

# 2000 JEEP CHEROKEE (XJ)

## PARTS CATALOG

ILLUSTRATION AND TEXT  
(CHASSIS - BODY - TRIM)

April 2002

**SUPERSEDES**  
April 2001  
ENGLISH



Jeep

CHRYSLER • PLYMOUTH • DODGE • JEEP

**THE MOPAR DIFFERENCE**

## INDEX TO INFORMATION PAGES

The use of this Parts Catalog and the arrangement of information herein is explained in the General Information Section as indexed below.

Abbreviations .....	INF-15
Alphabetic Index .....	INF-12
Body Code Plate Interpretation .....	INF-14
Catalog Groups - Titles & Contents .....	INF-2
How to Use This Catalog and Locate Parts .....	INF-10
Illustration Index .....	INF-12
Illustration Numbering Index .....	INF-11
Index.....	INF-1
Logical Illustration Index.....	INF-4
Logical Illustrations .....	INF-11
Numerical Index .....	INF-12
Page Numbering.....	INF-11
Part Packages .....	INF-12
Standard Parts.....	INF-12
Symbols Used in this Catalog.....	INF-11
VIN Plate Decoding Information .....	INF-13

## CATALOG GROUPS - TITLES & CONTENT

SXJ	Body Sheet Metal Except Doors
-----	-------------------------------

Group	Content
001	Component Parts for Mopar Accessories
002	Front Suspension & Drive
003	Rear Axle
004	Parking Brake
005	Service Brakes
006	Clutch
007	Cooling
008	Electrical
009	Engine Mounting
011	Exhaust
013	Frames and Bumpers
014	Fuel
016	Propeller Shafts and U-Joints
017	Rear Suspension
019	Steering
022	Wheels, Covers and Jacks
024	Air Conditioning & Heater
025	Emission Systems
08A	Instrument Panel and Radios and Consoles
2.5L4	Engine 2.5L Four Cylinder
2.5LD	Engine 2.5L Four Cylinder (Turbo Diesel)
21P	Speedometer Pinions
231	Transfer Case Model 231
23D	Wiper/Lock Cylinder and Keys
242	Transfer Case Model 242
30RH	Automatic Transmission 3 Speed
3550	Manual Transmission 5 Speed
4.0L	Engine 4.0L Six Cylinder
AW4	Automatic Transmission 4 Speed
AX	Manual Transmission 5 Speed
DXJ	Doors and Related Parts
EXJ	Exterior Ornamentation
IXJ	Interior Trim

## LOGICAL ILLUSTRATION INDEX

Group	Logical Illustration	Logical Illustration Name
001	100	Audio & Electronics
001	1000	4 - Wheeling & Off Road
001	200	Carriers & Cargo Hauling
001	300	Driving Convenience
001	400	Exterior Appearance
001	500	Exterior Protection
001	600	Fog Lights & Electrical
001	900	Security
002	100	Front Suspension & Strut
002	200	Front Axle Drive Shafts
002	300	Front Axle Housing
002	400	Front Axle Assembly
002	600	Front Axle Differential
003	100	Rear Axle
003	200	Differential and Housing
003	300	Rear Axle Vent
003	400	Rear Axle Shafts
004	100	Parking Brake Lever and Cables
005	100	Front Brakes
005	200	Rear Brakes
005	300	Power Brake Booster
005	400	Brake Master Cylinder
005	500	Brake Lines and Hoses
005	600	Brake Pedals
006	100	Clutch
006	200	Clutch Housing
006	300	Clutch Controls
006	400	Clutch Pedals
007	100	Radiator and Related Parts
007	200	Water Pump and Related Parts
007	300	Tank, Coolant Engine
007	400	Pulleys and Related Parts
007	500	Drive Belts

007	600	Lines, Transmission Oil Cooler
007	700	Grilles
008	100	Starters
008	1000	Battery Tray and Cables
008	1100	Lamps - Front, Rear and Courtesy
008	1200	Wiring-Engine & Related Parts
008	1300	Wiring-Headlamp to Dash
008	1400	Wiring-Instrument Panel
008	1500	Wiring-Body & Accessories
008	1600	Wiring Repair
008	1900	Spark Plugs-Cables-Coils
008	200	Alternators
008	300	Distributor
008	400	Modules
008	500	Relays
008	600	Sensors
008	700	Single Board Engine Controllers
008	800	Switches
008	900	Horns
009	100	Engine Mounting
011	100	Exhaust System
011	200	Heat Shields
013	200	Front Bumper and Fascia
013	300	Rear Bumper and Fascia
013	600	Trailer Tow
014	100	Tank, Fuel
014	1000	Speed Control
014	1100	Accelerator Pedal
014	200	Fuel Tank Filler Tube
014	300	Fuel Lines
014	400	Fuel Rail
014	500	Fuel Pump and Sending Unit
014	600	Throttle Body
014	700	Throttle Controls
014	800	Air Cleaner
014	900	Air Intake System

016	100	Propeller Shaft
017	100	Rear Suspension
019	100	Steering Wheel
019	200	Steering Column
019	300	Steering Gear
019	400	Steering Linkage
019	500	Power Steering Pump
019	700	Power Steering Hoses
022	100	Wheels and Hardware
022	200	Wheel Covers and Center Caps
022	300	Jack Stowage
022	400	Spare Tire Stowage
024	100	Air Conditioner and Heater Units
024	200	Air Conditioner and Heater Plumbing
024	300	Air Conditioner and Heater Controls
024	400	Air Conditioning Compressor
024	500	Air Conditioning Compressor Mounting
024	600	Air Ducts and Outlets
025	100	Emission Labels
025	200	EGR System
025	300	Vacuum Canister
025	400	Emission Harness
08A	100	Instrument Panel
08A	200	Instrument Panel Cluster
08A	300	Radio, Antenna, and Speakers
08A	400	Consoles
2.5L4	200	Cylinder Head
2.5L4	300	Cylinder Block
2.5L4	400	Crankshaft, Piston and Drive Plate
2.5L4	500	Camshafts & Valves
2.5L4	600	Timing Belt and Cover
2.5L4	700	Engine Oiling
2.5L4	800	Manifolds
2.5L4	900	Crankcase Ventilation
2.5LD	200	Cylinder Head
2.5LD	300	Cylinder Block

2.5LD	400	Crankshaft, Piston and Drive Plate
2.5LD	500	Camshafts & Valves
2.5LD	600	Timing Belt and Cover
2.5LD	700	Engine Oiling
2.5LD	800	Manifolds
2.5LD	900	Crankcase Ventilation
21P	100	Speedometer Pinions
231	100	Transfer Case Assembly
231	1200	Gearshift Controls
231	200	Case and Related Parts
231	400	Gear Train
231	900	Fork and Rails
23D	100	Lock Cylinders and Keys
23D	200	Windshield Wiper and Washer Systems
23D	300	Rear Wiper and Washer System
242	100	Transfer Case Assembly
242	1200	Gearshift Controls
242	200	Case and Related Parts
242	400	Gear Train
242	900	Fork and Rails
30RH	100	Transmission Assembly
30RH	1200	Gearshift Controls
30RH	200	Case and Extension
30RH	300	Oil Pump
30RH	400	Gear Train
30RH	500	Bands, Reverse and Kickdown
30RH	600	Governor
30RH	700	Valve Body
3550	100	Transmission Assembly
3550	1200	Gearshift Controls
3550	200	Case and Extension
3550	400	Gear Train
3550	900	Fork and Rails
4.0L	200	Cylinder Head
4.0L	300	Cylinder Block
4.0L	400	Crankshaft, Piston and Torque Converter

4.0L	500	Camshafts & Valves
4.0L	600	Timing Belt and Cover
4.0L	700	Engine Oiling
4.0L	800	Manifolds
4.0L	900	Crankcase Ventilation
AW4	100	Transmission Assembly
AW4	1200	Gearshift Controls
AW4	200	Case and Extension
AW4	300	Oil Pump
AW4	400	Gear Train
AW4	500	Bands, Reverse and Kickdown
AW4	700	Valve Body
AX	100	Transmission Assembly
AX	1200	Gearshift Controls
AX	200	Case and Extension
AX	400	Gear Train
AX	900	Fork and Rails
DXJ	100	Front Door
DXJ	200	Rear Door
DXJ	500	Exterior Mirror
DXJ	600	Weatherstrips and Seals
EXJ	100	Nameplates
EXJ	200	Moldings and Ornamentation
EXJ	300	Decals and Tapestripes
IXJ	100	Headliner and Visor
IXJ	1000	Lift Gate Trim
IXJ	200	Moldings, Scuff Plates
IXJ	300	Carpet and Tonneau Cover
IXJ	400	Door Trim Panels-Front and Sliding
IXJ	500	Front Seats and Attaching Parts
IXJ	600	Rear Seats and Attaching Parts
IXJ	700	Seat Belts-Front and Rear
IXJ	800	Adjusters, Covers, Shields, and Risers
SXJ	1100	Roof Panels
SXJ	1300	Liftgate Panel
SXJ	1600	Luggage Rack

SXJ	200	Floor Pans
SXJ	300	Plugs
SXJ	400	Front Fenders
SXJ	500	Hood & Hood Release
SXJ	600	Cowl and Dash Panel
SXJ	700	Glass and Rear View Mirror
SXJ	800	Aperture Panel
SXJ	900	Quarter Panel and Pillar

## HOW TO USE THIS CATALOG AND LOCATE PARTS

**This Catalog is divided into Part Groups in which illustrations for parts of a similar function and/or location are published. The Group contents listing on the next page shows the type of parts contained in each group. Tabs are provided or available to separate each group.**

Several methods may be used to locate a specific part:

**Option 1:** From the Group Contents listing. Select the group which would most logically contain the part to be found. Open the catalog to the beginning of that group. The first page of the group will contain the part. Turn to the selected illustration and locate the part by reviewing the illustration item numbers and associated text information following the illustration.

**Option 2:** If the "noun" name of the part you seek is known, an alphabetical index of Nouns and illustration titles is provided to assist in finding the part. Several keys may be found in this index.

RESERVOIR, Power Steering Oil Pump Group 19	Group Reference
ALTERNATOR All Engines 8-210	Illustration Reference
BELT, Front Seat Imdl/710/3	Illustration/Item Reference

Group by Model _____	_____
Illustration Number _____	_____
Item _____	_____

**Option 3:** If the part number is known but the applications need to be determined, refer to the numerical index. This index shows the group, illustration number and each part listed in the catalog. Multiple references mean the part is listed more than once.

**Option 4:** Other options such as group identifiers exist in these catalogs. For Example, Group 23 Body has been broken in sections, i.e. 23A Sheet Metal now is S(model code). Example: SGS for model GS. Group 23C Doors now is D(model code) ex. DGS. Group 23 Exterior Ornamentation now is E(model code). This same logic applies to the Interior Trim Section (ex. IGS).

The Group 9 Engine sections in prior parts catalogs had been numbered 9A, 9B, 9C, etc. There was no real meaning to this numbering scheme. In this new MACS produced catalog the group numbering scheme is as follows: 2.5LD means 2.5 Liter Diesel Engine; 2.0L means 2.0 Liter Four Cylinder Gas Engine; 3.3L6T means 3.3 Liter Six Cylinder Transverse Mounted Engine; and 3.8L means 3.8 Liter Six Cylinder Engine. Also note that Engine Mounting parts are located in Group 9.

## PAGE NUMBERING

Two-part page numbers are used throughout this catalog. The first part of the page designation indicates one major group or section. The second part indicates the actual page number in the group. For example:

2-1 indicates Group 2, Front Suspension, Page 1  
3-4 indicates Group 3, Axle Rear, Page 4

In the maintenance of the Loose Leaf Parts Catalog Revision Service, it may become necessary to add information beyond the capacity of the page. In this event, an "A" page will be used. For example, if it becomes necessary, because of change, to add several part numbers to page 2-1 and space does not permit the addition, you will be given Page 2-1A. Page 2-1A should be filed immediately following Page 2-1.

Figure and Item Numbers are also commonly used to identify locations in the Catalog, i.e., 14-910/8 refers to Group 14, illustration 910, Item Number 8. Illustration Numbers are always ascending sequential within the Groups.

## SYMBOLS USED IN THIS CATALOG

The Following symbols are commonly used with Part Number and Quantity information in this Catalog:

AR - Indicates the quantity required may vary or is to be determined by the user.

PAR - Indicates "Paint As Required"

BLANK - Indicates "All Condition"

- = "Not Illustrated"

## LOGICAL ILLUSTRATIONS

Refer to Illustration in front of each group. This will give assistance to as how each group is broken down and what Specific Illustration should be referenced.

## ILLUSTRATION NUMBERING INDEX

Illustration numbers in this Catalog are Group standards. This indicates group and consistent content. EXAMPLE: 8-100 is a Logical Illustration for Starters. 8-101 to 8-199 are Specific Illustrations used for Starters for all Catalogs. 8-200 will contain Alternators for all Catalogs and so on. Always refer to group index in front of each group.

## ILLUSTRATION INDEX

This index is a compilation of catalog parts description data with reference to illustrations, figures and key numbers as shown:

Fender ie; Model.....Group: S(Model) .....Illustration 410  
(Fender is located in Sheet Metal Section (S) in Illustration 410)

The first page of each group contains a listing of all illustrations and group breakdown within that group. Also refer to illustrations alphabetically listed in information section.

## ALPHABETIC INDEX

This index is a compilation of catalog parts description data with a reference to the location of the item by Group, Figure, and Key Number as shown in the following example:

Housing, w/Pump.....Group 7 Illustration 210 Item 10  
(Housing, w/Pump.....7-210/10)

The index will be expanded progressively as data is added to computer files. To locate a part by name refer to the Alphabetical Index. This index indicates the group and illustration and item number where the part is located. Alphabetical Index can be found in INF section of this Catalog.

## NUMERICAL INDEX

A listing of Part Numbers contained in the catalog. The numbers are in numerical sequence with reference to the group and Illustration and item number where the part is located.

## PARTS PACKAGES

Service Parts Packages, containing all parts needed for specific service operation, are listed in their respective groups with related parts. The listing will show adaptability and model application.

## STANDARD PARTS

Important attaching standard parts such as bolts, nuts, etc, are generally listed in the text of the respective major parts groups.

## VIN PLATE DECODING INFORMATION

<b>1</b>	<b>2</b>	<b>3</b>	<b>4</b>	<b>5</b>	<b>6</b>	<b>7</b>	<b>8</b>	<b>9</b>	<b>10</b>	<b>11</b>	<b>12 thru 17</b>
<b>Country</b>	<b>Make</b>	<b>Vehicle Type</b>	<b>Other</b>	<b>Line</b>	<b>Series</b>	<b>Body Style</b>	<b>Engine</b>	<b>Check Digit</b>	<b>Model Year</b>	<b>Assy. Plant</b>	<b>Sequence No.</b>

The following table interprets the VIN Plate positions shown above.

Position	Interpretation	Codes = Description
1	Country of Origin	1 = U.S.
2	Make	J = Jeep
3	Vehicle type	4 = Multipurpose Passenger Vehicle
4	GVWR & Pass. Safety	D=0-1360 kg (0-3000 lbs) E=1361-1814 kg (3001-4000 lbs) F=1815-2267 kg (4001-5000 lbs) G=2268-2721 kg (5001-6000 lbs) H=2722-3175 kg (6001-7000 lbs) J=3176-3628 kg (7001-8000 lbs) K=3629-4082 kg (8001-9000 lbs) L=4083-4535 kg (9001-10000 lbs) M=4536-6350 kg (10001-14000 lbs)
5	Vehicle Line	F = Cherokee 4x4 (LHD) J = Cherokee 4x4 (RHD) BUX w/ABB N = Cherokee 4x4 (RHD) w/o ABB B = Cherokee 4x2 (RHD) T = Cherokee 4x2 (LHD)
6	Series	2 = SE    4 = Sport    5 = Classic 6 = Limited    7 = Country
7	Body Style	8 =Sport Utility 4 Door 7 =Sport Utility 2 Door
8	Engine	P = 2.5L Power Tech (EPE)    S = 4.0L I6 (ERH) M = 2.5L Diesel (ENC)    H = 2.5L Leaded (EPE) V = 4.0L Leaded (ERH)
9	Check Digit	
10	Model Year	Y = 2000
11	Assembly Plant	L = Toledo #1
12 thru 17	Vehicle Build Sequence	Model Year Assembly Sequence

## BODY CODE PLATE INTERPRETATION

The Body Code Plate is located on the Left Front Side Shield or Wheel Housing or the Upper Radiator Support. The Plate contains 7 rows of data. The bottom 3 rows are reserved for the specific information as depicted below. Starting at the fourth row (following the reserved portion), other Sales Codes used to build a specific vehicle are listed in the ascending order by ALPHA sequence.

1	2	3	4	5	6	7	8	9	10	11	12	13	14	15	16	17	18	19	20	21
22	23	24	25	26	27	28	29	30	31	32	33	34	35	36	37	38	39			
40	41	42	43	44	45	46	47	48	49	50	51	52	53	54	55	56	57	58	59	60

1-12	VEHICLE ORDER NUMBER
13-15	VINYL ROOF CODE/DOOR COMBO CODES
16-18	VEHICLE SHELL CAR LINE
19	PRICE CLASS
20-21	BODY TYPE
22-24	PAINT PROCEDURE
25-28	PRIMARY PAINT
29-32	SECONDARY PAINT
33-36	INTERIOR TRIM CODE
37-39	ENGINE CODES
40-42	TRANSMISSION CODES
43	MARKET CODES
44-46	VEHICLE IDENTIFICATION NUMBER (VIN) For definition of the Elements and the individual position see Vin Plate Defined.

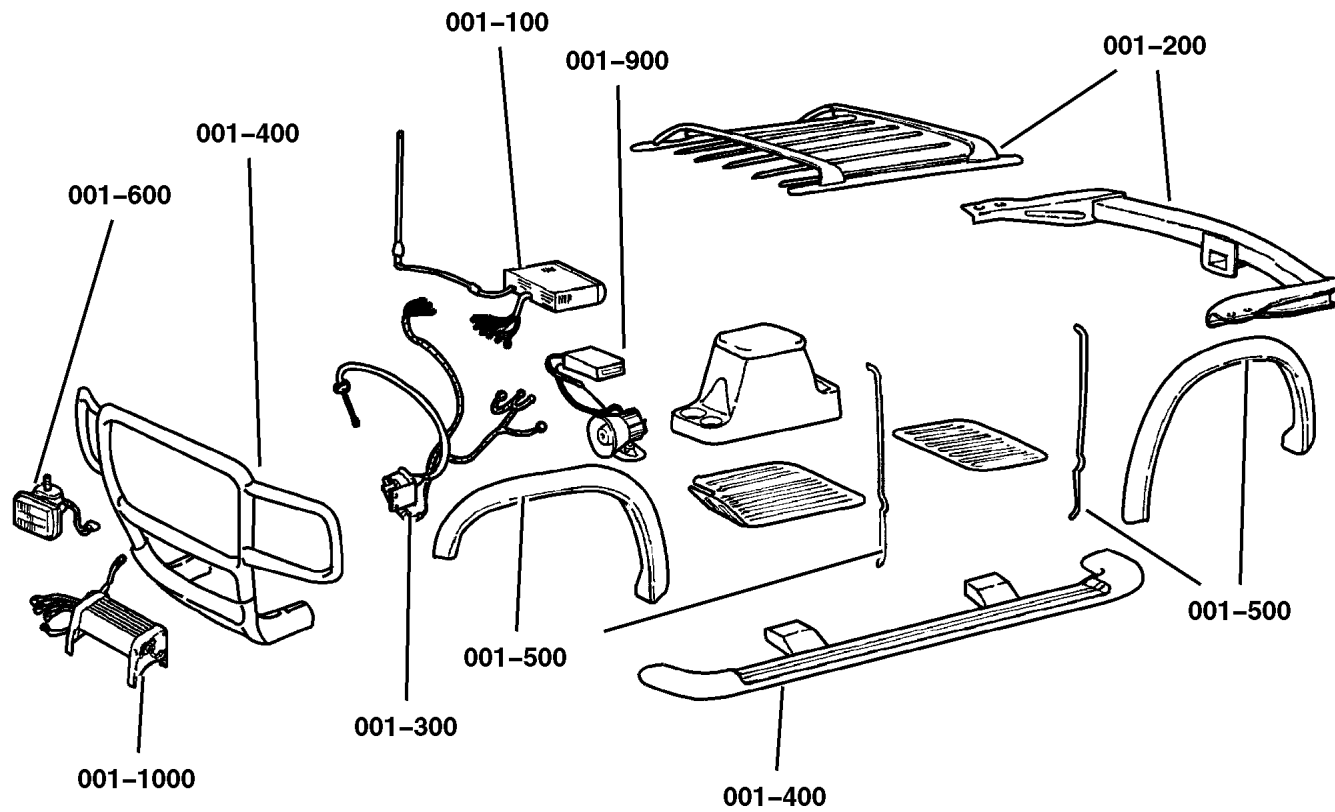
## ABBREVIATIONS

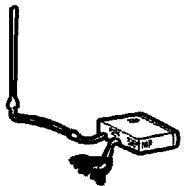


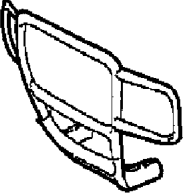

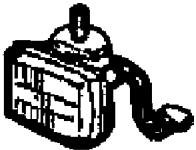

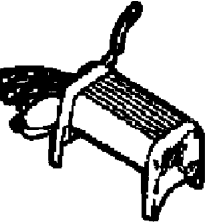
A/C	Air Conditioner
ABS	Anti-Lock Brakes System
AR	As Required
ATC	Automatic Temperature Control
AWD	All Wheel Drive
BUX	Built Up Export
CV	Constant Velocity
DOHC	Dual (or Double) OverHead Cam
EFI	Electronic Fuel Injection
EGR	Exhaust Gas Recirculation
ECU	Electronic Control Unit
FWD	Front Wheel Drive
HEX	HEXagon
HCU	Hydraulic Control Unit
I/D	Inside Diameter
L	Liter
LED	Light Emitting Diode
MAP	Manifold Absolute Pressure
MPH	Miles Per Hour
O/D	Outside Diameter
P/S	Power Steering
PSI	Pounds per Square Inch
PSF	Pounds per Square Foot
PRNODL	Park, Reverse, Neutral, Overdrive, Drive, Low
PRNDL	Park, Reverse, Neutral, Drive, Low
PTO	Power Take Off
RFI	Radio Frequency Interference
RPM	Revolutions Per Minute
RTV	Room Temperature Vulcanizer (sealant)
T/BODY	Throttle BODY
U/BODY	Under BODY
SOHC	Single OverHead Cam
PAR	Paint As Required



# Group - 001

## Component Parts for Mopar Accessories



<p><b>001-100</b> Audio &amp; Electronics</p> 	<p><b>001-200</b> Carriers &amp; Cargo Hauling</p> 	<p><b>001-300</b> Driving Convenience</p> 	<p><b>001-400</b> Exterior Appearance</p> 
<p><b>001-500</b> Exterior Protection</p> 	<p><b>001-600</b> Fog Lights &amp; Electrical</p> 	<p><b>001-900</b> Security</p> 	<p><b>001-1000</b> 4 - Wheeling &amp; Off Road</p> 

## GROUP 1 - Component Parts for Mopar Accessories

Illustration Title Group-Fig. No.

### Audio & Electronics

Player Kit - CD Changer - 12 Disc ..... Fig. 001-112

### Carriers & Cargo Hauling

Bike Carrier - Hitch Mount Fold-Down Style ..... Fig. 001-210  
 Bike Carrier - Roof Mount Fork Mount Style ..... Fig. 001-215  
 Carrier Kit - Canoe ..... Fig. 001-220  
 Carrier Kit - Water Sports ..... Fig. 001-222  
 Ski Carrier - Hitch Mount ..... Fig. 001-230  
 Carrier Kit - Ski (Two Pair) Roof Mount ..... Fig. 001-232  
 Carrier Kit - Ski (Four Pair) Roof Mount ..... Fig. 001-234  
 Tire Carrier - Roof Mount ..... Fig. 001-240  
 Luggage Rack Package, Roof ..... Fig. 001-260  
 Utility Bar Package - Roof ..... Fig. 001-262  
 Carrier Kit - Multipurpose Airporter ..... Fig. 001-270  
 Carrier Kit - Basket Type ..... Fig. 001-272  
 Luggage Carrier - Roof Mount ..... Fig. 001-274  
 Trailer Tow Kit ..... Fig. 001-280  
 Wiring Kit - Trailer Tow ..... Fig. 001-285  
 Cooler Kit - Transmission Oil ..... Fig. 001-290

### Driving Convenience

Mounting Kit - Cellular Phone ..... Fig. 001-310

### Exterior Appearance

Step Kit - Side Tubular ..... Fig. 001-410

### Exterior Protection

Shield Kit ..... Fig. 001-510  
 Skid Plate - Front ..... Fig. 001-520  
 Skid Plate - Transfer Case ..... Fig. 001-522  
 Skid Plate - Fuel Tank ..... Fig. 001-524

### Fog Lights & Electrical

Light Package - Fog ..... Fig. 001-610  
 Instalation Kit - Fog Lamp ..... Fig. 001-616  
 Heater Kit Engine Block ..... Fig. 001-620

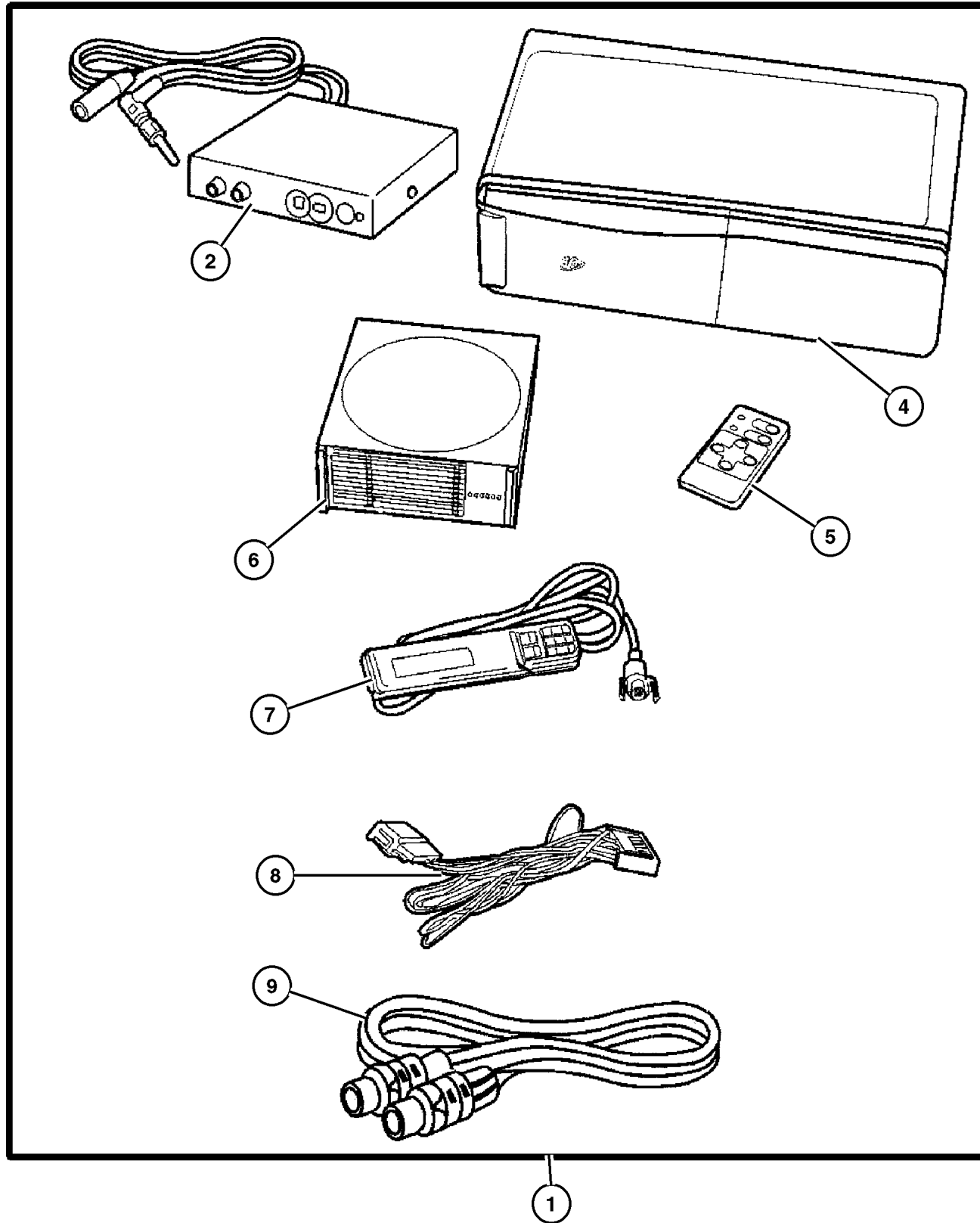
### Security

Alarm - EVS Base System ..... Fig. 001-910  
 Alarm - EVS Plus System ..... Fig. 001-915

### 4 - Wheeling & Off Road

Guard - Rock Rails ..... Fig. 001-1020  
 Winch Kit - Power ..... Fig. 001-1030

**Player Kit - CD Changer - 12 Disc  
Figure 001-112**



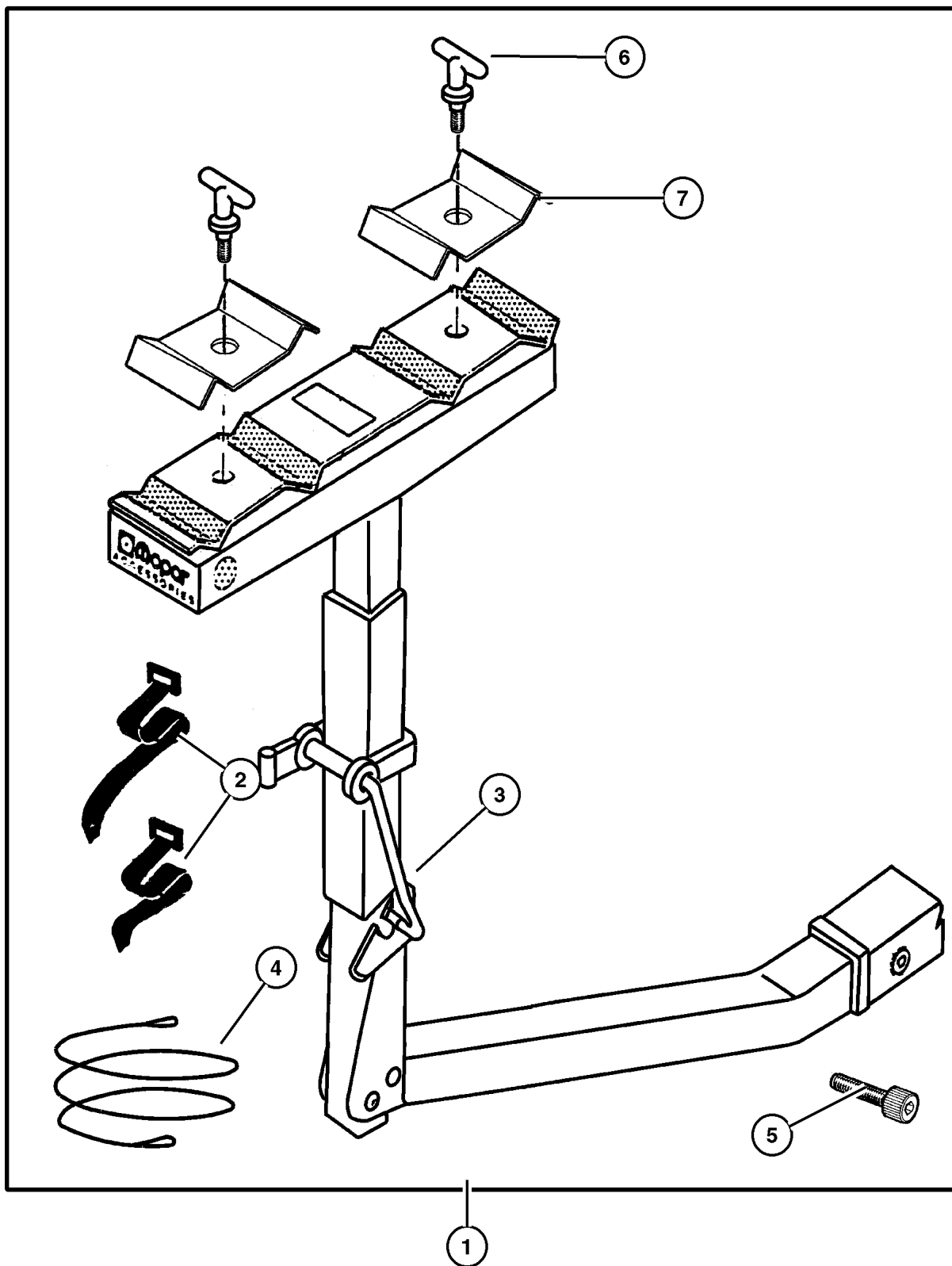
ITEM	PART NUMBER	QTY	LINE	BODY	DESCRIPTION
NOTE; For radio without CD controls. Pentastar Logo, Includes RF Modulator, Power Cord, Din Cord, Hand Held and IR Remote Controller and Operating manual, 12 Disc Magazine.					
1	8220 4730	1	J, T	72, 74	PLAYER KIT, CD Changer - 12 Disc
2	5013 804AA	1	J, T	72, 74	MODULATOR, FM
-3	5013 800AA	1	J, T	72, 74	HARDWARE KIT, Mounting
4	5013 806AA	1	J, T	72, 74	CHANGER, CD
5	5013 802AA	1	J, T	72, 74	CONTROLLER, CD Wireless
6	5013 805AA	1	J, T	72, 74	MAGAZINE, CD Changer
7	5013 803AA	1	J, T	72, 74	CONTROLLER, CD Wired
8	4465 117	1	J, T	72, 74	ADAPTOR, A/C
9	5013 801AA	1	J, T	72, 74	DIN CORD, CD Player, 5 Meter

JEEP CHEROKEE (XJ)				
SERIES	LINE	BODY	ENGINE	TRANSMISSION
P=Classic	J=LHD (4WD)	74=4 Dr.(101.4WB)	ENC,EN0=2.5L 4 cyl. Turbo Die	DDD, DDQ=5 spd. Man.
S=Limited	U=RHD (4WD)	72=2 Dr.(101.4WB)	ERH,ER0=4.0L Power Tech I-6	DGS=4 spd. Auto. AISIN
H=Sport	T=LHD (2WD)		EPE,EP0=Magnum 2.5L SMPI	DG0=All Auto/Trans.
L=SE	B=RHD (2WD)			DBB=All Manual Trans.

AR = Use as required - = Non illustrated part # = New this model year

April 5, 2002

**Bike Carrier - Hitch Mount Fold-Down Style  
Figure 001-210**



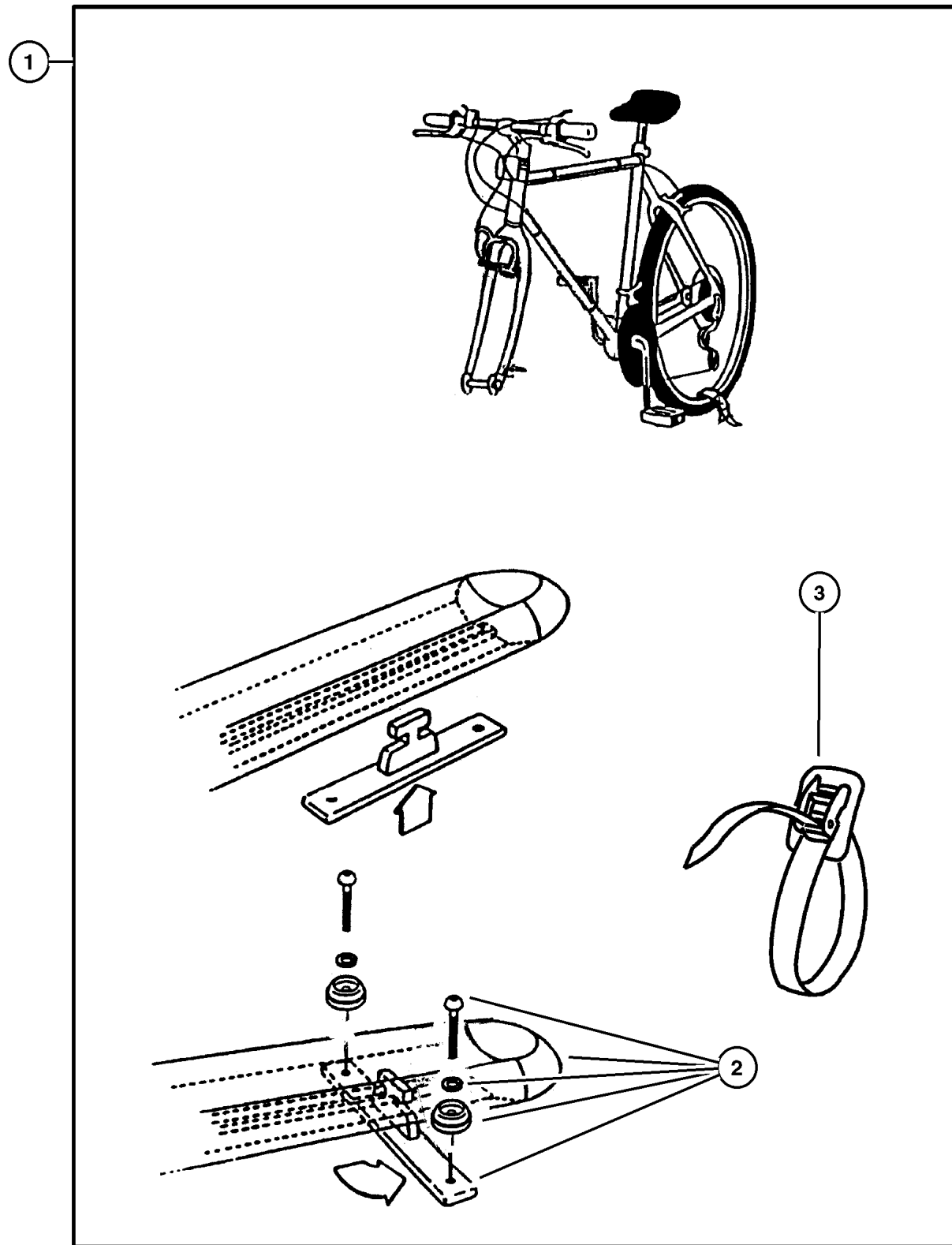
ITEM	PART NUMBER	QTY	LINE	BODY	DESCRIPTION
1					CARRIER KIT, Bike, 2 inch hitch opening
	8220 4328	1	J, T	72, 74	Four Bike
	8220 4453	1	J, T	72, 74	Two Bike
2	4762 880	1			STRAP KIT, Velcro, Consists of: 1-Long and 1-Short
3	5016 775AA	1	J, T	74	STRAP KIT, Bike Carrier Latch, Consists of: Two- Rubber Straps
4	4762 882	1			LOCK KIT, Bike Carrier Handle
5	5016 776AA	1	J, T	72, 74	BOLT KIT, Security
6	5016 610AA	1	J, T	72, 74	HARDWARE KIT, Accessory, T-Handle
7	5016 657AA	1	J, T	72, 74	HARDWARE KIT, Accessory, Top Clamp - 82204328 uses 2 Total

JEEP CHEROKEE (XJ)				
SERIES	LINE	BODY	ENGINE	TRANSMISSION
P=Classic	J=LHD (4WD)	74=4 Dr.(101.4WB)	ENC,EN0=2.5L 4 cyl. Turbo Die	DDD, DDQ=5 spd. Man.
S=Limited	U=RHD (4WD)	72=2 Dr.(101.4WB)	ERH,ER0=4.0L Power Tech I-6	DGS=4 spd. Auto. AISIN
H=Sport	T=LHD (2WD)		EPE,EP0=Magnum 2.5L SMPI	DG0=All Auto/Trans.
L=SE	B=RHD (2WD)			DBB=All Manual Trans.

AR = Use as required - = Non illustrated part # = New this model year

April 5, 2002

**Bike Carrier - Roof Mount Fork Mount Style  
Figure 001-215**



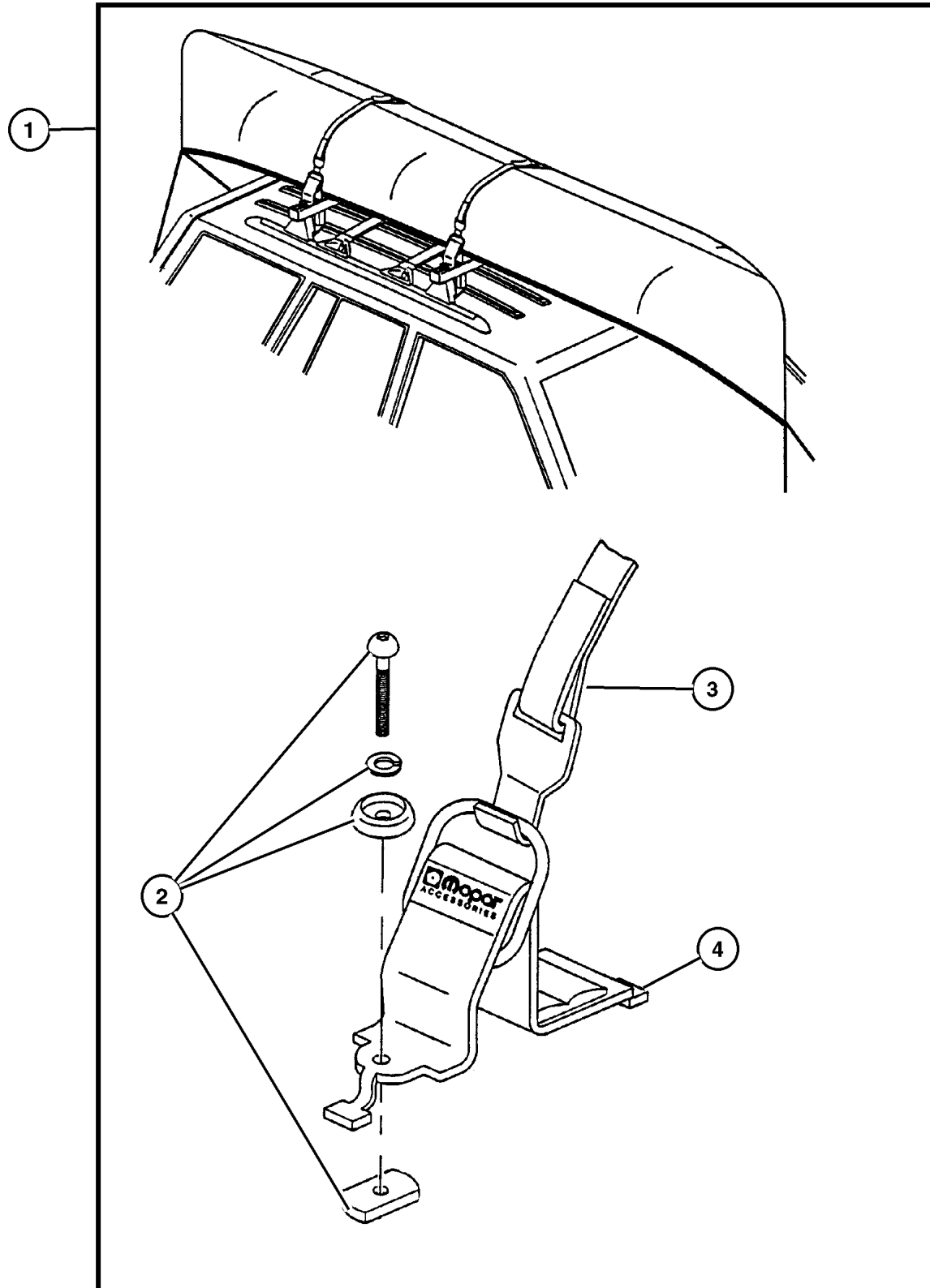
ITEM	PART NUMBER	QTY	LINE	BODY	DESCRIPTION
					manual, 12 Disc Magazine.
					manual, 12 Disc Magazine.
					NOTE: Hardware Kit also contained in Carrier Kit. manual, 12 Disc Magazine.
					NOTE: Carrier Kit has Upright Clamp for bike. manual, 12 Disc Magazine.
1	8230 0585	1	J, T	72, 74	CARRIER KIT, Bike, Fork - Mount
2	5016 512AA	1	J, T	72, 74	HARDWARE KIT, Accessory, Consists of:2 T-Slot Bars, 4 Round Dome Washers, 4 M6X1.0X16MM Machine Screws, 2 M6 Lockwashers
3	5016 513AA	1	J, T	72, 74	STRAP, Cargo Tie Down, Consists of ; 2 Straps for securing the tire(s) onto the rack.NOTE: 82300585 only needs one strap but will receive 2 in this kit.

JEEP CHEROKEE (XJ)				
SERIES	LINE	BODY	ENGINE	TRANSMISSION
P=Classic	J=LHD (4WD)	74=4 Dr.(101.4WB)	ENC,EN0=2.5L 4 cyl. Turbo Die	DDD, DDQ=5 spd. Man.
S=Limited	U=RHD (4WD)	72=2 Dr.(101.4WB)	ERH,ER0=4.0L Power Tech I-6	DGS=4 spd. Auto. AISIN
H=Sport	T=LHD (2WD)		EPE,EP0=Magnum 2.5L SMPI	DG0=All Auto/Trans.
L=SE	B=RHD (2WD)			DBB=All Manual Trans.

AR = Use as required - = Non illustrated part # = New this model year

April 5, 2002

Carrier Kit - Canoe  
Figure 001-220



ITEM	PART NUMBER	QTY	LINE	BODY	DESCRIPTION
------	-------------	-----	------	------	-------------

NOTE: Use only with Sport Utility Bar manual, 12 Disc Magazine.

NOTE: Hardware Kit also contained in Carrier Kit manual, 12 Disc Magazine.

1	8220 4700	1	J, T	72, 74	CARRIER KIT, Water Sports
2	5016 389AA	1	J, T	72, 74	HARDWARE KIT, Accessory, Consists of: 4-25MM Button Head Screws, 4-30MM Button Head Screws, 4 Lock Washers, 4 Dome Washers, 4 T-Nuts
3	5016 511AA	1	J, T	72, 74	STRAP, Cargo Tie Down
4	5016 510AA	1	J, T	72, 74	BRACKET, Cargo Tie Down

JEEP CHEROKEE (XJ)

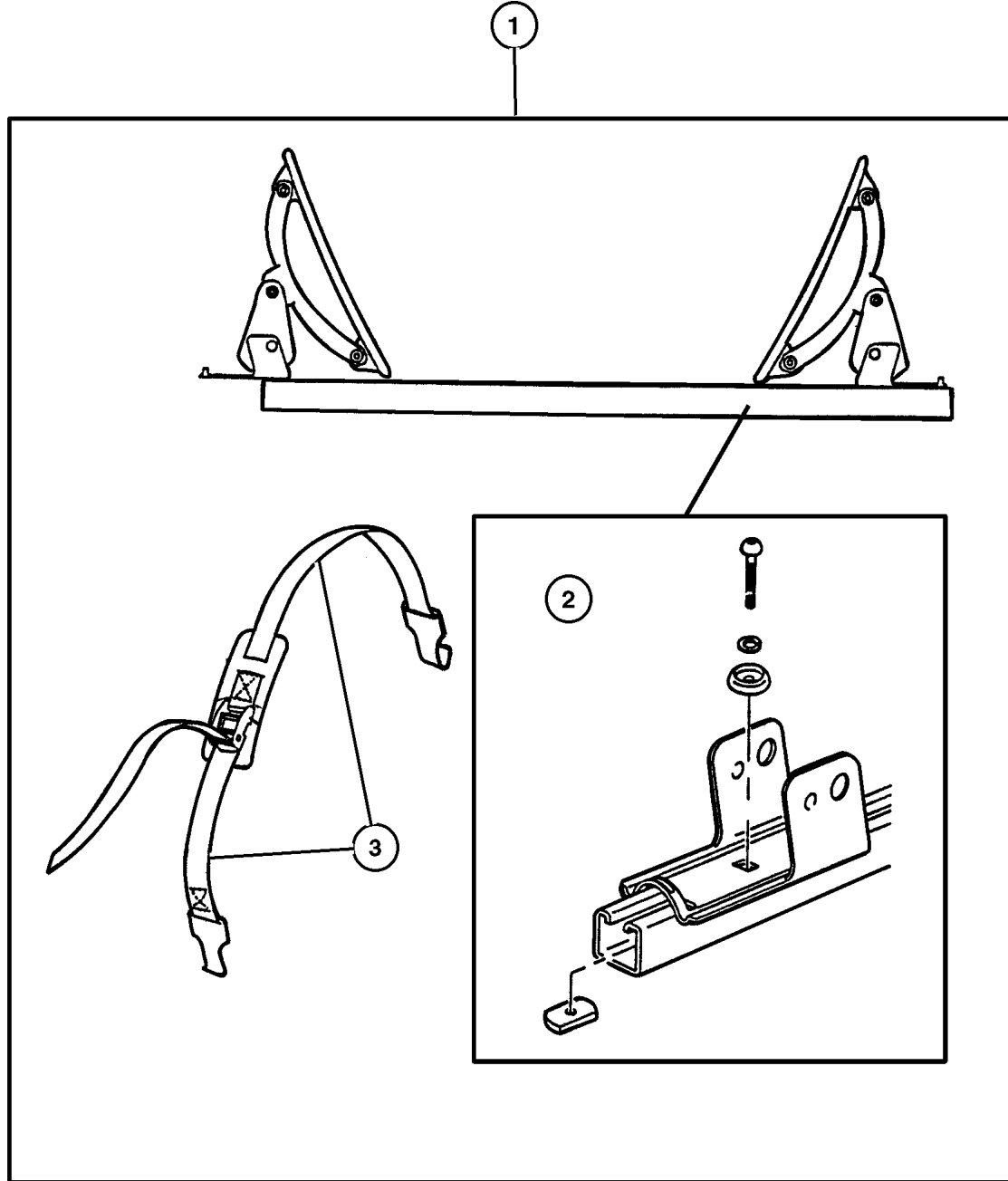
SERIES	LINE	BODY	ENGINE	TRANSMISSION
P=Classic	J=LHD (4WD)	74=4 Dr.(101.4WB)	ENC,EN0=2.5L 4 cyl. Turbo Die	DDD, DDQ=5 spd. Man.
S=Limited	U=RHD (4WD)	72=2 Dr.(101.4WB)	ERH,ER0=4.0L Power Tech I-6	DGS=4 spd. Auto. AISIN
H=Sport	T=LHD (2WD)		EPE,EP0=Magnum 2.5L SMPI	DG0=All Auto/Trans.
L=SE	B=RHD (2WD)			DBB=All Manual Trans.

AR = Use as required - = Non illustrated part # = New this model year

April 5, 2002

Carrier Kit - Water Sports  
 Figure 001-222

ITEM	PART NUMBER	QTY	LINE	BODY	DESCRIPTION
1	8220 4701	1	J, T	72, 74	CARRIER KIT, Water Sports
2	5016 389AA	1	J, T	72, 74	HARDWARE KIT, Accessory, Consists of: 4-25 MM Button Head Screws, 4-30MM Button Head Screws, 4- Dome Washers, 4- Rubber Washers and 4- T-Nuts
3	5016 511AA	1	J, T	72, 74	STRAP, Cargo Tie Down

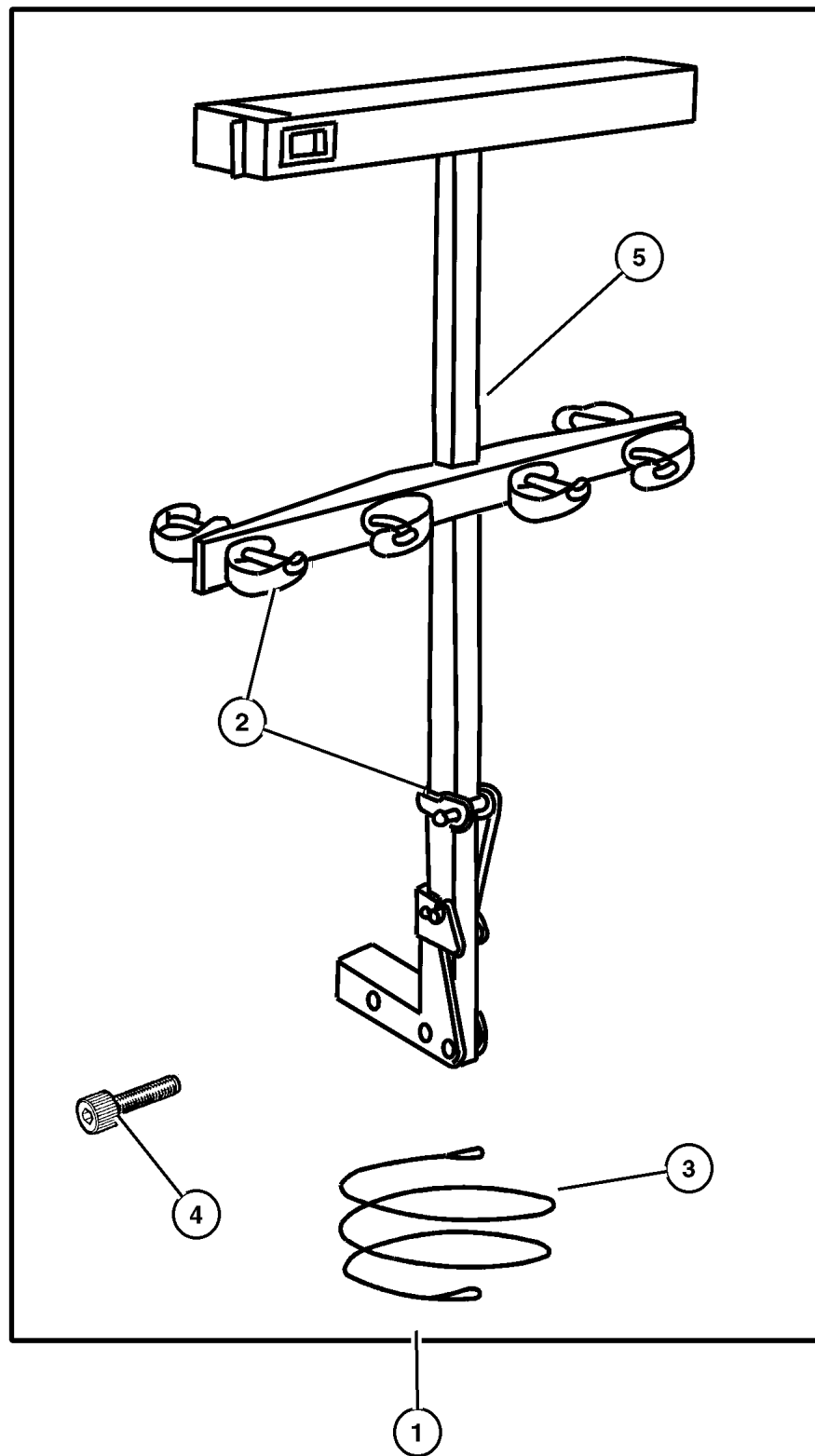


JEEP CHEROKEE (XJ)				
SERIES	LINE	BODY	ENGINE	TRANSMISSION
P=Classic	J=LHD (4WD)	74=4 Dr.(101.4WB)	ENC,EN0=2.5L 4 cyl. Turbo Die	DDD, DDQ=5 spd. Man.
S=Limited	U=RHD (4WD)	72=2 Dr.(101.4WB)	ERH,ER0=4.0L Power Tech I-6	DGS=4 spd. Auto. AISIN
H=Sport	T=LHD (2WD)		EPE,EP0=Magnum 2.5L SMPI	DG0=All Auto/Trans.
L=SE	B=RHD (2WD)			DBB=All Manual Trans.

AR = Use as required - = Non illustrated part # = New this model year

April 5, 2002

Ski Carrier - Hitch Mount  
Figure 001-230



ITEM	PART NUMBER	QTY	LINE	BODY	DESCRIPTION
1	8220 4454	1	J, T	72, 74	CARRIER KIT, Ski - 4 Pair
2	4762 881	1	J, T	72, 74	STRAP KIT, Bike Carrier Latch, Consists of: 2 - Rubber Straps
3	4762 882	1	J, T	72, 74	LOCK KIT, Bike Carrier Handle
4	5016 774AA	1	J, T	72, 74	BOLT KIT, Security, Consists of: 1- Security Bolt, 1- Security Wrench, 1- Washer, 1- Nut.
5	5016 610AA	1	J, T	72, 74	HARDWARE KIT, Accessory

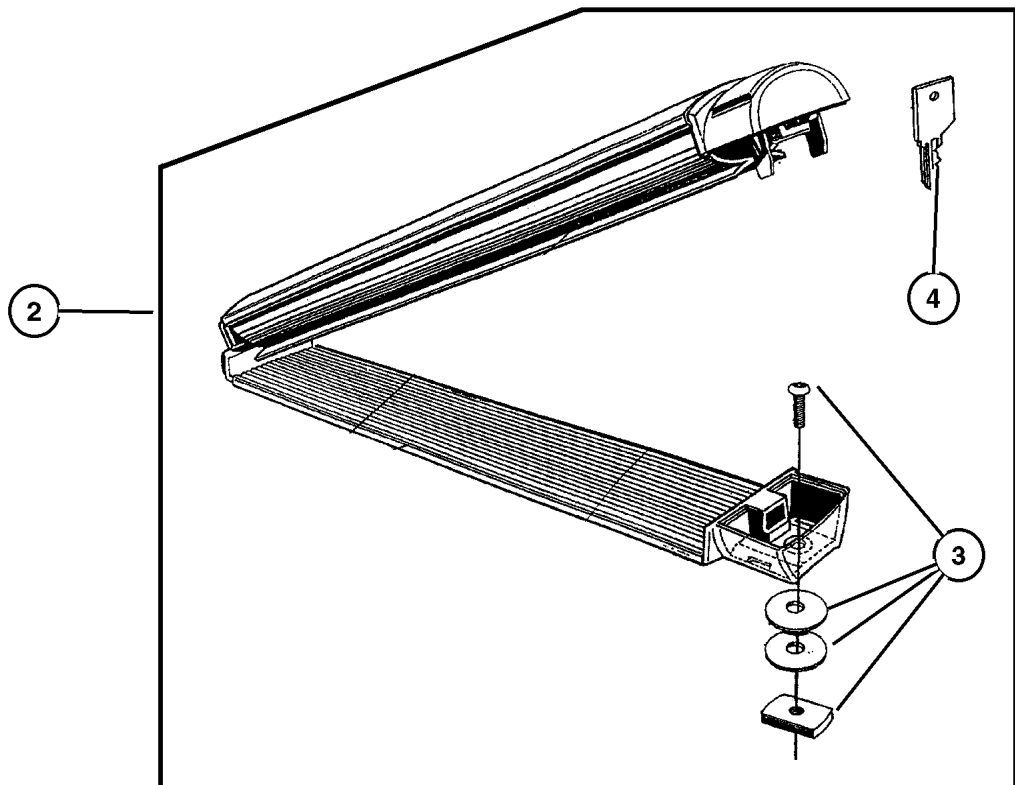
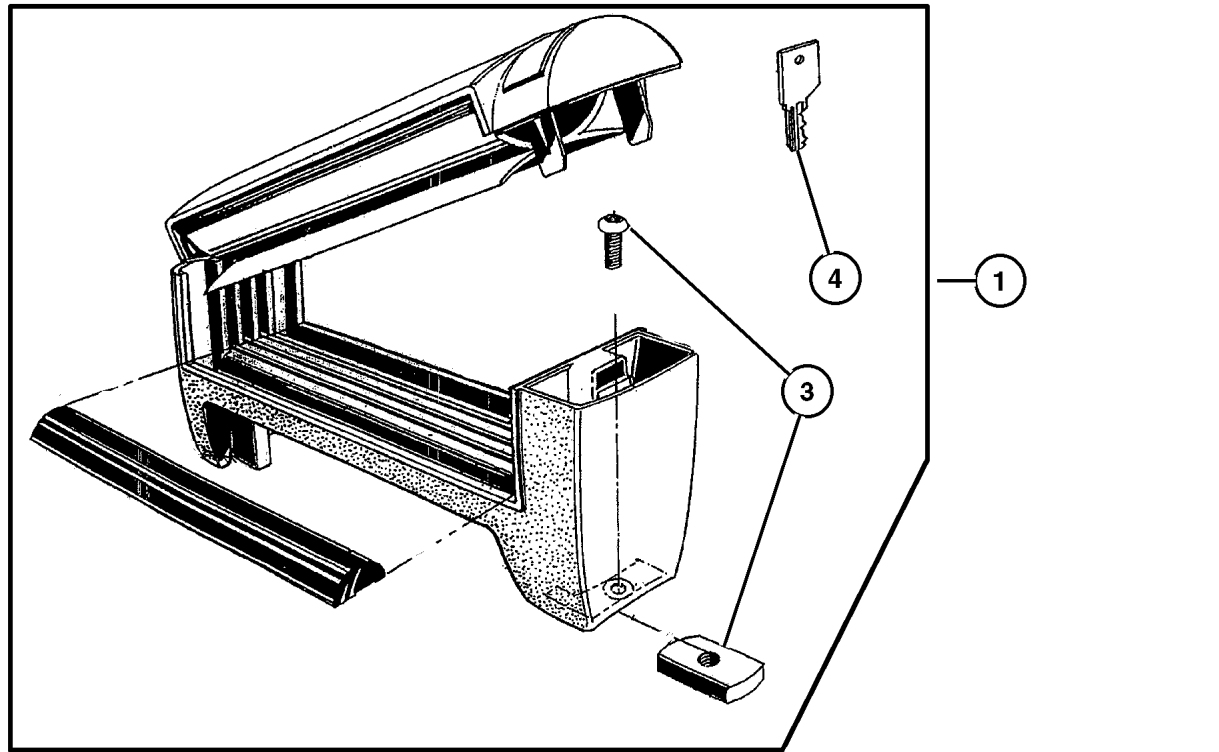
JEEP CHEROKEE (XJ)				
SERIES	LINE	BODY	ENGINE	TRANSMISSION
P=Classic	J=LHD (4WD)	74=4 Dr.(101.4WB)	ENC,EN0=2.5L 4 cyl. Turbo Die	DDD, DDQ=5 spd. Man.
S=Limited	U=RHD (4WD)	72=2 Dr.(101.4WB)	ERH,ER0=4.0L Power Tech I-6	DGS=4 spd. Auto. AISIN
H=Sport	T=LHD (2WD)		EPE,EP0=Magnum 2.5L SMPI	DG0=All Auto/Trans.
L=SE	B=RHD (2WD)			DBB=All Manual Trans.

AR = Use as required - = Non illustrated part # = New this model year

April 5, 2002

**Carrier Kit - Ski (Two Pair) Roof Mount**  
**Figure 001-232**

ITEM	PART NUMBER	QTY	LINE	BODY	DESCRIPTION
1	8220 3474	1			CARRIER KIT, Ski - 2 Pair, High Mount
2	8220 3472	1			CARRIER KIT, Ski
3	#5019 077AA	1			HARDWARE KIT, Mounting High Mount
	5018 389AA	1			
4					KEY, Master, (NOT SERVICED)
-5	5016 513AA	1			STRAP, Cargo Tie Down, Use with 2 Pair



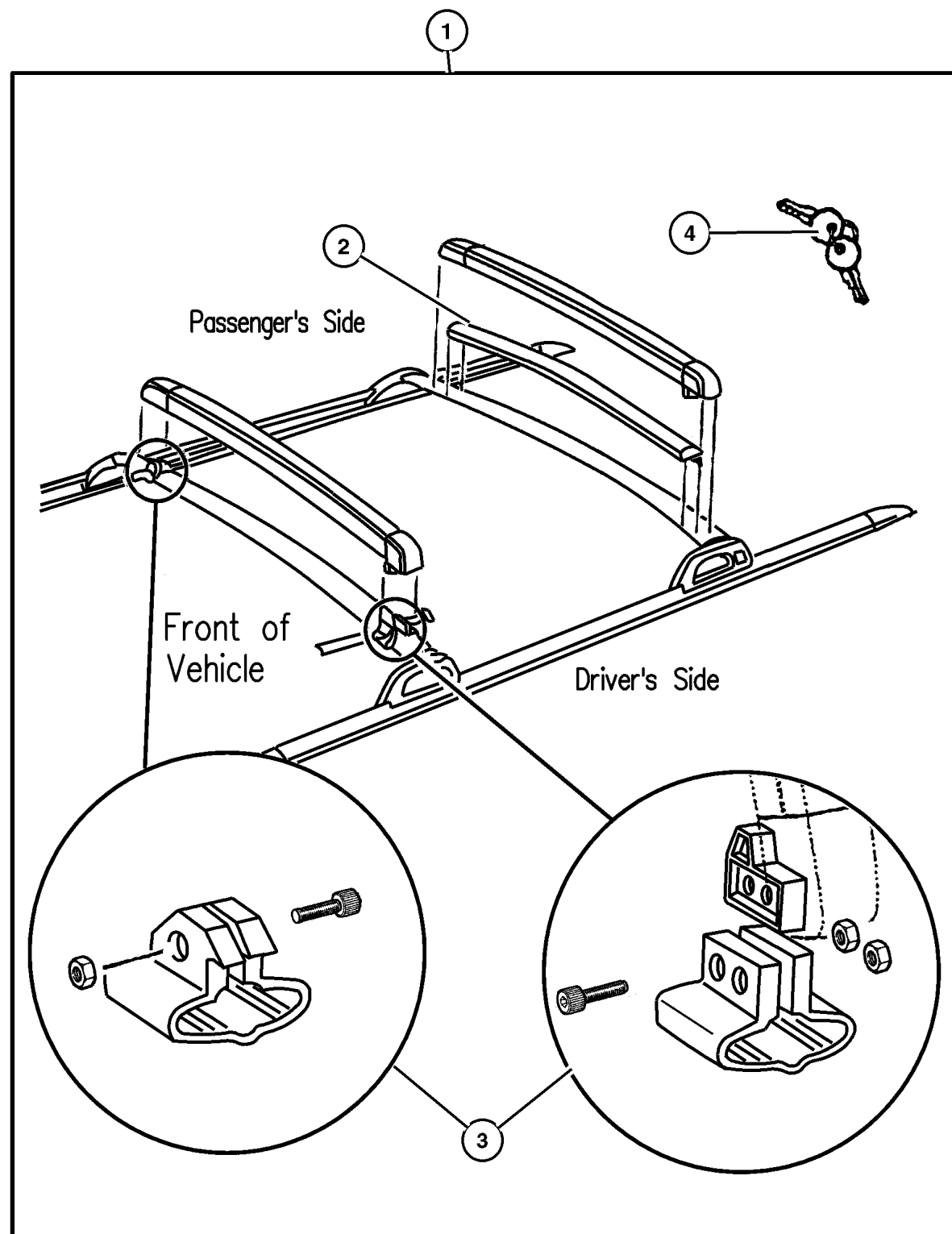
<b>JEEP CHEROKEE (XJ)</b>				
SERIES	LINE	BODY	ENGINE	TRANSMISSION
P=Classic	J=LHD (4WD)	74=4 Dr.(101.4WB)	ENC,EN0=2.5L 4 cyl. Turbo Die	DDD, DDQ=5 spd. Man.
S=Limited	U=RHD (4WD)	72=2 Dr.(101.4WB)	ERH,ER0=4.0L Power Tech I-6	DGS=4 spd. Auto. AISIN
H=Sport	T=LHD (2WD)		EPE,EP0=Magnum 2.5L SMPI	DG0=All Auto/Trans.
L=SE	B=RHD (2WD)			DBB=All Manual Trans.

AR = Use as required - = Non illustrated part # = New this model year

April 5, 2002



**Carrier Kit - Ski (Four Pair) Roof Mount**  
**Figure 001-234**



ITEM	PART NUMBER	QTY	LINE	BODY	DESCRIPTION
1	8220 4101	1	J, T	72, 74	CARRIER KIT, Ski - 4 Pair
2	4797 617	1	J, T	72, 74	PAD, Crossbar, Comes in 36 Inches - Cut to Size.
3	4797 618	1			HARDWARE KIT, Accessory
4	4796 058	1	J, T	72, 74	LOCK KIT, Carrier, Consists of: 2 Lock Assy. with Keys and 2- Clips

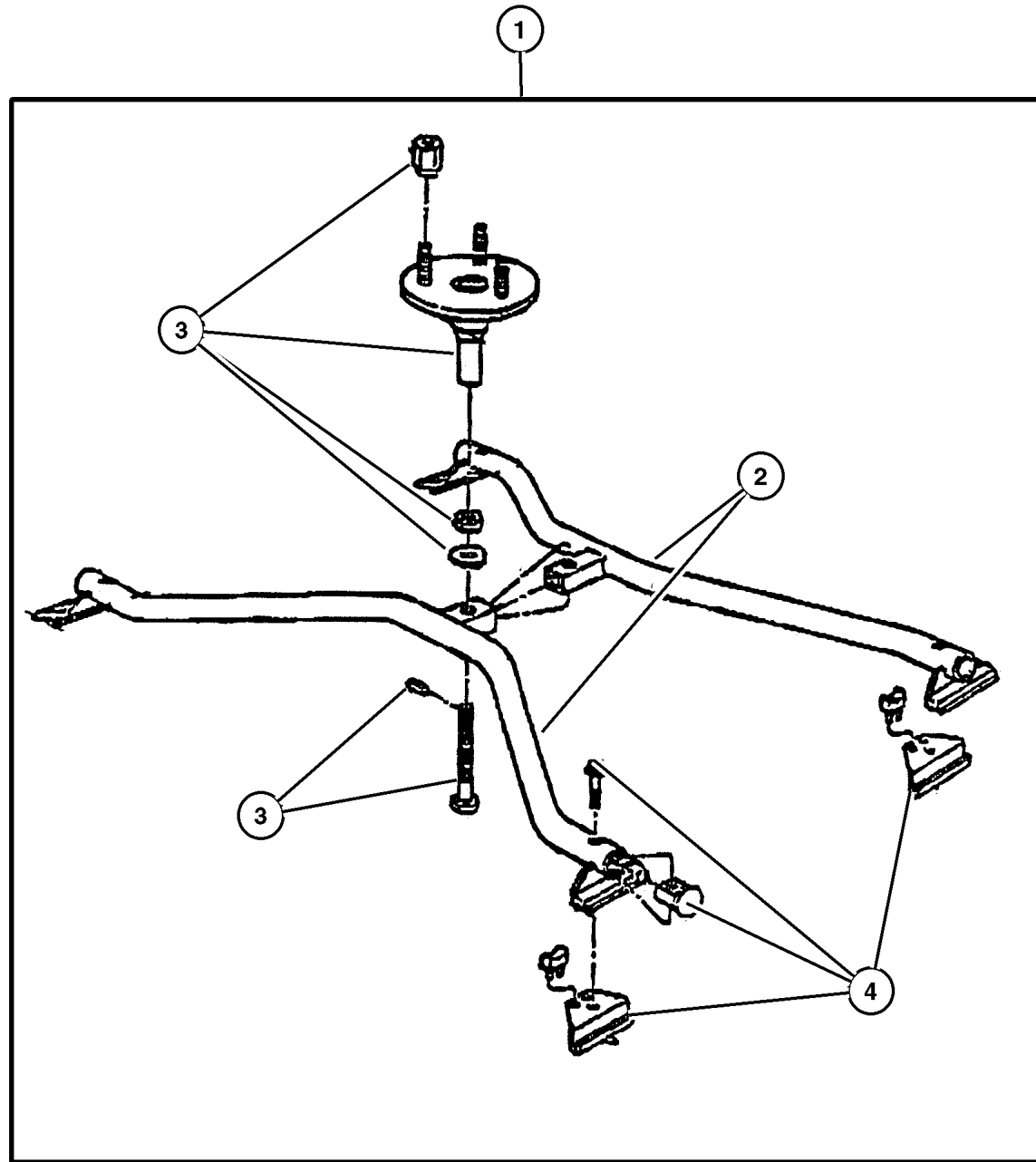
JEEP CHEROKEE (XJ)				
SERIES	LINE	BODY	ENGINE	TRANSMISSION
P=Classic	J=LHD (4WD)	74=4 Dr.(101.4WB)	ENC,EN0=2.5L 4 cyl. Turbo Die	DDD, DDQ=5 spd. Man.
S=Limited	U=RHD (4WD)	72=2 Dr.(101.4WB)	ERH,ER0=4.0L Power Tech I-6	DGS=4 spd. Auto. AISIN
H=Sport	T=LHD (2WD)		EPE,EP0=Magnum 2.5L SMPI	DG0=All Auto/Trans.
L=SE	B=RHD (2WD)			DBB=All Manual Trans.

AR = Use as required - = Non illustrated part # = New this model year

April 5, 2002

**Tire Carrier - Roof Mount  
Figure 001-240**

ITEM	PART NUMBER	QTY	LINE	BODY	DESCRIPTION
1	8220 3257	1	J, T	72, 74	CARRIER KIT, Tire-Roof Rack Mount
2					FRAME, Sedrviced in Assembly, (NOT SERVICED)
3	#5019 304AA	1	J, T	72, 74	HARDWARE KIT, Tire-Roof Rack Mount, Tire to Carrier
4	#5019 305AA	1	J, T	72, 74	HARDWARE KIT, Tire-Roof Rack Mount, Carrier to Roof Rack

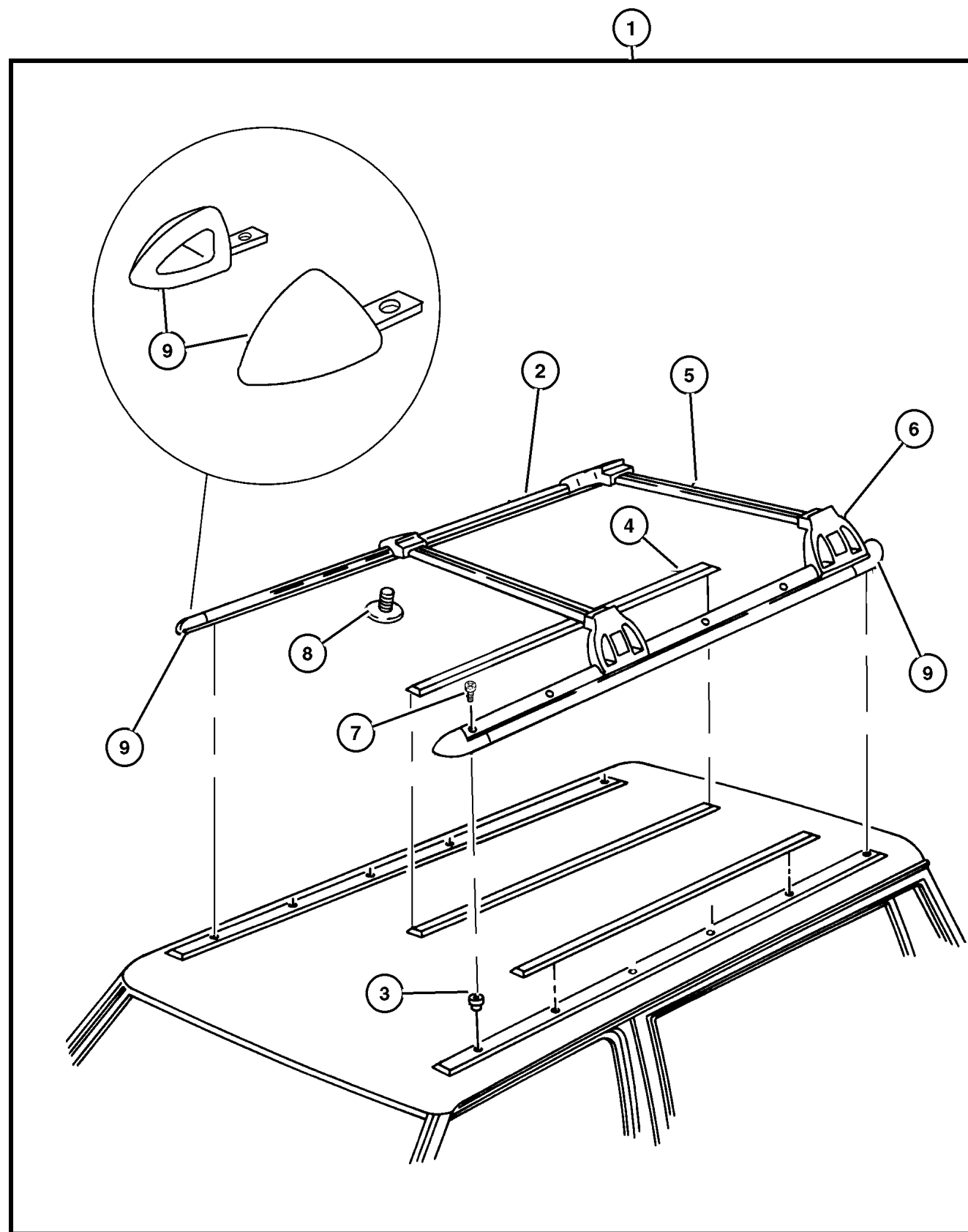


JEEP CHEROKEE (XJ)				
SERIES	LINE	BODY	ENGINE	TRANSMISSION
P=Classic	J=LHD (4WD)	74=4 Dr.(101.4WB)	ENC,EN0=2.5L 4 cyl. Turbo Die	DDD, DDQ=5 spd. Man.
S=Limited	U=RHD (4WD)	72=2 Dr.(101.4WB)	ERH,ER0=4.0L Power Tech I-6	DGS=4 spd. Auto. AISIN
H=Sport	T=LHD (2WD)		EPE,EP0=Magnum 2.5L SMPI	DG0=All Auto/Trans.
L=SE	B=RHD (2WD)			DBB=All Manual Trans.

AR = Use as required - = Non illustrated part # = New this model year

April 5, 2002

Luggage Rack Package, Roof  
Figure 001-260



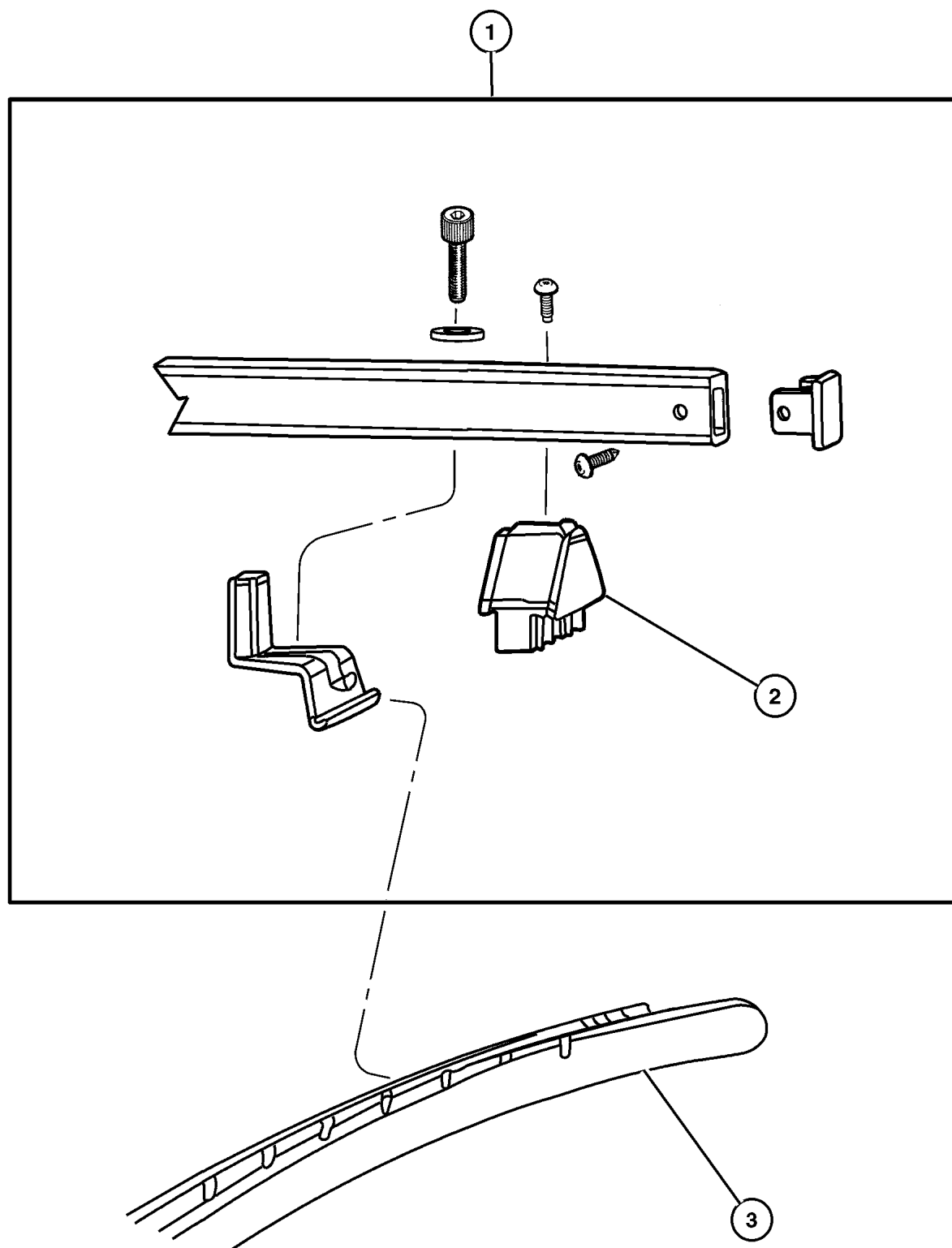
ITEM	PART NUMBER	QTY	LINE	BODY	DESCRIPTION
1	8220 6323	1			RACK KIT, Roof
2	55235 999AA	2			RAIL, Luggage Rack Side
3	6503 910	10			NUT
4	55075 106AB	4			SKID STRIP, Roof Rack
5	55235 978AA	2			CROSS BAR, Roof Rack
6					STANCHION, LUGG RACK CROSS RAIL
	55076 028AB	2			Right
	55076 029AB	2			Left
7	6505 937AA	10			SCREW, Pan Head
8	6035 499	4			SCREW, Pan Head Tapping, .242-10x.625
9					CAP, Side Rail
	55236 002AA	2			Right
	55236 003AA	2			Left

JEEP CHEROKEE (XJ)				
SERIES	LINE	BODY	ENGINE	TRANSMISSION
P=Classic	J=LHD (4WD)	74=4 Dr.(101.4WB)	ENC,EN0=2.5L 4 cyl. Turbo Die	DDD, DDQ=5 spd. Man.
S=Limited	U=RHD (4WD)	72=2 Dr.(101.4WB)	ERH,ER0=4.0L Power Tech I-6	DGS=4 spd. Auto. AISIN
H=Sport	T=LHD (2WD)		EPE,EP0=Magnum 2.5L SMPI	DG0=All Auto/Trans.
L=SE	B=RHD (2WD)			DBB=All Manual Trans.

AR = Use as required - = Non illustrated part # = New this model year

April 5, 2002

Utility Bar Package - Roof  
Figure 001-262



ITEM	PART NUMBER	QTY	LINE	BODY	DESCRIPTION
------	-------------	-----	------	------	-------------

Note: Utility type rack, used with other roof top accessories. manual, 12 Disc Magazine.

1	8220 3447	1	J, T	72, 74	RACK KIT, Sport - Rail Mount
2	#5066 452AA	1	J, T	72, 74	SUPPORT, Roof Rack
3	55235 999AA	2			RAIL, Luggage Rack Side, not serviced with this kit

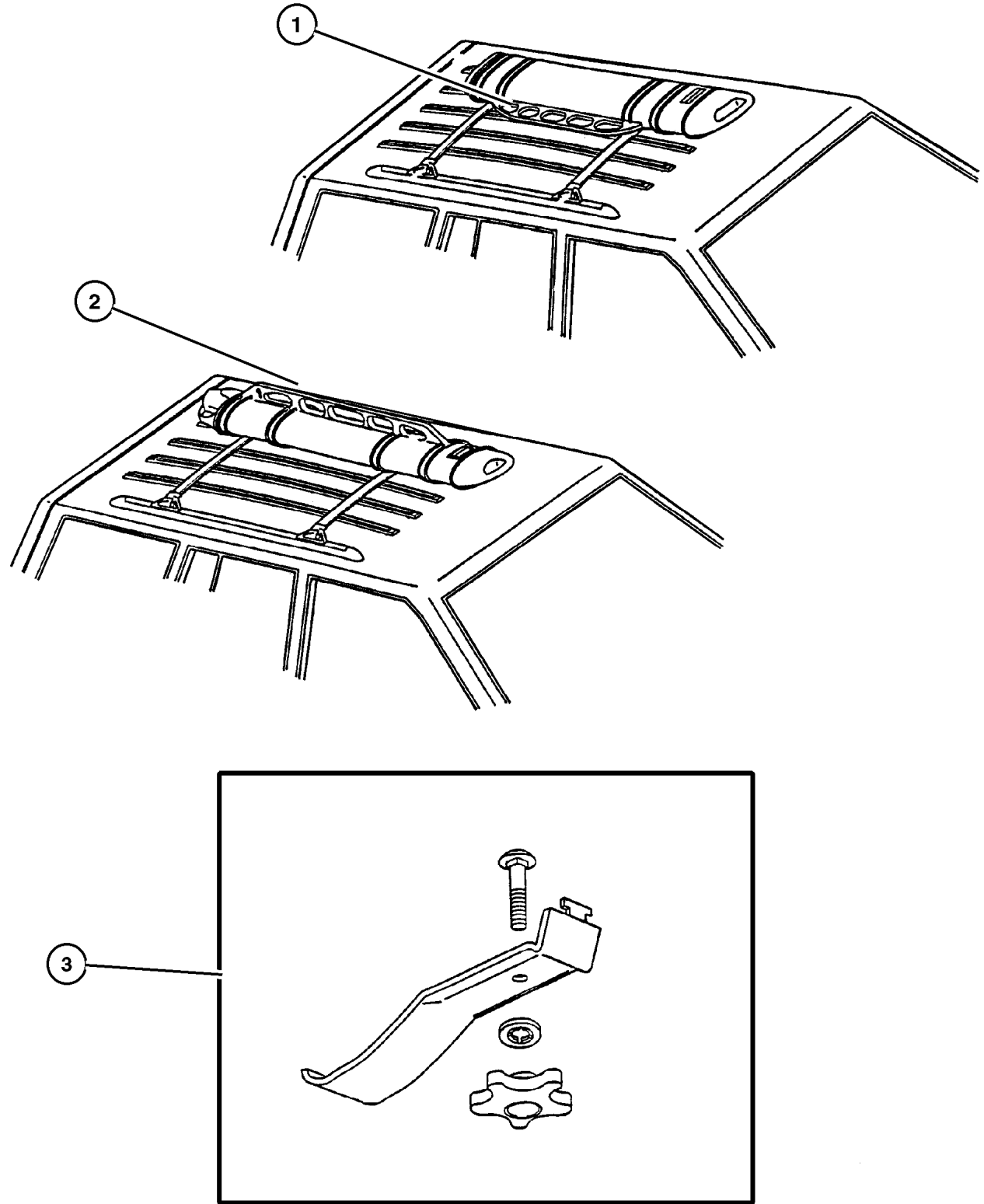
JEEP CHEROKEE (XJ)				
SERIES	LINE	BODY	ENGINE	TRANSMISSION
P=Classic	J=LHD (4WD)	74=4 Dr.(101.4WB)	ENC,EN0=2.5L 4 cyl. Turbo Die	DDD, DDQ=5 spd. Man.
S=Limited	U=RHD (4WD)	72=2 Dr.(101.4WB)	ERH,ER0=4.0L Power Tech I-6	DGS=4 spd. Auto. AISIN
H=Sport	T=LHD (2WD)		EPE,EP0=Magnum 2.5L SMPI	DG0=All Auto/Trans.
L=SE	B=RHD (2WD)			DBB=All Manual Trans.

AR = Use as required - = Non illustrated part # = New this model year

April 5, 2002

**Carrier Kit - Multipurpose Airporter  
Figure 001-270**

ITEM	PART NUMBER	QTY	LINE	BODY	DESCRIPTION
NOTE: Carrier Kits - Multipurpose: Skis or Fishing Pole manual, 12 Disc Magazine. Snow Board or Surfboard manual, 12 Disc Magazine.					
NOTE: Hardware Kit also contained in Carrier Kit manual, 12 Disc Magazine.					
1	8220 4699	1	J, T	72, 74	CARRIER KIT, Wind/Surf Boards
2	8220 4698	1	J, T	72, 74	CARRIER KIT, Ski
3	5016 509AA	1	J, T	72, 74	HARDWARE KIT, Accessory, Consists of: 1- Carriage Bolt, 1- Retaining Knob, 1-Retaining Washer, 1- Attachment Bracket.
-4	5016 617AA	1	J, T	72, 74	LOCK KIT, Carrier, 2 Locks supplied.

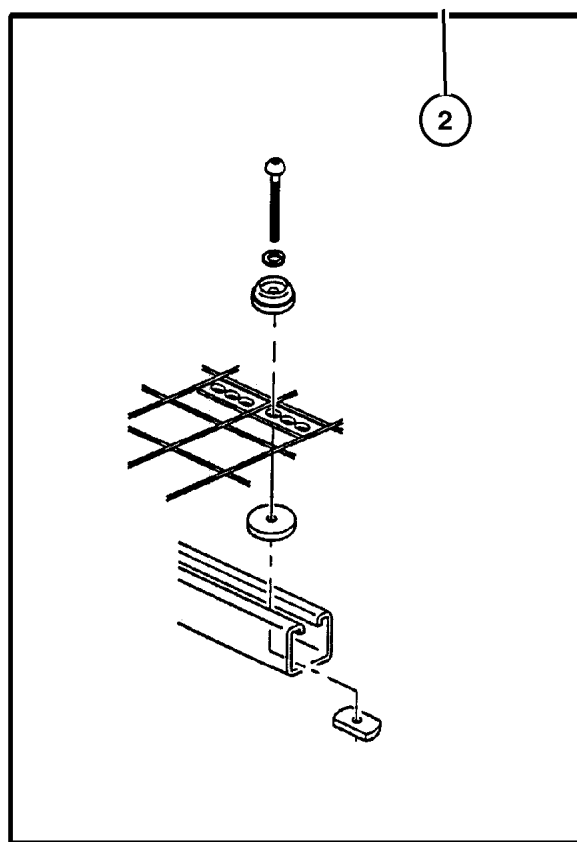
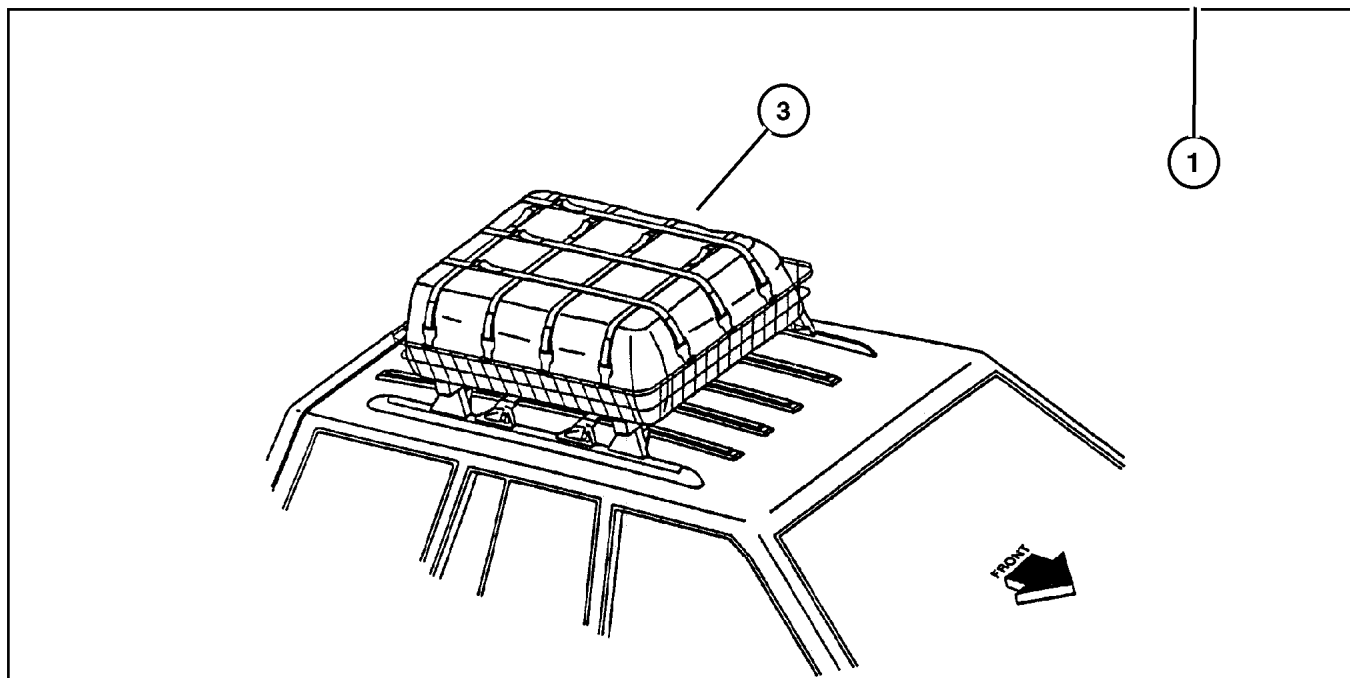


JEEP CHEROKEE (XJ)				
SERIES	LINE	BODY	ENGINE	TRANSMISSION
P=Classic	J=LHD (4WD)	74=4 Dr.(101.4WB)	ENC,EN0=2.5L 4 cyl. Turbo Die	DDD, DDQ=5 spd. Man.
S=Limited	U=RHD (4WD)	72=2 Dr.(101.4WB)	ERH,ER0=4.0L Power Tech I-6	DGS=4 spd. Auto. AISIN
H=Sport	T=LHD (2WD)		EPE,EP0=Magnum 2.5L SMPI	DG0=All Auto/Trans.
L=SE	B=RHD (2WD)			DBB=All Manual Trans.

AR = Use as required - = Non illustrated part # = New this model year

April 5, 2002

**Carrier Kit - Basket Type  
Figure 001-272**



ITEM	PART NUMBER	QTY	LINE	BODY	DESCRIPTION
------	-------------	-----	------	------	-------------

manual, 12 Disc Magazine.

NOTE; Hardware Kit also contained in Carrier Kit. manual, 12 Disc Magazine.

1	8220 4697	1	J, T	72, 74	CARRIER KIT, Basket
2	5016 389AA	1	J, T	72, 74	HARDWARE KIT, Accessory, Consists of: 4-25MM Button Head Screws, 4-30MM Button Head Screws, 4- Lock Washers, 4-Dome Washers, 4- Rubber Washers, 4-T-Nuts.
3	8220 4857	1	J, T	72, 74	NET KIT, Cargo

**JEEP CHEROKEE (XJ)**

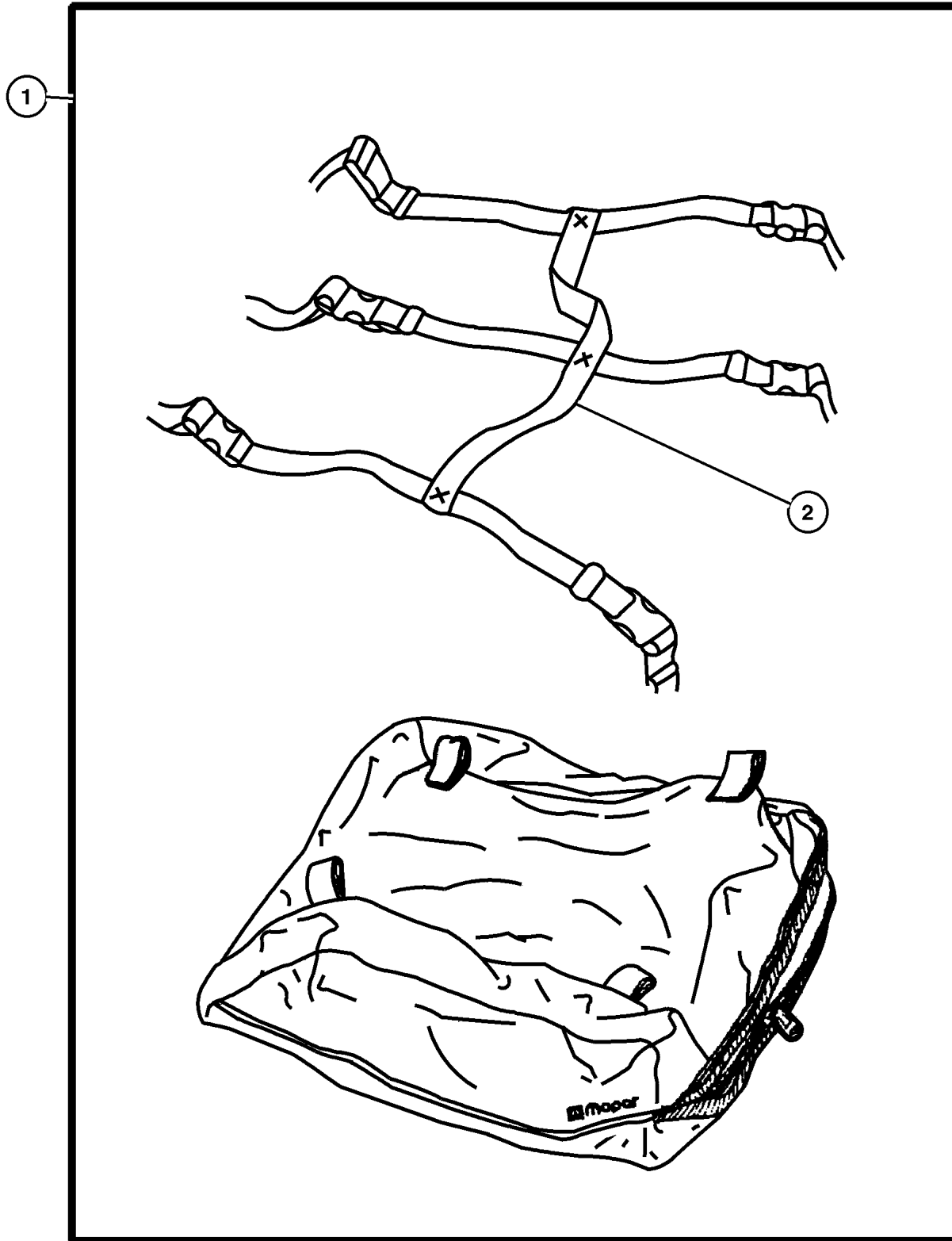
SERIES	LINE	BODY	ENGINE	TRANSMISSION
P=Classic	J=LHD (4WD)	74=4 Dr.(101.4WB)	ENC,EN0=2.5L 4 cyl. Turbo Die	DDD, DDQ=5 spd. Man.
S=Limited	U=RHD (4WD)	72=2 Dr.(101.4WB)	ERH,ER0=4.0L Power Tech I-6	DGS=4 spd. Auto. AISIN
H=Sport	T=LHD (2WD)		EPE,EP0=Magnum 2.5L SMPI	DG0=All Auto/Trans.
L=SE	B=RHD (2WD)			DBB=All Manual Trans.

AR = Use as required - = Non illustrated part # = New this model year

April 5, 2002

Luggage Carrier - Roof Mount  
Figure 001-274

ITEM	PART NUMBER	QTY	LINE	BODY	DESCRIPTION
1	8220 4344	1	J, T	72, 74	CARRIER KIT, Luggage
2	5066 332AA	1	J, T	72, 74	STRAP KIT, Luggage Carrier

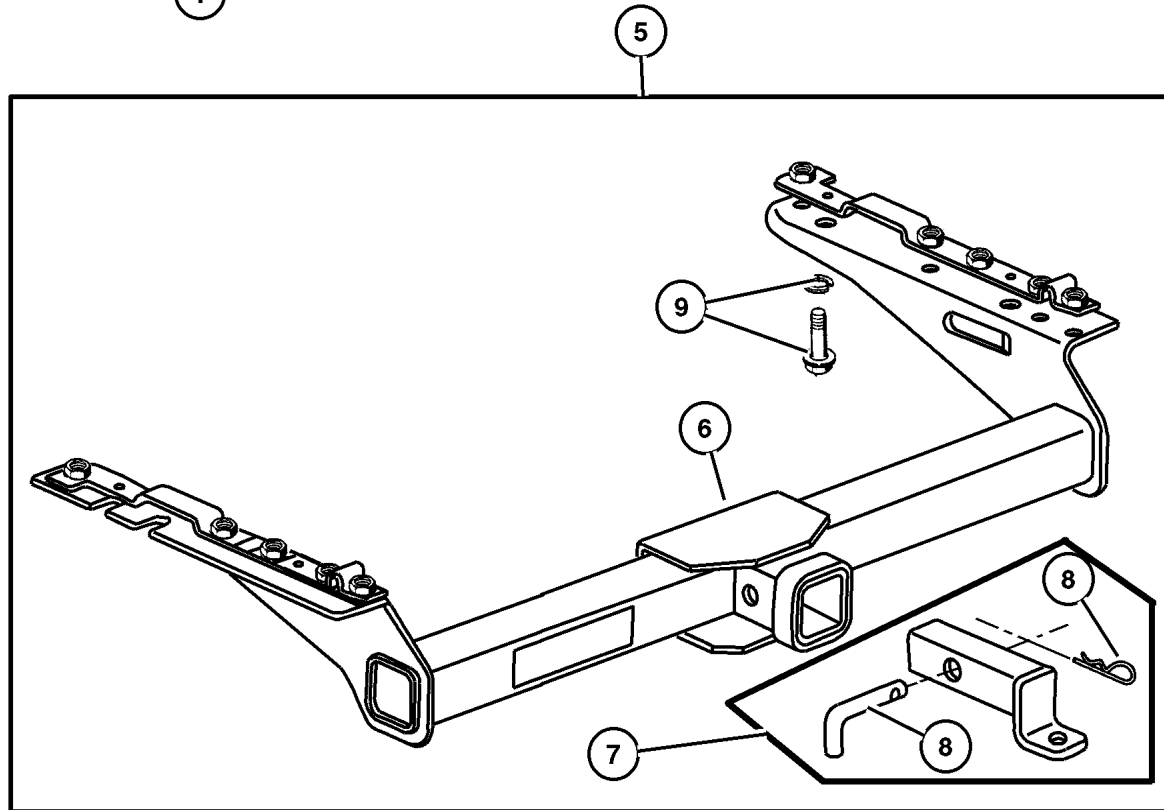
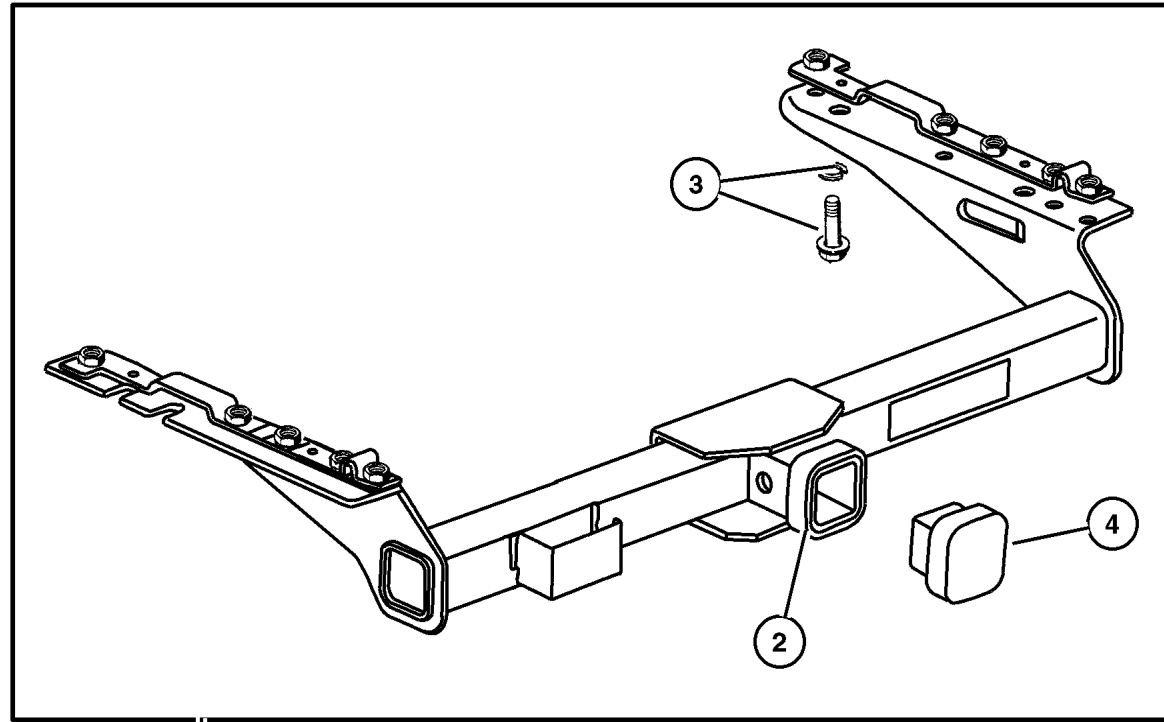


JEEP CHEROKEE (XJ)				
SERIES	LINE	BODY	ENGINE	TRANSMISSION
P=Classic	J=LHD (4WD)	74=4 Dr.(101.4WB)	ENC,EN0=2.5L 4 cyl. Turbo Die	DDD, DDQ=5 spd. Man.
S=Limited	U=RHD (4WD)	72=2 Dr.(101.4WB)	ERH,ER0=4.0L Power Tech I-6	DGS=4 spd. Auto. AISIN
H=Sport	T=LHD (2WD)		EPE,EP0=Magnum 2.5L SMPI	DG0=All Auto/Trans.
L=SE	B=RHD (2WD)			DBB=All Manual Trans.

AR = Use as required - = Non illustrated part # = New this model year

April 5, 2002

**Trailer Tow Kit  
Figure 001-280**



ITEM	PART NUMBER	QTY	LINE	BODY	DESCRIPTION
1	8220 4709	1	J, T	72, 74	RECEIVER KIT, Trailer Tow, 2 inch Receiver
2					HITCH, Trailer, (NOT SERVICED)
3	#5019 470AA	1	J, T	72, 74	HARDWARE KIT, Hitch
4	8220 3600	1	J, T	72, 74	COVER KIT, Trailer Tow, With Jeep Logo
5	8220 2852	1	J, T	72, 74	RECEIVER KIT, Trailer Tow, 1 1/4 inch Receiver
6					HITCH, Trailer, (NOT SERVICED)
7					ADAPTER KIT, Ball Mount
	8220 0248	1	J, T	72, 74	3/4 inch shank
	8220 1148	1	J, T	72, 74	1.0 inch shank, 1 3/4 inch rise 1.0 inch drop
	8220 1149	1	J, T	72, 74	1.0 inch shank, 3.0 inch rise 2 1/4 inch drop
8	5016 666AA	1	J, T	72, 74	PIN, Hitch
9	#5019 470AA	1	J, T	72, 74	HARDWARE KIT, Hitch, Consists of: 4 - 1/2' Lock washers, 4 - 12MM Hex Bolts
-10					BALL KIT, Trailer Tow
	8240 1102	1	J, T	72, 74	1 7/8 ball, 1.0X2 1/8 inch shank
	8240 1103	1	J, T	72, 74	2.0 ball, 1.0X2 1/8 inch shank
	8240 1104	1	J, T	72, 74	1 7/8 ball, 3/4X2 3/4 inch shank
	8240 1197	1	J, T	72, 74	1 7/8 ball, 3/4X2 5/16 inch shank

**JEEP CHEROKEE (XJ)**

SERIES	LINE	BODY	ENGINE	TRANSMISSION
P=Classic	J=LHD (4WD)	74=4 Dr.(101.4WB)	ENC,EN0=2.5L 4 cyl. Turbo Die	DDD, DDQ=5 spd. Man.
S=Limited	U=RHD (4WD)	72=2 Dr.(101.4WB)	ERH,ER0=4.0L Power Tech I-6	DGS=4 spd. Auto. AISIN
H=Sport	T=LHD (2WD)		EPE,EP0=Magnum 2.5L SMPI	DG0=All Auto/Trans.
L=SE	B=RHD (2WD)			DBB=All Manual Trans.

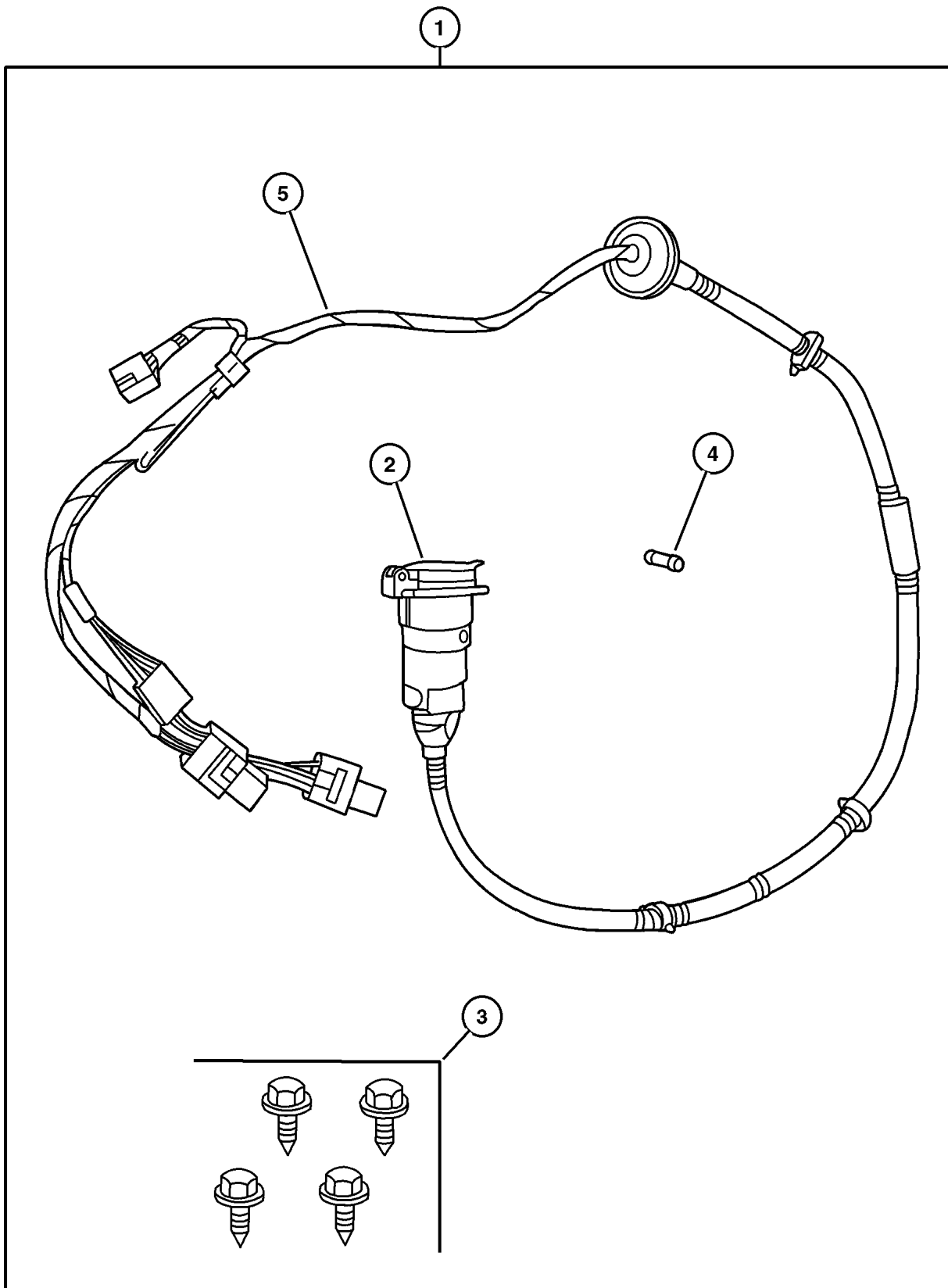
AR = Use as required - = Non illustrated part # = New this model year

April 5, 2002



**Wiring Kit - Trailer Tow**  
**Figure 001-285**

ITEM	PART NUMBER	QTY	LINE	BODY	DESCRIPTION
1	8220 4634	1	J, T	72, 74	WIRING PACKAGE, Trailer Tow
2	56038 366AB	1	J, T	72, 74	CONNECTOR, 7 Way
3	0154 633	1	J, T	72, 74	SCREW, .164-18x.625
4	6101 486	1	J, T	72, 74	FUSE, Mini, 10 AMP, Red
5	5600 9832	1	J, T	72, 74	WIRING, Trailer Tow



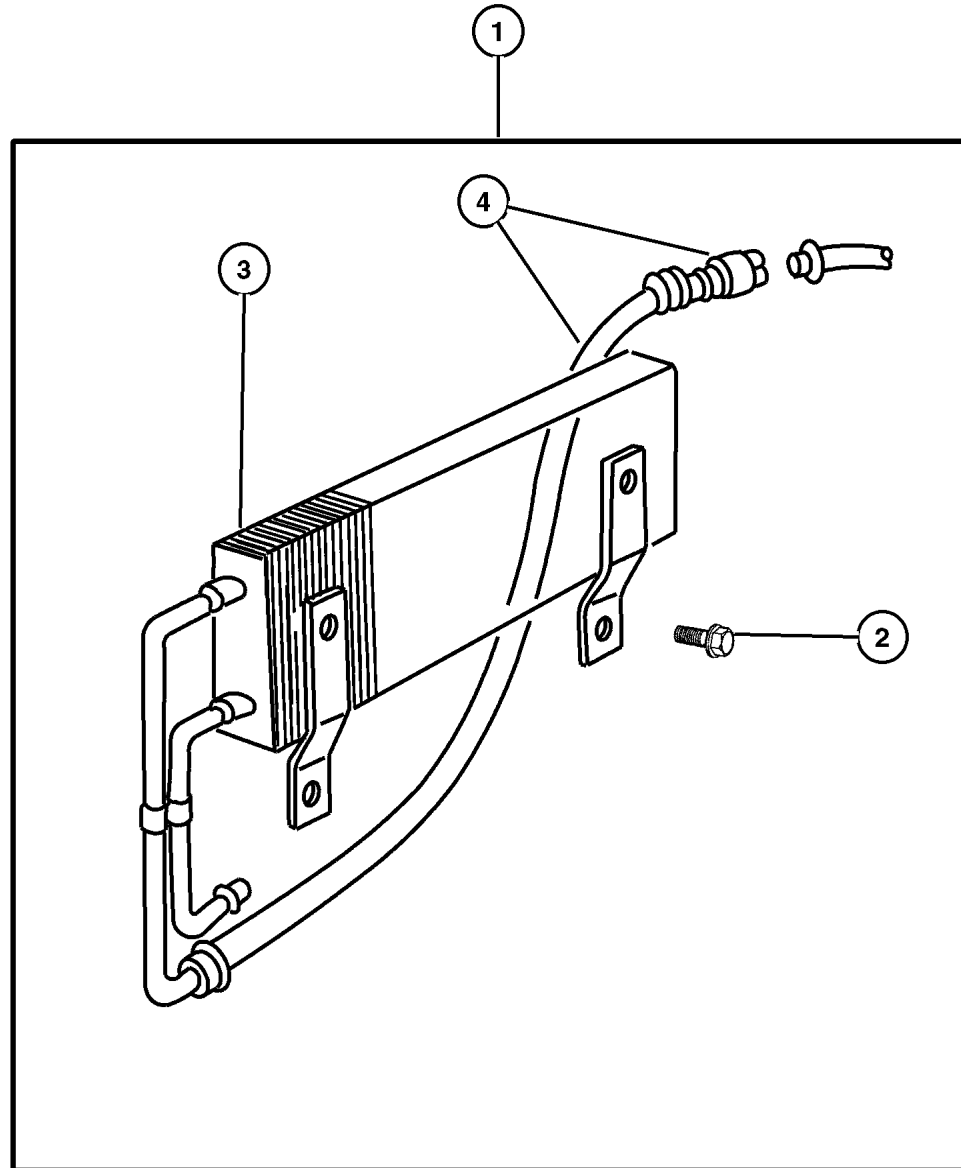
<b>JEEP CHEROKEE (XJ)</b>				
SERIES	LINE	BODY	ENGINE	TRANSMISSION
P=Classic	J=LHD (4WD)	74=4 Dr.(101.4WB)	ENC,EN0=2.5L 4 cyl. Turbo Die	DDD, DDQ=5 spd. Man.
S=Limited	U=RHD (4WD)	72=2 Dr.(101.4WB)	ERH,ER0=4.0L Power Tech I-6	DGS=4 spd. Auto. AISIN
H=Sport	T=LHD (2WD)		EPE,EP0=Magnum 2.5L SMPI	DG0=All Auto/Trans.
L=SE	B=RHD (2WD)			DBB=All Manual Trans.

AR = Use as required - = Non illustrated part # = New this model year

April 5, 2002

**Cooler Kit - Transmission Oil**  
**Figure 001-290**

ITEM	PART NUMBER	QTY	LINE	BODY	DESCRIPTION
1	8220 4191	1	J, T	72, 74	COOLER PACKAGE, Transmission Oil
2					SCREW, Hex Head with Washer .164-18x.818 , (NOT SERVICED)
3	52028 516AE	1	J, T	72, 74	COOLER, Auxiliary Oil, Includes: Hose and Connector
4	5003 096AC	1	J, T		HOSE AND CONNECTOR, Oil Cooler



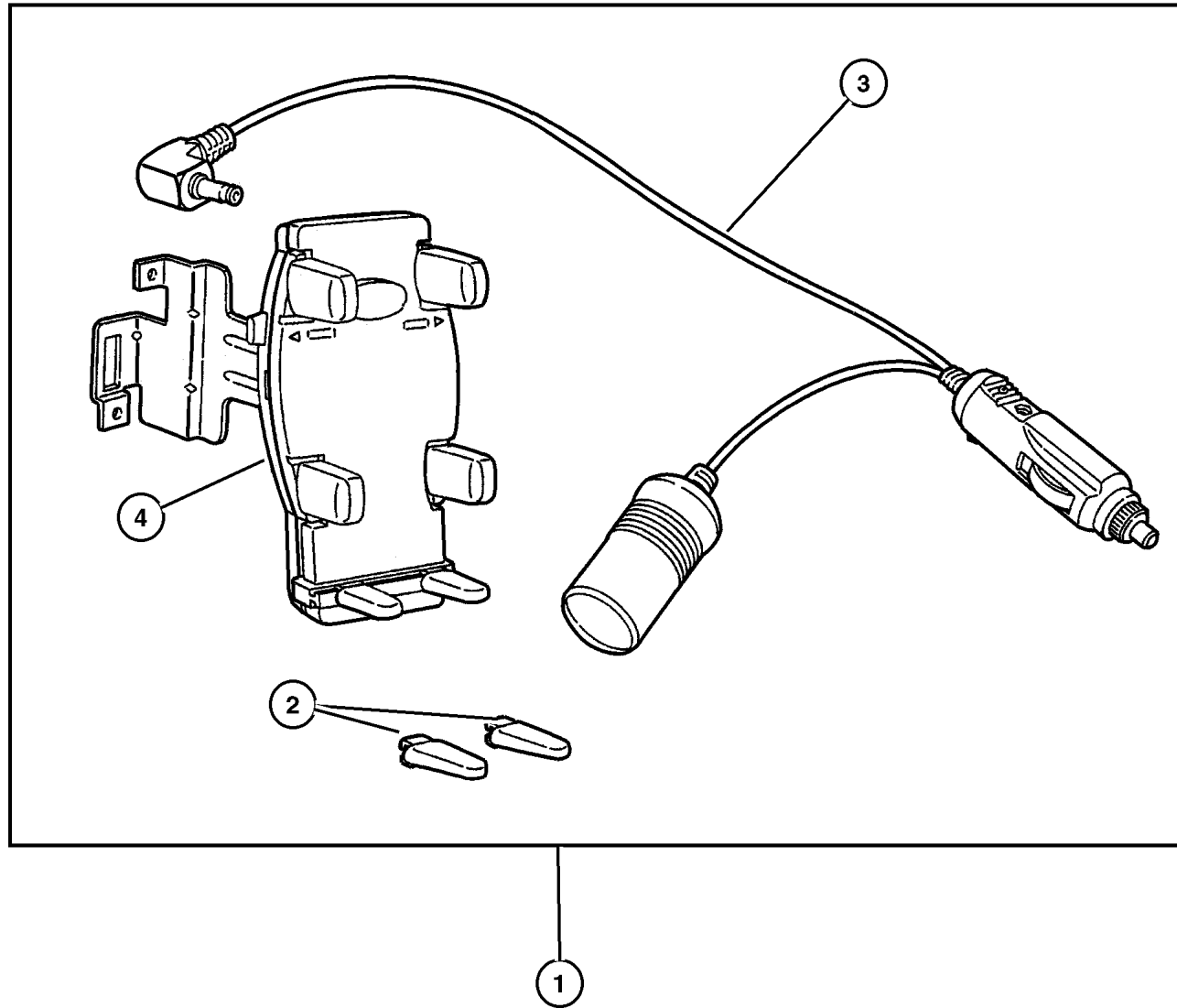
JEEP CHEROKEE (XJ)				
SERIES	LINE	BODY	ENGINE	TRANSMISSION
P=Classic	J=LHD (4WD)	74=4 Dr.(101.4WB)	ENC,EN0=2.5L 4 cyl. Turbo Die	DDD, DDQ=5 spd. Man.
S=Limited	U=RHD (4WD)	72=2 Dr.(101.4WB)	ERH,ER0=4.0L Power Tech I-6	DGS=4 spd. Auto. AISIN
H=Sport	T=LHD (2WD)		EPE,EP0=Magnum 2.5L SMPI	DG0=All Auto/Trans.
L=SE	B=RHD (2WD)			DBB=All Manual Trans.

AR = Use as required - = Non illustrated part # = New this model year

April 5, 2002

## Mounting Kit - Cellular Phone Figure 001-310

ITEM	PART NUMBER	QTY	LINE	BODY	DESCRIPTION
NOTE; Smart Holder and Bracket Assy. with Jeep Logo, Bracket to be black powder coated low gloss. manual, 12 Disc Magazine.					
NOTE: Holder is free of knee and airbag deployment area. manual, 12 Disc Magazine.					
1	8220 5274	1	J, T	72, 74	MOUNTING KIT, Cellular Phone
2	#5018 103AA	1	J, T	72, 74	HARDWARE KIT, Accessory, Consists of : 1-Set of Long Support Feet.
3	5019 524AA	1	J, T	72, 74	CORD, Cellular Phone, 6' Cord with 'Y' Accessory Feed.
4					HOLDER KIT, Cellular Phone, Serviced in assembly, (NOT SERVICED)



JEEP CHEROKEE (XJ)				
SERIES	LINE	BODY	ENGINE	TRANSMISSION
P=Classic	J=LHD (4WD)	74=4 Dr.(101.4WB)	ENC,EN0=2.5L 4 cyl. Turbo Die	DDD, DDQ=5 spd. Man.
S=Limited	U=RHD (4WD)	72=2 Dr.(101.4WB)	ERH,ER0=4.0L Power Tech I-6	DGS=4 spd. Auto. AISIN
H=Sport	T=LHD (2WD)		EPE,EP0=Magnum 2.5L SMPI	DG0=All Auto/Trans.
L=SE	B=RHD (2WD)			DBB=All Manual Trans.

AR = Use as required    - = Non illustrated part    # = New this model year

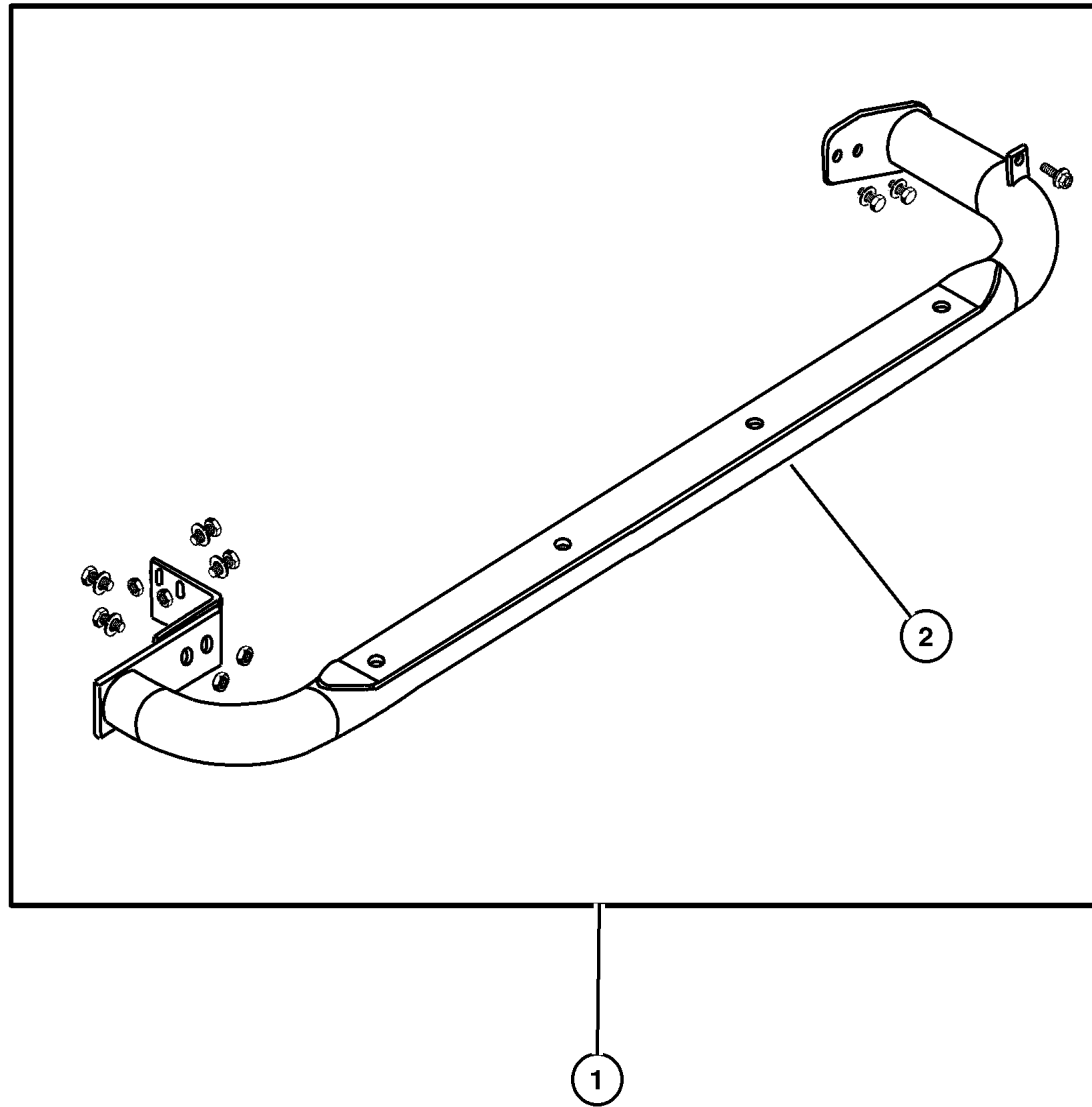
April 5, 2002

**Step Kit - Side Tubular  
Figure 001-410**

ITEM	PART NUMBER	QTY	LINE	BODY	DESCRIPTION
------	-------------	-----	------	------	-------------

NOTE: Each Right and Left Kit contains it's own Mounting Bracket and Hardware. manual, 12 Disc Magazine.

1					STEP KIT, Tubular Side, Right and Left Steps Included
	8220 3388	1	J, T	72, 74	Natural Aluminum
	8220 3390	1	J, T	72, 74	Chromed Steel
	8220 3391	1	J, T	72, 74	Black Steel
2					STEP KIT, Tubular Side
	#5019 269AA	1	J, T	72, 74	Natural Aluminum, Left
	#5019 272AA	1	J, T	72, 74	Natural Aluminum, Right
	#5019 273AA	1	J, T	72, 74	Chromed Steel, Left
	#5019 274AA	1	J, T	72, 74	Chromed Steel, Right
	#5019 275AA	1	J, T	72, 74	Black Steel, Left
	#5019 276AA	1	J, T	72, 74	Black Steel, Right



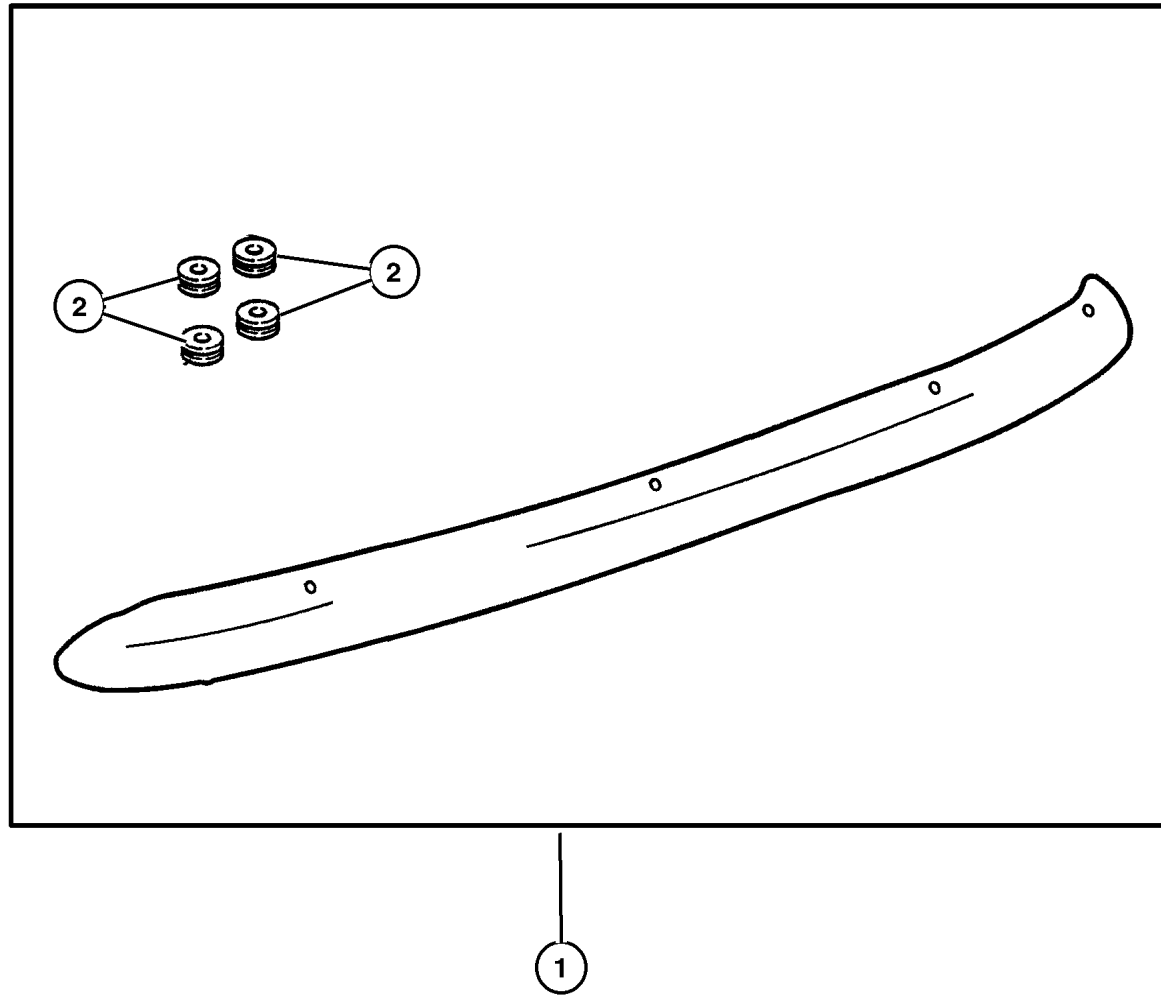
JEEP CHEROKEE (XJ)				
SERIES	LINE	BODY	ENGINE	TRANSMISSION
P=Classic	J=LHD (4WD)	74=4 Dr.(101.4WB)	ENC,EN0=2.5L 4 cyl. Turbo Die	DDD, DDQ=5 spd. Man.
S=Limited	U=RHD (4WD)	72=2 Dr.(101.4WB)	ERH,ER0=4.0L Power Tech I-6	DGS=4 spd. Auto. AISIN
H=Sport	T=LHD (2WD)		EPE,EP0=Magnum 2.5L SMPI	DG0=All Auto/Trans.
L=SE	B=RHD (2WD)			DBB=All Manual Trans.

AR = Use as required - = Non illustrated part # = New this model year

April 5, 2002

**Shield Kit  
Figure 001-510**

ITEM	PART NUMBER	QTY	LINE	BODY	DESCRIPTION
1	8220 3379	1	J, T	72, 74	SHIELD KIT, Air - Front
2	5014 754AA	1	J, T	72, 74	SPACER, Air Deflector, Will Service All Deflectors. Has Better Adhesive



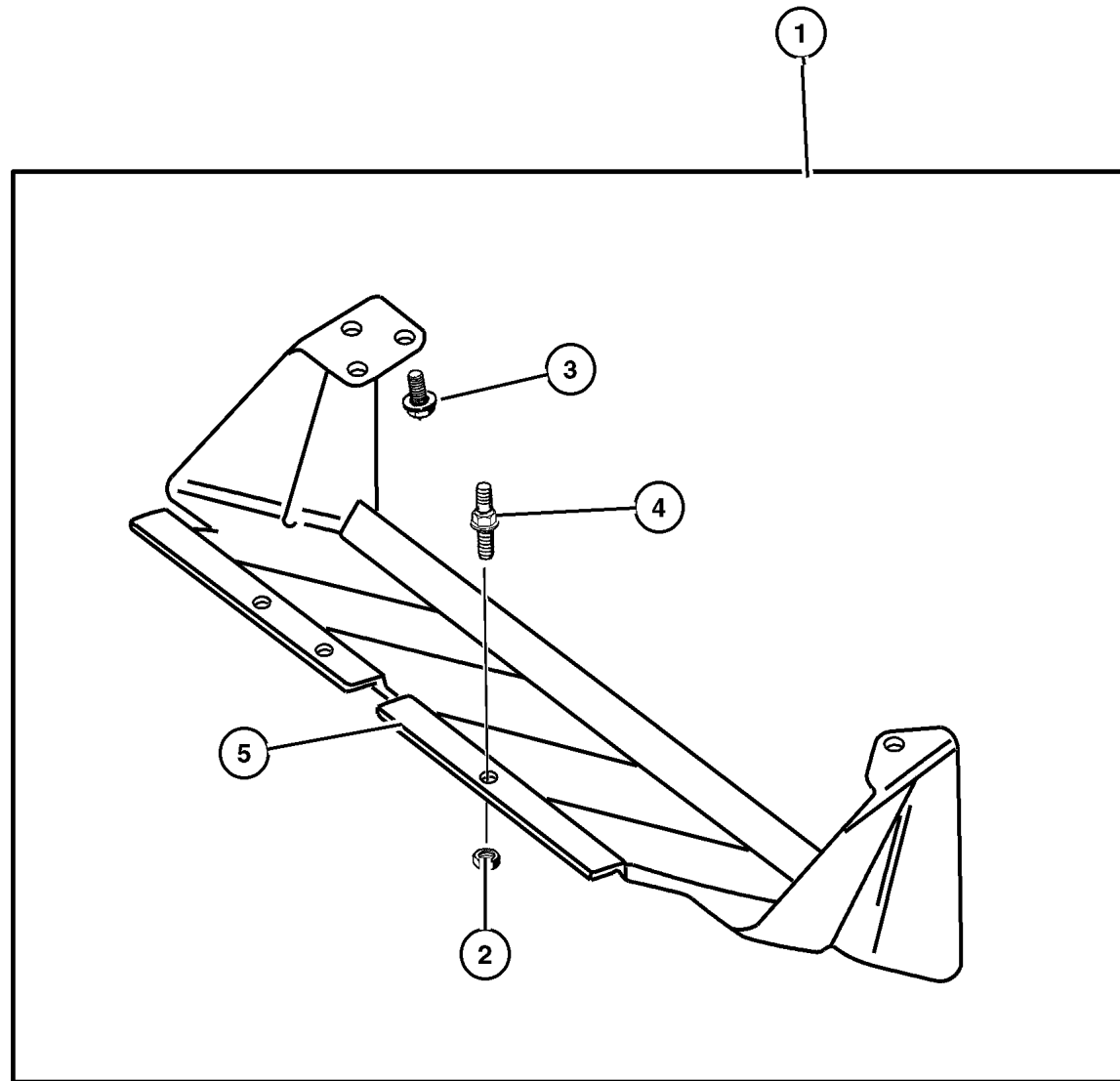
JEEP CHEROKEE (XJ)				
SERIES	LINE	BODY	ENGINE	TRANSMISSION
P=Classic	J=LHD (4WD)	74=4 Dr.(101.4WB)	ENC,EN0=2.5L 4 cyl. Turbo Die	DDD, DDQ=5 spd. Man.
S=Limited	U=RHD (4WD)	72=2 Dr.(101.4WB)	ERH,ER0=4.0L Power Tech I-6	DGS=4 spd. Auto. AISIN
H=Sport	T=LHD (2WD)		EPE,EP0=Magnum 2.5L SMPI	DG0=All Auto/Trans.
L=SE	B=RHD (2WD)			DBB=All Manual Trans.

AR = Use as required - = Non illustrated part # = New this model year

April 5, 2002

**Skid Plate - Front**  
**Figure 001-520**

ITEM	PART NUMBER	QTY	LINE	BODY	DESCRIPTION
1	8220 2851	1	J, T	72, 74	PLATE PACKAGE, Skid - Front
2	J420 0046	1	J, T	72, 74	NUT AND WASHER, Hex Flange, M8x1.25
3	6502 467	1	J, T	72, 74	SCREW AND WASHER, Hex Head, M10x1.5x30
4	3420 2209	1	J, T	72, 74	STUD, Collared, M8x1.25x44.00
5	52018 009AB	1	J, T	72, 74	SKID PLATE, Front



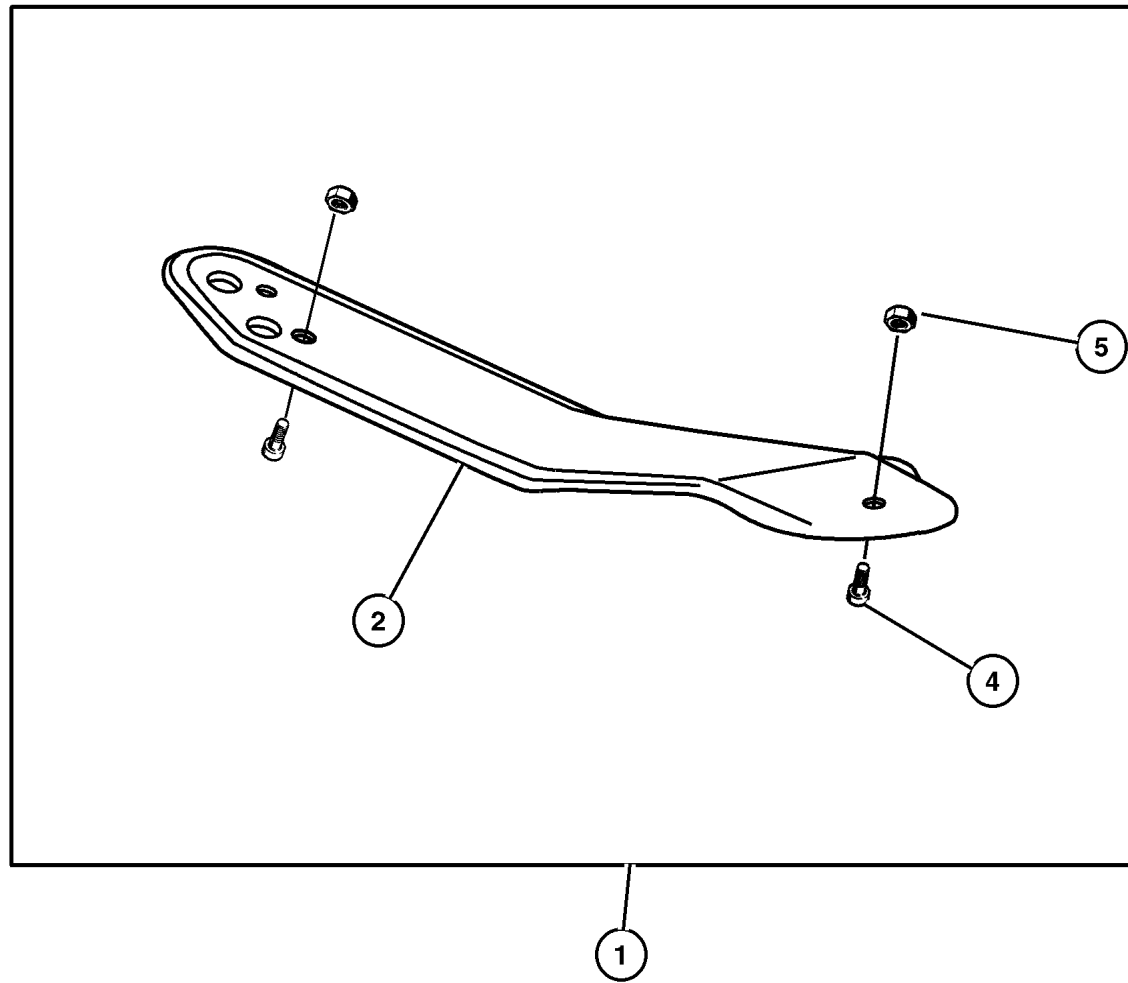
<b>JEEP CHEROKEE (XJ)</b>				
SERIES	LINE	BODY	ENGINE	TRANSMISSION
P=Classic	J=LHD (4WD)	74=4 Dr.(101.4WB)	ENC,EN0=2.5L 4 cyl. Turbo Die	DDD, DDQ=5 spd. Man.
S=Limited	U=RHD (4WD)	72=2 Dr.(101.4WB)	ERH,ER0=4.0L Power Tech I-6	DGS=4 spd. Auto. AISIN
H=Sport	T=LHD (2WD)		EPE,EP0=Magnum 2.5L SMPI	DG0=All Auto/Trans.
L=SE	B=RHD (2WD)			DBB=All Manual Trans.

AR = Use as required - = Non illustrated part # = New this model year

April 5, 2002

**Skid Plate - Transfer Case**  
**Figure 001-522**

ITEM	PART NUMBER	QTY	LINE	BODY	DESCRIPTION
1	8220 5147	1	J	72, 74	PLATE PACKAGE, Skid - Transfer Case
2	52003 111AC	1	J	72, 74	PLATE, Transfer Case Skid
-3	5011 659AA	1	J	72, 74	RIVNUT, Installation
4	1150 2850	1	J	72, 74	BOLT, Hex Flange Head, M8x1.25x20
5	3420 1575	1	J	72, 74	NUT, Insert, M8 x 1.25 x 18.29



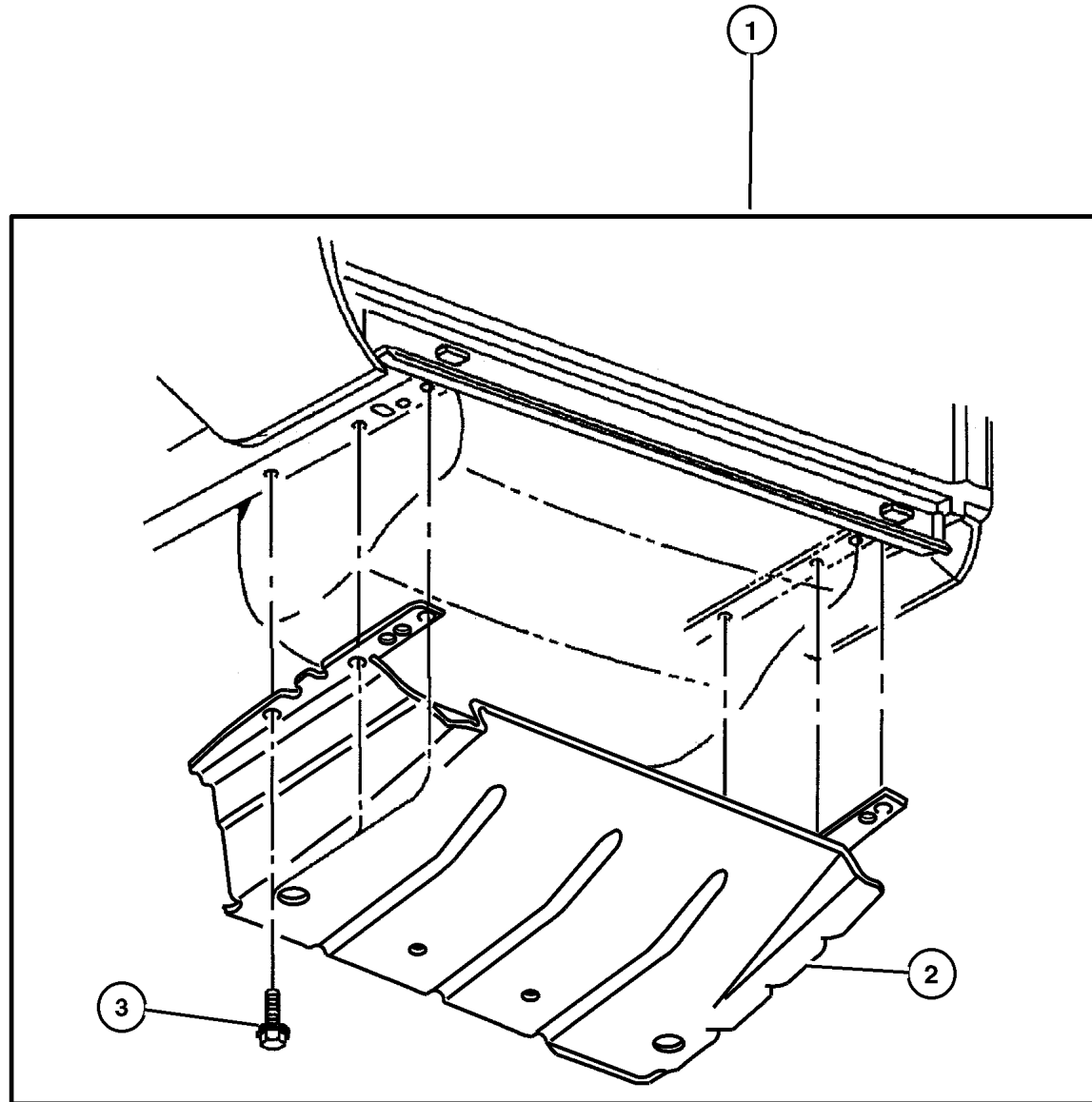
JEEP CHEROKEE (XJ)				
SERIES	LINE	BODY	ENGINE	TRANSMISSION
P=Classic	J=LHD (4WD)	74=4 Dr.(101.4WB)	ENC,EN0=2.5L 4 cyl. Turbo Die	DDD, DDQ=5 spd. Man.
S=Limited	U=RHD (4WD)	72=2 Dr.(101.4WB)	ERH,ER0=4.0L Power Tech I-6	DGS=4 spd. Auto. AISIN
H=Sport	T=LHD (2WD)		EPE,EP0=Magnum 2.5L SMPI	DG0=All Auto/Trans.
L=SE	B=RHD (2WD)			DBB=All Manual Trans.

AR = Use as required - = Non illustrated part # = New this model year

April 5, 2002

**Skid Plate - Fuel Tank**  
**Figure 001-524**

ITEM	PART NUMBER	QTY	LINE	BODY	DESCRIPTION
1	8220 3726	1	J, T	72, 74	SKID PLATE PACKAGE, Fuel Tank
2	52100 328AA	1	J, T	72, 74	PLATE, Skid
3	3420 1964	6			BOLT, Hex Flange Head, M12x1.75x40
-4					REINFORCEMENT, Sill
	5200 1174	1	J, T	72, 74	Right
	5200 1175	1	J, T	72, 74	Left
-5	1150 1060	5			NUT, Hex, M12x1.75



JEEP CHEROKEE (XJ)				
SERIES	LINE	BODY	ENGINE	TRANSMISSION
P=Classic	J=LHD (4WD)	74=4 Dr.(101.4WB)	ENC,EN0=2.5L 4 cyl. Turbo Die	DDD, DDQ=5 spd. Man.
S=Limited	U=RHD (4WD)	72=2 Dr.(101.4WB)	ERH,ER0=4.0L Power Tech I-6	DGS=4 spd. Auto. AISIN
H=Sport	T=LHD (2WD)		EPE,EP0=Magnum 2.5L SMPI	DG0=All Auto/Trans.
L=SE	B=RHD (2WD)			DBB=All Manual Trans.

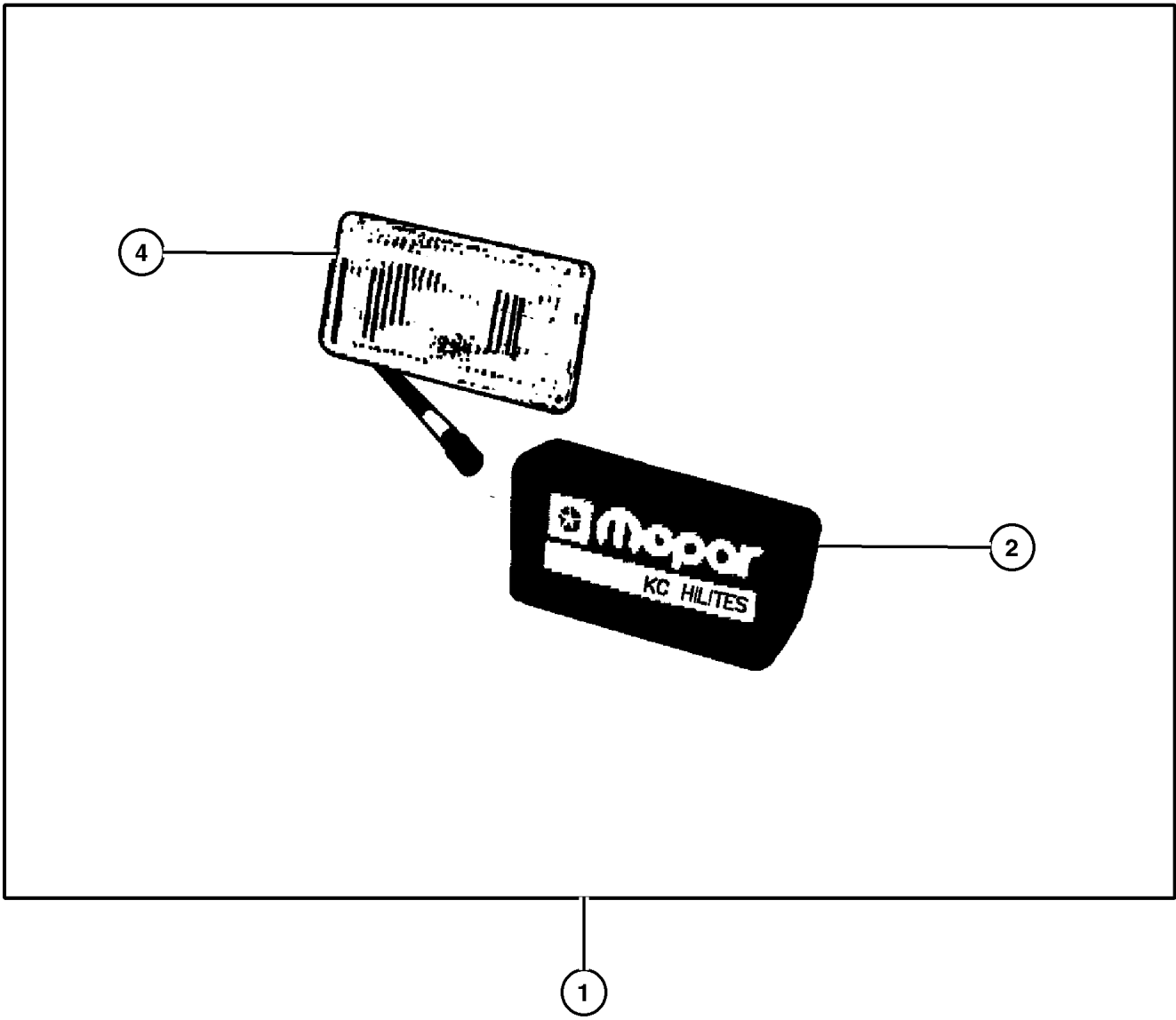
AR = Use as required - = Non illustrated part # = New this model year

April 5, 2002



**Light Package - Fog  
Figure 001-610**

ITEM	PART NUMBER	QTY	LINE	BODY	DESCRIPTION
NOTE: Light Packages - use 55 watt Bulb only. Complete kit including lights for mounting on a Brush Guard. manual, 12 Disc Magazine.					
1	8220 1230	1	J, T	72, 74	LIGHT KIT, Fog, 5 x 7', Bright Chrome
2	4720 332	1	J, T	72, 74	COVER, Fog Lamp
-3	4728 646	1	J, T	72, 74	BULB PACKAGE, 55 Watt
4	4720 329	1	J, T	72, 74	LENS, Fog Lamp

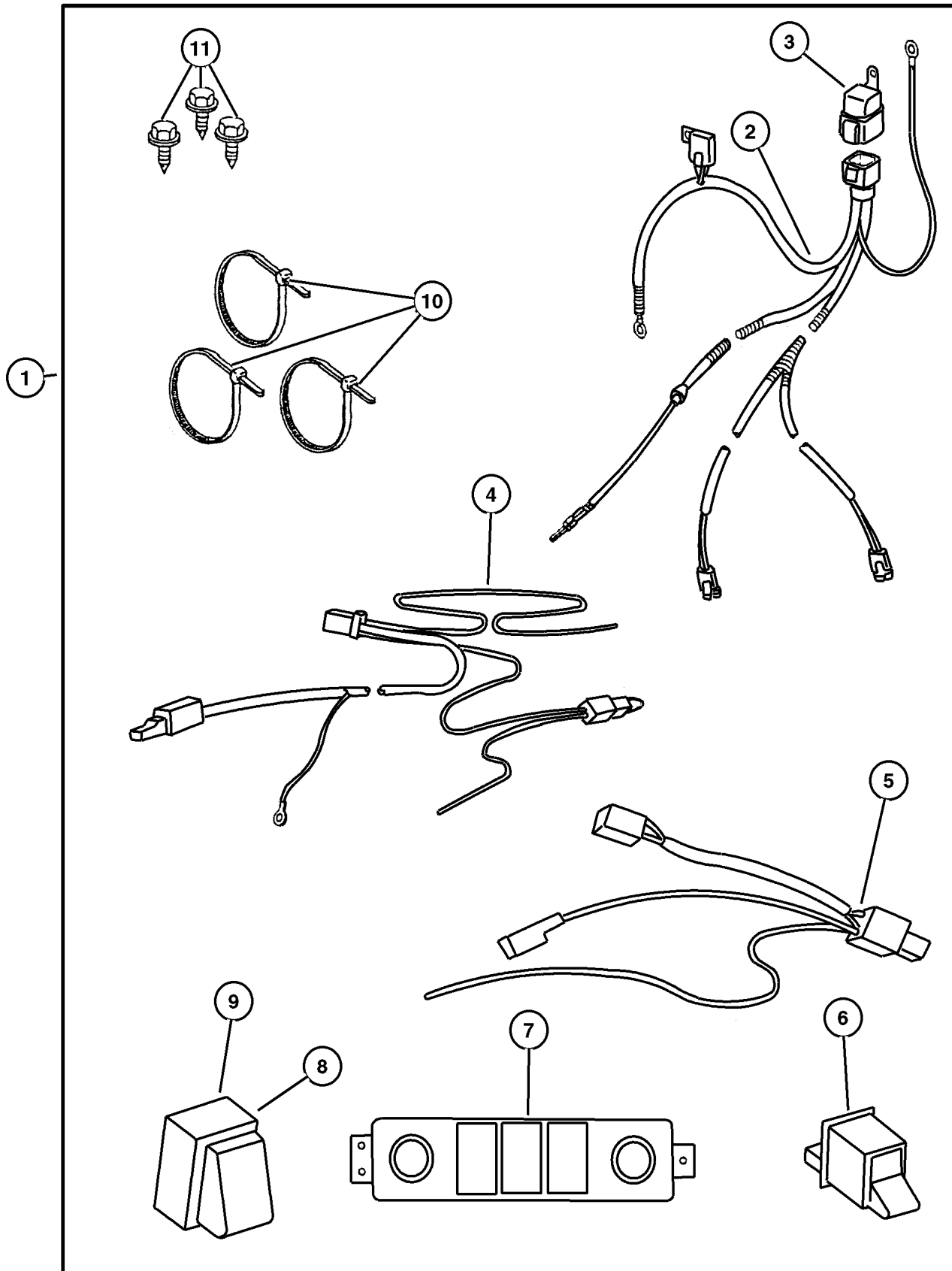


JEEP CHEROKEE (XJ)				
SERIES	LINE	BODY	ENGINE	TRANSMISSION
P=Classic	J=LHD (4WD)	74=4 Dr.(101.4WB)	ENC,EN0=2.5L 4 cyl. Turbo Die	DDD, DDQ=5 spd. Man.
S=Limited	U=RHD (4WD)	72=2 Dr.(101.4WB)	ERH,ER0=4.0L Power Tech I-6	DGS=4 spd. Auto. AISIN
H=Sport	T=LHD (2WD)		EPE,EP0=Magnum 2.5L SMPI	DG0=All Auto/Trans.
L=SE	B=RHD (2WD)			DBB=All Manual Trans.

AR = Use as required - = Non illustrated part # = New this model year

April 5, 2002

Installation Kit - Fog Lamp  
Figure 001-616



ITEM	PART NUMBER	QTY	LINE	BODY	DESCRIPTION
1	8220 4235	1	J, T	72, 74	INSTALL PACKAGE, Off Road Light
2					WIRING KIT, Fog Light, (NOT SERVICED)
3	4638 271	1	J, T	72, 74	RELAY PACKAGE, Electrical
4					WIRING, Jumper, Switch, (NOT SERVICED)
5					WIRING, Hi Beam Cut/Off, (NOT SERVICED)
6	5600 7247	1	J, T	72, 74	SWITCH, Fog Lamp
7	4897 502AF	1	J, T	72, 74	BEZEL, Switch
8	5600 7329	1	J, T	72, 74	PLUG, Switch Opening, Heated Back Light
9	5600 7330	1	J, T	72, 74	PLUG, Switch Opening, Wiper Washer
10					STRAP, Tie, (NOT SERVICED)
11					SCREW, Hex Head, (NOT SERVICED)

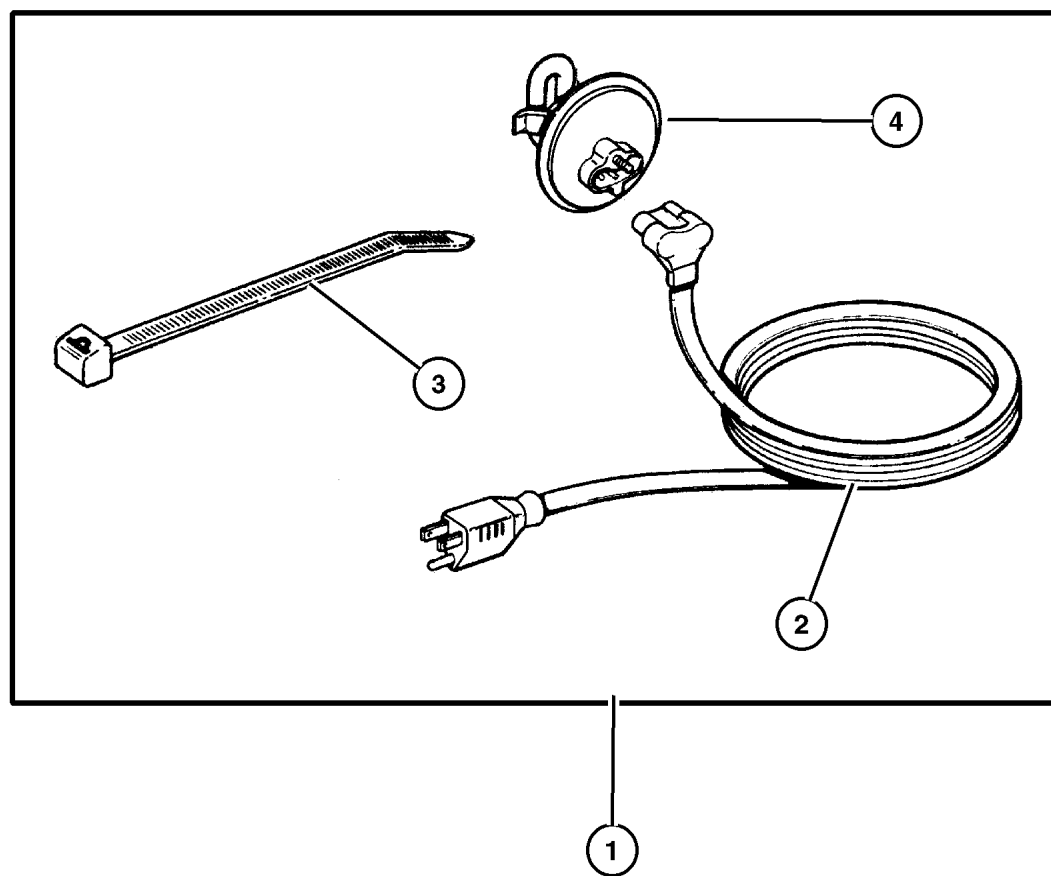
JEEP CHEROKEE (XJ)				
SERIES	LINE	BODY	ENGINE	TRANSMISSION
P=Classic	J=LHD (4WD)	74=4 Dr.(101.4WB)	ENC,EN0=2.5L 4 cyl. Turbo Die	DDD, DDQ=5 spd. Man.
S=Limited	U=RHD (4WD)	72=2 Dr.(101.4WB)	ERH,ER0=4.0L Power Tech I-6	DGS=4 spd. Auto. AISIN
H=Sport	T=LHD (2WD)		EPE,EP0=Magnum 2.5L SMPI	DG0=All Auto/Trans.
L=SE	B=RHD (2WD)			DBB=All Manual Trans.

AR = Use as required - = Non illustrated part # = New this model year

April 5, 2002

**Heater Kit Engine Block  
Figure 001-620**

ITEM	PART NUMBER	QTY	LINE	BODY	DESCRIPTION
1	8220 1506	1	J, T	72, 74	HEATER PACKAGE, Engine Block
2	5300 0878	1	J, T	72, 74	CORD, Engine Block Heater
3	4641 780	1	J, T	72, 74	STRAP, Tie
4					HEATER, Engine Block, Serviced only in package, (NOT SERVICED)

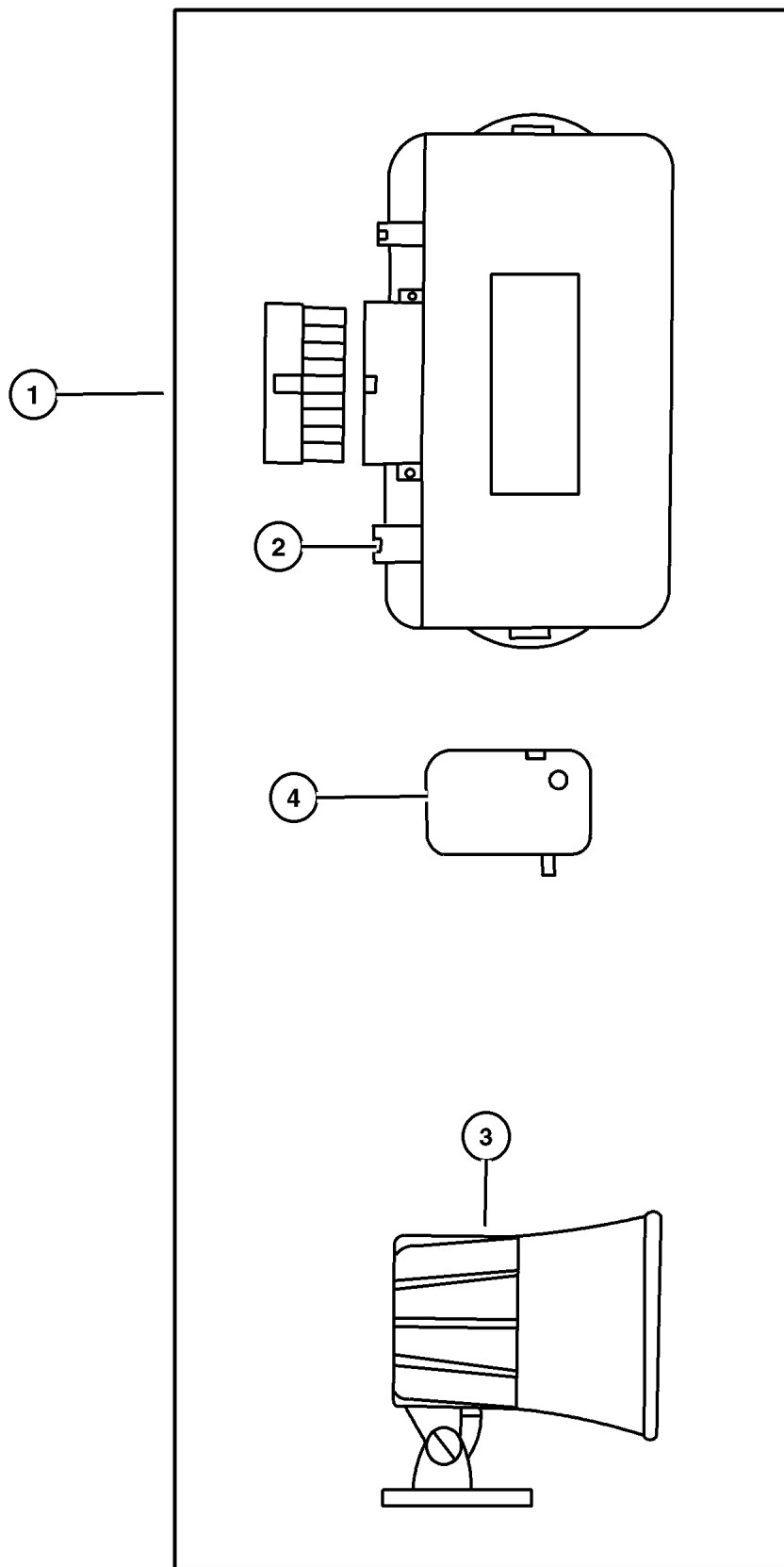


JEEP CHEROKEE (XJ)				
SERIES	LINE	BODY	ENGINE	TRANSMISSION
P=Classic	J=LHD (4WD)	74=4 Dr.(101.4WB)	ENC,EN0=2.5L 4 cyl. Turbo Die	DDD, DDQ=5 spd. Man.
S=Limited	U=RHD (4WD)	72=2 Dr.(101.4WB)	ERH,ER0=4.0L Power Tech I-6	DGS=4 spd. Auto. AISIN
H=Sport	T=LHD (2WD)		EPE,EP0=Magnum 2.5L SMPI	DG0=All Auto/Trans.
L=SE	B=RHD (2WD)			DBB=All Manual Trans.

AR = Use as required - = Non illustrated part # = New this model year

April 5, 2002

**Alarm - EVS Base System  
Figure 001-910**



ITEM	PART NUMBER	QTY	LINE	BODY	DESCRIPTION
------	-------------	-----	------	------	-------------

NOTE: Item # 6 -Wiring Harness is an Optional Feature. manual, 12 Disc Magazine.

1	8220 3763	1	J, T	72, 74	MODULE KIT, Alarm without Keyless
2	5012 164AA	1	J, T	72, 74	MODULE, Security Alarm
3	8220 3198	1	J, T	72, 74	SIREN, Alarm
4	4886 374AA	1	J, T	72, 74	TRANSMITTER, Alarm or Keyless
-5	4636 141	1	J, T	72, 74	BATTERY, Transmitter
-6	8220 4216	1	J, T	72, 74	WIRING KIT, Park and Headlight

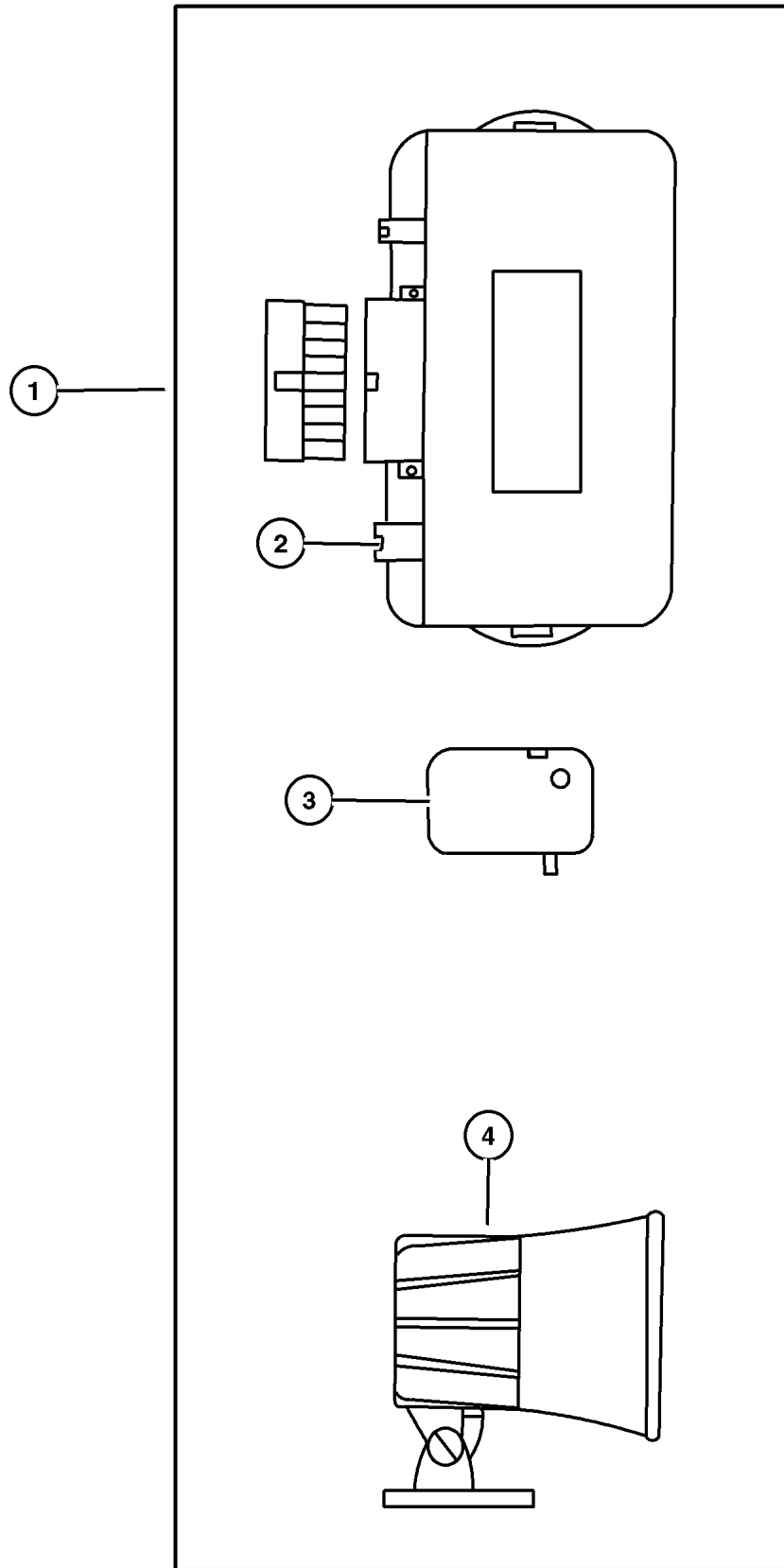
**JEEP CHEROKEE (XJ)**

SERIES	LINE	BODY	ENGINE	TRANSMISSION
P=Classic	J=LHD (4WD)	74=4 Dr.(101.4WB)	ENC,EN0=2.5L 4 cyl. Turbo Die	DDD, DDQ=5 spd. Man.
S=Limited	U=RHD (4WD)	72=2 Dr.(101.4WB)	ERH,ER0=4.0L Power Tech I-6	DGS=4 spd. Auto. AISIN
H=Sport	T=LHD (2WD)		EPE,EP0=Magnum 2.5L SMPI	DG0=All Auto/Trans.
L=SE	B=RHD (2WD)			DBB=All Manual Trans.

AR = Use as required - = Non illustrated part # = New this model year

April 5, 2002

**Alarm - EVS Plus System  
Figure 001-915**



ITEM	PART NUMBER	QTY	LINE	BODY	DESCRIPTION
------	-------------	-----	------	------	-------------

NOTE: Items #5-6 are Wiring Harnesses for Optional Features., manual, 12 Disc Magazine.

1	8220 4268	1	J, T	72, 74	MODULE, Security Alarm
2	5011 619AA	1	J, T	72, 74	MODULE, Security Alarm
3	4886 261AA	1	J, T	72, 74	SENSOR, Shock, With Connector
4	8220 3198	1	J, T	72, 74	SIREN, Alarm
-5	8220 4216	1	J, T	72, 74	WIRING KIT, Park and Headlight
-6	#8220 5886	1	J, T	72, 74	WIRING KIT, Alarm Security Plus

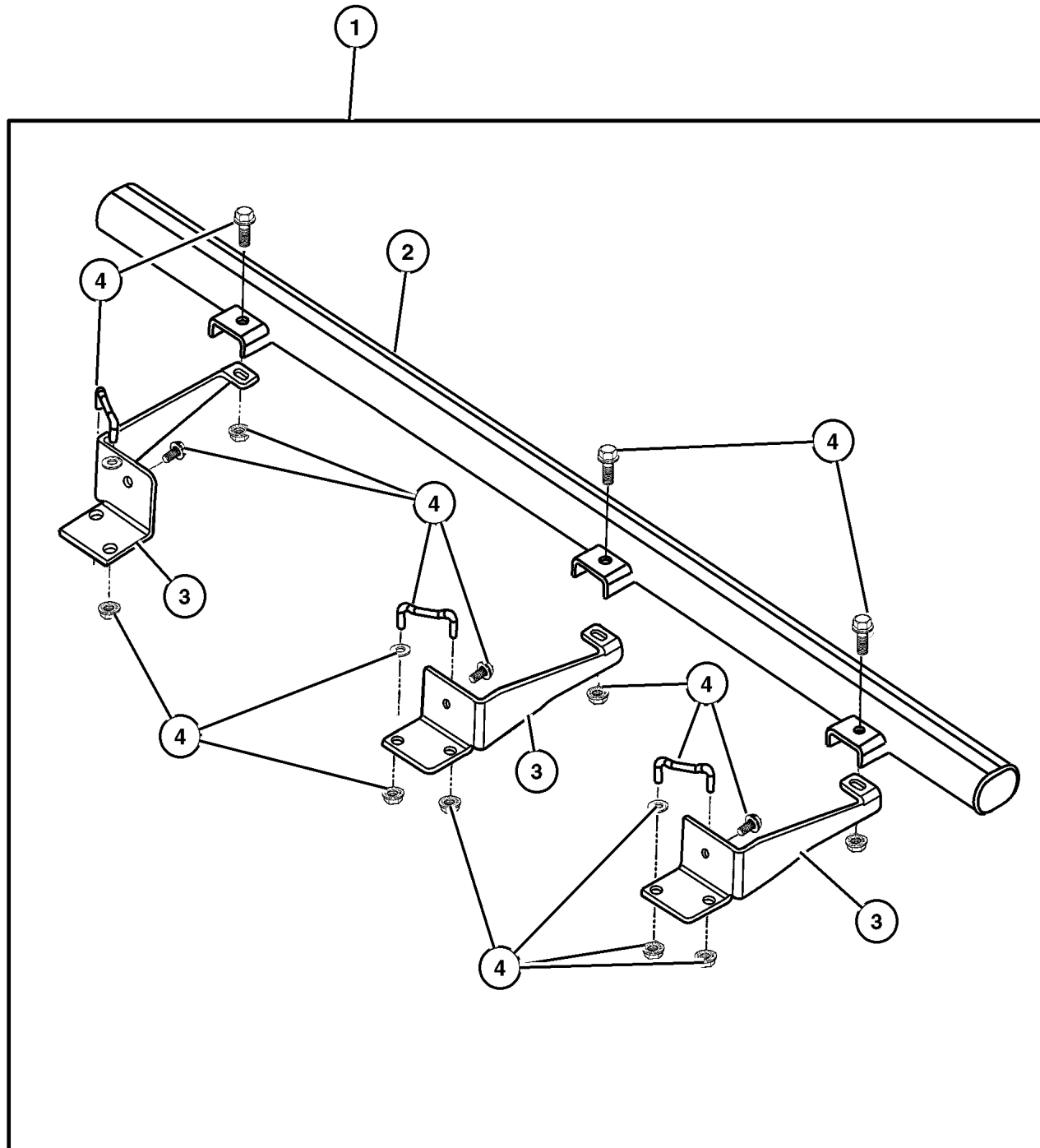
**JEEP CHEROKEE (XJ)**

SERIES	LINE	BODY	ENGINE	TRANSMISSION
P=Classic	J=LHD (4WD)	74=4 Dr.(101.4WB)	ENC,EN0=2.5L 4 cyl. Turbo Die	DDD, DDQ=5 spd. Man.
S=Limited	U=RHD (4WD)	72=2 Dr.(101.4WB)	ERH,ER0=4.0L Power Tech I-6	DGS=4 spd. Auto. AISIN
H=Sport	T=LHD (2WD)		EPE,EP0=Magnum 2.5L SMPI	DG0=All Auto/Trans.
L=SE	B=RHD (2WD)			DBB=All Manual Trans.

AR = Use as required - = Non illustrated part # = New this model year

April 5, 2002

**Guard - Rock Rails**  
**Figure 001-1020**



ITEM	PART NUMBER	QTY	LINE	BODY	DESCRIPTION
1	8220 5091	1	J, T	72, 74	GUARD KIT, Bodyside, Tubular Black Steel w/Moulded Splash Guards
2	#5018 983AA	1	J, T	72, 74	GUARD KIT, Bodyside Left
	#5018 984AA	1	J, T	72, 74	Right
3	#5018 985AA	1	J, T	72, 74	BRACKET, Mounting, Front, Center and Rear Left,Side
	#5019 248AA	1	J, T	72, 74	Right,Side
4	#5019 247AA	1	J, T	72, 74	HARDWARE KIT, Mounting

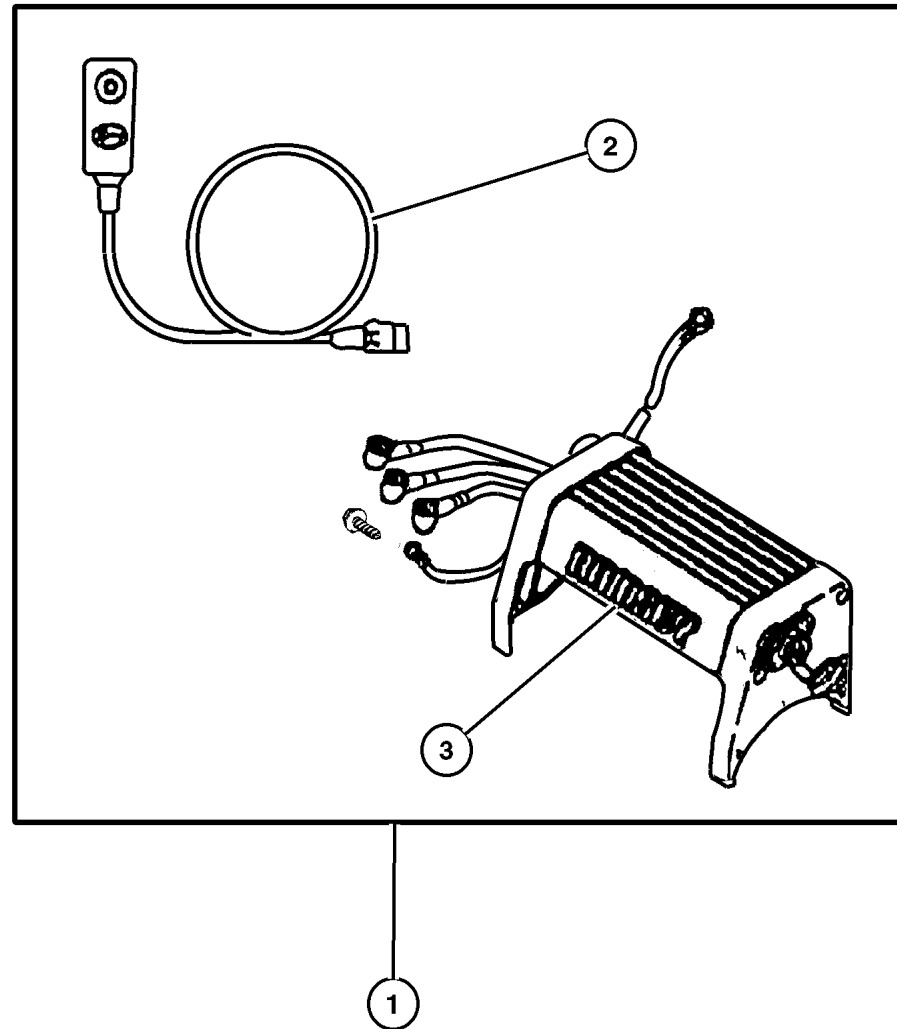
JEEP CHEROKEE (XJ)				
SERIES	LINE	BODY	ENGINE	TRANSMISSION
P=Classic	J=LHD (4WD)	74=4 Dr.(101.4WB)	ENC,EN0=2.5L 4 cyl. Turbo Die	DDD, DDQ=5 spd. Man.
S=Limited	U=RHD (4WD)	72=2 Dr.(101.4WB)	ERH,ER0=4.0L Power Tech I-6	DGS=4 spd. Auto. AISIN
H=Sport	T=LHD (2WD)		EPE,EP0=Magnum 2.5L SMPI	DG0=All Auto/Trans.
L=SE	B=RHD (2WD)			DBB=All Manual Trans.

AR = Use as required - = Non illustrated part # = New this model year

April 5, 2002

Winch Kit - Power  
Figure 001-1030

ITEM	PART NUMBER	QTY	LINE	BODY	DESCRIPTION
1					WINCH KIT, Power
	8220 4129	1	J	72, 74	9000H Series with 95 foot Cable.
	8220 4130	1	J	72, 74	6000H Series
	8220 4131	1	J	72, 74	8000H Series with 95 foot Cable.
	8220 4134	1	J	72, 74	8000HX Series
2	5018 221AA	1	J	72, 74	CABLE KIT, Winch, Switch Assembly is 12 feet long. Use only with Power Winch.
3					SOLENOID, Winch
	5018 363AA	1	J	72, 74	Includes Hardware, 12 volt rated
	5018 366AA	1	J	72, 74	Use for 8000HX Series



JEEP CHEROKEE (XJ)				
SERIES	LINE	BODY	ENGINE	TRANSMISSION
P=Classic	J=LHD (4WD)	74=4 Dr.(101.4WB)	ENC,EN0=2.5L 4 cyl. Turbo Die	DDD, DDQ=5 spd. Man.
S=Limited	U=RHD (4WD)	72=2 Dr.(101.4WB)	ERH,ER0=4.0L Power Tech I-6	DGS=4 spd. Auto. AISIN
H=Sport	T=LHD (2WD)		EPE,EP0=Magnum 2.5L SMPI	DG0=All Auto/Trans.
L=SE	B=RHD (2WD)			DBB=All Manual Trans.

AR = Use as required - = Non illustrated part # = New this model year

April 5, 2002

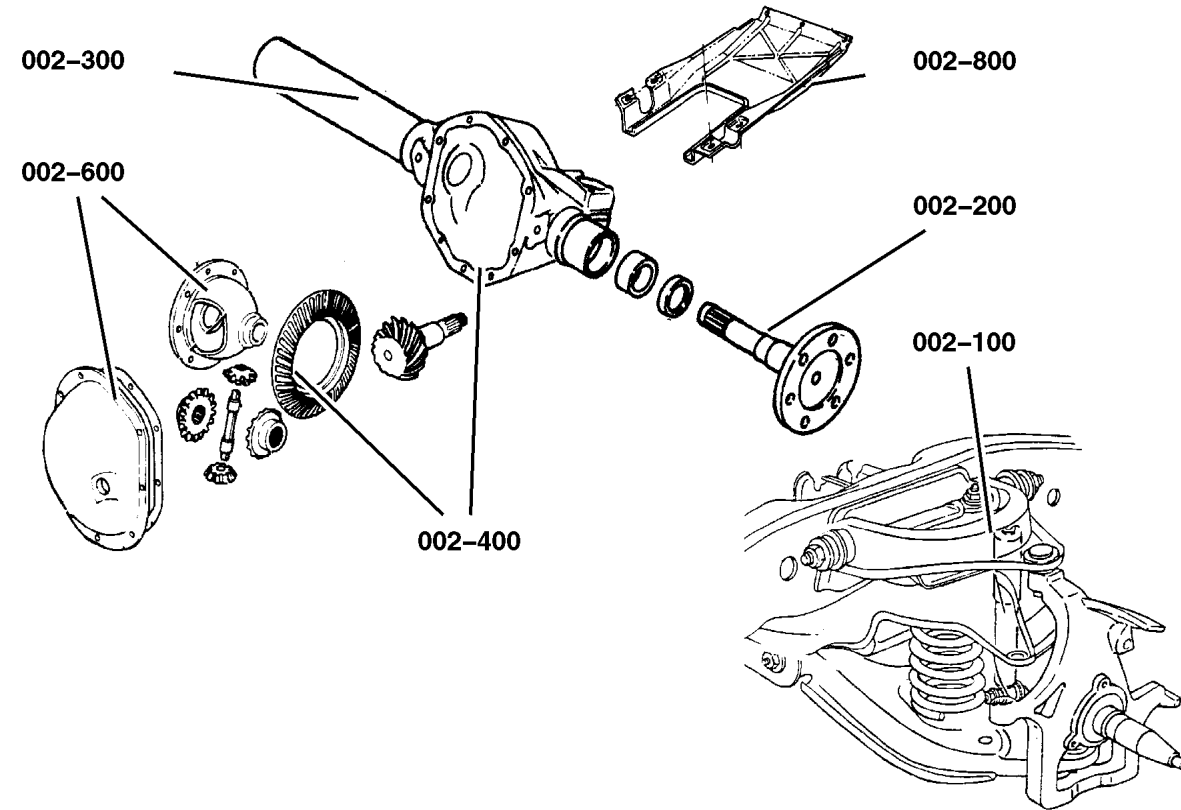
# Group – 002

## Front Suspension & Drive

### GROUP 2 - Front Suspension & Drive

Illustration Title

Group-Fig. No.



#### Front Suspension

BAR, Front Stabilizer Bar And Track Bar .....	Fig. 002-130
Front Spring and Shock Absorber .....	Fig. 002-140
Suspension Arms, Front .....	Fig. 002-150

#### Front Axle Drive Shafts

Shafts, Front Axle .....	Fig. 002-230
--------------------------	--------------

#### Front Axle Housing


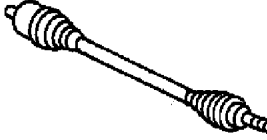
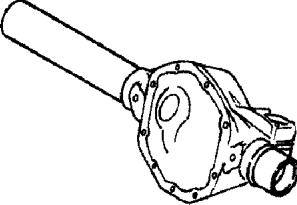
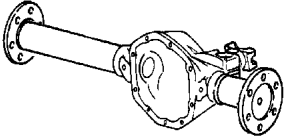
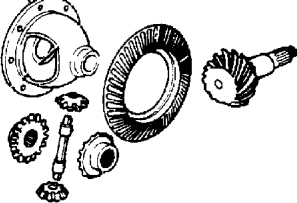
Housing, Front Axle 4 Wheel Drive .....	Fig. 002-330
Housing, Front Axle 2 Wheel Drive .....	Fig. 002-340

#### Front Axle Assembly

Axle Assembly, Front 4 Wheel Drive .....	Fig. 002-420
--	--------------

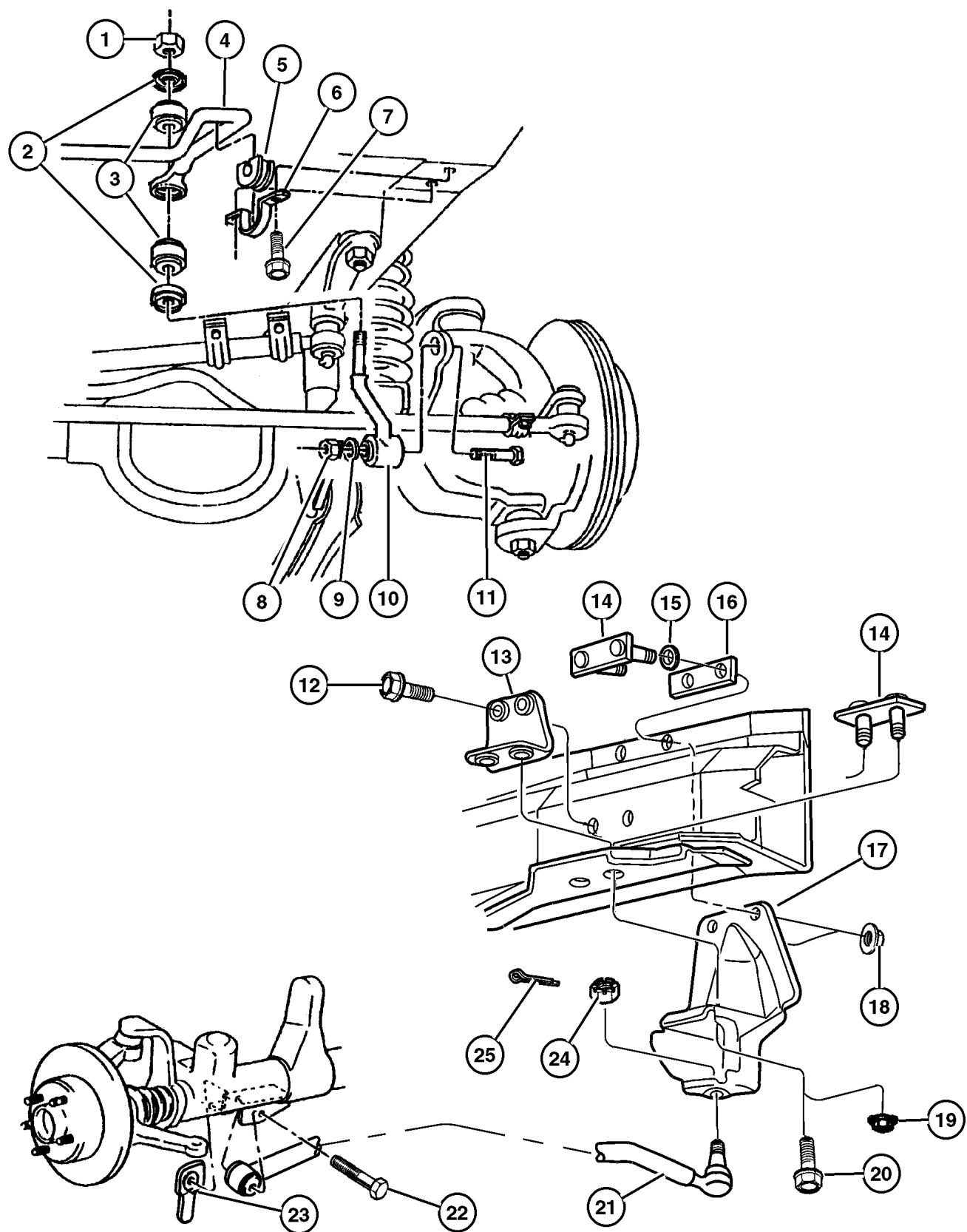
#### Front Axle Differential

Differential, Front Axle .....	Fig. 002-620
--------------------------------	--------------

<p><b>002-100</b> Front Suspension</p> 	<p><b>002-200</b> Front Axle Drive Shafts</p> 	<p><b>002-300</b> Front Axle Housing</p> 	<p><b>002-400</b> Front Axle Assembly</p> 
<p><b>002-600</b> Front Axle Differential</p> 			



**BAR, Front Stabilizer Bar And Track Bar**  
**Figure 002-130**



ITEM	PART NUMBER	QTY	LINE	BODY	ENGINE	TRANS	DESCRIPTION
NOTE; ENC= 2.5L DIESEL ENGINE, EPO= ALL 2.5L GAS ENGINES manual, 12 Disc Magazine.							
ERO= ALL 4.0L GAS ENGINES, DGO= ALL AUTOMATIC TRANSMISSIONS manual, 12 Disc Magazine.							
1							NUT, M10x1.50, (NOT SERVICED)
2	5208 7668	4					RETAINER, Sway Bar
3	5200 1132	4					GROMMET, Sway Bar
4	5208 7859	1					BAR, Front Sway
5	5208 8523	2					CUSHION, Sway Eliminator
6	5208 7865	2					RETAINER, Sway Bar
7	3420 1540	4					BOLT AND WASHER, Implement Attaching, Sway Bar Retainer Mounting
8	6502 697	2					NUT, Hex Flange Lock, M12x1.75, Sway Bar Link to Axle
9							WASHER, Flat, (NOT SERVICED)
10	5203 7849	2					LINK, Sway Eliminator
11	6503 032	2					SCREW, Pan Head, M12 x 1.75 x 58.00, Sway Bar Link to Axle
12	6502 137	2			ENC		BOLT, Hex Flange Head, M10x1.50x35, Track Bar Reinforcement Mounting
13							REINFORCEMENT, Track Bar
	5208 7861	1	J, T		ENC		LHD
	5203 7507	1	B, U				RHD
14							PLATE, Track Bar
	5200 1493	1	J, T		EPO		LHD-Mounting
		1	B, U		EPO		RHD-Mounting
15	J012 0396	1	B, U				WASHER, Flat, .531x1.09
16							BRACKET, Sill, (NOT SERVICED)
17							BRACKET, Track Bar
	52007 121AC	1	J, T				LHD-Mounting
	52006 508AC	1	B, U				RHD-Mounting
18	6502 697	2					NUT, Hex Flange Lock, M12x1.75, Track Bar Bracket Mounting
19	6502 697	2			ERO	DGO	NUT, Hex Flange Lock, M12x1.75, Track Bar Bracket Mounting
20	3420 1964	2					BOLT, Hex Flange Head, M12x1.75x40, Track Bar Mounting Bracket to Sill
21							BAR, Track
	5200 7118	1	J, T				LHD
	5305 4317	1	B, U				RHD
22	6505 549AA	1					SCREW, Track Bar To Axle Mounting
23							NUT, Hex Flange Lock, M10x1.5
	6506 264AA	1	J, T				Track Bar Axle Mounting Bolt
	5208 7888	1	B, U				Track Bar Axle Mounting Bolt
24	J027 4428	1					NUT, Hex Slotted, Track Bar Mounting

**JEEP CHEROKEE (XJ)**

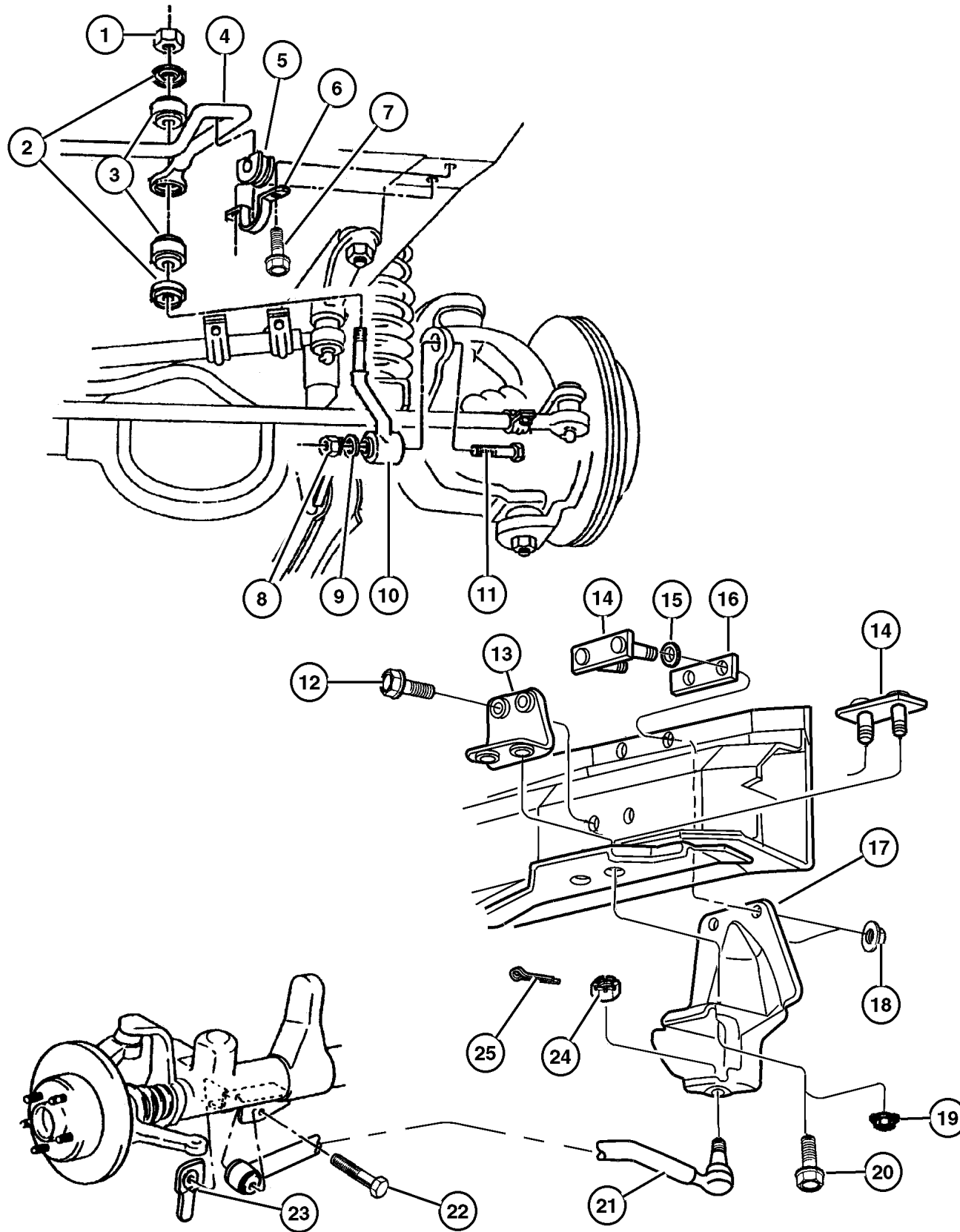
SERIES	LINE	BODY	ENGINE	TRANSMISSION
P=Classic	J=LHD (4WD)	74=4 Dr.(101.4WB)	ENC,EN0=2.5L 4 cyl. Turbo Die	DDD, DDQ=5 spd. Man.
S=Limited	U=RHD (4WD)	72=2 Dr.(101.4WB)	ERH,ER0=4.0L Power Tech I-6	DGS=4 spd. Auto. AISIN
H=Sport	T=LHD (2WD)		EPE,EP0=Magnum 2.5L SMPI	DG0=All Auto/Trans.
L=SE	B=RHD (2WD)			DBB=All Manual Trans.

AR = Use as required - = Non illustrated part # = New this model year

April 5, 2002

**BAR, Front Stabilizer Bar And Track Bar**  
**Figure 002-130**

ITEM	PART NUMBER	QTY	LINE	BODY	ENGINE	TRANS	DESCRIPTION
25	3420 2101	1					PIN, Cotter

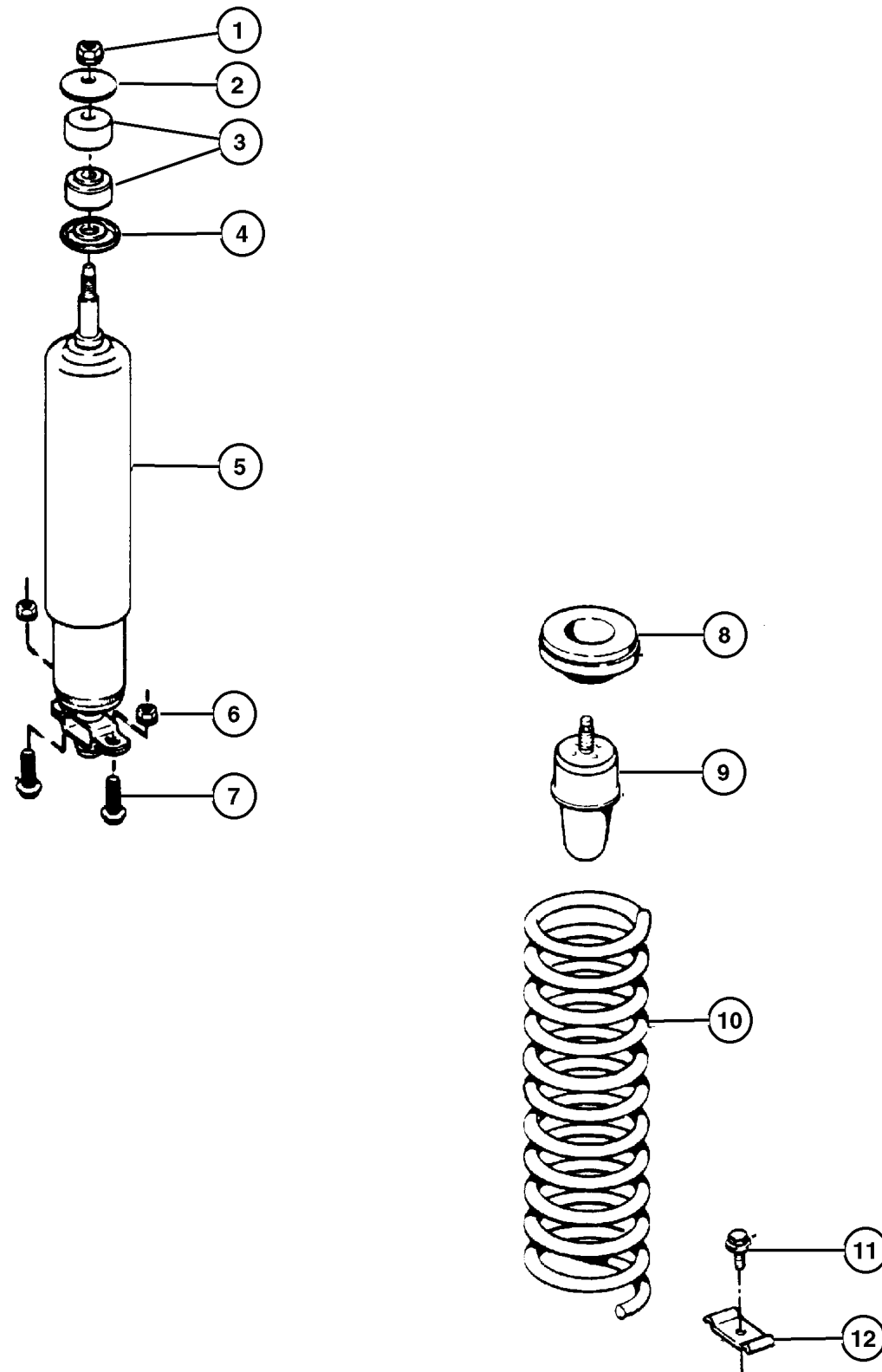


<b>JEEP CHEROKEE (XJ)</b>				
SERIES	LINE	BODY	ENGINE	TRANSMISSION
P=Classic	J=LHD (4WD)	74=4 Dr.(101.4WB)	ENC,EN0=2.5L 4 cyl. Turbo Die	DDD, DDQ=5 spd. Man.
S=Limited	U=RHD (4WD)	72=2 Dr.(101.4WB)	ERH,ER0=4.0L Power Tech I-6	DGS=4 spd. Auto. AISIN
H=Sport	T=LHD (2WD)		EPE,EP0=Magnum 2.5L SMPI	DG0=All Auto/Trans.
L=SE	B=RHD (2WD)			DBB=All Manual Trans.

AR = Use as required - = Non illustrated part # = New this model year

April 5, 2002

## Front Spring and Shock Absorber Figure 002-140



ITEM	PART NUMBER	QTY	LINE	BODY	ENGINE	TRANS	DESCRIPTION
NOTE: Sales Code ZFD Thru ZVJ= Spring Group Types, Found on Individual Vehicle Sales Code Listing. manual, 12 Disc Magazine.							
SDU=Heavy Duty W/Gas, ERO= All 4.0L Gas Engines manual, 12 Disc Magazine.							
SDA=Normal Duty manual, 12 Disc Magazine.							
NOTES; SALES CODE EP0 =2.5L GAS ENGINE, ERO = 4.0L ENGINE, ENC = 2.5 L DIESEL ENGINE manual, 12 Disc Magazine.							
1	6502 556	2					NUT, Hex, M10-1.5, Upper Shock Mounting
2	5203 8805	2					RETAINER, Suspension Strut Damper, Upper Shock Mounting
3	5208 7768	2					GROMMET, Shock Absorber, Upper Shock Mounting
4	5203 8809	2					RETAINER, Shock Absorber, Lower Shock Mounting
5	4897 413AD	2					SHOCK ABSORBER PACKAGE, Suspension, Front SDA
	4897 414AD	2					SDB
	4897 412AD	2	J, U				SDU
6	6101 695	4			ERO		NUT, Hex Flange Lock, M8x1.25, Lower Shock Mounting
7	6502 555	4					BOLT, M8x1.25x30, Lower Shock Mounting
8	5200 0229	2					ISOLATOR, Spring, Upper
9	5200 4295	2					BUMPER, Jounce, Upper
10	5200 1113	1					SPRING, Front Coil ZUD,ZFD
	5200 1114	1					ZUE,ZFE
	5200 1115	1					ZUF,ZFF
	5200 1116	1					ZUG,ZFG
	5200 1117	1					ZUH,ZFH
	5200 1118	1					ZUJ,ZFJ
	5200 1119	1					ZUK,ZFK
	5200 1120	1					ZVD,ZGD
	5200 1121	1					ZVE,ZGE
	5200 1122	1					ZVF,ZGF
	5200 1123	1					ZVG,ZGG
	5200 1124	1					ZVH,ZGH
	5200 1125	1					ZVJ,ZGJ
	5200 1793	1					ZVK,ZGK
	5200 1794	1					ZVL,ZGL
11	3420 1888	2					SCREW, Hex Head, Lower Front Coil Mounting
12	5300 0899	2					BRACKET, Spring, Lower Front Coil Mounting

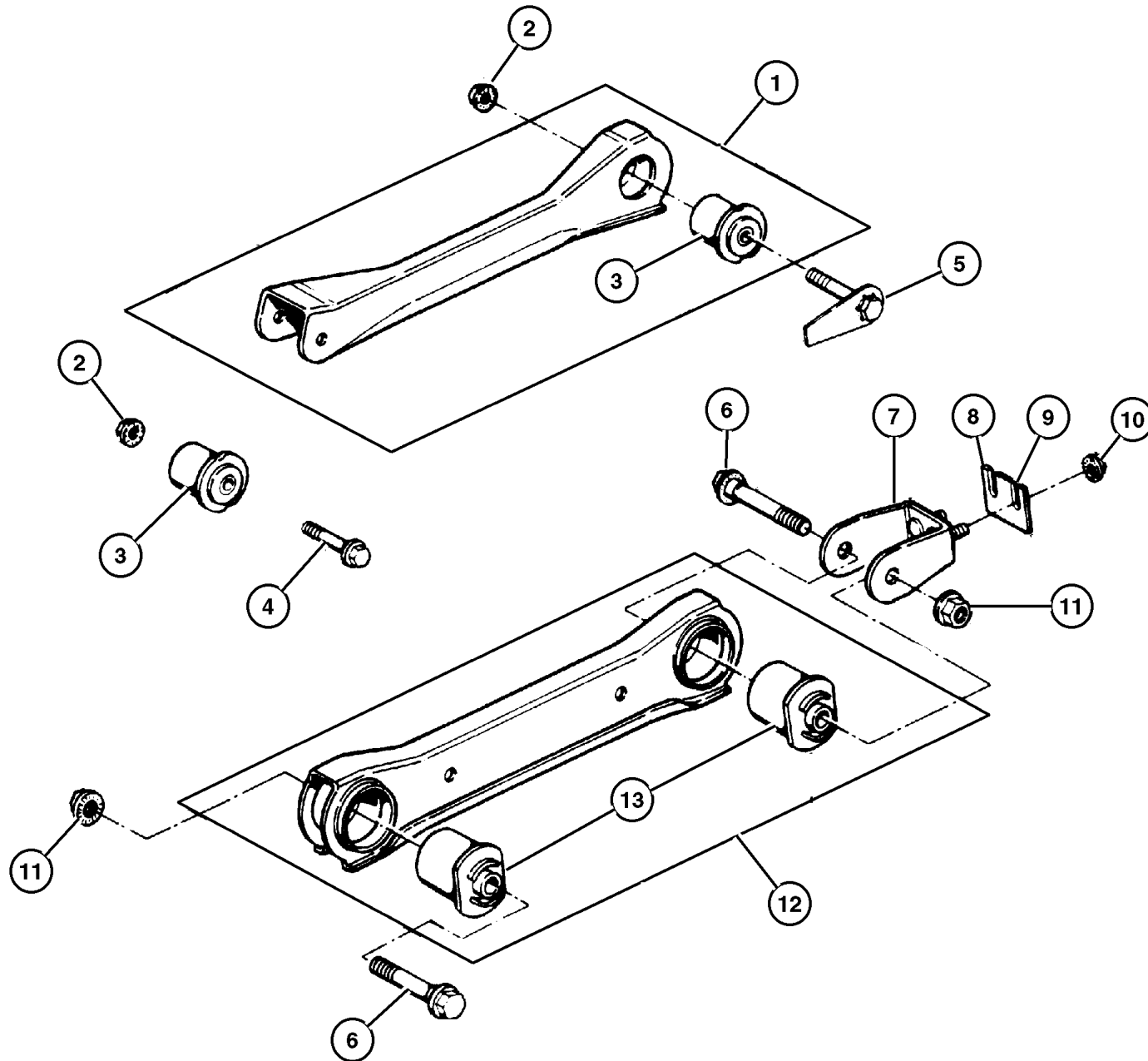
### JEEP CHEROKEE (XJ)

SERIES	LINE	BODY	ENGINE	TRANSMISSION
P=Classic	J=LHD (4WD)	74=4 Dr.(101.4WB)	ENC,EN0=2.5L 4 cyl. Turbo Die	DDD, DDQ=5 spd. Man.
S=Limited	U=RHD (4WD)	72=2 Dr.(101.4WB)	ERH,ER0=4.0L Power Tech I-6	DGS=4 spd. Auto. AISIN
H=Sport	T=LHD (2WD)		EPE,EP0=Magnum 2.5L SMPI	DG0=All Auto/Trans.
L=SE	B=RHD (2WD)			DBB=All Manual Trans.

AR = Use as required - = Non illustrated part # = New this model year

April 5, 2002

Suspension Arms, Front  
Figure 002-150



ITEM	PART NUMBER	QTY	LINE	BODY	ENGINE	TRANS	DESCRIPTION
Note: ERO= All 4.0L Gas Engines manual, 12 Disc Magazine.							
1	5208 7711	2					ARM, Control, Upper- with one Bushing
2	1150 6007	2					NUT, Hex Flange, M10x1.5, Upper Control Arm Attaching to Axle and Sill
3	5208 7852	2					BUSHING, Control Arm, Front and Rear Upper
4							BOLT, M10x1.50x75, (NOT SERVICED)
5	6505 153AA	2					BOLT, M10x1.50x85, Upper Control Arm Rear to Sill Attaching
6	3420 2118	2					BOLT, Hex Flange Head, M14x2.0x120, Lower Control Arm Rear to Clevis Attaching
7	5200 0532	2					CLEVIS, Lower Suspension Arm, To Sill
8	5200 0234	AR					SHIM, Control Arm, Caster and Pinion Angle Adjusting-.9mm Thick
9	5200 3976	AR					SHIM, Pinion Angle, Caster and Pinion Angle Adjusting-.4mm Thick
10	6101 695	4			ERO		NUT, Hex Flange Lock, M8x1.25, Clevis to Sill Mounting
11	1150 2814	4					NUT, Hex Flange Lock, M14z2, Clevis to Sill Mounting
12	#52001 162AB	2					ARM, Control, Lower with 2 Bushings
13	#52001 161AB	4					BUSHING, Control Arm, Lower-Front and Rear

JEEP CHEROKEE (XJ)

SERIES	LINE	BODY	ENGINE	TRANSMISSION
P=Classic	J=LHD (4WD)	74=4 Dr.(101.4WB)	ENC,EN0=2.5L 4 cyl. Turbo Die	DDD, DDQ=5 spd. Man.
S=Limited	U=RHD (4WD)	72=2 Dr.(101.4WB)	ERH,ER0=4.0L Power Tech I-6	DGS=4 spd. Auto. AISIN
H=Sport	T=LHD (2WD)		EPE,EP0=Magnum 2.5L SMPI	DG0=All Auto/Trans.
L=SE	B=RHD (2WD)			DBB=All Manual Trans.

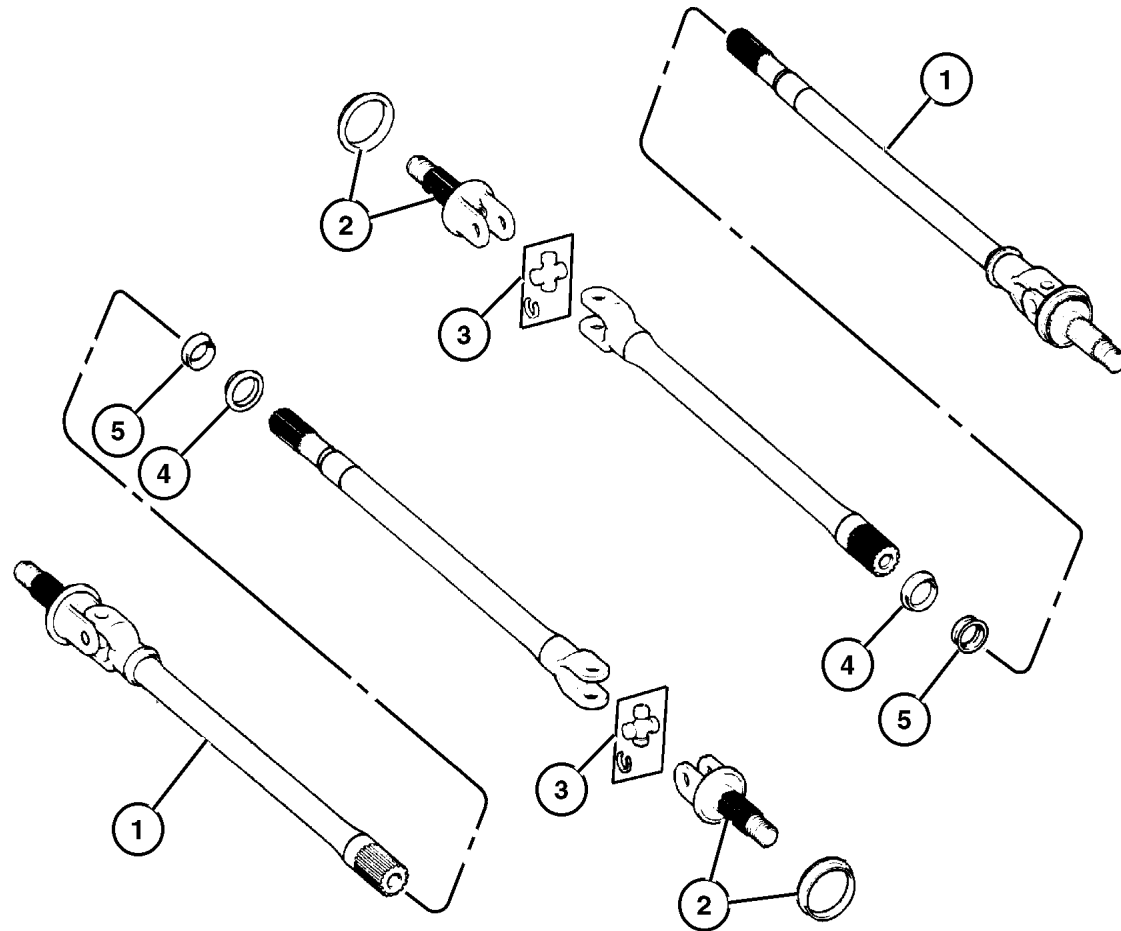
AR = Use as required - = Non illustrated part # = New this model year

April 5, 2002

**Shafts, Front Axle  
Figure 002-230**

ITEM	PART NUMBER	QTY	LINE	BODY	ENGINE	TRANS	DESCRIPTION
------	-------------	-----	------	------	--------	-------	-------------

Note: ENC= 2.5L Turbo Diesel Engine manual, 12 Disc Magazine.  
 BGA= Power Front Disc/ Rear Drum manual, 12 Disc Magazine.  
 BGK= 4 Wheel Anti-Lock Brakes manual, 12 Disc Magazine.



1	4874 306	1	J		ENC		SHAFT, Axle with BGK, Right
	4874 307	1	J		ENC		with BGK, Left
	4874 302	1	J				with BGA, Right
	4874 303	1	J				with BGA, Left
	4874 302	1	U				with BGA, Right
	4874 303	1	U				with BGA, Left
	4874 307	1	U		ENC		with BGK, Left
	4874 306	1	U		ENC		with BGK, Right
2	4728 984	2	J		ENC		SHAFT, Axle with BGK
	8350 0184	2	J				with BGA
		2	U				with BGA
	4728 984	2	U		ENC		with BGK
3	4137 757	2	J				U JOINT, Front Axle
		2	U				
4	4874 477	2	J				SEAL, Axle Drive Shaft
		2	U				
5	4882 135	2	J				SLINGER, Oil
		2	U				

**JEEP CHEROKEE (XJ)**

SERIES	LINE	BODY	ENGINE	TRANSMISSION
P=Classic	J=LHD (4WD)	74=4 Dr.(101.4WB)	ENC,EN0=2.5L 4 cyl. Turbo Die	DDD, DDQ=5 spd. Man.
S=Limited	U=RHD (4WD)	72=2 Dr.(101.4WB)	ERH,ER0=4.0L Power Tech I-6	DGS=4 spd. Auto. AISIN
H=Sport	T=LHD (2WD)		EPE,EP0=Magnum 2.5L SMPI	DG0=All Auto/Trans.
L=SE	B=RHD (2WD)			DBB=All Manual Trans.

AR = Use as required - = Non illustrated part # = New this model year

April 5, 2002

## Housing, Front Axle 4 Wheel Drive Figure 002-330

ITEM	PART NUMBER	QTY	LINE	BODY	ENGINE	TRANS	DESCRIPTION
------	-------------	-----	------	------	--------	-------	-------------

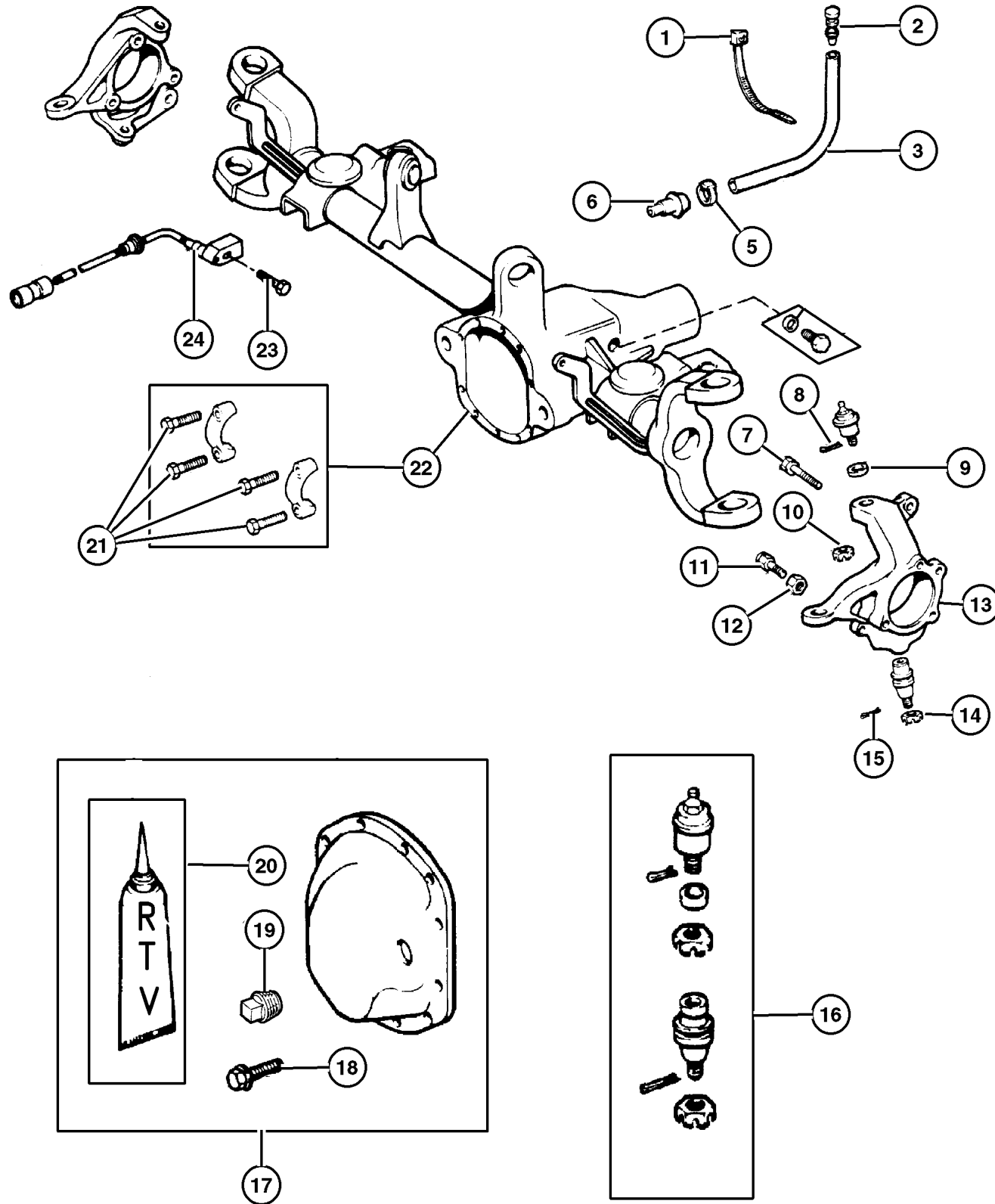
Note; ENO= All 2.5L Diesel Engines, manual, 12 Disc Magazine.  
 ENC= 2.5L Turbo Diesel Engine manual, 12 Disc Magazine.  
 DDQ= 5 Speed Manual Transmission manual, 12 Disc Magazine.  
 manual, 12 Disc Magazine.  
 NOTES; SALES CODE EP0 = 2.5 L GAS ENGINE,ERO = 4.0 L ENGINE, ENC 2.5 L DIESEL ENGINE manual, 12 Disc Magazine.

1	4641 780	1	J, U				STRAP, Tie, Holds Upper Vent Hose in Place
2	J535 2955	1	J, U				VENT, Axle, Upper
3	HFV0 0516	1	J, U				HOSE, Fuel And Vapor, 25 Foot Roll 5/16", Axle Vent
-4	#52099 355AA	1	J, U		ERO		HOSE, Axle Vent, Contains Upper Vent,Heat Shield, Strap and Hose
5	6502 081	1			ENO		CLAMP, Oil Cooler Line, Lower
6	8350 4653	1	J				Lower
		1	U				Lower
7	3420 1535	6	J				BOLT
		6	U				Knuckle to Hub and Bearing
8	1101 0069	6	J		ENC		PIN, Cotter, M4x40.00
		6	U		ENC		Upper Ball Joint Nut
9	8350 0203	1	J				RING, Ball Joint
		2	U				Upper
10	J012 5258	2	J				NUT, Hex Slotted
		2	U				Upper Ball Joint Mounting
11	1791 701	2	J				BOLT, Steering Knuckle Stop
		2	U				
12	S011 4494	2	J				NUT, Steering Knuckle
		2	U				Stop Bolt
		2	U				Stop Bolt
13	5206 7576	1	J				KNUCKLE, Front
		1	U				Right
	5206 7577	1	J				Right
		1	J				Left
		1	U				Left
14	J812 3318	2	J				NUT
		2	U				Lower Ball Joint Mounting
		2	U				Lower Ball Joint Mounting
15							PIN, Cotter, M4x40.00

JEEP CHEROKEE (XJ)				
SERIES	LINE	BODY	ENGINE	TRANSMISSION
P=Classic	J=LHD (4WD)	74=4 Dr.(101.4WB)	ENC,ENO=2.5L 4 cyl. Turbo Die	DDD, DDQ=5 spd. Man.
S=Limited	U=RHD (4WD)	72=2 Dr.(101.4WB)	ERH,ER0=4.0L Power Tech I-6	DGS=4 spd. Auto. AISIN
H=Sport	T=LHD (2WD)		EPE,EP0=Magnum 2.5L SMPI	DG0=All Auto/Trans.
L=SE	B=RHD (2WD)			DBB=All Manual Trans.

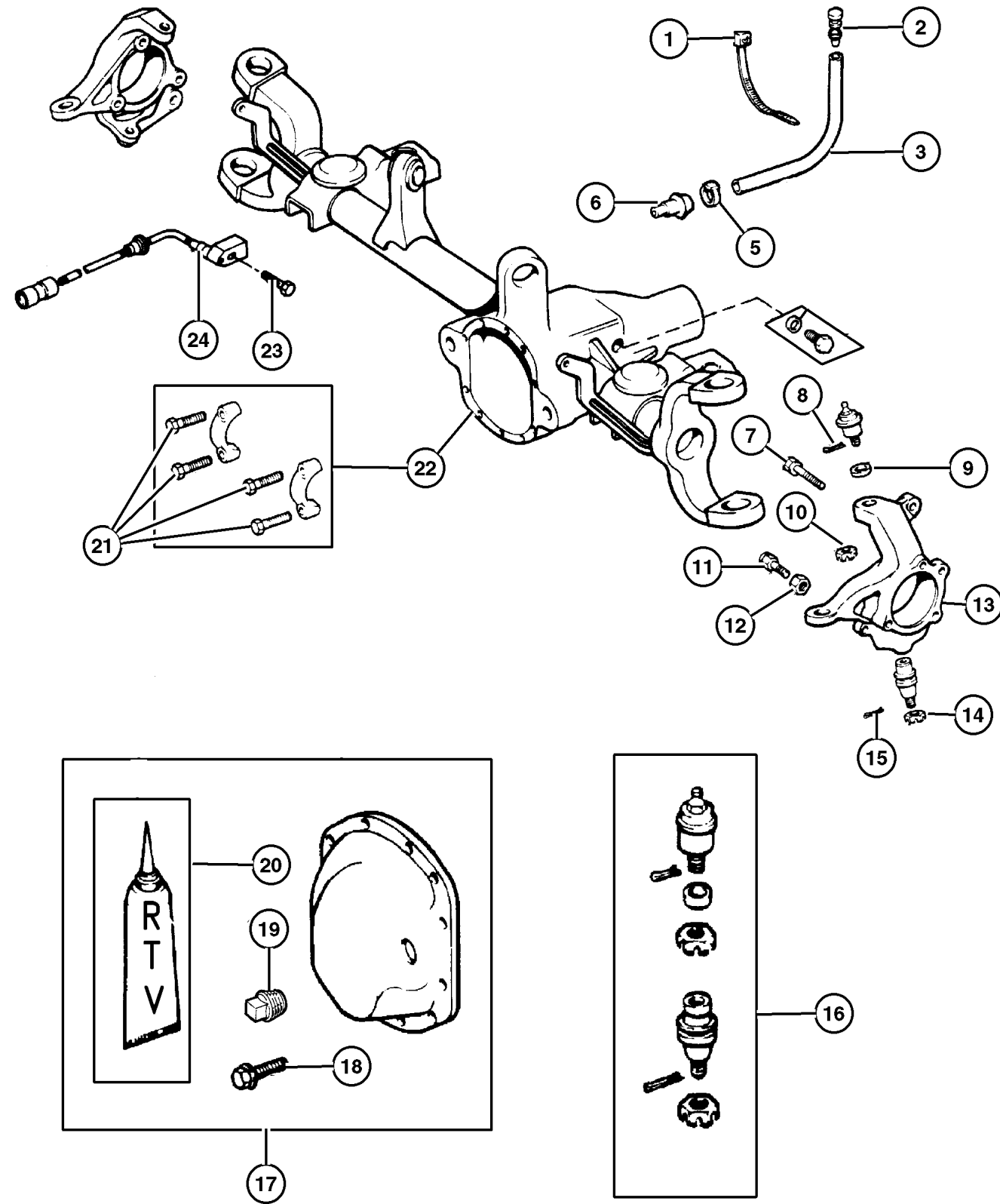
AR = Use as required - = Non illustrated part # = New this model year

April 5, 2002



### Housing, Front Axle 4 Wheel Drive Figure 002-330

ITEM	PART NUMBER	QTY	LINE	BODY	ENGINE	TRANS	DESCRIPTION
	1101 0069	6	J		ENC		Lower Ball Joint Mounting
16		6	U		ENC		Lower Ball Joint Mounting
	8350 0202	2	J				BALL JOINT KIT, Knuckle
17		1	J				COVER, Differential
	4713 451	1	J				Consists 1-Cover,10 Cover Screws and 1 Cover plug
18		1	U				Consists 1-Cover,10 Cover Screws and 1 Cover plug
	2954 031	10	J				BOLT, Differential Cover
19		10	U				
	J400 4751	1	J				PLUG, Differential Cover
20		1	U				
	5010 884AA	1	J, U		EPO	DDQ	SEALANT, RTV
21		1	J				BOLT, Differential
	4897 482AB	4	J				Side Bearing Cap Mounting
22		4	U				Side Bearing Cap Mounting
	#5015 978AA	1	J				HOUSING, Front Axle
23		1	J		ENC		with 3.07,3.55 Ratios
	4778 905	1	J				with 3.73 Ratio
24		1	J				with 4.10 Ratio
	#5016 112AA	1	U				with 3.55 Ratio
23		1	U		ENC		with 3.73 Ratio
	4773 429	1	U				with 4.10 Ratio
23		1	U				BOLT
	8350 4920	2	J		ENC		Sensor Mounting
24		2	U		ENC		Sensor Mounting
	5600 5217	2	J		ENC		SENSOR, Anti-Lock Brakes
		2	U		ENC		

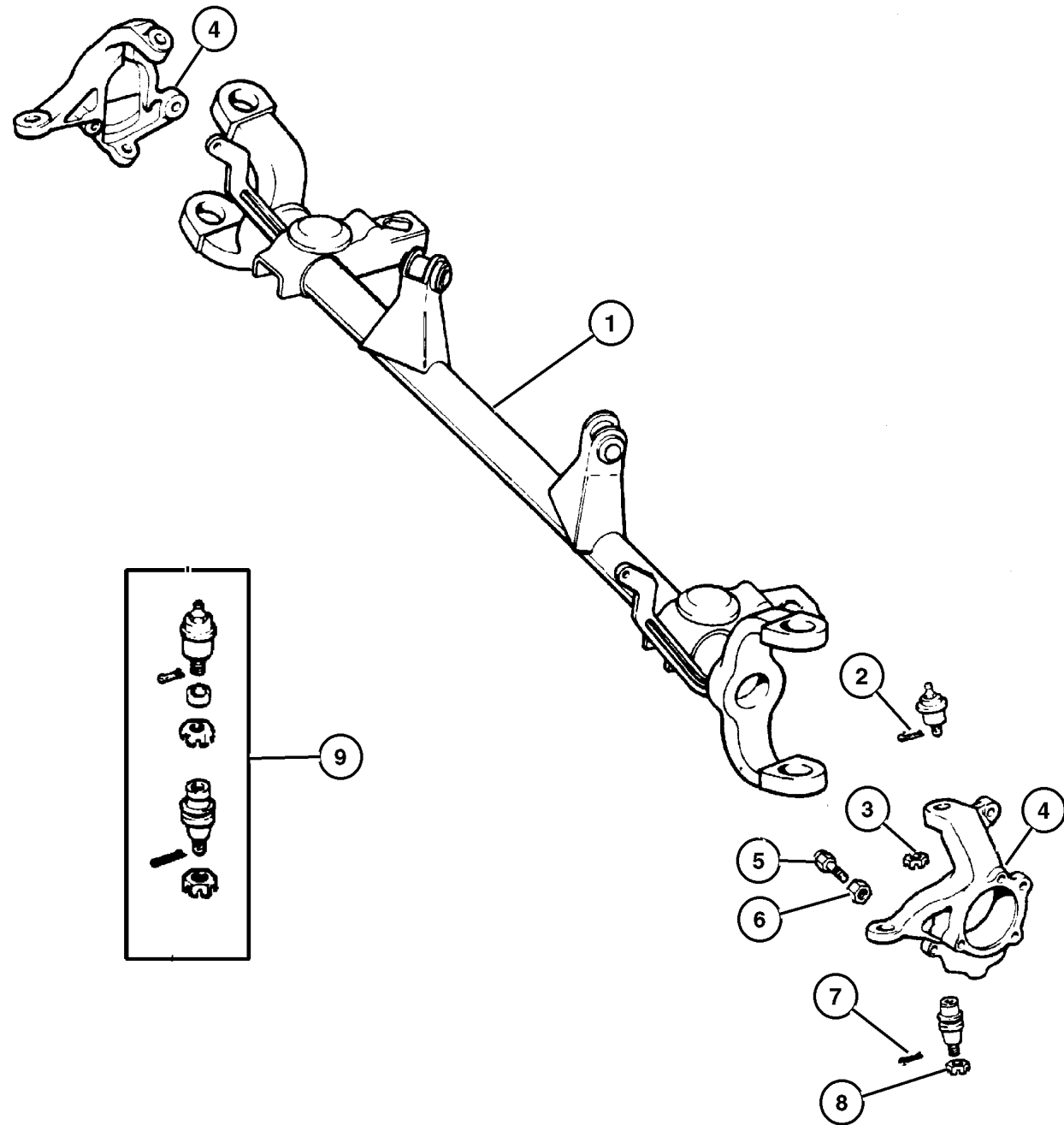


**JEEP CHEROKEE (XJ)**  
 SERIES LINE BODY ENGINE TRANSMISSION  
 P=Classic J=LHD (4WD) 74=4 Dr.(101.4WB) ENC,EN0=2.5L 4 cyl. Turbo Die DDD, DDQ=5 spd. Man.  
 S=Limited U=RHD (4WD) 72=2 Dr.(101.4WB) ERH,ER0=4.0L Power Tech I-6 DGS=4 spd. Auto. AISIN  
 H=Sport T=LHD (2WD) EPE,EP0=Magnum 2.5L SMPI DG0=All Auto/Trans.  
 L=SE B=RHD (2WD) DBB=All Manual Trans.

AR = Use as required - = Non illustrated part # = New this model year

April 5, 2002

Housing, Front Axle 2 Wheel Drive  
Figure 002-340



ITEM	PART NUMBER	QTY	LINE	BODY	ENGINE	TRANS	DESCRIPTION
1							HOUSING, Front Axle
	#5017 166AA	1	T				
		1	B	74			
2	J812 1392	2	T				PIN, Cotter
		2	B	74			
3	J012 5258	1	T				NUT, Hex Slotted
		1	B	74			
4	5206 7576	1	T				KNUCKLE, Front Right
	5206 7577	1	T				Left
	5206 7576	1	B	74			Right
	5206 7577	1	B	74			Left
5	1791 701	2	T				BOLT, Steering Knuckle Stop
		2	B	74			
6	S011 4494	2	T				NUT, Steering Knuckle
		2	B	74			
7	1101 0069	6	T				PIN, Cotter, M4x40.00
		6	B	74			
8	J812 3318	1	T				NUT
		1	B	74			
9	8350 0202	2	T				BALL JOINT KIT, Knuckle
		2	B	74			

JEEP CHEROKEE (XJ)

SERIES	LINE	BODY	ENGINE	TRANSMISSION
P=Classic	J=LHD (4WD)	74=4 Dr.(101.4WB)	ENC,EN0=2.5L 4 cyl. Turbo Die	DDD, DDQ=5 spd. Man.
S=Limited	U=RHD (4WD)	72=2 Dr.(101.4WB)	ERH,ER0=4.0L Power Tech I-6	DGS=4 spd. Auto. AISIN
H=Sport	T=LHD (2WD)		EPE,EP0=Magnum 2.5L SMPI	DG0=All Auto/Trans.
L=SE	B=RHD (2WD)			DBB=All Manual Trans.

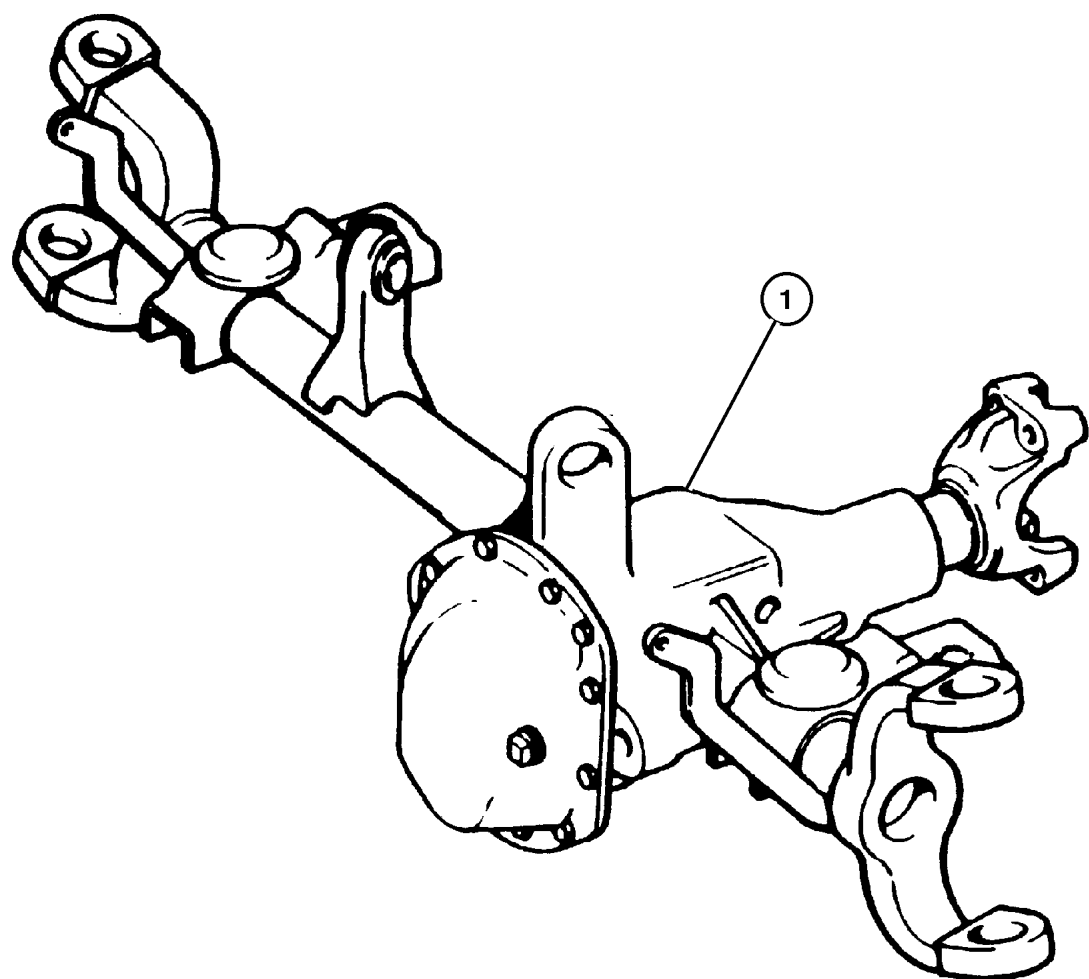
AR = Use as required - = Non illustrated part # = New this model year

April 5, 2002



**Axle Assembly, Front 4 Wheel Drive  
Figure 002-420**

ITEM	PART NUMBER	QTY	LINE	BODY	ENGINE	TRANS	DESCRIPTION
Note: ENC= 2.5L Turbo Diesel Engine manual, 12 Disc Magazine.							
1							AXLE, Service Front
	#5015 979AA	1	J				3.07-Tag 52111051AA,52111052AA,52099368AA,52099369AA
	#5015 982AA	1	J				3.55-Tag 52111053AA,52111054AA,52111216AA,52099371AA
	4778 909	1	J		ENC		3.73-Tag 52068737AD,52068737AE,52068738AD,52068738AE
	4773 454	1	J				4.10-Tag 52069195AD,52099370AA,52069201AE
	#5016 113AA	1	U				3.55-Tag 52111055AA,52111056AA,52099372A,52099373AA
	4797 780	1	U		ENC		3.73-Tag 52099300AD,52099300AE,52099301AD
	4798 029	1	U				4.10-Tag 52069201AD

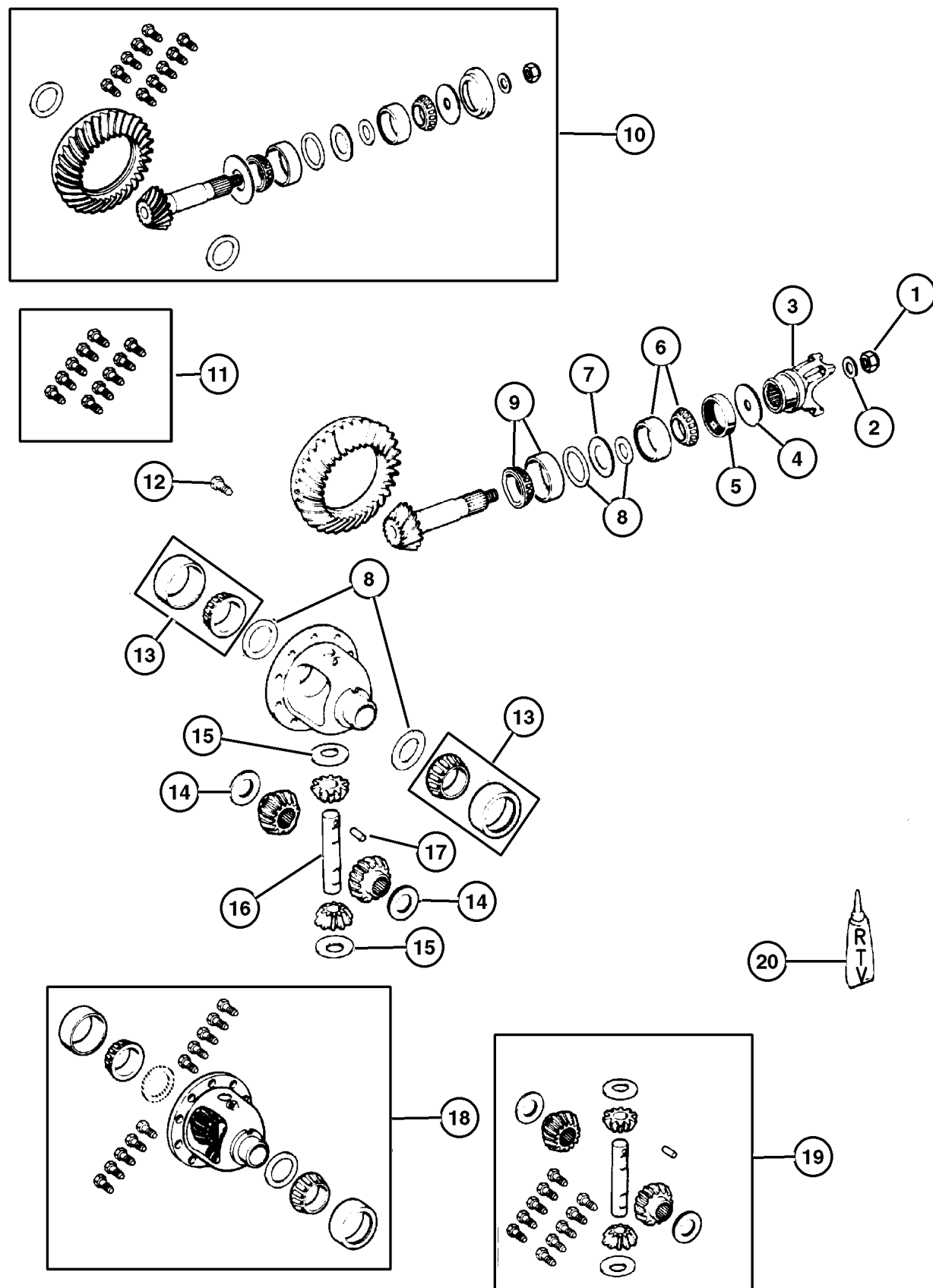


JEEP CHEROKEE (XJ)				
SERIES	LINE	BODY	ENGINE	TRANSMISSION
P=Classic	J=LHD (4WD)	74=4 Dr.(101.4WB)	ENC,EN0=2.5L 4 cyl. Turbo Die	DDD, DDQ=5 spd. Man.
S=Limited	U=RHD (4WD)	72=2 Dr.(101.4WB)	ERH,ER0=4.0L Power Tech I-6	DGS=4 spd. Auto. AISIN
H=Sport	T=LHD (2WD)		EPE,EP0=Magnum 2.5L SMPI	DG0=All Auto/Trans.
L=SE	B=RHD (2WD)			DBB=All Manual Trans.

AR = Use as required - = Non illustrated part # = New this model year

April 5, 2002

## Differential, Front Axle Figure 002-620



ITEM	PART NUMBER	QTY	LINE	BODY	ENGINE	TRANS	DESCRIPTION
Note: ENC= 2.5L Turbo Diesel Engine manual, 12 Disc Magazine.							
1	1791 575	1	J				NUT, Pinion Yoke
		1	U				
2	1791 576	1	J				WASHER, Pinion Yoke
		1	U				
3	8350 3388	1	J				YOKE, Axle
		1	U				
4	4031 974	1	J				SLINGER, Drive Pinion
		1	U				
5	4746 772	1	J				SEAL, Drive Pinion
		1	U				
6	5252 508	1	J				BEARING, Drive Pinion
		1	U				Front Bearing and Cup
							Front Bearing and Cup
7	4864 845	1	J				SPACER
		1	U				Crush
							Crush
8	5017 134AA	1	J				SHIM KIT, Differential
							Consists of All Shims for the Differential for Pinion and Carrier Bearings
		1	U				Consists of All Shims for the Differential for Pinion and Carrier Bearings
9	J812 6499	1	J				BEARING, Drive Pinion
		1	U				Rear Bearing and Cup
							Rear Bearing and Cup
10	4864 853	1	J				GEAR KIT, Ring And Pinion
	5012 476AA	1	J				3.07 Ratio
	4746 074	1	J		ENC		3.55 Ratio
	8350 2353	1	J				3.73 Ratio
	5012 476AA	1	U				4.10 Ratio
	4746 074	1	U		ENC		3.55 Ratio
	8350 2353	1	U				3.73 Ratio
							4.10 Ratio
11	4720 891	1	J				BOLT KIT, Consists of 10-5252503 Screws
12	5252 503	10	J				SCREW, Drive Gear
		10	U				
13							BEARING, Differential

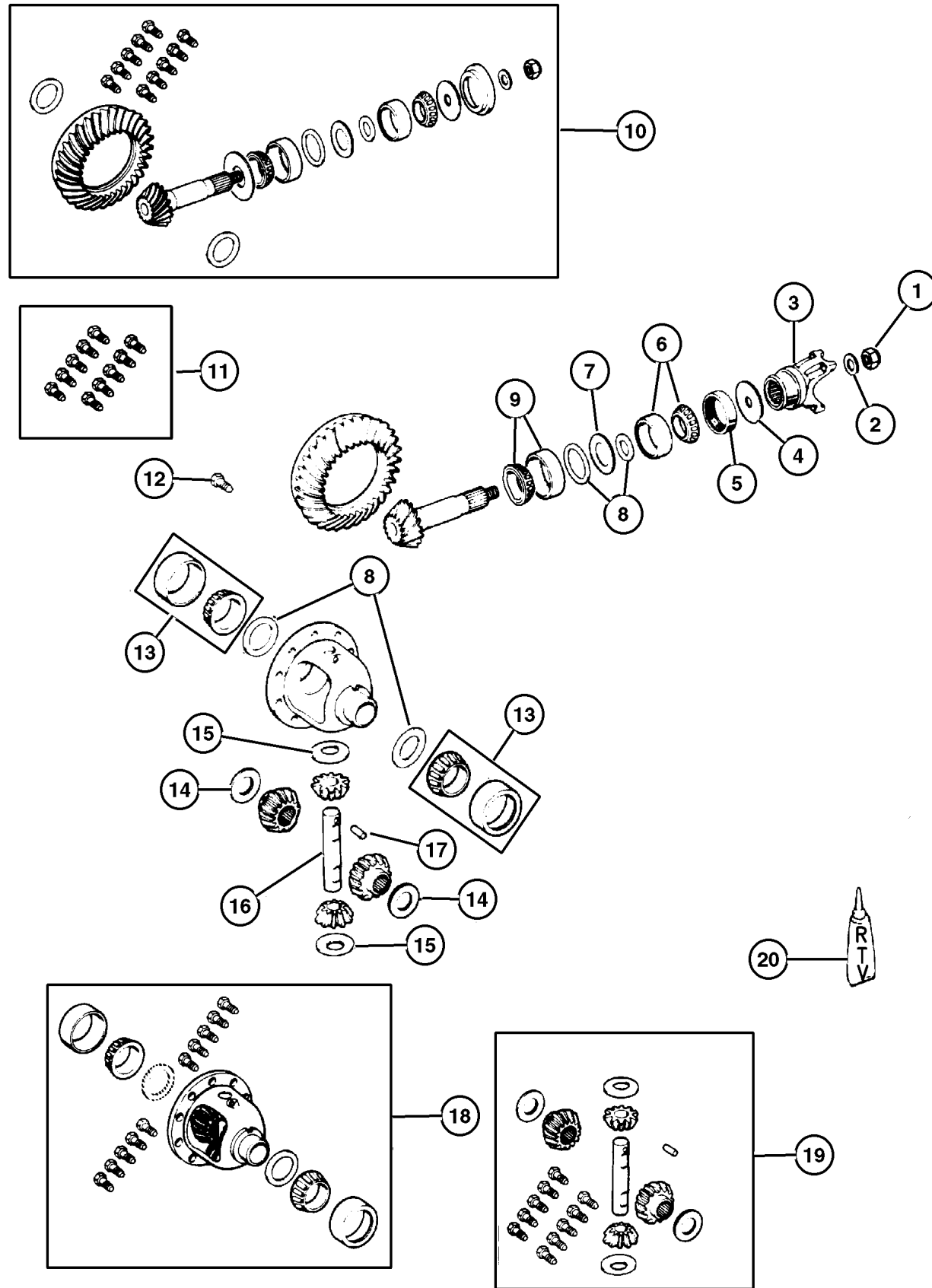
### JEEP CHEROKEE (XJ)

SERIES	LINE	BODY	ENGINE	TRANSMISSION
P=Classic	J=LHD (4WD)	74=4 Dr.(101.4WB)	ENC,EN0=2.5L 4 cyl. Turbo Die	DDD, DDQ=5 spd. Man.
S=Limited	U=RHD (4WD)	72=2 Dr.(101.4WB)	ERH,ER0=4.0L Power Tech I-6	DGS=4 spd. Auto. AISIN
H=Sport	T=LHD (2WD)		EPE,EP0=Magnum 2.5L SMPI	DG0=All Auto/Trans.
L=SE	B=RHD (2WD)			DBB=All Manual Trans.

AR = Use as required - = Non illustrated part # = New this model year

April 5, 2002

### Differential, Front Axle Figure 002-620



ITEM	PART NUMBER	QTY	LINE	BODY	ENGINE	TRANS	DESCRIPTION
	J812 6500	1	J				Consists of 2 Bearings and 2 Cups
		1	U				Consists of 2 Bearings and 2 Cups
14	J812 0831	2	J				WASHER, Flat Pinion Gear Thrust
		2	U				Pinion Gear Thrust
15	J813 3724	2	J				WASHER, Flat Side Gear Thrust
		2	U				Side Gear Thrust
16							SHAFT, Differential
	5003 840AA	1	J				
		1	U				
17							PIN, Differential Shaft
	1791 563	1	J				
		1	U				
18							CASE, Differential 3.07,3.55 Ratio
	5252 582	1	J				
	5252 590	1	J				3.73,4.10 Ratio
19							GEAR KIT, Center Differential
	5252 591	1	J				
		1	U				
20	5010 884AA	1	J, U		EPO	DDQ	SEALANT, RTV

JEEP CHEROKEE (XJ)		BODY	ENGINE	TRANSMISSION
SERIES	LINE	74=4 Dr.(101.4WB)	ENC,EN0=2.5L 4 cyl. Turbo Die	DDD, DDQ=5 spd. Man.
P=Classic	J=LHD (4WD)	72=2 Dr.(101.4WB)	ERH,ER0=4.0L Power Tech I-6	DGS=4 spd. Auto. AISIN
S=Limited	U=RHD (4WD)		EPE,EP0=Magnum 2.5L SMPI	DG0=All Auto/Trans.
H=Sport	T=LHD (2WD)			DBB=All Manual Trans.
L=SE	B=RHD (2WD)			

AR = Use as required - = Non illustrated part # = New this model year

April 5, 2002

# Group – 003

## Rear Axle

### GROUP 3 - Rear Axle

Illustration Title

Group-Fig. No.

#### Rear Axle

Axle Assembly,Rear-Chrysler Model 8.25 ..... Fig. 003-110

Axle Assembly, Rear Dana Model 35 ..... Fig. 003-120

#### Differential and Housing

Differential and Housing-Chrysler Model 8.25 ..... Fig. 003-210

Housing, Rear Axle Dana Model 35 ..... Fig. 003-250

Differential,Without Trac-Lok-Dana Model 35 ..... Fig. 003-260

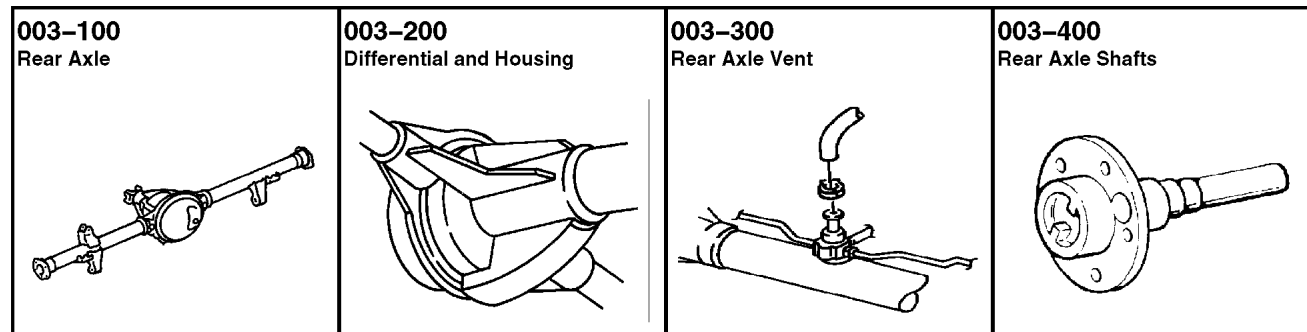
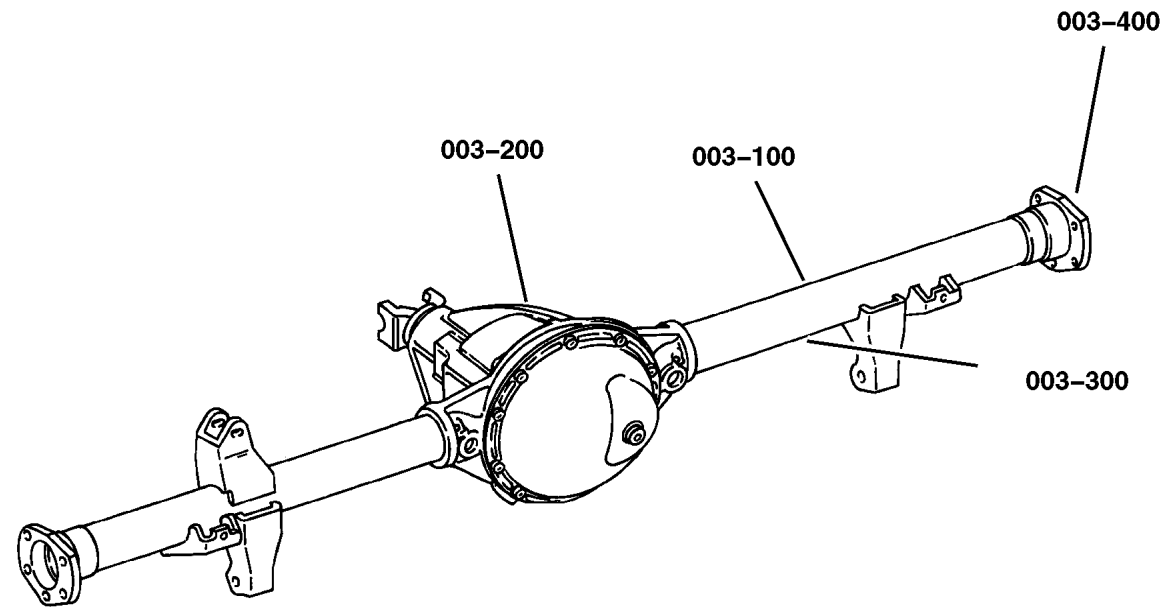
Differential, With Trac-Lok-Dana Model 35 ..... Fig. 003-270

#### Rear Axle Vent

Vent, Axle ..... Fig. 003-305

#### Rear Axle Shafts

Shaft, Rear Axle Dana Model 35 ..... Fig. 003-430

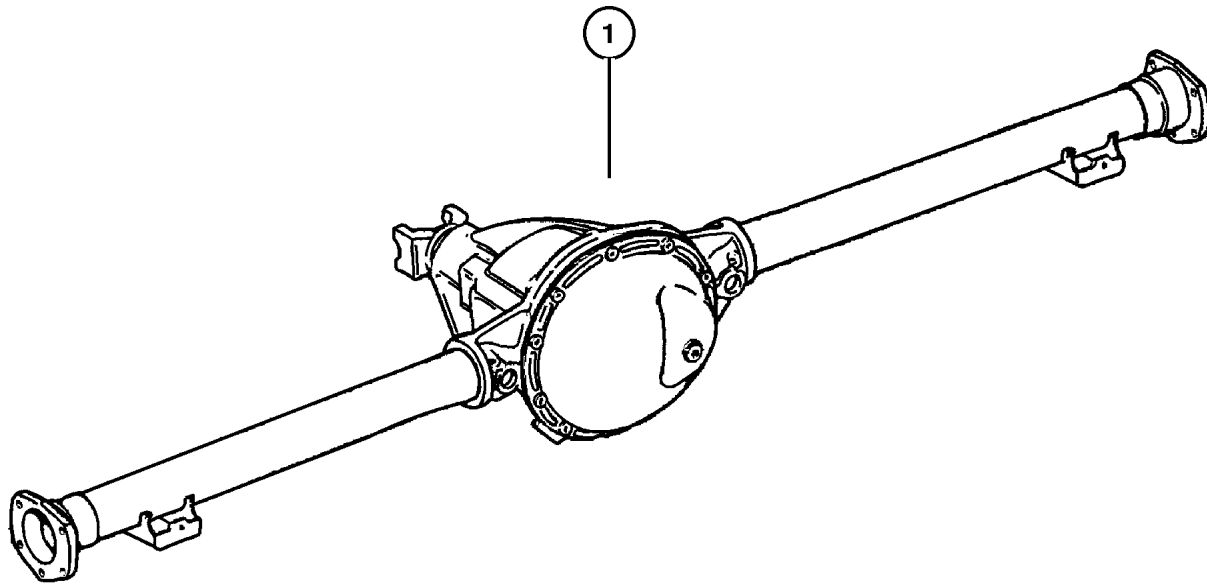


**Axle Assembly,Rear-Chrysler Model 8.25**  
**Figure 003-110**

ITEM	PART NUMBER	QTY	LINE	SERIES	BODY	DESCRIPTION
------	-------------	-----	------	--------	------	-------------

Note: DSA= Trac-Lok Differential manual, 12 Disc Magazine.

1						AXLE, Service Rear
	4886 139AB	1				[DMM,-DSA] with Tag 52078715AF
	4886 140AB	1				[DMM,+DSA] with Tag 52099380AE
	4886 138AA	1				[DMD,-DSA] with Tag 52098716AF
	4886 133AA	1				[DMD,+DSA] with Tag 52098717AF
	4886 148AB	1				[DMF,-DSA] with Tag 52098718AG
	4886 145AB	1				[DMF,+DSA] with Tag 52099381AF



JEEP CHEROKEE (XJ)				
SERIES	LINE	BODY	ENGINE	TRANSMISSION
P=Classic	J=LHD (4WD)	74=4 Dr.(101.4WB)	ENC,EN0=2.5L 4 cyl. Turbo Die	DDD, DDQ=5 spd. Man.
S=Limited	U=RHD (4WD)	72=2 Dr.(101.4WB)	ERH,ER0=4.0L Power Tech I-6	DGS=4 spd. Auto. AISIN
H=Sport	T=LHD (2WD)		EPE,EP0=Magnum 2.5L SMPI	DG0=All Auto/Trans.
L=SE	B=RHD (2WD)			DBB=All Manual Trans.

AR = Use as required - = Non illustrated part # = New this model year

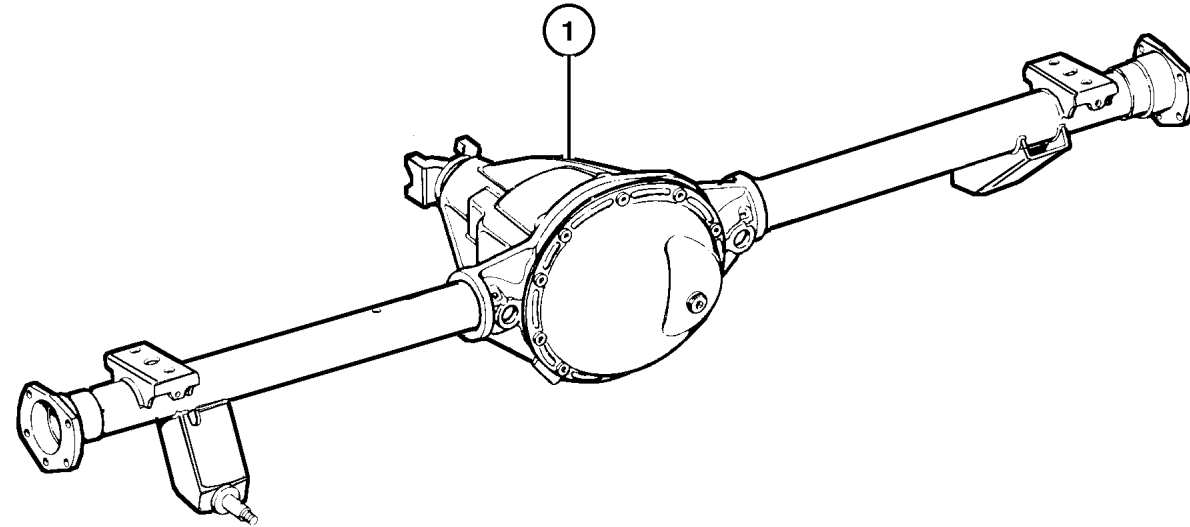
April 5, 2002

**Axle Assembly, Rear Dana Model 35**  
**Figure 003-120**

ITEM	PART NUMBER	QTY	LINE	SERIES	BODY	DESCRIPTION
------	-------------	-----	------	--------	------	-------------

Note:Sales Codes; manual, 12 Disc Magazine.  
 [DMD]=Axle Ratio - 3.55 manual, 12 Disc Magazine.  
 [DME]=Axle Ratio - 3.73 manual, 12 Disc Magazine.  
 [DMM]=Axle Ratio - 3.07 manual, 12 Disc Magazine.  
 [DRJ]=Axle - Rear,Dana M35/194MM manual, 12 Disc Magazine.  
 [DRM]=Axle - Rear,Dana 35C/194MM manual, 12 Disc Magazine.  
 [DSA]=Axle - Trac-Lok Differential manual, 12 Disc Magazine.

1						AXLE, Service Rear
	4797 571	1				[DRM,DMD,BGK,DSA] Tag-52099457AD,52099458AC
	4882 527	1				[DRJ,DMM,BGK,DSA] Tag-52099459AD
	4882 560	1				[DRM,DME,BGK,DSA] Tag-52099460AD
	4798 093	1				[DRM,DME,BGK,DSA] Tag-52099468AD
	4797 553	1				[DRM,DMD,BGK,] Tag-52099473AD
	4882 529	1				[DRJ,DMM,BGK] Tag-52099474AD
	5011 693AA	1				[DRJ,DMM,BGA,DSA] Tag-52111769AC
	5011 690AA	1				[DRM,DMD,BGA,DSA] Tag-52111770AC

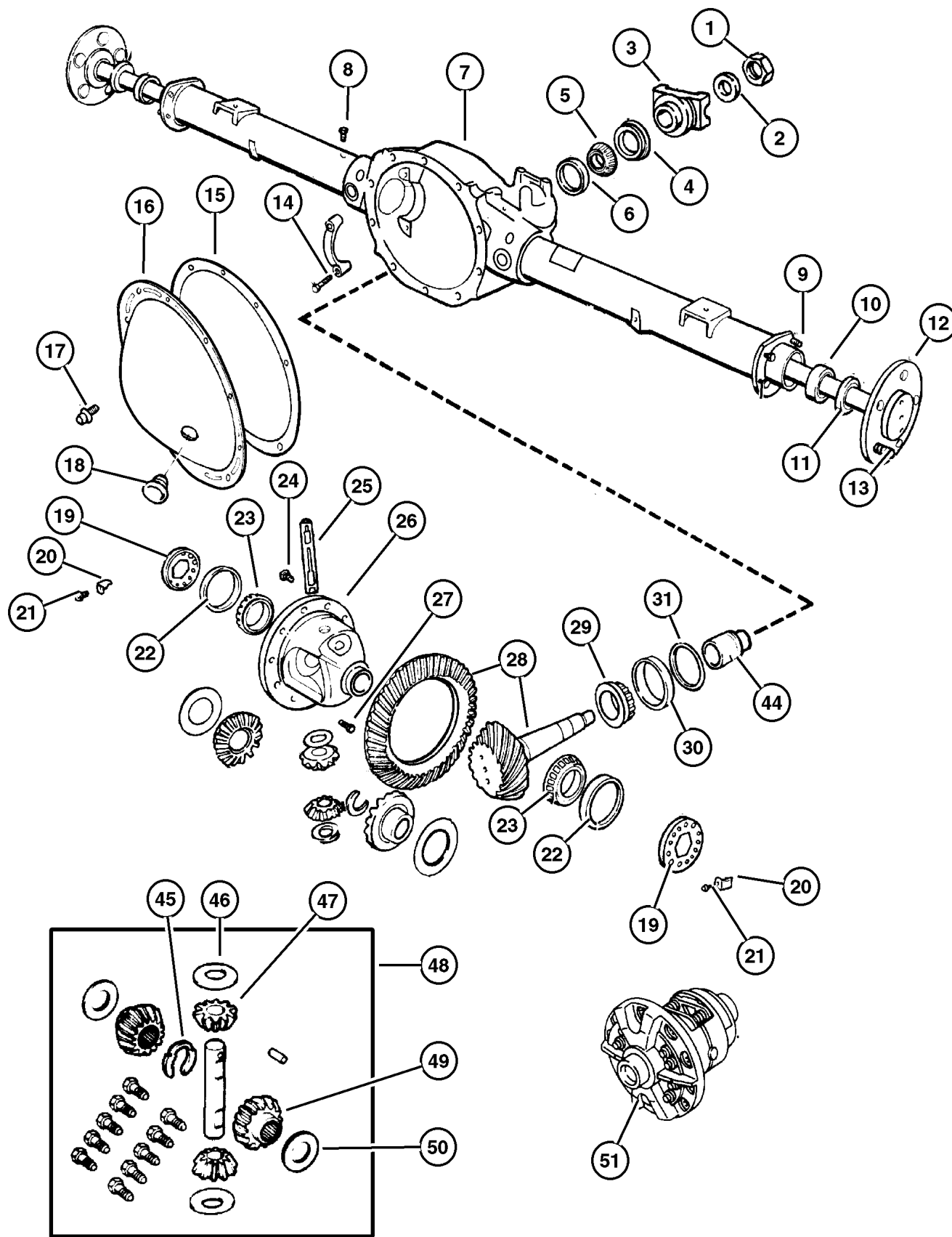


JEEP CHEROKEE (XJ)				
SERIES	LINE	BODY	ENGINE	TRANSMISSION
P=Classic	J=LHD (4WD)	74=4 Dr.(101.4WB)	ENC,EN0=2.5L 4 cyl. Turbo Die	DDD, DDQ=5 spd. Man.
S=Limited	U=RHD (4WD)	72=2 Dr.(101.4WB)	ERH,ER0=4.0L Power Tech I-6	DGS=4 spd. Auto. AISIN
H=Sport	T=LHD (2WD)		EPE,EP0=Magnum 2.5L SMPI	DG0=All Auto/Trans.
L=SE	B=RHD (2WD)			DBB=All Manual Trans.

AR = Use as required - = Non illustrated part # = New this model year

April 5, 2002

**Differential and Housing-Chrysler Model 8.25**  
**Figure 003-210**



ITEM	PART NUMBER	QTY	LINE	SERIES	BODY	DESCRIPTION
------	-------------	-----	------	--------	------	-------------

Note: DSA= Trac-Lok Differential manual, 12 Disc Magazine.

1	6028 041	1				NUT, Pinion Yoke, Pinion Yoke
2	2070 117	1				WASHER, Pinion Yoke
3	5206 8839	1				YOKE, Axle
4	5206 7595	1				SEAL, Drive Pinion
5	2070 316	1				BEARING, Drive Pinion, Front
6	2070 317	1				CUP, Drive Pinion Bearing, Front
7	4886 134AA	1				HOUSING, Axle
8	5206 7508	1				BOLT, Axle Vent
9	3723 668	8				STUD, Axle Housing to Backing Plate
10	3507 898AB	2				BEARING, Wheel
11	4137 426	2				SEAL, Axle Drive Shaft
12	5209 8902	2				SHAFT, Axle
13	5300 8135	5				STUD, Hub, Wheel
14	3432 695	4				SCREW, Hex Head, .50-13x2.38, Carrier Bearing Cap Retaining Screws
15	5010 884AA	1	J, U			SEALANT, RTV
16	3723 681AC	1				COVER, Differential
17	6033 043	10				SCREW AND WASHER, Hex Flange Head, .312-18x.562, Differential Cover
18	3723 687	1				PLUG, Differential Cover
19	3507 876	2				ADJUSTER, Differential Bearing
20	3723 859	2				LOCK, Differential Bearing
21	6023 092	2				SCREW AND WASHER, Hex Head, .25-20x.50, Differential Bearing Lock
22	3723 569	2				CUP, Differential Side Bearing
23	1790 541	2				BEARING, Differential
24	4443 158	1				SCREW PACKAGE, Axle Drive Gear, Ring Gear Attaching
25	5206 9657	1				SHAFT, Differential Pinion
26	5209 8776	1				CASE, Differential, without DSA
27	3507 724	1				SCREW, Hex Head, .312-18x1.80, Differential Pinion Shaft Lock
28						GEAR KIT, Ring And Pinion
	53008 036AB	1				[DMM]
	4856 540AB	1				[DMD]
	53008 038AB	1				[DMF]
29	2800 484	1				BEARING, Drive Pinion, Rear
30	2800 485	1				CUP, Drive Pinion Bearing, Rear
31	3723 520	AR				SHIM, Drive Pinion Bearing, .020
-32	3723 522	AR				SHIM, Drive Pinion Bearing, .022
-33	3723 524	AR				SHIM, Drive Pinion Bearing, .024
-34	3723 526	AR				SHIM, Drive Pinion Bearing, .026
-35	3723 527	AR				SHIM, Drive Pinion Bearing, .027

**JEEP CHEROKEE (XJ)**

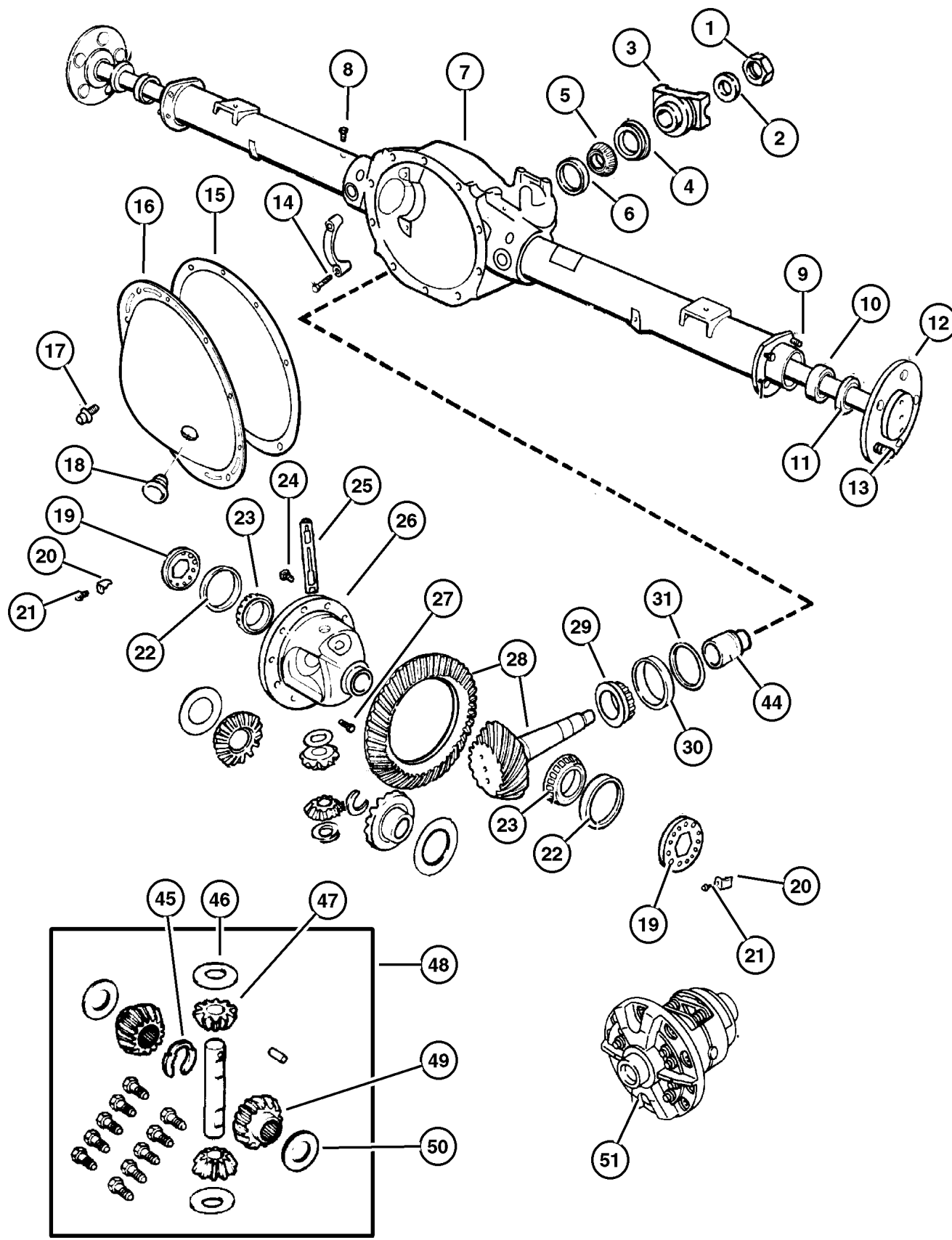
SERIES	LINE	BODY	ENGINE	TRANSMISSION
P=Classic	J=LHD (4WD)	74=4 Dr.(101.4WB)	ENC,EN0=2.5L 4 cyl. Turbo Die	DDD, DDQ=5 spd. Man.
S=Limited	U=RHD (4WD)	72=2 Dr.(101.4WB)	ERH,ER0=4.0L Power Tech I-6	DGS=4 spd. Auto. AISIN
H=Sport	T=LHD (2WD)		EPE,EP0=Magnum 2.5L SMPI	DG0=All Auto/Trans.
L=SE	B=RHD (2WD)			DBB=All Manual Trans.

AR = Use as required - = Non illustrated part # = New this model year

April 5, 2002

**Differential and Housing-Chrysler Model 8.25**  
**Figure 003-210**

ITEM	PART NUMBER	QTY	LINE	SERIES	BODY	DESCRIPTION
-36	3723 528	AR				SHIM, Drive Pinion Bearing, .028
-37	3723 529	AR				SHIM, Drive Pinion Bearing, .029
-38	3723 530	AR				SHIM, Drive Pinion Bearing, .030
-39	3723 531	AR				SHIM, Drive Pinion Bearing, .031
-40	3723 532	AR				SHIM, Drive Pinion Bearing, .032
-41	3723 534	AR				SHIM, Drive Pinion Bearing, .034
-42	3723 536	AR				SHIM, Drive Pinion Bearing, .036
-43	3723 538	AR				SHIM, Drive Pinion Bearing, .038
44	3507 575	1				SPACER, Drive Pinion Bearing, Crush
45	5206 9426	2				RETAINER, Axle Shaft
46	2852 912	2				WASHER, Pinion Thrust
47	5206 9655	2				PINION, Differential
48	4883 087	1				GEAR PACKAGE, Differential
49	5206 9429	2				GEAR, Differential, Side
50	4883 085	1				WASHER PACKAGE, Side Gear Thrust
51	5209 8778	1				CASE, Differential, with DSA



<b>JEEP CHEROKEE (XJ)</b>				
SERIES	LINE	BODY	ENGINE	TRANSMISSION
P=Classic	J=LHD (4WD)	74=4 Dr.(101.4WB)	ENC,EN0=2.5L 4 cyl. Turbo Die	DDD, DDQ=5 spd. Man.
S=Limited	U=RHD (4WD)	72=2 Dr.(101.4WB)	ERH,ER0=4.0L Power Tech I-6	DGS=4 spd. Auto. AISIN
H=Sport	T=LHD (2WD)		EPE,EP0=Magnum 2.5L SMPI	DG0=All Auto/Trans.
L=SE	B=RHD (2WD)			DBB=All Manual Trans.

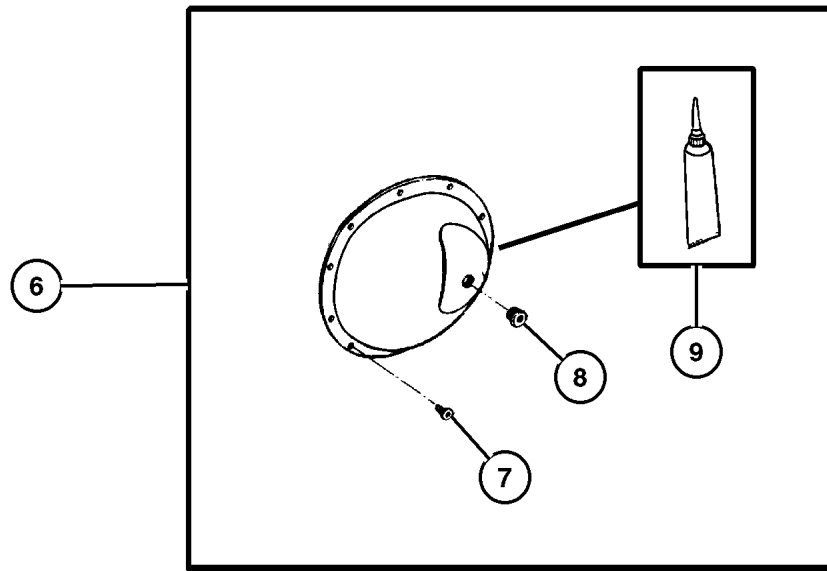
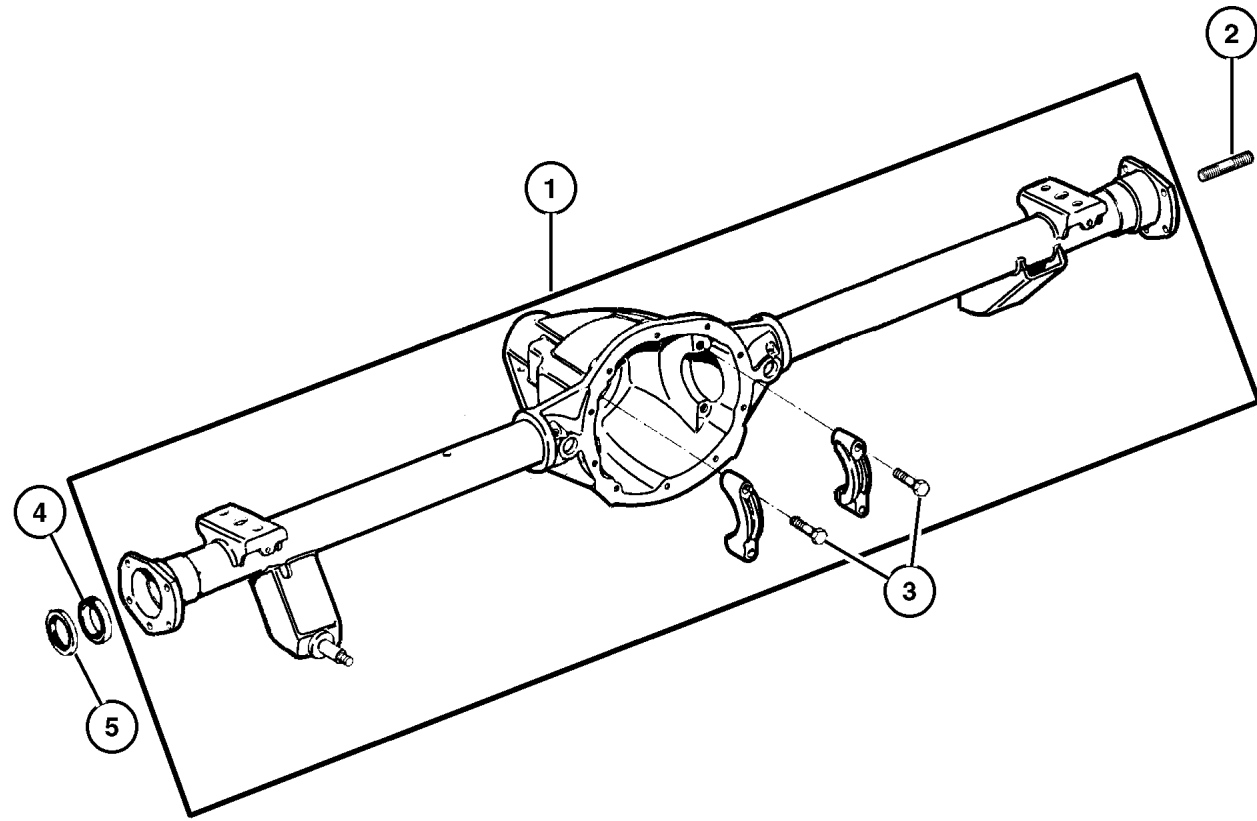
AR = Use as required - = Non illustrated part # = New this model year

April 5, 2002



Housing, Rear Axle Dana Model 35  
Figure 003-250

ITEM	PART NUMBER	QTY	LINE	SERIES	BODY	DESCRIPTION
1						HOUSING, Rear Axle
	4636 168	1				Tag-52099457AC
		1				Tag-52094458AC
		1				Tag-52099473AC
	4798 092	1				Tag-52099459AC
		1				Tag-52099460AC
		1				Tag-52099468AC
		1				Tag-52099474AC
		1				Tag-52111769AB
		1				Tag-52111770AB
2	J099 4313	8				STUD, Backing Plate to Housing Mounting
3	J400 6553	4				BOLT, Differential, Carrier Cap Retaining
4	J813 4586	2				BEARING, Axle Shaft
5	4856 336	2				SEAL, Axle Drive Shaft
6	5252 493	1				COVER, Differential, with Cover Screws, Plug, and Gasket
7	J400 6708	10				SCREW, Pan Head, .312-18x.56, Cover Attaching
8	5252 504	1				PLUG, Differential Cover
9	5010 884AA	1	J, U			SEALANT, RTV



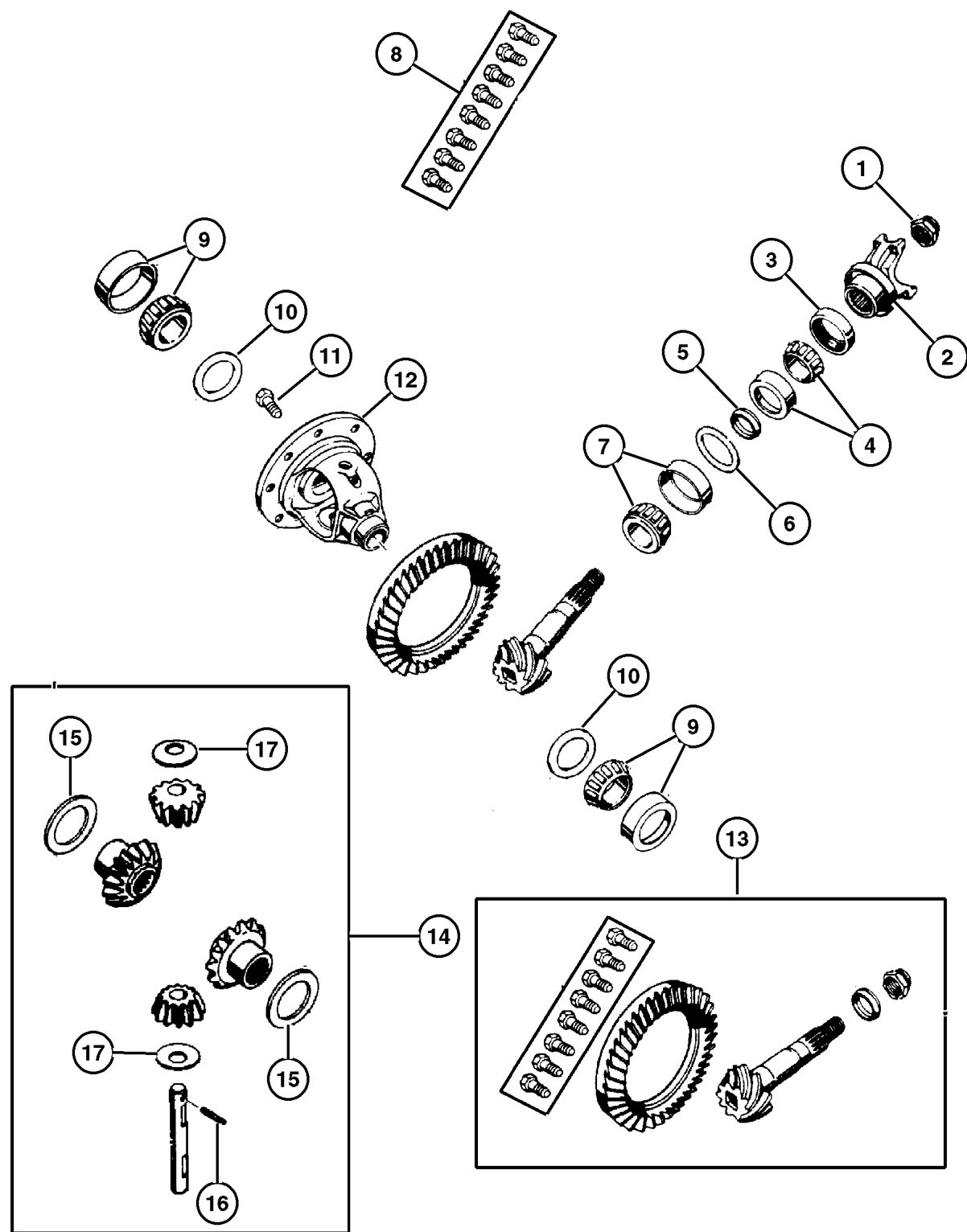
JEEP CHEROKEE (XJ)

SERIES	LINE	BODY	ENGINE	TRANSMISSION
P=Classic	J=LHD (4WD)	74=4 Dr.(101.4WB)	ENC,EN0=2.5L 4 cyl. Turbo Die	DDD, DDQ=5 spd. Man.
S=Limited	U=RHD (4WD)	72=2 Dr.(101.4WB)	ERH,ER0=4.0L Power Tech I-6	DGS=4 spd. Auto. AISIN
H=Sport	T=LHD (2WD)		EPE,EP0=Magnum 2.5L SMPI	DG0=All Auto/Trans.
L=SE	B=RHD (2WD)			DBB=All Manual Trans.

AR = Use as required - = Non illustrated part # = New this model year

April 5, 2002

**Differential, Without Trac-Lok-Dana Model 35**  
**Figure 003-260**



ITEM	PART NUMBER	QTY	LINE	SERIES	BODY	DESCRIPTION
Note: DMM= 3.07 Axle Ratio manual, 12 Disc Magazine.						
DMD= 3.55 Axle Ratio manual, 12 Disc Magazine.						
1	4720 895	1				NUT, Pinion Yoke
2	4746 835	1				YOKE, Axle 3.07 Ratio
	4797 552	1				3.55 Ratio
3	8350 4946	1				SEAL, Drive Pinion
4	5252 508	1	J			BEARING, Drive Pinion, Bearing and Cup, Front
5	J317 5779	1				SPACER, Drive Pinion Bearing, Crush
6	4720 922	1				SHIM KIT, Pinion Shaft
7	5252 507	1				BEARING, Drive Pinion, Bearing and Cup, Rear
8	4720 891	1				BOLT KIT, Consists of 8 5252503 Screws
9	J812 6500	1				BEARING, Differential, Consists of 2 Bearings and 2 Cups
10	8350 3004	1				SHIM KIT, Differential, Carrier Bearing
11	5252 503	8				SCREW, Drive Gear, Ring Gear Mounting
12	4740 833	1				CASE, Differential [DMM]
	4740 834	1				[DMD]
13	8350 5472	1				GEAR KIT, Ring And Pinion [DMM]
	4761 676	1				[DMD]
14	4740 670	1				GEAR KIT, Center Differential
15	J812 0832	2				WASHER, Differential Side Gear, Thrust
16	5252 502	1				PIN, Differential Shaft
17	J812 0831	2				WASHER, Flat, Pinion Thrust

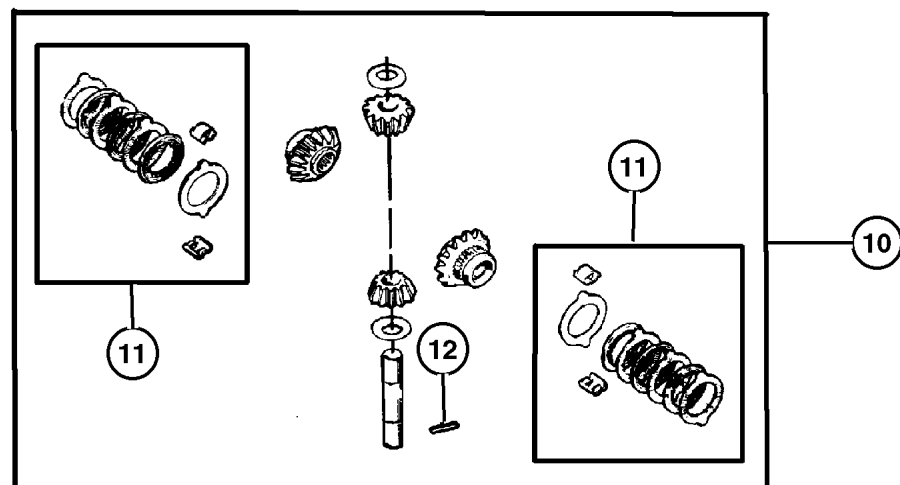
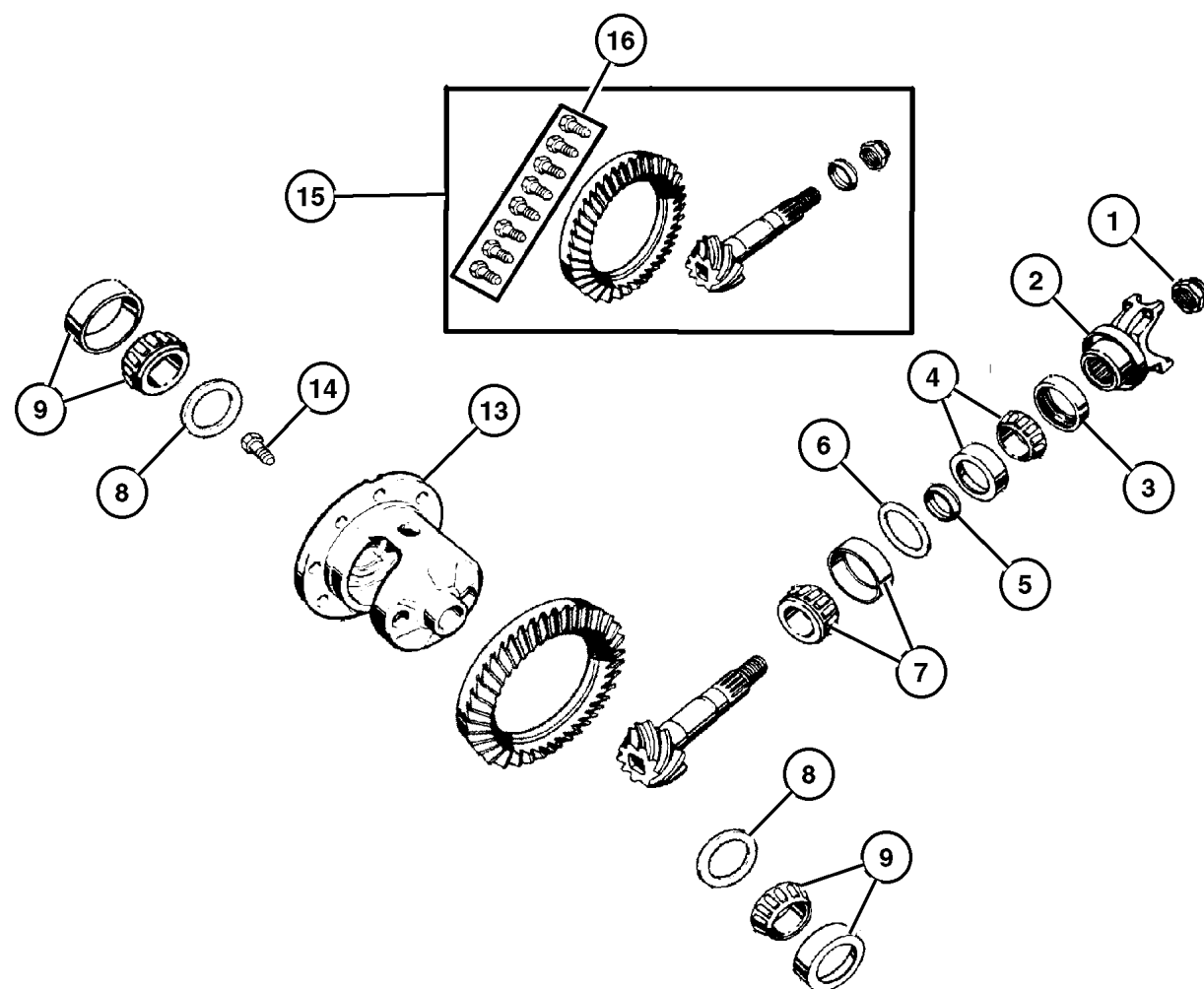
**JEEP CHEROKEE (XJ)**

SERIES	LINE	BODY	ENGINE	TRANSMISSION
P=Classic	J=LHD (4WD)	74=4 Dr.(101.4WB)	ENC,EN0=2.5L 4 cyl. Turbo Die	DDD, DDQ=5 spd. Man.
S=Limited	U=RHD (4WD)	72=2 Dr.(101.4WB)	ERH,ER0=4.0L Power Tech I-6	DGS=4 spd. Auto. AISIN
H=Sport	T=LHD (2WD)		EPE,EP0=Magnum 2.5L SMPI	DG0=All Auto/Trans.
L=SE	B=RHD (2WD)			DBB=All Manual Trans.

AR = Use as required - = Non illustrated part # = New this model year

April 5, 2002

**Differential, With Trac-Lok-Dana Model 35  
Figure 003-270**



ITEM	PART NUMBER	QTY	LINE	SERIES	BODY	DESCRIPTION
1	4720 895	1				NUT, Pinion Yoke
2	4797 552	1				YOKE, Axle 3.55 Ratio
	4746 835	1				3.07,3.73 Ratio
3	8350 4946	1				SEAL, Drive Pinion
4	5252 508	1				BEARING, Drive Pinion, Bearing and Cup, Front
5	J317 5779	1				SPACER, Drive Pinion Bearing, Crush
6	4720 922	1				SHIM KIT, Pinion Shaft
7	5252 507	1				BEARING, Drive Pinion, Bearing and Cup, Rear
8	8350 3004	1				SHIM KIT, Differential, Carrier Bearing
9	J812 6500	1				BEARING, Differential, Consists of 2 Bearings and 2 Cups
10	4773 010	1				GEAR KIT, Center Differential
11	5252 506	1				DISC AND PLATE KIT, Differential
12	5252 502	1				PIN, Differential Shaft
13	5252 512	1				CASE, Differential [DRJ]
	5252 496	1				[DRM]
14	5252 503	8				SCREW, Drive Gear, Ring Gear Mounting
15	8350 5472	1				GEAR KIT, Ring And Pinion 3.07 Ratio
	4761 676	1				3.55 Ratio
	4761 678	1				3.73 Ratio
16	4720 891	1	J			BOLT KIT, Consist of 8-5252503 Ring Gear Mounting Screws

**JEEP CHEROKEE (XJ)**

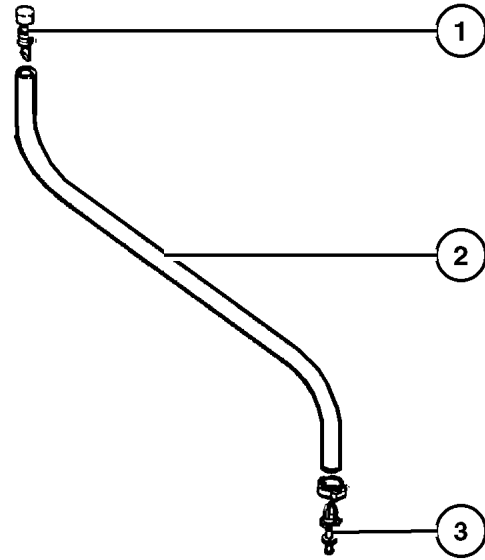
SERIES	LINE	BODY	ENGINE	TRANSMISSION
P=Classic	J=LHD (4WD)	74=4 Dr.(101.4WB)	ENC,EN0=2.5L 4 cyl. Turbo Die	DDD, DDQ=5 spd. Man.
S=Limited	U=RHD (4WD)	72=2 Dr.(101.4WB)	ERH,ER0=4.0L Power Tech I-6	DGS=4 spd. Auto. AISIN
H=Sport	T=LHD (2WD)		EPE,EP0=Magnum 2.5L SMPI	DG0=All Auto/Trans.
L=SE	B=RHD (2WD)			DBB=All Manual Trans.

AR = Use as required - = Non illustrated part # = New this model year

April 5, 2002

Vent, Axle  
Figure 003-305

ITEM	PART NUMBER	QTY	LINE	SERIES	BODY	DESCRIPTION
1	J318 7999	1				VENT, Axle, Upper
2	4443 176	1				HOSE, Fuel, .31 I.D. 50 Foot Roll
3	5206 7508	1				BOLT, Axle Vent, Lower



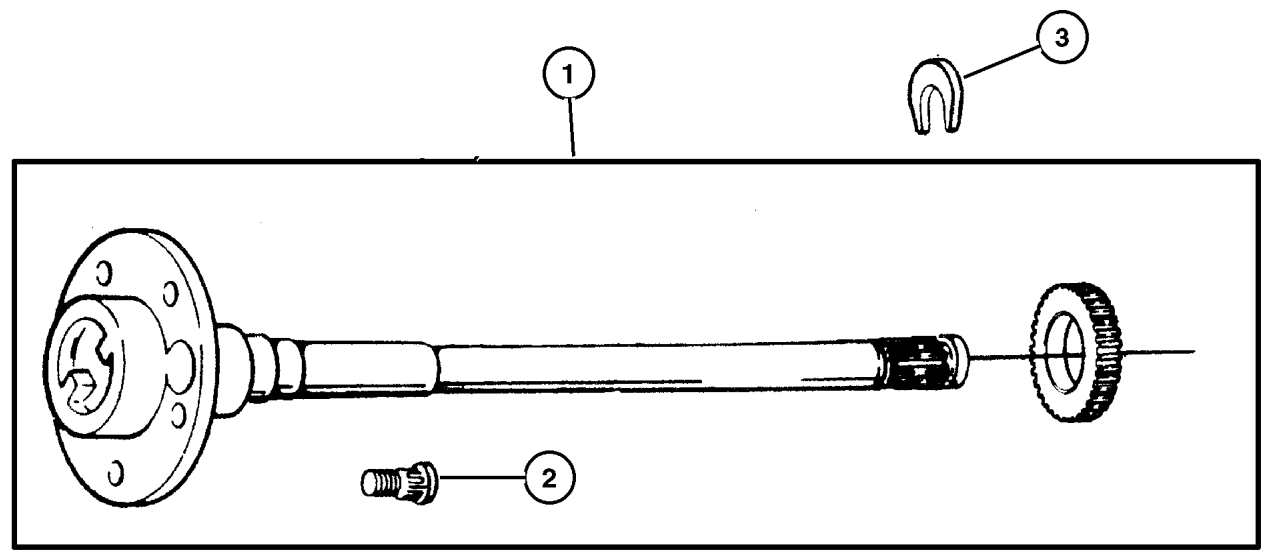
JEEP CHEROKEE (XJ)				
SERIES	LINE	BODY	ENGINE	TRANSMISSION
P=Classic	J=LHD (4WD)	74=4 Dr.(101.4WB)	ENC,EN0=2.5L 4 cyl. Turbo Die	DDD, DDQ=5 spd. Man.
S=Limited	U=RHD (4WD)	72=2 Dr.(101.4WB)	ERH,ER0=4.0L Power Tech I-6	DGS=4 spd. Auto. AISIN
H=Sport	T=LHD (2WD)		EPE,EP0=Magnum 2.5L SMPI	DG0=All Auto/Trans.
L=SE	B=RHD (2WD)			DBB=All Manual Trans.

AR = Use as required - = Non illustrated part # = New this model year

April 5, 2002

**Shaft, Rear Axle Dana Model 35**  
**Figure 003-430**

ITEM	PART NUMBER	QTY	LINE	SERIES	BODY	DESCRIPTION
1						SHAFT, Axle
	4713 192	1				Right
	4713 193	1				Left
2	5011 312AA	10				STUD, Hub
3	5252 505	2				RETAINER, Axle Shaft



JEEP CHEROKEE (XJ)				
SERIES	LINE	BODY	ENGINE	TRANSMISSION
P=Classic	J=LHD (4WD)	74=4 Dr.(101.4WB)	ENC,EN0=2.5L 4 cyl. Turbo Die	DDD, DDQ=5 spd. Man.
S=Limited	U=RHD (4WD)	72=2 Dr.(101.4WB)	ERH,ER0=4.0L Power Tech I-6	DGS=4 spd. Auto. AISIN
H=Sport	T=LHD (2WD)		EPE,EP0=Magnum 2.5L SMPI	DG0=All Auto/Trans.
L=SE	B=RHD (2WD)			DBB=All Manual Trans.

AR = Use as required - = Non illustrated part # = New this model year

# Group – 004

## Parking Brake

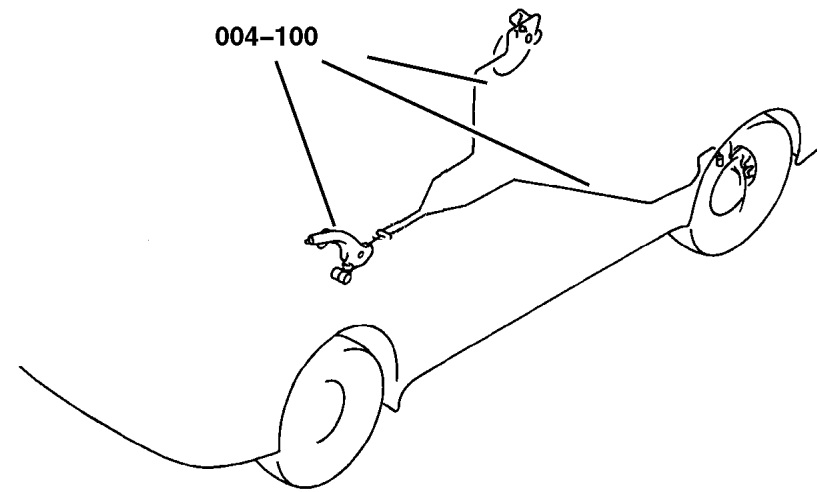
### GROUP 4 - Parking Brake


Illustration Title

Group-Fig. No.

#### Parking Brake Lever and Cables

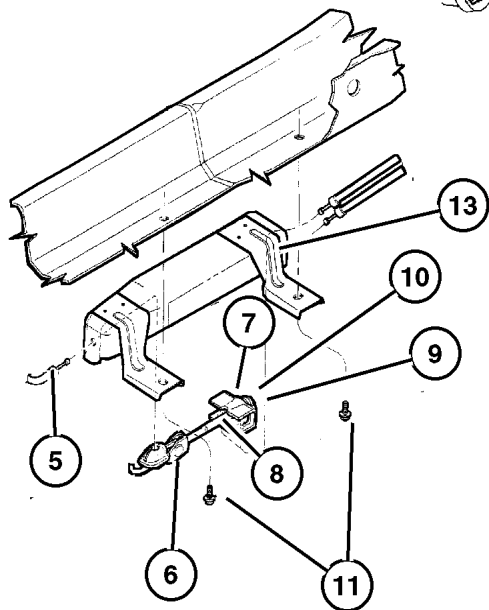
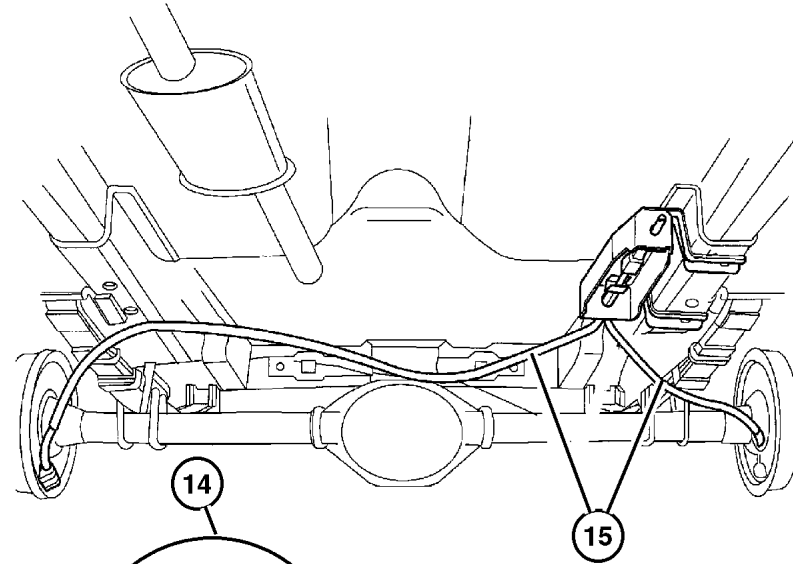
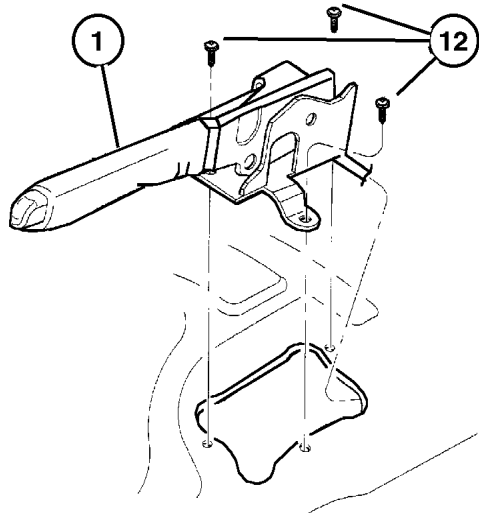
Lever Assembly and Cables ..... Fig. 004-120



<p>004-100 Parking Brake Lever and Cables</p> 			
---	--	--	--

**Lever Assembly and Cables**  
**Figure 004-120**

ITEM	PART NUMBER	QTY	LINE	BODY	DESCRIPTION
1	52078 943AC	1			LEVER, Park Brake
-2	5212 7960	1			SWITCH, Parking Brake
-3					PIN, Parking Release, (Service in Assy) , (NOT SERVICED)
-4	5207 8012	1			CLIP, Parking Brake Cable
5	52128 164AB	1			CABLE, Parking Brake, Front
6	5212 8185	1			ADJUSTER, Parking Brake Cable
7	4423 264	1			EQUALIZER, Parking Brake Cable
8	0274 865	1			SPACER, Parking Brake
9	4423 735	1			WASHER, Teflon, ID=.380 /OD=.760/THK=.025
10	6030 607	1			NUT, Hex Flange Lock, .312-18
11	6100 582	2			BOLT AND CONED WASHER, Hex Head, M8x20x20
12	6101 780	3			SCREW, M6x1x25
13	5212 8172	1			BRACKET, Parking Brake
14	52128 235AA	1			BRACKET, Brake Cable Guide
15					CABLE, Parking Brake
	52128 072AD	1			Right
	5212 8073	1			Left



JEEP CHEROKEE (XJ)				
SERIES	LINE	BODY	ENGINE	TRANSMISSION
P=Classic	J=LHD (4WD)	74=4 Dr.(101.4WB)	ENC,EN0=2.5L 4 cyl. Turbo Die	DDD, DDQ=5 spd. Man.
S=Limited	U=RHD (4WD)	72=2 Dr.(101.4WB)	ERH,ER0=4.0L Power Tech I-6	DGS=4 spd. Auto. AISIN
H=Sport	T=LHD (2WD)		EPE,EP0=Magnum 2.5L SMPI	DG0=All Auto/Trans.
L=SE	B=RHD (2WD)			DBB=All Manual Trans.

AR = Use as required - = Non illustrated part # = New this model year

April 5, 2002

# Group – 005

## Service Brakes

### GROUP 5 - Service Brakes

Illustration Title

Group-Fig. No.

#### Front Brakes

Brakes, Front ..... Fig. 005-120

#### Rear Brakes

Brakes, Rear ..... Fig. 005-220

#### Power Brake Booster

Master Cylinder and Booster ..... Fig. 005-320

Power Brake Vacuum Booster Hose ..... Fig. 005-330

#### Brake Master Cylinder

Hydraulic Control Unit ..... Fig. 005-420

#### Brake Lines and Hoses

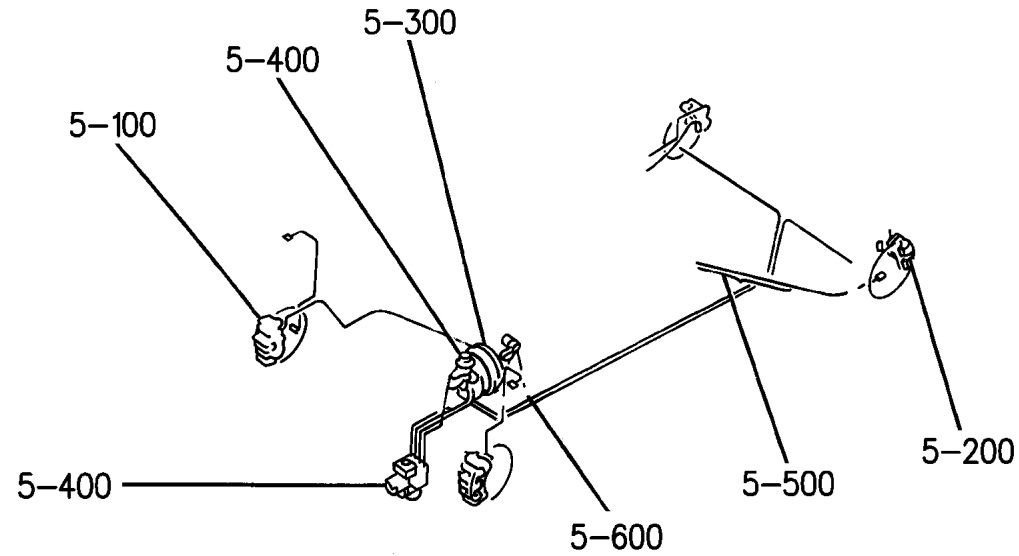
Brake Lines, Front without Anti-Lock Brakes ..... Fig. 005-550

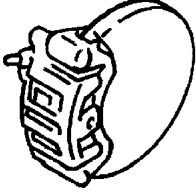
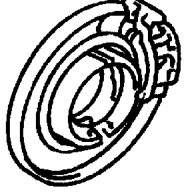
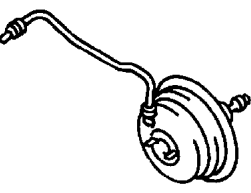
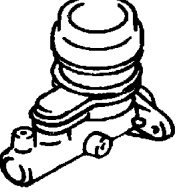
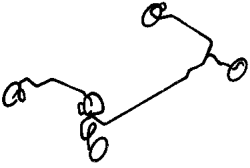

Brake Lines, Front with Anti-Lock Brakes ..... Fig. 005-555

Brake Lines and Hoses, Rear ..... Fig. 005-560

#### Brake Pedals

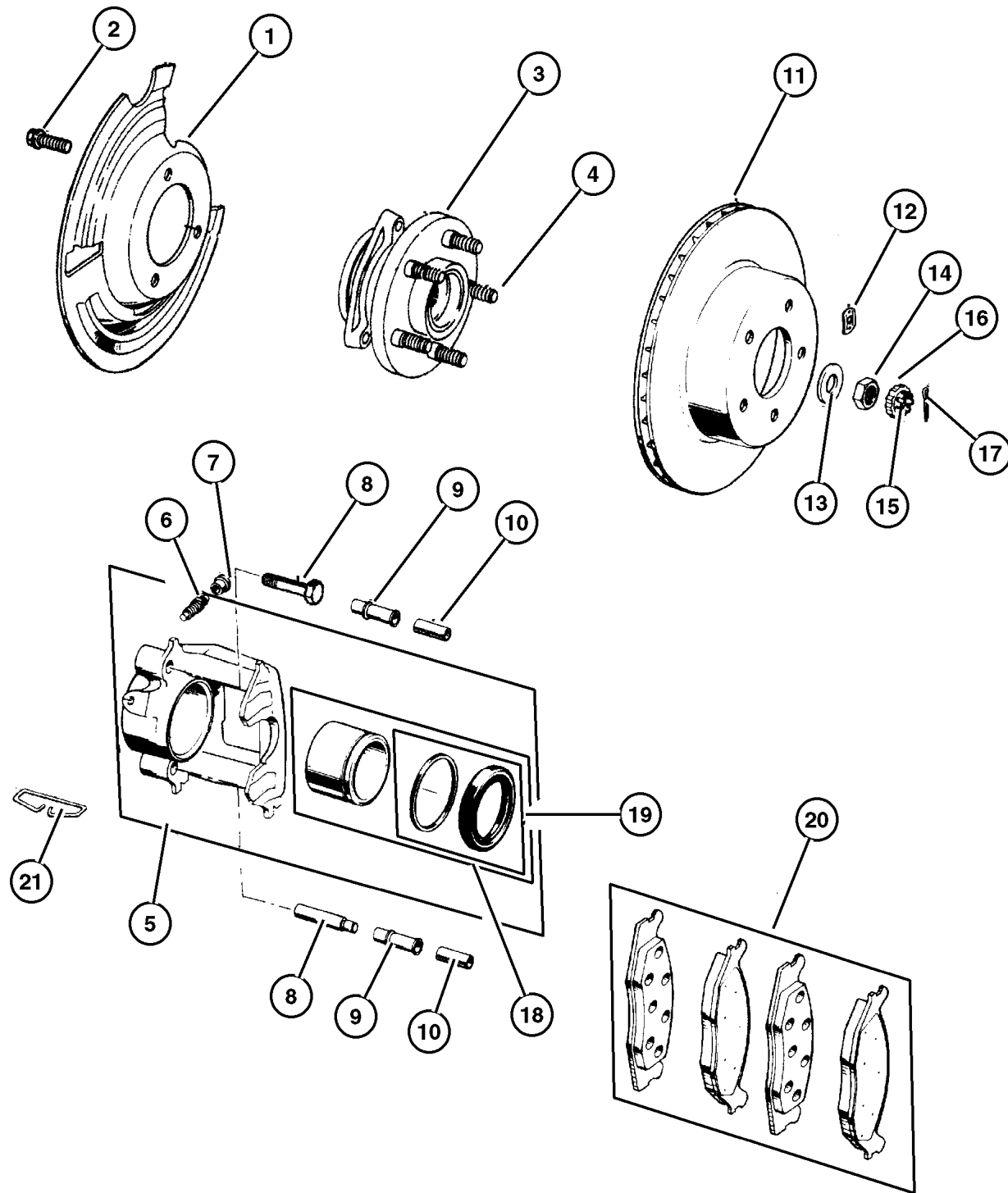
Brake Pedal ..... Fig. 005-610



<p><b>005-100</b> Front Brakes</p> 	<p><b>005-200</b> Rear Brakes</p> 	<p><b>005-300</b> Power Brake Booster</p> 	<p><b>005-400</b> Brake Master Cylinder</p> 
<p><b>005-500</b> Brake Lines and Hoses</p> 	<p><b>005-600</b> Brake Pedals</p> 		



## Brakes, Front Figure 005-120



ITEM	PART NUMBER	QTY	LINE	BODY	DESCRIPTION
1					SHIELD, Brake
	5200 5476	1	B	74	Right
		1	T		Right
		1	J		Right
		1	U		Right
	5200 5477	1	B	74	Left
		1	T		Left
		1	U		Left
		1	J		Left
2					BOLT
	3420 1535	6	U		
		6	J		
3					HUB AND BEARING, Brake
	53007 449AC	2	B	74	
		2	T		
		2	J		
	5016 458AA	2	U		
4					STUD, Hub
	6036 194AA	10	B	74	
		10	T		
		10	J		
		10	U		
5					CALIPER, Disc Brake
	5252 984	1	B	74	Right
		1	T		Right
		1	J		Right
		1	U		
	5252 985	1	T		Left
		1	B	74	Left
		1	U		Left
		1	J		Left
6					SCREW, Bleeder
	J320 3313	1	B	74	
		1	T		
		1	U		
		1	J		
7					CAP, Bleeder
	4238 717	1	B	74	
		1	T		
		1	U		
		1	J		
8					PIN, Caliper

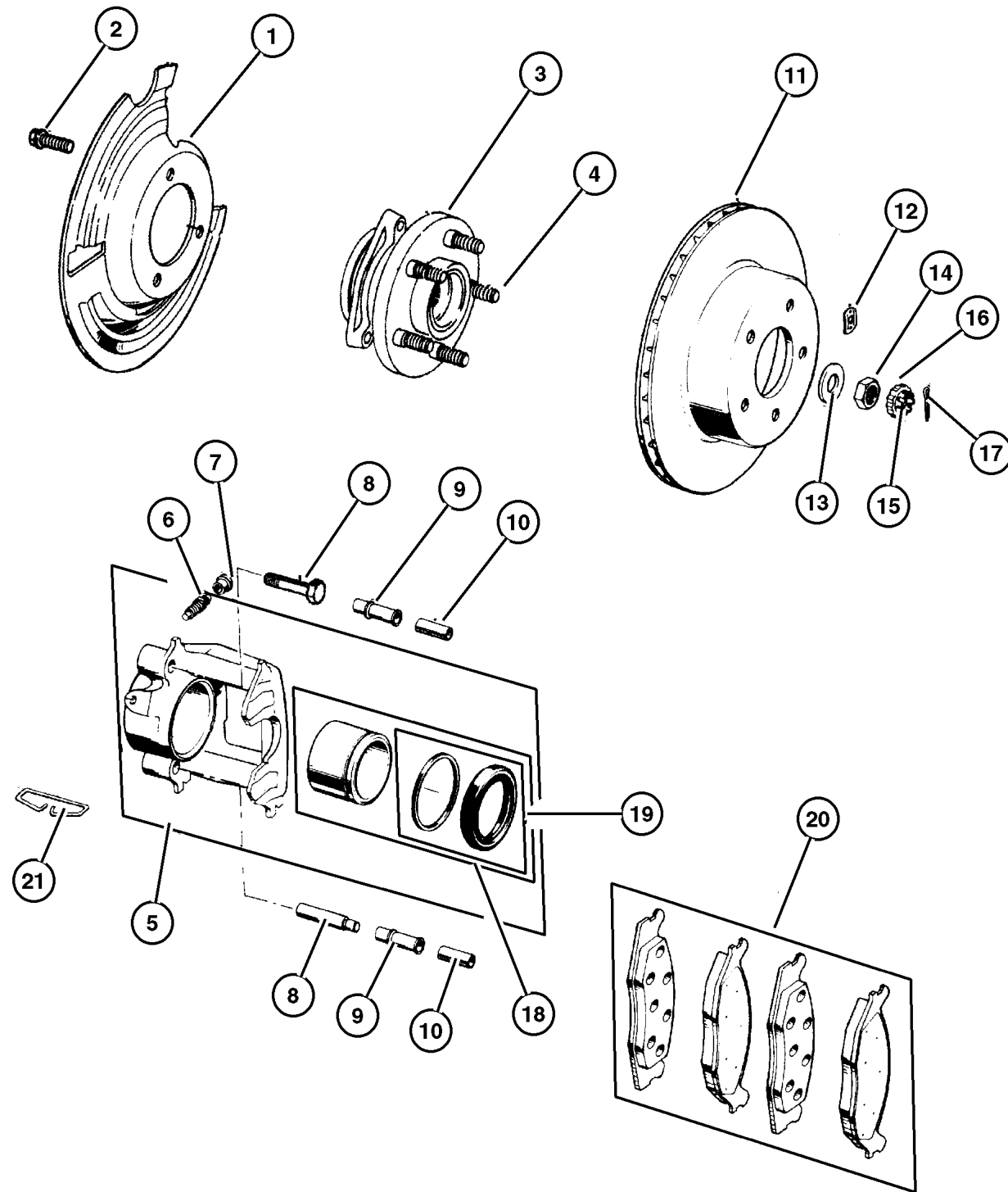
### JEEP CHEROKEE (XJ)

SERIES	LINE	BODY	ENGINE	TRANSMISSION
P=Classic	J=LHD (4WD)	74=4 Dr.(101.4WB)	ENC,EN0=2.5L 4 cyl. Turbo Die	DDD, DDQ=5 spd. Man.
S=Limited	U=RHD (4WD)	72=2 Dr.(101.4WB)	ERH,ER0=4.0L Power Tech I-6	DGS=4 spd. Auto. AISIN
H=Sport	T=LHD (2WD)		EPE,EP0=Magnum 2.5L SMPI	DG0=All Auto/Trans.
L=SE	B=RHD (2WD)			DBB=All Manual Trans.

AR = Use as required - = Non illustrated part # = New this model year

April 5, 2002

## Brakes, Front Figure 005-120



ITEM	PART NUMBER	QTY	LINE	BODY	DESCRIPTION
	5253 000	4	B	74	
		4	T		
		4	U		
		4	J		
9					BUSHING, Disc Brake Caliper
	4383 471	2	B	74	
		2	T		
		2	U		
		2	J		
10					SLEEVE, Disc Brake Caliper
	4423 573	2	B	74	
		2	T		
		2	U		
		2	J		
11					ROTOR, Brake
	5016 434AA	2	B	74	
		2	T		
		2	J		
		2	U		
12	6026 430	AR			SPRING RETAINER, Push On, .50x20
13					WASHER, Flat
	J420 0096	2	J		
		2	U		
14					NUT, Hex
	J420 0095	2	J		
		2	U		
15					RETAINER, Hub Nut
	J420 0097	2	J		
		2	U		
16					WASHER, Wave
	4740 749	2	B	74	
		2	T		
		2	U		
		2	J		
17					PIN, Cotter, M4x40.00
	1101 0069	2	T		
		6	B	74	
		6	J		
		6	U		
18					PISTON, Brake
	5252 614	1	B	74	
		1	T		

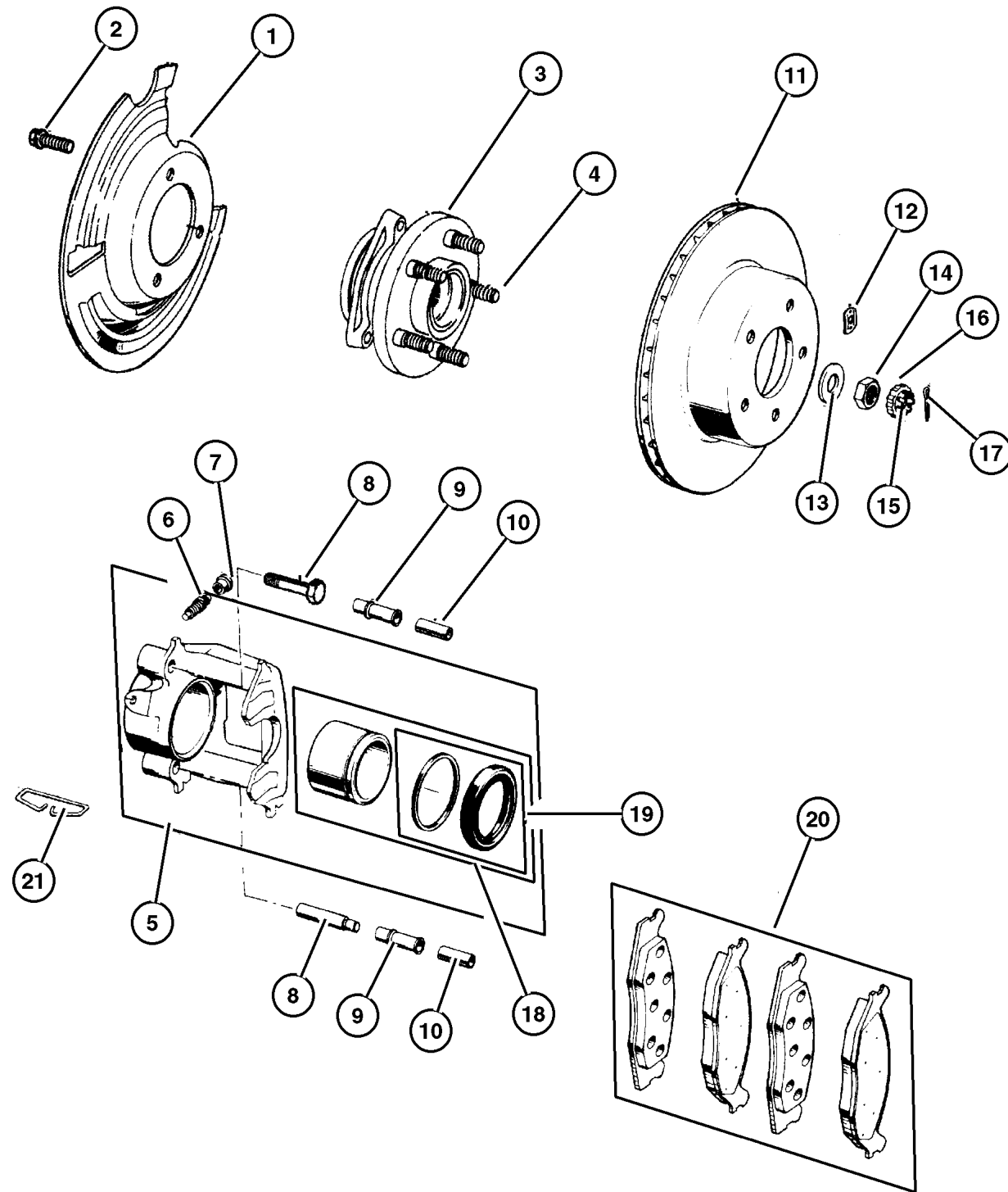
### JEEP CHEROKEE (XJ)

SERIES	LINE	BODY	ENGINE	TRANSMISSION
P=Classic	J=LHD (4WD)	74=4 Dr.(101.4WB)	ENC,EN0=2.5L 4 cyl. Turbo Die	DDD, DDQ=5 spd. Man.
S=Limited	U=RHD (4WD)	72=2 Dr.(101.4WB)	ERH,ER0=4.0L Power Tech I-6	DGS=4 spd. Auto. AISIN
H=Sport	T=LHD (2WD)		EPE,EP0=Magnum 2.5L SMPI	DG0=All Auto/Trans.
L=SE	B=RHD (2WD)			DBB=All Manual Trans.

AR = Use as required - = Non illustrated part # = New this model year

April 5, 2002

# Brakes, Front Figure 005-120



ITEM	PART NUMBER	QTY	LINE	BODY	DESCRIPTION
		1	U		
		1	J		
19	J813 3852	1	B	74	BOOT AND SEAL, Disc Brake
		1	T		
		1	U		
		1	J		
20	4883 344AC	1	B	74	PAD KIT, Front Disc Brake
		1	T		
		1	J		
		1	U		
21	J323 9865	2	B	74	CLIP, Brake Caliper
		2	T		
		2	U		
		2	J		

JEEP CHEROKEE (XJ)				
SERIES	LINE	BODY	ENGINE	TRANSMISSION
P=Classic	J=LHD (4WD)	74=4 Dr.(101.4WB)	ENC,EN0=2.5L 4 cyl. Turbo Die	DDD, DDQ=5 spd. Man.
S=Limited	U=RHD (4WD)	72=2 Dr.(101.4WB)	ERH,ER0=4.0L Power Tech I-6	DGS=4 spd. Auto. AISIN
H=Sport	T=LHD (2WD)		EPE,EP0=Magnum 2.5L SMPI	DG0=All Auto/Trans.
L=SE	B=RHD (2WD)			DBB=All Manual Trans.

AR = Use as required - = Non illustrated part # = New this model year

April 5, 2002

## Brakes, Rear Figure 005-220

ITEM	PART NUMBER	QTY	LINE	BODY	DESCRIPTION
------	-------------	-----	------	------	-------------

NOTE: Sales Code AHB= Police Package manual, 12 Disc Magazine.

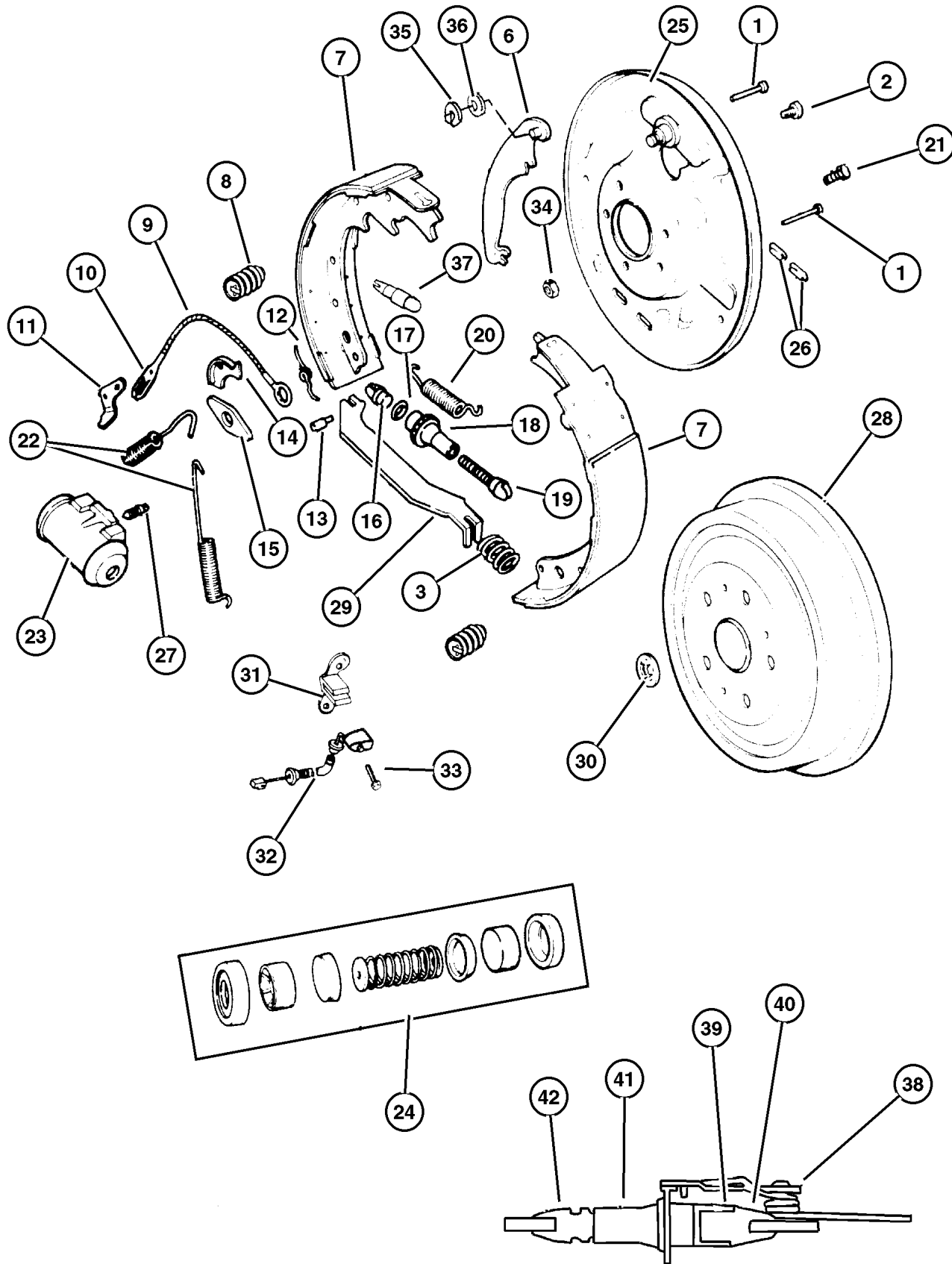
1	2260 548	2			PIN, Brake Shoe Hold Down 9" Brakes
	4746 783	2			10" Brakes (AHB Police Package)
2	6028 921	2			BOLT, Hex Head
3	8350 4918	2			SPRING, Parking Brake Strut, 10" Brakes (AHB Police Package)
-4	4773 762	1			CLIP, Park Brake Strut, 10" Brakes (AHB Police Package)
-5	4713 364	1			WASHER, 10" Brakes (AHB Police Package)
6					LEVER, Park Brake
	4313 810	1			9" Brakes, Right
	4313 811	1			9" Brakes, Left
	4713 362	1			10" Brakes (AHB Police Package), Right
	4713 363	1			10" Brakes (AHB Police Package), Left
7					SHOE AND LINING KIT, drum
	4723 367AB	1			9 ' Brakes Upto and Including 03-09-00
	#5019 536AA	1			9 ' Brakes 03-10-00 and After
	4796 310	1			10' Brakes (AHB Police Package)
8					SPRING, Brake Shoe Hold Down
	4313 062	2			9" Brakes
	4746 782	2			10" Brakes (AHB POLice Package)
9					CABLE, Brake Automatic Adjuster
	3461 662	1			9" Brakes
	4713 350	1			10" Brakes (AHB Police Package)
10	3461 660	1			SPRING, Adjuster Cable, 9" Brakes
11					LEVER, Park Brake Adjusting
	4728 546	1			10" brakes (AHB Police Package), Right
	4728 547	1			10" brakes (AHB Police Package), Left
12					SPRING, Brake Auto Adjuster Lever
	2944 580	1			9" Brakes, Right
	2944 581	1			9" Brakes, Left
13	4049 681	1			HARDWARE PACKAGE, Rear Brake, 9" Brakes-Contains 2 Pins, 2 Washers, and 2 Horse shoe Retainers
14					GUIDE, Brake Adjusting Cable
	2260 793	1			9" Brakes
	J320 1947	1			10" Brakes (AHB Police Package)
15					PLATE, Brake Shoe Guide
	2260 788	1			10" Brakes (AHB Police Package)
	4313 075	1			9" Brakes
16	2944 586	1			BUTTON, Rear Brake Auto Adjust, 9" Brakes
17	6027 559	1			WASHER, Adjuster Button, 9" Brakes
18					NUT, Rear Brake Auto Adjust Pivot
	2944 692	1			9" Brakes, Right

### JEEP CHEROKEE (XJ)

SERIES	LINE	BODY	ENGINE	TRANSMISSION
P=Classic	J=LHD (4WD)	74=4 Dr.(101.4WB)	ENC,EN0=2.5L 4 cyl. Turbo Die	DDD, DDQ=5 spd. Man.
S=Limited	U=RHD (4WD)	72=2 Dr.(101.4WB)	ERH,ER0=4.0L Power Tech I-6	DGS=4 spd. Auto. AISIN
H=Sport	T=LHD (2WD)		EPE,EP0=Magnum 2.5L SMPI	DG0=All Auto/Trans.
L=SE	B=RHD (2WD)			DBB=All Manual Trans.

AR = Use as required - = Non illustrated part # = New this model year

April 5, 2002



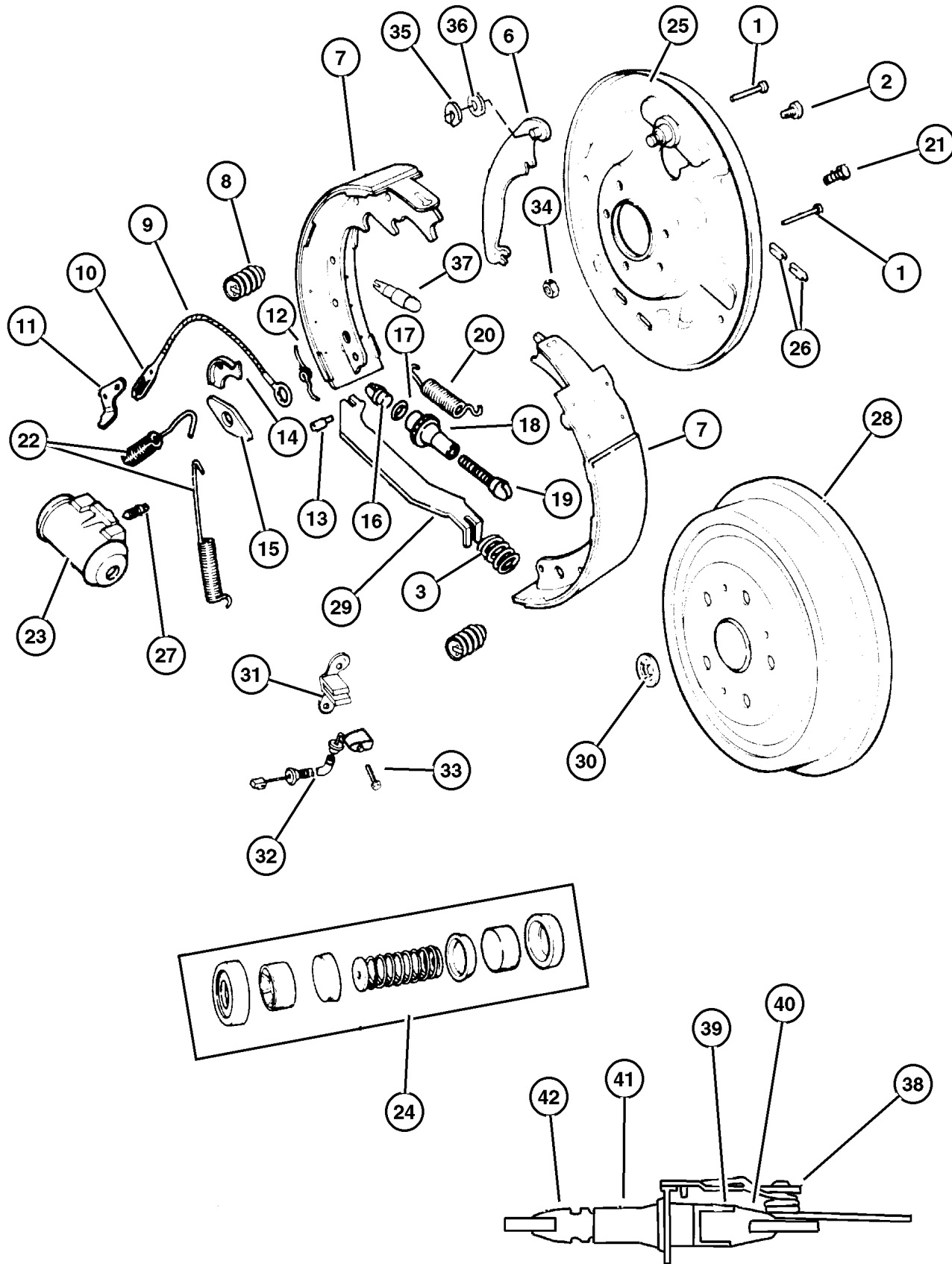
**Brakes, Rear**  
**Figure 005-220**

ITEM	PART NUMBER	QTY	LINE	BODY	DESCRIPTION
	2944 693	1			9" Brakes, Left
19	4423 898	1			SCREW, Brake Adjusting
	4423 899	1			9" Brakes, Right
20					9" Brakes, Left
					SPRING, Brake Shoe to Shoe
	4423 085	1			9" Brakes
	4746 588	1			10" Brakes (AHB Police Package)
21					STUD
	3723 668	8			Chrysler 8.25 Axle (DRA)
	J099 4313	8			Dana Model 35 (194RBI) Axle (DRM or DRJ)
22					SPRING, Brake Shoe Return
	2881 676	2			9" Brakes
	J311 2780	2			10" Brakes (AHB Police Package)
23					CYLINDER, Wheel
	4423 601	1			9" Brakes Upto and Including 03-09-00
	#4313 056	1			9" Brakes 03-10-00 and After
	5200 0848	1			10" Brakes (AHB Police Package), Right
	5200 0849	1			10" Brakes (AHB Police Package), Left
24					REPAIR KIT, Wheel Cylinder
	5252 630	1			9" Brakes Upto and Including 03-09-00
	5252 631	1			9" Brakes 03-10-00 and After
	8350 0987	1			10" Brakes (AHB Police Package)
25					PLATE, Brake Backing
	4773 490	1			10" Brakes (AHB Police Package), Right
	4773 491	1			10" Brakes (AHB Police Package), Left
	4856 718	1			9" Brakes w/ABS, Right
	4856 719	1			9" Brakes w/ABS, Left
26					PLUG, Brake Adjusting Hole
	4238 721	3			9" Brakes
	3200 0147	2			10" Brakes (AHB Police Package)
27					SCREW, Bleeder
	3766 674	1			9" Brakes
	J320 3313	1			10" Brakes (AHB Police Package)
28					DRUM, Brake
	5200 5350	2			9" Brakes
	5200 7502	2			10" Brakes (AHB Police Package)
29					STRUT, Parking Brake
	4713 366	1			10" Brakes (AHB Police Package), Right
	4713 367	1			10" Brakes (AHB Police Package), Left
	4713 590	1			9" Brakes (w/spring)
30	6026 430	AR			SPRING RETAINER, Push On, .50x20
31					BRACKET, Brake Sensor
	5200 7804	1			Right

JEEP CHEROKEE (XJ)				
SERIES	LINE	BODY	ENGINE	TRANSMISSION
P=Classic	J=LHD (4WD)	74=4 Dr.(101.4WB)	ENC,EN0=2.5L 4 cyl. Turbo Die	DDD, DDQ=5 spd. Man.
S=Limited	U=RHD (4WD)	72=2 Dr.(101.4WB)	ERH,ER0=4.0L Power Tech I-6	DGS=4 spd. Auto. AISIN
H=Sport	T=LHD (2WD)		EPE,EP0=Magnum 2.5L SMPI	DG0=All Auto/Trans.
L=SE	B=RHD (2WD)			DBB=All Manual Trans.

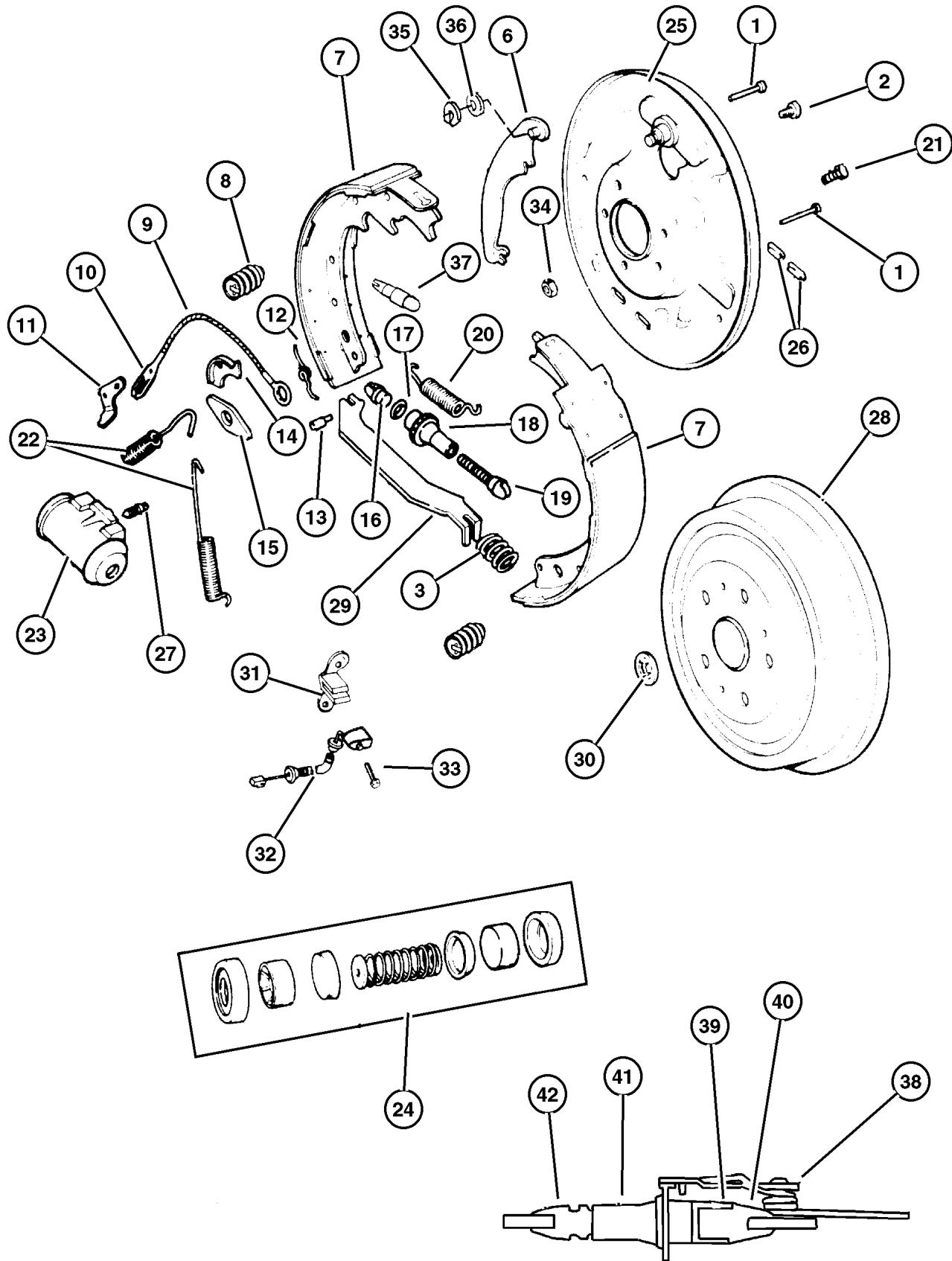
AR = Use as required - = Non illustrated part # = New this model year

April 5, 2002



Brakes, Rear  
Figure 005-220

ITEM	PART NUMBER	QTY	LINE	BODY	DESCRIPTION
	5200 7805	1			Left
32	5200 5932	1			SENSOR, Anti-Lock Brakes
	5200 5933	1			Right
	5200 5933	1			Left
33	8350 4920	2			BOLT
34					NUT, Hex Flange Lock
	0152 345	8			Chrysler 8.25 Axle (DRA)
	J941 1783	8			Dana Model 35 (194RBI) Axle (DRM or DRJ)
35	J310 8202	1			RETAINER, Parking Brake Lever, 10" Brakes (AHB Police Package)
36	8350 2900	1			WASHER, Parking Brake Lever, 10" Brakes (AHB Police Package)
37	J004 8331	2			LINK, Brake Cylinder, 10" Brakes (AHB Police package)
38					SPRING, Auto Adjusting
	4746 582	1			10" Brakes (AHB Police Package), Right
	4746 583	1			10" Brakes (AHB Police Package), Left
39	4746 585	1			WASHER, Rear Brake Adjuster, 10" Brakes (AHB Police Package)
40	4746 586	1			SOCKET, Brake Adjusting, 10" Brakes (AHB Police Package)
41					NUT, Rear Brake Auto Adjust Pivot
	2944 692	1			10" Brakes (AHB Police Package), Right
	2944 693	1			10" Brakes (AHB Police Package), Left
42					SCREW, Brake Adjusting
	2881 686	1			10" Brakes (AHB Police Package), Right
	2881 687	1			10" Brakes (AHB Police Package), Left



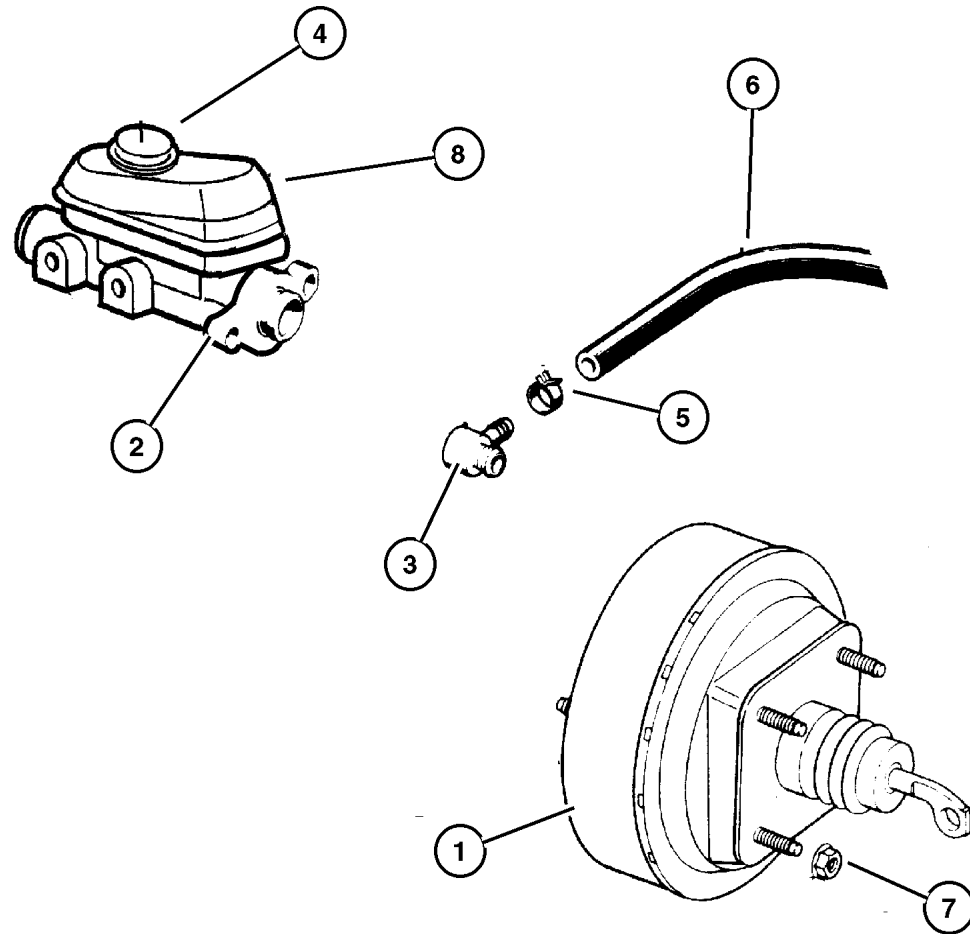
JEEP CHEROKEE (XJ)

SERIES	LINE	BODY	ENGINE	TRANSMISSION
P=Classic	J=LHD (4WD)	74=4 Dr.(101.4WB)	ENC,EN0=2.5L 4 cyl. Turbo Die	DDD, DDQ=5 spd. Man.
S=Limited	U=RHD (4WD)	72=2 Dr.(101.4WB)	ERH,ER0=4.0L Power Tech I-6	DGS=4 spd. Auto. AISIN
H=Sport	T=LHD (2WD)		EPE,EP0=Magnum 2.5L SMPI	DG0=All Auto/Trans.
L=SE	B=RHD (2WD)			DBB=All Manual Trans.

AR = Use as required - = Non illustrated part # = New this model year

April 5, 2002

**Master Cylinder and Booster  
Figure 005-320**



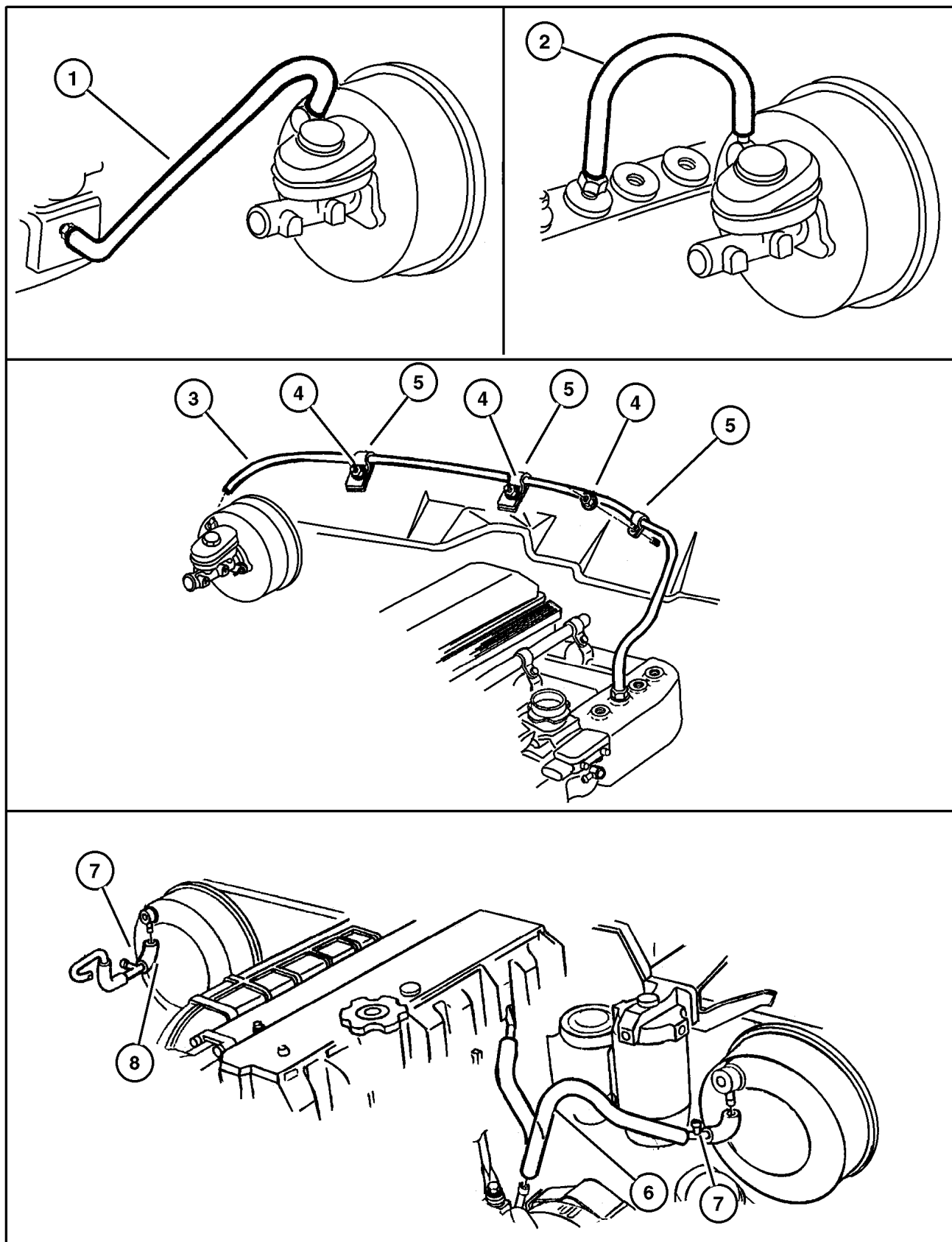
ITEM	PART NUMBER	QTY	LINE	BODY	DESCRIPTION
NOTES; SALES CODE EP0= 2.5L GAS ENGINE, ERO= 4.0 L ENGINE, ENC 2.5L DIESEL ENGINE manual, 12 Disc Magazine.					
1					BOOSTER, Power Brake
	4856 672AB	1			w/ EP0, ERO
	4856 673AB	1			w/ ENC
	4856 673AC	1			
2					MASTER CYLINDER, Brake
	4761 941	1			w/ EP0, ERO
		1			w/ ENC
3					VALVE, Vacuum Check
	J448 7455	1			w/ EP0, ERO
	4798 873	1			w/ ENC
4					CAP, Master Cylinder Reservoir
	4761 944	1			w/ EP0, ERO
		1			w/ ENC
5					CLAMP, Hose
	2448 761	1	J, T		w/ EP0
		1	B, U		w/ EP0
		1	J, T		w/ ENC
		1	B, U		w/ ENC
	2448 770	2	J, T		w/ ERO
6					HOSE, Vacuum Supply
	5200 8761	1	B, U		w/ EP0
	5200 9407	1	J, T		w/ EP0
	5212 8003	1	J, T		w/ ERO
	5212 8232	1	J, T		w/ ENC
	52128 290AA	1	B, U		w/ ERO
7	J400 3909	4			NUT, Hex Flange With Serration
8					RESERVOIR, Brake Master Cylinder
	4761 942	1			w/ ENC
		1			w/ EP0, ERO
-9	5017 194AA	2			NUT, Master Cylinder to Booster Mounting

JEEP CHEROKEE (XJ)				
SERIES	LINE	BODY	ENGINE	TRANSMISSION
P=Classic	J=LHD (4WD)	74=4 Dr.(101.4WB)	ENC,EN0=2.5L 4 cyl. Turbo Die	DDD, DDQ=5 spd. Man.
S=Limited	U=RHD (4WD)	72=2 Dr.(101.4WB)	ERH,ER0=4.0L Power Tech I-6	DGS=4 spd. Auto. AISIN
H=Sport	T=LHD (2WD)		EPE,EP0=Magnum 2.5L SMPI	DG0=All Auto/Trans.
L=SE	B=RHD (2WD)			DBB=All Manual Trans.

AR = Use as required - = Non illustrated part # = New this model year

April 5, 2002

**Power Brake Vacuum Booster Hose  
Figure 005-330**



ITEM	PART NUMBER	QTY	LINE	BODY	DESCRIPTION
1					HOSE, Vacuum Supply
	5200 8761	1	B, U		
	5200 9407	1	J, T		
2					HOSE, Vacuum Supply
	5212 8003	1	J, T		
	52128 290AA	1	B, U		
3					HOSE, Vacuum Supply
	5212 8003	1	J, T		
	52128 290AA	1	B, U		
4	6100 839	2			NUT, Push, M5
5					CLIP, (NOT SERVICED)
6	5212 8232	1	J, T		HOSE, Vacuum Supply
7					TEE, Brake Vacuum
	4343 852	1	J, T		
		1	B, U		
8	5010 907AA	1	B, U		HOSE, Brake Vacuum

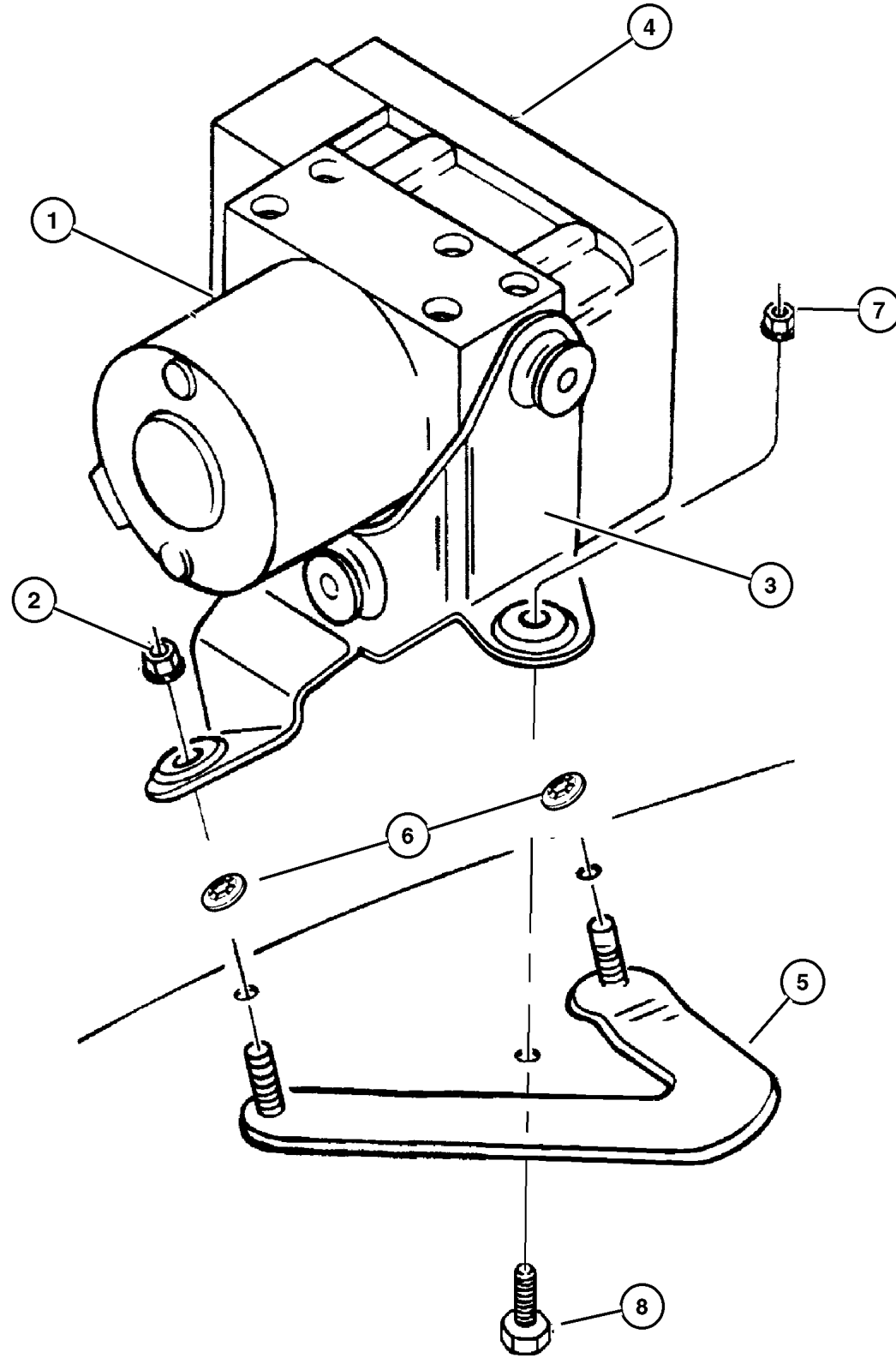
<b>JEEP CHEROKEE (XJ)</b>				
SERIES	LINE	BODY	ENGINE	TRANSMISSION
P=Classic	J=LHD (4WD)	74=4 Dr.(101.4WB)	ENC,EN0=2.5L 4 cyl. Turbo Die	DDD, DDQ=5 spd. Man.
S=Limited	U=RHD (4WD)	72=2 Dr.(101.4WB)	ERH,ER0=4.0L Power Tech I-6	DGS=4 spd. Auto. AISIN
H=Sport	T=LHD (2WD)		EPE,EP0=Magnum 2.5L SMPI	DG0=All Auto/Trans.
L=SE	B=RHD (2WD)			DBB=All Manual Trans.

AR = Use as required - = Non illustrated part # = New this model year

April 5, 2002



## Hydraulic Control Unit Figure 005-420



ITEM	PART NUMBER	QTY	LINE	BODY	DESCRIPTION
1	5200 9137	1			CONTROL UNIT, Anti-Lock Brake
2	3420 1711	2			NUT, Hex Flange, M8x1.25
3	5212 7929	1			BRACKET, Hydraulic Control Unit
4	56027 931AC	1			MODULE, Anti-lock Brakes
5	5200 8230	1			STUD PLATE, Hydraulic Control Unit
6	6100 841	2			PUSH NUT, M8
7	6503 445	1			NUT
8	6101 453	1			SCREW AND WASHER, Hex Head, M8x1.25x30

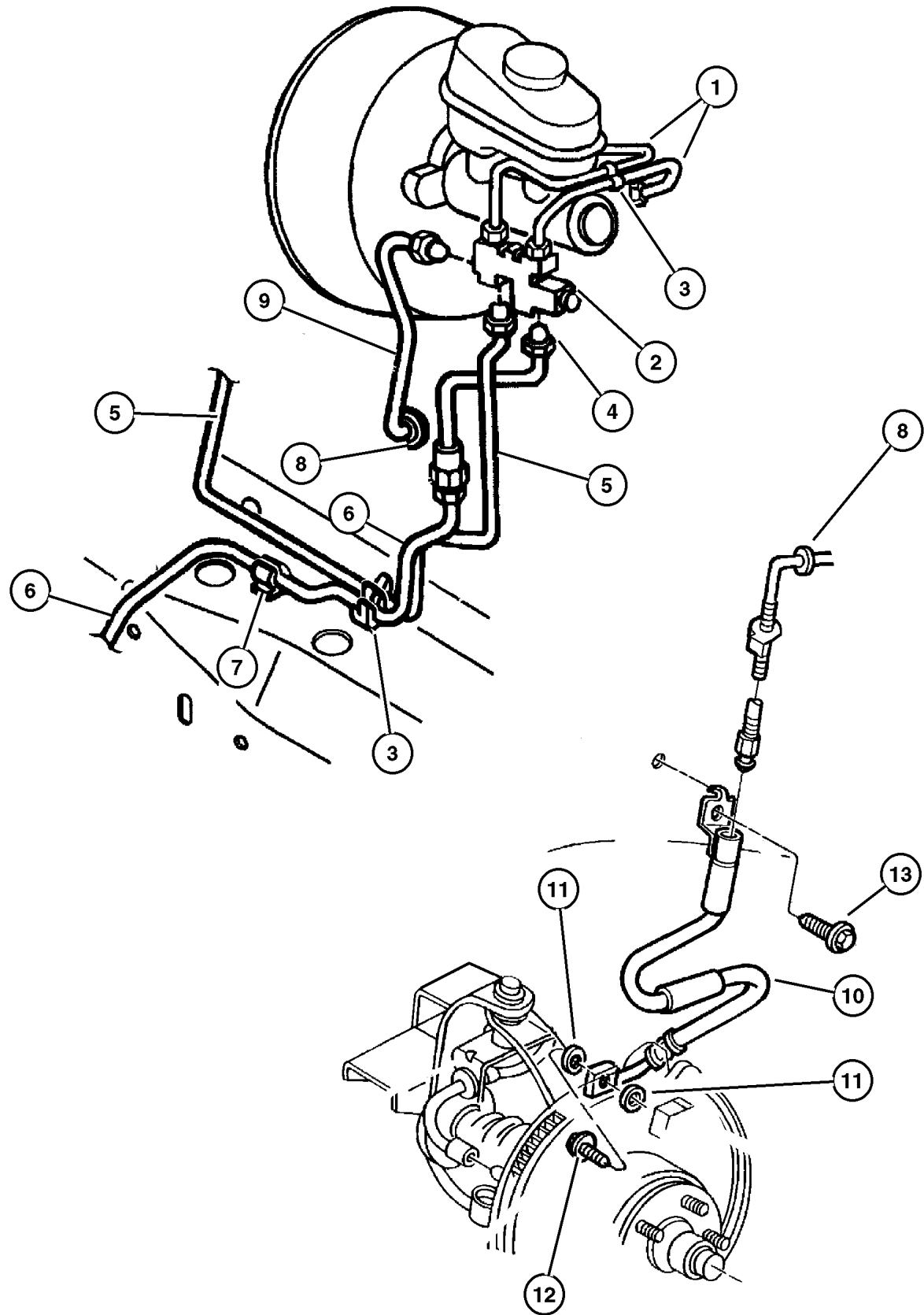
JEEP CHEROKEE (XJ)				
SERIES	LINE	BODY	ENGINE	TRANSMISSION
P=Classic	J=LHD (4WD)	74=4 Dr.(101.4WB)	ENC,EN0=2.5L 4 cyl. Turbo Die	DDD, DDQ=5 spd. Man.
S=Limited	U=RHD (4WD)	72=2 Dr.(101.4WB)	ERH,ER0=4.0L Power Tech I-6	DGS=4 spd. Auto. AISIN
H=Sport	T=LHD (2WD)		EPE,EP0=Magnum 2.5L SMPI	DG0=All Auto/Trans.
L=SE	B=RHD (2WD)			DBB=All Manual Trans.

AR = Use as required - = Non illustrated part # = New this model year

April 5, 2002

**Brake Lines, Front without Anti-Lock Brakes  
Figure 005-550**

ITEM	PART NUMBER	QTY	LINE	BODY	DESCRIPTION
1					TUBE, Brake
	5200 9069	1			Primary, Master Cylinder to Proportioning Valve
	5200 9074	1			Secondary, Master Cylinder to Proportioning Valve
2	52128 420AA	1			VALVE, Proportioning
3					CLIP, Brake Line
	5200 8940	5	B, U		
		5	J, T		
4					TUBE, Brake
	5212 8170	1	J, T		Proportioning Valve to Union
	52128 171AB	1	B, U		Proportioning Valve to Union
5					TUBE, Brake
	52127 988AC	1	J, T		Proportioning Valve to Front, Right
	52129 084AB	1	B, U		Proportioning Valve to Front, Right
6	5212 7967	1			TUBE, Brake
7	3420 2688	2			CLIP, Latch&Line
8	J312 6237	2			GROMMET, Front Brake Tube
9					TUBE, Brake
	5212 8381	1	J, T		Proportioning Valve to Front Left
	52128 327AA	1	B, U		Proportioning Valve to Front Left
10					HOSE, Brake
	52008 674AC	1			Right
	52008 675AC	1			Left
11	J323 7672	4			GASKET, Brake Hose To Caliper
12	J400 6700	2			BOLT, Hex Head, .375-24x1.03 Grade 8
13	6502 711	2			BOLT, ABS Sensor



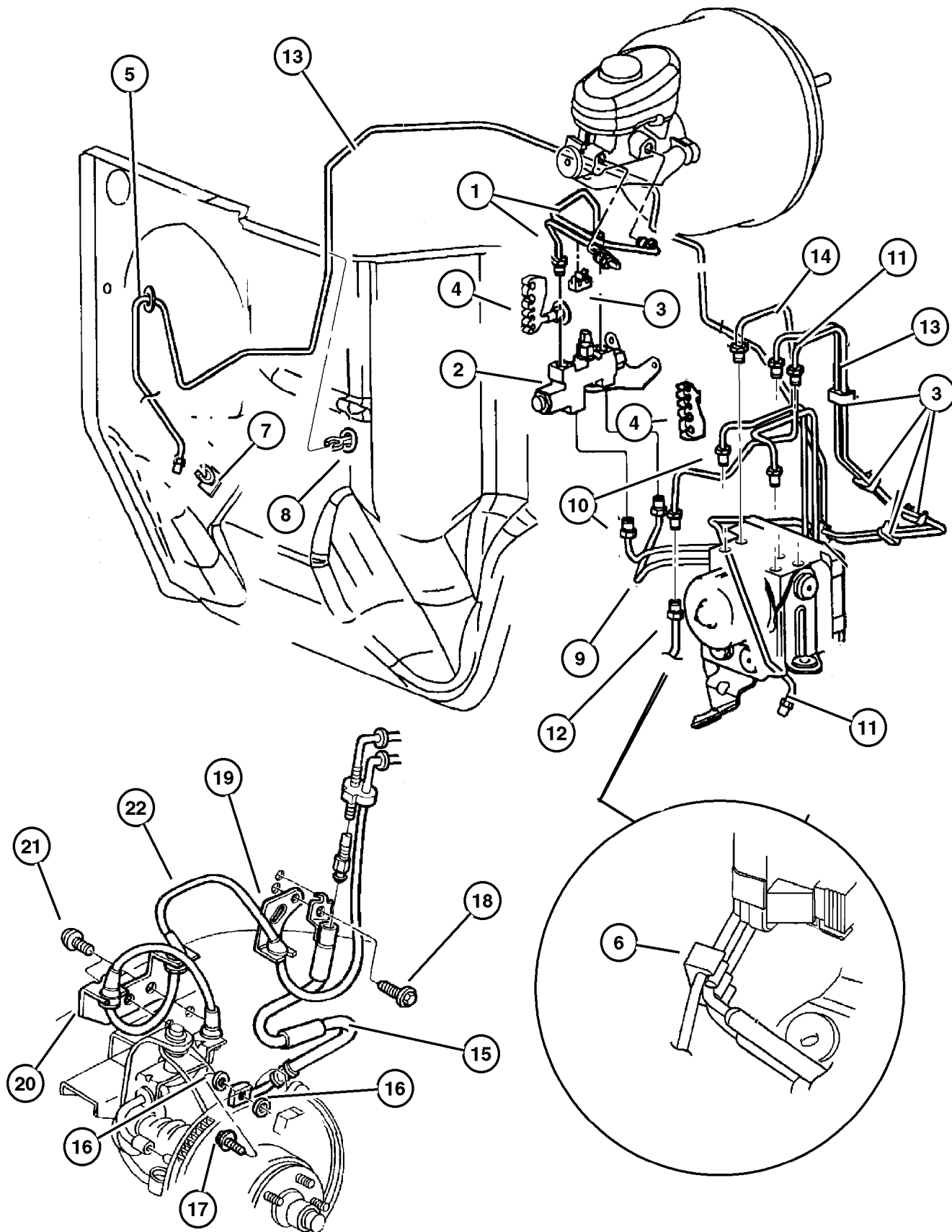
**JEEP CHEROKEE (XJ)**

SERIES	LINE	BODY	ENGINE	TRANSMISSION
P=Classic	J=LHD (4WD)	74=4 Dr.(101.4WB)	ENC,EN0=2.5L 4 cyl. Turbo Die	DDD, DDQ=5 spd. Man.
S=Limited	U=RHD (4WD)	72=2 Dr.(101.4WB)	ERH,ER0=4.0L Power Tech I-6	DGS=4 spd. Auto. AISIN
H=Sport	T=LHD (2WD)		EPE,EP0=Magnum 2.5L SMPI	DG0=All Auto/Trans.
L=SE	B=RHD (2WD)			DBB=All Manual Trans.

AR = Use as required - = Non illustrated part # = New this model year

April 5, 2002

### Brake Lines, Front with Anti-Lock Brakes Figure 005-555



ITEM	PART NUMBER	QTY	LINE	BODY	DESCRIPTION
1	5200 9069	1			TUBE, Brake Primary
	5200 9074	1			Secondary
2	5212 8035	1	J, T		VALVE, Proportioning 10' Rear Brakes
	5212 9030	1			9' Rear Brakes
3	5200 8940	5	B, U		CLIP, Brake Line
		5	J, T		
4	5212 8060	2	J, T		CLIP, Five Way
		3	B, U		
5	J312 6237	2			GROMMET, Front Brake Tube
6	5200 9163	1	J, T		CLIP, Brake Line
		7	B, U		
7	3420 2688	2			CLIP, Latch&Line
8	5212 8157	1	J, T		CLIP, Brake Line
9	5200 9067	1	J, T		TUBE, Brake Proportioning Valve to HCU Primary
	52009 075AB	1	B, U		Proportioning Valve to HCU Primary
10	5200 9068	1	J, T		TUBE, Brake Proportioning Valve to HCU Secondary
	52009 076AC	1	B, U		Proportioning Valve to HCU Secondary
11	5200 9073	1	J, T		TUBE, Brake HCU to Front, Left
	52009 079AB	1	B, U		HCU to Front, Left
12	5200 9067	1	J, T		TUBE, Brake, HCU to Union, Rear
13	52009 072AB	1	J, T		TUBE, Brake HCU to Front, Right
	52009 078AB	1	B, U		HCU to Front, Right
14	5200 9146	1			TUBE, Brake
					HOSE, Brake
15	52008 674AC	1			Right
	52008 675AC	1			Left
16	J323 7672	4			GASKET, Brake Hose To Caliper
17	J400 6700	2			BOLT, Hex Head, .375-24x1.03 Grade 8
18	6502 711	2			BOLT, ABS Sensor
					BRACKET, ABS Sensor
19	5602 6836	1			Right
	5602 6837	1			Left
20	5602 6996	1			BRACKET, Brake Sensor Right

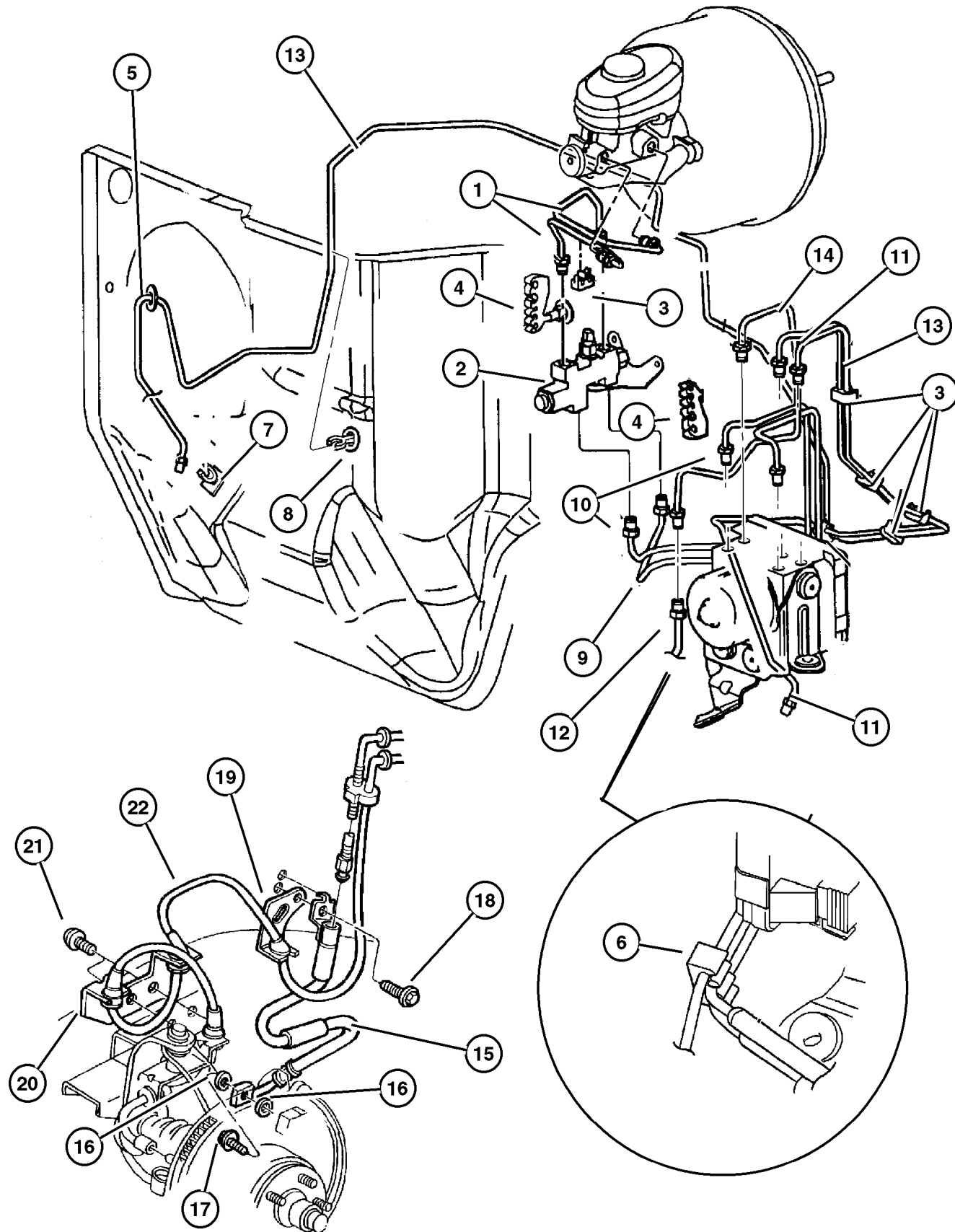
**JEEP CHEROKEE (XJ)**

SERIES	LINE	BODY	ENGINE	TRANSMISSION
P=Classic	J=LHD (4WD)	74=4 Dr.(101.4WB)	ENC,EN0=2.5L 4 cyl. Turbo Die	DDD, DDQ=5 spd. Man.
S=Limited	U=RHD (4WD)	72=2 Dr.(101.4WB)	ERH,ER0=4.0L Power Tech I-6	DGS=4 spd. Auto. AISIN
H=Sport	T=LHD (2WD)		EPE,EP0=Magnum 2.5L SMPI	DG0=All Auto/Trans.
L=SE	B=RHD (2WD)			DBB=All Manual Trans.

AR = Use as required - = Non illustrated part # = New this model year

April 5, 2002

**Brake Lines, Front with Anti-Lock Brakes  
Figure 005-555**



ITEM	PART NUMBER	QTY	LINE	BODY	DESCRIPTION
	5602 6997	1			Left
21	3420 1912	2			SCREW, Self Tapping, M6x1x14
22	5600 5217	2	B	74	SENSOR, Anti-Lock Brakes
		2	T		
		2	J		
		2	U		

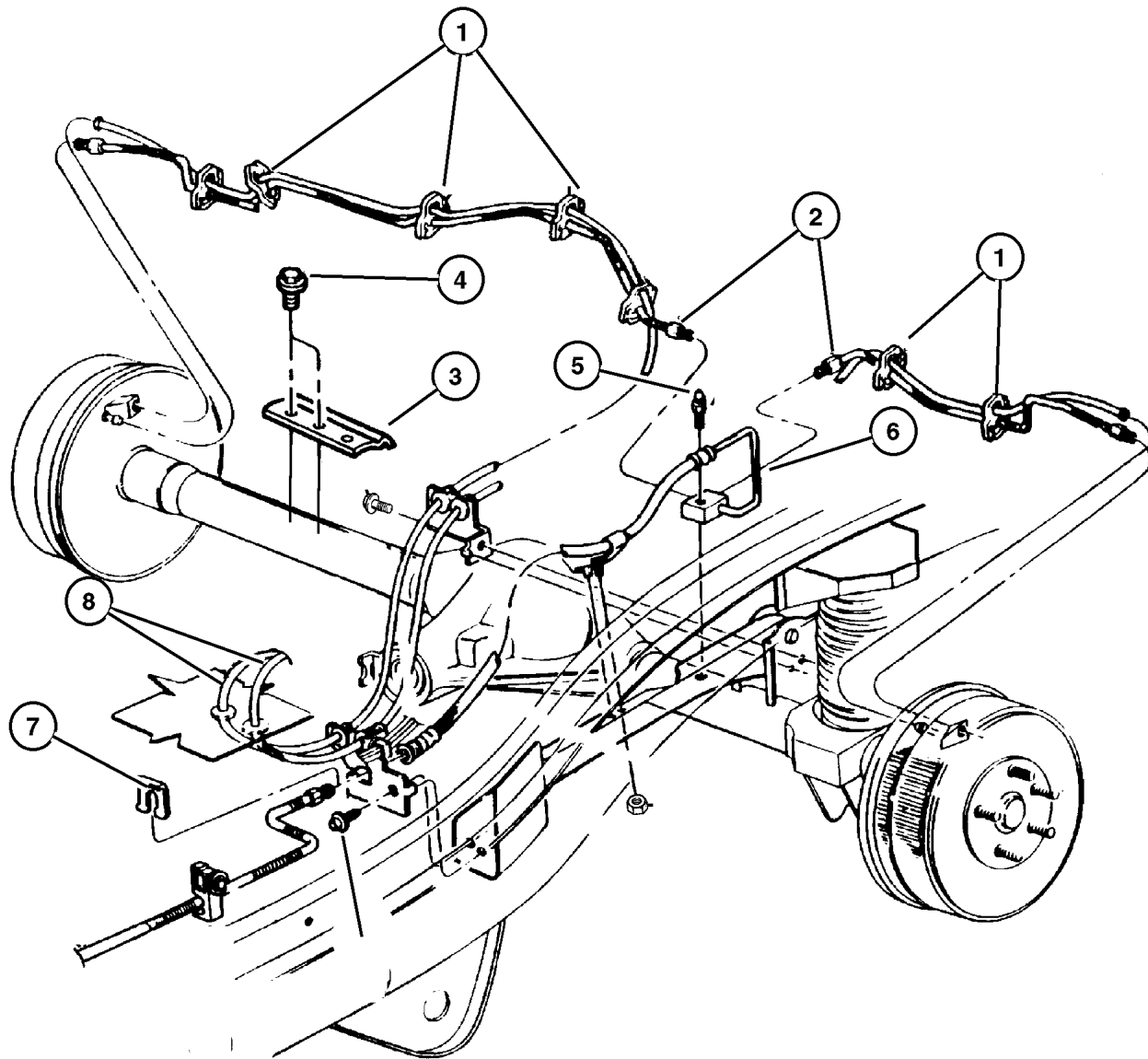
JEEP CHEROKEE (XJ)				
SERIES	LINE	BODY	ENGINE	TRANSMISSION
P=Classic	J=LHD (4WD)	74=4 Dr.(101.4WB)	ENC,EN0=2.5L 4 cyl. Turbo Die	DDD, DDQ=5 spd. Man.
S=Limited	U=RHD (4WD)	72=2 Dr.(101.4WB)	ERH,ER0=4.0L Power Tech I-6	DGS=4 spd. Auto. AISIN
H=Sport	T=LHD (2WD)		EPE,EP0=Magnum 2.5L SMPI	DG0=All Auto/Trans.
L=SE	B=RHD (2WD)			DBB=All Manual Trans.

AR = Use as required - = Non illustrated part # = New this model year

April 5, 2002

**Brake Lines and Hoses, Rear**  
**Figure 005-560**

ITEM	PART NUMBER	QTY	LINE	BODY	DESCRIPTION
1	5602 6775	10			CLIP, Tube To Speed Sensor
2					TUBE, Brake
	52128 264AC	1			Dana Model 35 axle, w/10' Brakes (Police Package), Right
	52128 265AC	1			Dana Model 35 axle, w/10' Brakes (Police Package), Left
	5212 9022	1			Chrysler 8.25 Axle, Right
	5212 9023	1			Chrysler 8.25 Axle, Left
	5213 0024	1			Dana Model 35 Axle w/ 9' Brakes, Right
	5213 0025	1			Dana Model 35 Axle w/ 9' Brakes, Left
3	5200 7800	1			CLIP, Brake Tube
4	3420 1912	4			SCREW, Self Tapping, M6x1x14
5	J318 7999	1			VENT, Axle
6	52007 562AC	1			HOSE, Brake
7	2208 893	1			LOCK, Brake Hose
8					SENSOR, Anti-Lock Brakes
	5200 5932	1			Right
	5200 5933	1			Left



**JEEP CHEROKEE (XJ)**

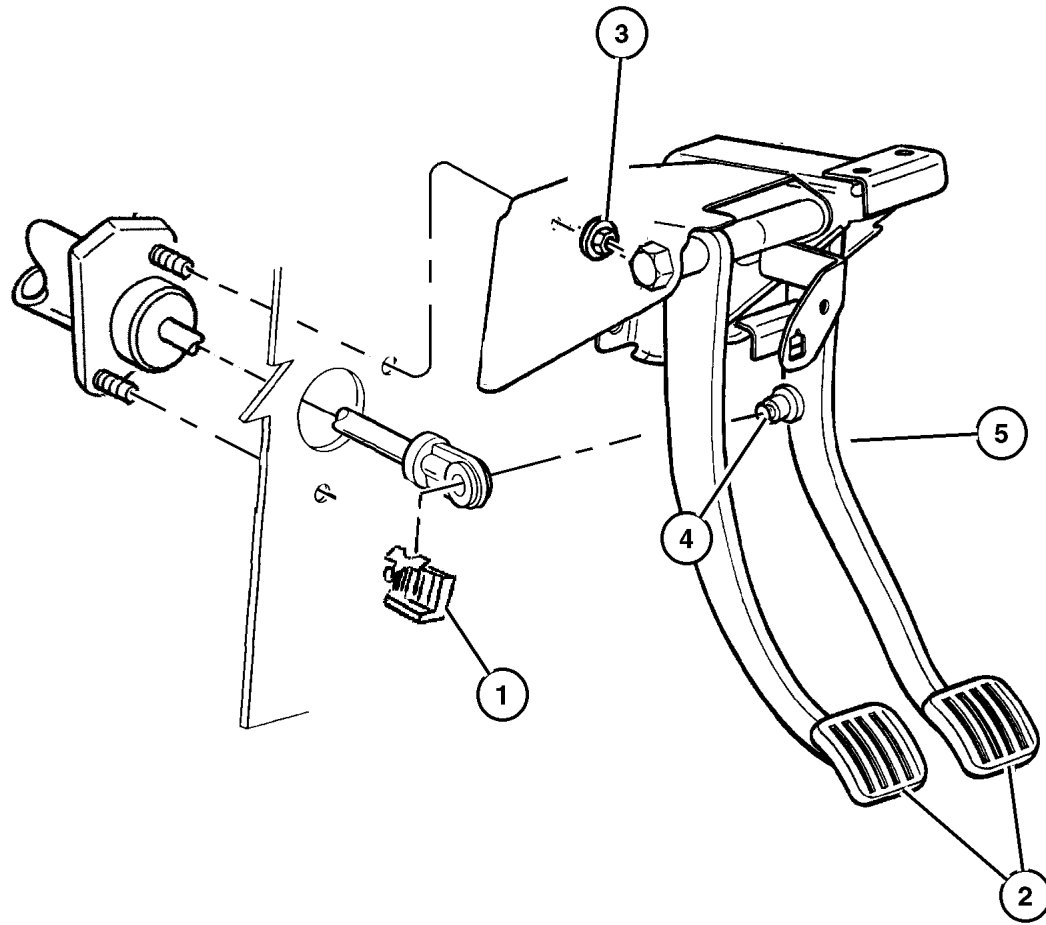
SERIES	LINE	BODY	ENGINE	TRANSMISSION
P=Classic	J=LHD (4WD)	74=4 Dr.(101.4WB)	ENC,EN0=2.5L 4 cyl. Turbo Die	DDD, DDQ=5 spd. Man.
S=Limited	U=RHD (4WD)	72=2 Dr.(101.4WB)	ERH,ER0=4.0L Power Tech I-6	DGS=4 spd. Auto. AISIN
H=Sport	T=LHD (2WD)		EPE,EP0=Magnum 2.5L SMPI	DG0=All Auto/Trans.
L=SE	B=RHD (2WD)			DBB=All Manual Trans.

AR = Use as required - = Non illustrated part # = New this model year

April 5, 2002

## Brake Pedal Figure 005-610

ITEM	PART NUMBER	QTY	LINE	BODY	DESCRIPTION
1	6035 334	1			CLIP, Brake Push Rod
2	4779 027	1	B, U		PAD, Pedal
		1	J, T		
3	J400 3909	2			NUT, Hex Flange With Serration
4	52078 848AE	1	B, U		PEDAL, Brake w/ Auto Trans
	52129 061AG	1	J, T		w/ Auto Trans
5	52079 254AC	1	B, U		PEDAL, Brake And Clutch w/ Manual Trans
	52128 398AA	1	J, T		w/ Manual Trans
-6	4446 361	1			BUSHING, Hydraulic Clutch Actuator



<b>JEEP CHEROKEE (XJ)</b>				
SERIES	LINE	BODY	ENGINE	TRANSMISSION
P=Classic	J=LHD (4WD)	74=4 Dr.(101.4WB)	ENC,EN0=2.5L 4 cyl. Turbo Die	DDD, DDQ=5 spd. Man.
S=Limited	U=RHD (4WD)	72=2 Dr.(101.4WB)	ERH,ER0=4.0L Power Tech I-6	DGS=4 spd. Auto. AISIN
H=Sport	T=LHD (2WD)		EPE,EP0=Magnum 2.5L SMPI	DG0=All Auto/Trans.
L=SE	B=RHD (2WD)			DBB=All Manual Trans.

AR = Use as required - = Non illustrated part # = New this model year

April 5, 2002

# Group – 006

## Clutch

### GROUP 6 - Clutch

Illustration Title

Group-Fig. No.

#### Clutch

Clutch ..... Fig. 006-110

#### Clutch Housing

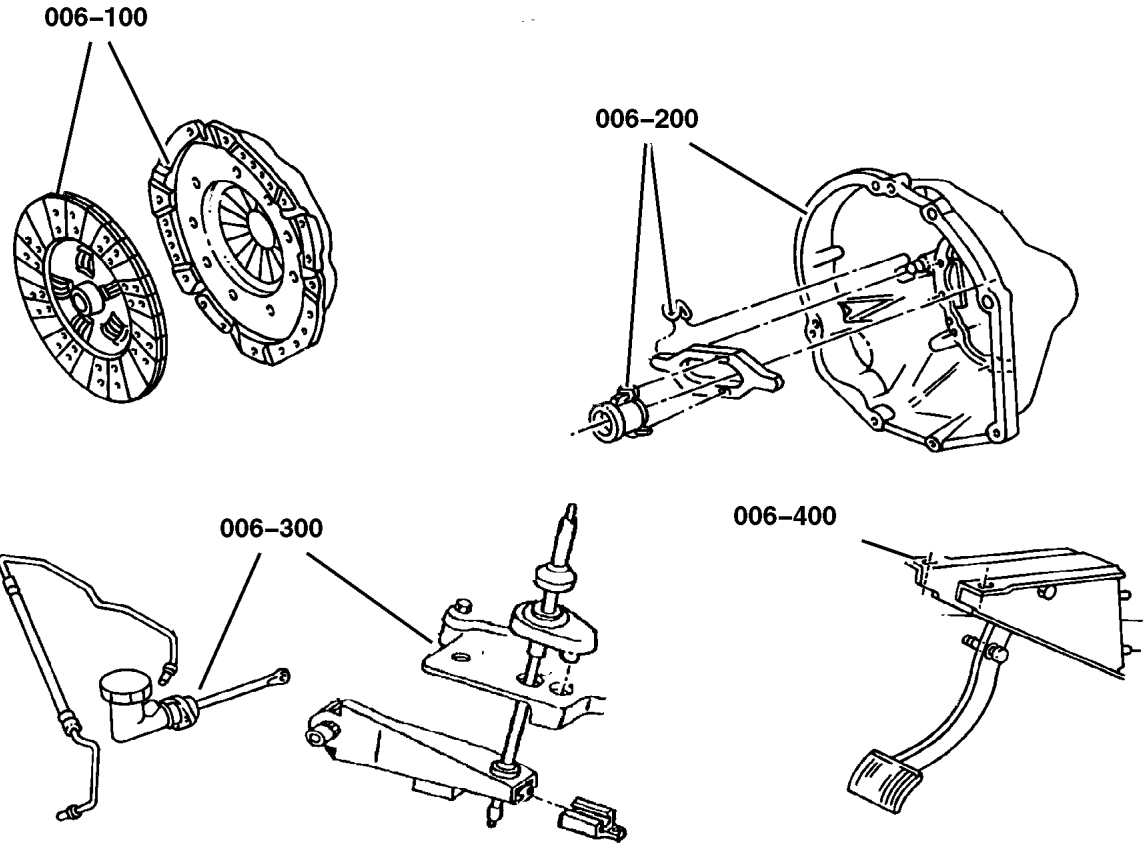
Clutch Housing ..... Fig. 006-210

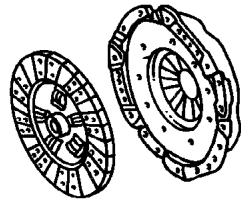
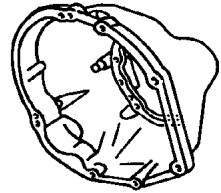
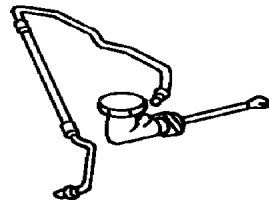
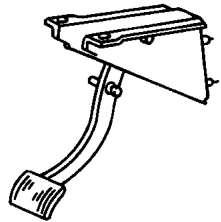
#### Clutch Controls

Clutch Control ..... Fig. 006-320

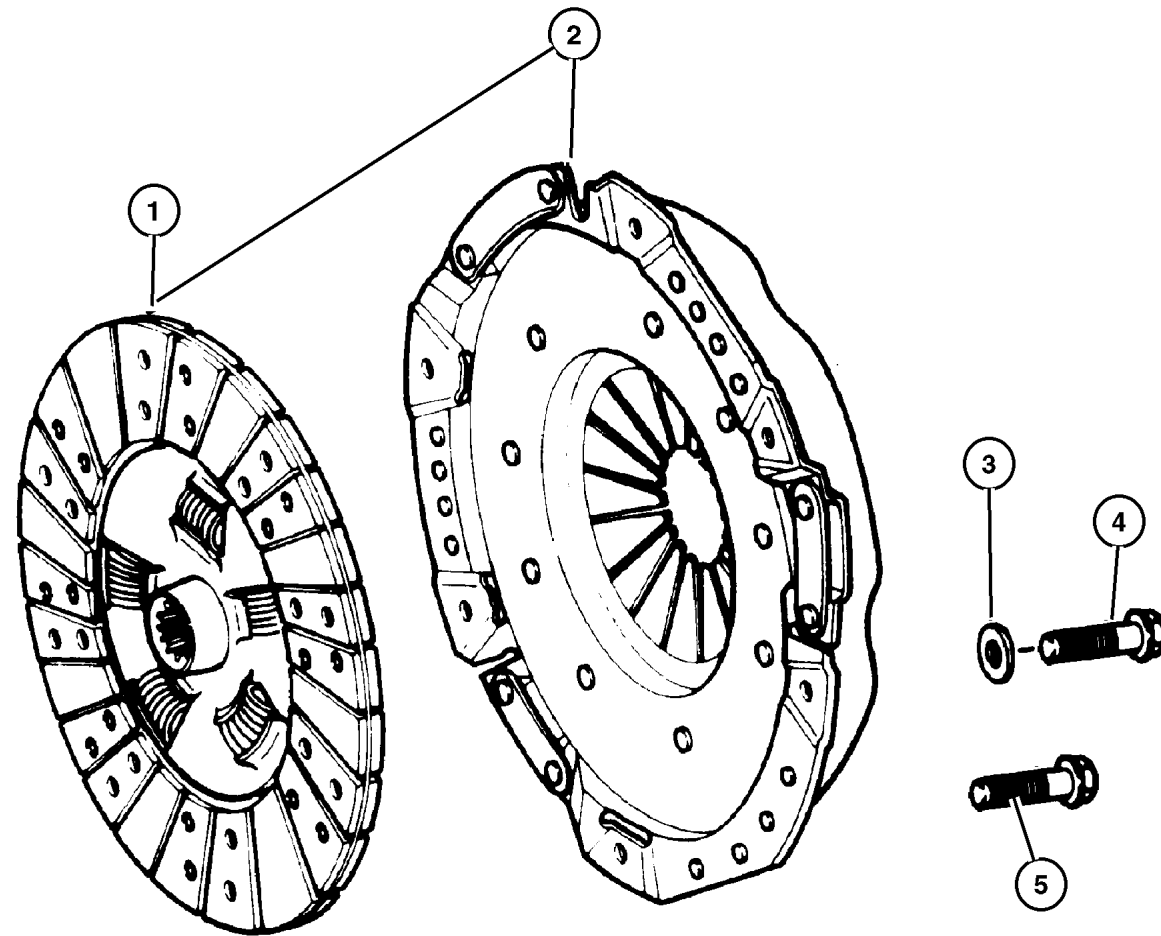
#### Clutch Pedals

Pedal Clutch ..... Fig. 006-420



<p><b>006-100</b> Clutch</p> 	<p><b>006-200</b> Clutch Housing</p> 	<p><b>006-300</b> Clutch Controls</p> 	<p><b>006-400</b> Clutch Pedals</p> 
--	--	--	---

## Clutch Figure 006-110



ITEM	PART NUMBER	QTY	LINE	ENGINE	TRANS	DESCRIPTION
Notes: manual, 12 Disc Magazine.						
EPO= All 2.5L, 4 Cylinder, Gas Engine manual, 12 Disc Magazine.						
ER0= All 4L., 6 Cylinder, Gas Engine manual, 12 Disc Magazine.						
EN0= All 4/5 Cylinder, Turbo Diesel Engine manual, 12 Disc Magazine.						
DDD = 5 Speed Heavy Duty Manual Transmission manual, 12 Disc Magazine.						
DBB = All Manual Transmissions manual, 12 Disc Magazine.						
1						DISC, Clutch
	#52104 363AA	1		ER0	DDD	
	5210 7571	1		EPO	DBB	
	#53008 259AB	1		EN0	DDD	
2						CLUTCH PACKAGE
	#4874 175AC	1		EN0	DDD	
	#5015 606AA	1		ER0	DDD	
3	1150 0221	6		EPO	DBB	WASHER, Flat
4	3420 1373	6		EPO	DBB	BOLT, Hex Head, M8x1.25x22
5						BOLT, Hex Head, .375-16x.84
	6035 626	6		ER0	DBB	
		6		EN0	DBB	
-6	5210 7570	1		EPO	DBB	CLUTCH KIT, Manual Transmission

JEEP CHEROKEE (XJ)				
SERIES	LINE	BODY	ENGINE	TRANSMISSION
P=Classic	J=LHD (4WD)	74=4 Dr.(101.4WB)	ENC,EN0=2.5L 4 cyl. Turbo Die	DDD, DDQ=5 spd. Man.
S=Limited	U=RHD (4WD)	72=2 Dr.(101.4WB)	ERH,ER0=4.0L Power Tech I-6	DGS=4 spd. Auto. AISIN
H=Sport	T=LHD (2WD)		EPE,EPO=Magnum 2.5L SMPI	DG0=All Auto/Trans.
L=SE	B=RHD (2WD)			DBB=All Manual Trans.

AR = Use as required - = Non illustrated part # = New this model year



## Clutch Housing Figure 006-210

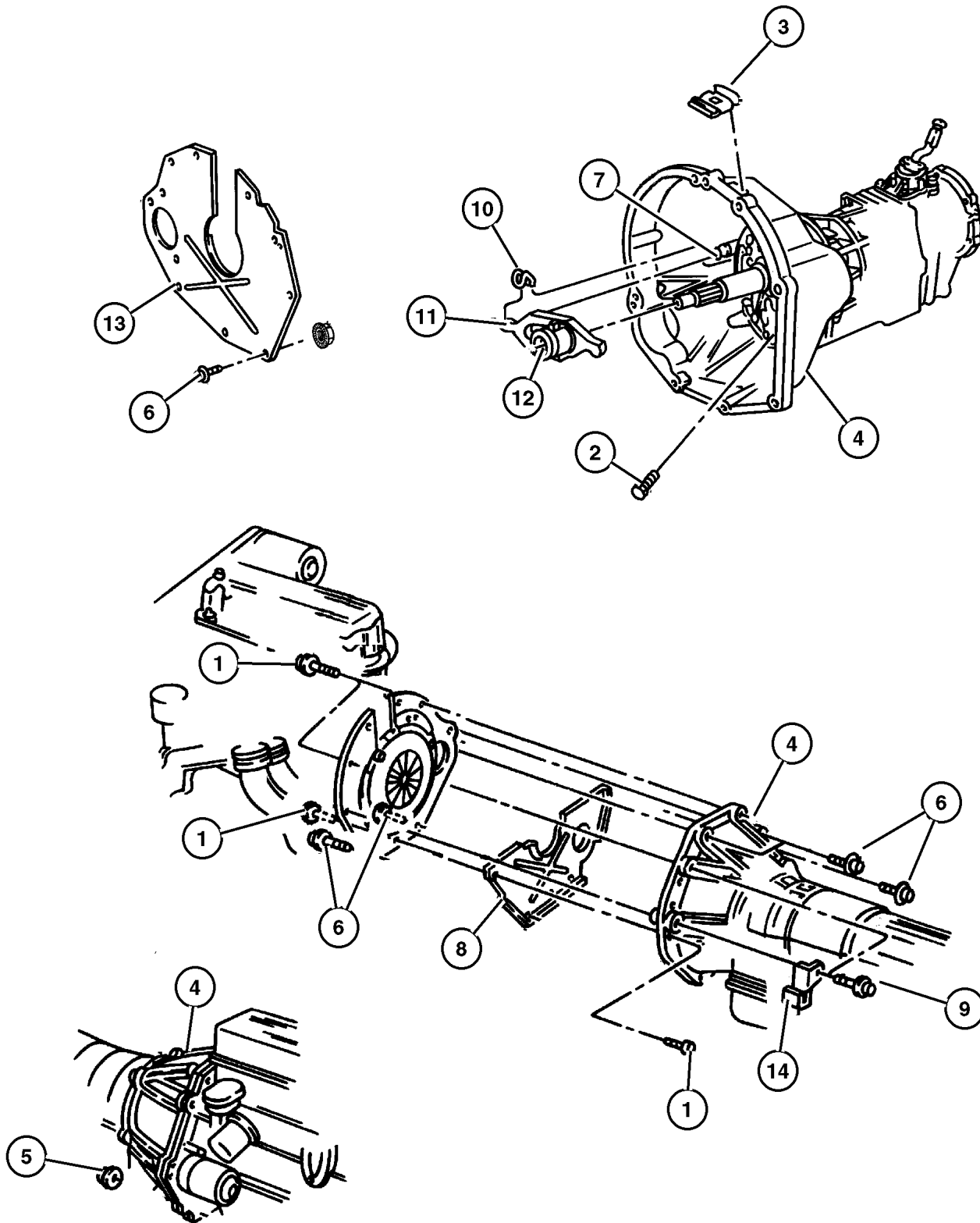
ITEM	PART NUMBER	QTY	LINE	ENGINE	TRANS	DESCRIPTION
Notes: manual, 12 Disc Magazine.						
EPO= All 2.5L, 4 Cylinder, Gas Engine manual, 12 Disc Magazine.						
ER0= All 4L., 6 Cylinder, Gas Engine manual, 12 Disc Magazine.						
EN0= All 4/5 Cylinder, Turbo Diesel Engine manual, 12 Disc Magazine.						
DDD = 5 Speed Heavy Duty Manual Transmission manual, 12 Disc Magazine.						
DBB = All Manual Transmissions manual, 12 Disc Magazine.						
1						BOLT, Hex Flange Head, M8x2.12x16
	1150 0986	3		ER0	DBB	
		2		EP0	DBB	
2	6503 299	9			DBB	BOLT, Hex Head
3	5300 6010	1		EP0, ER0	DBB	GROMMET, Timing Probe
4						HOUSING, Clutch
	5210 4045	1		ER0	DDD	
	5210 7552	1		EN0, ER0	DBB	
5						NUT, .375-16
	0152 344	1		EP0	DBB	
		1		EN0, ER0	DBB	
6	1150 4922	2		EP0	DBB	BOLT, Hex Head, M12x1.75x50
7						PIVOT, Clutch Release
	5208 7542	1		EP0	DBB	
		1		EN0, ER0	DBB	
8	5300 3382	1		EP0	DBB	COVER, Transmission Dust
9	3420 1837	2		EP0	DBB	BOLT, Hex Flange Head, M12x1.75x90
10	4338 855	1			DBB	SPRING, Clutch Release
11	5210 7555	1			DBB	FORK, Clutch Release
12	5300 8342	1			DBB	BEARING, Clutch Release
13	53004 473AB	1		ER0	DBB	SPACER, Clutch Housing
14	#52107 595AB	1		EN0	DBB	BRACKET, Clutch Tube

### JEEP CHEROKEE (XJ)

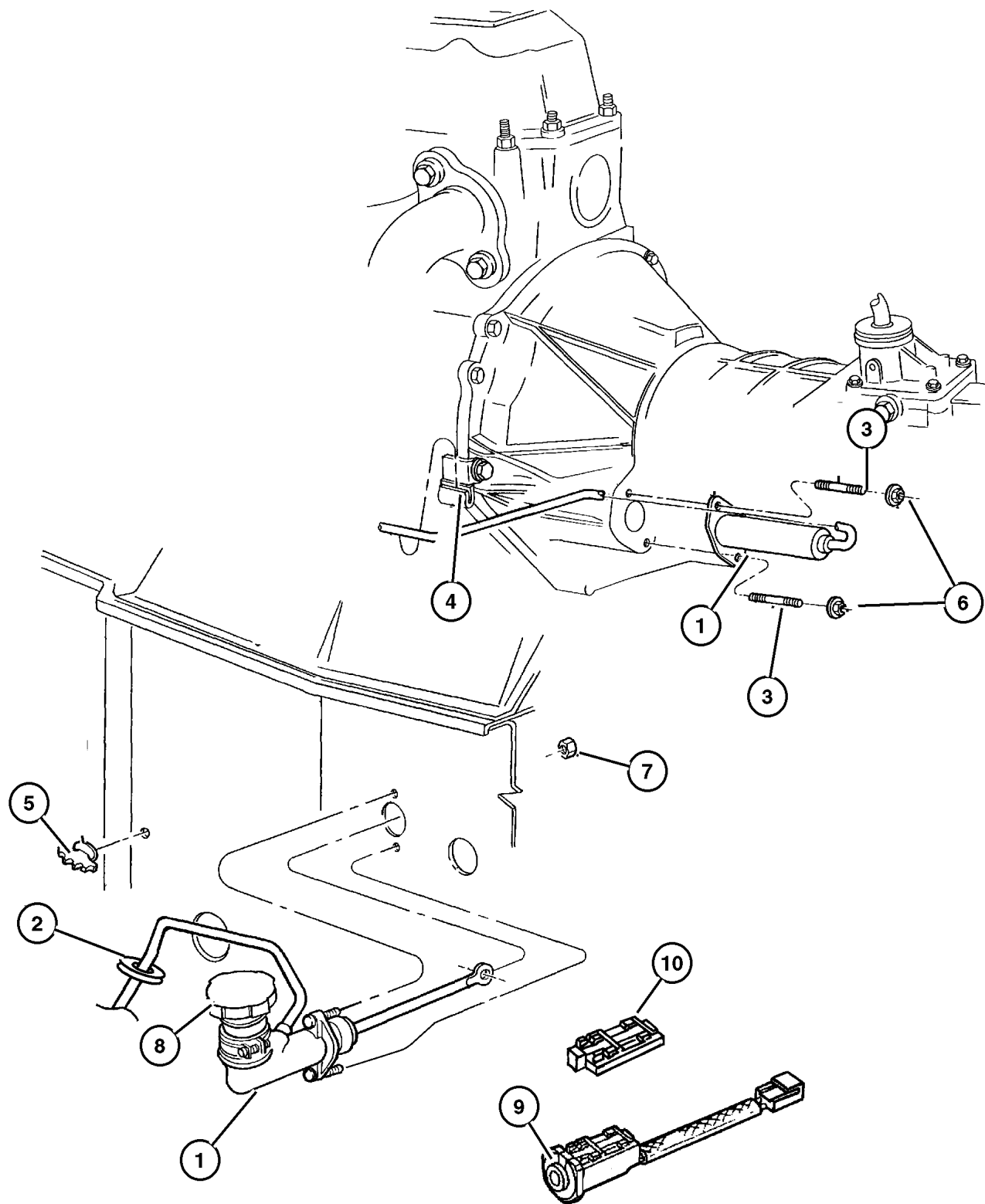
SERIES	LINE	BODY	ENGINE	TRANSMISSION
P=Classic	J=LHD (4WD)	74=4 Dr.(101.4WB)	ENC,EN0=2.5L 4 cyl. Turbo Die	DDD, DDQ=5 spd. Man.
S=Limited	U=RHD (4WD)	72=2 Dr.(101.4WB)	ERH,ER0=4.0L Power Tech I-6	DGS=4 spd. Auto. AISIN
H=Sport	T=LHD (2WD)		EPE,EP0=Magnum 2.5L SMPI	DG0=All Auto/Trans.
L=SE	B=RHD (2WD)			DBB=All Manual Trans.

AR = Use as required - = Non illustrated part # = New this model year

April 5, 2002



## Clutch Control Figure 006-320



ITEM	PART NUMBER	QTY	LINE	ENGINE	TRANS	DESCRIPTION
Notes: manual, 12 Disc Magazine.						
EP0= All 2.5L, 4 Cylinder, Gas Engine manual, 12 Disc Magazine.						
ER0= All 4L., 6 Cylinder, Gas Engine manual, 12 Disc Magazine.						
EN0= All 4/5 Cylinder, Turbo Diesel Engine manual, 12 Disc Magazine.						
DBB = All Manual Transmissions manual, 12 Disc Magazine.						
1						HYDRAULIC CONTROL, Clutch Actuator
	#52107 654AC	1	J, T	EN0	DBB	
	52107 657AB	1	U	EN0	DBB	
	#52119 686AA	1	J, T	EP0,	DBB	
				ER0		
	#52119 687AA	1	B, U	EP0,	DBB	
				ER0		
2						CLIP, Tube
	3200 0404	3	B, U			
		2	J, T			
3	6032 878	2			DBB	STUD, .312-18x2.00
4	#52107 595AB	1			DBB	BRACKET, Clutch Tube
5						CLIP, Five Way
	5212 8060	3	B, U			
		2	J, T			
6	0152 472	2			DBB	NUT, Hex Flange Lock, .312-18
7	J400 3909	4				NUT, Hex Flange With Serration
8						CAP, Clutch Reservoir
	4883 544AA	1	J, T	EP0,	DBB	
				ER0		
		1	B, U	EP0,	DBB	
				ER0		
		1	J, T	EN0	DBB	
		1	U	EN0	DBB	
9						SWITCH, Clutch Starter Interlock
	53007 944AB	1	J, T	EN0,	ER0	
				EP0,	DBB	
		1	B, U	EP0,	DBB	
				ER0		
		1	U	EN0	DBB	
10						COVER, Switch
	5015 960AA	1	J, T	EN0	DBB	
		1	J, T	EP0,	DBB	
				ER0		
		1	U	EN0	DBB	
		1	B, U	EP0,	DBB	
				ER0		

### JEEP CHEROKEE (XJ)

SERIES	LINE	BODY	ENGINE	TRANSMISSION
P=Classic	J=LHD (4WD)	74=4 Dr.(101.4WB)	ENC,EN0=2.5L 4 cyl. Turbo Die	DDD, DDQ=5 spd. Man.
S=Limited	U=RHD (4WD)	72=2 Dr.(101.4WB)	ERH,ER0=4.0L Power Tech I-6	DGS=4 spd. Auto. AISIN
H=Sport	T=LHD (2WD)		EPE,EP0=Magnum 2.5L SMPI	DG0=All Auto/Trans.
L=SE	B=RHD (2WD)			DBB=All Manual Trans.

AR = Use as required - = Non illustrated part # = New this model year

April 5, 2002

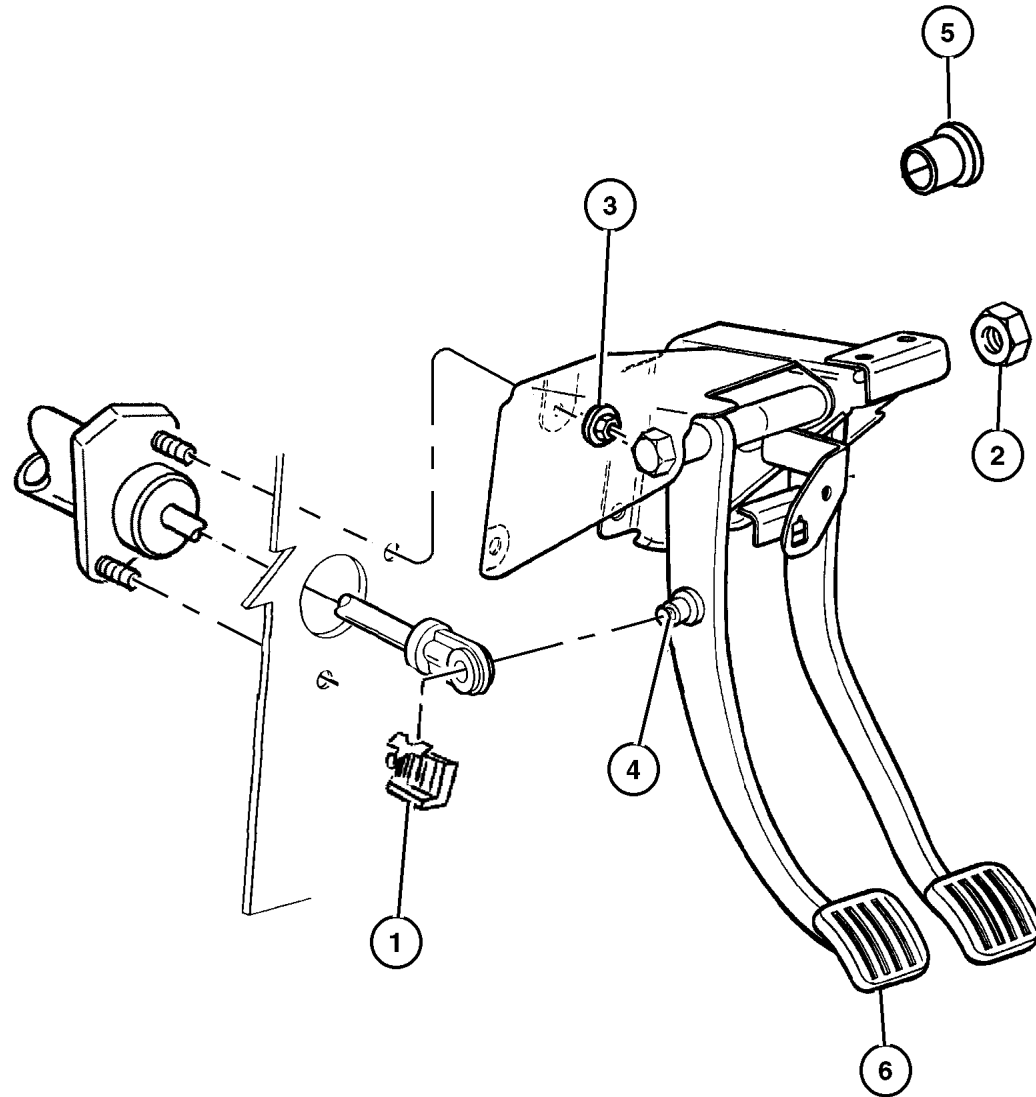
**Pedal Clutch**  
**Figure 006-420**

ITEM	PART NUMBER	QTY	LINE	ENGINE	TRANS	DESCRIPTION
------	-------------	-----	------	--------	-------	-------------

Notes: manual, 12 Disc Magazine.

DBB = All Manual Transmissions manual, 12 Disc Magazine.

1	6035 334	1				CLIP, Brake Push Rod
2						NUT, Engine Mounting, M12 x 1.75, (NOT REQUIRED)
3	J400 3909	2			DBB	NUT, Hex Flange With Serration
4	4446 361	1				BUSHING, Hydraulic Clutch Actuator
5						BUSHING, Clutch and Brake Pedal, (NOT REQUIRED)
6	5200 2750	2	B, U		DBB	PAD, Pedal
		1	J, T		DBB	



**JEEP CHEROKEE (XJ)**

SERIES	LINE	BODY	ENGINE	TRANSMISSION
P=Classic	J=LHD (4WD)	74=4 Dr.(101.4WB)	ENC,EN0=2.5L 4 cyl. Turbo Die	DDD, DDQ=5 spd. Man.
S=Limited	U=RHD (4WD)	72=2 Dr.(101.4WB)	ERH,ER0=4.0L Power Tech I-6	DGS=4 spd. Auto. AISIN
H=Sport	T=LHD (2WD)		EPE,EP0=Magnum 2.5L SMPI	DG0=All Auto/Trans.
L=SE	B=RHD (2WD)			DBB=All Manual Trans.

AR = Use as required - = Non illustrated part # = New this model year

April 5, 2002

# Group – 007

## Cooling

### GROUP 7 - Cooling

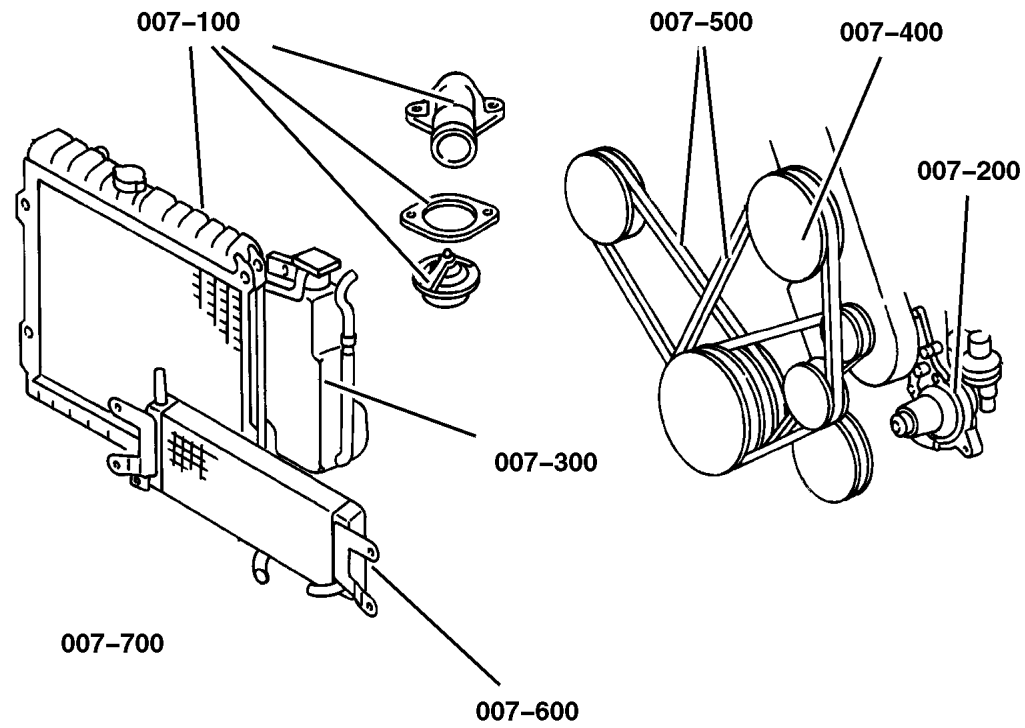


Illustration Title

Group-Fig. No.

#### Radiator and Related Parts

Radiator and Related Parts, 4.0L Engine .....	Fig. 007-120
Radiator and Related Parts, 2.5L Gas Engine .....	Fig. 007-130
Radiator and Related Parts, 2.5L Diesel Engine .....	Fig. 007-145
Charge Air Cooler, 2.5L Diesel Engine .....	Fig. 007-147

#### Water Pump and Related Parts

Water Pump and Related Parts, 2.5,4.0L Gas Engines .....	Fig. 007-210
Water Pump and Water Manifold, 2.5L Diesel Engine .....	Fig. 007-215

#### Tank, Coolant Engine

Bottle, Coolant Recovery, LHD .....	Fig. 007-305
Bottle, Coolant Recovery, RHD .....	Fig. 007-310

#### Pulleys and Related Parts

Drive Pulleys, 2.5L Gas Engine .....	Fig. 007-407
Drive Pulleys, 4.0L Engine, LHD .....	Fig. 007-408
Drive Pulleys, 4.0L Engine, RHD .....	Fig. 007-409
Drive Pulleys, 2.5L Diesel Engine .....	Fig. 007-415

#### Drive Belts

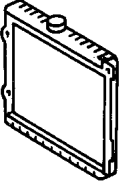
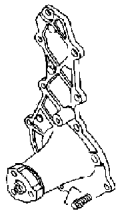

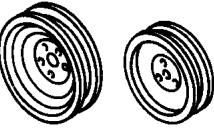
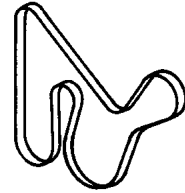
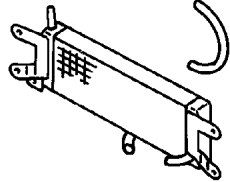
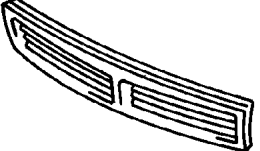
Drive Belts .....	Fig. 007-510
-------------------	--------------

#### Lines, Transmission Oil Cooler

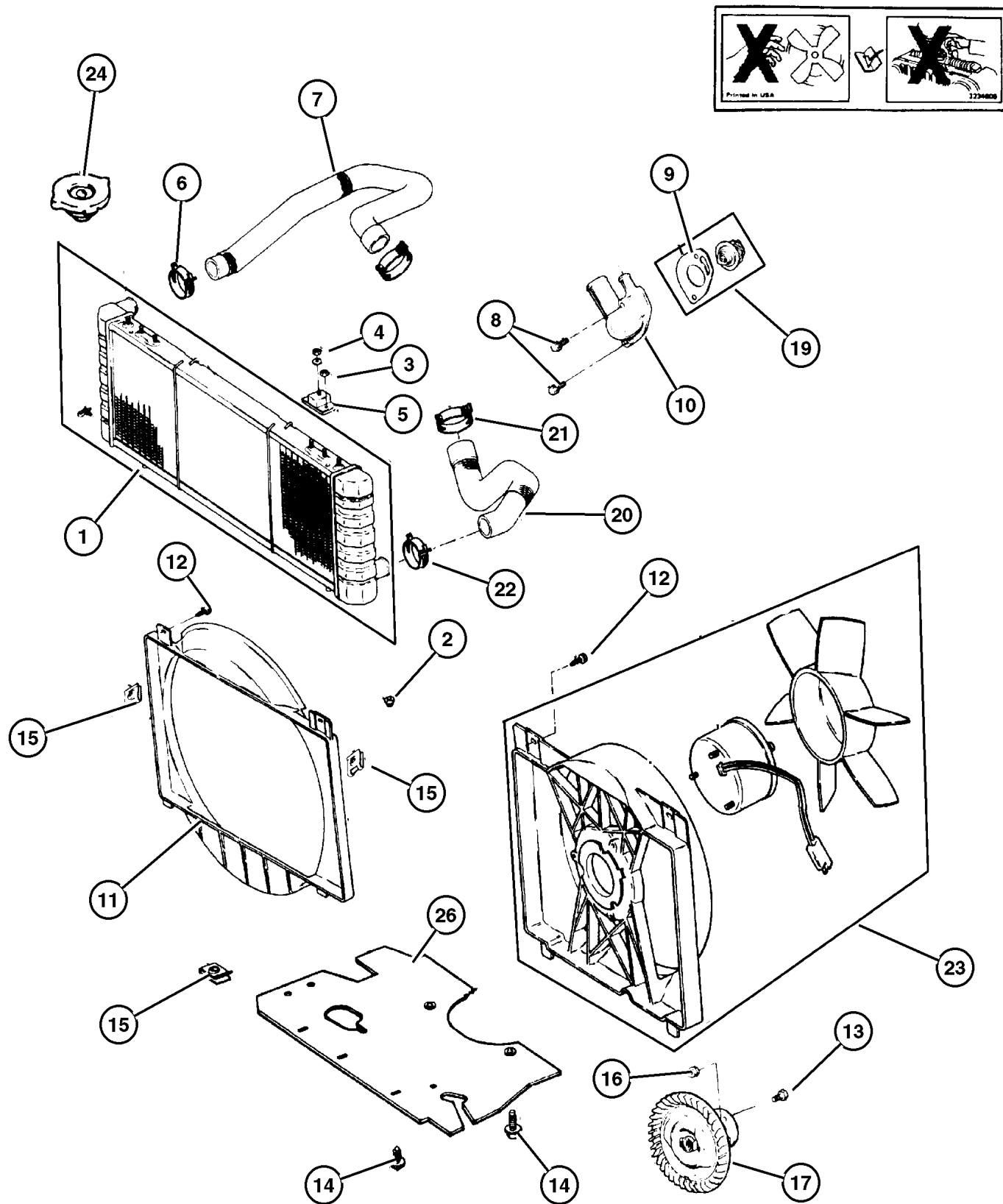
Oil Cooler Lines, LHD .....	Fig. 007-610
Oil Cooler Lines, RHD .....	Fig. 007-620

#### Grilles

Grille and Related Parts .....	Fig. 007-710
--------------------------------	--------------

<p><b>007-100</b> Radiator and Related Parts</p> 	<p><b>007-200</b> Water Pump and Related Parts</p> 	<p><b>007-300</b> Tank, Coolant Engine</p> 	<p><b>007-400</b> Pulleys and Related Parts</p> 
<p><b>007-500</b> Drive Belts</p> 	<p><b>007-600</b> Lines, Transmission Oil Cooler</p> 	<p><b>007-700</b> Grilles</p> 	

## Radiator and Related Parts, 4.0L Engine Figure 007-120



ITEM	PART NUMBER	QTY	LINE	ENGINE	TRANS	DESCRIPTION
Note: Sales Code ER0 = 4.0L Engine manual, 12 Disc Magazine.						
Note: Sales Code DGB = Manual Trans manual, 12 Disc Magazine.						
Note: Sales Code DG0 = All Auto Trans manual, 12 Disc Magazine.						
1						RADIATOR, Engine Cooling Copper Brass Middle East
	5202 8133	1	J, T	ER0	DBB	
	5202 8537	1	B, U	ER0	DG0	
	5202 8544	1	B, U	ER0	DBB	
	52080 104AC	1	J, T	ER0	DG0	With Max Cooling
	52080 115AC	1	J, T	ER0	DBB	
	52079 682AE	1	J, T	ER0	DG0	Without Max Cooling
2	J068 7550	2		EN0, EP0,	ER0	GROMMET, Radiator
3	1150 2722	2		EN0,		NUT, Hex Flange, M5x.8
4	1150 3745	2		EN0, EP0,	ER0	NUT, Hex, M6x1
5	5200 2585	2		EN0, EP0,	ER0	ISOLATOR, Radiator
6	3200 2983	1		EP0, ER0		CLAMP, Hose, 32mm Black
7						HOSE, Radiator
	5200 6301	1	J, T	ER0		
	5202 9635	1	B, U	ER0		
8	6034 927	1		EP0, ER0		SCREW AND WASHER, Hex Head, .312-18x.970
9	53020 547AB	1		EP0, ER0		GASKET, Thermostat
10	5300 6192	1		EP0, ER0		HOUSING, Thermostat
11						SHROUD, Fan
	52027 501AB	1	J, T	ER0		
	5202 8324	1	B, U	ER0		
12						SCREW, (NOT SERVICED)
13	6034 860	4		EP0, ER0		BOLT AND WASHER, Implement Attaching
14	5200 9234	1				FASTENER, Push Pin
15						NUT, U Type, M10 x 1.50, (NOT SERVICED)
16						NUT, (NOT SERVICED)
17	5207 9625	1		ER0		VISCOUS CLUTCH, Fan Drive
-18	5200 2593	1		ER0		FAN
19	5202 8186	1		EP0, ER0		THERMOSTAT, 195 Degrees

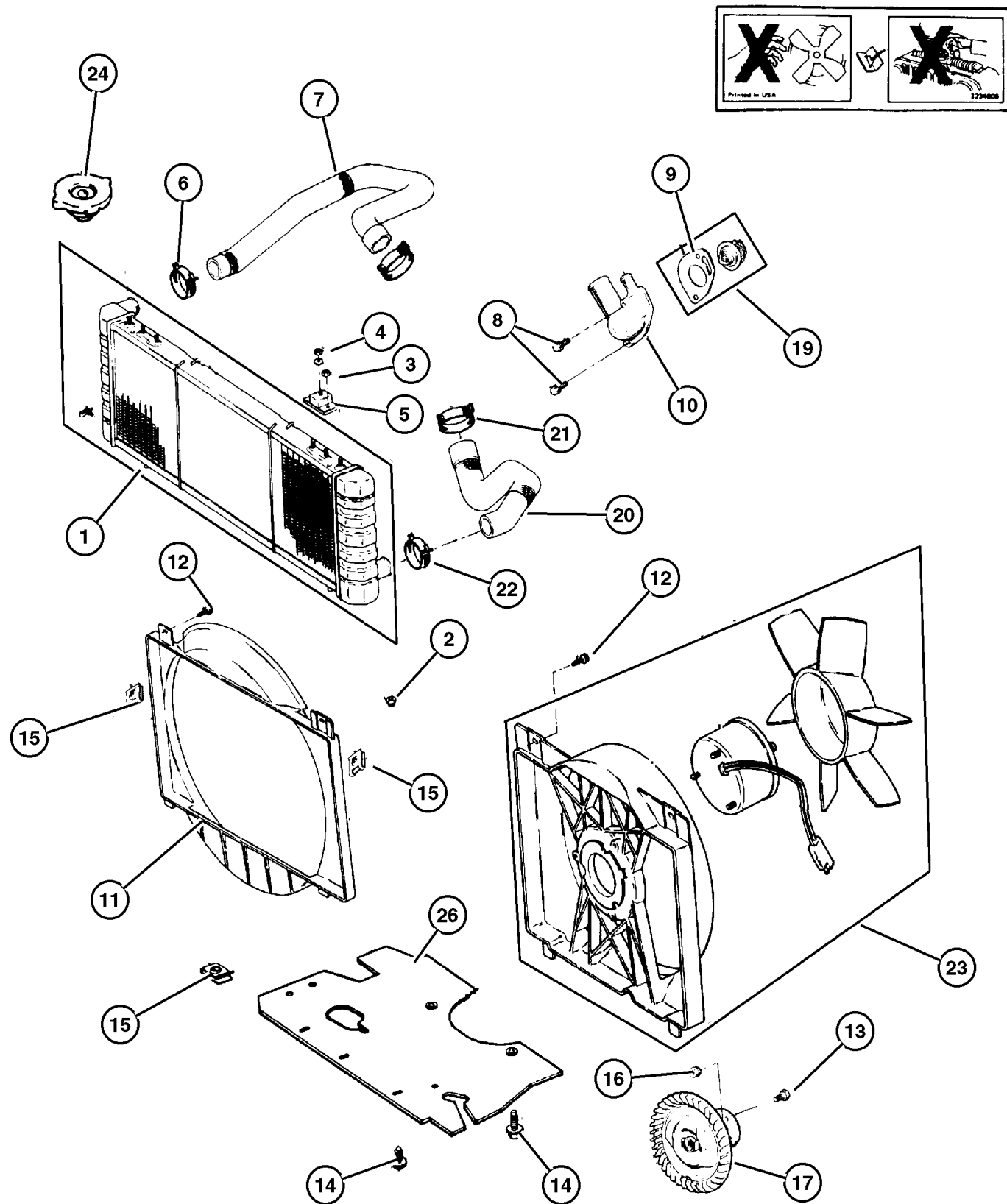
### JEEP CHEROKEE (XJ)

SERIES	LINE	BODY	ENGINE	TRANSMISSION
P=Classic	J=LHD (4WD)	74=4 Dr.(101.4WB)	ENC,EN0=2.5L 4 cyl. Turbo Die	DDD, DDQ=5 spd. Man.
S=Limited	U=RHD (4WD)	72=2 Dr.(101.4WB)	ERH,ER0=4.0L Power Tech I-6	DGS=4 spd. Auto. AISIN
H=Sport	T=LHD (2WD)		EPE,EP0=Magnum 2.5L SMPI	DG0=All Auto/Trans.
L=SE	B=RHD (2WD)			DBB=All Manual Trans.

AR = Use as required - = Non illustrated part # = New this model year

April 5, 2002

## Radiator and Related Parts, 4.0L Engine Figure 007-120



ITEM	PART NUMBER	QTY	LINE	ENGINE	TRANS	DESCRIPTION
20	52028 286AE	1		ER0		HOSE, Radiator Inlet
21	3200 2366	1		EP0, ER0		CLAMP, Hose, 55mm Black
22	3200 2366	1		EP0, ER0		CLAMP, Hose, 55mm Black
23						FAN MODULE, Radiator Cooling
	52028 337AB	1	J, T	ER0		
	52028 338AB	1	J	ER0		Middle East
	52028 339AB	1	B, U	ER0		
24	3781 830	1	J, T	ER0	DBB	CAP, Radiator
-25						DRAINCOCK, Radiator
	5202 8466	1	J, T	ER0	DG0	
		1	J, T	ER0	DBB	
26	5517 4736	1		EP0, ER0		SHIELD, Engine

JEEP CHEROKEE (XJ)				
SERIES	LINE	BODY	ENGINE	TRANSMISSION
P=Classic	J=LHD (4WD)	74=4 Dr.(101.4WB)	ENC,EN0=2.5L 4 cyl. Turbo Die	DDD, DDQ=5 spd. Man.
S=Limited	U=RHD (4WD)	72=2 Dr.(101.4WB)	ERH,ER0=4.0L Power Tech I-6	DGS=4 spd. Auto. AISIN
H=Sport	T=LHD (2WD)		EPE,EP0=Magnum 2.5L SMPI	DG0=All Auto/Trans.
L=SE	B=RHD (2WD)			DBB=All Manual Trans.

AR = Use as required - = Non illustrated part # = New this model year

April 5, 2002

## Radiator and Related Parts, 2.5L Gas Engine Figure 007-130

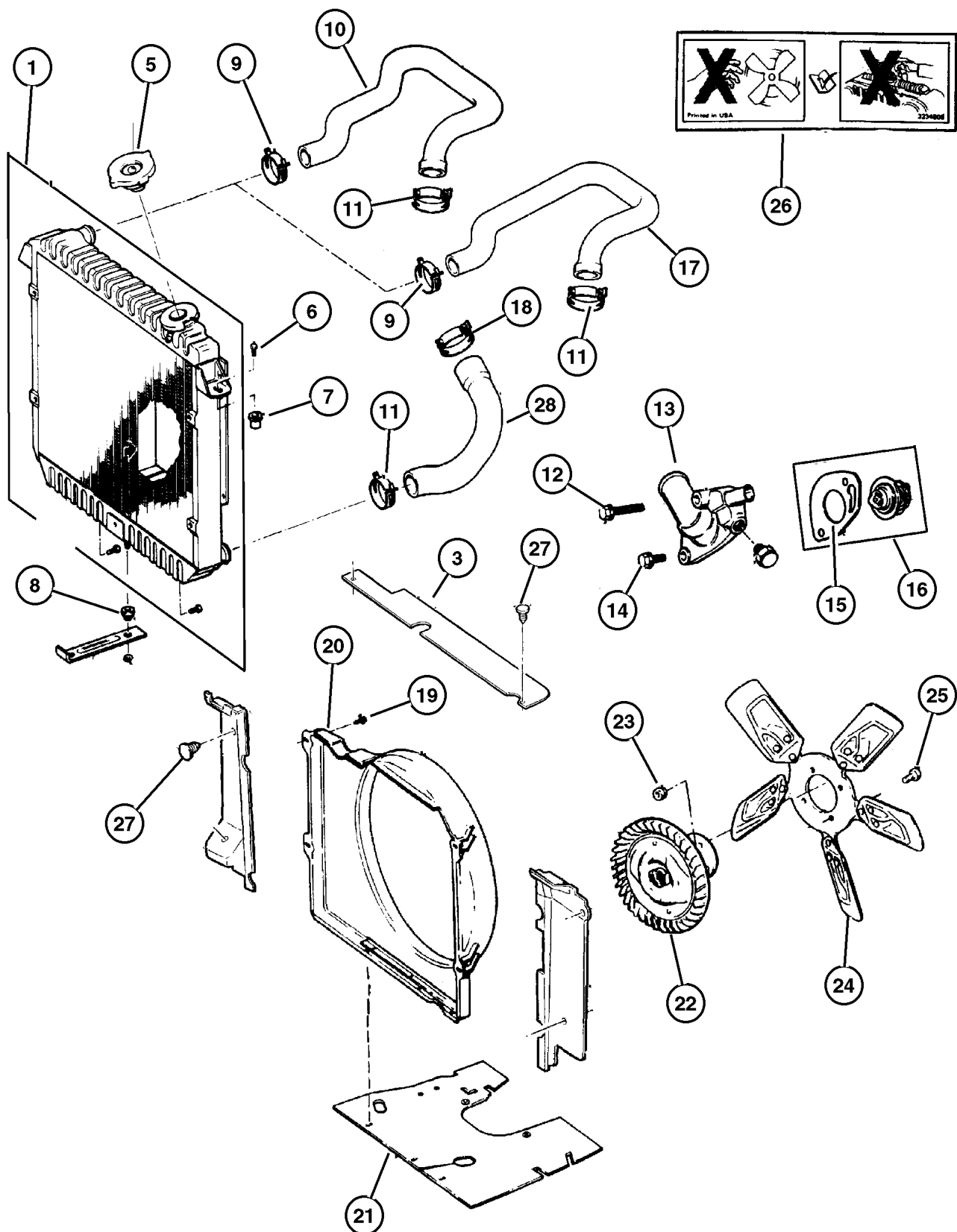
ITEM	PART NUMBER	QTY	LINE	ENGINE	TRANS	DESCRIPTION
Note: Sales Code EP0 = 2.5L Gas Engine manual, 12 Disc Magazine.						
manual, 12 Disc Magazine.						
Note: Sales Code DGB = Manual Trans manual, 12 Disc Magazine.						
Note: Sales Code DG0 = All Auto Trans manual, 12 Disc Magazine.						
Note: Sales Code EP0 = 2.5L Gas Engine manual, 12 Disc Magazine.						
1						RADIATOR, Engine Cooling
	52079 682AE	1	J, T	ER0	DG0	
	52079 693AD	1		EP0	DBB	
	52079 682AE	1	J, T	EP0	DG0	Without [ABD]
-2	52028 516AE	1	J, T	EP0, ER0	DG0	COOLER, Auxiliary Oil
3						SEAL, Radiator Crossmember, (NOT REQUIRED)
-4	55235 830AA	1		EN0, EP0,	ER0	CROSSMEMBER, Radiator
5						CAP, Radiator
	52079 880AA	1		EP0	DBB	
		1	J, T	EP0	DG0	
6	1150 2628	2			DGD	BOLT, Hex Flange Head, M8x1.25x30
7						NUT, Well, (NOT SERVICED)
8	J068 7550	2		EN0, EP0,	ER0	GROMMET, Radiator
9	3200 2983	1		EP0, ER0		CLAMP, Hose, 32mm Black
10	52003 789AB	1		EP0		HOSE, Thermostat Outlet
11	5200 5580	1		EP0, ER0		CLAMP, Hose to Radiator
12	6034 927	1		EP0, ER0		SCREW AND WASHER, Hex Head, .312-18x.970
13	5300 6192	1		EP0, ER0		HOUSING, Thermostat
14	6034 927	1		EP0, ER0		SCREW AND WASHER, Hex Head, .312-18x.970
15	53020 547AB	1		EP0, ER0		GASKET, Thermostat
16	5202 8186	1		EP0, ER0		THERMOSTAT, 195 Degrees
17	52003 789AB	1		EP0		HOSE, Thermostat Outlet
18	3200 2366	1		EP0, ER0		CLAMP, Hose, 55mm Black
19	0154 552	3		EP0, ER0		SCREW, Hex Head, .190-16x.625
20	52079 634AB	1		EP0		SHROUD, Fan

### JEEP CHEROKEE (XJ)

SERIES	LINE	BODY	ENGINE	TRANSMISSION
P=Classic	J=LHD (4WD)	74=4 Dr.(101.4WB)	ENC,EN0=2.5L 4 cyl. Turbo Die	DDD, DDQ=5 spd. Man.
S=Limited	U=RHD (4WD)	72=2 Dr.(101.4WB)	ERH,ER0=4.0L Power Tech I-6	DGS=4 spd. Auto. AISIN
H=Sport	T=LHD (2WD)		EPE,EP0=Magnum 2.5L SMPI	DG0=All Auto/Trans.
L=SE	B=RHD (2WD)			DBB=All Manual Trans.

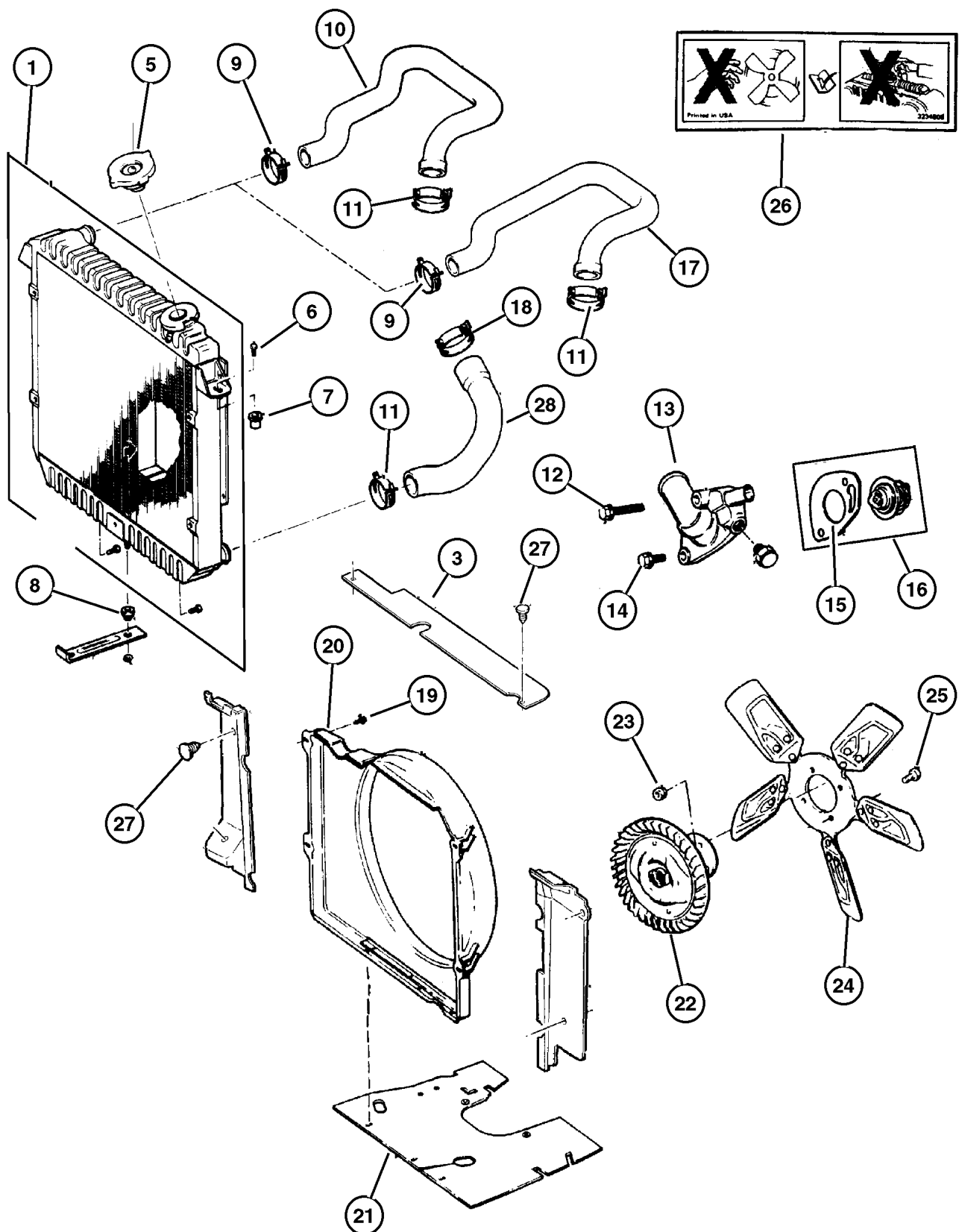
AR = Use as required - = Non illustrated part # = New this model year

April 5, 2002



**Radiator and Related Parts, 2.5L Gas Engine**  
**Figure 007-130**

ITEM	PART NUMBER	QTY	LINE	ENGINE	TRANS	DESCRIPTION
21	5517 4736	1		EP0, ER0		SHIELD, Engine
22	5207 9684 #52028 428AB	1 1		EP0 EP0		VISCOUS CLUTCH, Fan Drive w/Air Conditioning w/o Air Conditioning
23	0154 591	4		EP0, ER0		NUT AND WASHER, Hex, .312-18
	6035 051	2		EP0	DGD	
24	5202 8331	1		EP0		FAN, Cooling
25	6034 860	4		EP0, ER0		BOLT AND WASHER, Implement Attaching
26	J323 4806	1		ENC, EP0		LABEL, Fan Caution
27	6030 441	14				PIN, Retainer
28	52003 790AE	1		EP0		HOSE, Radiator To Pump
-29	52079 661AB	1		EP0		FAN MODULE, Radiator Cooling
-30	5202 8466	1 1	J, T	EP0 EP0	DG0 DBB	DRAINCOCK, Radiator



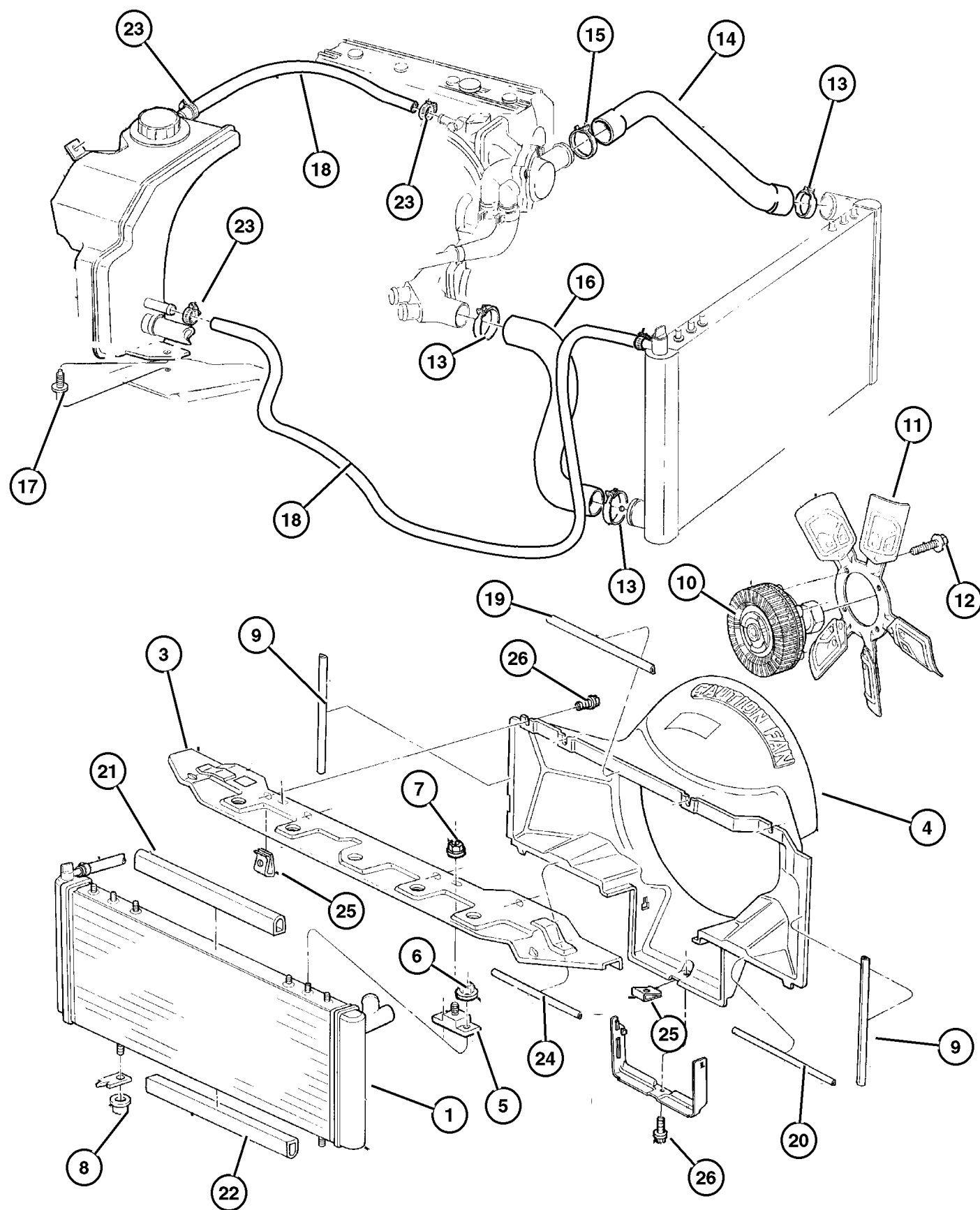
<b>JEEP CHEROKEE (XJ)</b>				
SERIES	LINE	BODY	ENGINE	TRANSMISSION
P=Classic	J=LHD (4WD)	74=4 Dr.(101.4WB)	ENC,EN0=2.5L 4 cyl. Turbo Die	DDD, DDQ=5 spd. Man.
S=Limited	U=RHD (4WD)	72=2 Dr.(101.4WB)	ERH,ER0=4.0L Power Tech I-6	DGS=4 spd. Auto. AISIN
H=Sport	T=LHD (2WD)		EPE,EP0=Magnum 2.5L SMPI	DG0=All Auto/Trans.
L=SE	B=RHD (2WD)			DBB=All Manual Trans.

AR = Use as required - = Non illustrated part # = New this model year

April 5, 2002



## Radiator and Related Parts, 2.5L Diesel Engine Figure 007-145



ITEM	PART NUMBER	QTY	LINE	ENGINE	TRANS	DESCRIPTION
Note: Sales Code EN0 = 2.5L Diesel Engine manual, 12 Disc Magazine.						
1	5202 9100	1		EN0		RADIATOR, Engine Cooling
-2	5202 8256	1		EN0	DD0	CAP, Radiator
3	55235 830AA	1		EN0, EP0,	ER0	CROSSMEMBER, Radiator
4	52079 624AB	1		EN0		SHROUD, Fan
5	5200 2585	2		EN0, EP0,	ER0	ISOLATOR, Radiator
6	1150 2722	4		EN0, EP0,	ER0	NUT, Hex Flange, M5x.8
7	1150 3745	2		EN0, EP0,	ER0	NUT, Hex, M6x1
8	J068 7550	2		EN0, EP0,	ER0	GROMMET, Radiator
9	5202 8230	2		EN0		SEAL, Radiator Shroud
10	52028 370AC	1		EN0		DRIVE, Fan
11	5202 8200	1		EN0		FAN, Cooling
12	6034 860	4		EN0		BOLT AND WASHER, Implement Attaching
13						CLAMP, Radiator, 55mm Silver, (NOT SERVICED)
14	5207 9690	1		EN0		HOSE, Radiator Inlet
15	3200 2983	1		EN0		CLAMP, Hose, 32mm Black
16	52028 407AC	1		EN0		HOSE, Radiator Outlet
17	6032 824	1		EN0		BOLT, Hex Flange Head, .25-14x.625
18	5207 9457	1		EN0		HOSE, Coolant Recovery Bottle
19	5202 8234	1		EN0		SEAL, Radiator Shroud, Upper
20	5202 8216	1		EN0		SEAL, Radiator Shroud, Lower
21	5202 8238	1		EN0		SEAL, Crossmember
22	5202 8237	1		EN0		SEAL, Crossmember
23	6502 081	1		EN0		CLAMP, Oil Cooler Line
24	5202 8223	1		EN0		SEAL, Radiator Shroud
25	6503 998	5		EN0		NUT, U Multi Thread, M5 x .80
26	4886 243AA	1		EN0		SCREW
-27	52079 626AC	1		EN0		FAN MODULE, Radiator Cooling

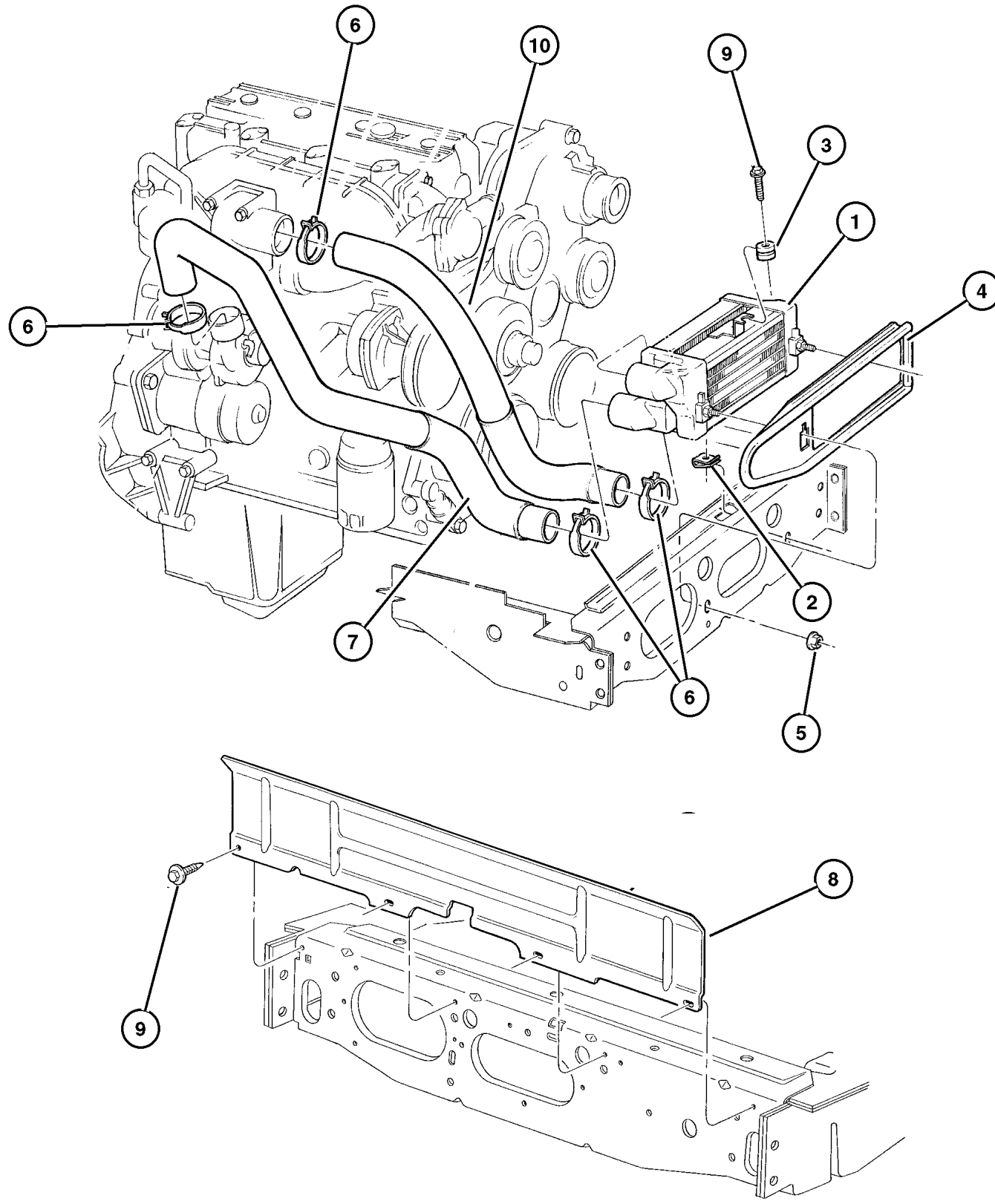
### JEEP CHEROKEE (XJ)

SERIES	LINE	BODY	ENGINE	TRANSMISSION
P=Classic	J=LHD (4WD)	74=4 Dr.(101.4WB)	ENC,EN0=2.5L 4 cyl. Turbo Die	DDD, DDQ=5 spd. Man.
S=Limited	U=RHD (4WD)	72=2 Dr.(101.4WB)	ERH,ER0=4.0L Power Tech I-6	DGS=4 spd. Auto. AISIN
H=Sport	T=LHD (2WD)		EPE,EP0=Magnum 2.5L SMPI	DG0=All Auto/Trans.
L=SE	B=RHD (2WD)			DBB=All Manual Trans.

AR = Use as required - = Non illustrated part # = New this model year

April 5, 2002

## Charge Air Cooler, 2.5L Diesel Engine Figure 007-147



ITEM	PART NUMBER	QTY	LINE	ENGINE	TRANS	DESCRIPTION
Note: Sales Code EN0 = 2.5L Diesel Engine manual, 12 Disc Magazine.						
1	5202 8089	1		EN0		COOLER, Engine Oil
2	6101 442	1		EN0		U-NUT, M6 x 1.00, M6x1.00
3	5202 8236	1		EN0		ISOLATOR
4	5202 8235	1		EN0		SEAL, Cooler
5	3420 1358	2				NUT AND WASHER, Hex Nut-Sealing Washer, M6 x 1.00
6	5202 8008	2		EN0		CLAMP, Hose, 64mm
7	5207 9581	1		EN0		HOSE, Charge Air Cooler
8	5202 8374	1		EN0		DEFLECTOR, Air
9						SCREW, (NOT SERVICED)
10	5207 9496	1		EN0		HOSE, Charge Air Cooler

JEEP CHEROKEE (XJ)				
SERIES	LINE	BODY	ENGINE	TRANSMISSION
P=Classic	J=LHD (4WD)	74=4 Dr.(101.4WB)	ENC,EN0=2.5L 4 cyl. Turbo Die	DDD, DDQ=5 spd. Man.
S=Limited	U=RHD (4WD)	72=2 Dr.(101.4WB)	ERH,ER0=4.0L Power Tech I-6	DGS=4 spd. Auto. AISIN
H=Sport	T=LHD (2WD)		EPE,EP0=Magnum 2.5L SMPI	DG0=All Auto/Trans.
L=SE	B=RHD (2WD)			DBB=All Manual Trans.

AR = Use as required - = Non illustrated part # = New this model year

April 5, 2002

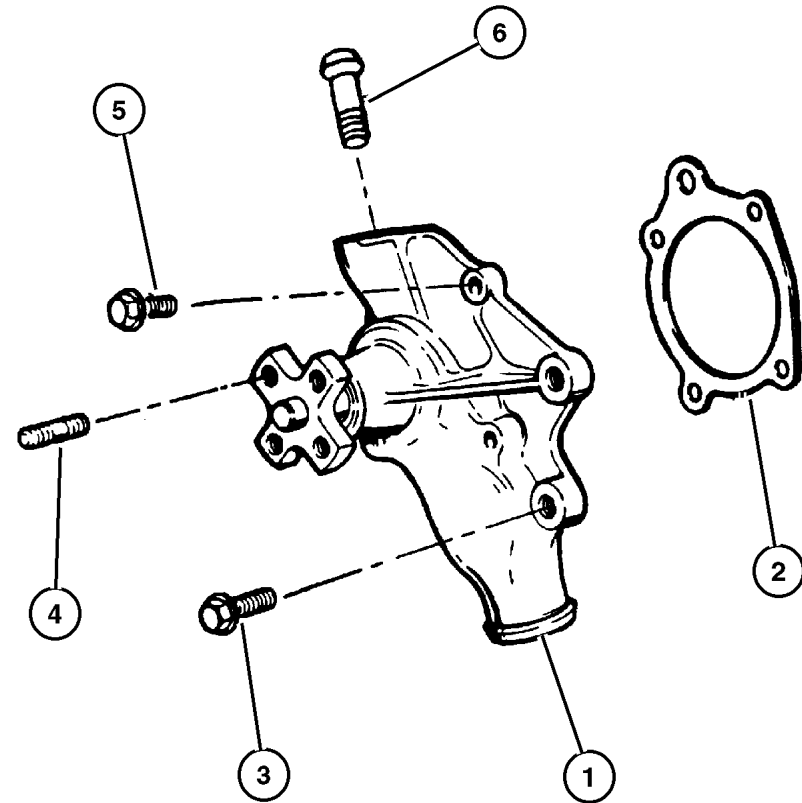
**Water Pump and Related Parts, 2.5,4.0L Gas Engines**  
**Figure 007-210**

ITEM	PART NUMBER	QTY	LINE	ENGINE	TRANS	DESCRIPTION
------	-------------	-----	------	--------	-------	-------------

Note: Sales Code EP0 = 2.5L Gas Engine manual, 12 Disc Magazine.

Note: Sales Code ER0 = 4.0L Engine manual, 12 Disc Magazine.

1	4626 054AD	1		EP0		PUMP PACKAGE, Water
	4626 215AD	1		ER0		
2	5301 0419	1		EP0, ER0		GASKET, Water Pump
3						SCREW AND WASHER, Hex Head, .312-18x1.75, (NOT SERVICED)
4	J400 6714	4		EP0		STUD, .312-18/.312-24x1.250
		4		ER0		
5						SCREW AND WASHER, Hex Head, .312-18x1.12, (NOT SERVICED)
6	5300 7978	1		EP0, ER0		TUBE, Water Pump Heater Return



**JEEP CHEROKEE (XJ)**

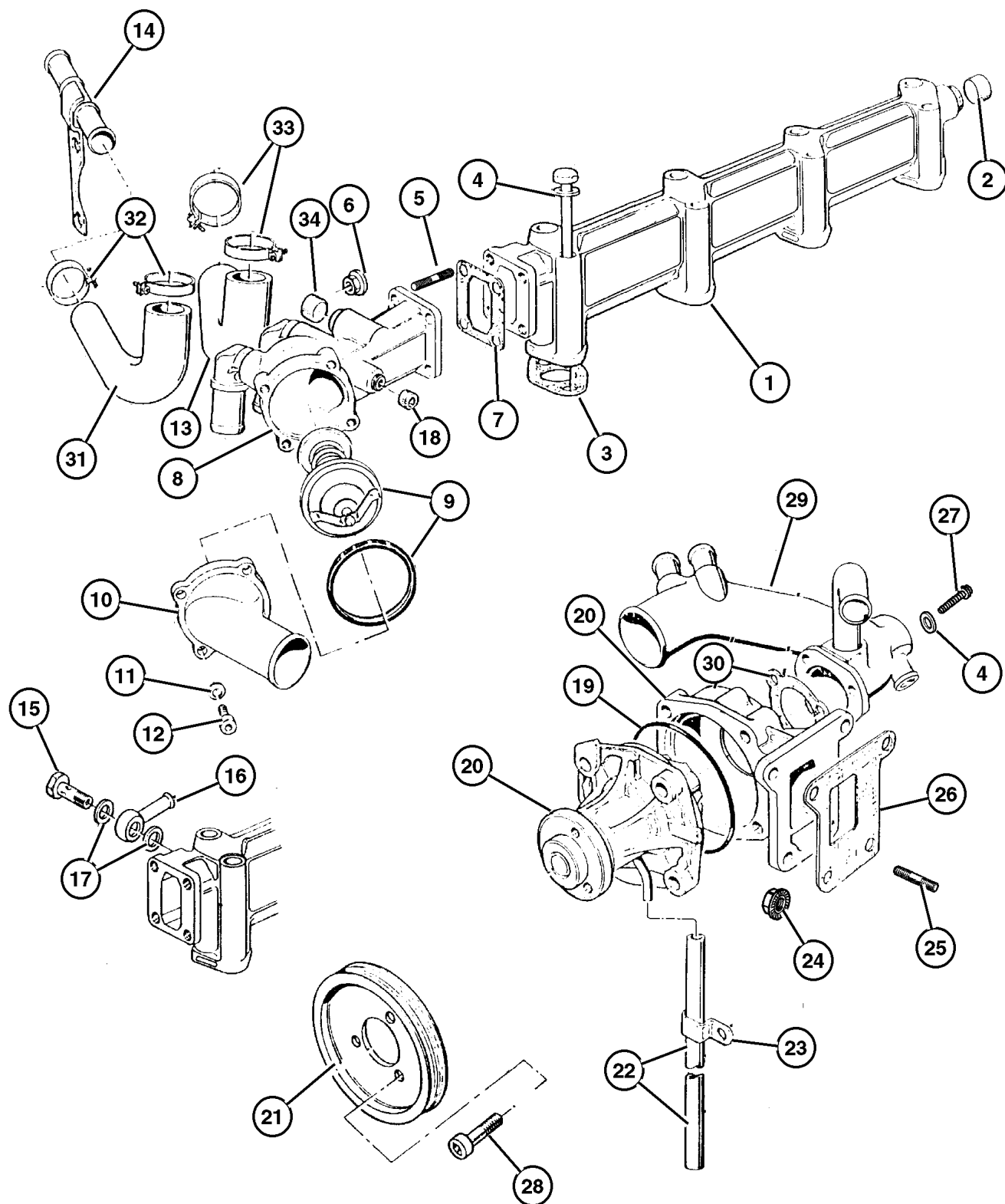
SERIES	LINE	BODY	ENGINE	TRANSMISSION
P=Classic	J=LHD (4WD)	74=4 Dr.(101.4WB)	ENC,EN0=2.5L 4 cyl. Turbo Die	DDD, DDQ=5 spd. Man.
S=Limited	U=RHD (4WD)	72=2 Dr.(101.4WB)	ERH,ER0=4.0L Power Tech I-6	DGS=4 spd. Auto. AISIN
H=Sport	T=LHD (2WD)		EPE,EP0=Magnum 2.5L SMPI	DG0=All Auto/Trans.
L=SE	B=RHD (2WD)			DBB=All Manual Trans.

AR = Use as required - = Non illustrated part # = New this model year

April 5, 2002

## Water Pump and Water Manifold, 2.5L Diesel Engine Figure 007-215

ITEM	PART NUMBER	QTY	LINE	ENGINE	TRANS	DESCRIPTION
Note: Sales Code EN0 = 2.5L Diesel Engine manual, 12 Disc Magazine.						
1	4797 748	1		EN0		MANIFOLD, Water
2	4864 753	1		EN0		PLUG
3	4720 450	4		EN0		GASKET, Water Manifold
4	4720 305	2		EN0		WASHER, Plain
5	4797 764	4		EN0		STUD, M6x14
6	4778 936	4		EN0		NUT, Suction Pipe Attaching
7	4778 971	1		EN0		GASKET, Thermostat
8	4778 974AB	1		EN0		HOUSING, Thermostat
9	4778 975	1		EN0		THERMOSTAT
10	4778 976	1		EN0		COVER, Thermostat Housing
11	4720 305	2		EN0		WASHER, Plain
12	4720 658	4		EN0		SCREW, Intake Manifold Elbow
13	4778 977	1		EN0		HOSE, Water Pump Bypass
14	4778 980	1		EN0		TUBE, Heater Feed
15	4720 358	5		EN0		BOLT, Banjo
16	4797 755	1		EN0		BANJO, Air Bleed
17	4720 554	10		EN0		WASHER, Banjo
18						PLUG, Water Manifold, (NOT SERVICED)
19	4723 198	1		EN0		O RING, Water Pump
20	4864 566	1		EN0		PUMP, Water
21	4864 567	1		EN0		PULLEY, Water Pump
22	4720 438	1		EN0		PIPE, Water Pump Drain
23	4720 446	1		EN0		CLIP, Drain Pipe
24	4778 961	3		EN0		NUT
25	4720 550	4		EN0		STUD, Water Pump To Block
26	4864 575	1		EN0		GASKET, Water Pump
27						SCREW, Water Pump To Pipe, (NOT SERVICED)
28	5003 554AA	3		EN0		SCREW
29						ADAPTER, Water Return To Pump, (NOT REQUIRED)
30	4864 575	1		EN0		GASKET, Water Pump
31						HOSE, Heater Feed, (NOT REQUIRED)
32	4883 924AA	1		EN0		CLAMP, Heater Hose
33						CLAMP, Heater Hose, (NOT SERVICED)
34						PLUG, Water Manifold, (NOT SERVICED)



### JEEP CHEROKEE (XJ)

SERIES	LINE	BODY	ENGINE	TRANSMISSION
P=Classic	J=LHD (4WD)	74=4 Dr.(101.4WB)	ENC,EN0=2.5L 4 cyl. Turbo Die	DDD, DDQ=5 spd. Man.
S=Limited	U=RHD (4WD)	72=2 Dr.(101.4WB)	ERH,ER0=4.0L Power Tech I-6	DGS=4 spd. Auto. AISIN
H=Sport	T=LHD (2WD)		EPE,EP0=Magnum 2.5L SMPI	DG0=All Auto/Trans.
L=SE	B=RHD (2WD)			DBB=All Manual Trans.

AR = Use as required - = Non illustrated part # = New this model year

April 5, 2002

**Bottle, Coolant Recovery, LHD  
Figure 007-305**

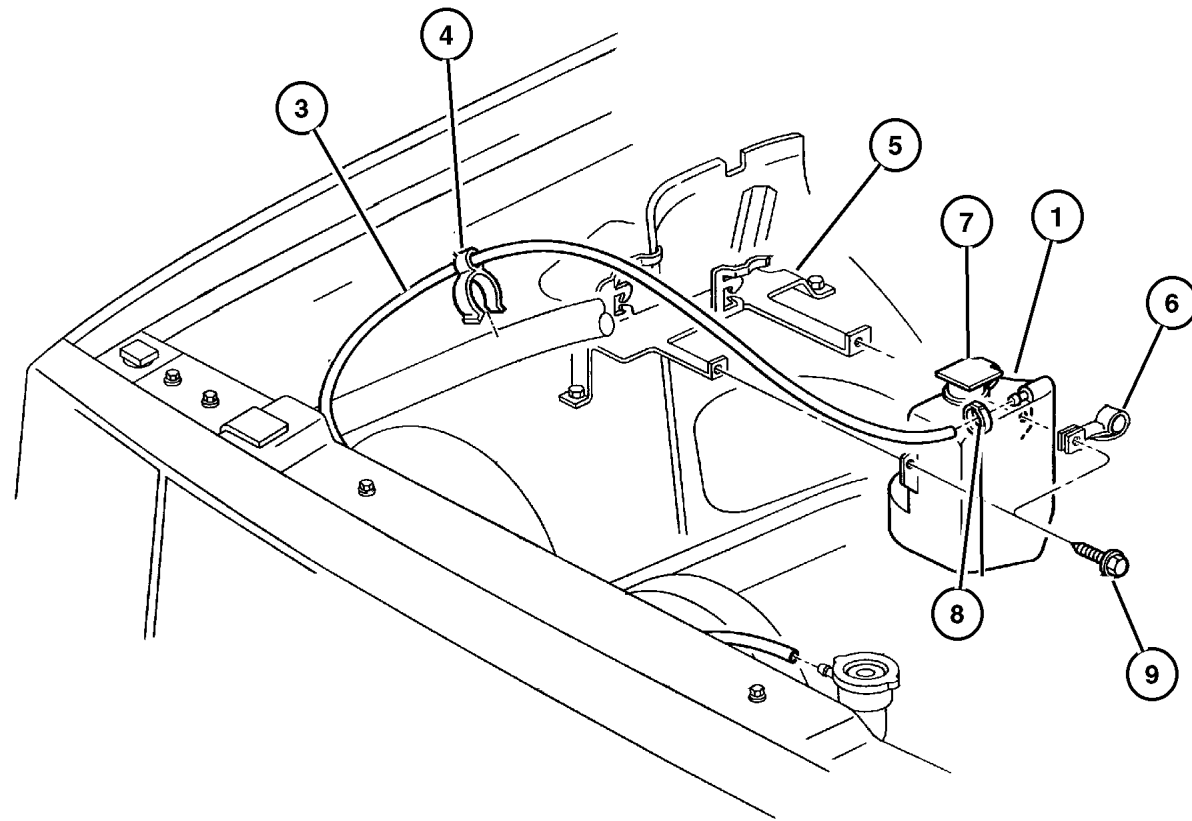
ITEM	PART NUMBER	QTY	LINE	ENGINE	TRANS	DESCRIPTION
------	-------------	-----	------	--------	-------	-------------

Note: Sales Code EN0 = 2.5L Diesel Engine manual, 12 Disc Magazine.

Note: Sales Code EP0 = 2.5L Gas Engine manual, 12 Disc Magazine.

Note: Sales Code ER0 = 4.0L Engine manual, 12 Disc Magazine.

1	5202 7984	1		EP0, ER0		TANK, Coolant Reserve
-2	52079 493AC	1		EN0	DD0	BOTTLE, Degasser
3	4026 148	1	J, T	ER0		HOSE, Coolant Reserve Tank
		1	B, U	ER0		
4						CLIP, Hose
	5200 7404	1		ER0		
	6034 648	2		EP0		
5	5600 8885	1	J, T	EP0, ER0		BRACKET, Power Distribution Center
6						CLIP, Cable
	6025 867	1	J, T	EPE, ER0		
		1	B, U	EPE, ER0		
7	5207 9331	1		EP0, ER0		CAP, Coolant Reserve Tank
8	2448 761	1	J, T	EP0		CLAMP, Hose
9						SCREW, (NOT SERVICED)



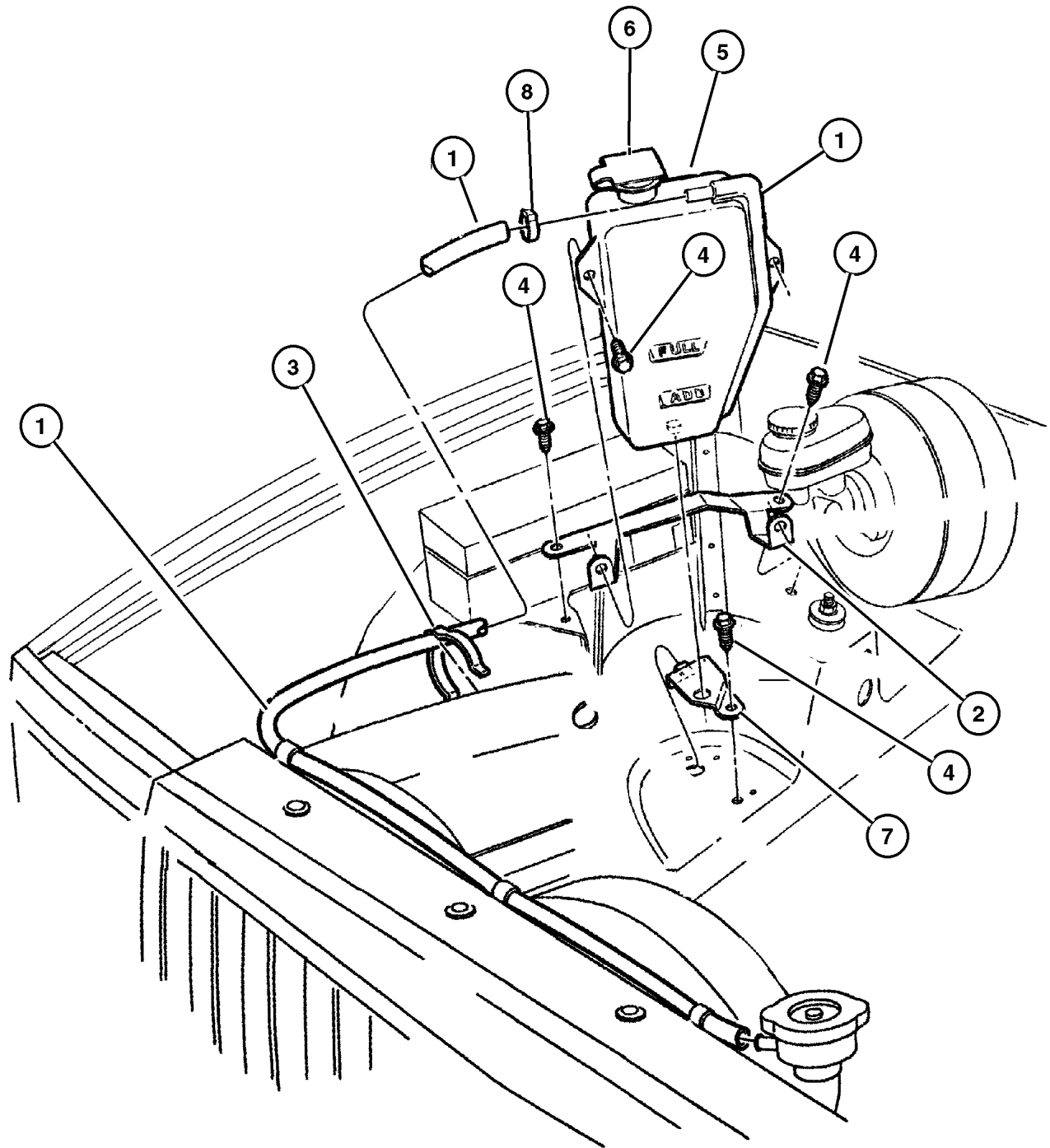
**JEEP CHEROKEE (XJ)**

SERIES	LINE	BODY	ENGINE	TRANSMISSION
P=Classic	J=LHD (4WD)	74=4 Dr.(101.4WB)	ENC,EN0=2.5L 4 cyl. Turbo Die	DDD, DDQ=5 spd. Man.
S=Limited	U=RHD (4WD)	72=2 Dr.(101.4WB)	ERH,ER0=4.0L Power Tech I-6	DGS=4 spd. Auto. AISIN
H=Sport	T=LHD (2WD)		EPE,EP0=Magnum 2.5L SMPI	DG0=All Auto/Trans.
L=SE	B=RHD (2WD)			DBB=All Manual Trans.

AR = Use as required - = Non illustrated part # = New this model year

April 5, 2002

**Bottle, Coolant Recovery, RHD**  
**Figure 007-310**



ITEM	PART NUMBER	QTY	LINE	ENGINE	TRANS	DESCRIPTION
------	-------------	-----	------	--------	-------	-------------

Note: Sales Code EN0 = 2.5L Diesel Engine manual, 12 Disc Magazine.

Note: Sales Code EP0 = 2.5L Gas Engine manual, 12 Disc Magazine.

Note: Sales Code ER0 = 4.0L Engine manual, 12 Disc Magazine.

1	4026 148	1	B, U	ER0		HOSE, Coolant Reserve Tank
2	5202 8346	1	B, U	EP0,		BRACKET, Coolant Recovery Bottle
				ER0		
3	5200 7404	1		ER0		CLIP, Hose
4	6100 557	1	B, U	EPE,		BOLT AND CONED WASHER, Hex Head, M6x20x14
				ER0		
5	5202 7984	1		EP0,		TANK, Coolant Reserve
				ER0		
6	5207 9331	1		EP0,		CAP, Coolant Reserve Tank
				ER0		
7	5202 8347	1	B, U	EP0,		BRACKET, Coolant Recovery Bottle
				ER0		
8	2448 761	2	B, U	EP0		CLAMP, Hose

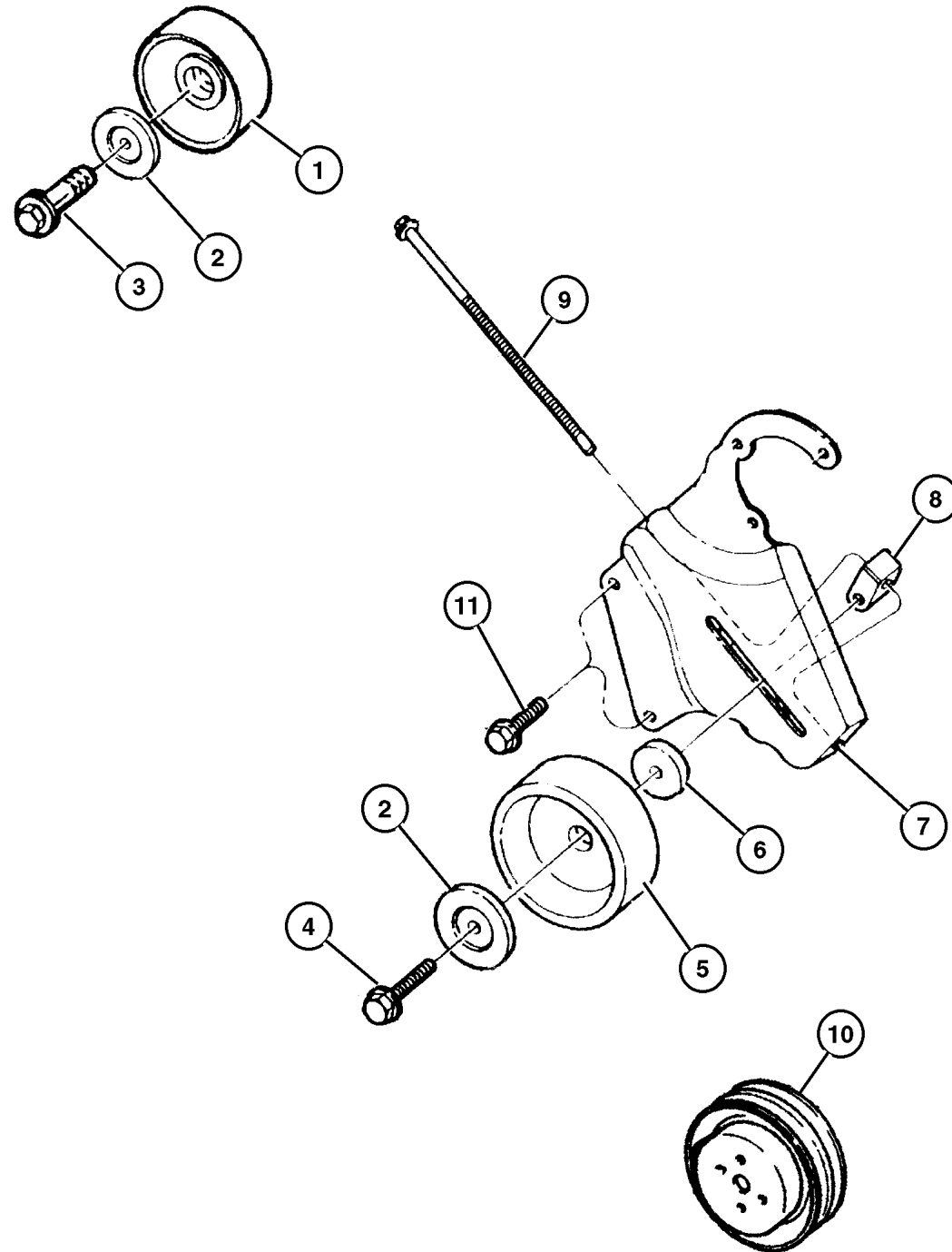
**JEEP CHEROKEE (XJ)**

SERIES	LINE	BODY	ENGINE	TRANSMISSION
P=Classic	J=LHD (4WD)	74=4 Dr.(101.4WB)	ENC,EN0=2.5L 4 cyl. Turbo Die	DDD, DDQ=5 spd. Man.
S=Limited	U=RHD (4WD)	72=2 Dr.(101.4WB)	ERH,ER0=4.0L Power Tech I-6	DGS=4 spd. Auto. AISIN
H=Sport	T=LHD (2WD)		EPE,EP0=Magnum 2.5L SMPI	DG0=All Auto/Trans.
L=SE	B=RHD (2WD)			DBB=All Manual Trans.

AR = Use as required - = Non illustrated part # = New this model year

April 5, 2002

**Drive Pulleys, 2.5L Gas Engine  
Figure 007-407**



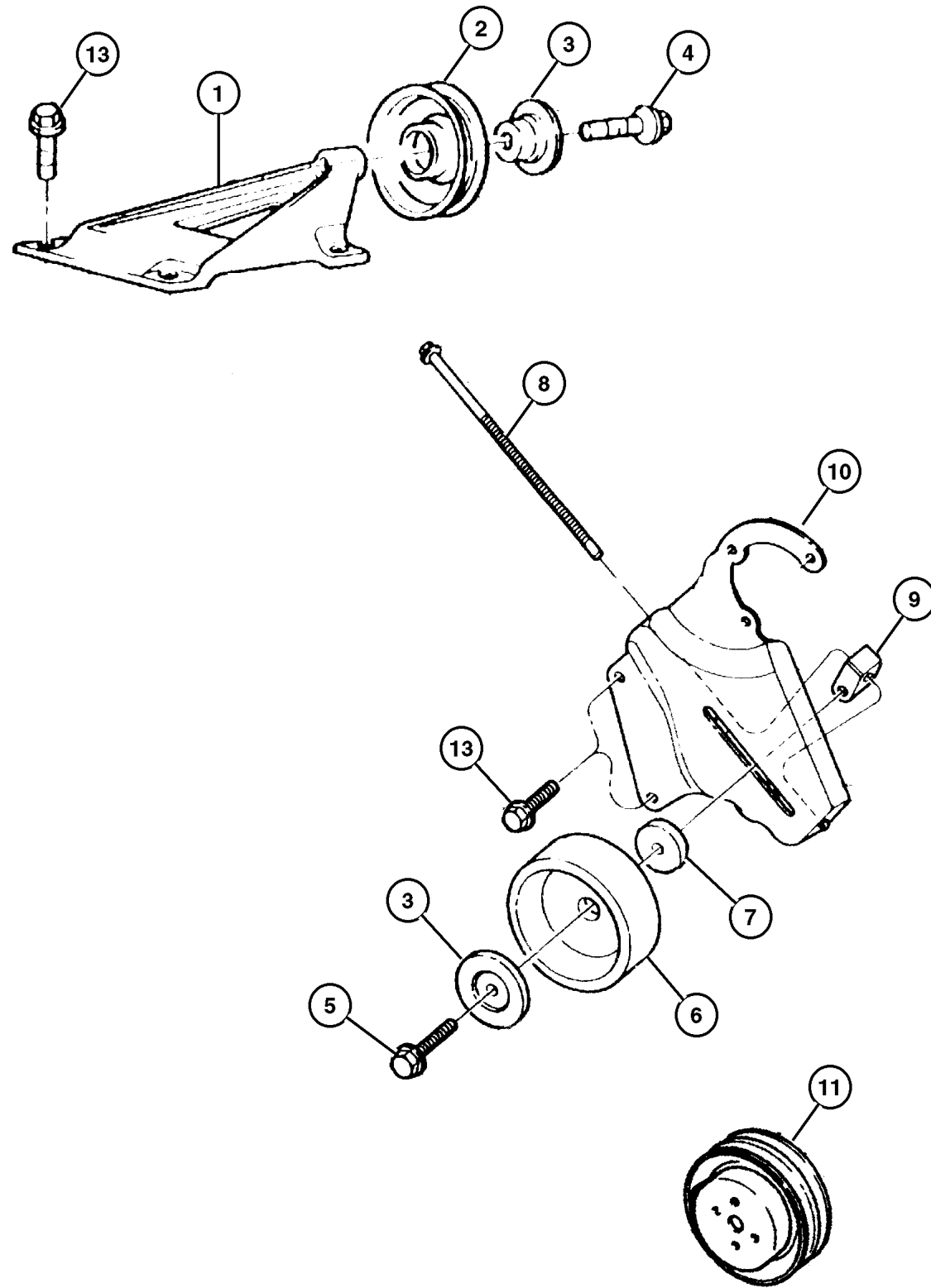
ITEM	PART NUMBER	QTY	LINE	ENGINE	TRANS	DESCRIPTION
Note: Sales Code EP0 = 2.5L Gas Engine manual, 12 Disc Magazine.						
1	5301 0230	1		EP0		PULLEY, Idler
2	3300 2201	1		EP0		BUSHING, Idler Pulley
3	6504 239	1		EP0		SCREW AND WASHER, M10x1.5x40
4	3420 2029	1		EP0		BOLT, Hex Flange Head, M10x1.50x50
5						PULLEY, Idler
	4792 112	1	B, U	EP0		
		1	J, T	EP0, ER0		
6						SPACER, Belt Tensioner
	6503 230	1	B, U	EP0		
		1	J, T	EP0, ER0		
7	5301 0148	1		EP0		BRACKET, Tensioner
8	5301 0149	1		EP0		COLLAR, Tensioner Adjustment
9	6503 198	1		EP0		BOLT
10						PULLEY, Water Pump
	5300 7154	1	J, T	EP0		
		1	B, U	EP0		
11						SCREW, (NOT SERVICED)

JEEP CHEROKEE (XJ)				
SERIES	LINE	BODY	ENGINE	TRANSMISSION
P=Classic	J=LHD (4WD)	74=4 Dr.(101.4WB)	ENC,EN0=2.5L 4 cyl. Turbo Die	DDD, DDQ=5 spd. Man.
S=Limited	U=RHD (4WD)	72=2 Dr.(101.4WB)	ERH,ER0=4.0L Power Tech I-6	DGS=4 spd. Auto. AISIN
H=Sport	T=LHD (2WD)		EPE,EP0=Magnum 2.5L SMPI	DG0=All Auto/Trans.
L=SE	B=RHD (2WD)			DBB=All Manual Trans.

AR = Use as required - = Non illustrated part # = New this model year

April 5, 2002

Drive Pulleys, 4.0L Engine, LHD  
Figure 007-408



ITEM	PART NUMBER	QTY	LINE	ENGINE	TRANS	DESCRIPTION
Note: Sales Code ER0 = 4.0L Engine manual, 12 Disc Magazine.						
1	5300 6551	1	J, T	ER0		BRACKET, Idler Pulley
2	5300 2903	1		ER0		PULLEY, Idler
3	3300 2201	1		EP0		BUSHING, Idler Pulley
4	6504 239	1	J, T	ER0		SCREW AND WASHER, M10x1.5x40
5	3420 2029	1	J, T	ER0		BOLT, Hex Flange Head, M10x1.50x50
6	4792 112	1	J, T	EP0, ER0		PULLEY, Idler
7	6503 230	1	J, T	EP0, ER0		SPACER, Belt Tensioner
8	6503 198	1	J, T	ER0		BOLT
9	5301 0149	1	J, T	ER0		COLLAR, Tensioner Adjustment
10	5301 0148	1	J, T	ER0		BRACKET, Tensioner
11	5300 2907	1	J, T	ER0		PULLEY, Water Pump
-12	5301 0309	1	J, T	ER0		PULLEY, Fan
13						SCREW, (NOT SERVICED)

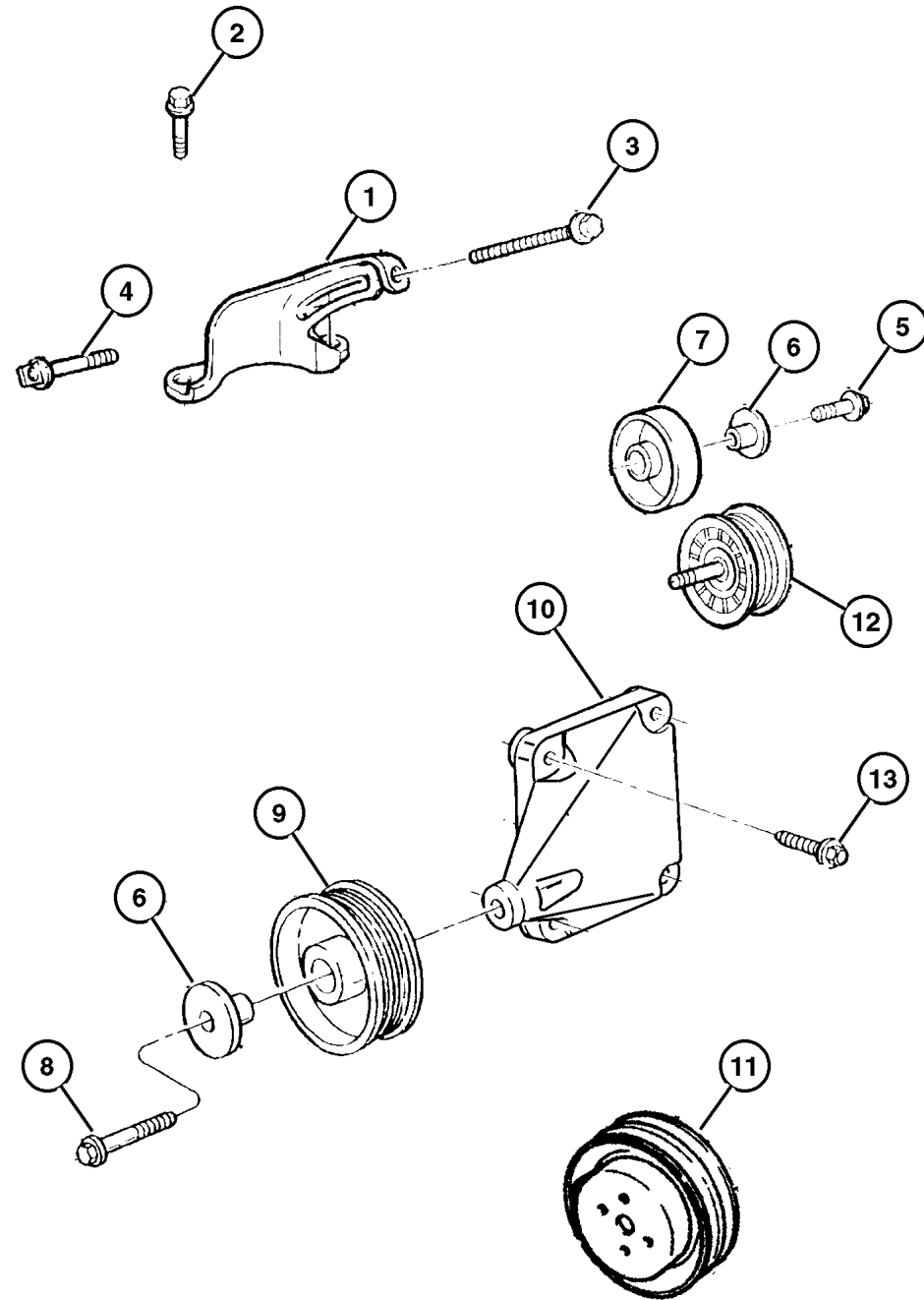
JEEP CHEROKEE (XJ)				
SERIES	LINE	BODY	ENGINE	TRANSMISSION
P=Classic	J=LHD (4WD)	74=4 Dr.(101.4WB)	ENC,EN0=2.5L 4 cyl. Turbo Die	DDD, DDQ=5 spd. Man.
S=Limited	U=RHD (4WD)	72=2 Dr.(101.4WB)	ERH,ER0=4.0L Power Tech I-6	DGS=4 spd. Auto. AISIN
H=Sport	T=LHD (2WD)		EPE,EP0=Magnum 2.5L SMPI	DG0=All Auto/Trans.
L=SE	B=RHD (2WD)			DBB=All Manual Trans.

AR = Use as required - = Non illustrated part # = New this model year

April 5, 2002



Drive Pulleys, 4.0L Engine, RHD  
Figure 007-409



ITEM	PART NUMBER	QTY	LINE	ENGINE	TRANS	DESCRIPTION
Note: Sales Code ER0 = 4.0L Engine manual, 12 Disc Magazine.						
1	#53010 190AC	1	B, U	ER0		BRACKET, Tensioner
2	6502 144	2	B, U	ER0		SCREW AND WASHER, Hex Head, M10x1.5x25
3	6502 929	1	B, U	ER0		SCREW AND WASHER, Hex Head, M8x1.25x110
4	6502 592	1	B, U	ER0		SCREW, M8x1.25 Tapped Head, M10x1.5x50
5	6502 137	2	B, U	EP0, ER0		BOLT, Hex Flange Head, M10x1.50x35
6	3300 2201	1	B, U	ER0		BUSHING, Idler Pulley
7	5301 0230	1	B, U	ER0		PULLEY, Idler
8	6034 497	1	B, U	ER0		BOLT AND WASHER, Hex Head, .375-16x2.375
9	5300 2903	1		ER0		PULLEY, Idler
10	5301 0163	1	B, U	ER0		BRACKET, Fan
11	5300 2907	1	B, U	ER0		PULLEY, Water Pump
12	53010 228AB	1	B, U	ER0		PULLEY, Idler
13						SCREW, (NOT SERVICED)

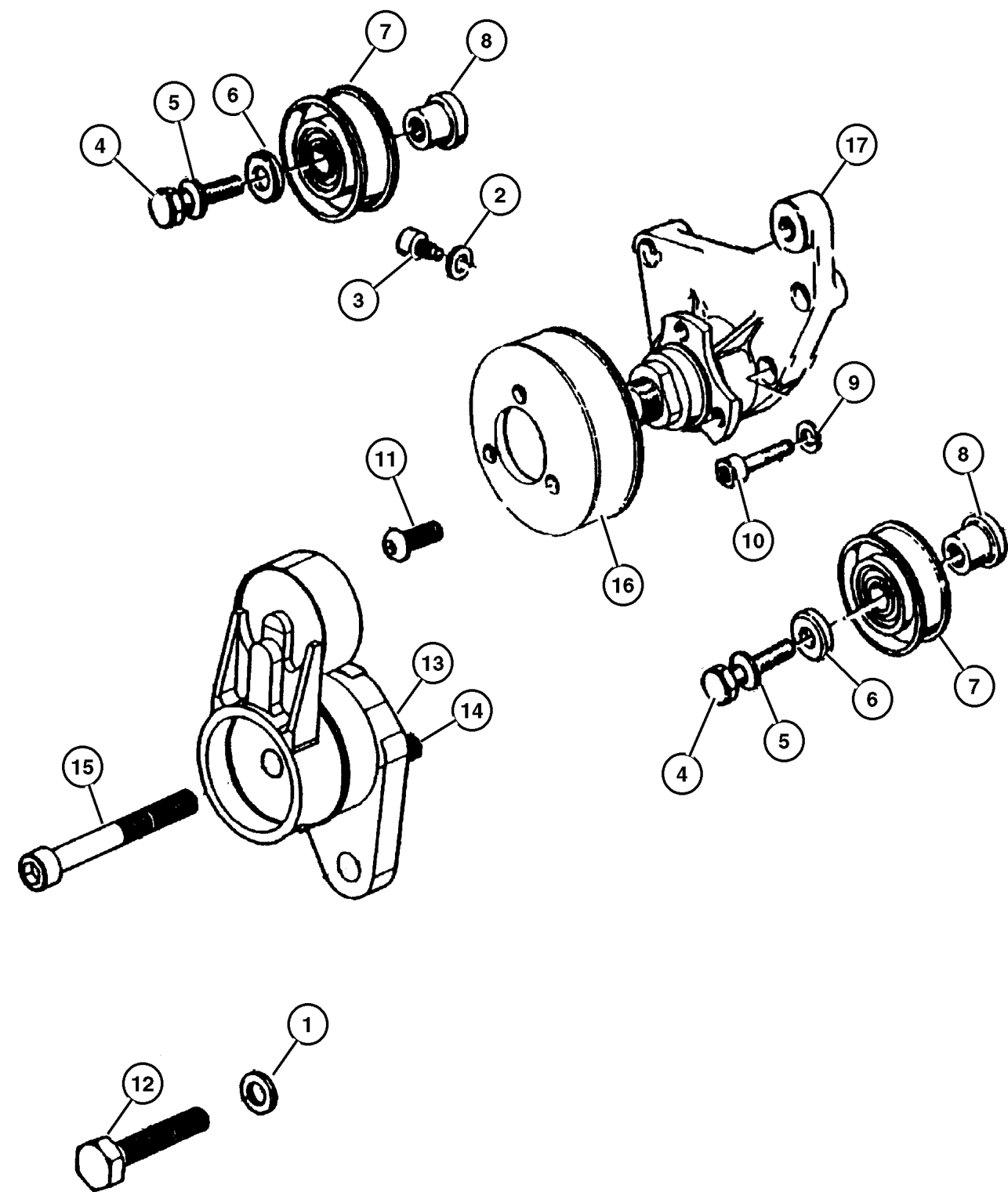
JEEP CHEROKEE (XJ)				
SERIES	LINE	BODY	ENGINE	TRANSMISSION
P=Classic	J=LHD (4WD)	74=4 Dr.(101.4WB)	ENC,EN0=2.5L 4 cyl. Turbo Die	DDD, DDQ=5 spd. Man.
S=Limited	U=RHD (4WD)	72=2 Dr.(101.4WB)	ERH,ER0=4.0L Power Tech I-6	DGS=4 spd. Auto. AISIN
H=Sport	T=LHD (2WD)		EPE,EP0=Magnum 2.5L SMPI	DG0=All Auto/Trans.
L=SE	B=RHD (2WD)			DBB=All Manual Trans.

AR = Use as required - = Non illustrated part # = New this model year

April 5, 2002

Drive Pulleys, 2.5L Diesel Engine  
Figure 007-415

ITEM	PART NUMBER	QTY	LINE	ENGINE	TRANS	DESCRIPTION
Note: Sales Code EN0 = 2.5L Diesel Engine manual, 12 Disc Magazine.						
1	4864 758	2		EN0		WASHER
2	4723 200	1		EN0		WASHER, Flat
3	4796 030	1		EN0		SCREW, Fan Bearing
4						BOLT, Left Hand Thread, M10x50, (NOT SERVICED)
5	4720 243	6		EN0		WASHER, Lock, M10
6						WASHER, Idler Pulley, (NOT SERVICED)
7	5003 567AA	2		EN0		PULLEY, Idler
8						SHAFT, Idler Pulley, (NOT SERVICED)
9	4720 688	4		EN0		WASHER, Flat
10	4797 768	4		EN0		BOLT, Vacuum Pump Bracket, M10x35
11	4863 752	2		EN0		SCREW
12	5003 536AA	1		EN0		BOLT, Belt Tensioner
13	4897 159AB	1		EN0		TENSIONER, Belt
14	4883 528AA	1		EN0		BOLT, Adaptor Plate
15	4886 053AA	1		EN0		BOLT, Belt Tensioner
16	4883 491AA	1		EN0		PULLEY, Fan
17	5003 566AA	1		EN0		BRACKET, Fan

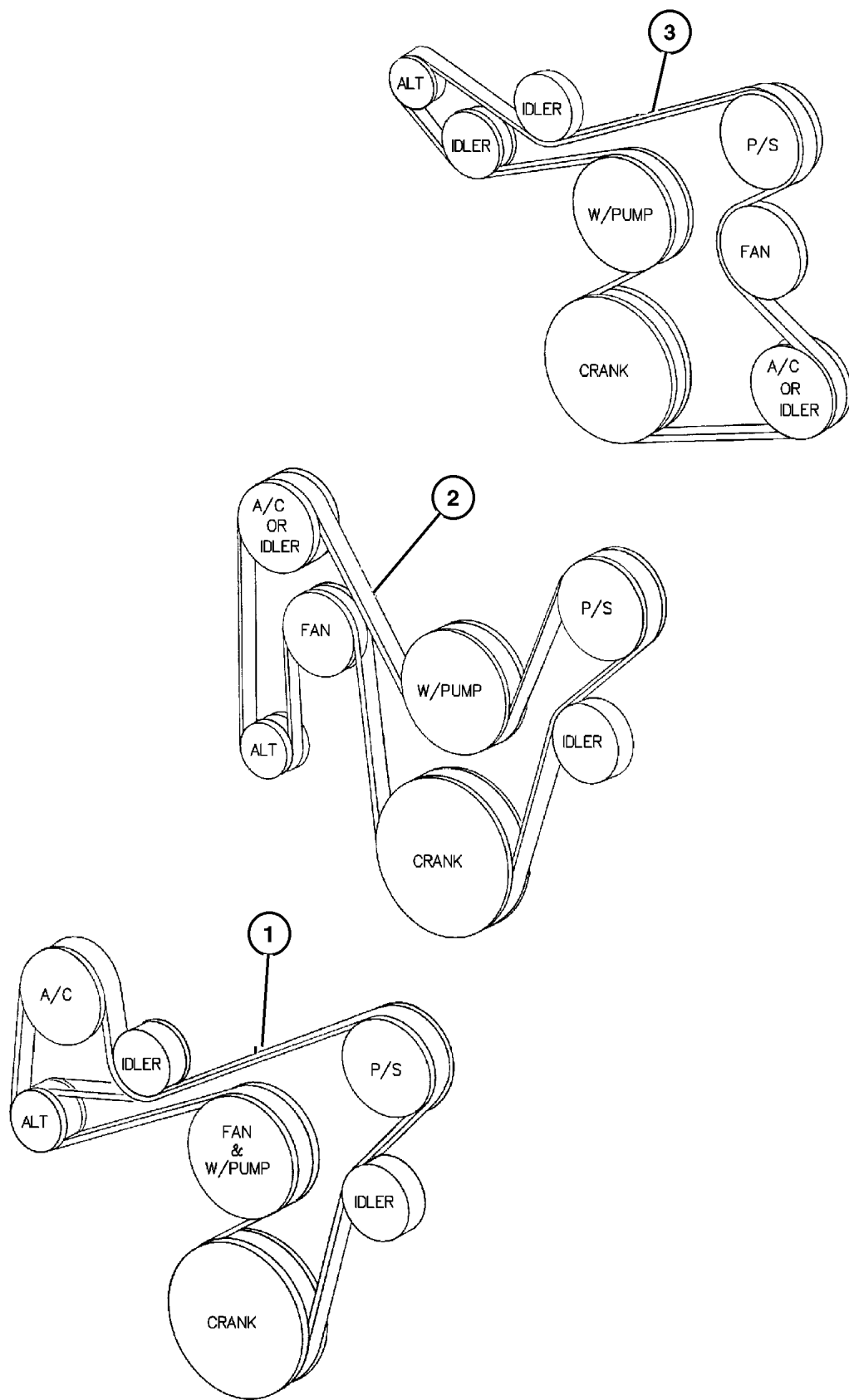


JEEP CHEROKEE (XJ)				
SERIES	LINE	BODY	ENGINE	TRANSMISSION
P=Classic	J=LHD (4WD)	74=4 Dr.(101.4WB)	ENC,EN0=2.5L 4 cyl. Turbo Die	DDD, DDQ=5 spd. Man.
S=Limited	U=RHD (4WD)	72=2 Dr.(101.4WB)	ERH,ER0=4.0L Power Tech I-6	DGS=4 spd. Auto. AISIN
H=Sport	T=LHD (2WD)		EPE,EP0=Magnum 2.5L SMPI	DG0=All Auto/Trans.
L=SE	B=RHD (2WD)			DBB=All Manual Trans.

AR = Use as required - = Non illustrated part # = New this model year

April 5, 2002

# Drive Belts Figure 007-510



ITEM	PART NUMBER	QTY	LINE	ENGINE	TRANS	DESCRIPTION
------	-------------	-----	------	--------	-------	-------------

Note: Sales Code EN0 = 2.5L Diesel Engine manual, 12 Disc Magazine.  
 Note: Sales Code EP0 = 2.5L Gas Engine manual, 12 Disc Magazine.  
 Note: Sales Code ER0 = 4.0L Engine manual, 12 Disc Magazine.

1						BELT, Accessory Drive
	5301 0257	1	J, T	EP0		2.5L Engine, Heater
	5301 0311	1	B, U	EP0		2.5L Engine, Heater
	5301 1035	1	J, T	EP0		2.5L Engine, A/C
	5301 2002	1	B, U	EP0		2.5L Engine, A/C
2	5301 0314	1	J, T	ER0		BELT, Accessory Drive, 4.0L Engine
3	5301 0234	1	B, U	ER0		BELT, Accessory Drive, 4.0L Engine
-4						LABEL, Belt Routing
	5301 0297	1	B, U	ER0		
	5301 0298	1		EP0		
	5301 0299	1	J, T	ER0		
	5304 0078	1		EN0		

JEEP CHEROKEE (XJ)				
SERIES	LINE	BODY	ENGINE	TRANSMISSION
P=Classic	J=LHD (4WD)	74=4 Dr.(101.4WB)	ENC,EN0=2.5L 4 cyl. Turbo Die	DDD, DDQ=5 spd. Man.
S=Limited	U=RHD (4WD)	72=2 Dr.(101.4WB)	ERH,ER0=4.0L Power Tech I-6	DGS=4 spd. Auto. AISIN
H=Sport	T=LHD (2WD)		EPE,EP0=Magnum 2.5L SMPI	DG0=All Auto/Trans.
L=SE	B=RHD (2WD)			DBB=All Manual Trans.

AR = Use as required - = Non illustrated part # = New this model year

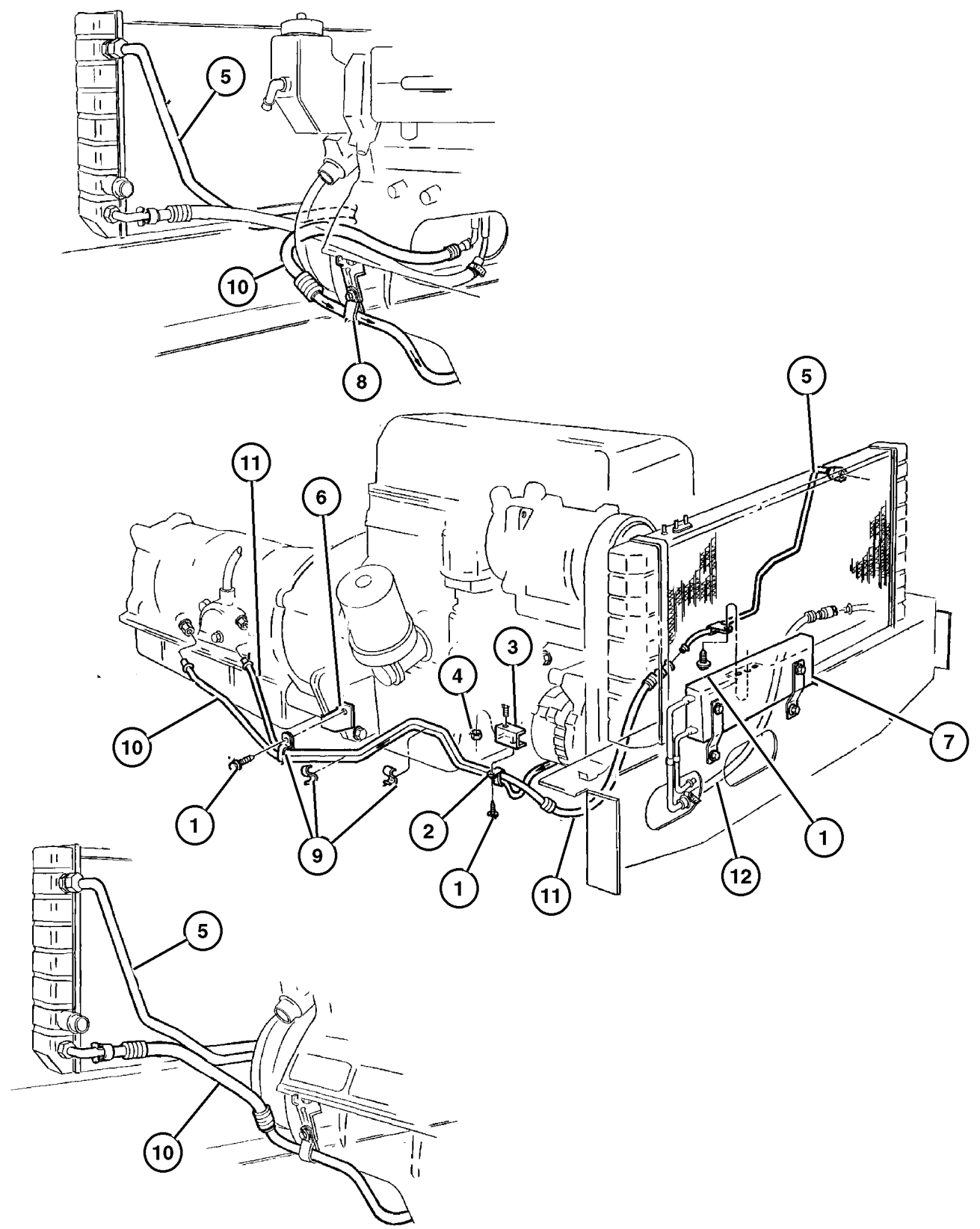
## Oil Cooler Lines, LHD Figure 007-610

ITEM	PART NUMBER	QTY	LINE	ENGINE	TRANS	DESCRIPTION
Note: Sales Code DGB = Manual Trans manual, 12 Disc Magazine.						
Note: Sales Code DGO = All Auto Trans manual, 12 Disc Magazine.						
Note: Sales Code EN0 = 2.5L Diesel Engine manual, 12 Disc Magazine.						
Note: Sales Code EP0 = 2.5L Gas Engine manual, 12 Disc Magazine.						
Note: Sales Code ER0 = 4.0L Engine manual, 12 Disc Magazine.						
1	6035 058	1	J, T	EP0	DG0	SCREW, Hex Flange Head, .19-16x.50
2	3420 2698	1		ER0	DG0	CLIP, Oil Tube
3	5300 4990	1		ER0	DG0	BRACKET, Oil Cooler Tube
4						NUT AND WASHER, Hex Nut-Coned Washer, .25-20
	6033 560	1		EP0		
		2		ER0		
5	5202 8328	1	J, T	ER0	DG0	TUBE, Supply
6	5300 4631	1		ER0	DG0	BRACKET, Oil Cooler Tube
7	52028 517AC	1	B, U	ER0		COOLER, Transmission Oil
8	3420 2697	2	J, T	ER0	DG0	CLIP, Oil Cooler Tube
9						CLIP, (NOT SERVICED)
10						TUBE AND HOSE, Return
	52028 566AD	1	J, T	ER0	DG0	
	52118 569AE	1	J, T	EP0	DGD	
11						TUBE AND HOSE, Supply
	52028 504AF	1	J, T	EP0	DGD	
	52028 605AD	1	J, T	ER0	DG0	
12	5003 096AC	1	J, T	EP0, ER0	DG0	HOSE AND CONNECTOR, Oil Cooler

JEEP CHEROKEE (XJ)				
SERIES	LINE	BODY	ENGINE	TRANSMISSION
P=Classic	J=LHD (4WD)	74=4 Dr.(101.4WB)	ENC,EN0=2.5L 4 cyl. Turbo Die	DDD, DDQ=5 spd. Man.
S=Limited	U=RHD (4WD)	72=2 Dr.(101.4WB)	ERH,ER0=4.0L Power Tech I-6	DGS=4 spd. Auto. AISIN
H=Sport	T=LHD (2WD)		EPE,EP0=Magnum 2.5L SMPI	DG0=All Auto/Trans.
L=SE	B=RHD (2WD)			DBB=All Manual Trans.

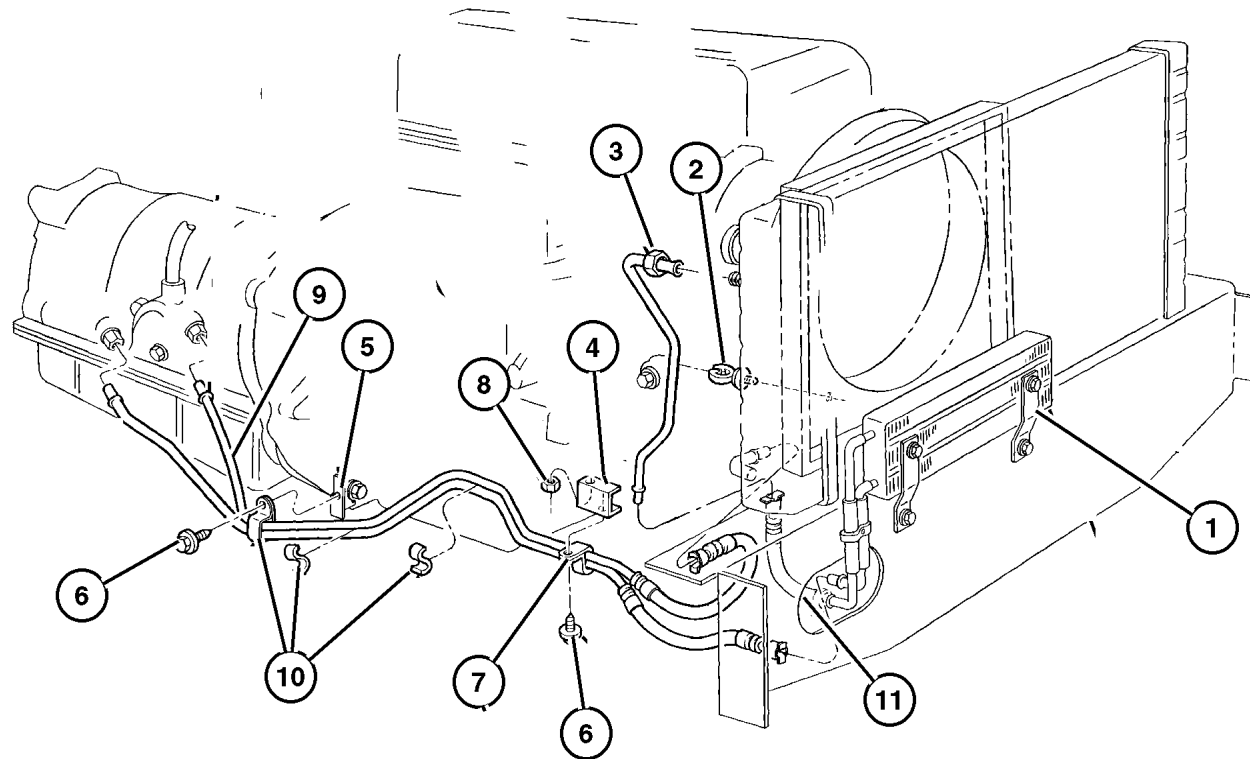
AR = Use as required - = Non illustrated part # = New this model year

April 5, 2002



## Oil Cooler Lines, RHD Figure 007-620

ITEM	PART NUMBER	QTY	LINE	ENGINE	TRANS	DESCRIPTION
Note: Sales Code DGB = Manual Trans manual, 12 Disc Magazine.						
Note: Sales Code DG0 = All Auto Trans manual, 12 Disc Magazine.						
Note: Sales Code EN0 = 2.5L Diesel Engine manual, 12 Disc Magazine.						
Note: Sales Code EP0 = 2.5L Gas Engine manual, 12 Disc Magazine.						
Note: Sales Code ER0 = 4.0L Engine manual, 12 Disc Magazine.						
1	52028 517AC	1	B, U	ER0		COOLER, Transmission Oil
2	3200 0404	3	B, U			CLIP, Tube
3	5202 8310	1	B, U	ER0	DG0	TUBE, Oil Cooler
4	5300 4990	1		ER0	DG0	BRACKET, Oil Cooler Tube
5	5300 4631	1		ER0	DG0	BRACKET, Oil Cooler Tube
6	6035 058	4		ER0	DG0	SCREW, Hex Flange Head, .19-16x.50
7	3420 2698	1		ER0	DG0	CLIP, Oil Tube
8	6033 560	1				NUT AND WASHER, Hex Nut-Coned Washer, .25-20
9	5202 8310	1	B, U	ER0	DG0	TUBE, Oil Cooler
10						CLIP, (NOT SERVICED)
11	5015 643AA	1	B, U	ER0		HOSE AND CONNECTOR, Oil Cooler
-12	52028 567AC	1	B, U	ER0	DG0	TUBE AND HOSE, Return
-13	52028 561AC	1	B, U	ER0	DG0	TUBE AND HOSE, Oil Cooler, Supply



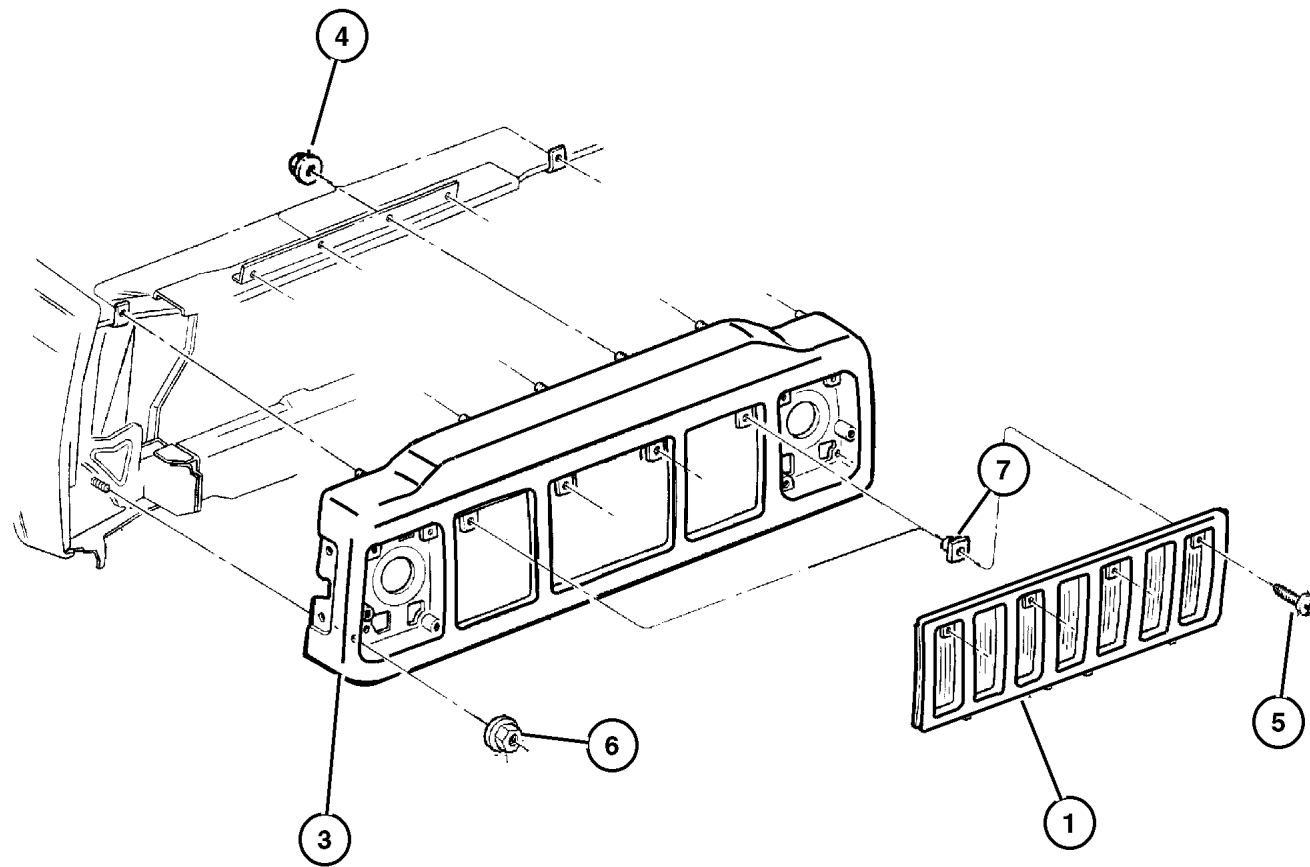
### JEEP CHEROKEE (XJ)

SERIES	LINE	BODY	ENGINE	TRANSMISSION
P=Classic	J=LHD (4WD)	74=4 Dr.(101.4WB)	ENC,EN0=2.5L 4 cyl. Turbo Die	DDD, DDQ=5 spd. Man.
S=Limited	U=RHD (4WD)	72=2 Dr.(101.4WB)	ERH,ER0=4.0L Power Tech I-6	DGS=4 spd. Auto. AISIN
H=Sport	T=LHD (2WD)		EPE,EP0=Magnum 2.5L SMPI	DG0=All Auto/Trans.
L=SE	B=RHD (2WD)			DBB=All Manual Trans.

AR = Use as required - = Non illustrated part # = New this model year

April 5, 2002

**Grille and Related Parts  
Figure 007-710**



ITEM	PART NUMBER	QTY	LINE	ENGINE	TRANS	DESCRIPTION
------	-------------	-----	------	--------	-------	-------------

Note: Sales Code DGB = Manual Trans manual, 12 Disc Magazine.

manual, 12 Disc Magazine.

Note: Sales Code EN0 = 2.5L Diesel Engine manual, 12 Disc Magazine.

Note: Sales Code EP0 = 2.5L Gas Engine manual, 12 Disc Magazine.

Note: Sales Code ER0 = 4.0L Engine manual, 12 Disc Magazine.

1						GRILLE, Radiator
	5505 5150	1				Sport and SE Model
	5EM6 5DX8	1				Black Clear Coat
	5EM6 5PR4	1				Flame Red
	5EM6 5SG8	1				Forest Green
	5EM6 5SW1	1				Stone White
	5EM6 5WTD	1				Desert Sand
	#55156 028AA	1				Chrome/Black
	5EM6 5RJP	1				Fern Green
	5EM6 5WBT	1				Patriot Blue
	5EM6 5WU7	1				Sienna Pearl Coat
	5EM6 5XS5	1				Silverstone
-2	5202 8374	1		EN0		DEFLECTOR, Air
3	55055 233AD	1				PANEL, Grille Opening
4						NUT, Hex, M6x1.00
	6500 284	2		EP0,		
		1	B, U	EN0		
		1	J, T	EN0		
5	6034 204	4				SCREW, Pan Head, #6 HiLo
6	6100 047	1		EP0		NUT AND WASHER, Hex Nut-Coned Washer, M6 x 1.00
7	6035 657	4				NUT, Plastic Snap-In, For .164-15 Screw

**JEEP CHEROKEE (XJ)**

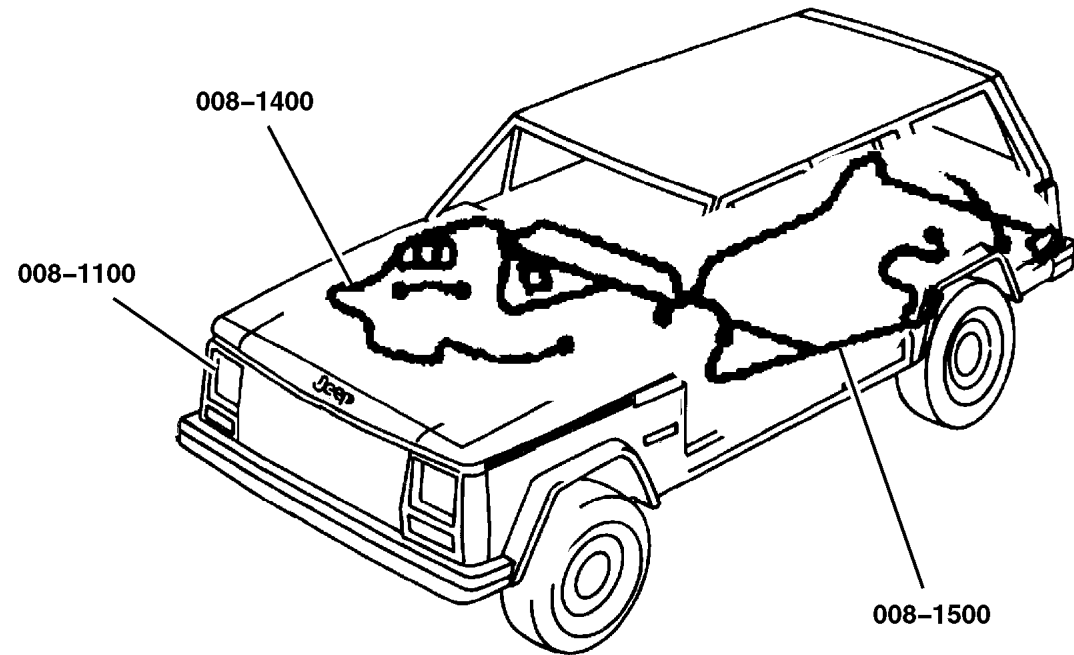
SERIES	LINE	BODY	ENGINE	TRANSMISSION
P=Classic	J=LHD (4WD)	74=4 Dr.(101.4WB)	ENC,EN0=2.5L 4 cyl. Turbo Die	DDD, DDQ=5 spd. Man.
S=Limited	U=RHD (4WD)	72=2 Dr.(101.4WB)	ERH,ER0=4.0L Power Tech I-6	DGS=4 spd. Auto. AISIN
H=Sport	T=LHD (2WD)		EPE,EP0=Magnum 2.5L SMPI	DG0=All Auto/Trans.
L=SE	B=RHD (2WD)			DBB=All Manual Trans.

AR = Use as required - = Non illustrated part # = New this model year

April 5, 2002

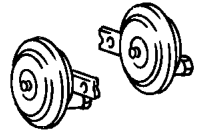
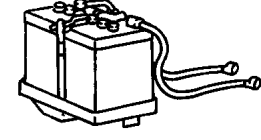
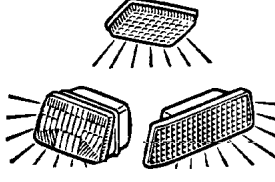
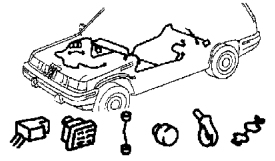

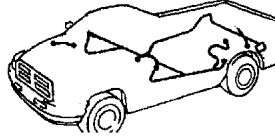
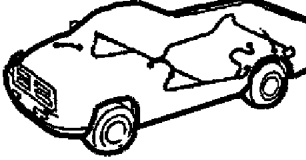
# Group – 008

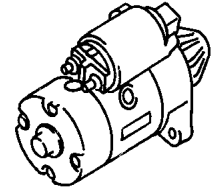
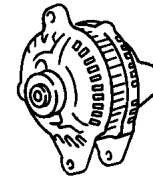
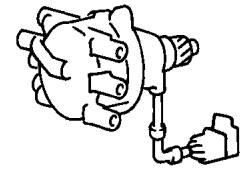
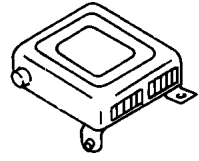

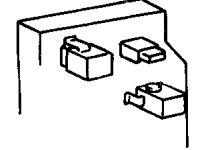
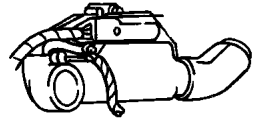
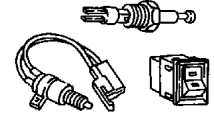
## Electrical



# Group – 008

## Electrical

<b>008-900</b> Horns 	<b>008-1000</b> Battery Tray and Cables 	<b>008-1100</b> Lamps – Front, Rear and Courtesy 	<b>008-1200</b> Wiring-Engine & Related Parts 
<b>008-1300</b> Wiring-Headlamp to Dash 	<b>008-1400</b> Wiring-Instrument Panel <b>WIRING INSTR. PANEL</b>	<b>008-1500</b> Wiring-Body & Accessories 	<b>008-1600</b> Wiring Repair <b>WIRING REPAIR PKG.</b>
<b>008-1900</b> Spark Plugs-Cables-Coils 			

<b>008-100</b> Starters 	<b>008-200</b> Alternators 	<b>008-300</b> Distributor 	<b>008-400</b> Modules 
<b>008-500</b> Relays 	<b>008-600</b> Sensors 	<b>008-700</b> Single Board Engine Controllers 	<b>008-800</b> Switches 

---

**GROUP 8 - Electrical**

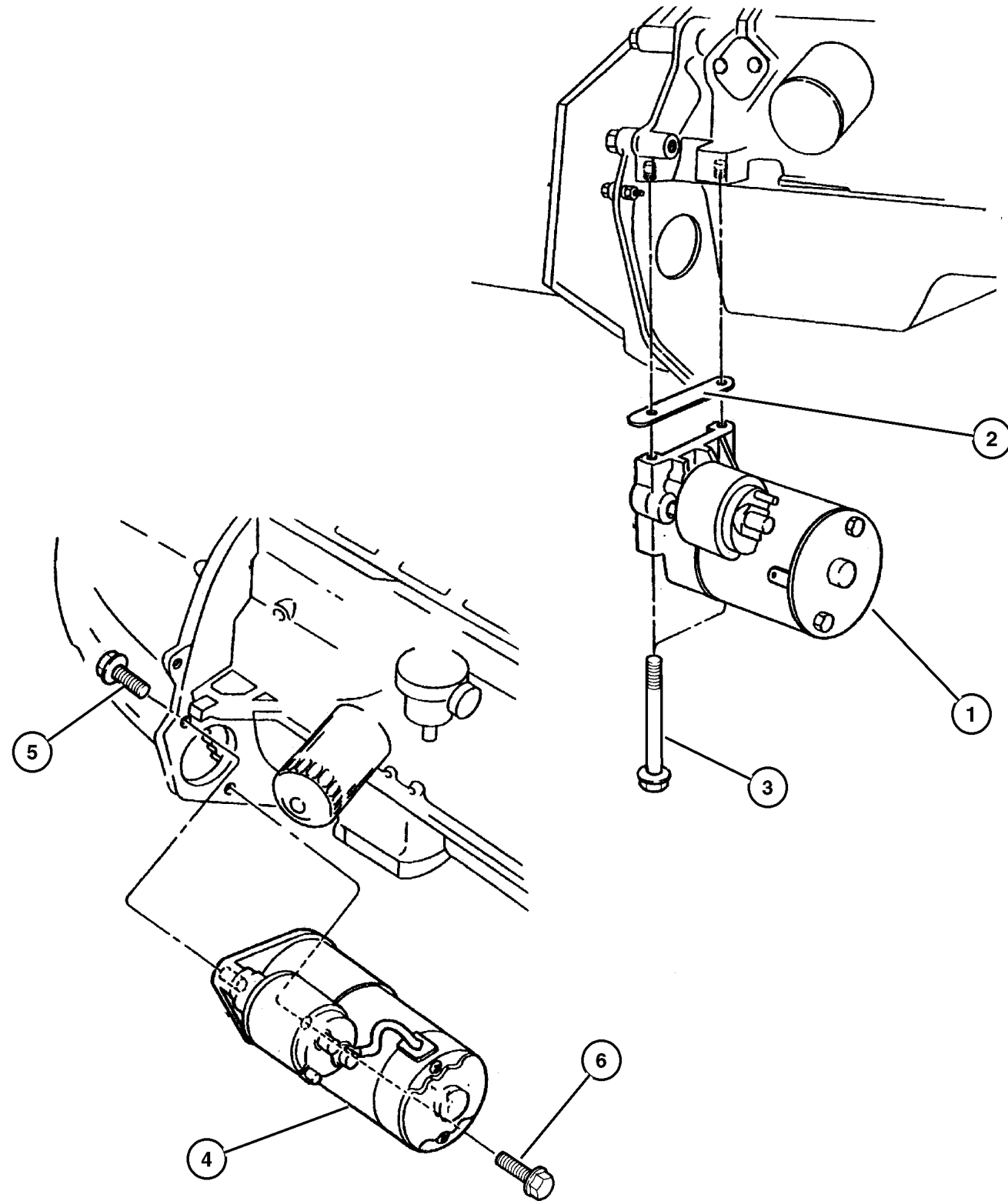
Illustration Title	Group-Fig. No.
<b>Starters</b>	
Starter and Mounting (2.5L & 4.0L Engines) .....	Fig. 008-105
Starter and Mounting (Diesel Engine) .....	Fig. 008-110
<b>Alternators</b>	
Alternator 2.5L & 4.0L Engines R.H.D. ....	Fig. 008-205
Alternator 2.5L & 4.0L Engines L.H.D. ....	Fig. 008-207
Alternator Diesel Engine .....	Fig. 008-210
<b>Distributor</b>	
Distributor 2.5L Engine .....	Fig. 008-305
<b>Modules</b>	
Modules .....	Fig. 008-405
<b>Relays</b>	
Relays .....	Fig. 008-510
<b>Sensors</b>	
Sensors & Control Units .....	Fig. 008-605
<b>Single Board Engine Controllers</b>	
Single Board Engine Controllers .....	Fig. 008-710
<b>Switches</b>	
Switches & Sending Units .....	Fig. 008-810
<b>Horns</b>	
Horns .....	Fig. 008-910
<b>Battery Tray and Cables</b>	
Battery Tray .....	Fig. 008-1005
Battery Cables .....	Fig. 008-1010
<b>Lamps - Front, Rear and Courtesy</b>	
Lamps Fog .....	Fig. 008-1135
Lamps Front .....	Fig. 008-1140
Lamps Rear .....	Fig. 008-1155
Lamps Cargo - Dome - Underhood .....	Fig. 008-1165
Bulbs .....	Fig. 008-1170
<b>Wiring-Engine &amp; Related Parts</b>	
Wiring Engine & Related Parts .....	Fig. 008-1210
<b>Wiring-Headlamp to Dash</b>	
Wiring Headlamp / Dash .....	Fig. 008-1310
<b>Wiring-Instrument Panel</b>	
Wiring Instrument Panel .....	Fig. 008-1410

**GROUP 8 - Electrical**

Illustration Title	Group-Fig. No.
<b>Wiring-Body &amp; Accessories</b>	
Wiring Body & Accessory .....	Fig. 008-1510
<b>Wiring Repair</b>	
Connector Repair Package .....	Fig. 008-1605
Power Distribution Center Repair .....	Fig. 008-1615
<b>Spark Plugs-Cables-Coils</b>	
Spark Plug-Cables & Coil .....	Fig. 008-1905



**Starter and Mounting (2.5L & 4.0L Engines)  
Figure 008-105**



ITEM	PART NUMBER	QTY	LINE	SERIES	BODY	ENGINE	TRANS	DESCRIPTION
EP0=2.5L Engine manual, 12 Disc Magazine.								
ER0=4.0L Engine manual, 12 Disc Magazine.								
1	56041 013AB	1				EP0	DBB	STARTER
2	J324 1711	AR				EP0		SHIM, Starter Motor
3	6035 607	2				EP0	DG0	SCREW, Starter Motor
4	56041 012AB	1				ER0		STARTER
5	6503 699	1				ER0		SCREW AND WASHER, Hex Head, M10x1.5x28
6	J400 6192	1				ER0		BOLT AND WASHER, Hex Head, .375-16x1.75
-7	#56041 476AA	1				ER0		COIL, Ignition

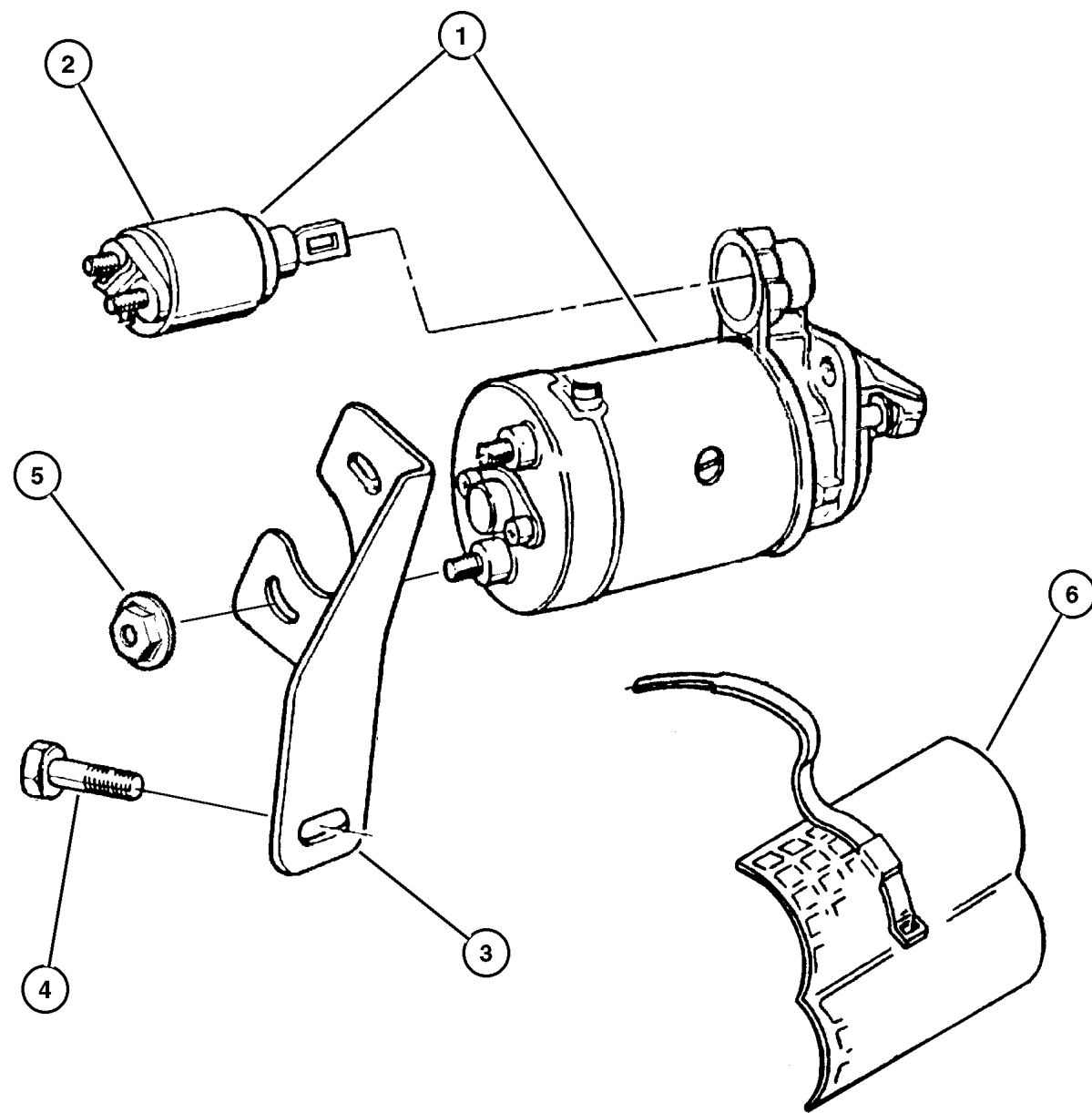
JEEP CHEROKEE (XJ)				
SERIES	LINE	BODY	ENGINE	TRANSMISSION
P=Classic	J=LHD (4WD)	74=4 Dr.(101.4WB)	ENC,EN0=2.5L 4 cyl. Turbo Die	DDD, DDQ=5 spd. Man.
S=Limited	U=RHD (4WD)	72=2 Dr.(101.4WB)	ERH,ER0=4.0L Power Tech I-6	DGS=4 spd. Auto. AISIN
H=Sport	T=LHD (2WD)		EPE,EP0=Magnum 2.5L SMPI	DG0=All Auto/Trans.
L=SE	B=RHD (2WD)			DBB=All Manual Trans.

AR = Use as required - = Non illustrated part # = New this model year

April 5, 2002

**Starter and Mounting (Diesel Engine)**  
**Figure 008-110**

ITEM	PART NUMBER	QTY	LINE	SERIES	BODY	ENGINE	TRANS	DESCRIPTION
EN0=4Cylinder Turbo Engine manual, 12 Disc Magazine.								
1	4883 447AA	1				EN0		STARTER
2	4723 275	1				EN0		SOLENOID, Starter
3	4796 045	1				EN0		BRACKET, Starter
4	4720 684	1				EN0		BOLT
5	4778 936	2				EN0		NUT, Suction Pipe Attaching
6	5602 7329	1				EN0		SHIELD, Heat
-7	#56041 476AA	1				ER0		COIL, Ignition

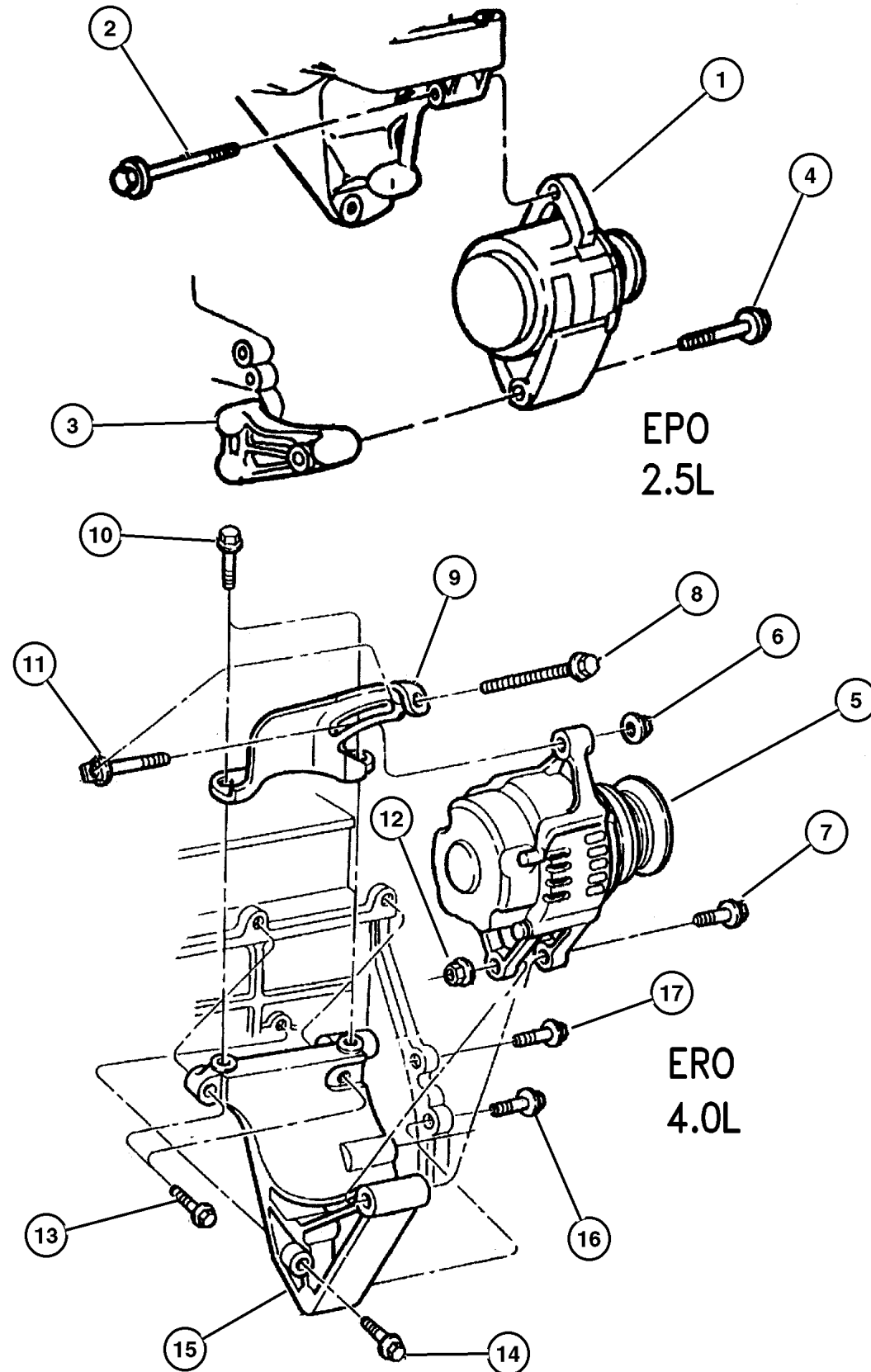


JEEP CHEROKEE (XJ)				
SERIES	LINE	BODY	ENGINE	TRANSMISSION
P=Classic	J=LHD (4WD)	74=4 Dr.(101.4WB)	ENC,EN0=2.5L 4 cyl. Turbo Die	DDD, DDQ=5 spd. Man.
S=Limited	U=RHD (4WD)	72=2 Dr.(101.4WB)	ERH,ER0=4.0L Power Tech I-6	DGS=4 spd. Auto. AISIN
H=Sport	T=LHD (2WD)		EPE,EP0=Magnum 2.5L SMPI	DG0=All Auto/Trans.
L=SE	B=RHD (2WD)			DBB=All Manual Trans.

AR = Use as required - = Non illustrated part # = New this model year

April 5, 2002

**Alternator 2.5L & 4.0L Engines R.H.D.  
Figure 008-205**



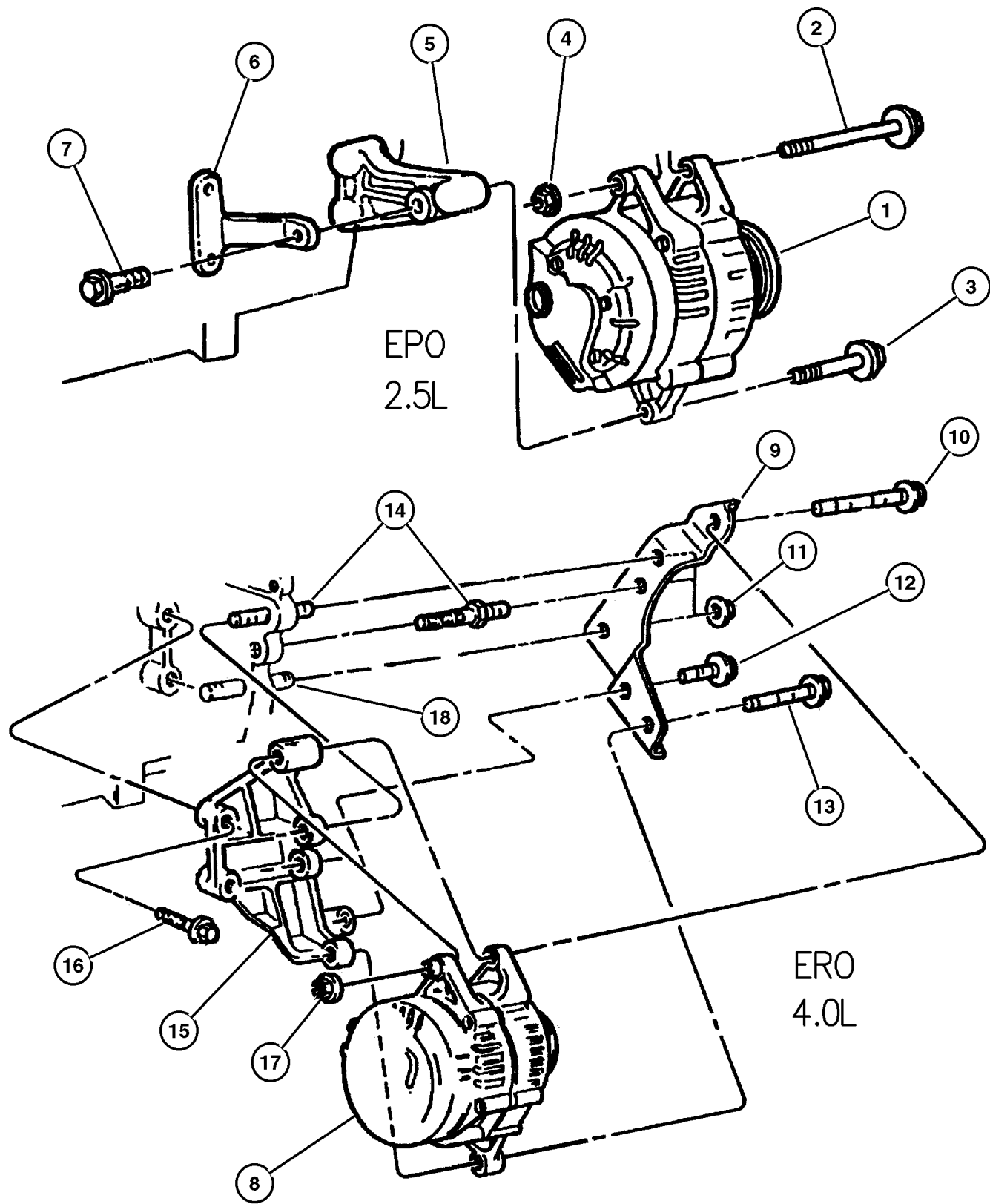
ITEM	PART NUMBER	QTY	LINE	SERIES	BODY	ENGINE	TRANS	DESCRIPTION
EPO=2.5L Engine manual, 12 Disc Magazine.								
ERO=4.0L Engine manual, 12 Disc Magazine.								
1	56026 936AB	1	B, U			EP0		ALTERNATOR
2	6502 666	1	B, U			EP0		SCREW AND CONED WASHER, Hex Flange Head, M8x1.25x55
3	5300 8721	1	B, U			EP0		BRACKET, Alternator
4	6502 143	1	B, U			EP0		BOLT, Hex Flange Head, M10x1.5-80
5	56041 822AA	1				ER0		ALTERNATOR
6	6101 448	1	B, U			ER0		NUT AND WASHER, Hex Nut-Coned Washer, M10 x 1.5
7	6502 134	1	B, U			ER0		BOLT, Hex Flange Head, M10x1.50x110
8	6502 929	1	B, U			ER0		SCREW AND WASHER, Hex Head, M8x1.25x110
9	#53010 190AC	1	B, U			ER0		BRACKET, Tensioner
10	6502 144	2	B, U			ER0		SCREW AND WASHER, Hex Head, M10x1.5x25
11	6502 592	1	B, U			ER0		SCREW, M8x1.25 Tapped Head, M10x1.5x50
12	6502 135	1	B, U			ER0		NUT, Hex Flange, M10x1.5
13								SCREW AND WASHER, Hex Head, Coned, Header, .312-18x2.75, .375-16x1.625, (NOT SERVICED)
14	6034 497	1	B, U			ER0		BOLT AND WASHER, Hex Head, .375-16x2.375
15	5301 0231	1	B, U			ER0		BRACKET, Alternator
16								BOLT, Hex Flange Head, .375-16 x 2.75, (NOT SERVICED)
17	6034 242	1	B, U			ER0		SCREW AND WASHER

JEEP CHEROKEE (XJ)				
SERIES	LINE	BODY	ENGINE	TRANSMISSION
P=Classic	J=LHD (4WD)	74=4 Dr.(101.4WB)	ENC,EN0=2.5L 4 cyl. Turbo Die	DDD, DDQ=5 spd. Man.
S=Limited	U=RHD (4WD)	72=2 Dr.(101.4WB)	ERH,ER0=4.0L Power Tech I-6	DGS=4 spd. Auto. AISIN
H=Sport	T=LHD (2WD)		EPE,EP0=Magnum 2.5L SMPI	DG0=All Auto/Trans.
L=SE	B=RHD (2WD)			DBB=All Manual Trans.

AR = Use as required - = Non illustrated part # = New this model year

April 5, 2002

**Alternator 2.5L & 4.0L Engines L.H.D.  
Figure 008-207**



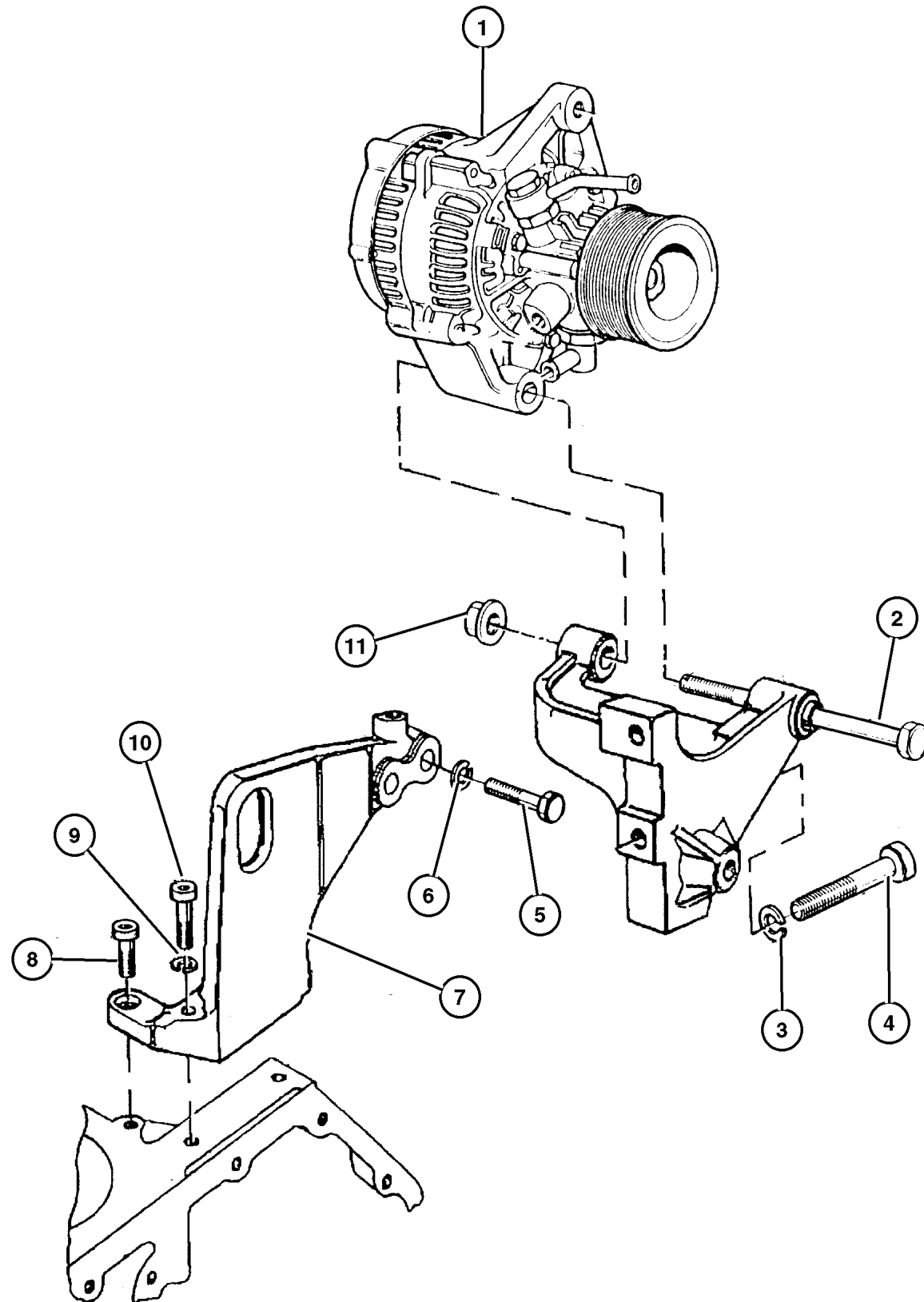
ITEM	PART NUMBER	QTY	LINE	SERIES	BODY	ENGINE	TRANS	DESCRIPTION
EPO=2.5L Engine manual, 12 Disc Magazine.								
ERO=4.0L Engine manual, 12 Disc Magazine.								
1	56041 822AA	1				ER0		ALTERNATOR
		1	J, T			EP0		
2	6502 134	1	J, T			EP0		BOLT, Hex Flange Head, M10x1.50x110
3	6502 136	1	J, T			EP0		BOLT, Hex Flange Head, M10x1.50x55
4	6502 135	1	J, T			EP0		NUT, Hex Flange, M10x1.5
5	5300 7604	1	J, T			EP0		BRACKET, Alternator
6	5300 7506	1	J, T			EP0		BRACKET, Alternator
7	6502 144	1	J, T			EP0		SCREW AND WASHER, Hex Head, M10x1.5x25
8								ALTERNATOR
	56041 822AA	1				ER0		
		1	J, T			EP0		
9	5300 6869	1	J, T			ER0		BRACKET, Alternator
10	6502 134	1	J, T			ER0		BOLT, Hex Flange Head, M10x1.50x110
11	0152 344	3	J, T			ER0		NUT, .375-16
12	6502 144	1	J, T			ER0		SCREW AND WASHER, Hex Head, M10x1.5x25
13	6502 136	1	J, T			ER0		BOLT, Hex Flange Head, M10x1.50x55
14	6034 093	2	J, T			ER0		STUD, .375-16x3.750
15	5300 8850	1	J, T			ER0		BRACKET, Alternator
16								SCREW AND WASHER, .375-16x1.125
	6025 063	1	J, T			EP0		
		1	J, T			ER0		
17	6502 135	1	J, T			ER0		NUT, Hex Flange, M10x1.5
18						ER0		STUD, .312-18/.375-16x2.875, (NOT SERVICED)

JEEP CHEROKEE (XJ)				
SERIES	LINE	BODY	ENGINE	TRANSMISSION
P=Classic	J=LHD (4WD)	74=4 Dr.(101.4WB)	ENC,EN0=2.5L 4 cyl. Turbo Die	DDD, DDQ=5 spd. Man.
S=Limited	U=RHD (4WD)	72=2 Dr.(101.4WB)	ERH,ER0=4.0L Power Tech I-6	DGS=4 spd. Auto. AISIN
H=Sport	T=LHD (2WD)		EPE,EP0=Magnum 2.5L SMPI	DG0=All Auto/Trans.
L=SE	B=RHD (2WD)			DBB=All Manual Trans.

AR = Use as required - = Non illustrated part # = New this model year

April 5, 2002

## Alternator Diesel Engine Figure 008-210



ITEM	PART NUMBER	QTY	LINE	SERIES	BODY	ENGINE	TRANS	DESCRIPTION
EN0=4Cylinder Turbo Engine manual, 12 Disc Magazine.								
DDQ=Manual Transmission 5 Speed manual, 12 Disc Magazine.								
1	5014 087AA	1				EN0		ALTERNATOR
2								SCREW, Cap, M10x150, (NOT SERVICED)
3	4864 758	2				EN0		WASHER
4	4720 684	1				EN0		BOLT
5								BOLT, Starter, (NOT SERVICED)
6	4723 165	2				EN0		WASHER, P Clip
7								BRACKET, Alternator
	5003 568AA	1				EN0		Lower
	5003 569AA	1				EN0		Upper
8	4720 684	1				EN0		BOLT
9	4210 983	2	J, U			EN0	DDQ	WASHER, Flat
10	4797 768	2				EN0		BOLT, Vacuum Pump Bracket, M10x35
11	4796 038	1				EN0		NUT, Hex Flange, M10x1.5

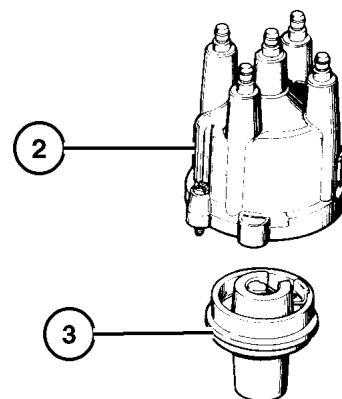
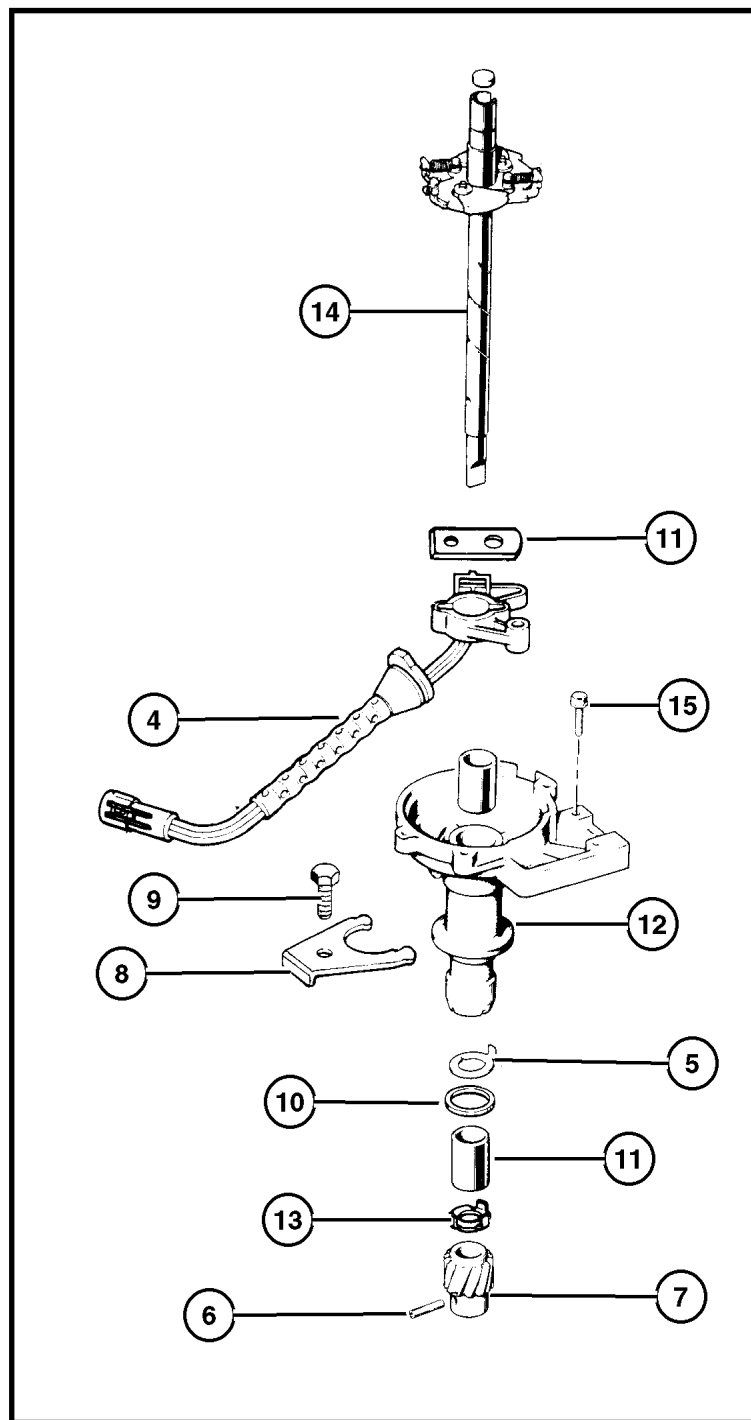
### JEEP CHEROKEE (XJ)

SERIES	LINE	BODY	ENGINE	TRANSMISSION
P=Classic	J=LHD (4WD)	74=4 Dr.(101.4WB)	ENC,EN0=2.5L 4 cyl. Turbo Die	DDD, DDQ=5 spd. Man.
S=Limited	U=RHD (4WD)	72=2 Dr.(101.4WB)	ERH,ER0=4.0L Power Tech I-6	DGS=4 spd. Auto. AISIN
H=Sport	T=LHD (2WD)		EPE,EP0=Magnum 2.5L SMPI	DG0=All Auto/Trans.
L=SE	B=RHD (2WD)			DBB=All Manual Trans.

AR = Use as required - = Non illustrated part # = New this model year

April 5, 2002

## Distributor 2.5L Engine Figure 008-305



ITEM	PART NUMBER	QTY	LINE	SERIES	BODY	ENGINE	TRANS	DESCRIPTION
EP0=2.5L Engine manual, 12 Disc Magazine.								
DG0=Automatic Transmission manual, 12 Disc Magazine.								
DBB=Manual Transmission 5 Speed manual, 12 Disc Magazine.								
1	5604 1033	1				EP0		DISTRIBUTOR, Engine
2	53006 152AB	1				EP0		CAP, Distributor
3	5602 7019	1				EP0		ROTOR, Distributor
4	5604 1030	1				EP0		SWITCHPLATE, Distributor
5	3300 4594	1				EP0		WASHER, Distributor Gear
6	9422 127	1				EP0		ROLL PIN, .19x.75
7	8350 4635	1				EP0		GEAR, Distributor Drive
8	3300 4242	1				EP0		CLAMP, Distributor
9	6033 479	6	B, T				DGD	BOLT, Hex Head, .25-28x1-5/8
10	J318 1288	1				EP0		GASKET, Distributor
11								SPACER, Distributor, Serviced w/ Distrbutor, (NOT SERVICED)
12								HOUSING, Distributor, Serviced w/ Distrbutor, (NOT SERVICED)
13								RETAINER, Serviced w/Distrbutor, (NOT SERVICED)
14								SHAFT, Distributor, Serviced w/Distrbutor, (NOT SERVICED)
15								SCREW, Serviced w/Distrbutor, (NOT SERVICED)

### JEEP CHEROKEE (XJ)

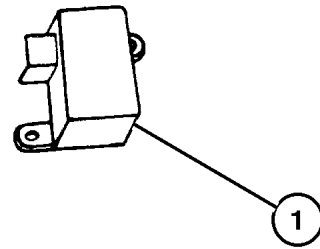
SERIES	LINE	BODY	ENGINE	TRANSMISSION
P=Classic	J=LHD (4WD)	74=4 Dr.(101.4WB)	ENC,EN0=2.5L 4 cyl. Turbo Die	DDD, DDQ=5 spd. Man.
S=Limited	U=RHD (4WD)	72=2 Dr.(101.4WB)	ERH,ER0=4.0L Power Tech I-6	DGS=4 spd. Auto. AISIN
H=Sport	T=LHD (2WD)		EPE,EP0=Magnum 2.5L SMPI	DG0=All Auto/Trans.
L=SE	B=RHD (2WD)			DBB=All Manual Trans.

AR = Use as required - = Non illustrated part # = New this model year

April 5, 2002

**Modules**  
**Figure 008-405**

ITEM	PART NUMBER	QTY	LINE	SERIES	BODY	ENGINE	TRANS	DESCRIPTION
EP0=2.5L Engine manual, 12 Disc Magazine.								
ER0=4.0L Engine manual, 12 Disc Magazine.								
EN0=4Cylinder Turbo Engine manual, 12 Disc Magazine.								
DG0=Automatic Transmission manual, 12 Disc Magazine.								
DBB=Manual Transmission 5 Speed manual, 12 Disc Magazine.								
1	5600 4262	1						MODULE, Daytime Running Lamp
-2	5600 9324	1						MODULE, Headlamp Delay
-3	#56007 323AE	1						MODULE, Air Bag Control
-4								MODULE, Transmission Control
	56041 386AB	1				ER0	DG0	
	#56041 876AA	1				ER0	DG0	JAPAN
-5								MODULE PACKAGE, Keyless Entry
	5003 378AC	1						
	5003 382AB	1						EUROPE
-6	56009 712AC	1						MODULE, Security Alarm, Sentry Key (Immobilizer Module)
-7	5003 378AD	1						MODULE PACKAGE, Keyless Entry
-8	5003 378AD	1						MODULE PACKAGE, Keyless Entry
-9								MODULE, Heated Front Seats
	#56010 159AD	1	J, T		74			
		1	B, U		74			



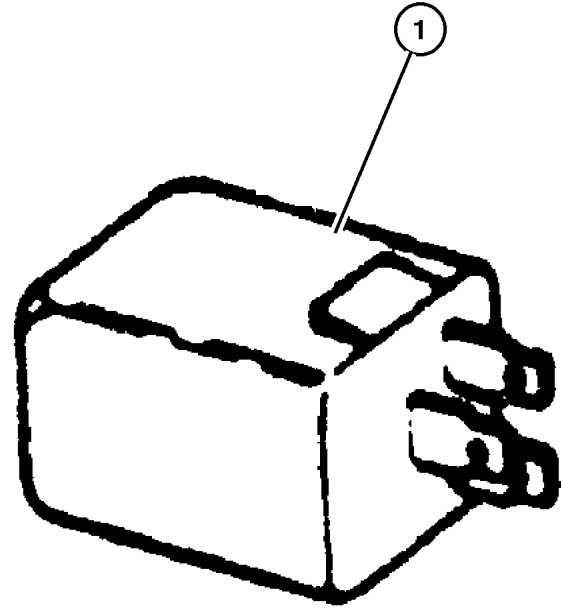
JEEP CHEROKEE (XJ)				
SERIES	LINE	BODY	ENGINE	TRANSMISSION
P=Classic	J=LHD (4WD)	74=4 Dr.(101.4WB)	ENC,EN0=2.5L 4 cyl. Turbo Die	DDD, DDQ=5 spd. Man.
S=Limited	U=RHD (4WD)	72=2 Dr.(101.4WB)	ERH,ER0=4.0L Power Tech I-6	DGS=4 spd. Auto. AISIN
H=Sport	T=LHD (2WD)		EPE,EP0=Magnum 2.5L SMPI	DG0=All Auto/Trans.
L=SE	B=RHD (2WD)			DBB=All Manual Trans.

AR = Use as required - = Non illustrated part # = New this model year

April 5, 2002

**Relays  
Figure 008-510**

ITEM	PART NUMBER	QTY	LINE	SERIES	BODY	ENGINE	TRANS	DESCRIPTION
1	5600 9057	1	J, U					RELAY, Rear Fog Lamp
-2	5600 6846	2						RELAY, Electrical, T/Tow
-3	4638 094	1						RELAY PACKAGE, Electrical
-4	4671 168	1						RELAY, Mini A/C
		1						Fog Lamp
-5	5600 9711	1	J, U					FLASHER Flasher Combination, Export
	5602 1551	1						Turn Signal & Hazard



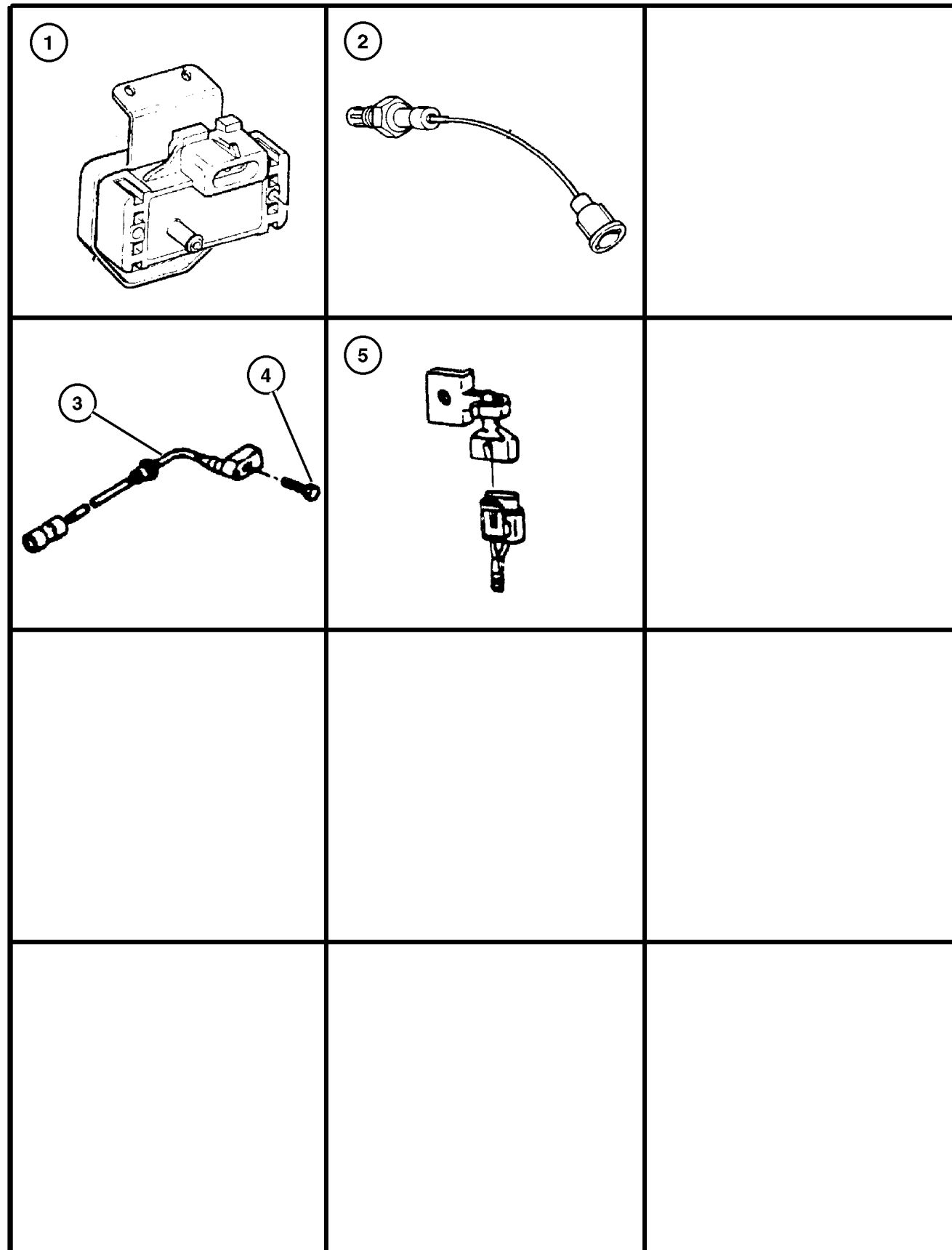
JEEP CHEROKEE (XJ)				
SERIES	LINE	BODY	ENGINE	TRANSMISSION
P=Classic	J=LHD (4WD)	74=4 Dr.(101.4WB)	ENC,EN0=2.5L 4 cyl. Turbo Die	DDD, DDQ=5 spd. Man.
S=Limited	U=RHD (4WD)	72=2 Dr.(101.4WB)	ERH,ER0=4.0L Power Tech I-6	DGS=4 spd. Auto. AISIN
H=Sport	T=LHD (2WD)		EPE,EP0=Magnum 2.5L SMPI	DG0=All Auto/Trans.
L=SE	B=RHD (2WD)			DBB=All Manual Trans.

AR = Use as required - = Non illustrated part # = New this model year

April 5, 2002



Sensors & Control Units  
Figure 008-605



ITEM	PART NUMBER	QTY	LINE	SERIES	BODY	ENGINE	TRANS	DESCRIPTION
EP0=2.5L Engine manual, 12 Disc Magazine. ER0=4.0L Engine manual, 12 Disc Magazine. EN0=4Cylinder Turbo Engine manual, 12 Disc Magazine. DGS=Automatic Transmission 4 Speed AISIN manual, 12 Disc Magazine. DGD=Automatic Transmission 3 Speed manual, 12 Disc Magazine.								
1	5602 9405	1				EP0, ER0		SENSOR, Map
2	56041 212AE	1				ER0		SENSOR, Oxygen Before Catalyst (California & European III Emissions)
	56041 213AF	1				EP0		Before Catalyst (Federal, California, European II & III Emissions)
	56041 213AG	1				EP0, ER0		After Catalyst (Federal, California, European II & III Emissions)
	#56044 214AA	1				ER0		Before Catalyst (Federal & European II Emissions)
	#56044 215AA	1				ER0		After Catalyst (California & European III Emissions)
	56041 213AF	1				ER0		Before Catalyst (California Emissions), Right & Left
3								SENSOR, Anti-Lock Brakes
	5200 5932	1						Rear Right
	5200 5933	1						Rear Front
	5600 5217	2	J			ENC		Front
		2	U			ENC		Front
		2	J					Front
		2	B		74			Front
		2	T					Front
4	8350 4920	2						BOLT
5	4688 204AB	1						SENSOR, Ambient Temperature
-6	#56027 978AB	1				ER0		BRACKET, Oxygen Sensor Before Catalyst
		1				EP0		Before Catalyst
	5604 1000	1				EP0, ER0		After Catalyst
-7								SENSOR, Vehicle Speed
	4897 734AA	2	B, T			ER0	DGS	
	5602 7905	1						
	4897 734AA	2	J, U				DGS	
-8								O RING
	1556 385	1	B, T				DGD	
	8350 3789	1	J, U				DGS	

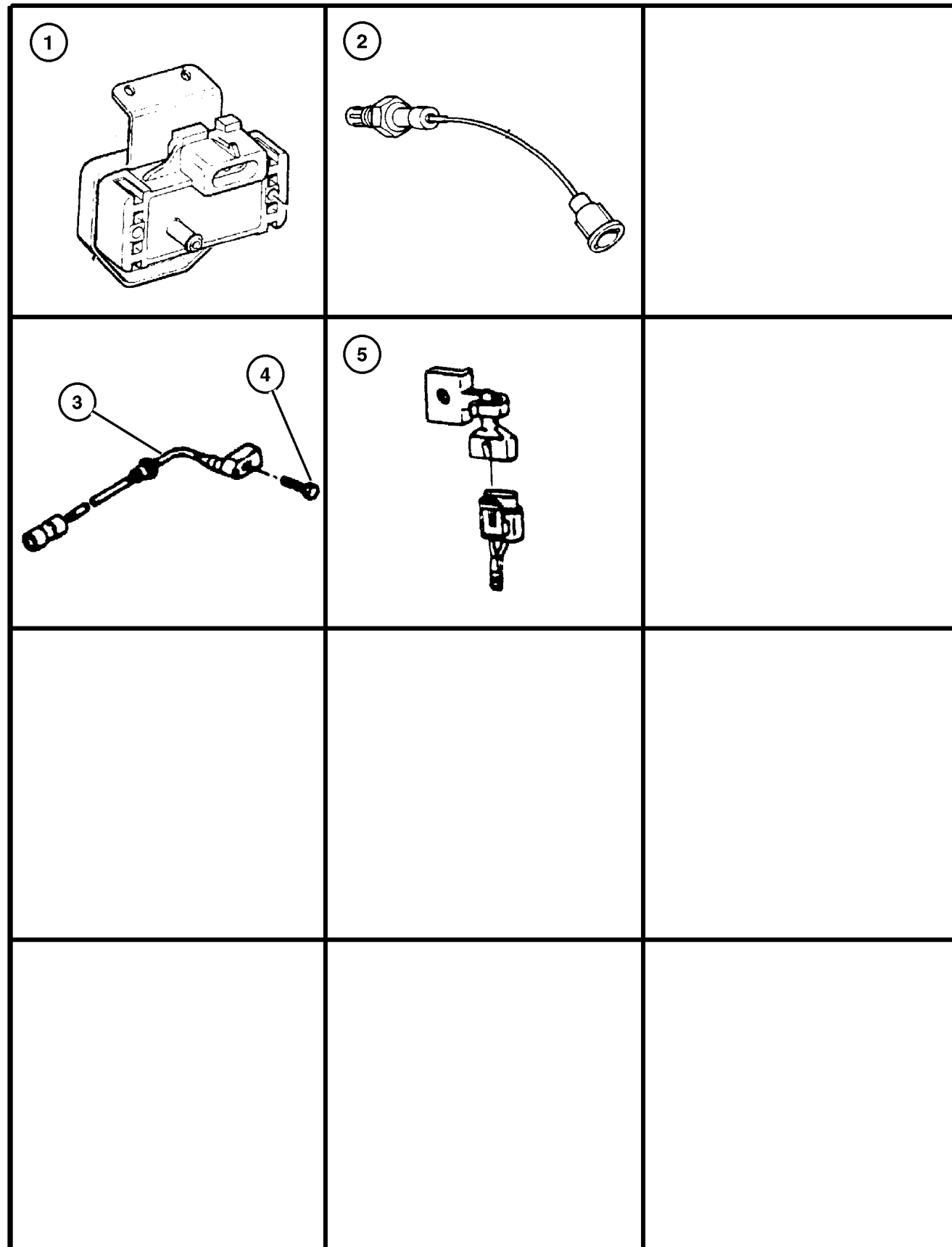
JEEP CHEROKEE (XJ)

SERIES	LINE	BODY	ENGINE	TRANSMISSION
P=Classic	J=LHD (4WD)	74=4 Dr.(101.4WB)	ENC,EN0=2.5L 4 cyl. Turbo Die	DDD, DDQ=5 spd. Man.
S=Limited	U=RHD (4WD)	72=2 Dr.(101.4WB)	ERH,ER0=4.0L Power Tech I-6	DGS=4 spd. Auto. AISIN
H=Sport	T=LHD (2WD)		EPE,EP0=Magnum 2.5L SMPI	DG0=All Auto/Trans.
L=SE	B=RHD (2WD)			DBB=All Manual Trans.

AR = Use as required - = Non illustrated part # = New this model year

April 5, 2002

Sensors & Control Units  
Figure 008-605



ITEM	PART NUMBER	QTY	LINE	SERIES	BODY	ENGINE	TRANS	DESCRIPTION
		1	B, T			ER0	DGS	
-9	#56027 866AE	1				ER0		SENSOR, Crankshaft Position
	56041 819AA	1				EP0		
-10								BOLT AND WASHER, Hex Head, M7x1.00x25
	6503 520	2				EP0	DBB	Crankshaft Attaching
		2				ER0		Crankshaft Attaching
		2				EN0		Crankshaft Attaching
-11								SENSOR, Throttle Position
	4874 371AC	1				ER0		
		1				EP0		
-12	5515 4979	1						SENSOR, Washer Fluid Level
-13	5602 7873	1				EP0, ER0		SENSOR, Coolant Temperature
-14								BRACKET, Brake Sensor
	5602 6996	1						Right
	5602 6997	1						Left
-15	5602 7963	1				EN0		SENSOR, Engine Electric Control
-16								SENSOR, Battery Temperature
	5602 7332	1				EP0, ER0		
	5604 1053	1				EN0		
-17								SENSOR, Air Temperature
	5602 7872	1				EP0, ER0		
	5003 734AA	1				EN0		
-18	5014 067AA	2				EN0		SENSOR, Temperature Sending Unit
-19	4897 023AA	1				ER0		SENSOR, Camshaft
-20	3420 2536	2				EP0	DGD	STUD, .312-18x2.26, Crank Sensor Mounting

JEEP CHEROKEE (XJ)

SERIES	LINE	BODY	ENGINE	TRANSMISSION
P=Classic	J=LHD (4WD)	74=4 Dr.(101.4WB)	ENC,EN0=2.5L 4 cyl. Turbo Die	DDD, DDQ=5 spd. Man.
S=Limited	U=RHD (4WD)	72=2 Dr.(101.4WB)	ERH,ER0=4.0L Power Tech I-6	DGS=4 spd. Auto. AISIN
H=Sport	T=LHD (2WD)		EPE,EP0=Magnum 2.5L SMPI	DG0=All Auto/Trans.
L=SE	B=RHD (2WD)			DBB=All Manual Trans.

AR = Use as required - = Non illustrated part # = New this model year

April 5, 2002

## Single Board Engine Controllers Figure 008-710

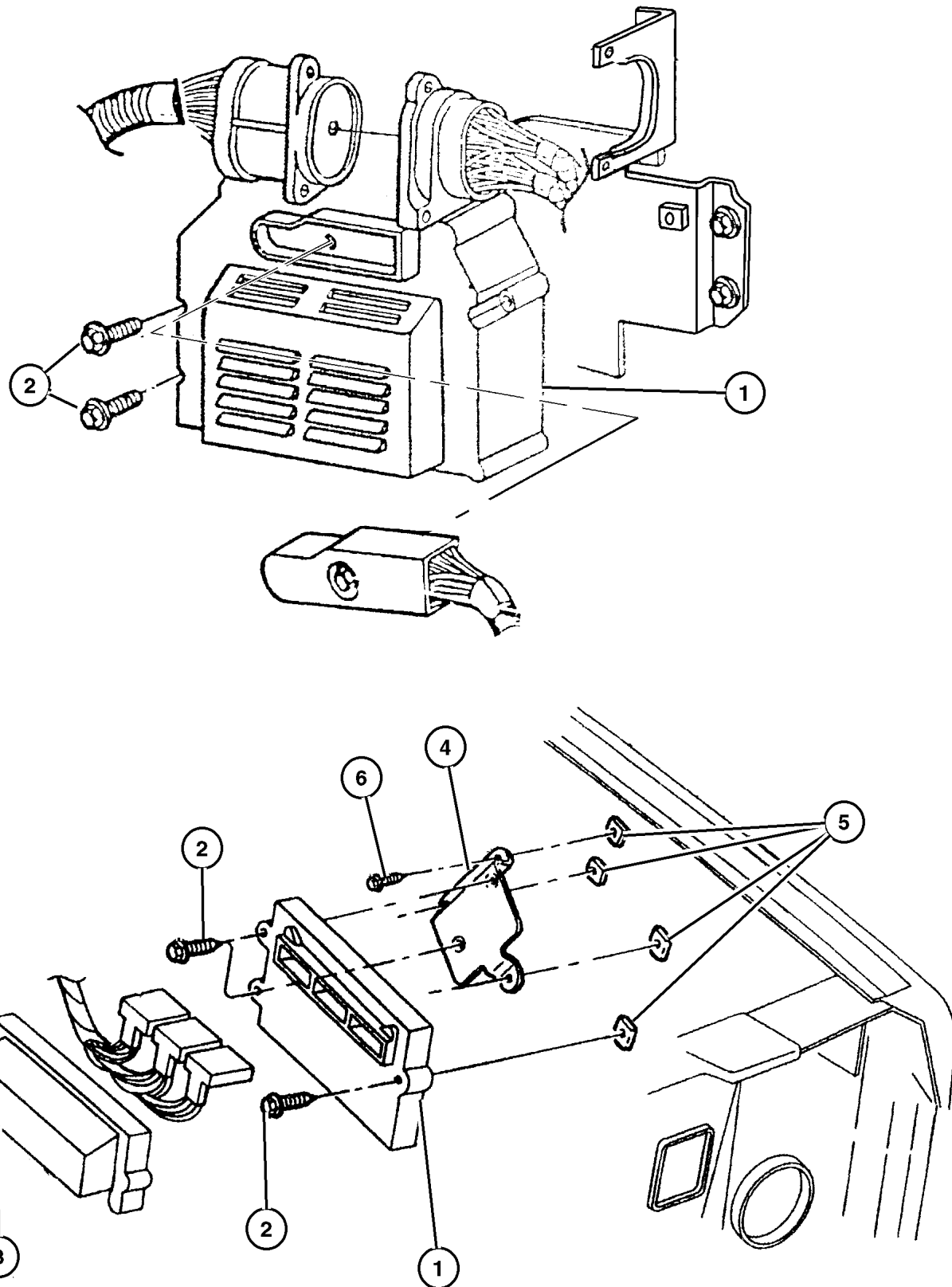
ITEM	PART NUMBER	QTY	LINE	SERIES	BODY	ENGINE	TRANS	DESCRIPTION
EP0=2.5L Engine manual, 12 Disc Magazine.								
ER0=4.0L Engine manual, 12 Disc Magazine.								
EN0=4Cylinder Turbo Engine manual, 12 Disc Magazine.								
DG0=Automatic Transmission manual, 12 Disc Magazine.								
DBB=Manual Transmission 5 Speed manual, 12 Disc Magazine.								
1								MODULE, Powertrain Control
	#56041 632AD	1				ER0	DBB	4.0L Engine w/Export Emission
	#56041 633AD	1				ER0	DBB	4.0L Engine w/Leaded Fuel Emission
	#56041 634AE	1				ER0	DG0	4.0L Engine w/Federal Emission
	#56041 635AE	1				ER0	DG0	4.0L Engine w/California Emission
	#56041 636AD	1				ER0	DG0	4.0L Engine w/Export Emission
	#56041 639AD	1				ER0	DG0	4.0L Engine w/Leaded Fuel Emission
	#56041 640AB	1				EN0	DBB	Diesel Engine
	#56041 661AD	1				EP0	DBB	2.5L Engine w/Federal Emission
	#56041 662AD	1				EP0	DBB	2.5L Engine w/California Emission
	#56041 663AD	1				EP0	DBB	2.5L Engine w/Export Emission
	#56041 664AD	1				EP0	DBB	2.5L Engine w/Leaded Fuel Emission
	#56041 665AD	1				EP0	DG0	2.5L Engine w/Federal Emission
	#56041 666AD	1				EP0	DG0	2.5L Engine w/California Emission
	#56041 667AD	1				ER0	DBB	4.0L Engine w/Federal Emission
	#56041 668AD	1				ER0	DBB	4.0L Engine w/California Emission
	#56041 672AD	1				ER0	DBB	4.0L Engine w/European III Emission
	#56041 673AD	1				ER0	DG0	4.0L Engine w/European III Emission
2								SCREW, (NOT SERVICED)
3								COVER, Module, (NOT SERVICED)
4								BRACKET, Module
	56041 067AC	1	J, T			EP0, ER0	DG0	
	56041 372AC	1	J, T			EN0		
	#56041 561AC	1	B, U			EP0, ER0	DG0	
5	6100 515	2				EN0		NUT, Hex Flange Lock, M5
6	0154 552	3				EP0, ER0		SCREW, Hex Head, .190-16x.625
-7	#56041 588AA	1				EN0	DBB	MODULE, Engine Controller

### JEEP CHEROKEE (XJ)

SERIES	LINE	BODY	ENGINE	TRANSMISSION
P=Classic	J=LHD (4WD)	74=4 Dr.(101.4WB)	ENC,EN0=2.5L 4 cyl. Turbo Die	DDD, DDQ=5 spd. Man.
S=Limited	U=RHD (4WD)	72=2 Dr.(101.4WB)	ERH,ER0=4.0L Power Tech I-6	DGS=4 spd. Auto. AISIN
H=Sport	T=LHD (2WD)		EPE,EP0=Magnum 2.5L SMPI	DG0=All Auto/Trans.
L=SE	B=RHD (2WD)			DBB=All Manual Trans.

AR = Use as required - = Non illustrated part # = New this model year

April 5, 2002



**Switches & Sending Units**  
**Figure 008-810**

ITEM	PART NUMBER	QTY	LINE	SERIES	BODY	ENGINE	TRANS	DESCRIPTION
------	-------------	-----	------	--------	------	--------	-------	-------------

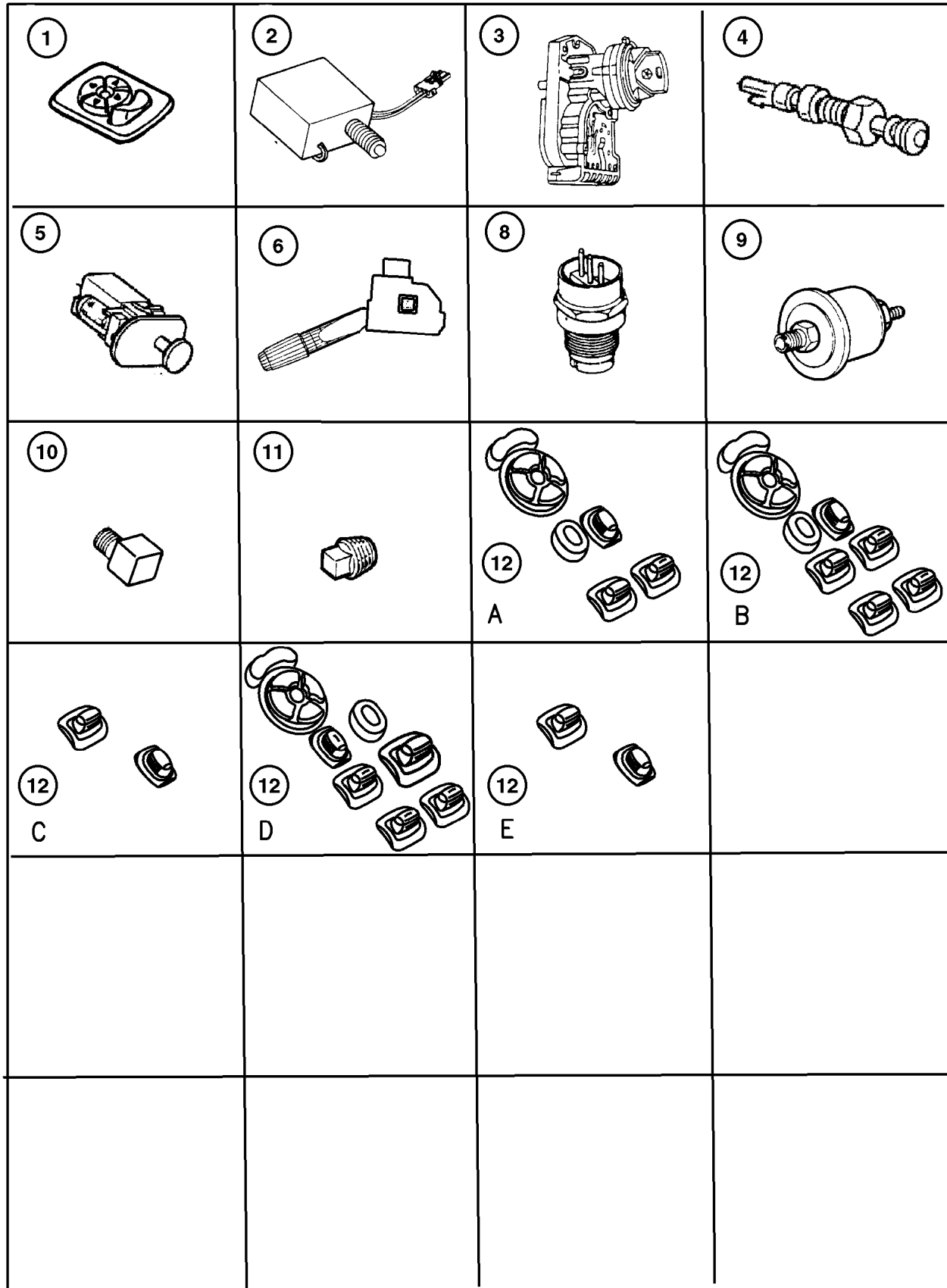
EP0=2.5L Engine manual, 12 Disc Magazine.  
 ER0=4.0L Engine manual, 12 Disc Magazine.  
 EN0=4Cylinder Turbo Engine manual, 12 Disc Magazine.  
 DG0=Automatic Transmission manual, 12 Disc Magazine.  
 DBB=Manual Transmission 5 Speed manual, 12 Disc Magazine.

1	56007 678AB	1						SWITCH, Mirror
2	4671 336	1						SWITCH, Stop Lamp
3	4565 326	1					DG0	SWITCH, Ignition
4	4373 296	1						SWITCH, Door Ajar
5								SWITCH, Glove Box Lamp, (NOT REQUIRED)
6	56010 315AA	1					DG0	SWITCH, Multifunction
-7	4863 839	1						CONNECTOR PACKAGE, Beam Select Switch
8	4882 173	1	B, T			ER0	DGS	SWITCH, Neutral, Safety, Back Up
			J, U				DGS	
	56028 181AB	1	B, T				DGD	
9	56028 807AA	1				EP0, ER0		SENDING UNIT, Oil Pressure
						EN0		
10	J093 4001	1				EP0		ELBOW, Oil Gauge Sending Unit
	J3212 002AB	1				ER0		
11								PLUG, Square Head, 1/8-27NPTx.32, (NOT REQUIRED)
12								SWITCH, Window and Door Lock
	56009 449AC	1	J, T			74		Left Front Door, Power Mirrors, Power Windows & Power Locks
	56009 450AC	1	J, T			72		Left Front Door, Power Windows & Power Locks
	56009 451AC	1	J, T			72		Right Front Door, Power Windows & Power Locks
		1	J, T			74		Right Front Door, Power Windows & Power Locks
	56009 512AC	1	B, U			74		Power Mirrors, Power Windows & Power Locks
	56009 571AC	1	B, U			74		Power Windows & Power Locks
-13	5600 7695	1				74		SWITCH, Power Window
-14	5600 7249	1						SWITCH, Wiper and Washer, Rear
-15	56007 530AD	1						SWITCH, Speed Control Right

JEEP CHEROKEE (XJ)				
SERIES	LINE	BODY	ENGINE	TRANSMISSION
P=Classic	J=LHD (4WD)	74=4 Dr.(101.4WB)	ENC,EN0=2.5L 4 cyl. Turbo Die	DDD, DDQ=5 spd. Man.
S=Limited	U=RHD (4WD)	72=2 Dr.(101.4WB)	ERH,ER0=4.0L Power Tech I-6	DGS=4 spd. Auto. AISIN
H=Sport	T=LHD (2WD)		EPE,EP0=Magnum 2.5L SMPI	DG0=All Auto/Trans.
L=SE	B=RHD (2WD)			DBB=All Manual Trans.

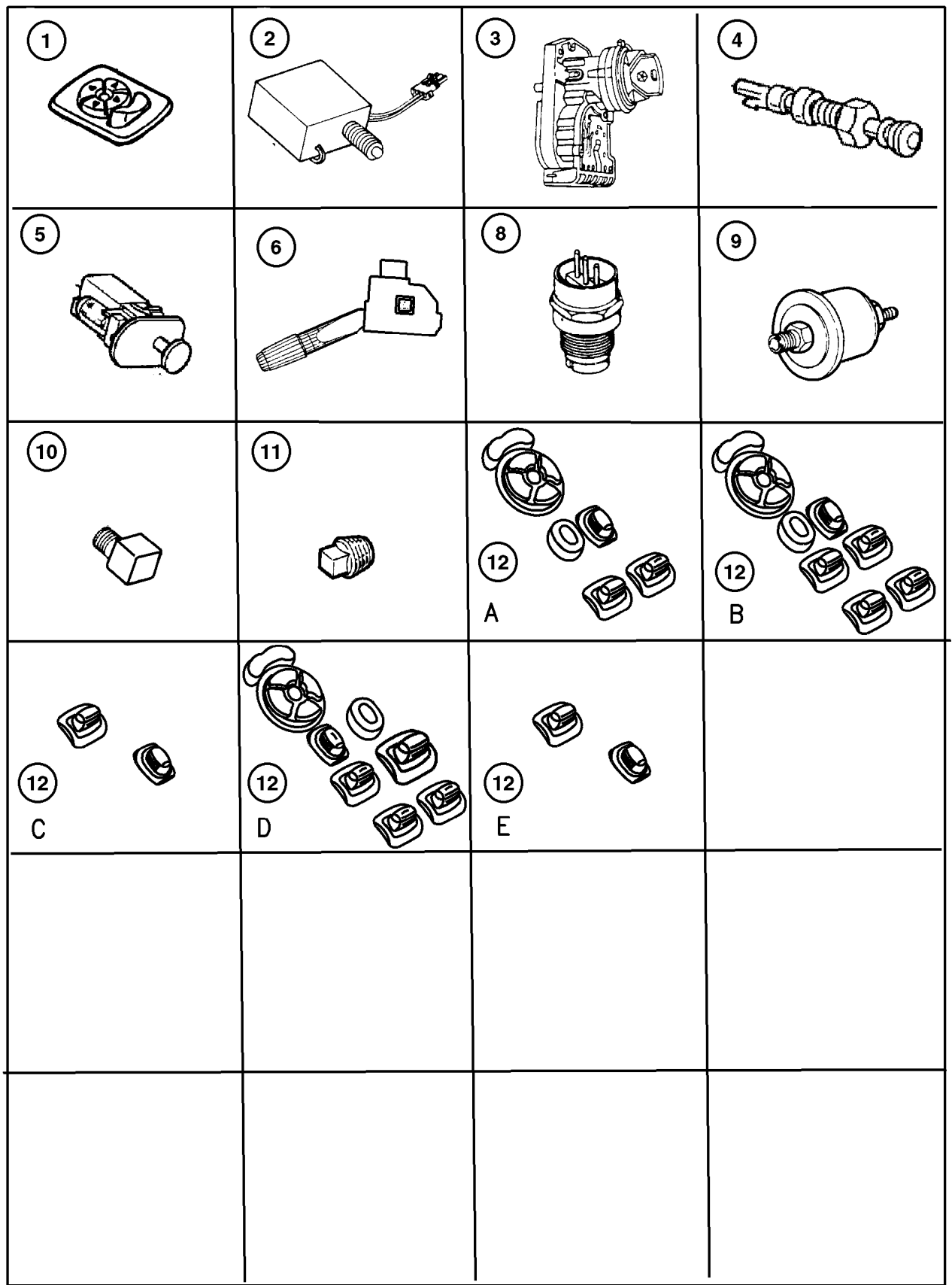
AR = Use as required - = Non illustrated part # = New this model year

April 5, 2002



## Switches & Sending Units Figure 008-810

ITEM	PART NUMBER	QTY	LINE	SERIES	BODY	ENGINE	TRANS	DESCRIPTION
	56007 531AD	1						Left
-16	5600 7248	1	J, U					SWITCH, Fog Lamp EUROPE, Rear
	5080 861AA	1						Front
-17	5600 7250	1						SWITCH, Electric Back Light
-18	56009 869AB	1						SWITCH, Headlamp
-19	56021 893AA	1						RETAINER, Headlamp Switch
-20	5600 9376	1						KNOB AND SHAFT, Headlamp Switch
-21	56007 675AB	1						SWITCH, Headlamp Leveling
-22	4793 313	1					DG0	SWITCH, Intermittent Wiper
-23	5600 8728	1						SWITCH, Extended Idle
-24	5212 7960	1						SWITCH, Parking Brake
-25								BEZEL, Switch
	#4897 502AG	1						w/3 Switch Opening
	#4897 503AG	1						w/2 Switch Opening
	#4897 505AG	1						w/4 Switch Opening
-26								SWITCH, Heated Seat
	#56010 135AB	1						Right
	#56010 136AB	1						Left
-27	#5GH07 LAZAB	1						BEZEL, Floor Console Switch, Heated Seats Switch (Console) Agate



**JEEP CHEROKEE (XJ)**

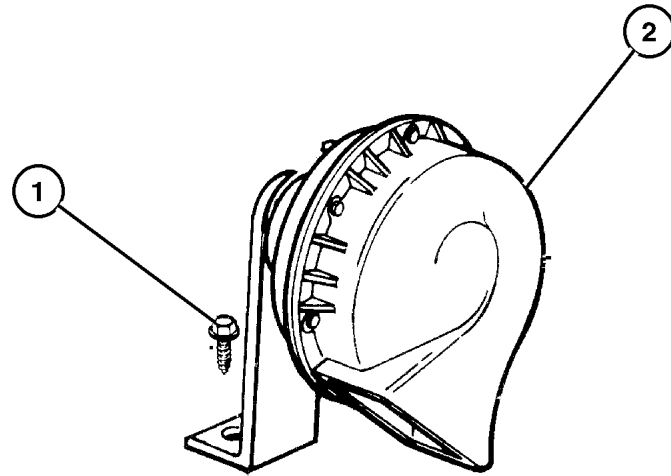
SERIES	LINE	BODY	ENGINE	TRANSMISSION
P=Classic	J=LHD (4WD)	74=4 Dr.(101.4WB)	ENC,EN0=2.5L 4 cyl. Turbo Die	DDD, DDQ=5 spd. Man.
S=Limited	U=RHD (4WD)	72=2 Dr.(101.4WB)	ERH,ER0=4.0L Power Tech I-6	DGS=4 spd. Auto. AISIN
H=Sport	T=LHD (2WD)		EPE,EP0=Magnum 2.5L SMPI	DG0=All Auto/Trans.
L=SE	B=RHD (2WD)			DBB=All Manual Trans.

AR = Use as required - = Non illustrated part # = New this model year

April 5, 2002

## Horns Figure 008-910

ITEM	PART NUMBER	QTY	LINE	SERIES	BODY	ENGINE	TRANS	DESCRIPTION
EP0=2.5L Engine manual, 12 Disc Magazine.								
ER0=4.0L Engine manual, 12 Disc Magazine.								
EN0=4Cylinder Turbo Engine manual, 12 Disc Magazine.								
DDQ=Automatic 4 Speed AISIN manual, 12 Disc Magazine.								
1	3420 2606	2	J, T			EP0		BOLT, Hex Head
2	5600 9614	1						HORN, High Note
-3	5600 9573	1						HORN, Low Note
-4	6024 030	1				ER0		SCREW AND WASHER, Hex

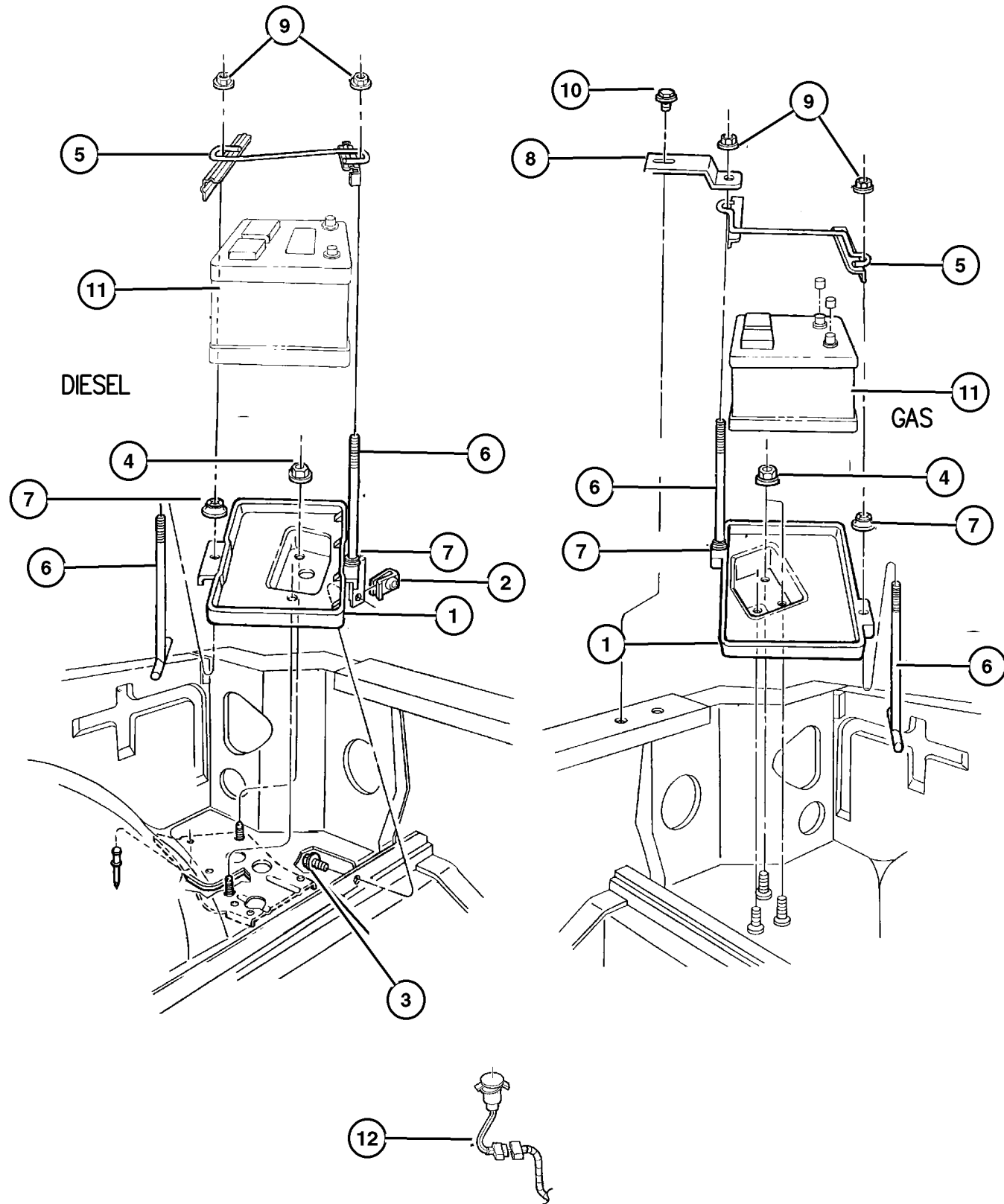


JEEP CHEROKEE (XJ)				
SERIES	LINE	BODY	ENGINE	TRANSMISSION
P=Classic	J=LHD (4WD)	74=4 Dr.(101.4WB)	ENC,EN0=2.5L 4 cyl. Turbo Die	DDD, DDQ=5 spd. Man.
S=Limited	U=RHD (4WD)	72=2 Dr.(101.4WB)	ERH,ER0=4.0L Power Tech I-6	DGS=4 spd. Auto. AISIN
H=Sport	T=LHD (2WD)		EPE,EP0=Magnum 2.5L SMPI	DG0=All Auto/Trans.
L=SE	B=RHD (2WD)			DBB=All Manual Trans.

AR = Use as required - = Non illustrated part # = New this model year

April 5, 2002

**Battery Tray**  
**Figure 008-1005**



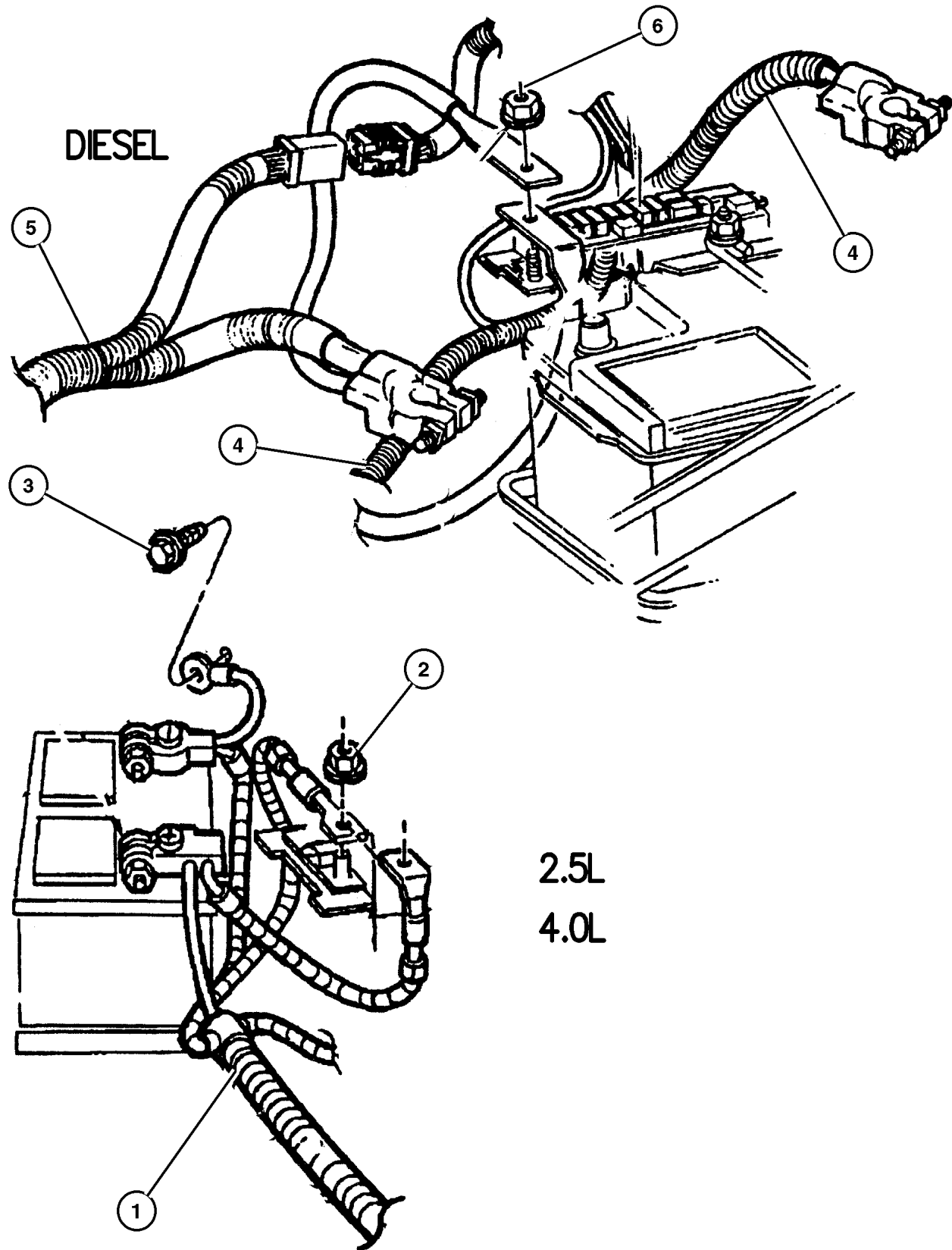
ITEM	PART NUMBER	QTY	LINE	SERIES	BODY	ENGINE	TRANS	DESCRIPTION
EP0=2.5L Engine manual, 12 Disc Magazine.								
ER0=4.0L Engine manual, 12 Disc Magazine.								
EN0=4Cylinder Turbo Engine manual, 12 Disc Magazine.								
1								TRAY, Battery
	5517 4970	1				EN0		
	55235 819AA	1				EP0, ER0		
2								NUT, U Type Multi Thread, M8 x 1.25, (NOT SERVICED)
3	1150 2693	1				EN0		BOLT, Hex Flange Head, M8-1.25x20.0
4								NUT AND CONED WASHER, M8x1.25, (NOT SERVICED)
5								BRACKET, Battery Hold Down
	5501 0722	1				EP0, ER0		
	5501 1012	1				EN0		
6	55014 375AB	2						BOLT, J, M8x1.25x192
7								RETAINER, Battery Hold Down, (NOT SERVICED)
8	5534 6107	1				EP0, ER0		STRAP, Battery
9	6101 809	2						NUT AND WASHER, Hex, M8x1.25
10	6101 455	1						SCREW AND WASHER, Hex Head, M6x1x20
11								COVER, Battery
	5517 6267	1				EN0		
	56041 001AB	1				EP0, ER0		
12								SENSOR, Battery Temperature
	5602 7332	1				EP0, ER0		
	5604 1053	1				EN0		

JEEP CHEROKEE (XJ)				
SERIES	LINE	BODY	ENGINE	TRANSMISSION
P=Classic	J=LHD (4WD)	74=4 Dr.(101.4WB)	ENC,EN0=2.5L 4 cyl. Turbo Die	DDD, DDQ=5 spd. Man.
S=Limited	U=RHD (4WD)	72=2 Dr.(101.4WB)	ERH,ER0=4.0L Power Tech I-6	DGS=4 spd. Auto. AISIN
H=Sport	T=LHD (2WD)		EPE,EP0=Magnum 2.5L SMPI	DG0=All Auto/Trans.
L=SE	B=RHD (2WD)			DBB=All Manual Trans.

AR = Use as required - = Non illustrated part # = New this model year

April 5, 2002

**Battery Cables**  
**Figure 008-1010**



ITEM	PART NUMBER	QTY	LINE	SERIES	BODY	ENGINE	TRANS	DESCRIPTION
------	-------------	-----	------	--------	------	--------	-------	-------------

EP0=2.5L Engine manual, 12 Disc Magazine.  
 ER0=4.0L Engine manual, 12 Disc Magazine.  
 EN0=4Cylinder Turbo Engine manual, 12 Disc Magazine.

1								WIRING, Battery
	56009 782AD	1	J, T			EP0		
	56009 783AD	1				ER0		
	56009 784AD	1	B, U			EP0		
2	6035 723	1						NUT AND WASHER, Hex Nut-E Teeth Washer, .312-18
3	0154 554	1						SCREW, Self Piercing, .25-14x.625
4	5600 9787	1				EN0		WIRING, Battery Negative
5	#56009 785AD	1				EN0		WIRING, Battery Positive
6								NUT, Hex Flange Lock, M6x1
	6502 691	1				EP0		
		1				ER0		
		1				EN0		

JEEP CHEROKEE (XJ)				
SERIES	LINE	BODY	ENGINE	TRANSMISSION
P=Classic	J=LHD (4WD)	74=4 Dr.(101.4WB)	ENC,EN0=2.5L 4 cyl. Turbo Die	DDD, DDQ=5 spd. Man.
S=Limited	U=RHD (4WD)	72=2 Dr.(101.4WB)	ERH,ER0=4.0L Power Tech I-6	DGS=4 spd. Auto. AISIN
H=Sport	T=LHD (2WD)		EPE,EP0=Magnum 2.5L SMPI	DG0=All Auto/Trans.
L=SE	B=RHD (2WD)			DBB=All Manual Trans.

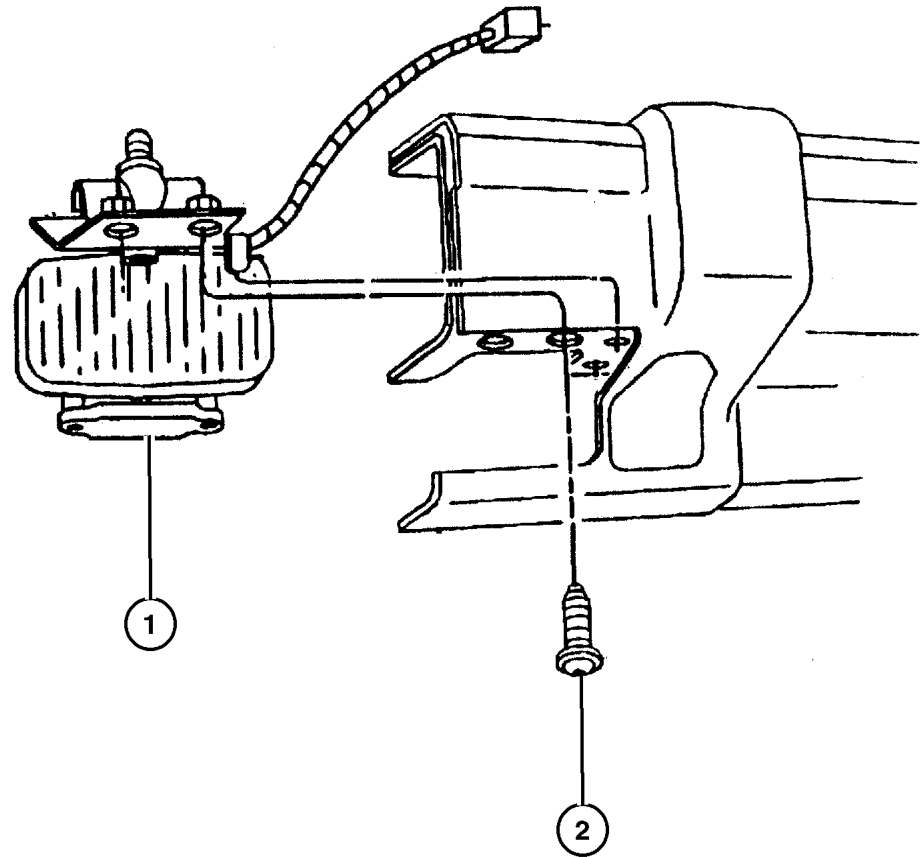
AR = Use as required - = Non illustrated part # = New this model year

April 5, 2002



Lamps Fog  
Figure 008-1135

ITEM	PART NUMBER	QTY	LINE	SERIES	BODY	ENGINE	TRANS	DESCRIPTION
1								LAMP AND BRACKET, Off Road Lamp
	55055 274AB	1						Right
	55055 275AB	1						Left
2								SCREW, Round Head, M8x1.25x30, (NOT SERVICED)
-3	4728 646	1						BULB PACKAGE, 55 Watt

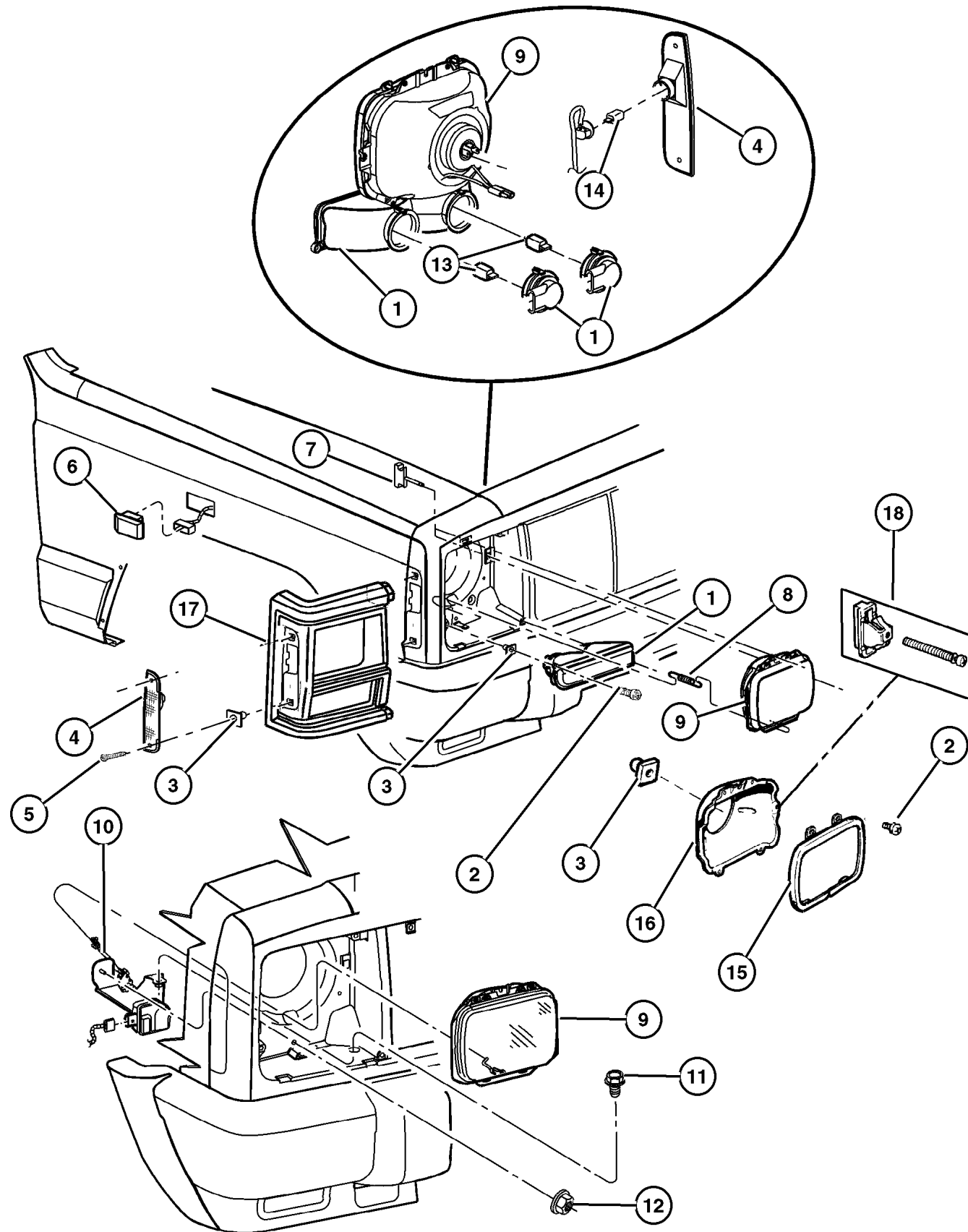


JEEP CHEROKEE (XJ)				
SERIES	LINE	BODY	ENGINE	TRANSMISSION
P=Classic	J=LHD (4WD)	74=4 Dr.(101.4WB)	ENC,EN0=2.5L 4 cyl. Turbo Die	DDD, DDQ=5 spd. Man.
S=Limited	U=RHD (4WD)	72=2 Dr.(101.4WB)	ERH,ER0=4.0L Power Tech I-6	DGS=4 spd. Auto. AISIN
H=Sport	T=LHD (2WD)		EPE,EP0=Magnum 2.5L SMPI	DG0=All Auto/Trans.
L=SE	B=RHD (2WD)			DBB=All Manual Trans.

AR = Use as required - = Non illustrated part # = New this model year

April 5, 2002

## Lamps Front Figure 008-1140



ITEM	PART NUMBER	QTY	LINE	SERIES	BODY	ENGINE	TRANS	DESCRIPTION
1								LAMP, Park and Turn Signal
	5505 5142	1						Right
	5505 5143	1						Left
2	3420 1230	4						SCREW, Round Washer Head AB
3	6035 657	4						NUT, Plastic Snap-In, For .164-15 Screw
4								LAMP, Side Marker
	5505 5146	1						USA, Mexico & Canada, Right
	5505 5147	1						USA, Mexico & Canada, Left
	5505 5148	1						Europe, Right
	5505 5149	1						Europe, Left
5								SCREW, Pan Head, M4.2x1.41x20, (NOT SERVICED)
6	5505 5014	2						LAMP, Side Repeater, Europe
7	55054 621AB	4						SCREW AND NUT, Headlamp Adjustment
8	3600 0885	2						SPRING, Headlamp Adjusting
9								HEADLAMP
	55055 296AE	1		B, U				Europe with out Leveling, Right
	55055 297AE	1		B, U				Europe with out Leveling, Left
	55055 298AE	1		J, T				Europe with Leveling, Right
	55055 299AE	1		J, T				Europe with Leveling, Left
	55055 302AE	1		J, T				Europe with out Leveling (Clear), Right
	55055 303AE	1		J, T				Europe with out Leveling (Clear), Left
	55055 300AF	1						Domestic with out Leveling (Type 2B1), Right
	55055 301AF	1						Domestic with out Leveling (Type 2B1), Left
	55155 330AE	1		B, U				Europe with Leveling, Right
	55155 331AE	1		B, U				Europe with Leveling, Left
10								ACTUATOR, Headlamp
	55055 240AC	1						Right
	55055 241AC	1						Left
11	6101 455	2						SCREW AND WASHER, Hex Head, M6x1x20
12	6100 044	2						NUT AND WASHER, Hex, m5x0.80
13	L000 3157	4						BULB, 3157, Front Park/Turn Signal
14	L000 0168	2						BULB, 168, Front Side Marker Lamp
15								RETAINER, Headlamp Bulb
	4897 198AA	1		J, T				without Leveling
		1		B, U				without Leveling
	4897 199AC	1		B, U				with Leveling
		1		J, T				with Leveling
16								SEAT, Headlamp

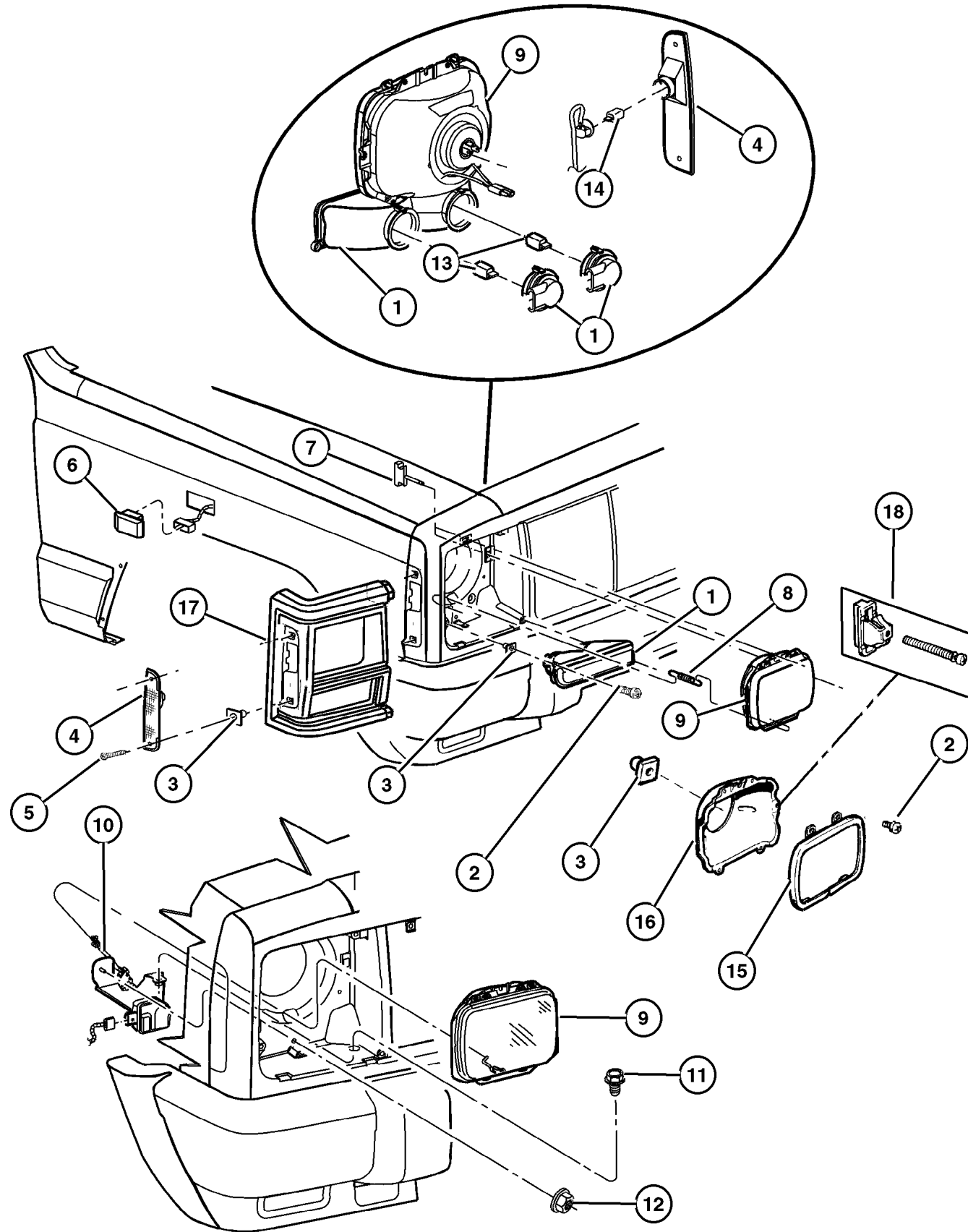
### JEEP CHEROKEE (XJ)

SERIES	LINE	BODY	ENGINE	TRANSMISSION
P=Classic	J=LHD (4WD)	74=4 Dr.(101.4WB)	ENC,EN0=2.5L 4 cyl. Turbo Die	DDD, DDQ=5 spd. Man.
S=Limited	U=RHD (4WD)	72=2 Dr.(101.4WB)	ERH,ER0=4.0L Power Tech I-6	DGS=4 spd. Auto. AISIN
H=Sport	T=LHD (2WD)		EPE,EP0=Magnum 2.5L SMPI	DG0=All Auto/Trans.
L=SE	B=RHD (2WD)			DBB=All Manual Trans.

AR = Use as required - = Non illustrated part # = New this model year

April 5, 2002

Lamps Front  
Figure 008-1140



ITEM	PART NUMBER	QTY	LINE	SERIES	BODY	ENGINE	TRANS	DESCRIPTION
	4897 196AB	1						Right
	4897 197AB	1						Left
17								BEZEL, Headlamp
	5EM7 2SW1	1						P.A.R. (Body Color), Right
	5EM7 3SW1	1						P.A.R. (Body Color), Left
	5505 5136	1						Black, Right
	5505 5137	1						Black, Left
	#55156 030AA	1						Chrome, Right
	#55156 031AA	1						Chrome, Left
18	55054 621AB	4						SCREW AND NUT, Headlamp Adjustment
-19								BULB, Headlamp
	5505 4827	1	B, U					(Europe) Bulbs J3242537 & 4882328
	5600 0887	1	J, T					Included (Europe) Bulbs J3242537 & L0003893
-20								BULB, H4 Clear
	J324 2537	1	B, U					Europe
		1	J, T					Europe
-21	4882 328	1	B, U					BULB, 4 Watt - Bayonette Type, Europe
-22	L000 3893	1	J, T					BULB, T8/4, Europe
-23	0154 911AA	1						BULB, H6054BL, Domestic
-24								LABEL, Headlamp Leveling, (NOT SERVICED)

JEEP CHEROKEE (XJ)

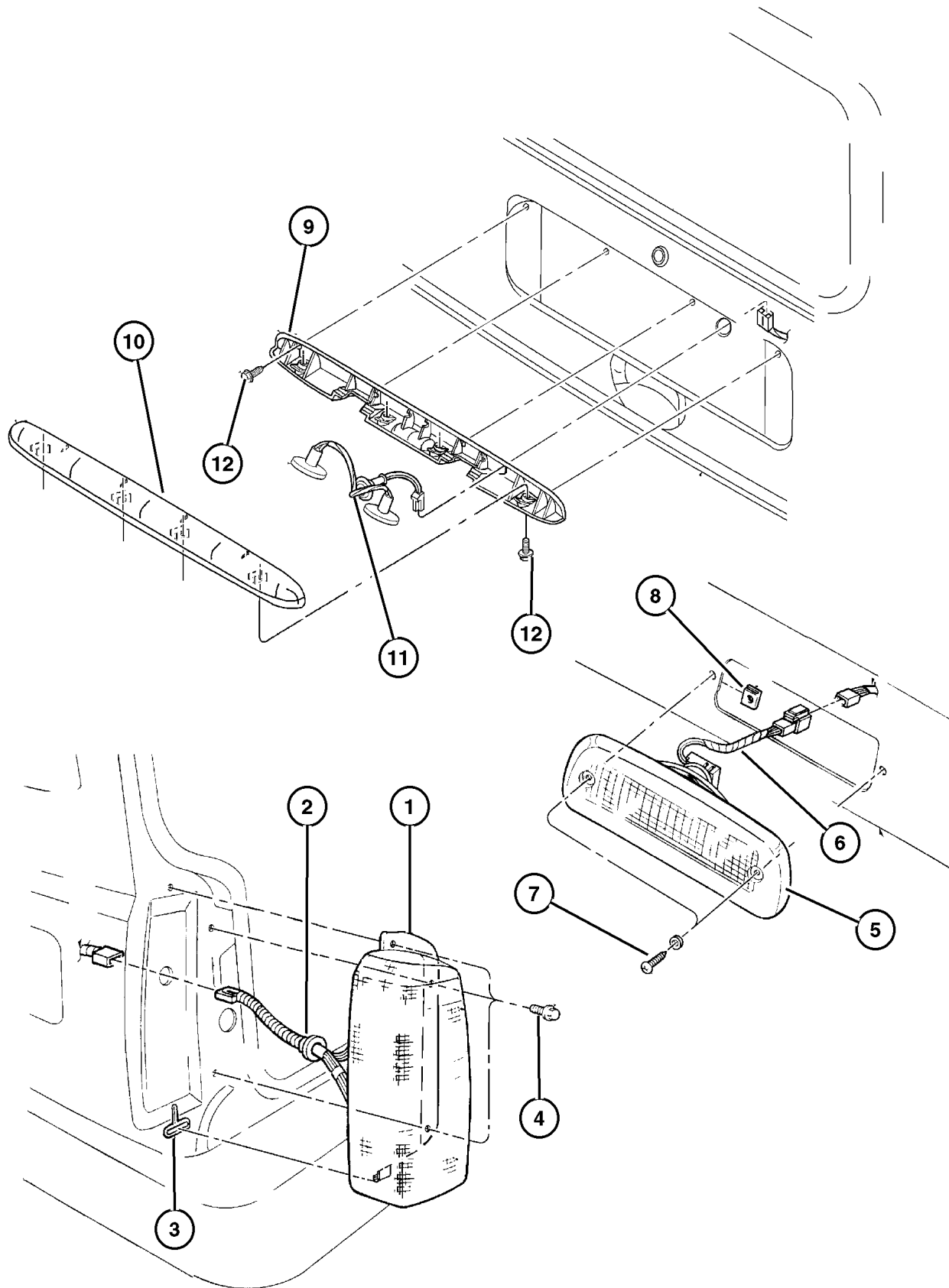
SERIES	LINE	BODY	ENGINE	TRANSMISSION
P=Classic	J=LHD (4WD)	74=4 Dr.(101.4WB)	ENC,EN0=2.5L 4 cyl. Turbo Die	DDD, DDQ=5 spd. Man.
S=Limited	U=RHD (4WD)	72=2 Dr.(101.4WB)	ERH,ER0=4.0L Power Tech I-6	DGS=4 spd. Auto. AISIN
H=Sport	T=LHD (2WD)		EPE,EP0=Magnum 2.5L SMPI	DG0=All Auto/Trans.
L=SE	B=RHD (2WD)			DBB=All Manual Trans.

AR = Use as required - = Non illustrated part # = New this model year

April 5, 2002

## Lamps Rear Figure 008-1155

ITEM	PART NUMBER	QTY	LINE	SERIES	BODY	ENGINE	TRANS	DESCRIPTION
1								LAMP, Tail Stop Turn
	4897 398AA	1						USA/CANADA (Right)
	4897 399AA	1						USA/CANADA (Left)
	4897 400AC	1						w/Export Equipment Package (Right)
	4897 401AC	1						w/Export Equipment Package (Left)
2								WIRING, Taillamp
	#56009 642AB	1						Europe
	#56009 770AB	1						
3	4676 350	2						GROMMET, Lamp
4	6504 016	6						SCREW AND WASHER, M6x20
5	55155 614AE	1						LAMP, High Mounted Stop
6	5600 8722	1						WIRING, High Mounted Stop Lamp
7								SCREW, .164-18x1.00, (NOT SERVICED)
8	6036 042AA	2						NUT/SPRING, Snap In, .164-18
9								LAMP, License Plate
	55155 613AB	1						w/Export Equipment Package
	55155 612AB	1						USA/CANADA
10								COVER, Lamp
	5FL86 DX9AB	1						P.A.R.
	#55156 011AC	1						Chrome
11								WIRING, License Lamp
	5600 9643	1						USA/CANADA
	56042 545AD	1						w/Export Equipment Package
12	6033 718	3						SCREW, Tapping, .19-16x.625
-13	L000 0168	2						BULB, 168
-14	0153 625	2						BULB, W10/5
-15	0154 851AA	4						BULB, 3157



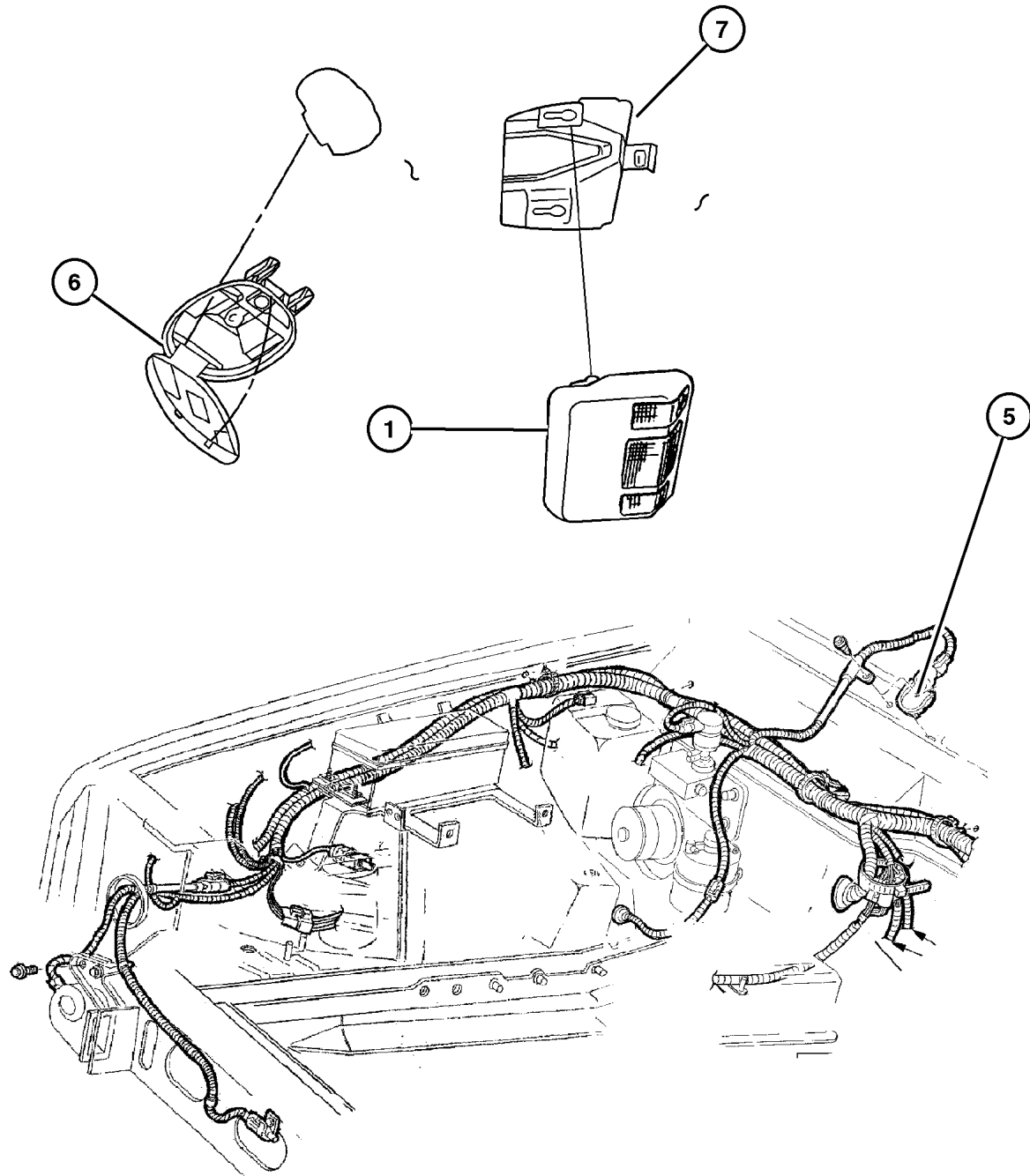
### JEEP CHEROKEE (XJ)

SERIES	LINE	BODY	ENGINE	TRANSMISSION
P=Classic	J=LHD (4WD)	74=4 Dr.(101.4WB)	ENC,EN0=2.5L 4 cyl. Turbo Die	DDD, DDQ=5 spd. Man.
S=Limited	U=RHD (4WD)	72=2 Dr.(101.4WB)	ERH,ER0=4.0L Power Tech I-6	DGS=4 spd. Auto. AISIN
H=Sport	T=LHD (2WD)		EPE,EP0=Magnum 2.5L SMPI	DG0=All Auto/Trans.
L=SE	B=RHD (2WD)			DBB=All Manual Trans.

AR = Use as required - = Non illustrated part # = New this model year

April 5, 2002

Lamps Cargo - Dome - Underhood  
Figure 008-1165



ITEM	PART NUMBER	QTY	LINE	SERIES	BODY	ENGINE	TRANS	DESCRIPTION
1								LAMP, Dome And Reading
	5GJ32 HW8AE	1						Light Quartz (w/Lens)
	5GJ32 RK5AE	1						Tan/Agate (w/Lens)
-2	56042 072AB	1						LENS, Reading Lamp
-3	L000 0561	1						BULB, 561
-4								LAMP, Cargo
	5FY15 HW8AA	1						Quartz
	5FY15 RK5AA	1						Tan/Agate
5	5602 1441	1						LAMP, Underhood
6								LAMP, Dome
	JV76 HW8	1						Quartz
	JV76 RK5	1						Tan/Agate
7	55352 764AA	1						BRACKET, Dome Lamp
-8	L000 0906	2						BULB, 906
-9	55352 754AA	1						BRACKET, Dome Lamp, Front of Headliner

JEEP CHEROKEE (XJ)

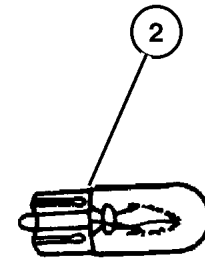
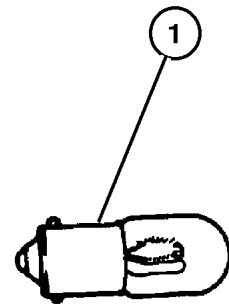
SERIES	LINE	BODY	ENGINE	TRANSMISSION
P=Classic	J=LHD (4WD)	74=4 Dr.(101.4WB)	ENC,EN0=2.5L 4 cyl. Turbo Die	DDD, DDQ=5 spd. Man.
S=Limited	U=RHD (4WD)	72=2 Dr.(101.4WB)	ERH,ER0=4.0L Power Tech I-6	DGS=4 spd. Auto. AISIN
H=Sport	T=LHD (2WD)		EPE,EP0=Magnum 2.5L SMPI	DG0=All Auto/Trans.
L=SE	B=RHD (2WD)			DBB=All Manual Trans.

AR = Use as required - = Non illustrated part # = New this model year

April 5, 2002

**Bulbs**  
**Figure 008-1170**

ITEM	PART NUMBER	QTY	LINE	SERIES	BODY	ENGINE	TRANS	DESCRIPTION
EP0=2.5L Engine manual, 12 Disc Magazine.								
ER0=4.0L Engine manual, 12 Disc Magazine.								
EN0=4Cylinder Turbo Engine manual, 12 Disc Magazine.								
DG0=Automatic Transmission manual, 12 Disc Magazine.								
DBB=Manual Transmission manual, 12 Disc Magazine.								
1	0154 851AA	4						BULB, 3157
2	L000 0168	2						BULB, 168
-3	L000 0561	1						BULB, 561
-4								BULB, 658
	L000 0658	2	J, U				DG0	
		1	B, T				DG0	
-5								BULB, 74
	L000 0074	1				EP0,		
						ER0		
		1				EN0		

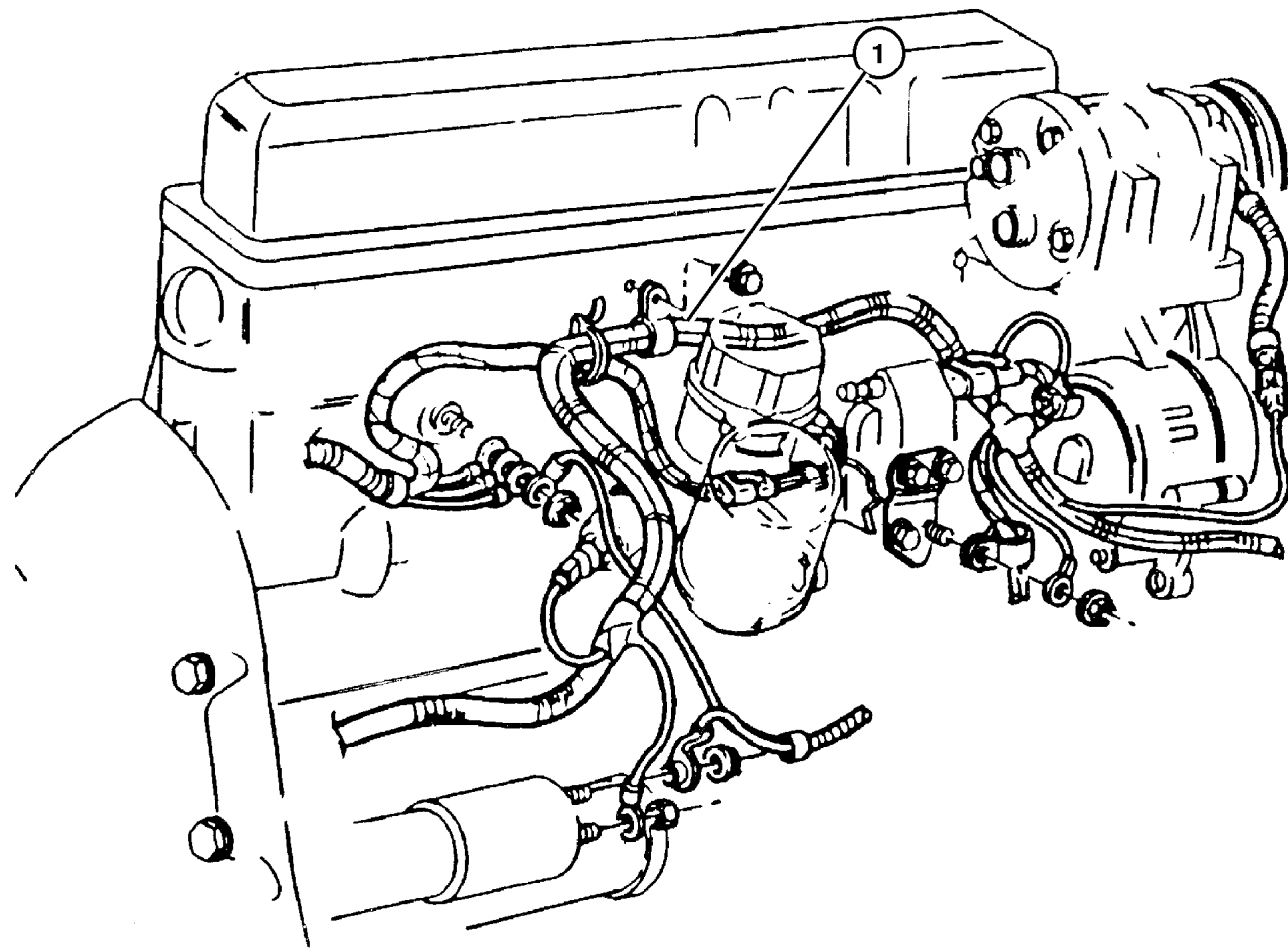


JEEP CHEROKEE (XJ)				
SERIES	LINE	BODY	ENGINE	TRANSMISSION
P=Classic	J=LHD (4WD)	74=4 Dr.(101.4WB)	ENC,EN0=2.5L 4 cyl. Turbo Die	DDD, DDQ=5 spd. Man.
S=Limited	U=RHD (4WD)	72=2 Dr.(101.4WB)	ERH,ER0=4.0L Power Tech I-6	DGS=4 spd. Auto. AISIN
H=Sport	T=LHD (2WD)		EPE,EP0=Magnum 2.5L SMPI	DG0=All Auto/Trans.
L=SE	B=RHD (2WD)			DBB=All Manual Trans.

AR = Use as required - = Non illustrated part # = New this model year

April 5, 2002

**Wiring Engine & Related Parts  
Figure 008-1210**



ITEM	PART NUMBER	QTY	LINE	SERIES	BODY	ENGINE	TRANS	DESCRIPTION
EP0=2.5L Engine manual, 12 Disc Magazine.								
ER0=4.0L Engine manual, 12 Disc Magazine.								
EN0=4 Cylinder Turbo Engine manual, 12 Disc Magazine.								
DG0=Automatic Transmission manual, 12 Disc Magazine.								
DBB=Manual Transmission manual, 12 Disc Magazine.								
1								WIRING, Engine
	#56009 771AE	1	B, T			EP0	DG0	2WD
	#56009 773AE	1	B, T			EP0	DBB	2WD
	#56009 774AE	1	J, U			EP0	DBB	231 Transfer Case
	#56009 781AC	1				EN0	DBB	Diesel Engine
	#56041 498AA	1	B, T			ER0		2WD (Federal/Leaded Fuel/Export & European III Emission)
	#56041 499AA	1	J, U			ER0	DG0	4WD w/ 231 or 242 Transfer Case (Federal/Leaded Fuel & Export Emission)
	#56041 500AA	1	J, U			ER0	DBB	4WD w/ 231 Transfer Case (Federal/Leaded Fuel & Export Emission)
	#56041 501AA	1	B, T			ER0		2WD (California & Europe Emission)
	#56041 502AA	1	J, U			ER0	DG0	4WD w/231 or 242 Transfer Case (California & Europe Emission)
	#56041 611AA	1	J, U			ER0	DBB	4WD w/231 Transfer Case (California & European III Emission)
-2	00AT M15	1						FUSE, Mini, 15 AMP, Light Blue
-3	00AT M10	1						FUSE, Mini, 10 AMP, Red
-4	00AT M20	1						FUSE, Mini, 20 AMP, Yellow
-5	00MA X30	4						FUSE, Maxi, 30 Amp, Green
-6	00MA X40	5						FUSE, Maxi, 40 AMP, Amber
-7	00MA X50	3						FUSE, Maxi, 50 AMP, Red
-8								COVER, Power Distribution Center
	#56038 361AD	AR						Top (Diesel Engine)
	#56038 363AC	AR						Top (2.5L/4.0L Engines)
	5603 8364	1						Bottom (All Engines)

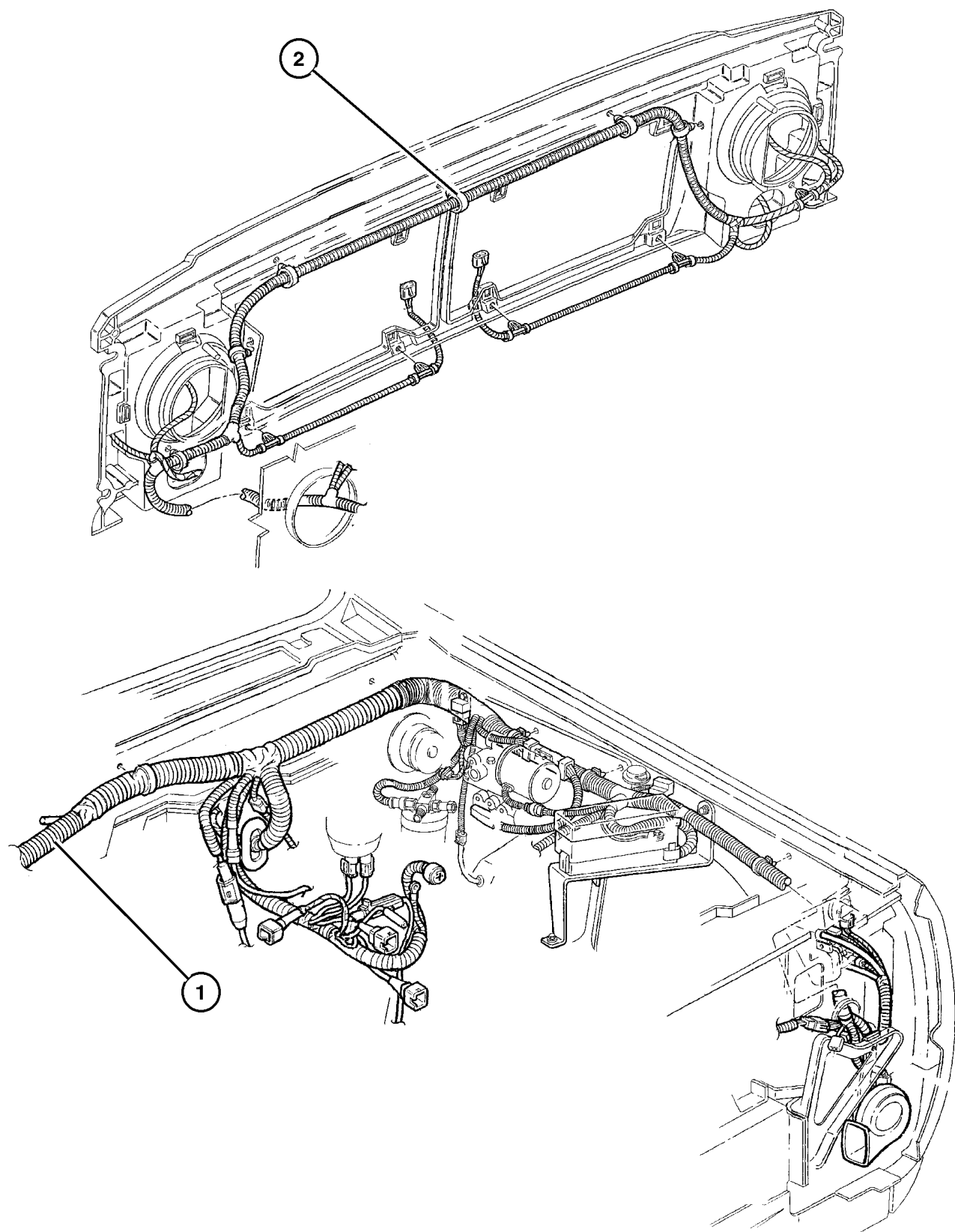
**JEEP CHEROKEE (XJ)**

SERIES	LINE	BODY	ENGINE	TRANSMISSION
P=Classic	J=LHD (4WD)	74=4 Dr.(101.4WB)	ENC,EN0=2.5L 4 cyl. Turbo Die	DDD, DDQ=5 spd. Man.
S=Limited	U=RHD (4WD)	72=2 Dr.(101.4WB)	ERH,ER0=4.0L Power Tech I-6	DGS=4 spd. Auto. AISIN
H=Sport	T=LHD (2WD)		EPE,EP0=Magnum 2.5L SMPI	DG0=All Auto/Trans.
L=SE	B=RHD (2WD)			DBB=All Manual Trans.

AR = Use as required - = Non illustrated part # = New this model year

April 5, 2002

**Wiring Headlamp / Dash  
Figure 008-1310**



ITEM	PART NUMBER	QTY	LINE	SERIES	BODY	ENGINE	TRANS	DESCRIPTION
EP0=2.5L Engine manual, 12 Disc Magazine.								
ER0=4.0L Engine manual, 12 Disc Magazine.								
EN0=4 Cylinder Turbo Engine manual, 12 Disc Magazine.								
DG0=Automatic Transmission manual, 12 Disc Magazine.								
DBB=Manual Transmission manual, 12 Disc Magazine.								
1								WIRING, Headlamp to Dash
	#56009 737AF	1	J, T			EP0		w/Daytime Running Lights
	#56009 738AF	1	J, T			EP0		w/o Daytime Running Lights
	#56009 739AF	1	J, T			ER0	DG0	w/o Daytime Running Lights & w/ABS
	#56009 740AF	1	J, T			ER0	DG0	w/Daytime Running Lights & w/o ABS
	#56009 741AF	1	J, T			ER0	DG0	w/Daytime Running Lights & w/ABS
	#56009 742AF	1	J, T			ER0	DG0	w/o Daytime Running Lights, ABS, Foglamp, H/Lamp Leveling & w/o 6 Infinity Speaker System
	#56009 743AF	1	J, T			ER0	DG0	w/Daytime Running Lights, H/Lamp Leveling, 6 Infinity Speaker System & w/o Foglamp & ABS,
	#56009 744AF	1	J, T			ER0	DBB	w/o Daytime Running Lights & w/ABS
	#56009 745AF	1	J, T			ER0	DBB	w/Daytime Running Lights & w/o ABS
	#56009 746AF	1	J, T			ER0	DBB	w/Daytime Running Lights & w/ABS
	#56009 747AF	1	J, T			ER0	DBB	w/o Daytime Running Lights & w/o ABS
	#56009 748AF	1	B, U			EP0	DBB	
	#56009 749AF	1	B, U			ER0	DG0	w/o ABS
	#56009 750AF	1	B, U			ER0	DG0	w/ABS
	#56009 751AG	1	U			EN0		w/ABS
	#56009 752AG	1	B, U			EN0		w/o ABS
	#56009 753AF	1	J			EN0		w/ABS
	#56009 754AF	1	J			EN0		w/o ABS
2								WIRING, Front End Lighting
	56007 628AE	1						w/ or w/o H/Lamp Leveling
	56007 684AD	1						w/o H/Lamp Leveling & w/o Foglamp
	56007 686AE	1						w/o H/Lamp Leveling
	56007 687AB	1						w/ or w/o Foglamp & w/o Headlamp Leveling
-3	56007 685AB	2						WIRING, Turn Signal Lamp
-4								COVER, Power Distribution Center
	#56038 361AD	AR						Export
	#56038 363AC	AR						

**JEEP CHEROKEE (XJ)**

SERIES	LINE	BODY	ENGINE	TRANSMISSION
P=Classic	J=LHD (4WD)	74=4 Dr.(101.4WB)	ENC,EN0=2.5L 4 cyl. Turbo Die	DDD, DDQ=5 spd. Man.
S=Limited	U=RHD (4WD)	72=2 Dr.(101.4WB)	ERH,ER0=4.0L Power Tech I-6	DGS=4 spd. Auto. AISIN
H=Sport	T=LHD (2WD)		EPE,EP0=Magnum 2.5L SMPI	DG0=All Auto/Trans.
L=SE	B=RHD (2WD)			DBB=All Manual Trans.

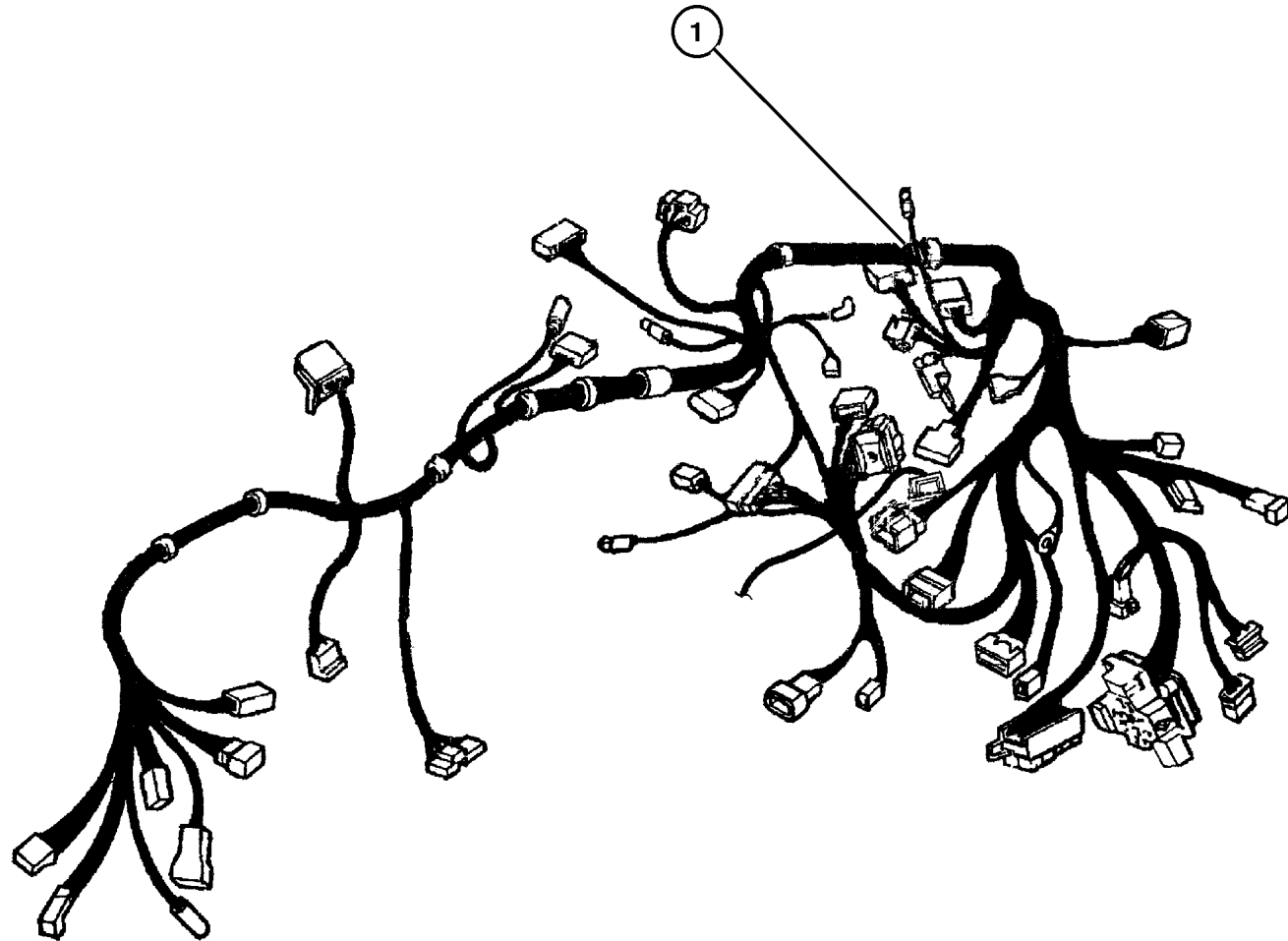
AR = Use as required - = Non illustrated part # = New this model year

April 5, 2002



**Wiring Instrument Panel  
Figure 008-1410**

ITEM	PART NUMBER	QTY	LINE	SERIES	BODY	ENGINE	TRANS	DESCRIPTION
1								WIRING, Instrument Panel
	56009 791AI	1	J, T					USA/CANADA
	56009 795AI	1	J					EUROPE
	56009 797AI	1	J, T					w/Police Package
	#56009 798AK	1	B, U					w/Postal Package
	#56009 799AM	1	U					w/o Postal Package
	#56009 802AH	1	J, T					I/Panel Floor
-2	5601 7442	2						WIRING, Courtesy Lamp
-3	56009 715AB	1						COVER, Fuse Access
-4	56007 573AE	1						JUNCTION BLOCK, Multifunction Module



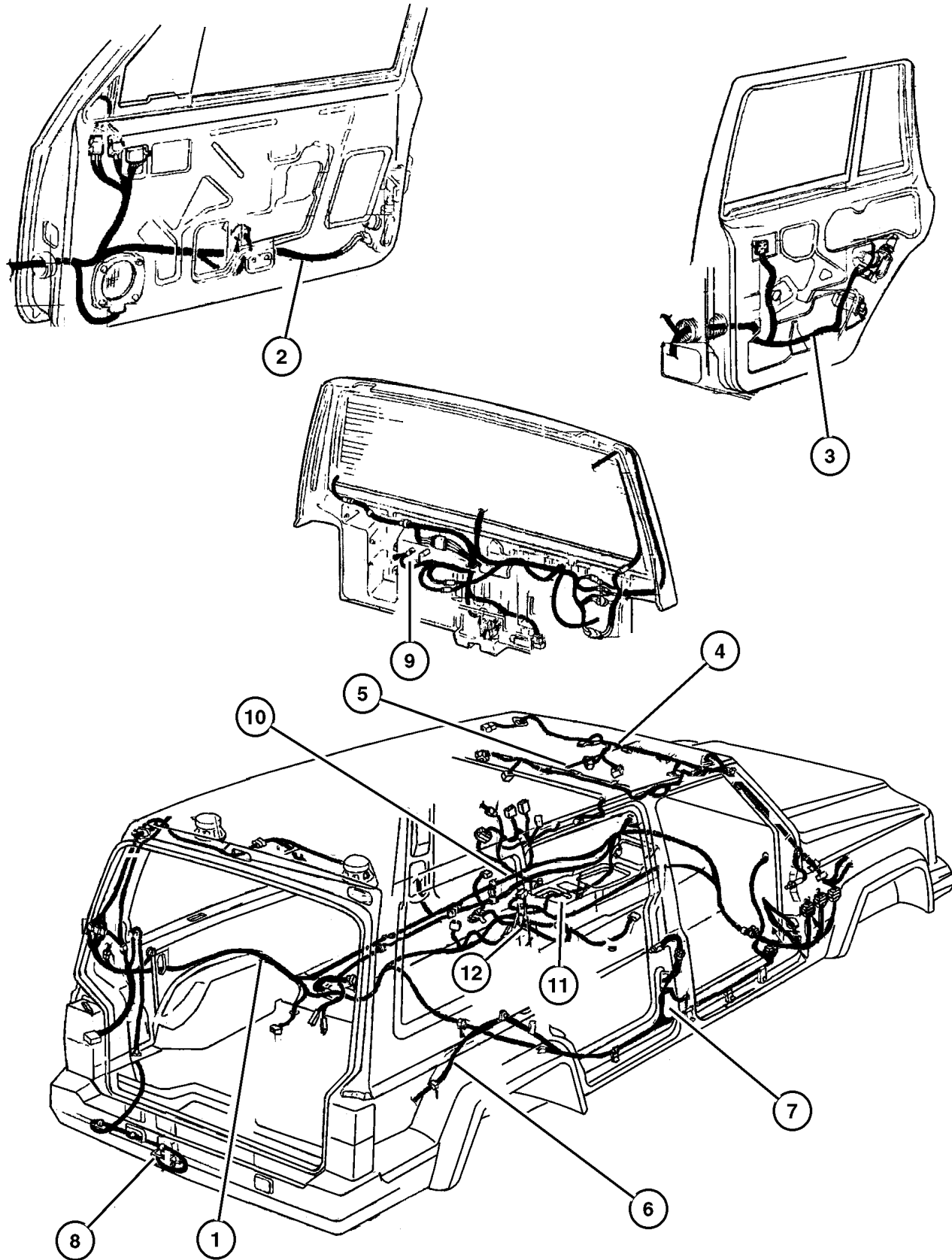
<b>JEEP CHEROKEE (XJ)</b>				
SERIES	LINE	BODY	ENGINE	TRANSMISSION
P=Classic	J=LHD (4WD)	74=4 Dr.(101.4WB)	ENC,EN0=2.5L 4 cyl. Turbo Die	DDD, DDQ=5 spd. Man.
S=Limited	U=RHD (4WD)	72=2 Dr.(101.4WB)	ERH,ER0=4.0L Power Tech I-6	DGS=4 spd. Auto. AISIN
H=Sport	T=LHD (2WD)		EPE,EP0=Magnum 2.5L SMPI	DG0=All Auto/Trans.
L=SE	B=RHD (2WD)			DBB=All Manual Trans.

AR = Use as required - = Non illustrated part # = New this model year

April 5, 2002

**Wiring Body & Accessory**  
**Figure 008-1510**

ITEM	PART NUMBER	QTY	LINE	SERIES	BODY	ENGINE	TRANS	DESCRIPTION
1								WIRING, Body
	56009 808AH	1	J, T					Base Model, Left Hand Drive
	56009 810AH	1	J, T					w/Power Locks & w/o Premium Sound System
	56009 811AH	1	J, T					w/Premium Sound System
2								WIRING, Door
	56009 819AB	1						Base Model, Left Door
	56009 820AE	1	J, T					w/Power Mirrors, Left Door
	56009 821AE	1	J, T					w/Power Locks, Left Door
	56009 823AE	1	B, U					w/Power Locks, Left Door
	56009 824AE	1	B, U					w/Power Mirrors, Left Door
	56009 826AB	1						Base Model, Right Door
	56009 827AE	1	J, T					w/Power Mirrors, Right Door
	56009 828AE	1	J, T					w/Power Locks, Right Door
	56009 830AE	1	B, U					w/Power Locks, Right Door
	56009 831AE	1	B, U					w/Power Mirrors, Right Door
3	56009 806AE	2			74			WIRING, Rear Door, w/Power Locks
4								WIRING, Overhead Console
	4882 780	1						Type II w/Keyless Entry System-Type I
		1						Type II w/Keyless Entry System w/ Immobilizer
5	56009 757AD	1						WIRING, Dome Lamp, Base Model w/ Overhead Console
6	56009 816AD	1						WIRING, Body to Liftgate
7	5600 9804	2			74			WIRING, Door Jumper, Courtesy Lamp Switch (Model 74)
8	5600 9832	1						WIRING, Trailer Tow
9	56009 760AD	1						WIRING, Liftgate
10								WIRING, Power Seat
	#56008 712AC	1	B, U		74			with Power Seats, Left
		1	J, T		74			with Power Seats, Left
	#56008 713AC	1	B, U		74			with Power Seats, Right
		1	J, T		74			with Power Seats, Right
	#56009 841AC	1						with Power and Heated Seats
	56010 286AA	1						Europe
11								WIRING, Console
	56009 793AC	1	B, T				DG0	
		1	J, U				DBB	
12	56009 839AB	1						WIRING, Anti-lock Brake
-13	5503 4132	2						CONDUIT, Door Harness



**JEEP CHEROKEE (XJ)**

SERIES	LINE	BODY	ENGINE	TRANSMISSION
P=Classic	J=LHD (4WD)	74=4 Dr.(101.4WB)	ENC,EN0=2.5L 4 cyl. Turbo Die	DDD, DDQ=5 spd. Man.
S=Limited	U=RHD (4WD)	72=2 Dr.(101.4WB)	ERH,ER0=4.0L Power Tech I-6	DGS=4 spd. Auto. AISIN
H=Sport	T=LHD (2WD)		EPE,EP0=Magnum 2.5L SMPI	DG0=All Auto/Trans.
L=SE	B=RHD (2WD)			DBB=All Manual Trans.

AR = Use as required - = Non illustrated part # = New this model year

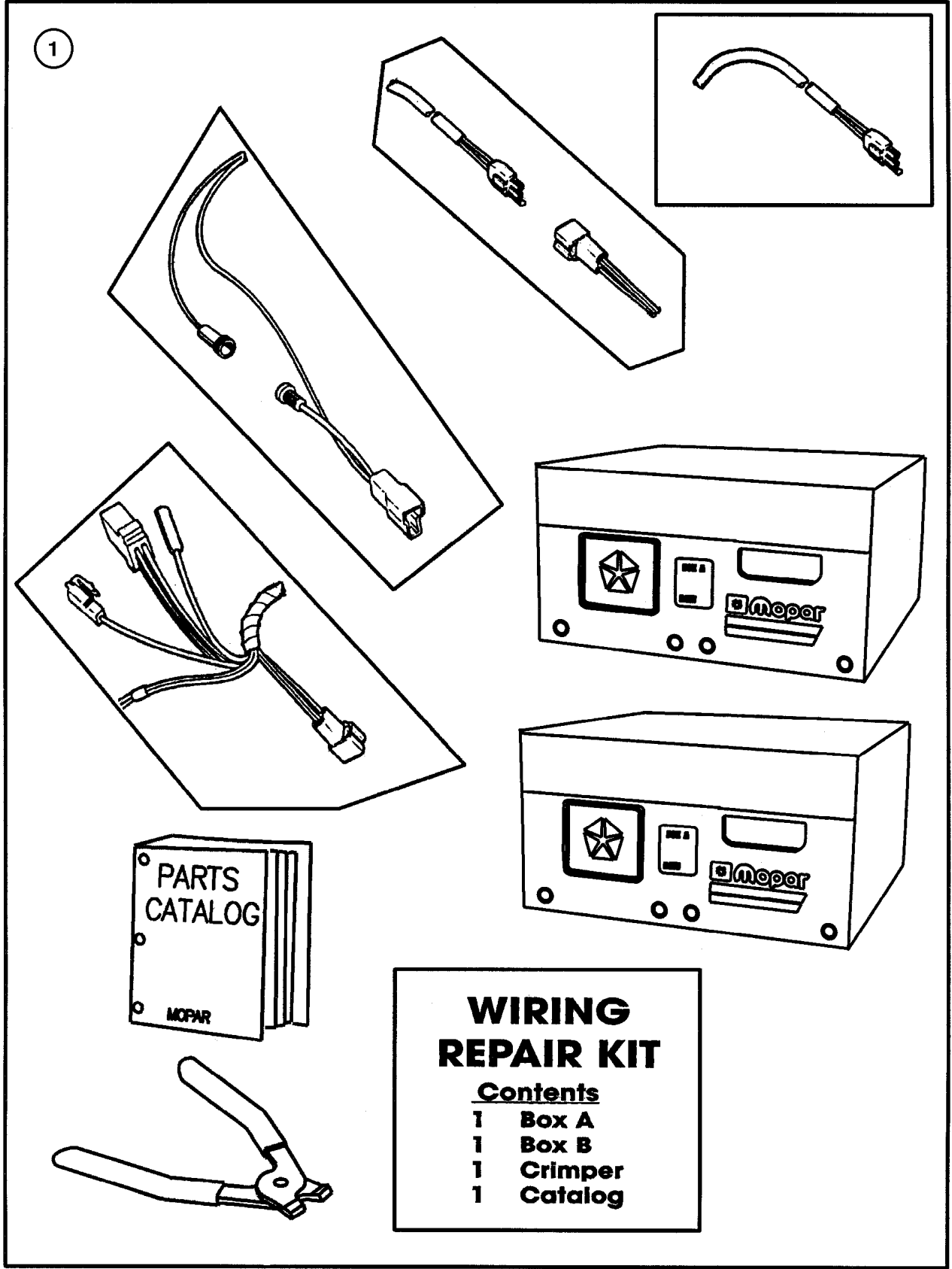
April 5, 2002

**Connector Repair Package  
Figure 008-1605**

ITEM	PART NUMBER	QTY	LINE	SERIES	BODY	ENGINE	TRANS	DESCRIPTION
------	-------------	-----	------	--------	------	--------	-------	-------------

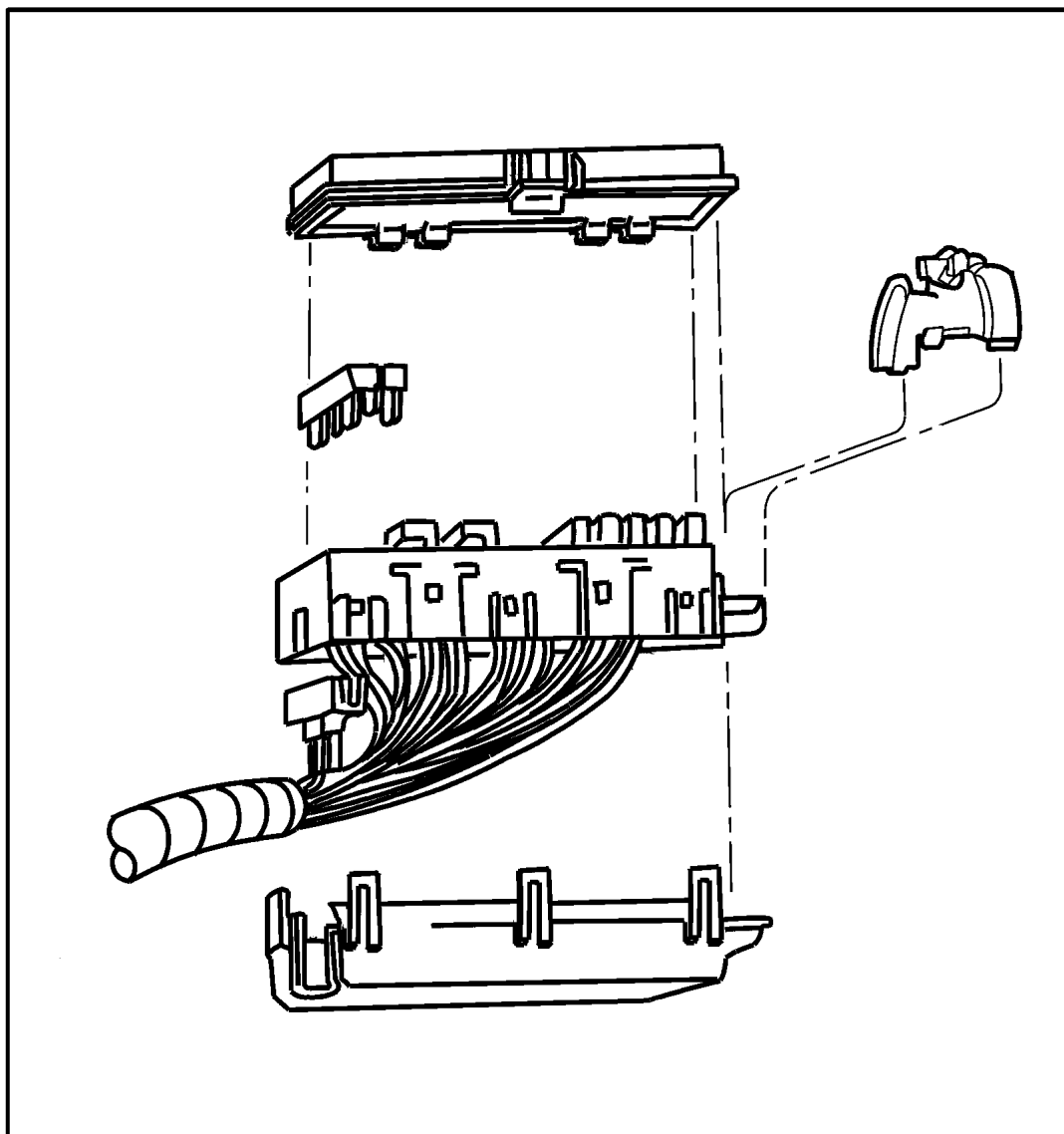
1	5013 930AB	1						WIRING PACKAGE, Underhood Connector Repair
-2	4863 839	1						CONNECTOR PACKAGE, Beam Select Switch


JEEP CHEROKEE (XJ)				TRANSMISSION
SERIES	LINE	BODY	ENGINE	
P=Classic	J=LHD (4WD)	74=4 Dr.(101.4WB)	ENC,EN0=2.5L 4 cyl. Turbo Die	DDD, DDQ=5 spd. Man.
S=Limited	U=RHD (4WD)	72=2 Dr.(101.4WB)	ERH,ER0=4.0L Power Tech I-6	DGS=4 spd. Auto. AISIN
H=Sport	T=LHD (2WD)		EPE,EP0=Magnum 2.5L SMPI	DG0=All Auto/Trans.
L=SE	B=RHD (2WD)			DBB=All Manual Trans.



**Power Distribution Center Repair  
Figure 008-1615**

ITEM	PART NUMBER	QTY	LINE	SERIES	BODY	ENGINE	TRANS	DESCRIPTION
1	5014 460AB	1						REPAIR KIT, Power Distribution Center



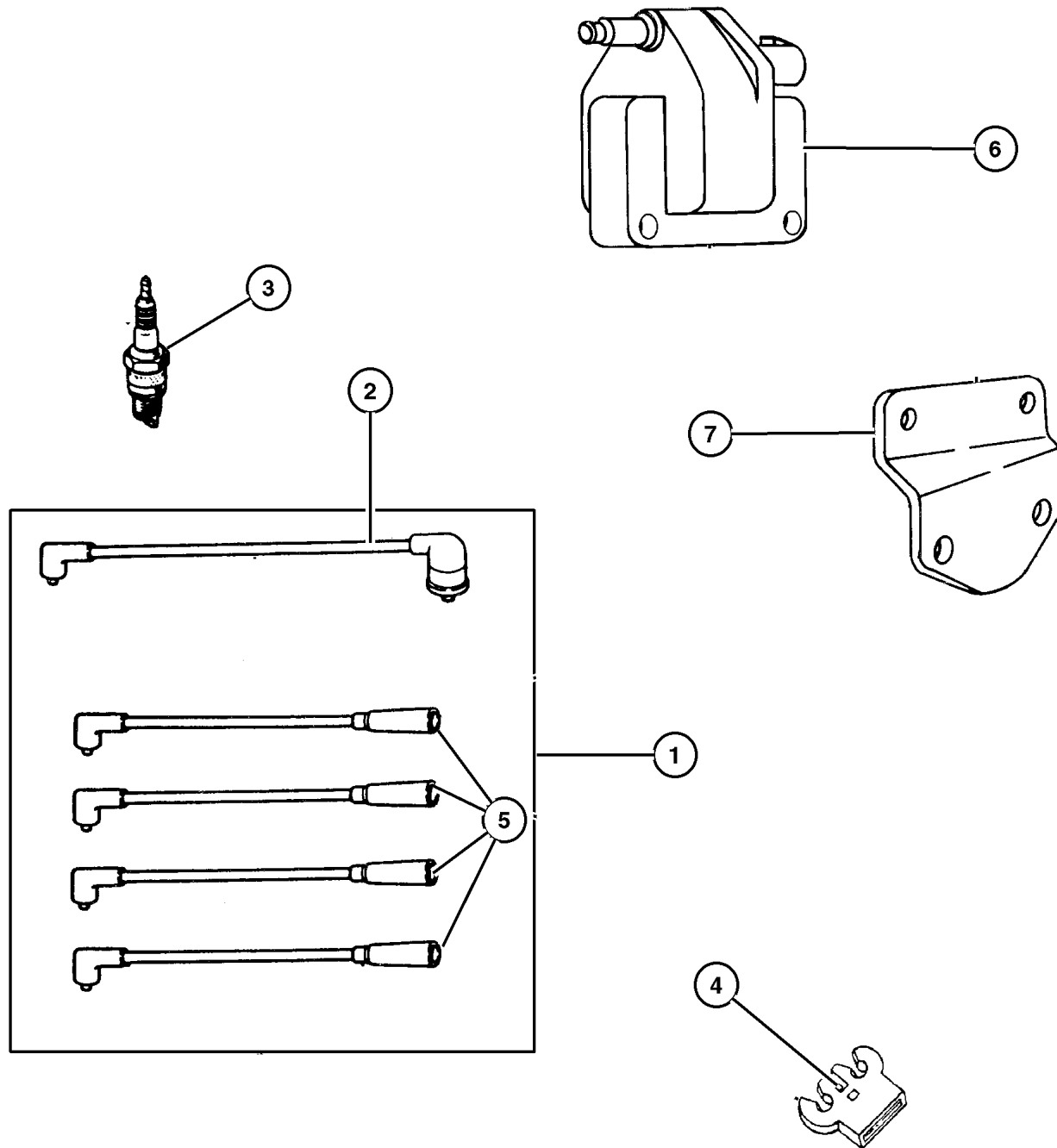
1

JEEP CHEROKEE (XJ)		BODY	ENGINE	TRANSMISSION
SERIES	LINE			
P=Classic	J=LHD (4WD)	74=4 Dr.(101.4WB)	ENC,EN0=2.5L 4 cyl. Turbo Die	DDD, DDQ=5 spd. Man.
S=Limited	U=RHD (4WD)	72=2 Dr.(101.4WB)	ERH,ER0=4.0L Power Tech I-6	DGS=4 spd. Auto. AISIN
H=Sport	T=LHD (2WD)		EPE,EP0=Magnum 2.5L SMPI	DG0=All Auto/Trans.
L=SE	B=RHD (2WD)			DBB=All Manual Trans.

AR = Use as required - = Non illustrated part # = New this model year

April 5, 2002

## Spark Plug-Cables & Coil Figure 008-1905



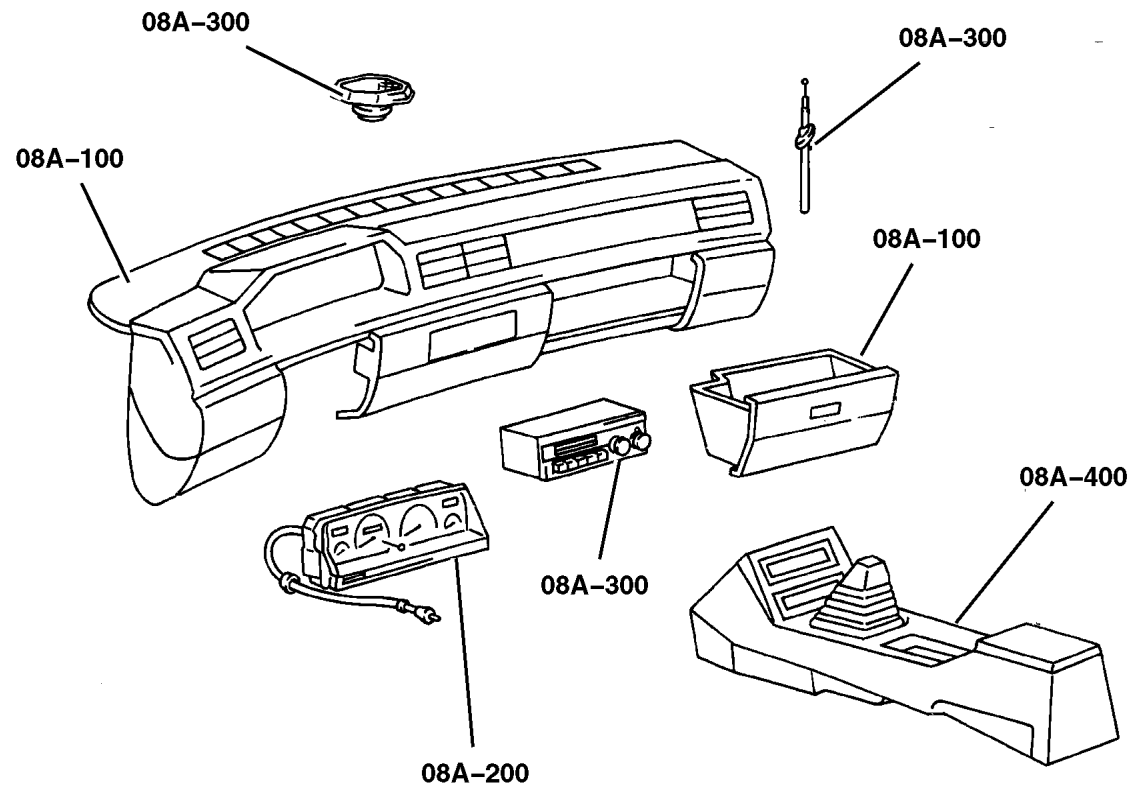
ITEM	PART NUMBER	QTY	LINE	SERIES	BODY	ENGINE	TRANS	DESCRIPTION
EP0=2.5L Engine manual, 12 Disc Magazine.								
ER0=4.0L Engine manual, 12 Disc Magazine.								
1	8350 7180	1				EP0		CABLE PACKAGE, Ignition
2	5602 7270	1				EP0		CABLE, Ignition Coil
3								SPARK PLUG
	SP0RC 12ECC	4				EP0		
		6				ER0		
4	5300 6579	1				EP0		SEPERATOR, Ignition Cable
5								CABLE, Ignition
	3300 7152	1				EP0		#1
	3300 7153	1				EP0		#3
		1				EP0		#2
	3300 7157	1				EP0		#4
6								COIL, Ignition
	5602 8172	1				EP0		
	#56041 476AA	1				ER0		Coil Pack
7	5300 8702	1				EP0		BRACKET, Ignition Coil
-8	6102 146AA	4				ER0		SCREW AND WASHER, Ignition Coil Mounting

JEEP CHEROKEE (XJ)				
SERIES	LINE	BODY	ENGINE	TRANSMISSION
P=Classic	J=LHD (4WD)	74=4 Dr.(101.4WB)	ENC,EN0=2.5L 4 cyl. Turbo Die	DDD, DDQ=5 spd. Man.
S=Limited	U=RHD (4WD)	72=2 Dr.(101.4WB)	ERH,ER0=4.0L Power Tech I-6	DGS=4 spd. Auto. AISIN
H=Sport	T=LHD (2WD)		EPE,EP0=Magnum 2.5L SMPI	DG0=All Auto/Trans.
L=SE	B=RHD (2WD)			DBB=All Manual Trans.

AR = Use as required - = Non illustrated part # = New this model year

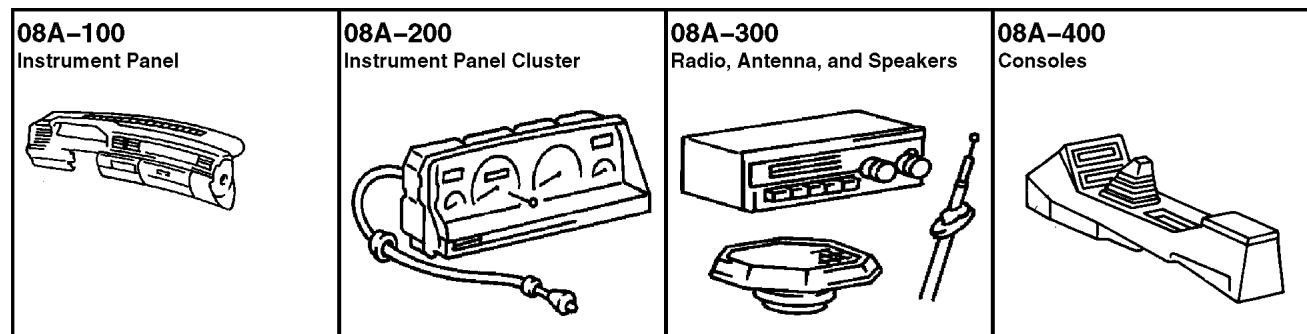
# Group – 08A

## Instrument Panel and Radios and Consoles

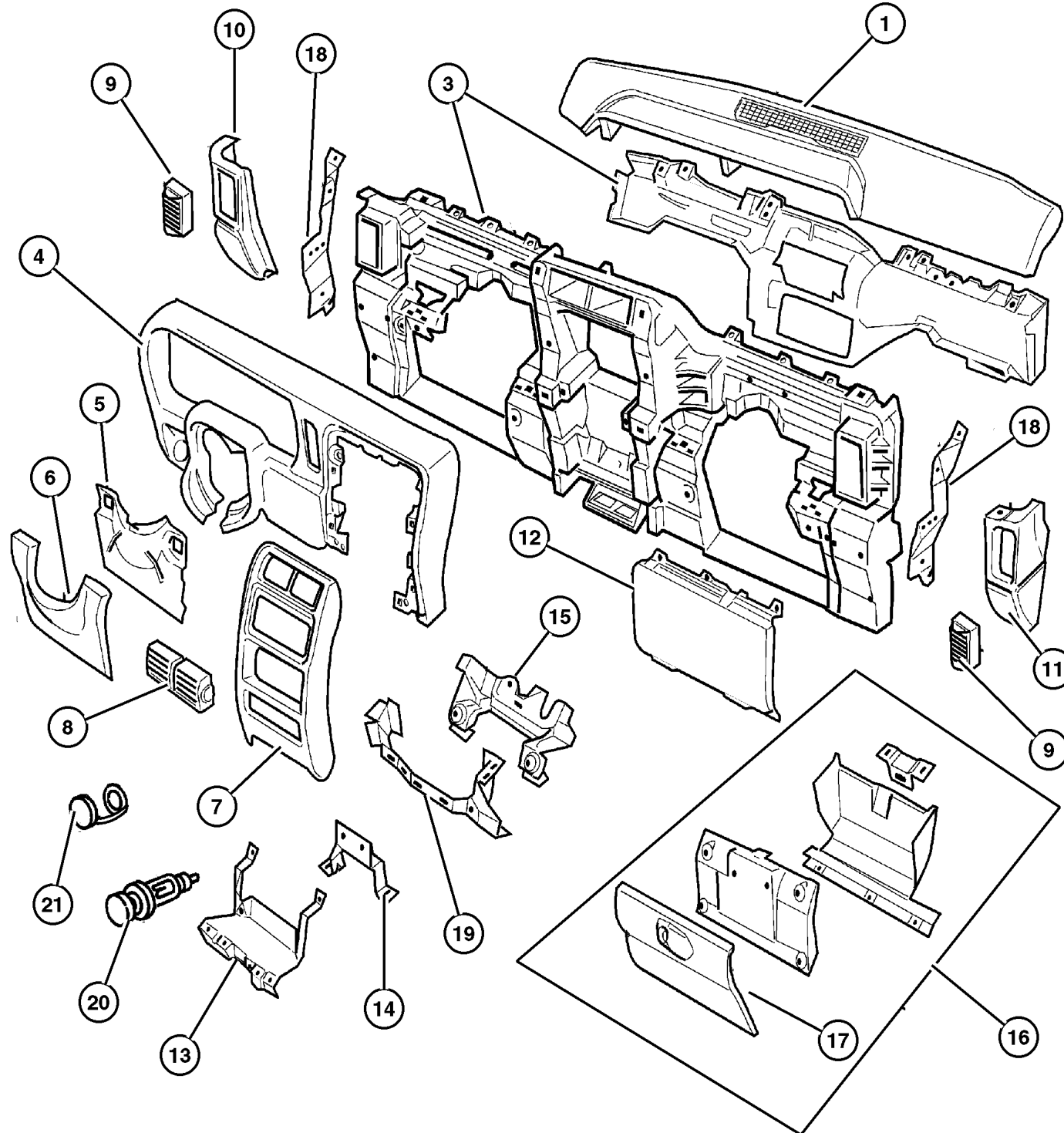


## GROUP 8A - Instrument Panel and Radios and Consoles

Illustration Title	Group-Fig. No.
<b>Instrument Panel</b>	
Pad & Bezel (LHD) .....	Fig. 08A-120
Pad & Bezels (RHD) .....	Fig. 08A-122
<b>Instrument Panel Cluster</b>	
Cluster .....	Fig. 08A-220
<b>Radio, Antenna, and Speakers</b>	
Radio .....	Fig. 08A-310
Speakers .....	Fig. 08A-320
Antenna .....	Fig. 08A-330
<b>Consoles</b>	
Floor Console .....	Fig. 08A-420
Overhead Console .....	Fig. 08A-450



**Pad & Bezel (LHD)  
Figure 08A-120**



ITEM	PART NUMBER	QTY	LINE	BODY	DESCRIPTION
1	5EB78 LAZAB	1	J, T		COVER, Instrument Panel, Agate
-2	5503 7354	7	J, T		CLIP, Panel, OTY. 07
3	4897 067AA	1	J, T		PANEL, Instrument Panel
4	5EJ84 LAZAC	1	J, T		BEZEL, Instrument Cluster 2.5L & 4.0L Engine (Agate)
5	5ER60 LAZAC	1	J, T		Diesel Engine (Agate)
5	55115 525AB	1			LINER, Steering Column Cover
6	5EJ9 2LAZ	1			COVER, Steering Column Agate
6	5EJ9 2RK5	1			Tan/Agate
7	5EB69 LAZAE	1			BEZEL, Instrument Panel, Center Black
7	5EN00 LAZAE	1			Agate/Woodgrain
8	5FS10 LAZAB	1			OUTLET, Air Conditioning & Heater, Agate, Center
9	5DP5 4TAZ	1	J, T		OUTLET, Air Conditioning & Heater Agate, Right
9	5DP5 5TAZ	1	J, T		Agate, Left
10	5EB77 1K5AC	1	J, T		CAP, Instrument Panel End Tan/Agate, Left
10	5EB77 LAZAC	1	J, T		Agate, Left
11	5EB76 1K5AC	1	J, T		CAP, Instrument Panel End Tan/Agate, Right
11	5EB76 LAZAC	1	J, T		Agate, Right
12	5GE02 LAZAA	1	J, T		AIR BAG, Passenger, Agate
13	55115 467AB	1	J, T		BRACKET, Air Bag
14	55115 489AB	1			BRACKET, Instrument Panel, I/P Floor Bracket To Floor
15	5511 5561	1	J, T		BRACKET, Instrument Cluster
16	5EB7 0LAZ	1	J, T		GLOVE BOX, Instrument Panel Agate
16	5EB7 0RK5	1	J, T		Tan/Agate
17					DOOR, Glove Box, Serviced w/Glovebox Assembly, (NOT SERVICED)
18					SUPPORT, Instrument Panel Right
18	55037 194AB	1	J, T		Left
18	55037 195AB	1	J, T		Right
19	55037 395AA	1	J, T		REINFORCEMENT, Instrument Panel
20	4685 536	1			KNOB AND ELEMENT, Cigar Lighter
21					POWER OUTLET, Cigar Lighter, Serviced in Switch Bezel (Item #27), (NOT SERVICED)
-22					BASE, Cigar Lighter, Serviced in Switch Bezel (Item #27), (NOT SERVICED)
-23					LABEL, Air Bag Warning

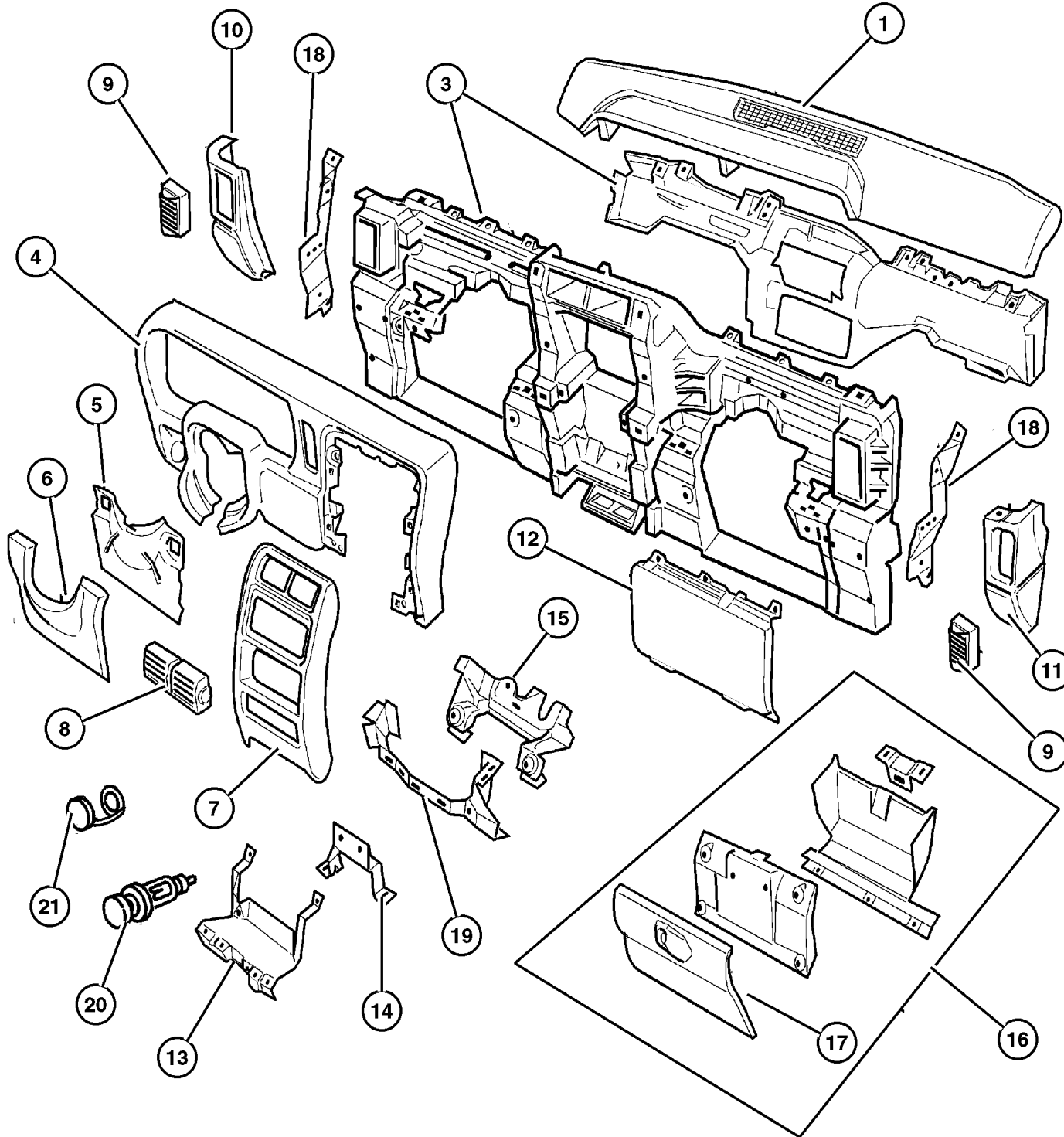
**JEEP CHEROKEE (XJ)**

SERIES	LINE	BODY	ENGINE	TRANSMISSION
P=Classic	J=LHD (4WD)	74=4 Dr.(101.4WB)	ENC,EN0=2.5L 4 cyl. Turbo Die	DDD, DDQ=5 spd. Man.
S=Limited	U=RHD (4WD)	72=2 Dr.(101.4WB)	ERH,ER0=4.0L Power Tech I-6	DGS=4 spd. Auto. AISIN
H=Sport	T=LHD (2WD)		EPE,EP0=Magnum 2.5L SMPI	DG0=All Auto/Trans.
L=SE	B=RHD (2WD)			DBB=All Manual Trans.

AR = Use as required - = Non illustrated part # = New this model year

April 5, 2002

Pad & Bezel (LHD)  
Figure 08A-120



ITEM	PART NUMBER	QTY	LINE	BODY	DESCRIPTION
	4595 749AA	1	J, T		Visor English/French (5 Point)
	4595 748AA	1			End Cap Warning
	5265 949	1	J, T		I/PAnel Airbag Warning
-24					BUMPER, Glove Box Door
	4524 343	2			Glovebox Catch
	55037 414AA	2	J, T		Glovebox Door
-25	5EB7 2LAZ	1	J, T		DOOR, Passenger Air Bag, Agate
-26	6034 833	2	J, T		CLIP, Push, .164-7.5
-27					BEZEL, Switch
	#4897 502AG	1	J, U		w/Rear Foglamp, Rear Defroster, Rear Wiper/Washer & w/o Front Foglamp
	#4897 505AG	1	J, U		w/Rear Foglamp, Rear Defroster, Rear Wiper/Washer & w/ Front Foglamp
	#4897 502AG	1			w/Rear Wiper, Rear Defroster, Police Package & w/o Rear Foglamp & w/o Front Foglamp
		1			w/Front Foglamp, Rear Defroster, Rear Wiper & w/o Rear Foglamp & w/o Police Package
	#4897 503AG	1			w/Rear Defroster, Rear Wiper & w/o Rear Foglamp, Front Foglamp & w/o Police Package
-28	55217 409AL	1	J, T		INSULATION, Dash Panel

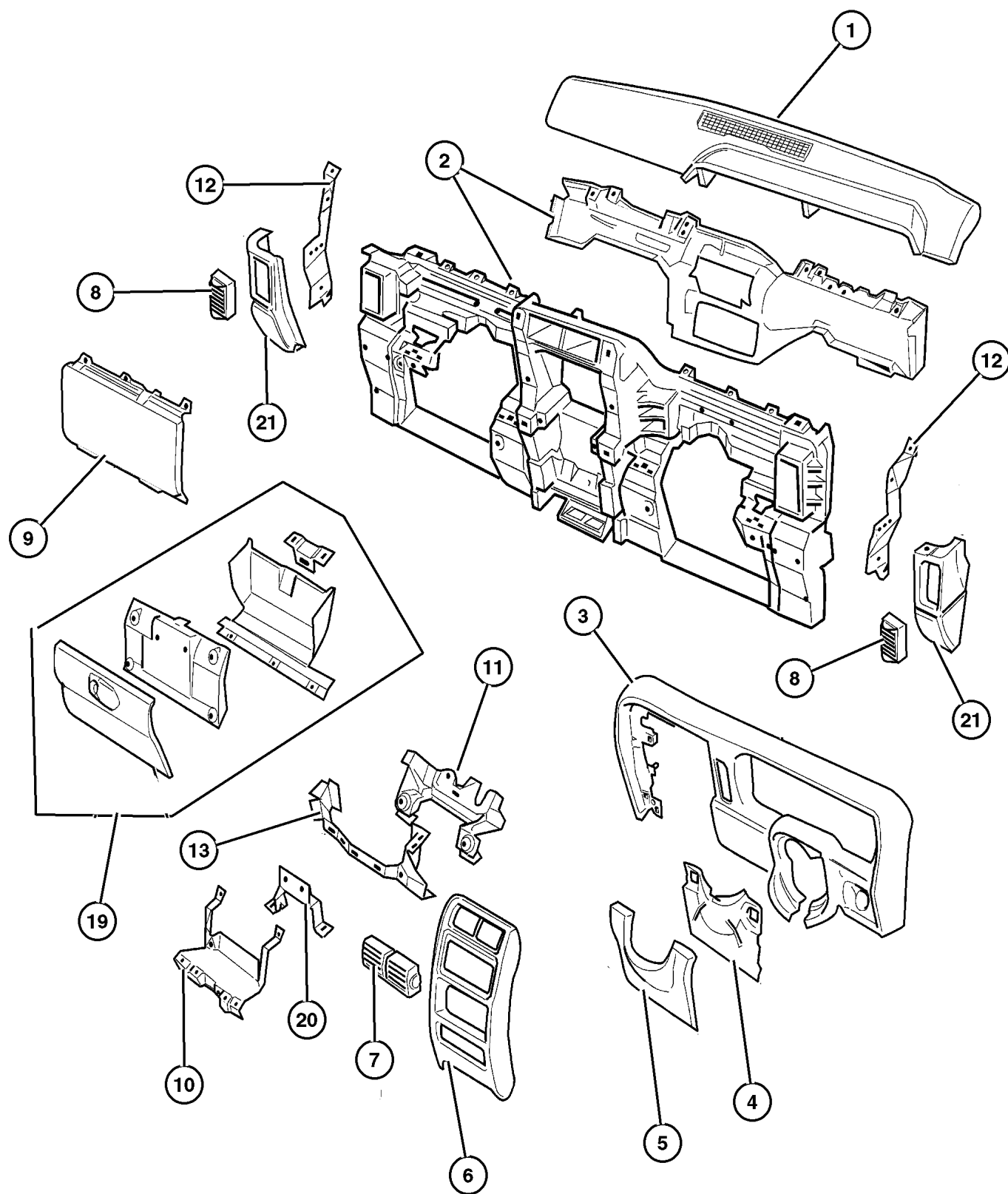
JEEP CHEROKEE (XJ)				
SERIES	LINE	BODY	ENGINE	TRANSMISSION
P=Classic	J=LHD (4WD)	74=4 Dr.(101.4WB)	ENC,EN0=2.5L 4 cyl. Turbo Die	DDD, DDQ=5 spd. Man.
S=Limited	U=RHD (4WD)	72=2 Dr.(101.4WB)	ERH,ER0=4.0L Power Tech I-6	DGS=4 spd. Auto. AISIN
H=Sport	T=LHD (2WD)		EPE,EP0=Magnum 2.5L SMPI	DG0=All Auto/Trans.
L=SE	B=RHD (2WD)			DBB=All Manual Trans.

AR = Use as required - = Non illustrated part # = New this model year

April 5, 2002



**Pad & Bezels (RHD)**  
**Figure 08A-122**



ITEM	PART NUMBER	QTY	LINE	BODY	DESCRIPTION
1	5EB71 LAZAB	1	B, U		COVER, Instrument Panel, Agate
2	4897 066AA	1	B, U		PANEL, Instrument Panel
3	5EJ85 LAZAC	1	B, U		BEZEL, Instrument Cluster
	5ER59 LAZAC	1	B, U		2.5L & 4.0L Engine (Agate)
	5ER59 LAZAC	1	B, U		Diesel Engine (Agate)
4	55115 525AB	1			LINER, Steering Column Cover
5	5EJ9 2LAZ	1			COVER, Steering Column
	5EJ9 2RK5	1			Agate
	5EJ9 2RK5	1			Tan/Agate
6	5EB69 LAZAE	1			BEZEL, Instrument Panel, Center
	5EN00 LAZAE	1			Black
	5EN00 LAZAE	1			Agate/Woodgrain
7	5FS10 LAZAB	1			OUTLET, Air Conditioning & Heater, Agate, Center
8	5DP5 4TAZ	1	B, U		OUTLET, Air Conditioning & Heater
	5DP5 5TAZ	1	B, U		Agate, Right
	5DP5 5TAZ	1	B, U		Agate, Left
9	5GE03 LAZAA	1	B, U		AIR BAG, Passenger, Agate
10	55115 466AB	1	B, U		BRACKET, Air Bag
11	5511 5561	1	B, U		BRACKET, Instrument Cluster
12	55037 194AB	1	B, U		SUPPORT, Instrument Panel
	55037 194AB	1	B, U		Right
	55037 195AB	1	B, U		Left
13	55037 394AA	1	B, U		REINFORCEMENT, Instrument Panel
-14	6034 833	2	B, U		CLIP, Push, .164-7.5
-15	4595 746AA	1			LABEL, Air Bag Warning
	4595 746AA	1			Removable Dash Warning
	4595 748AA	1			End Cap Warning
	5265 949	1	B, U		I/Panel Warning
-16	5EB6 7LAZ	1	B, U		DOOR, Passenger Air Bag, Agate
-17	55115 470AB	1	B, U		STRIKER, Glove Box Door Latch
-18	4524 343	2			BUMPER, Glove Box Door
	4524 343	2			Glovebox Catch
	55037 414AA	2	B, U		Glovebox Door
19	5EE0 7LAZ	1	B, U		GLOVE BOX, Instrument Panel
	5EE0 7LAZ	1	B, U		Agate
	5EE0 7RK5	1	B, U		Tan/Agate
20	55115 489AB	1			BRACKET, Instrument Panel
21	5EB76 1K5AC	1	B, U		CAP, Instrument Panel End
	5EB76 1K5AC	1	B, U		Tan/Agate, Right
	5EB76 LAZAC	1	B, U		Agate, Right
	5EB77 1K5AC	1	B, U		Tan/Agate, Left
	5EB77 LAZAC	1	B, U		Agate, Left

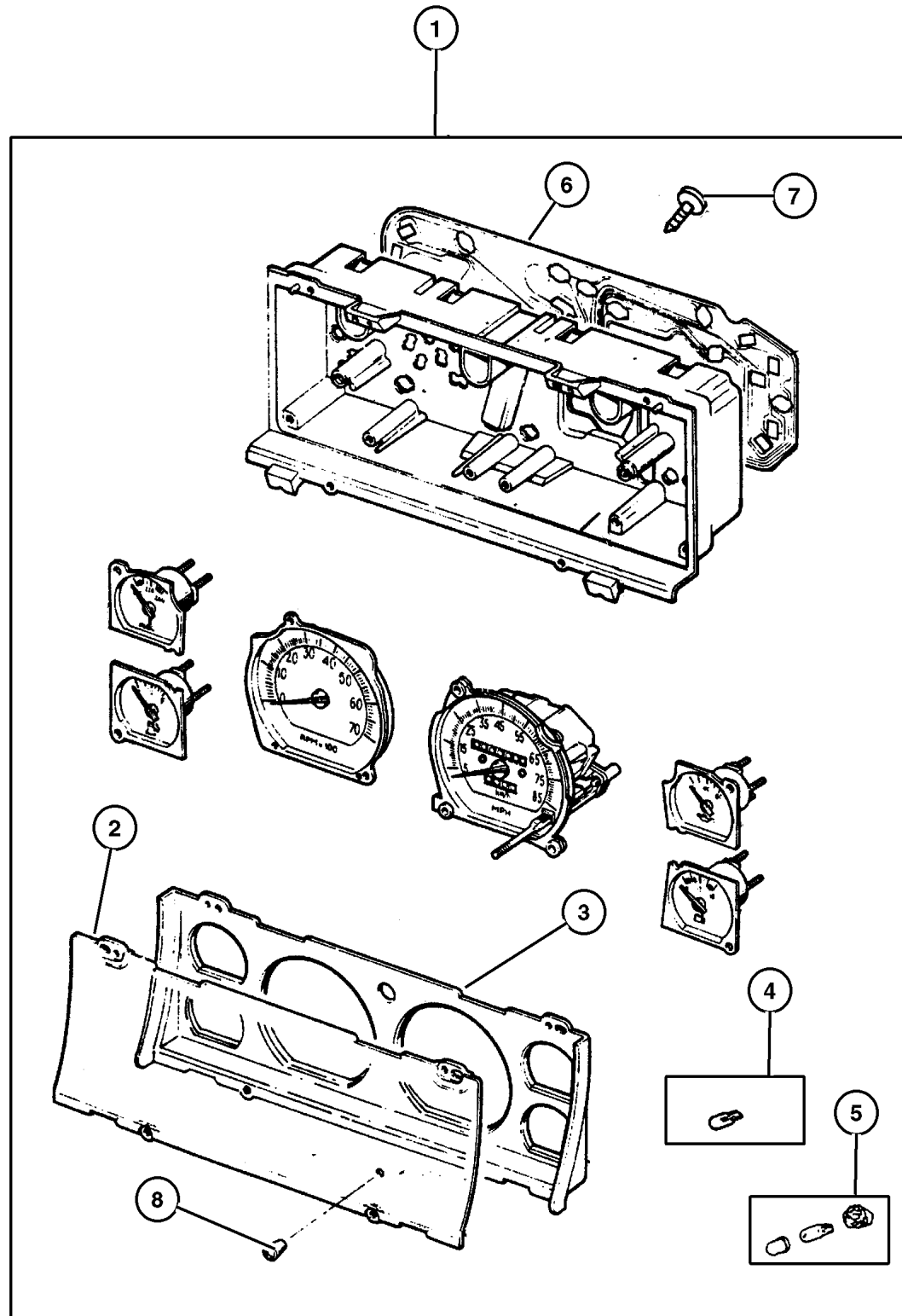
**JEEP CHEROKEE (XJ)**

SERIES	LINE	BODY	ENGINE	TRANSMISSION
P=Classic	J=LHD (4WD)	74=4 Dr.(101.4WB)	ENC,EN0=2.5L 4 cyl. Turbo Die	DDD, DDQ=5 spd. Man.
S=Limited	U=RHD (4WD)	72=2 Dr.(101.4WB)	ERH,ER0=4.0L Power Tech I-6	DGS=4 spd. Auto. AISIN
H=Sport	T=LHD (2WD)		EPE,EP0=Magnum 2.5L SMPI	DG0=All Auto/Trans.
L=SE	B=RHD (2WD)			DBB=All Manual Trans.

AR = Use as required - = Non illustrated part # = New this model year

April 5, 2002

Cluster  
Figure 08A-220



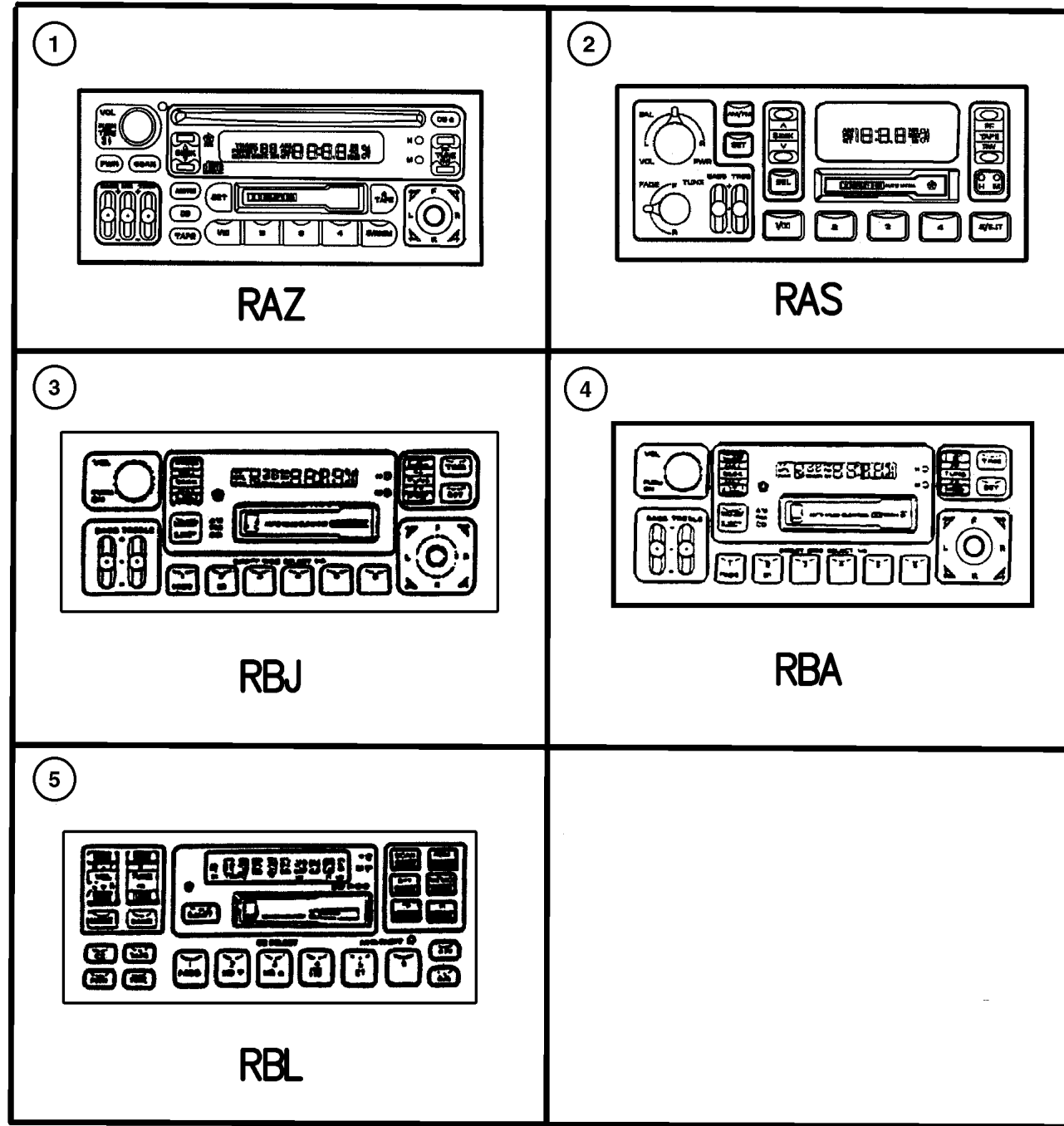
ITEM	PART NUMBER	QTY	LINE	BODY	DESCRIPTION
1					CLUSTER
	#56010 190AC	1			2.5L & 4.0L Engine w/100 MPH & w/o Tach (Lowline)
	#56010 191AC	1			2.5L & 4.0L Engine w/200 KPH & w/o Tach (Lowline)
	#56010 192AC	1			2.5L & 4.0L Engine w/100 MPH & w/Tach (High Line)
	#56010 193AC	1			2.5L & 4.0L Engine w/200 KPH & w/Tach (High Line)
	#56010 194AC	1	B, U		2.5L & 4.0L Engine w/200 KPH & w/Tach (High Line) w/o Secondary
	#56010 195AC	1	B, U		2.5L & 4.0L Engine w/120 MPH & w/Tach (High Line)
	#56010 196AC	1	B, U		Diesel Engine w/120 MPH
	#56010 197AC	1	B, U		Diesel Engine w/200 KPH & w/o Secondary
	#56010 198AC	1			Diesel Engine w/200 KPH Primary
	#56010 199AC	1	J, T		120 MPH (Police)
	#56010 200AC	1	J, T		200 KPH (Police)
2	4874 345	1			LENS, Cluster
3	4874 344	1			MASK, Instrument Cluster
4	L000 PC74	10			BULB, PC74
5	4874 349	5	B, U		BULB AND SOCKET
6	4874 348	1			COVER, Cluster
7	6032 723	4			SCREW, Self Tapping, M4.2x1.69x19.05
8	4874 346	1			GROMMET, Speedometer Trip Reset
-9					BOARD, Circuit, Serviced w/Item # 1, (NOT SERVICED)
-10					INDICATOR
	5600 9613	1	J, T		Diesel Engine
	5600 9639	1	B, U		Diesel Engine

JEEP CHEROKEE (XJ)				
SERIES	LINE	BODY	ENGINE	TRANSMISSION
P=Classic	J=LHD (4WD)	74=4 Dr.(101.4WB)	ENC,EN0=2.5L 4 cyl. Turbo Die	DDD, DDQ=5 spd. Man.
S=Limited	U=RHD (4WD)	72=2 Dr.(101.4WB)	ERH,ER0=4.0L Power Tech I-6	DGS=4 spd. Auto. AISIN
H=Sport	T=LHD (2WD)		EPE,EP0=Magnum 2.5L SMPI	DG0=All Auto/Trans.
L=SE	B=RHD (2WD)			DBB=All Manual Trans.

AR = Use as required - = Non illustrated part # = New this model year

April 5, 2002

Radio  
Figure 08A-310



ITEM	PART NUMBER	QTY	LINE	BODY	DESCRIPTION
RAS=AM/FM Cassette manual, 12 Disc Magazine.					
RAZ=AM/FM w/Cassette & CD manual, 12 Disc Magazine.					
RBA=AM/FM w/Cassette & CD Changer Control (Argentina, Brazil, Paraguay & Uruguay) manual, 12 Disc Magazine.					
RBJ=Midline AM/FM w/Cassette & CD Changer Control (Japan) manual, 12 Disc Magazine.					
RBL=AM/FM/MW/RDS Cassette & CD Changer Control (Europe) manual, 12 Disc Magazine.					
1	4704 383AH	1			RADIO, AM/FM with CD and Cassette, (RAZ)
2	56038 933AB	1			RADIO, AM/FM Cassette, (RAS)
3	4704 393AD	1			RADIO, AM/FM with CD, (RBJ)
4	4704 392AD	1			RADIO, AM/FM with CD, (RBA)
5	#4859 504AD	1			RADIO, FM/MW/LW-RDS and Cassette, (RBL)
-6	56007 653AD	1			AMPLIFIER, Radio

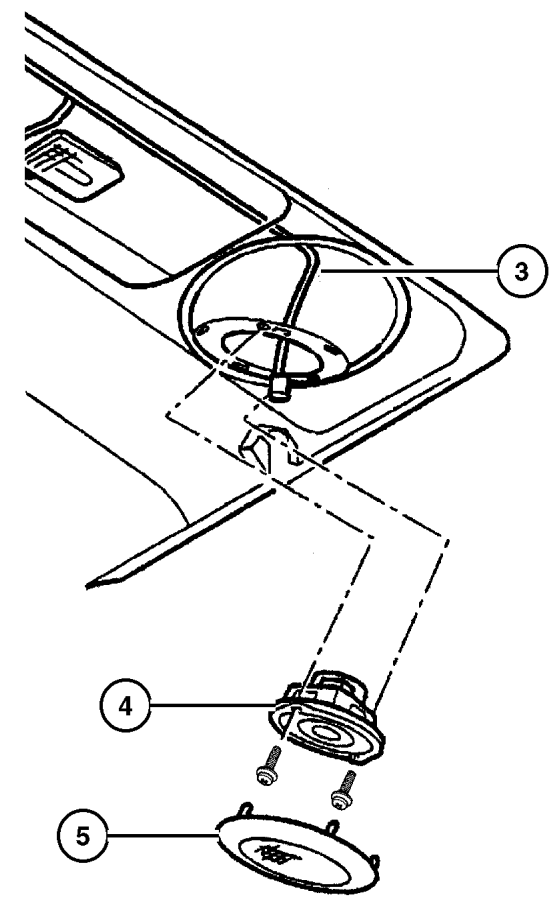
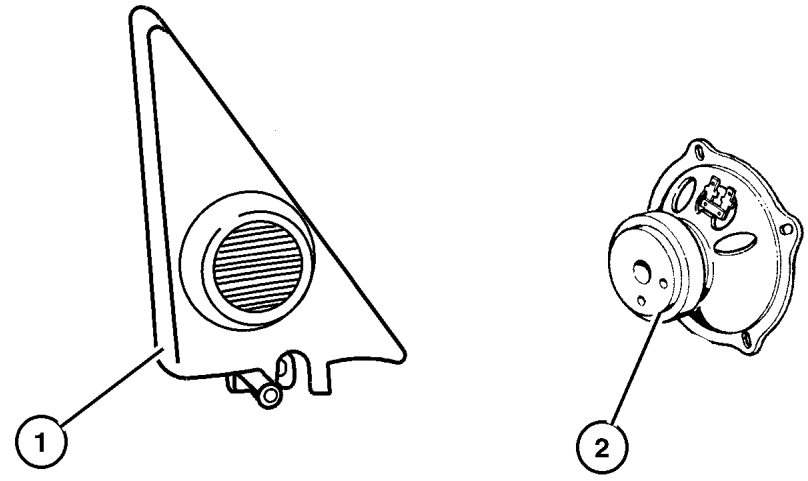
JEEP CHEROKEE (XJ)				
SERIES	LINE	BODY	ENGINE	TRANSMISSION
P=Classic	J=LHD (4WD)	74=4 Dr.(101.4WB)	ENC,EN0=2.5L 4 cyl. Turbo Die	DDD, DDQ=5 spd. Man.
S=Limited	U=RHD (4WD)	72=2 Dr.(101.4WB)	ERH,ER0=4.0L Power Tech I-6	DGS=4 spd. Auto. AISIN
H=Sport	T=LHD (2WD)		EPE,EP0=Magnum 2.5L SMPI	DG0=All Auto/Trans.
L=SE	B=RHD (2WD)			DBB=All Manual Trans.

AR = Use as required - = Non illustrated part # = New this model year

April 5, 2002

## Speakers Figure 08A-320

ITEM	PART NUMBER	QTY	LINE	BODY	DESCRIPTION
RCB=Two Speaker System manual, 12 Disc Magazine.					
RCD=Four Speaker System manual, 12 Disc Magazine.					
RCG=Six Premium Speaker System (Infinity) manual, 12 Disc Magazine.					
1					COVER, Mirror Opening
	5FM02 LAZAB	1			w/o Tweeter (Agate), Right
	5FM03 LAZAB	1			w/o Tweeter (Agate), Left
	5FV14 LAZAB	1			w/Tweeter (Agate), Right
	5FV15 LAZAB	1			w/Tweeter (Agate), Left
2					SPEAKER, Door
	56008 750AC	2			Premium RCG
	56008 751AD	2			Standard RCB=RCR
3	56009 936AA	1			WIRING, Headliner
4					SPEAKER, Sound Bar
	56008 754AB	2			Standard (5.25 Full Range)
	5600 8756	1			Premium (5.25 Coaxial)
5					GRILLE, Speaker
	5FY19 HW8AA	2			Quartz
	5FY19 RK5AA	2			Tan/Agate
-6	55352 694AA	AR			BRACKET, Speaker



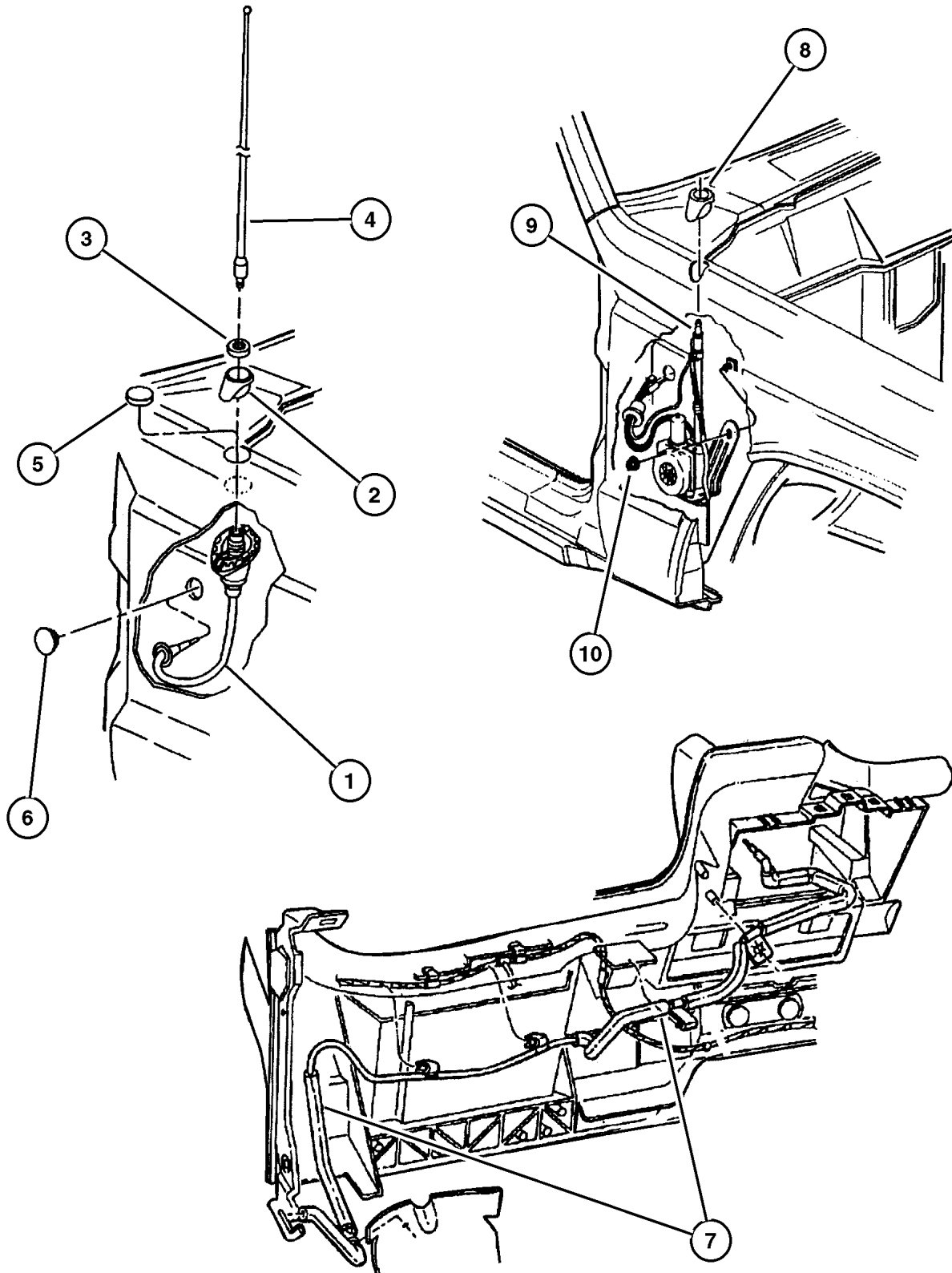
JEEP CHEROKEE (XJ)				
SERIES	LINE	BODY	ENGINE	TRANSMISSION
P=Classic	J=LHD (4WD)	74=4 Dr.(101.4WB)	ENC,EN0=2.5L 4 cyl. Turbo Die	DDD, DDQ=5 spd. Man.
S=Limited	U=RHD (4WD)	72=2 Dr.(101.4WB)	ERH,ER0=4.0L Power Tech I-6	DGS=4 spd. Auto. AISIN
H=Sport	T=LHD (2WD)		EPE,EP0=Magnum 2.5L SMPI	DG0=All Auto/Trans.
L=SE	B=RHD (2WD)			DBB=All Manual Trans.

AR = Use as required - = Non illustrated part # = New this model year

April 5, 2002

## Antenna Figure 08A-330

ITEM	PART NUMBER	QTY	LINE	BODY	DESCRIPTION
1	56038 505AB	1			BASE, Antenna
2	56038 507AB	1			ESCUTCHEON, Antenna
3	56007 570AB	1			CAP NUT, Antenna
4	5600 8917	1			MAST, Antenna
5	5603 8506	1			PLUG, Antenna Hole
6	2860 332	1			PLUG, Anti-Rattle
7					CABLE, Antenna
	56038 508AD	1	J, T		
	56038 509AB	1	B, U		
8					GROMMET, Antenna Mounting
	56022 200AA	1	J, T		
		1	B, U		
9					ANTENNA
	56022 199AA	1	B, U		
		1	J, T		
10	6101 820	1			NUT, Hex Flange Lock



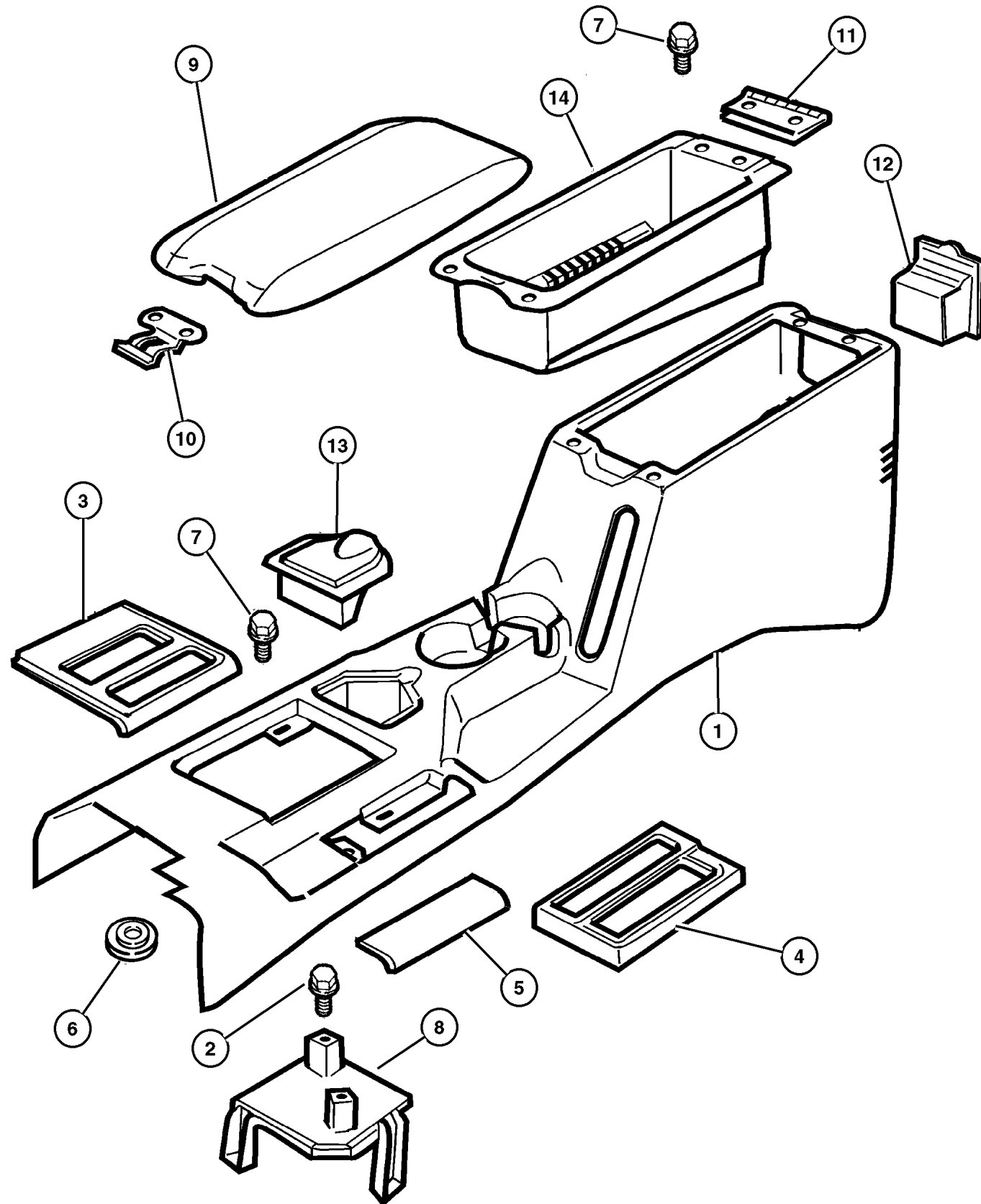
### JEEP CHEROKEE (XJ)

SERIES	LINE	BODY	ENGINE	TRANSMISSION
P=Classic	J=LHD (4WD)	74=4 Dr.(101.4WB)	ENC,EN0=2.5L 4 cyl. Turbo Die	DDD, DDQ=5 spd. Man.
S=Limited	U=RHD (4WD)	72=2 Dr.(101.4WB)	ERH,ER0=4.0L Power Tech I-6	DGS=4 spd. Auto. AISIN
H=Sport	T=LHD (2WD)		EPE,EP0=Magnum 2.5L SMPI	DG0=All Auto/Trans.
L=SE	B=RHD (2WD)			DBB=All Manual Trans.

AR = Use as required - = Non illustrated part # = New this model year

April 5, 2002

## Floor Console Figure 08A-420



ITEM	PART NUMBER	QTY	LINE	BODY	DESCRIPTION
1					CONSOLE, Base
	QX10 1K5AA	1			Tan/Agate
	QX10 LAZAA	1			Agate
2	0153 185	1			SCREW, .164-18x.500
3					BEZEL, Console PRNDL
	5EK03 LAZAB	1	J, T		(Agate) 4 Speed Automatic Transmission-Aisin Warner
	5EK07 LAZAB	1	B, U		(Agate) 4 Speed Automatic Transmission-Aisin Warner
	5GC35 LAZAB	1	J, T		(Agate) 3 Speed Automatic Transmission 30RH
	5GC36 LAZAB	1	B, U		(Agate) 3 Speed Automatic Transmission 30RH
4					BEZEL, Transfer Case
	5EK13 LAZAB	1	U		(Agate) w/242 Transfer Case-Select Trac
	5EK17 LAZAB	1	U		(Agate) w/231 Transfer Case-Command Trac
	5EL86 LAZAB	1	J		(Agate) w/242 Transfer Case-Select Trac
	5EL90 LAZAB	1	J		w/231 Transfer Case-Command Trac (Agate)
5					COVER, Transfer Case Lever Hole
	5EU6 6LAZ	1	B, T		(Agate)
	5EU6 6RK5	1	B, T		(Tan/Agate)
6					WASHER
	4798 118	1	J, U		
	6501 988	4			
7	6032 723	2			SCREW, Self Tapping, M4.2x1.69x19.05
8	55037 038AC	1			BRACKET, Floor Console
9					LID, Floor Console Bin
	5EJ50 LAZAD	1			Agate
	5EJ50 RK5AD	1			Tan/Agate
10	55037 537AA	1			LATCH, Armrest Lid
11	55352 505AB	1			HINGE, Floor Console Lid
12	5EK1 0LAZ	1			ASH RECEIVER, Floor Console, Agate (Rear Console)
13					ASH RECEIVER, Floor Console
	5GK66 LAZAA	1			Agate (with Heated Seats) Front
	5EB68 LAZAB	1			Agate (without Heated Seats) Front
14	5511 5523	1			BIN, Floor Console
-15					SWITCH, Heated Seat
	#56010 135AB	1			Right
	#56010 136AB	1			Left
-16	#5GH07 LAZAB	1			BEZEL, Floor Console Switch, Heated Seats (Agate)
-17	3420 1314	4		74	SCREW, Tapping Round Head, .164x18x1.232
-18	4524 343	2			BUMPER, Glove Box Door
-19	5503 7315	4	J, T		CLIP
-20	6034 833	2			CLIP, Push, .164-7.5
-21	55037 550AA	1			ASH RECEIVER, Smokers Package, Ash Receiver Cup

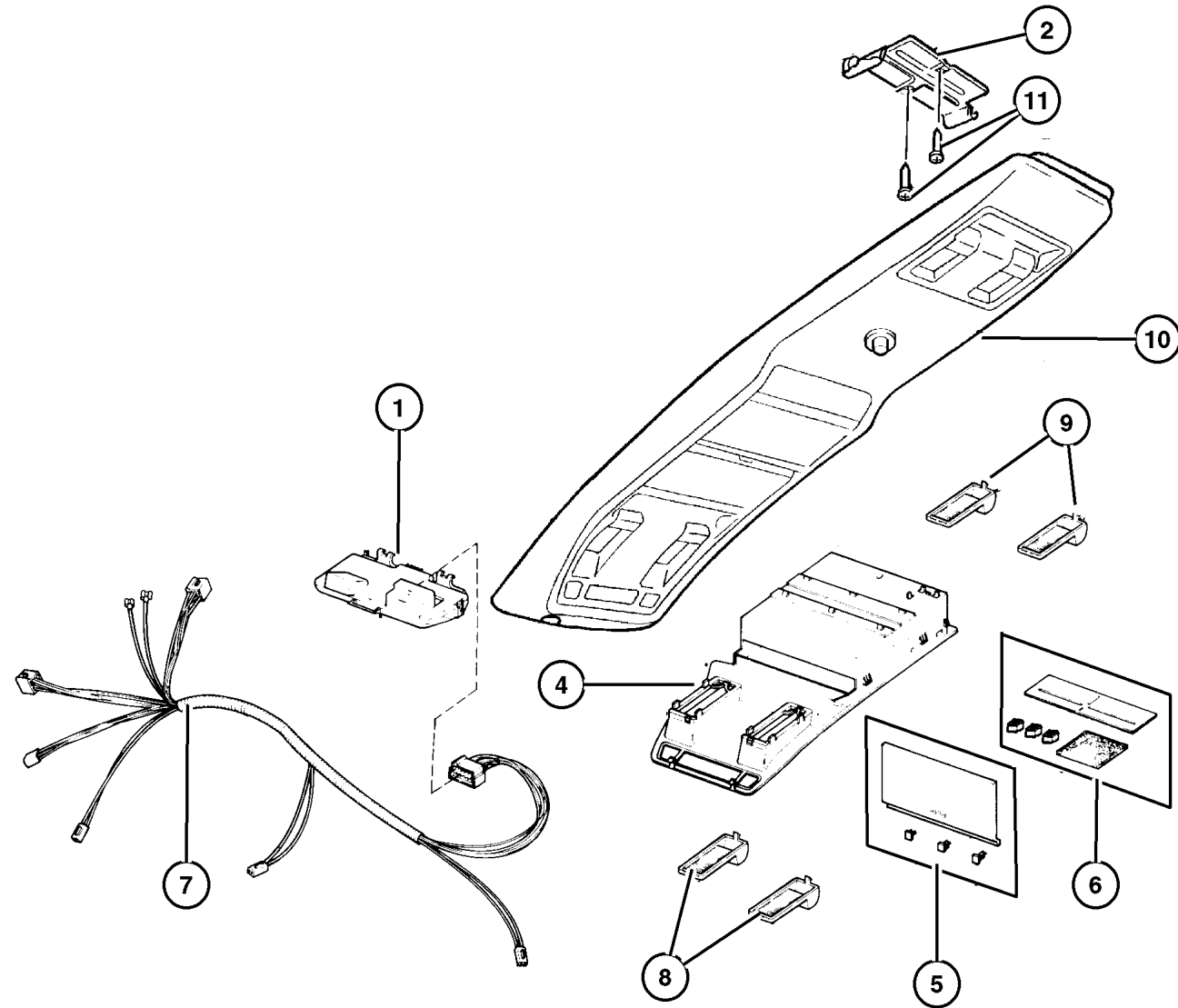
### JEEP CHEROKEE (XJ)

SERIES	LINE	BODY	ENGINE	TRANSMISSION
P=Classic	J=LHD (4WD)	74=4 Dr.(101.4WB)	ENC,EN0=2.5L 4 cyl. Turbo Die	DDD, DDQ=5 spd. Man.
S=Limited	U=RHD (4WD)	72=2 Dr.(101.4WB)	ERH,ER0=4.0L Power Tech I-6	DGS=4 spd. Auto. AISIN
H=Sport	T=LHD (2WD)		EPE,EP0=Magnum 2.5L SMPI	DG0=All Auto/Trans.
L=SE	B=RHD (2WD)			DBB=All Manual Trans.

AR = Use as required - = Non illustrated part # = New this model year

April 5, 2002

Overhead Console  
Figure 08A-450



ITEM	PART NUMBER	QTY	LINE	BODY	DESCRIPTION
1	56009 380AB	1			MODULE, Compass Temperature
2	55352 518AB	1			BRACKET, Overhead Console
-3					SCREW, Pan Head Tapping, .164-32x.625, (NOT SERVICED)
4	4761 436	1			HOUSING AND DOOR, Overhead Console
5	4761 965	1			DOOR, Garage Door Opener
6	4798 405	1			ADAPTER, Garage Door Button
7	4882 780	1			WIRING, Overhead Console, Lamp Switches & Bulb Housing Serviced Only w/Wiring Harness
8	5268 175	1			LENS, Reading Lamp
9					LENS, Reading Lamp
	5268 177	1			Left Rear
	5268 178	1			Right Rear
10					HOUSING, Overhead Console
	QL65 1K5	1			[K5] Without Immobilizer
	QL74 1K5	1			[K5] With Immobilizer
	QL74 1W8	1			[AZ] With Immobilizer
	QL65 1W8	1			[AZ] Without Immobilizer
11	3420 1197	2	B, U		RIVET, Blind, M3.17x10.00, Overhead Console Mounting

JEEP CHEROKEE (XJ)				
SERIES	LINE	BODY	ENGINE	TRANSMISSION
P=Classic	J=LHD (4WD)	74=4 Dr.(101.4WB)	ENC,EN0=2.5L 4 cyl. Turbo Die	DDD, DDQ=5 spd. Man.
S=Limited	U=RHD (4WD)	72=2 Dr.(101.4WB)	ERH,ER0=4.0L Power Tech I-6	DGS=4 spd. Auto. AISIN
H=Sport	T=LHD (2WD)		EPE,EP0=Magnum 2.5L SMPI	DG0=All Auto/Trans.
L=SE	B=RHD (2WD)			DBB=All Manual Trans.

AR = Use as required - = Non illustrated part # = New this model year

April 5, 2002

# Group – 009

## Engine Mounting

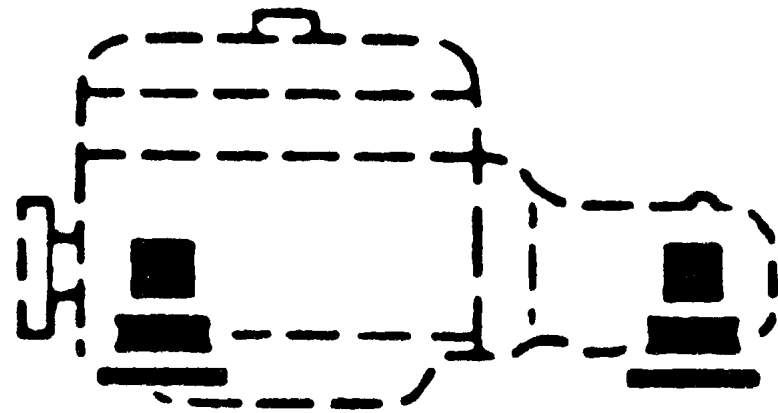
### GROUP 9 - Engine Mounting

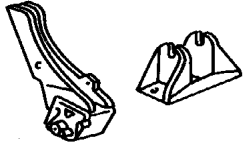
Illustration Title

Group-Fig. No.

#### Engine Mounting

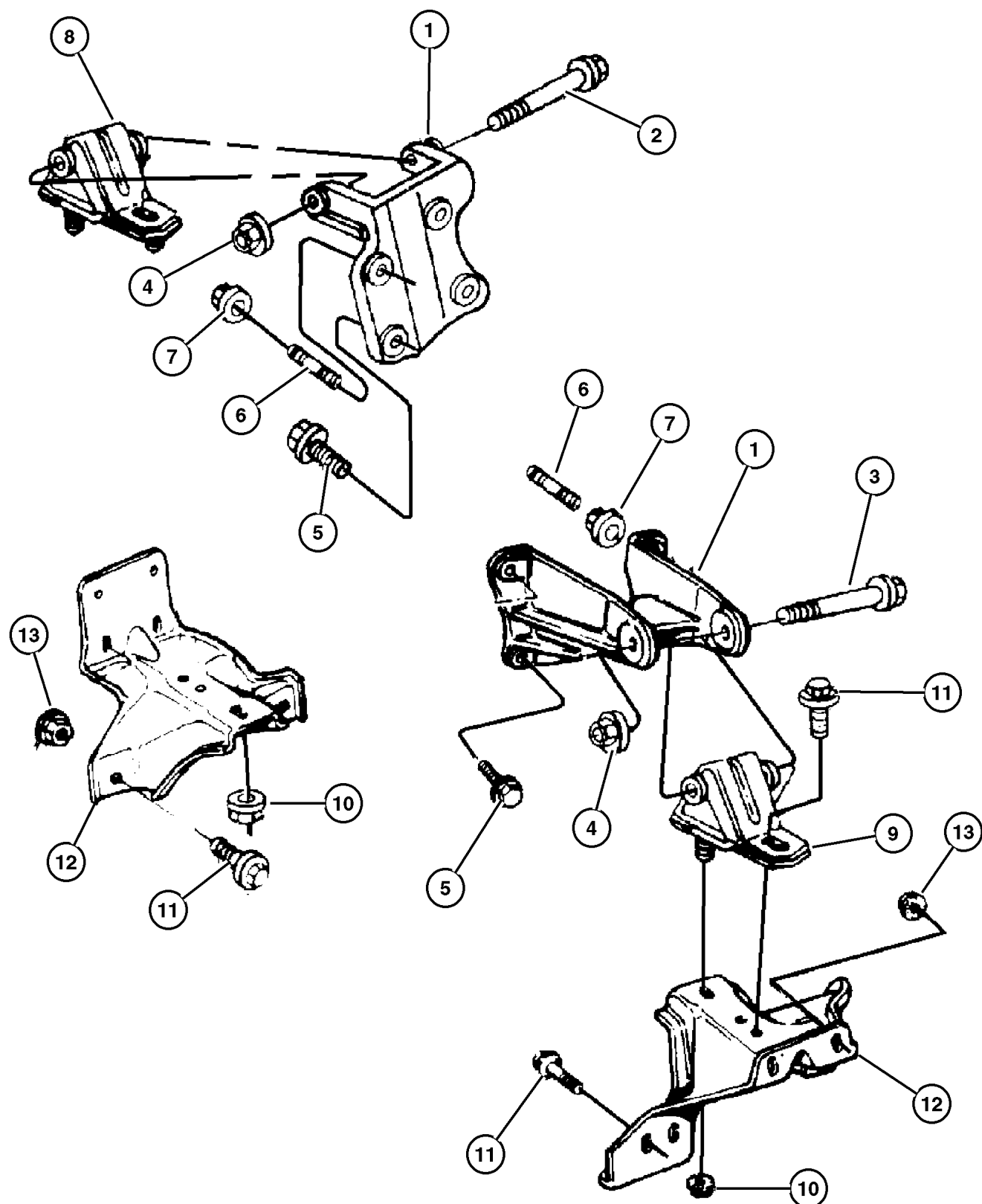
Engine Mounting, Front 2.5L (EPE) Engine .....	Fig. 009-110
Engine Mounting, Rear, .....	Fig. 009-120
Engine Mounting, Front 2.5L (ENC) Diesel Engine .....	Fig. 009-130
Engine Mounting, Rear 2.5L (ENC) Diesel Engine .....	Fig. 009-140
Engine Mounting, Front 4.0L (ERH) Engine .....	Fig. 009-150
Engine Mounting, Rear 4.0L (ERH) Engine .....	Fig. 009-160



<p>009-100 Engine Mounting</p> 			
--	--	--	--



**Engine Mounting, Front 2.5L (EPE) Engine**  
**Figure 009-110**



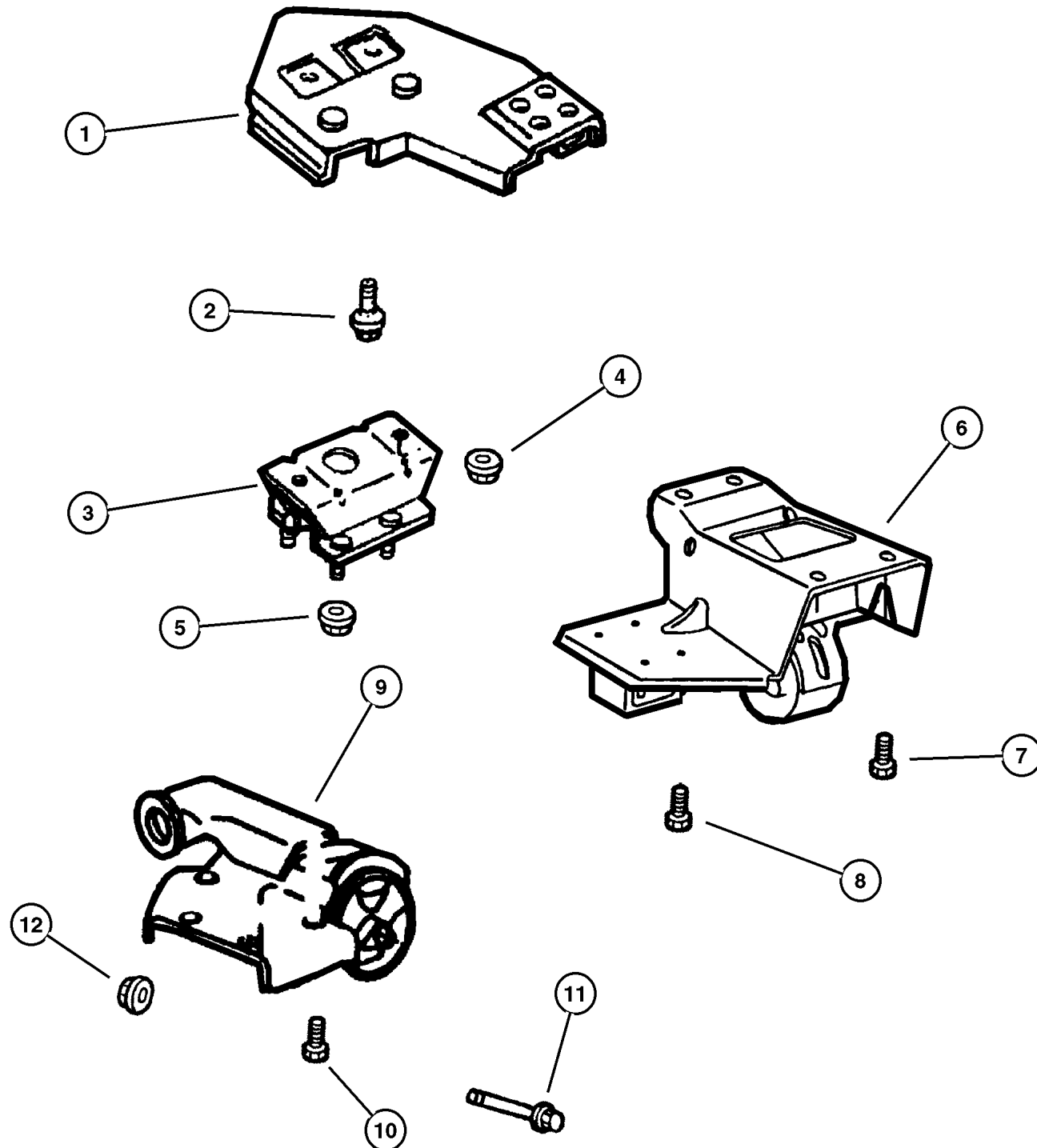
ITEM	PART NUMBER	QTY	LINE	ENGINE	TRANS	DESCRIPTION
NOTE: EP0=All 2.5L Gas Engines, ERO= All 4.0L Gas Engines, manual, 12 Disc Magazine. DGD= 3 Speed Automatic Transmission, DBB= Manual Transmissions manual, 12 Disc Magazine.						
1						BRACKET, Engine Mount
	5201 7731	1	B, U	EP0	DBB	Right
	52018 450AB	1	J, T	EP0		Right
	52058 877AB	1	J, T	EP0		Left
	5206 0003	1	B, U	EP0	DBB	Left
2	6101 742	1	B, U	EP0		BOLT, Square Neck, M12x1.75x130, Right
3	3420 1959	1	B, U	EP0		BOLT, Hex Flange Head, M12-1.75x125, Left
4	6502 697	2				NUT, Hex Flange Lock, M12x1.75
5						SCREW, Hex Head, .375-16x1.125
	6036 176AA	5		EP0	DGD	
		4		EP0	DBB	
6						STUD, .375-16x2.00"
	6033 883	3		EP0	DBB	
		4		EP0	DGD	
7						NUT, Hex Flange Lock, .375-16
	0152 474	4		EP0	DGD	
		3		EP0	DBB	
8	J324 2728	1	B, U	EP0	DBB	INSULATOR, Engine Mount, Right
9	5200 7394	1	B, U	EP0	DBB	CUSHION, Engine Support, Left
10						NUT, Hex Flange, M10x1.5, (NOT SERVICED)
11	6504 511	2		EP0, ERO		SCREW AND WASHER, M10x1.5x40
12						BRACKET, Engine Mount
	5200 3005	1	B, U	EP0	DBB	Left
	52020 219AB	1	J, T	EP0		Left
	52059 010AB	1	J, T	EP0		Right
	5205 9030	1	B, U	EP0	DBB	Right
13	3420 1416	4		EP0		NUT, Hex Flange, M8x1.25

JEEP CHEROKEE (XJ)				
SERIES	LINE	BODY	ENGINE	TRANSMISSION
P=Classic	J=LHD (4WD)	74=4 Dr.(101.4WB)	ENC,EN0=2.5L 4 cyl. Turbo Die	DDD, DDQ=5 spd. Man.
S=Limited	U=RHD (4WD)	72=2 Dr.(101.4WB)	ERH,ER0=4.0L Power Tech I-6	DGS=4 spd. Auto. AISIN
H=Sport	T=LHD (2WD)		EPE,EP0=Magnum 2.5L SMPI	DG0=All Auto/Trans.
L=SE	B=RHD (2WD)			DBB=All Manual Trans.

AR = Use as required - = Non illustrated part # = New this model year

April 5, 2002

## Engine Mounting, Rear, Figure 009-120



ITEM	PART NUMBER	QTY	LINE	ENGINE	TRANS	DESCRIPTION
Note: EPO= All 2.5L Gas Engines, DGD= 3 Speed Automatic Transmissions, manual, 12 Disc Magazine.						
DBB= Manual Transmissions. manual, 12 Disc Magazine.						
1	52058 885AB	1	B, U	EPO	DBB	BRACKET, Support Rear
2						BOLT, (NOT SERVICED)
3						INSULATOR, Engine Mount
	5200 1180	1	U	EPO	DBB	
	5200 7393	1	B	EPO	DBB	
4						NUT, Hex Flange, M10x1.5, (NOT SERVICED)
5	6101 695	4				NUT, Hex Flange Lock, M8x1.25
6	52058 880AB	1	T	EPO	DGD	BRACKET, Transmission Mount
7	6033 358	2	J, T	EPO	DGD	SCREW AND WASHER, Hex Head Locking, .437-14x1.25
8	6028 606	2	T	EPO	DGD	SCREW AND WASHER, Hex Head Lock, .312-18x1.00
9						BRACKET, Transmission Mount
	52059 149AA	1	T	EPO	DBB	
	52059 150AA	1	J	EPO	DBB	
10						SCREW, .437-14x1.12, (NOT SERVICED)
11						BOLT, Hex Flange Head, M12x1.75x110
	6502 809	1	J, T	EPO	DGD	
		1	J, T	EPO	DBB	
12	6502 697	1				NUT, Hex Flange Lock, M12x1.75

### JEEP CHEROKEE (XJ)

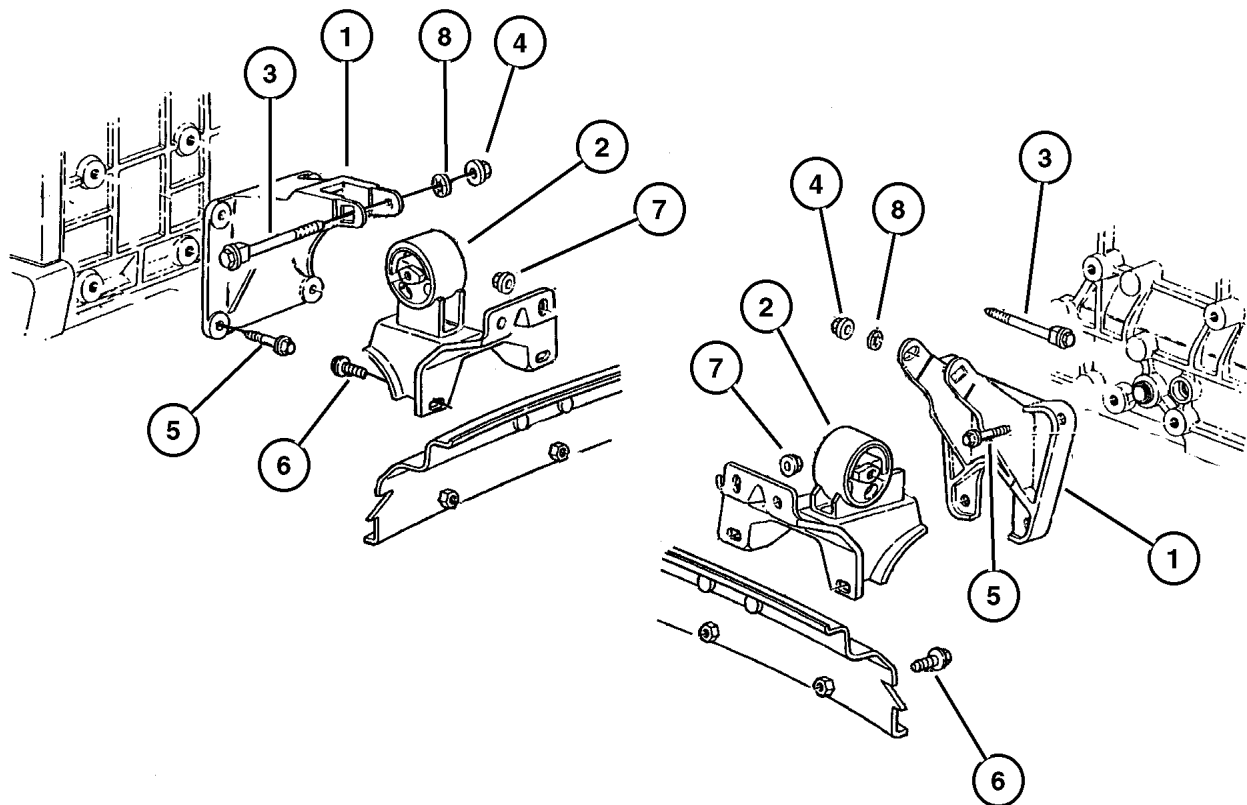
SERIES	LINE	BODY	ENGINE	TRANSMISSION
P=Classic	J=LHD (4WD)	74=4 Dr.(101.4WB)	ENC,EN0=2.5L 4 cyl. Turbo Die	DDD, DDQ=5 spd. Man.
S=Limited	U=RHD (4WD)	72=2 Dr.(101.4WB)	ERH,ER0=4.0L Power Tech I-6	DGS=4 spd. Auto. AISIN
H=Sport	T=LHD (2WD)		EPE,EPO=Magnum 2.5L SMPI	DG0=All Auto/Trans.
L=SE	B=RHD (2WD)			DBB=All Manual Trans.

AR = Use as required - = Non illustrated part # = New this model year

April 5, 2002

**Engine Mounting, Front 2.5L (ENC) Diesel Engine  
Figure 009-130**

ITEM	PART NUMBER	QTY	LINE	ENGINE	TRANS	DESCRIPTION
NOTE: EN0=All 2.5L Diesel Engines DBB= Manual Transmission manual, 12 Disc Magazine.						
1	5205 9102	1		EN0		BRACKET, Engine Mount Left
	5205 9114	1		EN0		Right
2	52059 200AC	1		EN0		BRACKET, Engine Mount Right
	52059 201AC	1		EN0		Left
3	6101 742	2		EN0	DBB	BOLT, Square Neck, M12x1.75x130
4	6502 697	2				NUT, Hex Flange Lock, M12x1.75
5	6101 238	8		EN0		SCREW, Header Point, M10x1.50x25.00
6	6504 511	4		EN0		SCREW AND WASHER, M10x1.5x40
7	3420 1416	4		EN0		NUT, Hex Flange, M8x1.25
8						NUT, M12, (NOT SERVICED)



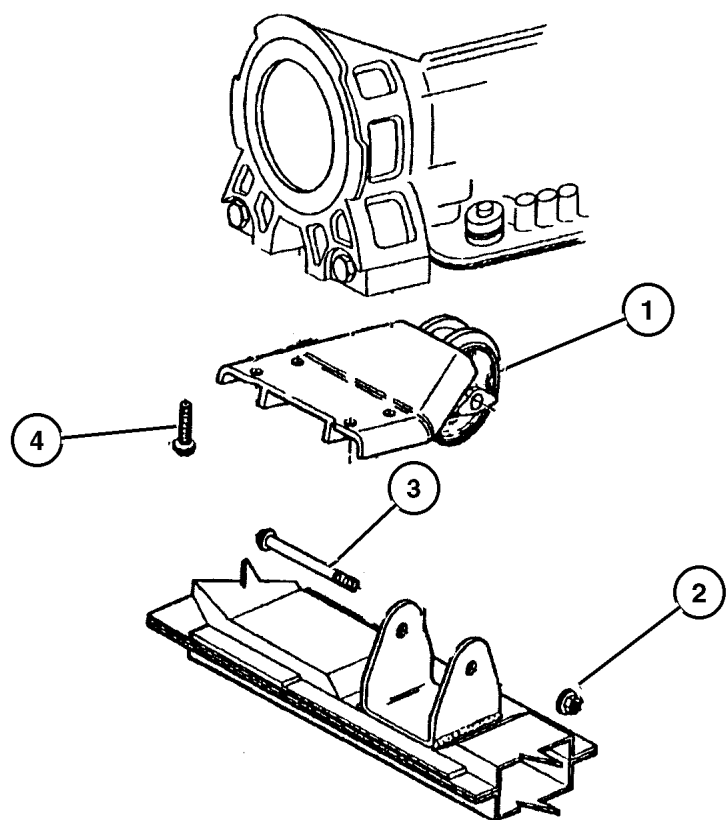
JEEP CHEROKEE (XJ)				
SERIES	LINE	BODY	ENGINE	TRANSMISSION
P=Classic	J=LHD (4WD)	74=4 Dr.(101.4WB)	ENC,EN0=2.5L 4 cyl. Turbo Die	DDD, DDQ=5 spd. Man.
S=Limited	U=RHD (4WD)	72=2 Dr.(101.4WB)	ERH,ER0=4.0L Power Tech I-6	DGS=4 spd. Auto. AISIN
H=Sport	T=LHD (2WD)		EPE,EP0=Magnum 2.5L SMPI	DG0=All Auto/Trans.
L=SE	B=RHD (2WD)			DBB=All Manual Trans.

AR = Use as required - = Non illustrated part # = New this model year

April 5, 2002

**Engine Mounting, Rear 2.5L (ENC) Diesel Engine  
Figure 009-140**

ITEM	PART NUMBER	QTY	LINE	ENGINE	TRANS	DESCRIPTION
NOTE: ENC=2.5L Diesel Engine DDB= Manual Transmission manual, 12 Disc Magazine.						
1	5205 8539	1		ENC	DBB	ISOLATOR, Transmission Mount
2	6502 697	2				NUT, Hex Flange Lock, M12x1.75
3	3420 2606	1		ENC	DBB	BOLT, Hex Head
4						BOLT AND CONED WASHER, Hex Head, .437-14x1.12, (NOT SERVICED)



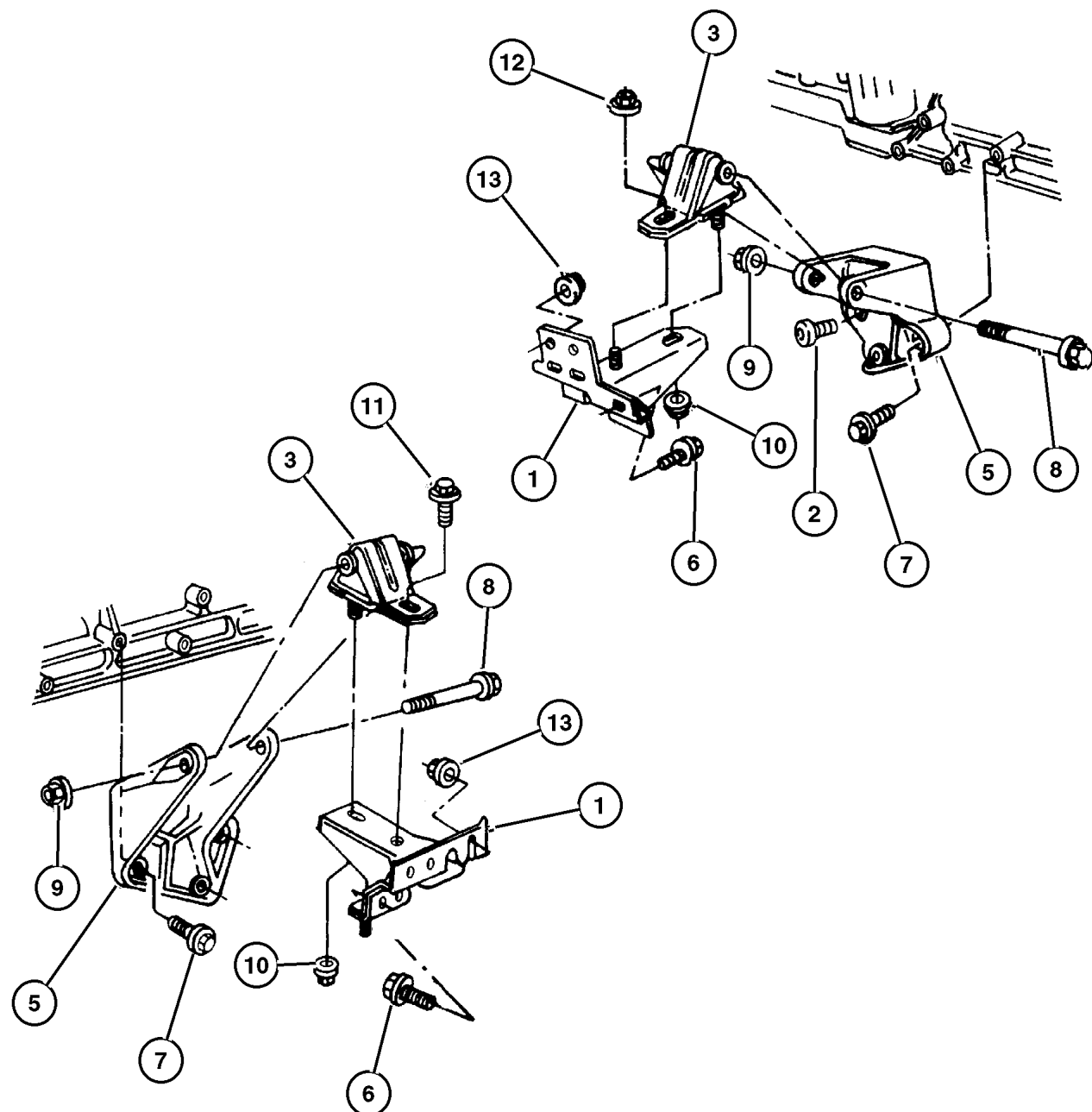
JEEP CHEROKEE (XJ)				
SERIES	LINE	BODY	ENGINE	TRANSMISSION
P=Classic	J=LHD (4WD)	74=4 Dr.(101.4WB)	ENC,EN0=2.5L 4 cyl. Turbo Die	DDD, DDQ=5 spd. Man.
S=Limited	U=RHD (4WD)	72=2 Dr.(101.4WB)	ERH,ER0=4.0L Power Tech I-6	DGS=4 spd. Auto. AISIN
H=Sport	T=LHD (2WD)		EPE,EP0=Magnum 2.5L SMPI	DG0=All Auto/Trans.
L=SE	B=RHD (2WD)			DBB=All Manual Trans.

AR = Use as required - = Non illustrated part # = New this model year

April 5, 2002

**Engine Mounting, Front 4.0L (ERH) Engine  
Figure 009-150**

ITEM	PART NUMBER	QTY	LINE	ENGINE	TRANS	DESCRIPTION
NOTE: ER0=All 4.0L Engines, EPO= All 2.5L Gas Engines manual, 12 Disc Magazine.						
1						BRACKET, Engine Mount
	52002 603AC	1		ER0		Left
	52019 010AC	1	J, T	ER0		Right
	52058 424AC	1	B, U	ER0		Right
2	6036 176AA	1		ER0		SCREW, Hex Head, .375-16x1.125
3						CUSHION, Engine Support
	#52019 201AC	2	J, T	ER0		
		1	B, U	ER0		
-4	5202 0018	1	B, U	ER0		INSULATOR, Engine Mount, Left
5						BRACKET, Engine Mount
	5202 0270	1		ER0		Right
	5200 2607	1		ER0		Left
6	6504 511	2		EPO, ER0		SCREW AND WASHER, M10x1.5x40
7	6036 176AA	5		ER0		SCREW, Hex Head, .375-16x1.125
8	#6505 713AA	2		ER0		BOLT
9	6502 697	2				NUT, Hex Flange Lock, M12x1.75
10						NUT, M10x1.50, (NOT SERVICED)
11	6504 511	2		EPO, ER0		SCREW AND WASHER, M10x1.5x40
12	6502 135	1	J, T	ER0		NUT, Hex Flange, M10x1.5
13	3420 1416	3		ER0		NUT, Hex Flange, M8x1.25



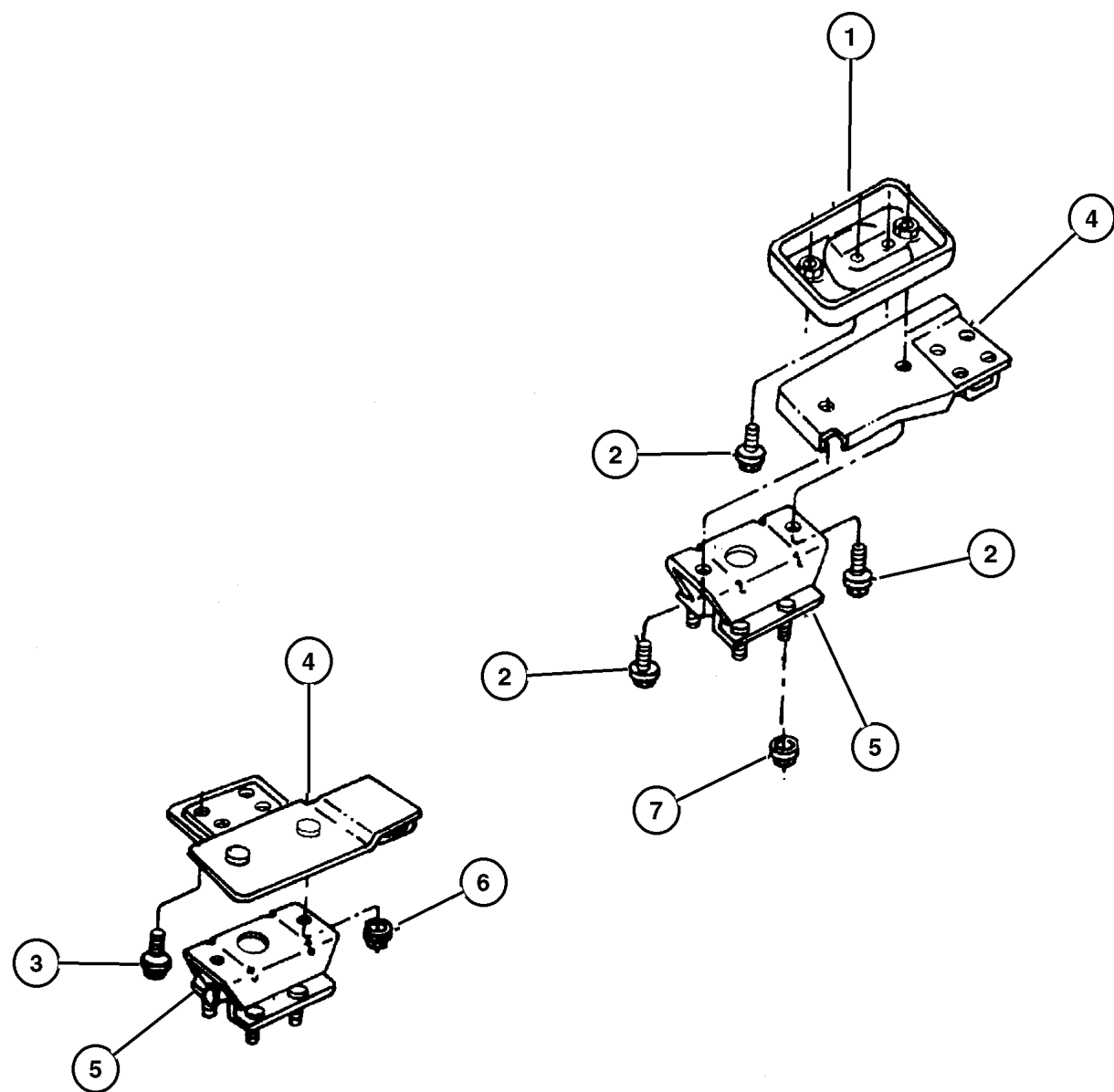
**JEEP CHEROKEE (XJ)**

SERIES	LINE	BODY	ENGINE	TRANSMISSION
P=Classic	J=LHD (4WD)	74=4 Dr.(101.4WB)	ENC,EN0=2.5L 4 cyl. Turbo Die	DDD, DDQ=5 spd. Man.
S=Limited	U=RHD (4WD)	72=2 Dr.(101.4WB)	ERH,ER0=4.0L Power Tech I-6	DGS=4 spd. Auto. AISIN
H=Sport	T=LHD (2WD)		EPE,EPO=Magnum 2.5L SMPI	DG0=All Auto/Trans.
L=SE	B=RHD (2WD)			DBB=All Manual Trans.

AR = Use as required - = Non illustrated part # = New this model year

April 5, 2002

## Engine Mounting, Rear 4.0L (ERH) Engine Figure 009-160



ITEM	PART NUMBER	QTY	LINE	ENGINE	TRANS	DESCRIPTION
NOTE: ER0=All 4.0L Engines, DBB= Manual Transmissions, DG0=All Automatic Transmissions manual, 12 Disc Magazine.						
1	5200 2337	1	B, T	ER0	DG0	BRACKET, Engine Mount
2	5201 7887	2	B, T	ER0	DG0	BOLT, Hex Flange Head, M12x1.75x25
3						BOLT, Hex Head, .437-14x1.25, (NOT SERVICED)
4						BRACKET, Transmission Mount
	52058 882AB	1		ER0	DG0	
	52058 883AB	1		ER0	DBB	
5	52059 347AA	1		ER0		INSULATOR, Engine Mount
6	6502 697	2				NUT, Hex Flange Lock, M12x1.75
7	6101 695	4		ER0		NUT, Hex Flange Lock, M8x1.25

JEEP CHEROKEE (XJ)				
SERIES	LINE	BODY	ENGINE	TRANSMISSION
P=Classic	J=LHD (4WD)	74=4 Dr.(101.4WB)	ENC,EN0=2.5L 4 cyl. Turbo Die	DDD, DDQ=5 spd. Man.
S=Limited	U=RHD (4WD)	72=2 Dr.(101.4WB)	ERH,ER0=4.0L Power Tech I-6	DGS=4 spd. Auto. AISIN
H=Sport	T=LHD (2WD)		EPE,EP0=Magnum 2.5L SMPI	DG0=All Auto/Trans.
L=SE	B=RHD (2WD)			DBB=All Manual Trans.

AR = Use as required - = Non illustrated part # = New this model year

# Group – 2.5L4

## Engine 2.5L Four Cylinder

### GROUP 2.5L4 - Engine 2.5L Four Cylinder

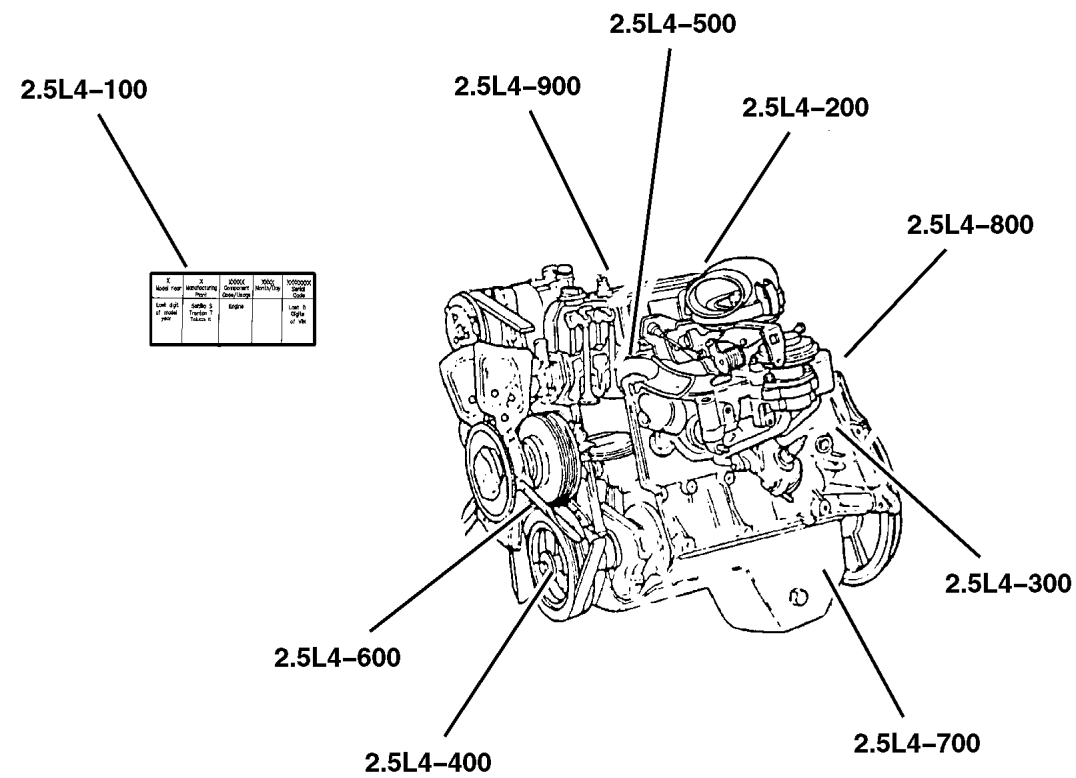


Illustration Title

Group-Fig. No.

#### Cylinder Head

Cylinder Head 2.5L (EPE) Engine ..... Fig. 2.5L4-210

#### Cylinder Block

Cylinder Block 2.5L (EPE) Engine ..... Fig. 2.5L4-310

#### Crankshaft, Piston and Drive Plate

Crankshaft, Piston and Torque Converter 2.5L (EPE) Engine ..... Fig. 2.5L4-410

#### Camshafts & Valves

Camshaft and Valves 2.5L (EPE) Engine ..... Fig. 2.5L4-510

#### Timing Belt and Cover

Timing Cover 2.5L (EPE) Engine ..... Fig. 2.5L4-610

#### Engine Oiling

Engine Oiling 2.5L (EPE) Engine ..... Fig. 2.5L4-710

#### Manifolds

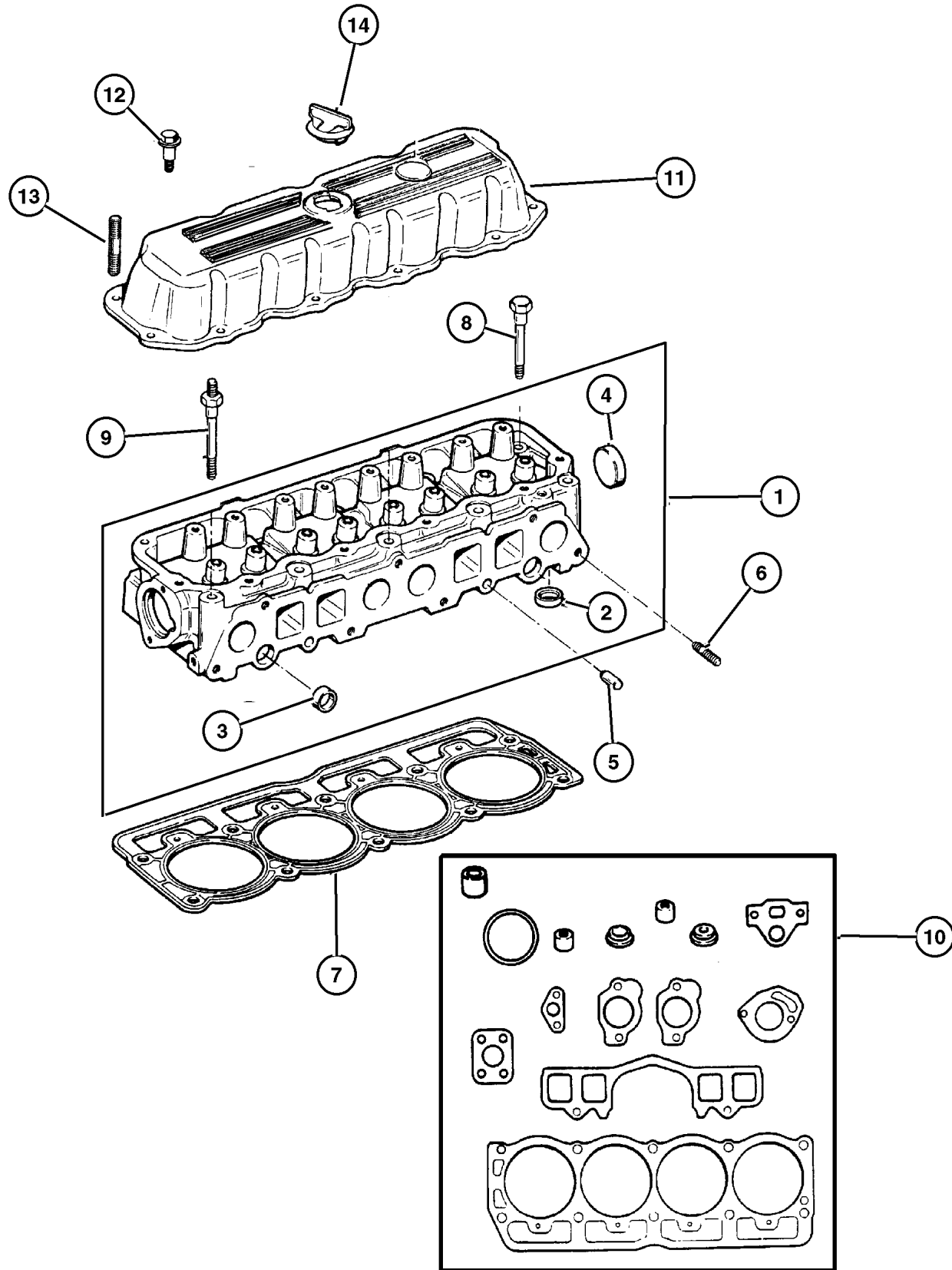
Manifold, Intake and Exhaust 2.5L (EPE) Engine ..... Fig. 2.5L4-810

#### Crankcase Ventilation

Crankcase Ventilation 2.5L (EPE) Engine ..... Fig. 2.5L4-910

<b>2.5L4-200</b> Cylinder Head 	<b>2.5L4-300</b> Cylinder Block 	<b>2.5L4-400</b> Crankshaft, Piston and Drive Plate 	<b>2.5L4-500</b> Camshafts & Valves 
<b>2.5L4-600</b> Timing Belt and Cover 	<b>2.5L4-700</b> Engine Oiling 	<b>2.5L4-800</b> Manifolds 	<b>2.5L4-900</b> Crankcase Ventilation 

**Cylinder Head 2.5L (EPE) Engine  
Figure 2.5L4-210**

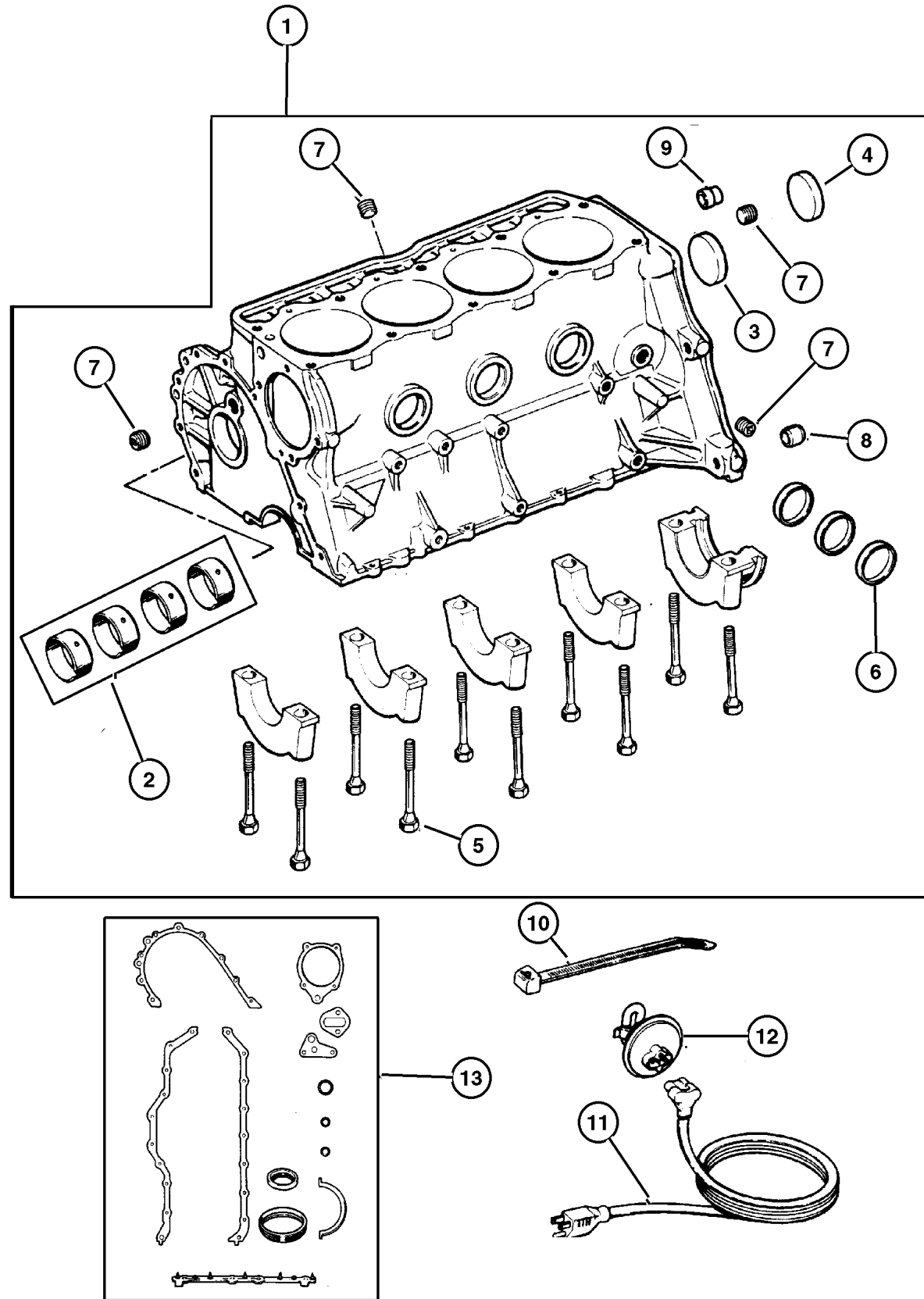


ITEM	PART NUMBER	QTY	LINE	ENGINE	TRANS	DESCRIPTION
NOTE: EP0=All 2.5L Gas Engines, ERO= All 4.0L Gas Engines manual, 12 Disc Magazine.						
1	33007 115AB	1		EP0		HEAD, Cylinder
2	3300 7142	4		EP0		SEAT, Exhaust Valve
3	J317 2319	4		EP0		PLUG, Cylinder Block Oil Hole
4	J310 5394	1		EP0		PLUG, Cylinder Block Oil Hole
5	J317 2318	2		EP0, ERO		DOWEL, Cylinder Head To Intake
6	6036 193AA	2		EP0, ERO		STUD, .375-16/.375-24x1.75
7	53009 549AB	1		EP0		GASKET, Cylinder Head
8	6035 514	5		EP0		BOLT, Cylinder Head
9	6035 516	4		EP0		STUD, Double Ended, .50-13/.437-14x6.00
10	4798 992AC	1		EP0		GASKET PACKAGE, Engine
11	53010 428AB	1		EP0		COVER, Cylinder Head
12	6035 566	1		EP0		BOLT, Hex Flange Head, .250-20x1.00
13	6035 968AA	10		EP0		STUD, .250-20x2.00
14	5302 0555	1		EP0		CAP, Oil Filler

JEEP CHEROKEE (XJ)				
SERIES	LINE	BODY	ENGINE	TRANSMISSION
P=Classic	J=LHD (4WD)	74=4 Dr.(101.4WB)	ENC,EN0=2.5L 4 cyl. Turbo Die	DDD, DDQ=5 spd. Man.
S=Limited	U=RHD (4WD)	72=2 Dr.(101.4WB)	ERH,ER0=4.0L Power Tech I-6	DGS=4 spd. Auto. AISIN
H=Sport	T=LHD (2WD)		EPE,EP0=Magnum 2.5L SMPI	DG0=All Auto/Trans.
L=SE	B=RHD (2WD)			DBB=All Manual Trans.



**Cylinder Block 2.5L (EPE) Engine**  
**Figure 2.5L4-310**



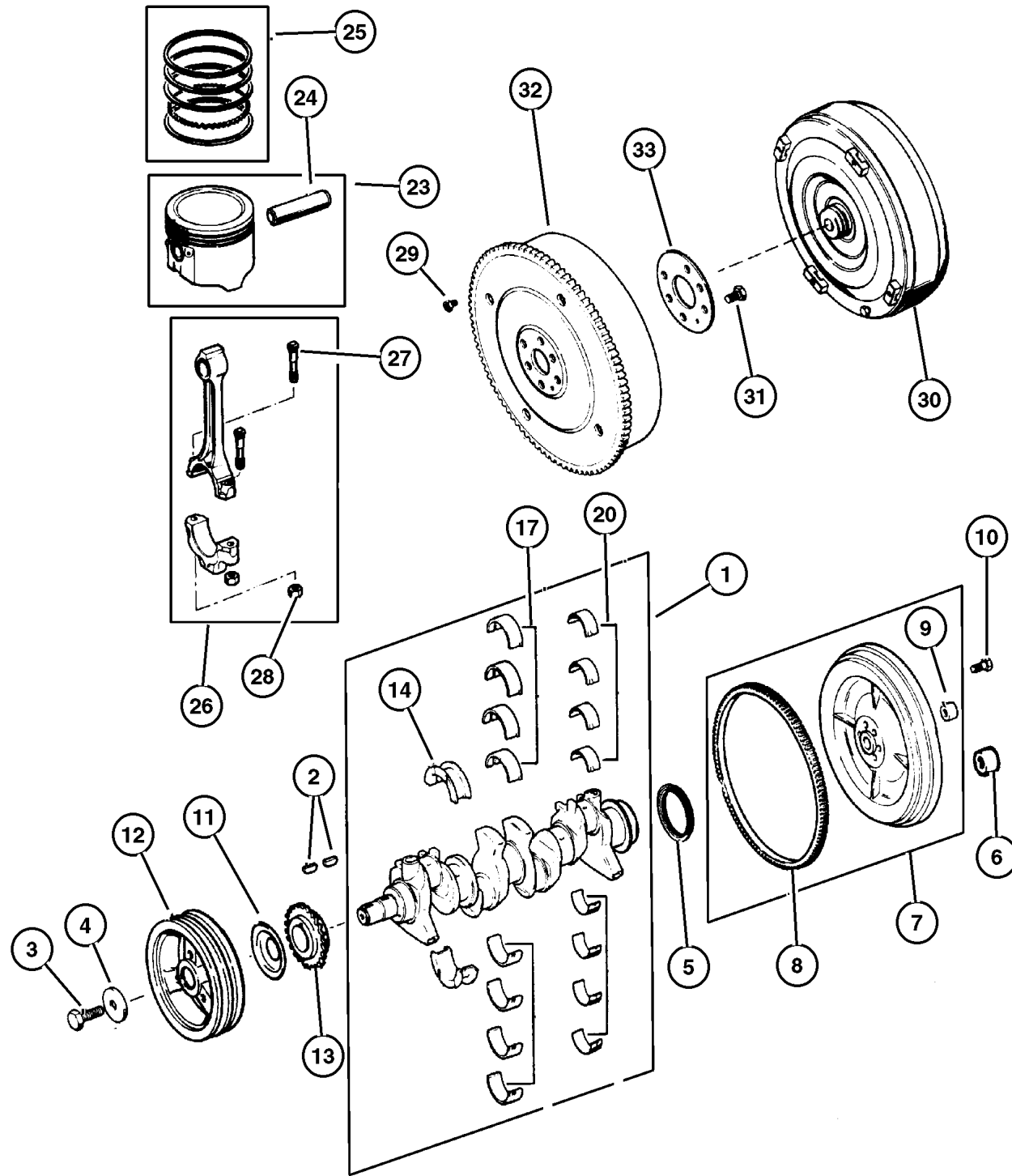
ITEM	PART NUMBER	QTY	LINE	ENGINE	TRANS	DESCRIPTION
NOTE: EP0=All 2.5L Gas Engines manual, 12 Disc Magazine.						
1	4856 744	1		EP0		BLOCK, Short
2	4636 985AB	1		EP0		BEARING PACKAGE, Camshaft, Standard Size
3	J317 2313	1		EP0		PLUG, Camshaft
4	5302 0465	1		EP0		PLUG, Cylinder Block
5	J400 6948	10		EP0		BOLT, Hex Head, .50-13x2.97
6	J400 6580	3		EP0		PLUG, Cylinder Block Oil Hole
7	6034 166	3		EP0		PLUG, Cylinder Block Oil Hole
8	J400 6953	1		EP0		DOWEL, Block To Cylinder Head
9	J324 1332	1		EP0		DOWEL, Clutch Housing To Block
10	J369 3058	1	U			STRAP, Retaining
		1	J			
11	5300 0878	1		EP0		CORD, Engine Block Heater
12	8230 0749	1		EP0		HEATER KIT, Engine Block
13	4713 023AC	1		EP0		GASKET PACKAGE, Engine

JEEP CHEROKEE (XJ)				
SERIES	LINE	BODY	ENGINE	TRANSMISSION
P=Classic	J=LHD (4WD)	74=4 Dr.(101.4WB)	ENC,EN0=2.5L 4 cyl. Turbo Die	DDD, DDQ=5 spd. Man.
S=Limited	U=RHD (4WD)	72=2 Dr.(101.4WB)	ERH,ER0=4.0L Power Tech I-6	DGS=4 spd. Auto. AISIN
H=Sport	T=LHD (2WD)		EPE,EP0=Magnum 2.5L SMPI	DG0=All Auto/Trans.
L=SE	B=RHD (2WD)			DBB=All Manual Trans.

AR = Use as required - = Non illustrated part # = New this model year

April 5, 2002

## Crankshaft, Piston and Torque Converter 2.5L (EPE) Engine Figure 2.5L4-410



ITEM	PART NUMBER	QTY	LINE	ENGINE	TRANS	DESCRIPTION
NOTE: EP0=All 2.5L Gas Engines, ERO= All 4.0L Gas Engines, DBB=All Manual Transmissions manual, 12 Disc Magazine. DGO= All Automatic Transmissions, DGD= 3 Speed Automatic Transmissions manual, 12 Disc Magazine.						
1	#4713 051AB	1		EP0		CRANKSHAFT
2	6034 749	1		EP0, ERO		KEY, Crankshaft Sprocket
3	0182 776	1		EP0, ERO		BOLT
4	J323 0155	1		EP0, ERO		WASHER, Plain
5	3300 4143	1		EP0		SEAL, Rear Main Crankshaft
6	5211 7830	1		EP0	DGO	ADAPTER, Torque Converter
7	5302 0578	1		EP0	DBB	FLYWHEEL
8	J324 1718	1		EP0	DBB	GEAR, Ring
9	J325 0005	1		EP0	DBB	BEARING, Pilot
10	J400 7123	6		EP0	DBB	BOLT, Flywheel
11	J317 3076	1		EP0, ERO		SLINGER, Oil
12	3300 2879	1		EP0		DAMPER, Crankshaft
13	3300 4020	1		EP0		GEAR, Crankshaft
14	8350 7084	1		EP0, ERO		BEARING PACKAGE, Crankshaft Thrust, Standard Size
-15	8350 7086	AR		EP0, ERO		BEARING PACKAGE, Crankshaft Thrust, .001" Undersize
-16	8350 7090	AR		EP0, ERO		BEARING PACKAGE, Crankshaft Thrust, .010" Undersize
17	8350 7079	4		EP0		BEARING PACKAGE, Crankshaft, Standard
-18	8350 7080	AR		EP0, ERO		BEARING PACKAGE, Crankshaft, .001 Undersize
-19	8350 7083	AR		EP0, ERO		BEARING PACKAGE, Crankshaft, .010 Undersize
20	8350 0300	8		EP0		BEARING KIT, Connecting Rod, Standard
-21	8350 1397	AR		EP0, ERO		BEARING KIT, Connecting Rod, .001 Undersize
-22	8350 0301	AR		EP0, ERO		BEARING KIT, Connecting Rod, .010 Undersize
23						PISTON PIN AND ROD
	4798 329	4		EP0		B Size, 3.8742
	4798 330	4		EP0		C Size, 3.8746
	4798 331	4		EP0		D Size, 3.8750
	4798 332	4		EP0		E Size, 3.8754
	4798 333	4		EP0		F Size, 3.8758
24						PIN, Piston, Serviced in Piston Assembly, (NOT SERVICED)

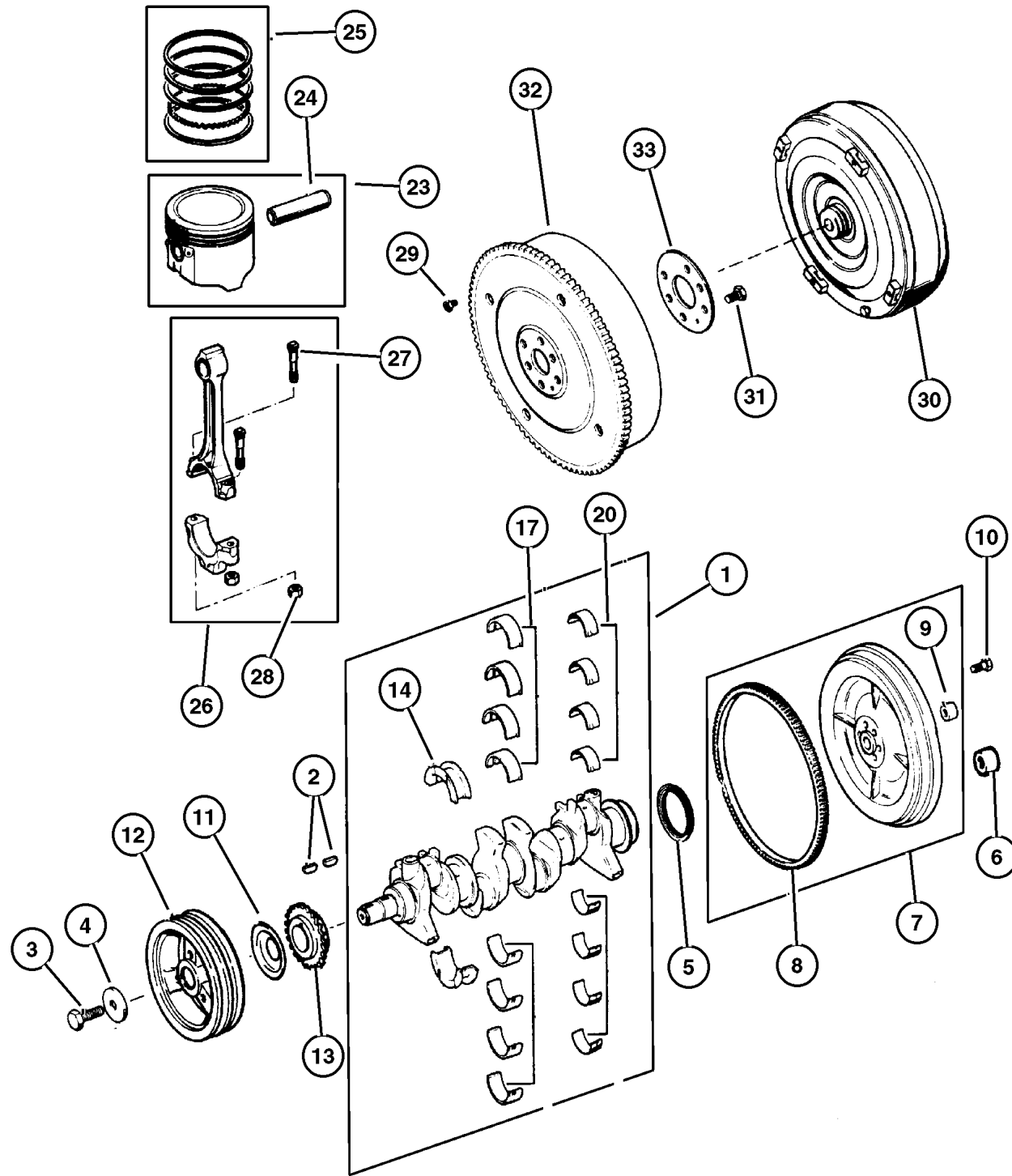
### JEEP CHEROKEE (XJ)

SERIES	LINE	BODY	ENGINE	TRANSMISSION
P=Classic	J=LHD (4WD)	74=4 Dr.(101.4WB)	ENC,EN0=2.5L 4 cyl. Turbo Die	DDD, DDQ=5 spd. Man.
S=Limited	U=RHD (4WD)	72=2 Dr.(101.4WB)	ERH,ER0=4.0L Power Tech I-6	DGS=4 spd. Auto. AISIN
H=Sport	T=LHD (2WD)		EPE,EP0=Magnum 2.5L SMPI	DGO=All Auto/Trans.
L=SE	B=RHD (2WD)			DBB=All Manual Trans.

AR = Use as required - = Non illustrated part # = New this model year

April 5, 2002

**Crankshaft, Piston and Torque Converter 2.5L (EPE) Engine  
Figure 2.5L4-410**



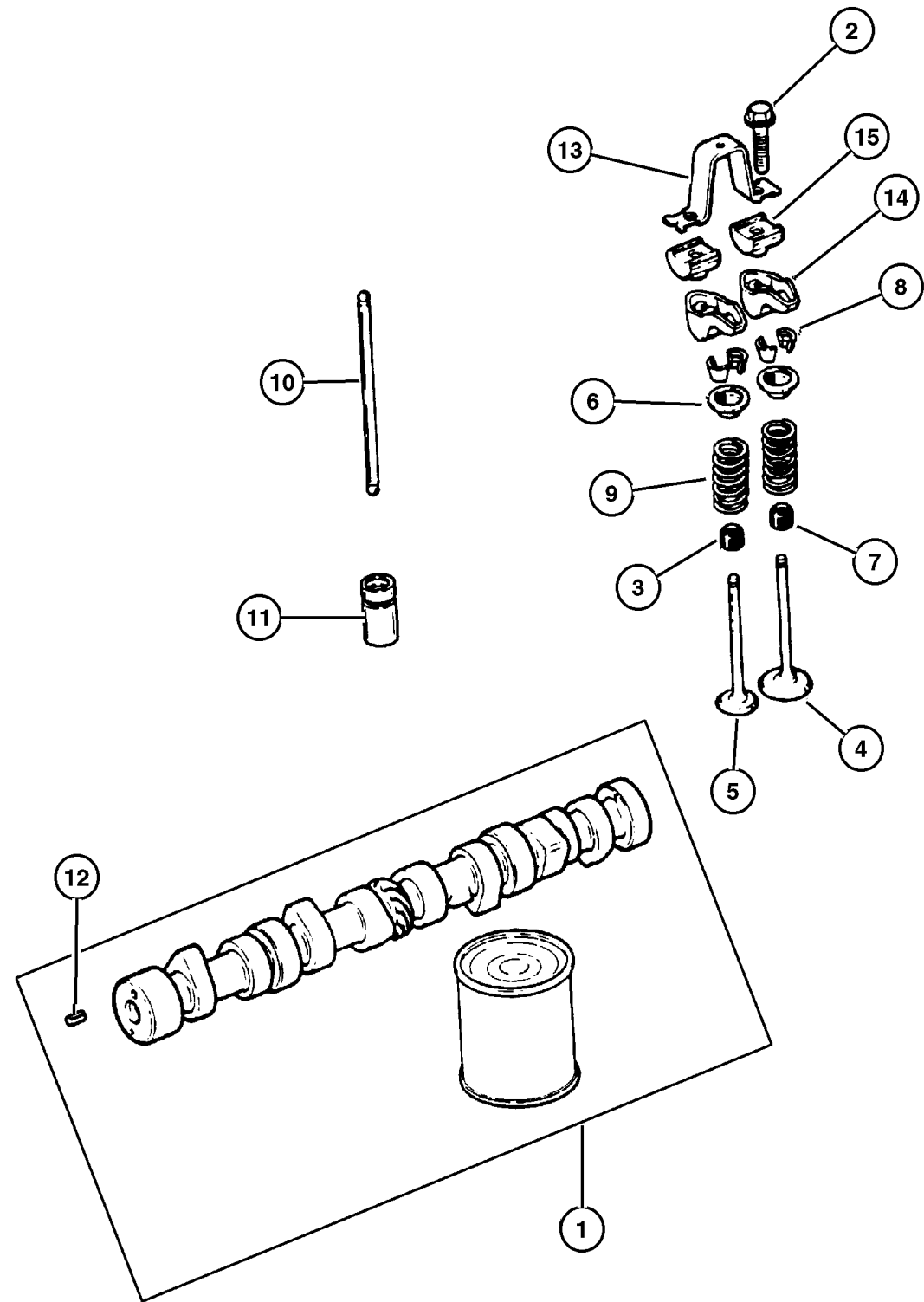
ITEM	PART NUMBER	QTY	LINE	ENGINE	TRANS	DESCRIPTION
25	4798 324	1		EP0		RING PACKAGE, Piston, Standard Size Complete Engine
26						ROD, Connecting, Serviced in Piston Assembly, (NOT SERVICED)
27	5302 0123	8		EP0		BOLT, Connecting Rod
28	J400 6385	8		EP0		NUT, Hex Flange, .3437-24
29	6501 099	4		EP0	DGD	BOLT, Hex Head, M10x1.50 x 13.20
30	4736 388AB	1		EP0	DGD	CONVERTER, Torque
31	6034 780	6		EP0	DG0	BOLT, Hex Head, .437-24x1.20
32	5210 4139	1		EP0	DG0	PLATE, Torque Converter Drive
33	5211 7830	1		EP0	DG0	ADAPTER, Torque Converter

JEEP CHEROKEE (XJ)				
SERIES	LINE	BODY	ENGINE	TRANSMISSION
P=Classic	J=LHD (4WD)	74=4 Dr.(101.4WB)	ENC,EN0=2.5L 4 cyl. Turbo Die	DDD, DDQ=5 spd. Man.
S=Limited	U=RHD (4WD)	72=2 Dr.(101.4WB)	ERH,ER0=4.0L Power Tech I-6	DGS=4 spd. Auto. AISIN
H=Sport	T=LHD (2WD)		EPE,EP0=Magnum 2.5L SMPI	DG0=All Auto/Trans.
L=SE	B=RHD (2WD)			DBB=All Manual Trans.

AR = Use as required - = Non illustrated part # = New this model year

April 5, 2002

## Camshaft and Valves 2.5L (EPE) Engine Figure 2.5L4-510



ITEM	PART NUMBER	QTY	LINE	ENGINE	TRANS	DESCRIPTION
------	-------------	-----	------	--------	-------	-------------

NOTE: EP0=All 2.5L Gas Engines manual, 12 Disc Magazine.

1	5302 0497	1		EP0		CAMSHAFT, Engine
2	J942 5708	8		EP0		BOLT, Hex Flange Head, .312-18x1.25
3	5300 9887	4		EP0		SEAL, Valve Guide, Standard
4	53010 512AA	6		ER0		VALVE, Intake, Standard
5	53010 513AA	4		EP0		VALVE, Exhaust, Standard
6	53010 514AA	8		EP0		RETAINER, Valve Spring
7	5300 9886	4		EP0		SEAL, Valve Guide
8	53010 515AA	16		EP0		LOCK, Valve Spring Retainer
9	5301 0388	8		EP0		SPRING, Valve
10	J324 1709	8		EP0		PUSH ROD, FRONT SUSPENSION
11	4740 269	8		EP0		TAPPET, Valve
12	J045 6384	1		EP0		DOWEL, Camshaft Sprocket
13	J323 6513	4		EP0		BRIDGE, Rocker Arm
14	J324 2393	8		EP0		ROCKER ARM, Valve
15	J323 5090	8		EP0		PIVOT, Rocker Arm

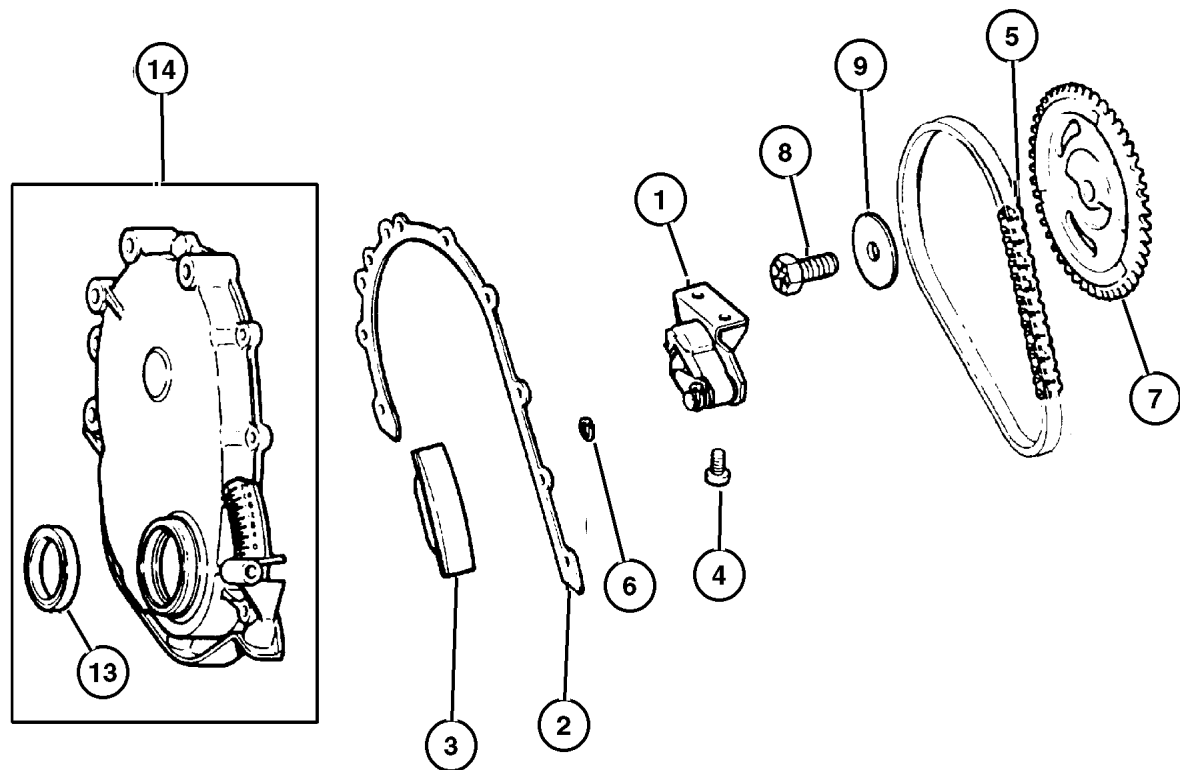
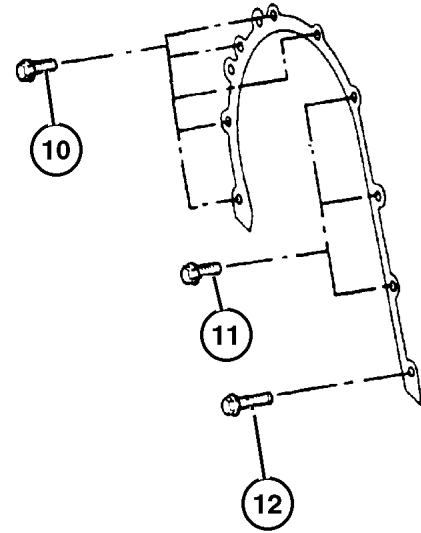
JEEP CHEROKEE (XJ)				
SERIES	LINE	BODY	ENGINE	TRANSMISSION
P=Classic	J=LHD (4WD)	74=4 Dr.(101.4WB)	ENC,EN0=2.5L 4 cyl. Turbo Die	DDD, DDQ=5 spd. Man.
S=Limited	U=RHD (4WD)	72=2 Dr.(101.4WB)	ERH,ER0=4.0L Power Tech I-6	DGS=4 spd. Auto. AISIN
H=Sport	T=LHD (2WD)		EPE,EP0=Magnum 2.5L SMPI	DG0=All Auto/Trans.
L=SE	B=RHD (2WD)			DBB=All Manual Trans.

AR = Use as required - = Non illustrated part # = New this model year

April 5, 2002

**Timing Cover 2.5L (EPE) Engine  
Figure 2.5L4-610**

ITEM	PART NUMBER	QTY	LINE	ENGINE	TRANS	DESCRIPTION
NOTE: EP0=All 2.5L Gas Engines, ERO= All 4.0L Gas Engines manual, 12 Disc Magazine.						
1	3300 3421	1		EP0		TENSIONER, Belt
2	5302 0487	1		EP0, ERO		GASKET, Front Cover
3	3300 3446	1		EP0, ERO		SNUBBER, Timing Chain
4	J400 6708	2		EP0		SCREW, Pan Head, .312-18x.56
5	J324 2300	1		EP0		CHAIN, Timing
6						CLIP, Serviced in Tensioner Assembly, (NOT SERVICED)
7	J324 2280	1		EP0		GEAR, Camshaft
8	J324 3156	1		EP0		BOLT, Hex Flange Head, .50-20x1.38
9	J317 3284	1		EP0		WASHER, Flat, .206 Diameter
10	6035 893	5		EP0, ERO		BOLT, Hex
11	6035 894	2		EP0		SCREW
12	6035 895	1		EP0, ERO		SCREW
13	3300 4681	1		EP0, ERO		SEAL, Front Main Crankshaft
14	5302 0222	1		EP0, ERO		COVER, Timing Belt



**JEEP CHEROKEE (XJ)**

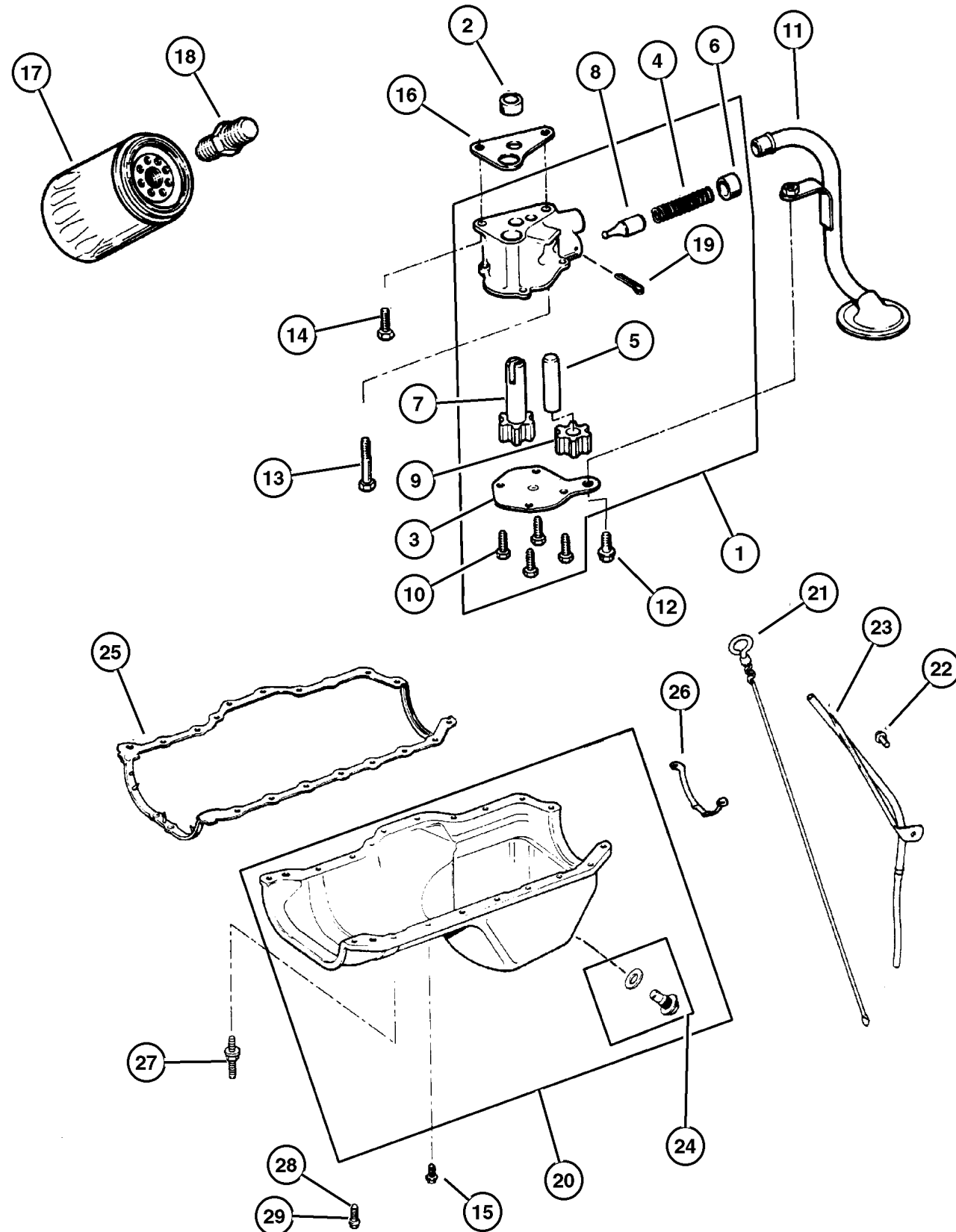
SERIES	LINE	BODY	ENGINE	TRANSMISSION
P=Classic	J=LHD (4WD)	74=4 Dr.(101.4WB)	ENC,EN0=2.5L 4 cyl. Turbo Die	DDD, DDQ=5 spd. Man.
S=Limited	U=RHD (4WD)	72=2 Dr.(101.4WB)	ERH,ER0=4.0L Power Tech I-6	DGS=4 spd. Auto. AISIN
H=Sport	T=LHD (2WD)		EPE,EP0=Magnum 2.5L SMPI	DG0=All Auto/Trans.
L=SE	B=RHD (2WD)			DBB=All Manual Trans.

AR = Use as required - = Non illustrated part # = New this model year

April 5, 2002

**Engine Oiling 2.5L (EPE) Engine  
Figure 2.5L4-710**

ITEM	PART NUMBER	QTY	LINE	ENGINE	TRANS	DESCRIPTION
NOTE:EPO= All 2.5L Gas Engines, ERO= All 4.0L Gas Engines manual, 12 Disc Magazine.						
1	J324 1399	1		EP0		PUMP, Engine Oil
2	J400 5149	1		EP0, ERO		DOWEL, Oil Pump
3	J324 1733	1		EP0		COVER, Engine Oil Pump
4	J323 9668	1		EP0		SPRING, Oil Pressure Relief Valve
5	J317 1956	1		EP0		SHAFT, Oil Pump
6	J317 1958	1		EP0		RETAINER, Oil Release Valve
7	J317 2334	1		EP0		GEAR, Oil Pump
8	J318 8661	1		EP0		PLUNGER, Oil Pressure Relief Valve
9	J319 6843	1		EP0		GEAR, Oil Pump Driven
10	J941 6852	4		EP0		SCREW, Hex Flange Head, .25-20x.50
11	5302 0564	1		EP0		TUBE, Oil Pump Inlet
12	J941 9683	1		EP0		BOLT, Hex Flange Head, .312-18x.625
13	0154 593	1		EP0, ERO		SCREW, Hex Head Coned, .312-18x2.625
14	6022 235	1		EP0, ERO		BOLT AND WASHER, Hex Head, .312-18x1.00
15	6034 732	13		EP0		SCREW AND WASHER, Hex Head, .25-20x.545
16	J317 2332	1		EP0, ERO		GASKET, Oil Pump
17	5281 090	1		EP0, ERO		FILTER, Engine Oil
18	5300 7563	1		EP0		CONNECTOR, Oil Filter
19	J027 1448	1		EP0		PIN, Roll, 5/32" x 1.00"
20	5302 0560	1		EP0		PAN, Engine Oil
21	53010 444AB	1		EP0		INDICATOR, Engine Oil Level
22	6035 664	1		EP0, ERO		STUD, .312-18x1.560
23	5301 0343	1		EP0		TUBE, Oil Filler
24	6035 417	1		EP0		PLUG, Oil Drain
25	5300 7567	1		EP0		GASKET, Oil Pan
26	J324 3116	1		EP0		SUPPORT, Engine Oil Pan
27	6034 734	6		EP0		BOLT, Double Stud Hex, .250-20x1.437 & .250-20 x.700
28	6034 483	3		EP0		SCREW, Hex Head Coned, .312-18x.875
29	6034 733	1		EP0		STUD, .312-18/.250-20x1.680



**JEEP CHEROKEE (XJ)**

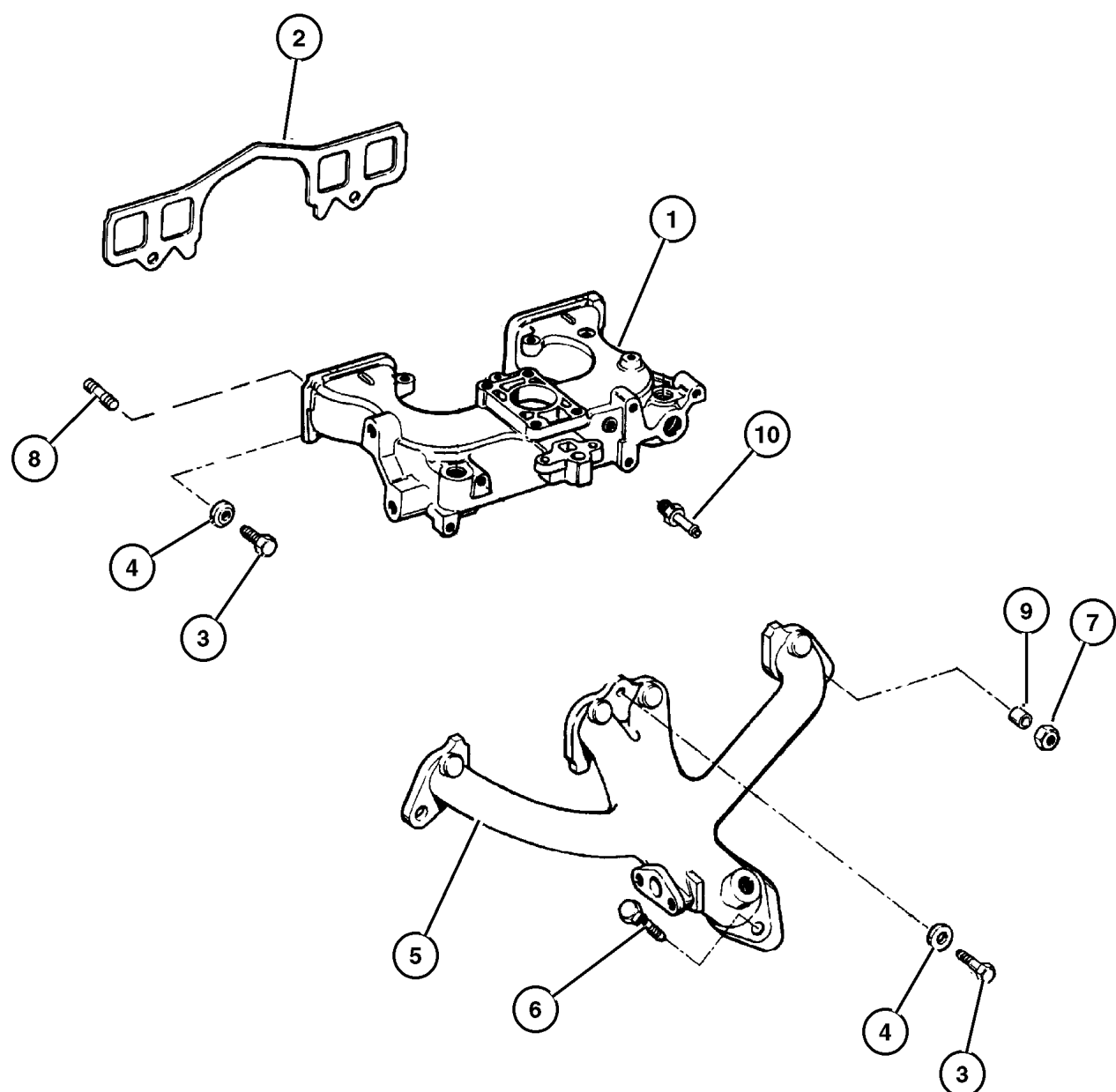
SERIES	LINE	BODY	ENGINE	TRANSMISSION
P=Classic	J=LHD (4WD)	74=4 Dr.(101.4WB)	ENC,EN0=2.5L 4 cyl. Turbo Die	DDD, DDQ=5 spd. Man.
S=Limited	U=RHD (4WD)	72=2 Dr.(101.4WB)	ERH,ER0=4.0L Power Tech I-6	DGS=4 spd. Auto. AISIN
H=Sport	T=LHD (2WD)		EPE,EP0=Magnum 2.5L SMPI	DG0=All Auto/Trans.
L=SE	B=RHD (2WD)			DBB=All Manual Trans.

AR = Use as required - = Non illustrated part # = New this model year

April 5, 2002

**Manifold, Intake and Exhaust 2.5L (EPE) Engine**  
**Figure 2.5L4-810**

ITEM	PART NUMBER	QTY	LINE	ENGINE	TRANS	DESCRIPTION
NOTE: EP0=All 2.5L Gas Engines, ERO= All 4.0L Gas Engines manual, 12 Disc Magazine.						
1	5301 0245	1		EP0		MANIFOLD, Intake
2	5302 0112	1		EP0		GASKET, Intake Manifold
3	6036 045AA	4		EP0		BOLT AND RETAINER, Hex Head
4	6036 171AA	2		EP0,		NUT AND WASHER
				ERO		
5	5300 8860	1		EP0		MANIFOLD, Exhaust
6	J400 7109	2		EP0		STUD, .375-16x1.69
7	3300 3332	2		EP0		SPACER, Exhaust Manifold
8	6036 193AA	2		EP0,		STUD, .375-16/.375-24x1.75
				ERO		
9	3300 3332	2		EP0		SPACER, Exhaust Manifold
10						FITTING, Vacuum
	4854 194	1		EP0		Power Brake
		1		EP0		Crankcase Ventilation
		1		EP0		Duty Cycle Purge Solenoid
	5302 0027	1		EP0		Heater Control



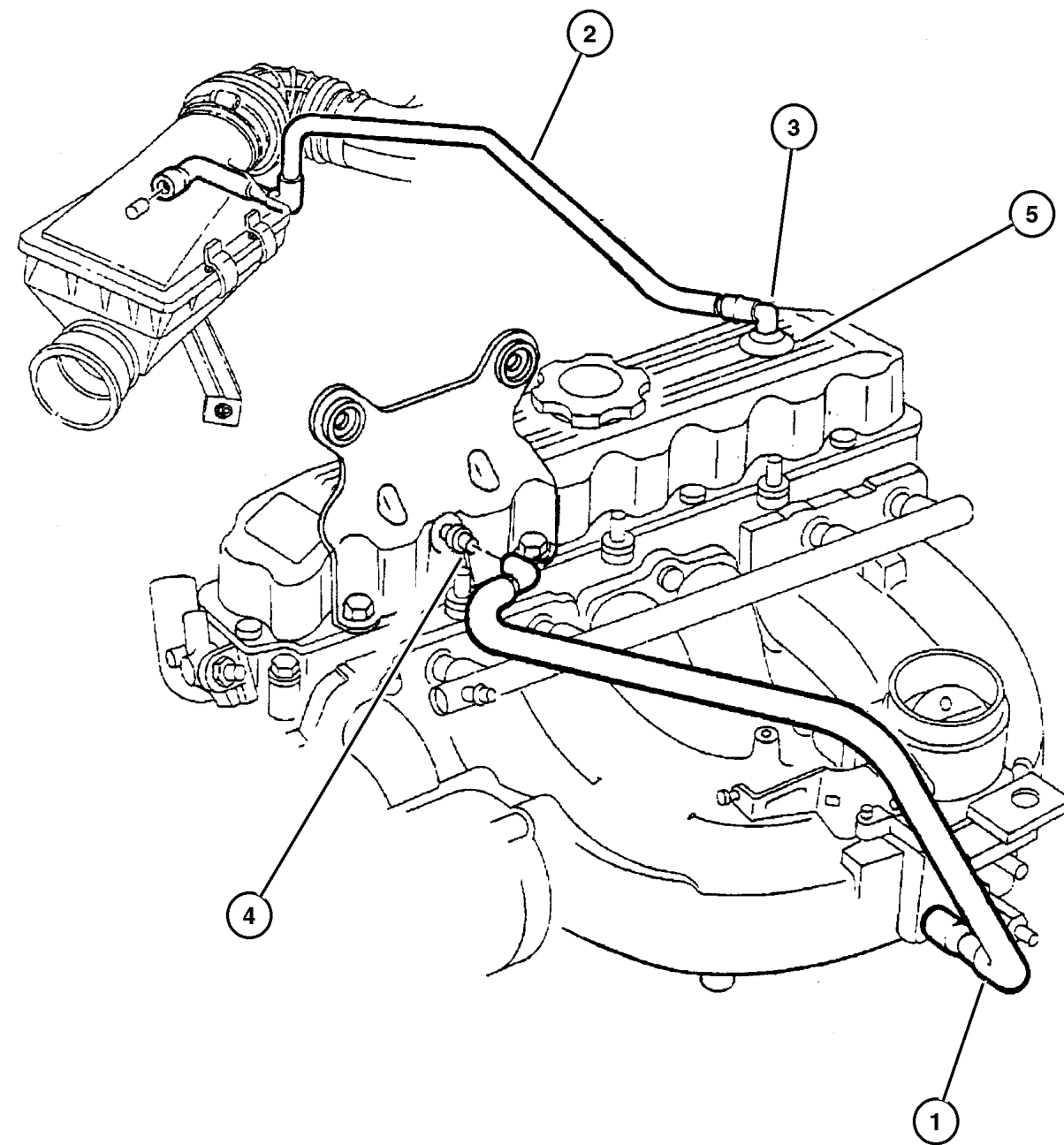
JEEP CHEROKEE (XJ)				
SERIES	LINE	BODY	ENGINE	TRANSMISSION
P=Classic	J=LHD (4WD)	74=4 Dr.(101.4WB)	ENC,EN0=2.5L 4 cyl. Turbo Die	DDD, DDQ=5 spd. Man.
S=Limited	U=RHD (4WD)	72=2 Dr.(101.4WB)	ERH,ER0=4.0L Power Tech I-6	DGS=4 spd. Auto. AISIN
H=Sport	T=LHD (2WD)		EPE,EP0=Magnum 2.5L SMPI	DG0=All Auto/Trans.
L=SE	B=RHD (2WD)			DBB=All Manual Trans.

**Crankcase Ventilation 2.5L (EPE) Engine  
Figure 2.5L4-910**

ITEM	PART NUMBER	QTY	LINE	ENGINE	TRANS	DESCRIPTION
------	-------------	-----	------	--------	-------	-------------

NOTE: EP0=All 2.5L Gas Engines manual, 12 Disc Magazine.

1	4854 072	1		EP0		TUBE, Vent
2	4854 192	1		EP0		TUBE, Crankcase Vent To Air Cleaner
3	5303 0991	1		EP0		FITTING, Crankcase Vent Tube
4	3300 4175	1		EP0		CONNECTOR, Vacuum Hose
5	2946 079	1		EP0		GROMMET, Crankcase Vent



JEEP CHEROKEE (XJ)				
SERIES	LINE	BODY	ENGINE	TRANSMISSION
P=Classic	J=LHD (4WD)	74=4 Dr.(101.4WB)	ENC,EN0=2.5L 4 cyl. Turbo Die	DDD, DDQ=5 spd. Man.
S=Limited	U=RHD (4WD)	72=2 Dr.(101.4WB)	ERH,ER0=4.0L Power Tech I-6	DGS=4 spd. Auto. AISIN
H=Sport	T=LHD (2WD)		EPE,EP0=Magnum 2.5L SMPI	DG0=All Auto/Trans.
L=SE	B=RHD (2WD)			DBB=All Manual Trans.

AR = Use as required - = Non illustrated part # = New this model year

April 5, 2002



# Group – 4.0L

## Engine 4.0L Six Cylinder

### GROUP 4.0L - Engine 4.0L Six Cylinder

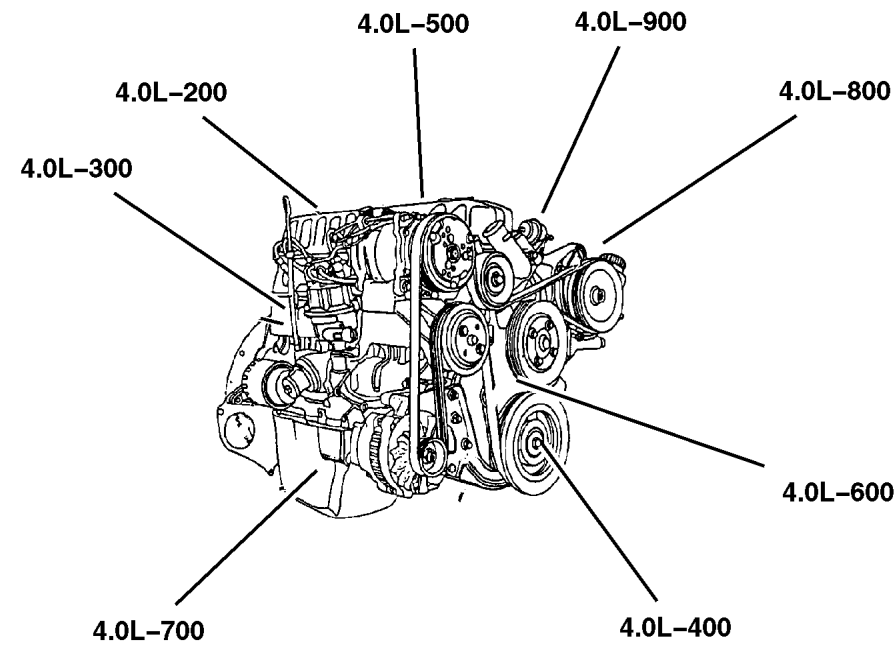


Illustration Title

Group-Fig. No.

#### Cylinder Head

Cylinder Head 4.0L (ERH) Engine ..... Fig. 4.0L-210

#### Cylinder Block

Cylinder Block 4.0L (ERH) Engine ..... Fig. 4.0L-310

#### Crankshaft, Piston and Torque Converter

Crankshaft, Piston and Torque Converter 4.0L (ERH) Engine ..... Fig. 4.0L-410

#### Camshafts & Valves

Camshaft and Valves 4.0L (ERH) Engine ..... Fig. 4.0L-510

#### Timing Belt and Cover

Timing Cover 4.0L (ERH) Engine ..... Fig. 4.0L-610

#### Engine Oiling

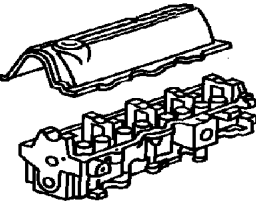
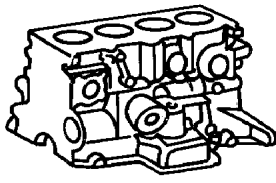
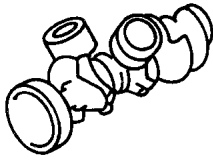
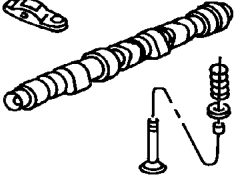
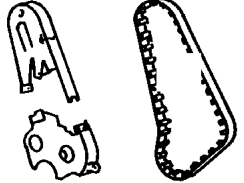
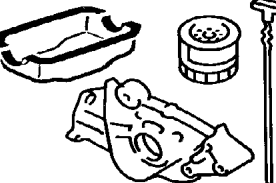
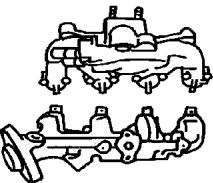
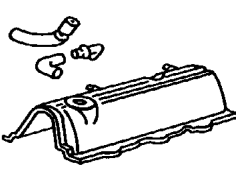
Engine Oiling 4.0L (ERH) Engine ..... Fig. 4.0L-710

#### Manifolds

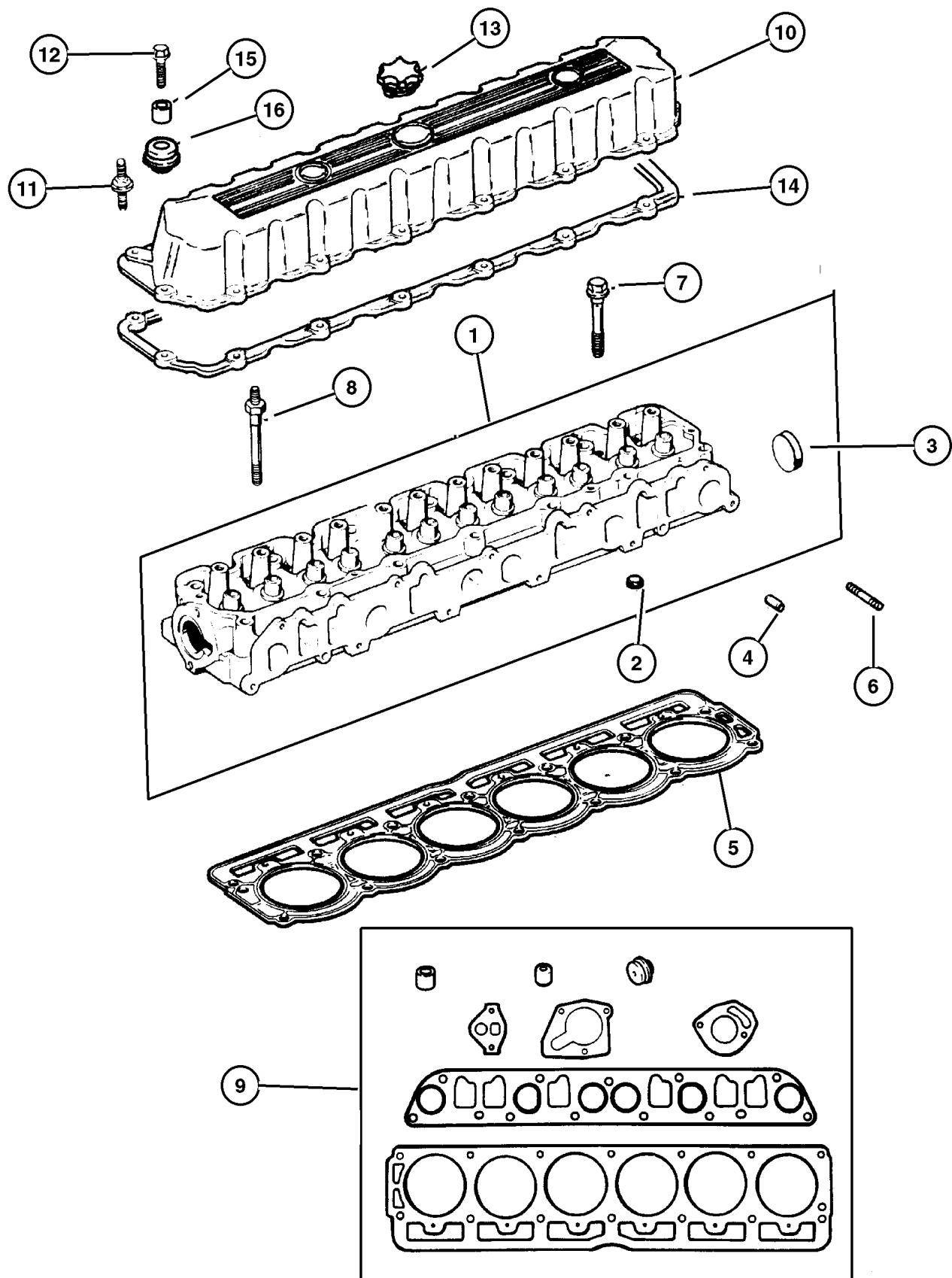
Manifold, Intake and Exhaust 4.0L (ERH) Engine ..... Fig. 4.0L-810

#### Crankcase Ventilation

Crankcase Ventilation 4.0L (ERH) Engine ..... Fig. 4.0L-910

<p><b>4.0L-200</b> Cylinder Head</p> 	<p><b>4.0L-300</b> Cylinder Block</p> 	<p><b>4.0L-400</b> Crankshaft, Piston and Torque Converter</p> 	<p><b>4.0L-500</b> Camshafts &amp; Valves</p> 
<p><b>4.0L-600</b> Timing Belt and Cover</p> 	<p><b>4.0L-700</b> Engine Oiling</p> 	<p><b>4.0L-800</b> Manifolds</p> 	<p><b>4.0L-900</b> Crankcase Ventilation</p> 

**Cylinder Head 4.0L (ERH) Engine  
Figure 4.0L-210**

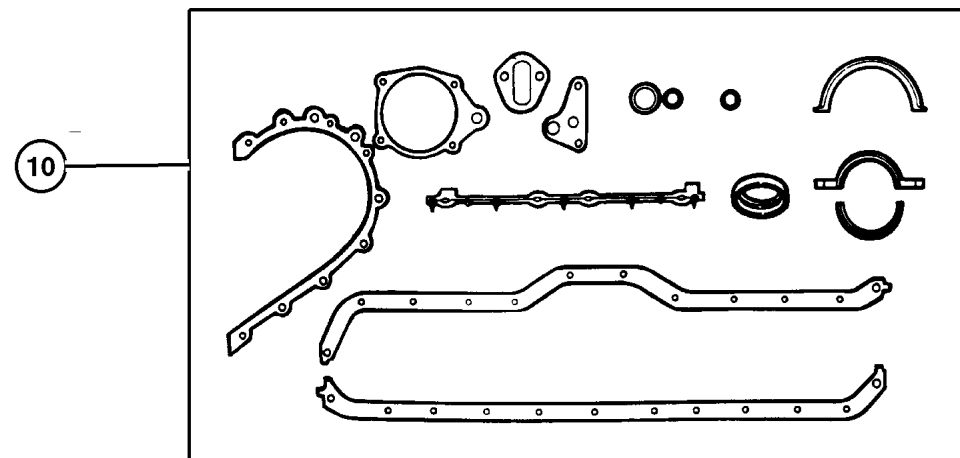
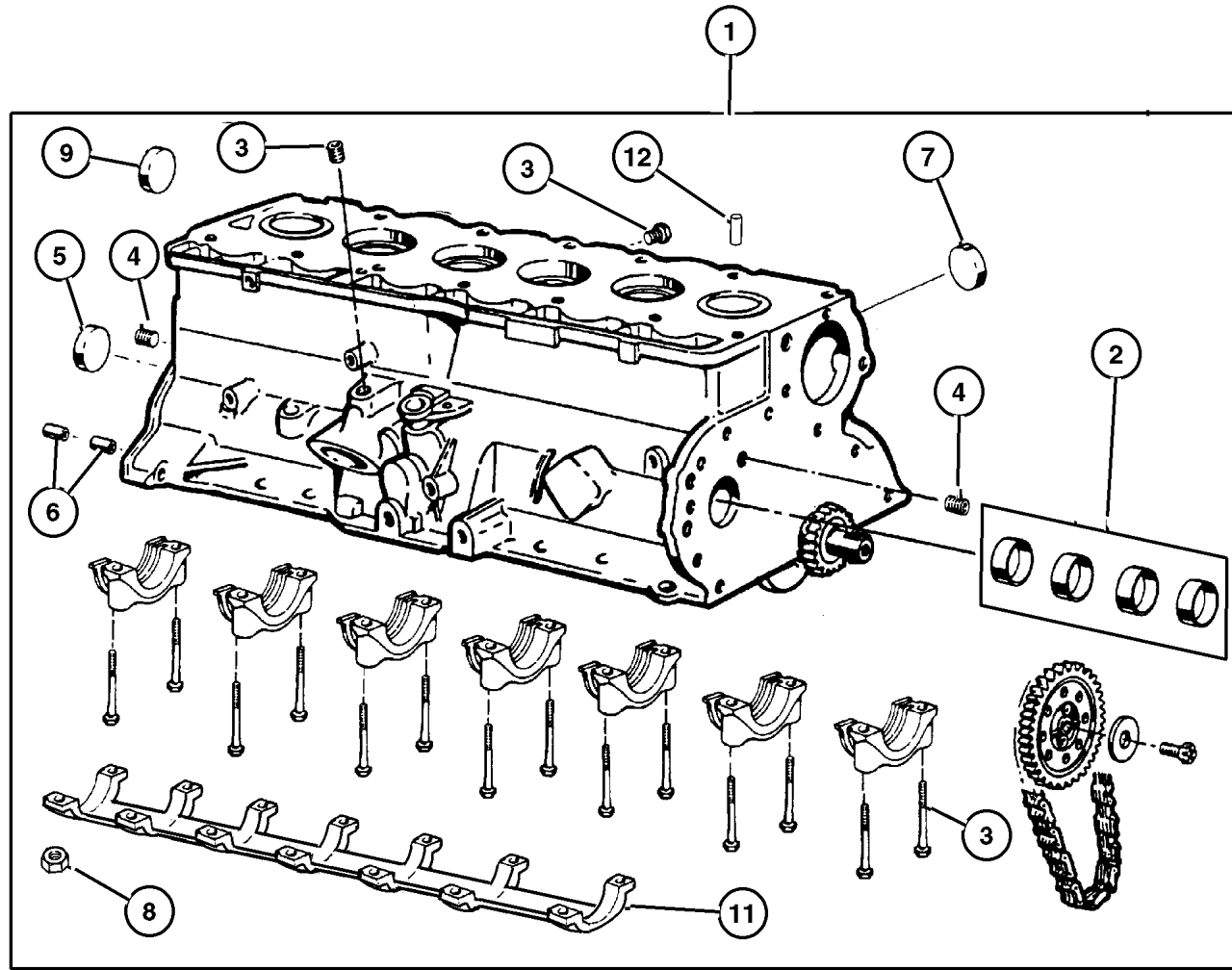


ITEM	PART NUMBER	QTY	LINE	ENGINE	TRANS	DESCRIPTION
NOTE: ER0=All 4.0L Engines, EPO= All 2.5L Gas Engines manual, 12 Disc Magazine.						
1	5301 0334	1		ER0		HEAD, Cylinder
2	J400 7434	4		ER0		PLUG, Cylinder Block Oil Hole
3	J310 5394	1		ER0		PLUG, Cylinder Block Oil Hole
4	J317 2318	2		EP0,		DOWEL, Cylinder Head To Intake
5	53020 754AB	1		ER0		GASKET, Cylinder Head
6	6036 193AA	2		EP0,		STUD, .375-16/.375-24x1.75
7				ER0		BOLT, Cylinder Head
	6035 514	5		ER0		w/o Dome
	6035 515	2		ER0		w/Dome
8	6035 516	6		ER0		STUD, Double Ended, .50-13/.437-14x6.00
9	5012 365AA	1		ER0		GASKET PACKAGE, Engine Upper
10	5302 0323	1		ER0		COVER, Cylinder Head
11	6035 968AA	7		ER0		STUD, .250-20x2.00
12	6035 566	8		ER0		BOLT, Hex Flange Head, .250-20x1.00
13	4777 536	1		ER0		CAP, Oil Filler
14	53020 758AC	1		ER0		GASKET, Valve Cover
15	53020 598AB	15		ER0		SLEEVE, Torque Limiter
16	5301 0424	15		ER0		GROMMET, Insulator

JEEP CHEROKEE (XJ)				
SERIES	LINE	BODY	ENGINE	TRANSMISSION
P=Classic	J=LHD (4WD)	74=4 Dr.(101.4WB)	ENC,EN0=2.5L 4 cyl. Turbo Die	DDD, DDQ=5 spd. Man.
S=Limited	U=RHD (4WD)	72=2 Dr.(101.4WB)	ERH,ER0=4.0L Power Tech I-6	DGS=4 spd. Auto. AISIN
H=Sport	T=LHD (2WD)		EPE,EP0=Magnum 2.5L SMPI	DG0=All Auto/Trans.
L=SE	B=RHD (2WD)			DBB=All Manual Trans.

AR = Use as required - = Non illustrated part # = New this model year April 5, 2002

**Cylinder Block 4.0L (ERH) Engine  
Figure 4.0L-310**



ITEM	PART NUMBER	QTY	LINE	ENGINE	TRANS	DESCRIPTION
------	-------------	-----	------	--------	-------	-------------

NOTE: ER0=All 4.0L Engines, EPO= All 2.5L Gas Engines manual, 12 Disc Magazine.

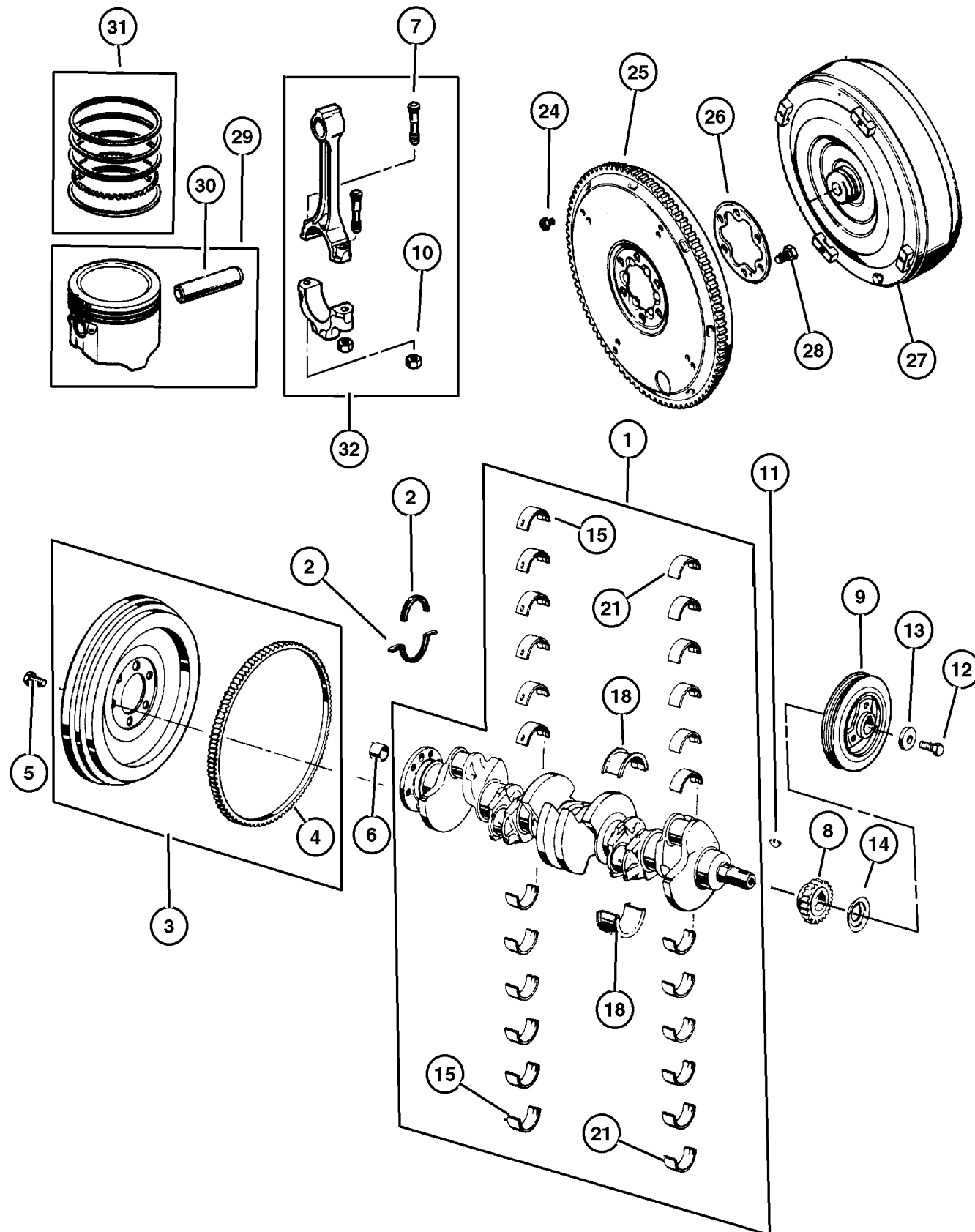
1	#5013 116AB	1		ER0		BLOCK, Short
2	4636 985AB	1		ER0		BEARING PACKAGE, Camshaft, Standard Size
3	6035 207	14		ER0		STUD, .500-13/.375-16x3.97
4	6034 166	3		ER0		PLUG, Cylinder Block Oil Hole
5	J317 2313	1		EPO		PLUG, Camshaft
6	J400 5148	2		ER0		DOWEL, Transmission
7	J310 5394	6		ER0		PLUG, Cylinder Block Oil Hole
8	0152 474	14		ER0		NUT, Hex Flange Lock, .375-16
9	5302 0465	1		EPO		PLUG, Cylinder Block
10	5017 432AA	1		ER0		GASKET PACKAGE, Engine Lower
11	5302 0566	1		ER0		BRACE, Main Bearing Cap
12	0141 215	2		ER0		DOWEL, .312 x .500

JEEP CHEROKEE (XJ)				
SERIES	LINE	BODY	ENGINE	TRANSMISSION
P=Classic	J=LHD (4WD)	74=4 Dr.(101.4WB)	ENC,EN0=2.5L 4 cyl. Turbo Die	DDD, DDQ=5 spd. Man.
S=Limited	U=RHD (4WD)	72=2 Dr.(101.4WB)	ERH,ER0=4.0L Power Tech I-6	DGS=4 spd. Auto. AISIN
H=Sport	T=LHD (2WD)		EPE,EPO=Magnum 2.5L SMPI	DG0=All Auto/Trans.
L=SE	B=RHD (2WD)			DBB=All Manual Trans.

AR = Use as required - = Non illustrated part # = New this model year

April 5, 2002

## Crankshaft, Piston and Torque Converter 4.0L (ERH) Engine Figure 4.0L-410



ITEM	PART NUMBER	QTY	LINE	ENGINE	TRANS	DESCRIPTION
NOTE: ER0=All 4.0L Engines, EPO= All 2.5L Gas Engines, DBB=All Manual Transmissions DG0=All Automatic Transmissions DGS=Aisin 4 Speed Automatic Transmission						
1	#4864 726AB	1		ER0		CRANKSHAFT
2	#53020 599AB	2		ER0		SEAL, Rear Main Crankshaft
3	#53020 519AB	1		ER0	DBB	FLYWHEEL
4	J317 9741	1		ER0	DBB	GEAR, Ring
5	J317 0524	6		ER0	DBB	BOLT, Flywheel
6	53009 180AB	1		ER0	DBB	BEARING, Pilot
7	5302 0123	12		ER0		BOLT, Connecting Rod
8	5302 0443	1		ER0		GEAR, Crankshaft
9	3300 2920	1		ER0		DAMPER, Crankshaft Use Up 2/11/00
	#33002 920AB	1		ER0		Use After 2/11/00
10	J400 6385	12		ER0		NUT, Hex Flange, .3437-24
11	6034 749	1		EP0, ER0		KEY, Crankshaft Sprocket
12	0182 776	1		EP0, ER0		BOLT
13	J323 0155	1		EP0, ER0		WASHER, Plain
14	J317 3076	1		EP0, ER0		SLINGER, Oil
15	8350 7079	6		ER0		BEARING PACKAGE, Crankshaft, Standard
-16	8350 7080	AR		EP0, ER0		BEARING PACKAGE, Crankshaft, .001 Undersize
-17	8350 7083	AR		EP0, ER0		BEARING PACKAGE, Crankshaft, .010 Undersize
18	8350 7084	1		EP0, ER0		BEARING PACKAGE, Crankshaft Thrust, Standard Size
-19	8350 7086	AR		EP0, ER0		BEARING PACKAGE, Crankshaft Thrust, .001" Undersize
-20	8350 7090	AR		EP0, ER0		BEARING PACKAGE, Crankshaft Thrust, .010" Undersize
21	8350 0300	8		EP0		BEARING KIT, Connecting Rod, Standard
-22	8350 1397	AR		EP0, ER0		BEARING KIT, Connecting Rod, .001 Undersize
-23	8350 0301	AR		EP0, ER0		BEARING KIT, Connecting Rod, .010 Undersize
24	3420 2497	4		ER0	DG0	BOLT, Hex Head, M10x1.50x14
25	5211 8551	1		ER0	DG0	PLATE, Drive Plate
26	J321 4094	1		ER0	DG0	PLATE, Drive Plate Backing
27						CONVERTER, Torque

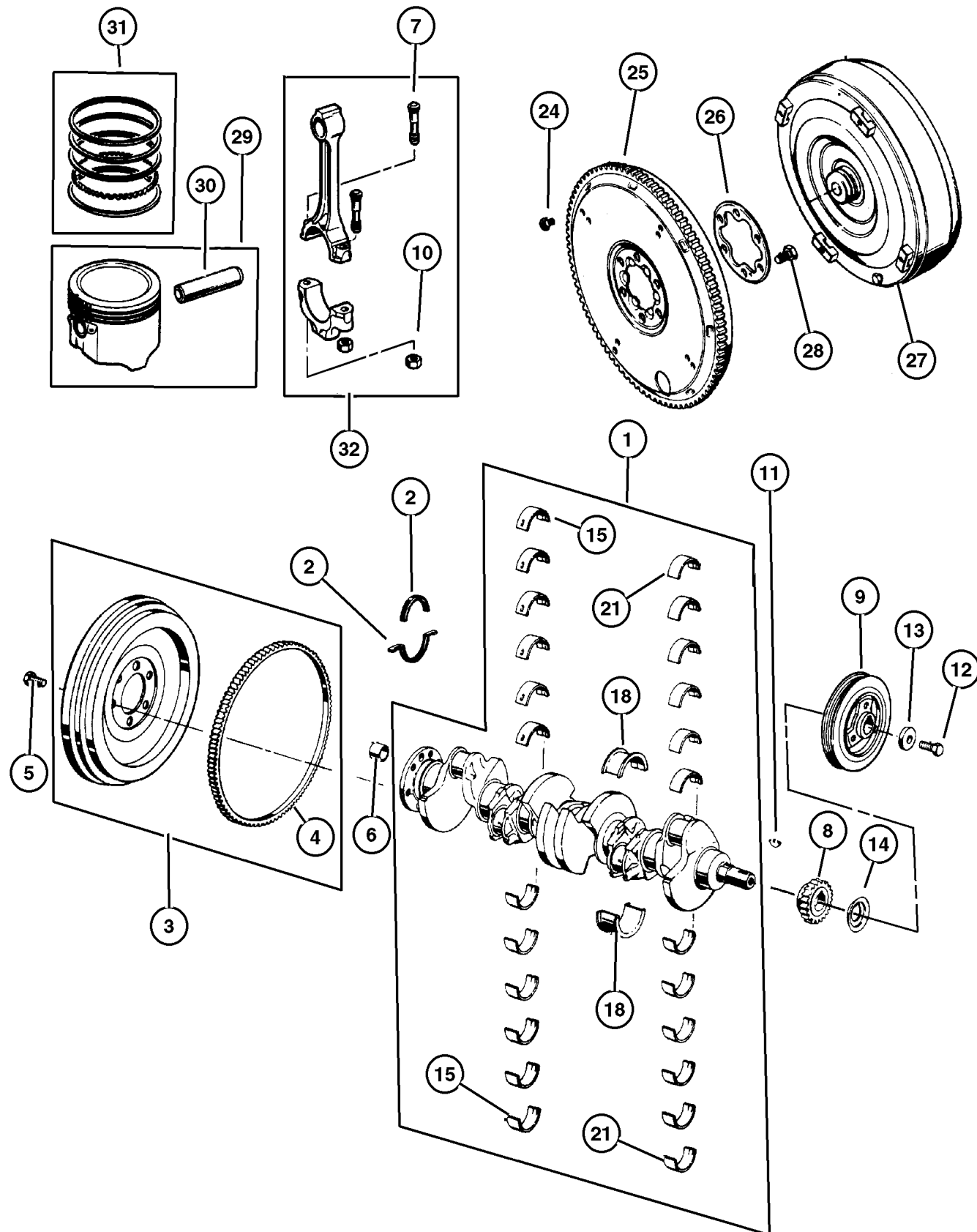
### JEEP CHEROKEE (XJ)

SERIES	LINE	BODY	ENGINE	TRANSMISSION
P=Classic	J=LHD (4WD)	74=4 Dr.(101.4WB)	ENC,EN0=2.5L 4 cyl. Turbo Die	DDD, DDQ=5 spd. Man.
S=Limited	U=RHD (4WD)	72=2 Dr.(101.4WB)	ERH,ER0=4.0L Power Tech I-6	DGS=4 spd. Auto. AISIN
H=Sport	T=LHD (2WD)		EPE,EP0=Magnum 2.5L SMPI	DG0=All Auto/Trans.
L=SE	B=RHD (2WD)			DBB=All Manual Trans.

AR = Use as required - = Non illustrated part # = New this model year

April 5, 2002

**Crankshaft, Piston and Torque Converter 4.0L (ERH) Engine  
Figure 4.0L-410**



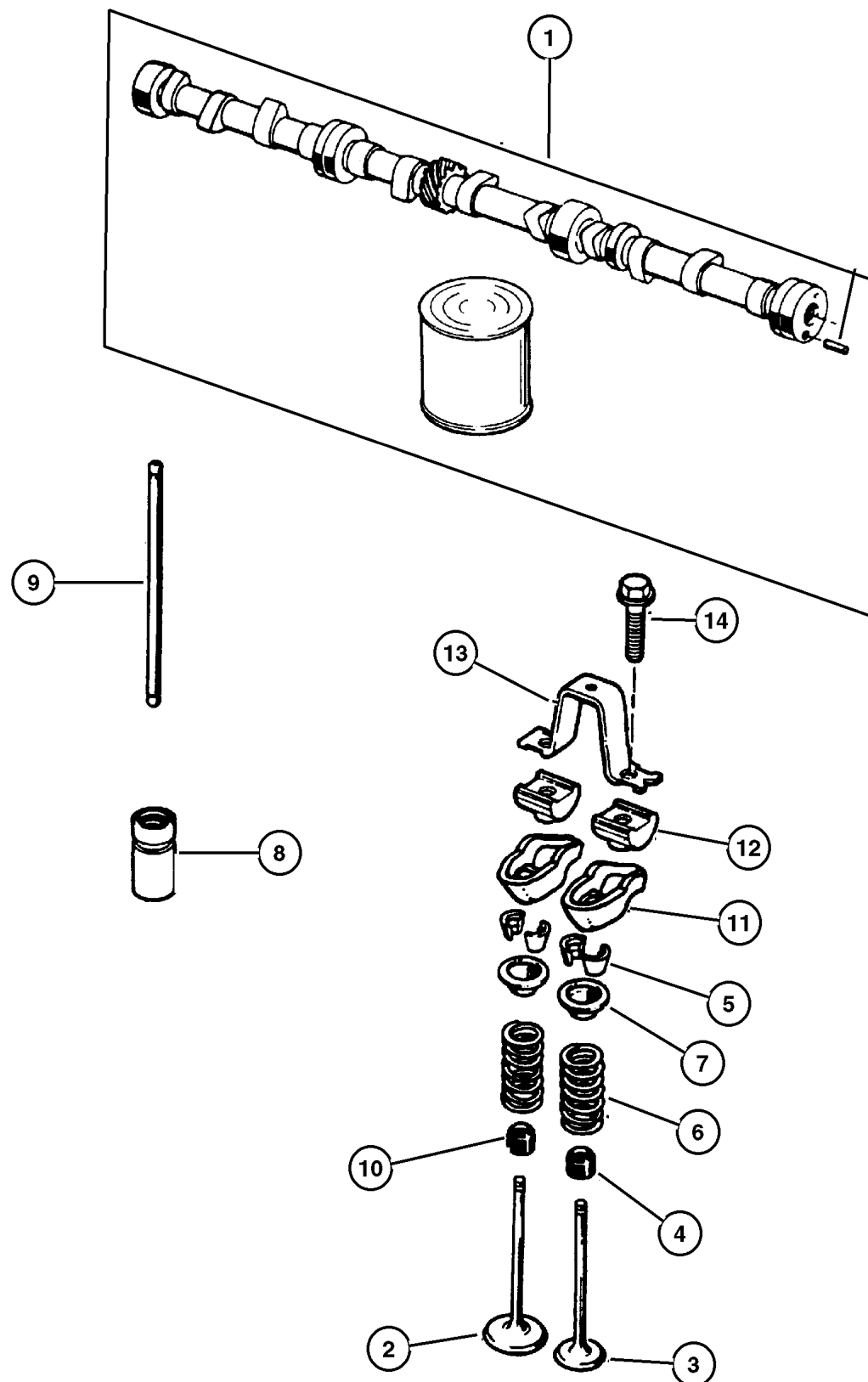
ITEM	PART NUMBER	QTY	LINE	ENGINE	TRANS	DESCRIPTION
	5300 3431	1	B, T	ER0	DGS	
		1	J, U		DGS	
28	J315 1407	6		ER0	DG0	BOLT, Hex Head, .50-20x.56
29						PISTON PIN AND ROD
	4798 329	6		ER0		B Size, 3.8742
	4798 330	6		ER0		C Size, 3.8746
	4798 331	6		ER0		D Size, 3.8750
	4798 332	6		ER0		E Size, 3.8754
	4798 333	6		ER0		F Size, 3.8758
30						PIN, Piston, Serviced in Piston Assembly, (NOT SERVICED)
31	4798 878	1		ER0		RING PACKAGE, Piston, Standard Size Complete Engine
32						ROD, Connecting, Serviced in Piston Assembly, (NOT SERVICED)

JEEP CHEROKEE (XJ)				
SERIES	LINE	BODY	ENGINE	TRANSMISSION
P=Classic	J=LHD (4WD)	74=4 Dr.(101.4WB)	ENC,EN0=2.5L 4 cyl. Turbo Die	DDD, DDQ=5 spd. Man.
S=Limited	U=RHD (4WD)	72=2 Dr.(101.4WB)	ERH,ER0=4.0L Power Tech I-6	DGS=4 spd. Auto. AISIN
H=Sport	T=LHD (2WD)		EPE,EP0=Magnum 2.5L SMPI	DG0=All Auto/Trans.
L=SE	B=RHD (2WD)			DBB=All Manual Trans.

AR = Use as required - = Non illustrated part # = New this model year

April 5, 2002

## Camshaft and Valves 4.0L (ERH) Engine Figure 4.0L-510



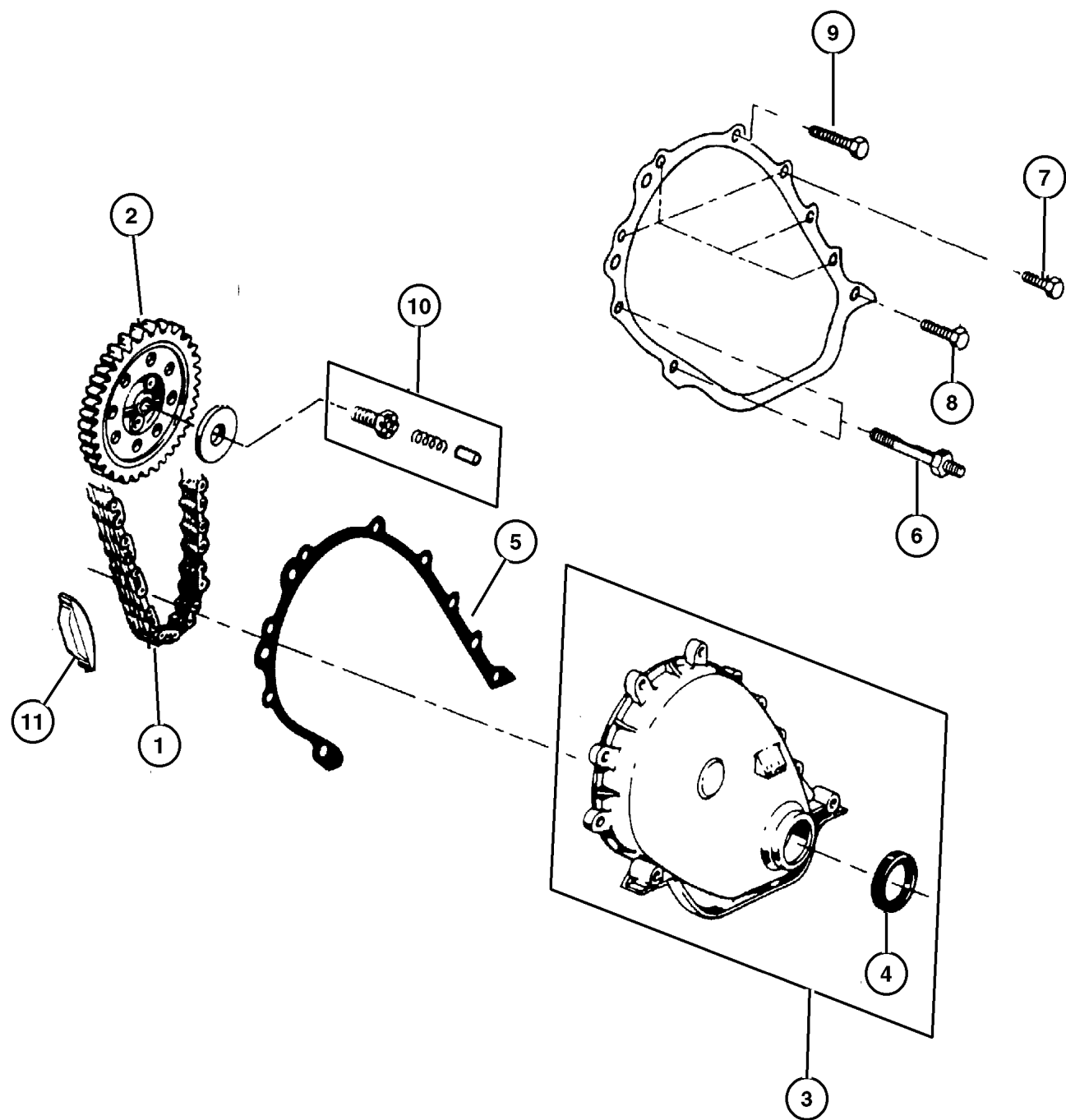
ITEM	PART NUMBER	QTY	LINE	ENGINE	TRANS	DESCRIPTION
NOTE: ER0=All 4.0L Engines nmission						
1	53010 448AA	1		ER0		CAMSHAFT
2	53010 512AA	6		ER0		VALVE, Intake, Standard
3	53010 513AA	6		ER0		VALVE, Exhaust, Standard
4	5300 9886	6		ER0		SEAL, Valve Guide, Standard
5	53010 515AA	24		ER0		LOCK, Valve Spring Retainer
6	5301 0388	12		ER0		SPRING, Valve
7	53010 514AA	12		ER0		RETAINER, Valve Spring
8	4740 269	12		ER0		TAPPET, Valve
9	3300 2986	12		ER0		PUSH ROD, Valve
10	5300 9886	6		ER0		SEAL, Valve Guide
11	J324 2393	12		ER0		ROCKER ARM, Valve
12	J323 5090	12		ER0		PIVOT, Rocker Arm
13	J323 6513	6		ER0		BRIDGE, Rocker Arm
14	J942 5708	12		ER0		BOLT, Hex Flange Head, .312-18x1.25

JEEP CHEROKEE (XJ)				
SERIES	LINE	BODY	ENGINE	TRANSMISSION
P=Classic	J=LHD (4WD)	74=4 Dr.(101.4WB)	ENC,EN0=2.5L 4 cyl. Turbo Die	DDD, DDQ=5 spd. Man.
S=Limited	U=RHD (4WD)	72=2 Dr.(101.4WB)	ERH,ER0=4.0L Power Tech I-6	DGS=4 spd. Auto. AISIN
H=Sport	T=LHD (2WD)		EPE,EP0=Magnum 2.5L SMPI	DG0=All Auto/Trans.
L=SE	B=RHD (2WD)			DBB=All Manual Trans.

AR = Use as required - = Non illustrated part # = New this model year

April 5, 2002

Timing Cover 4.0L (ERH) Engine  
Figure 4.0L-610



ITEM	PART NUMBER	QTY	LINE	ENGINE	TRANS	DESCRIPTION
NOTE: ER0=All 4.0L Engines, EPO= All 2.5L Gas Engines nsmission						
1	5302 0444	1		ER0		CHAIN, Timing
2	5301 0400	1		ER0		SPROCKET, Camshaft
3	5302 0222	1		EP0, ER0		COVER, Timing Belt
4	3300 4681	1		EP0, ER0		SEAL, Front Main Crankshaft
5	5302 0487	1		EP0, ER0		GASKET, Front Cover
6	6035 921AA	1		ER0		STUD
7	6035 893	5		EP0, ER0		BOLT, Hex
8	6035 895	1		EP0, ER0		SCREW
9	6035 894	1		ER0		SCREW
10	6024 030	1		ER0		SCREW AND WASHER, Hex
11	3300 3446	1		EP0, ER0		SNUBBER, Timing Chain
-12	5301 0401	1		ER0		PLATE, Camshaft Thrust
-13	6035 975AA	2		ER0		SCREW, Pan Head

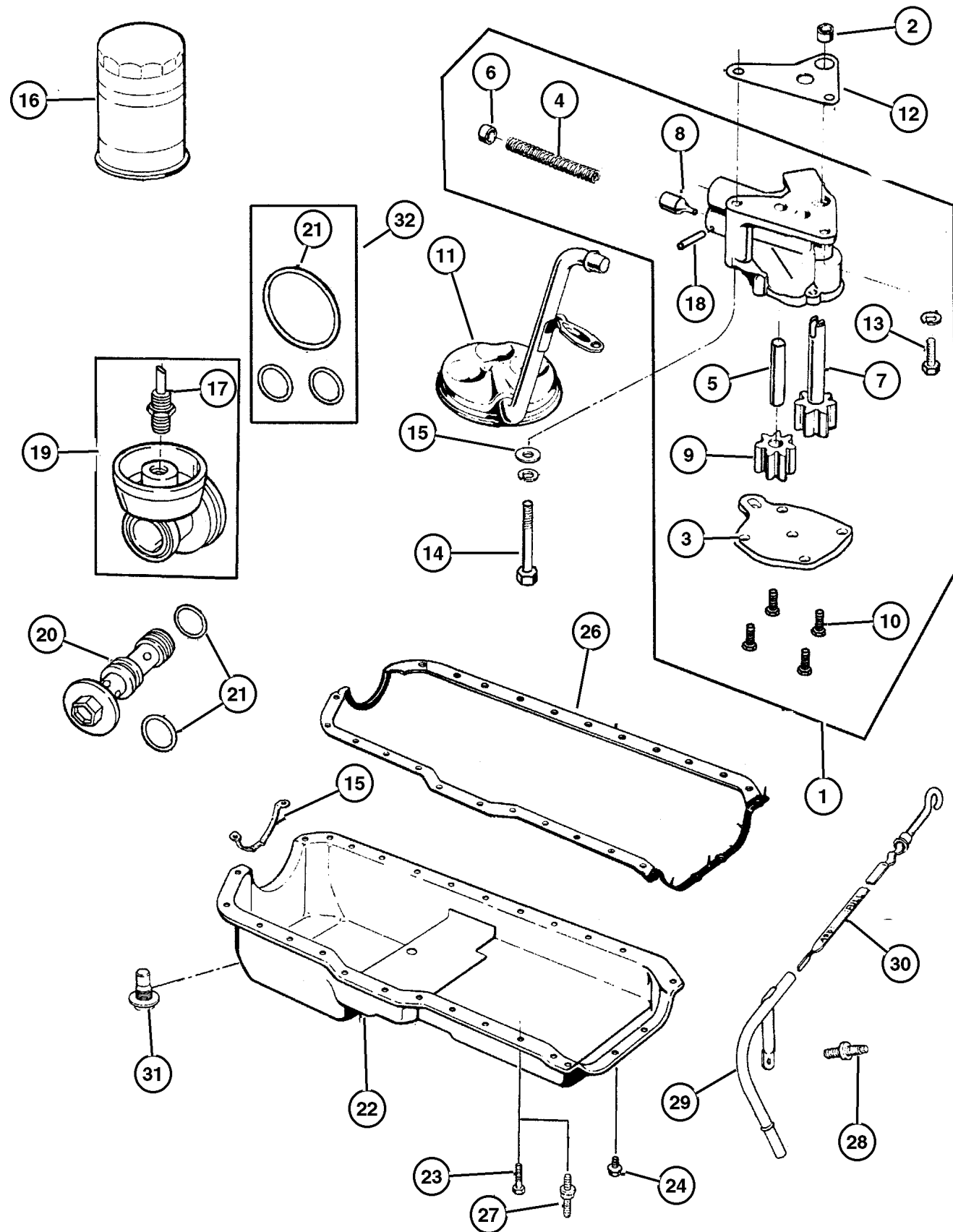
JEEP CHEROKEE (XJ)

SERIES	LINE	BODY	ENGINE	TRANSMISSION
P=Classic	J=LHD (4WD)	74=4 Dr.(101.4WB)	ENC,EN0=2.5L 4 cyl. Turbo Die	DDD, DDQ=5 spd. Man.
S=Limited	U=RHD (4WD)	72=2 Dr.(101.4WB)	ERH,ER0=4.0L Power Tech I-6	DGS=4 spd. Auto. AISIN
H=Sport	T=LHD (2WD)		EPE,EP0=Magnum 2.5L SMPI	DG0=All Auto/Trans.
L=SE	B=RHD (2WD)			DBB=All Manual Trans.

AR = Use as required - = Non illustrated part # = New this model year

April 5, 2002

**Engine Oiling 4.0L (ERH) Engine  
Figure 4.0L-710**



ITEM	PART NUMBER	QTY	LINE	ENGINE	TRANS	DESCRIPTION
NOTE: ER0=All 4.0L Engines, EPO= All 2.5L Gas Engines nsmision						
1	J324 1399	1		ER0		PUMP, Engine Oil
2	J400 5149	1		EP0, ER0		DOWEL, Oil Pump
3	J324 1733	1		ER0		COVER, Engine Oil Pump
4	J323 9668	1		ER0		SPRING, Oil Pressure Relief Valve
5	J317 1956	1		ER0		SHAFT, Oil Pump
6	J317 1958	1		ER0		RETAINER, Oil Release Valve
7	J317 2334	1		ER0		GEAR, Oil Pump
8	J318 8661	1		ER0		PLUNGER, Oil Pressure Relief Valve
9	J319 6843	1		ER0		GEAR, Oil Pump Driven
10	J941 6852	4		ER0		SCREW, Hex Flange Head, .25-20x.50
11	3300 2696	1		ER0		TUBE, Oil Pump Inlet
12	J317 2332	1		EP0, ER0		GASKET, Oil Pump
13	6022 235	1		EP0, ER0		BOLT AND WASHER, Hex Head, .312-18x1.00
14	0154 593	1		EP0, ER0		SCREW, Hex Head Coned, .312-18x2.625
15	53010 511AA	1		ER0		SUPPORT, Engine Oil Pan
16	5281 090	1		EP0, ER0		FILTER, Engine Oil
17	5300 7563	1		ER0		CONNECTOR, Oil Filter
18	J027 1448	1		ER0		PIN, Roll, 5/32" x 1.00"
19	5302 0080	1		ER0		ADAPTER, Oil Filter
20	5302 0237	1		ER0		BOLT, Oil Filter Adapter
21	3300 2972	1		ER0		O RING, Oil Filter Adapter
22	53020 833AB	1		ER0		PAN, Engine Oil
23	6034 732	15		ER0		SCREW AND WASHER, Hex Head, .25-20x.545
24	6034 483	3		ER0		SCREW, Hex Head Coned, .312-18x.875
-25	6034 733	1		ER0		STUD, .312-18/.250-20x1.680
26	#53007 568AC	1		ER0		GASKET, Oil Pan
27	6034 734	9		ER0		BOLT, Double Stud Hex, .250-20x1.437 & .250-20 x.700
28	6035 664	1		EP0, ER0		STUD, .312-18x1.560
29	5302 0782	1		ER0		TUBE, Oil Filler
30	5301 0445	1		ER0		INDICATOR, Engine Oil Level
31	6035 417	1		ER0		PLUG, Oil Drain
32	4720 363	1		ER0		SEAL PACKAGE, Oil Filter Adapter
-33	5083 881AA	1		ER0		DRIVE, OIL PUMP

**JEEP CHEROKEE (XJ)**

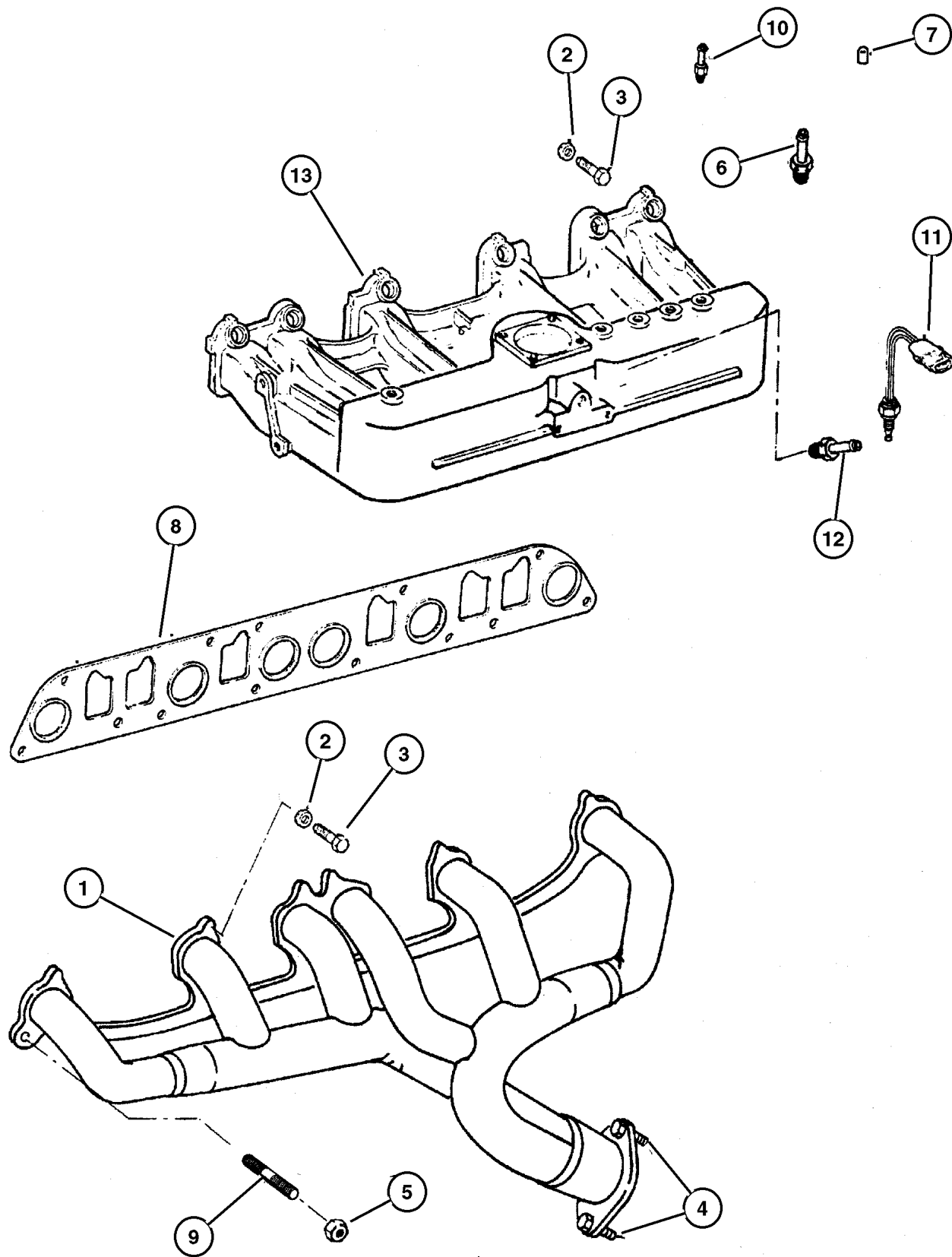
SERIES	LINE	BODY	ENGINE	TRANSMISSION
P=Classic	J=LHD (4WD)	74=4 Dr.(101.4WB)	ENC,EN0=2.5L 4 cyl. Turbo Die	DDD, DDQ=5 spd. Man.
S=Limited	U=RHD (4WD)	72=2 Dr.(101.4WB)	ERH,ER0=4.0L Power Tech I-6	DGS=4 spd. Auto. AISIN
H=Sport	T=LHD (2WD)		EPE,EP0=Magnum 2.5L SMPI	DG0=All Auto/Trans.
L=SE	B=RHD (2WD)			DBB=All Manual Trans.

AR = Use as required - = Non illustrated part # = New this model year

April 5, 2002



**Manifold, Intake and Exhaust 4.0L (ERH) Engine  
Figure 4.0L-810**



ITEM	PART NUMBER	QTY	LINE	ENGINE	TRANS	DESCRIPTION
NOTE: ER0=All 4.0L Engines, EPO= All 2.5L Gas Engines nsmision						
1	5301 0196	1		ER0		MANIFOLD, Exhaust Front
	5301 0199	1		ER0		Rear
2	6036 171AA	2		EP0, ER0		NUT AND WASHER
3	6036 045AA	8		ER0		BOLT AND RETAINER, Hex Head
4	6505 754AA	4		ER0		SCREW, Hex Head
5	6036 171AA	2		EP0, ER0		NUT AND WASHER
6						FITTING, Vacuum, Serviced in Manifold, (NOT SERVICED)
7	3580 172	1		ER0		CAP, Vacuum
8	4854 038	1		ER0		GASKET, Intake/Exhaust Manifold
9	6036 193AA	2		EP0, ER0		STUD, .375-16/.375-24x1.75
10						FITTING, Vacuum, Serviced in Manifold, (NOT SERVICED)
11	5602 7872	1		EP0, ER0		SENSOR, Air Temperature
12	4854 194	1		ER0		FITTING, Vacuum
13	4854 197AA	1		ER0		MANIFOLD, Intake
-14	J420 0413	2		EP0, ER0		PLUG, Cylinder Block Oil Hole
-15	6034 057	2		EP0, ER0		WASHER, Flat, .721x.990 Copper

JEEP CHEROKEE (XJ)				
SERIES	LINE	BODY	ENGINE	TRANSMISSION
P=Classic	J=LHD (4WD)	74=4 Dr.(101.4WB)	ENC,EN0=2.5L 4 cyl. Turbo Die	DDD, DDQ=5 spd. Man.
S=Limited	U=RHD (4WD)	72=2 Dr.(101.4WB)	ERH,ER0=4.0L Power Tech I-6	DGS=4 spd. Auto. AISIN
H=Sport	T=LHD (2WD)		EPE,EP0=Magnum 2.5L SMPI	DG0=All Auto/Trans.
L=SE	B=RHD (2WD)			DBB=All Manual Trans.

AR = Use as required - = Non illustrated part # = New this model year

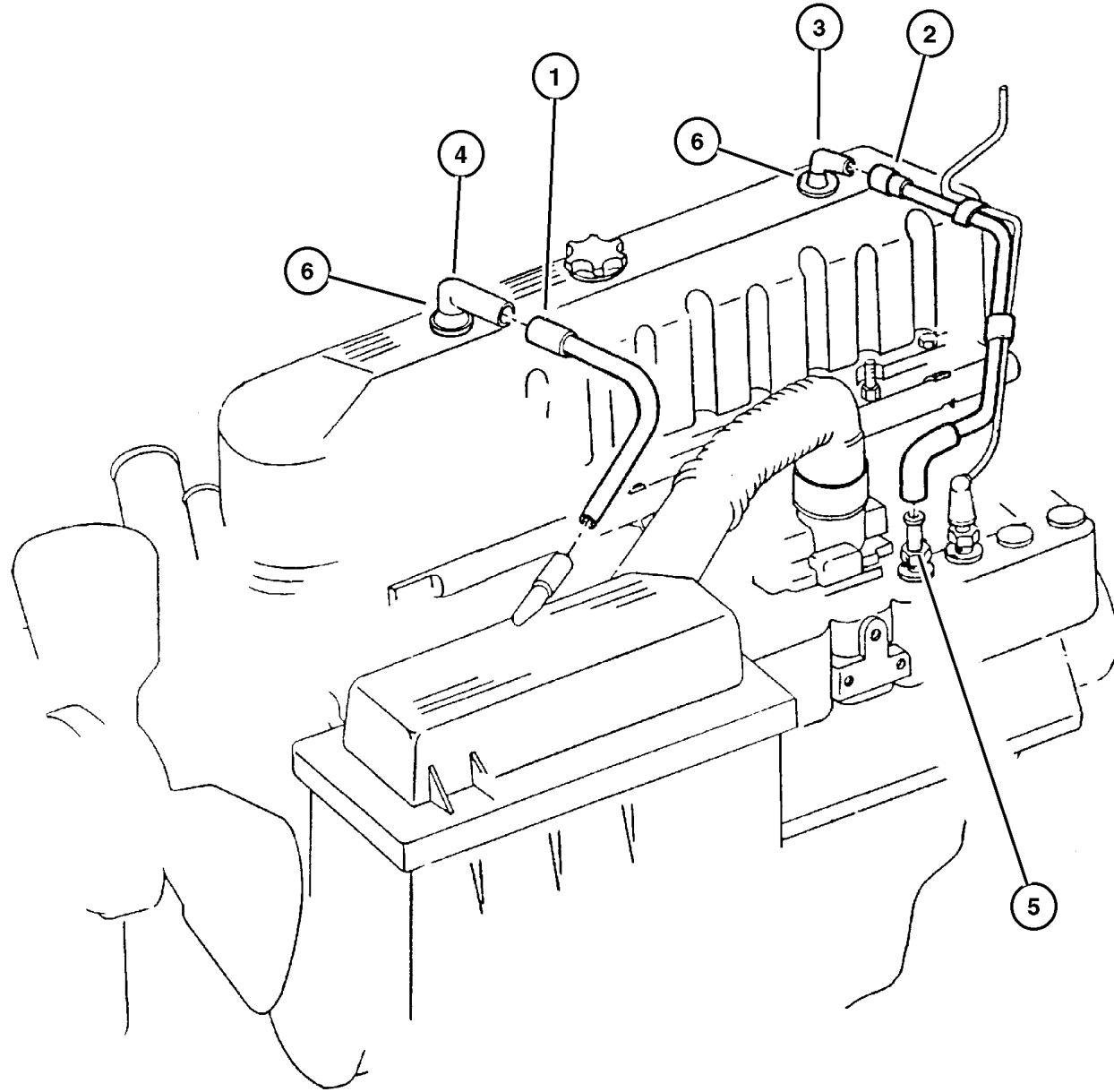
April 5, 2002

### Crankcase Ventilation 4.0L (ERH) Engine Figure 4.0L-910

ITEM	PART NUMBER	QTY	LINE	ENGINE	TRANS	DESCRIPTION
------	----------------	-----	------	--------	-------	-------------

NOTE: ER0=All 4.0L Engines nsmission

1	4854 180	1		ER0		TUBE, Cylinder Cover to A/CInr
2	4854 265	1		ER0		TUBE, Crankcase Vent To Intake Manifold
3	5303 0495	1		ER0		TUBE, Crankcase Vent To Air Cleaner
4	5303 0991	1		ER0		FITTING, Crankcase Vent Tube
5	4854 194	1		ER0		FITTING, Vacuum
6	2946 079	2		ER0		GROMMET, Crankcase Vent



#### JEEP CHEROKEE (XJ)

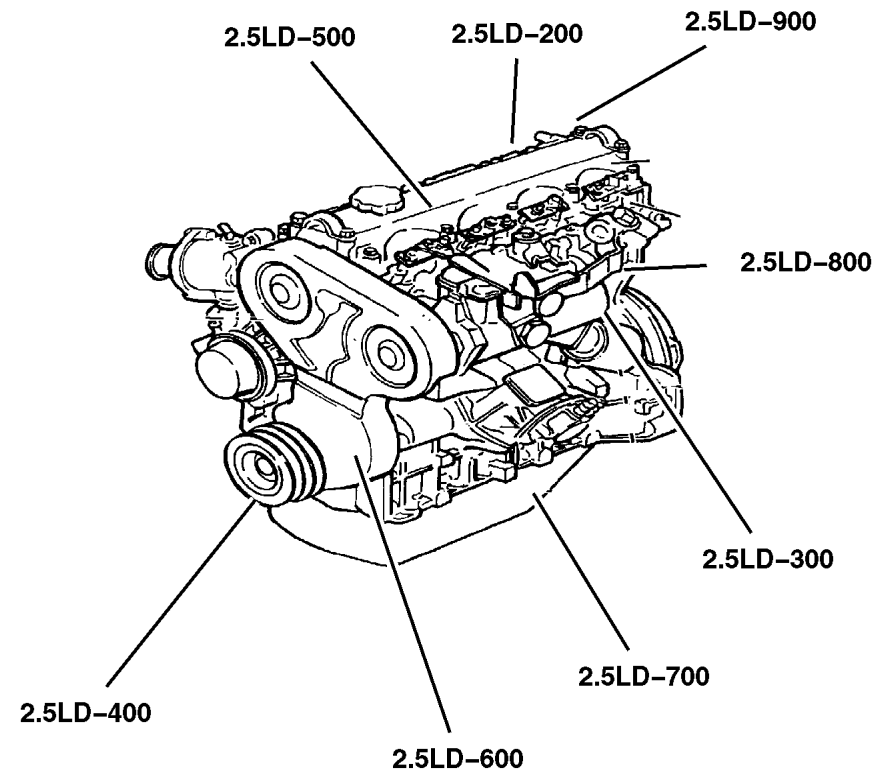
SERIES	LINE	BODY	ENGINE	TRANSMISSION
P=Classic	J=LHD (4WD)	74=4 Dr.(101.4WB)	ENC,EN0=2.5L 4 cyl. Turbo Die	DDD, DDQ=5 spd. Man.
S=Limited	U=RHD (4WD)	72=2 Dr.(101.4WB)	ERH,ER0=4.0L Power Tech I-6	DGS=4 spd. Auto. AISIN
H=Sport	T=LHD (2WD)		EPE,EP0=Magnum 2.5L SMPI	DG0=All Auto/Trans.
L=SE	B=RHD (2WD)			DBB=All Manual Trans.

AR = Use as required - = Non illustrated part # = New this model year

April 5, 2002

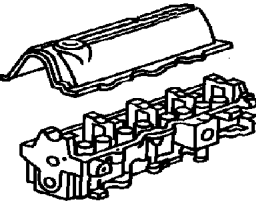
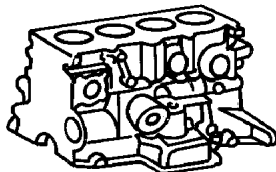
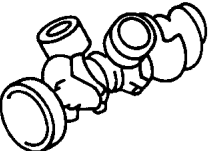
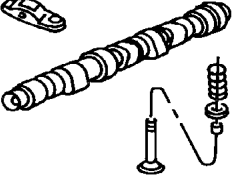
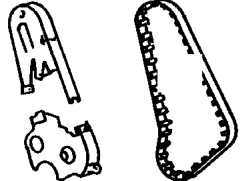
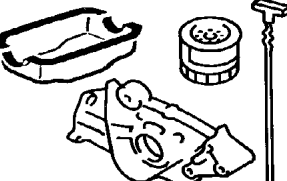
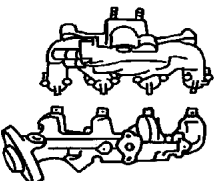
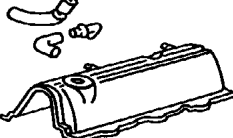
# Group – 2.5LD

## Engine 2.5L Four Cylinder (Turbo Diesel)

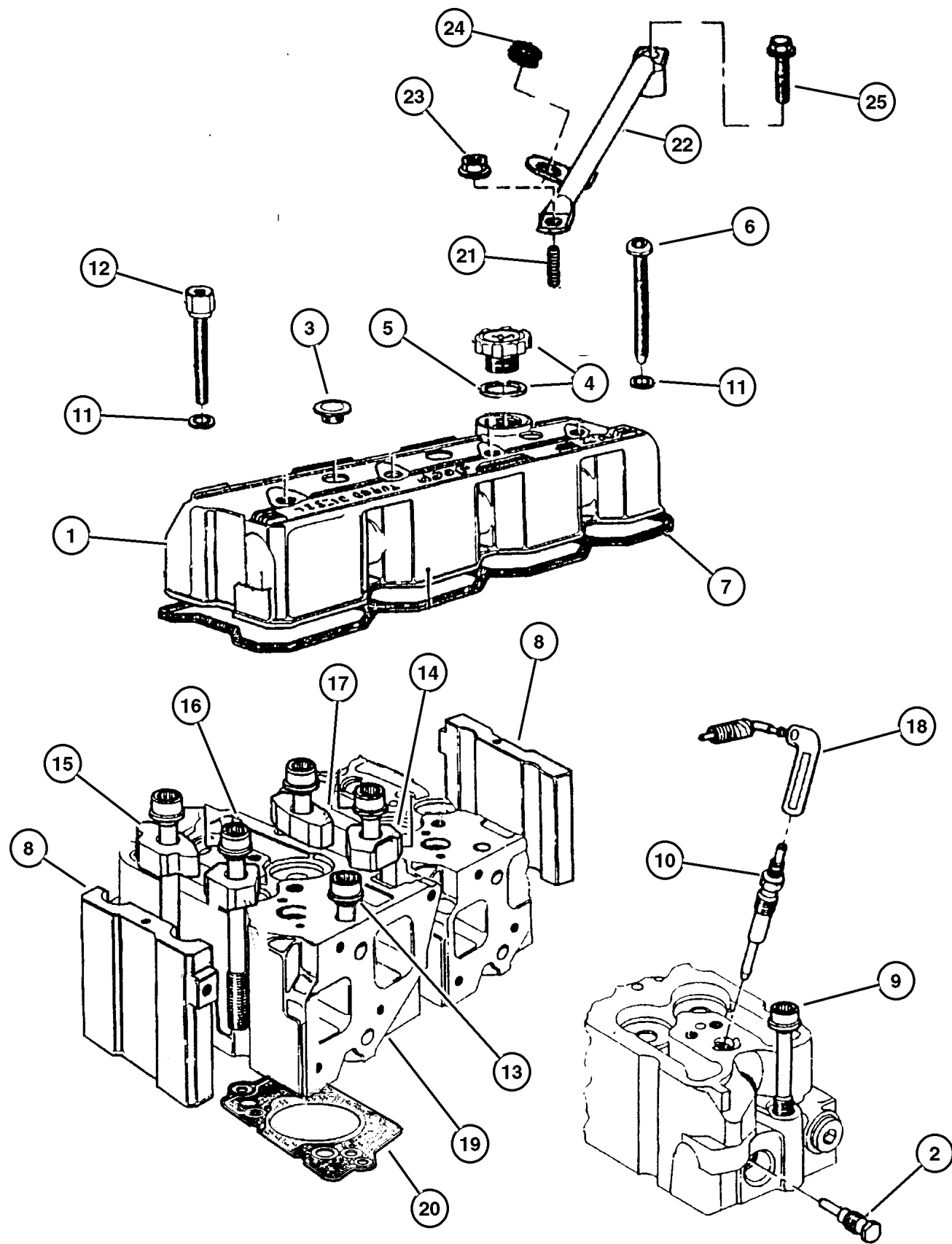


### GROUP 2.5LD - Engine 2.5L Four Cylinder (Turbo Diesel)

Illustration Title	Group-Fig. No.
<b>Cylinder Head</b>	
Cylinder Head 2.5L (ENC) Diesel Engine .....	Fig. 2.5LD-210
<b>Cylinder Block</b>	
Cylinder Block 2.5L (ENC) Diesel Engine .....	Fig. 2.5LD-310
<b>Crankshaft, Piston and Drive Plate</b>	
Crankshaft, Piston and Torque Converter 2.5L (ENC) Diesel Engine .....	Fig. 2.5LD-410
<b>Camshafts &amp; Valves</b>	
Camshaft and Valves 2.5L (ENC) Diesel Engine .....	Fig. 2.5LD-510
<b>Timing Belt and Cover</b>	
Timing Cover 2.5L (ENC) Diesel Engine .....	Fig. 2.5LD-610
<b>Engine Oiling</b>	
Engine Oiling 2.5L (ENC) Diesel Engine .....	Fig. 2.5LD-710
Oil Lines 2.5L (ENC) Diesel Engine .....	Fig. 2.5LD-720
<b>Manifolds</b>	
Manifold, Intake and Exhaust 2.5L (ENC) Diesel Engine .....	Fig. 2.5LD-810
<b>Crankcase Ventilation</b>	
Crankcase Ventilation 2.5L (ENC) Diesel Engine .....	Fig. 2.5LD-910

<b>2.5LD-200</b> Cylinder Head 	<b>2.5LD-300</b> Cylinder Block 	<b>2.5LD-400</b> Crankshaft, Piston and Drive Plate 	<b>2.5LD-500</b> Camshafts & Valves 
<b>2.5LD-600</b> Timing Belt and Cover 	<b>2.5LD-700</b> Engine Oiling 	<b>2.5LD-800</b> Manifolds 	<b>2.5LD-900</b> Crankcase Ventilation 

**Cylinder Head 2.5L (ENC) Diesel Engine**  
**Figure 2.5LD-210**



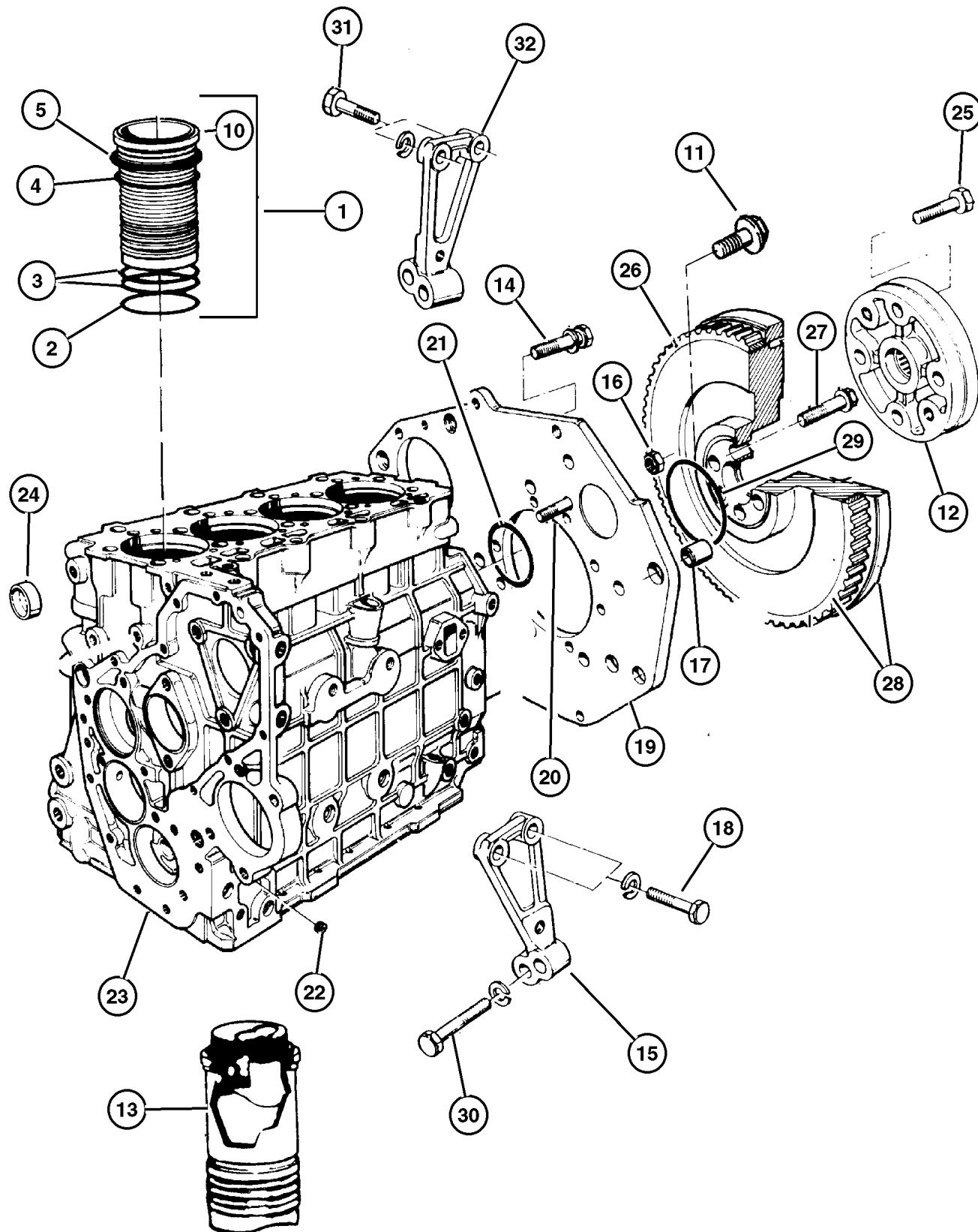
ITEM	PART NUMBER	QTY	LINE	ENGINE	TRANS	DESCRIPTION
NOTE: EN0=All 2.5L Diesel Engines nsmission						
1	4864 747	1		EN0		COVER, Cylinder Head
2	4863 770	4		EN0		PLUG, Dummy
3	4864 555	3		EN0		PLUG, Cylinder Block
4	4863 741	1		EN0		CAP, Oil Filler
5	4720 300	1		EN0		GASKET, Oil Filler Cap
6	5003 565AA	2		EN0		BOLT
7	4863 789AC	1		EN0		GASKET, Valve Cover
8	4882 407	2		EN0		CLAMP, Cylinder Head
9	4720 671AB	4		EN0		BOLT, Cylinder Head
10	4863 826	4		EN0		GLOW PLUG
11	4864 554	4		EN0		SEAL, Valve Cover Bolt
12	4863 752	2		EN0		SCREW
13	4720 233AB	4		EN0		BOLT, Cylinder Head
14	4864 038	5		EN0		CLAMP, Cylinder Head
15	4864 039	2		EN0		CLAMP, Cylinder Head
16	4720 235AC	10		EN0		BOLT, Cylinder Head
17	4864 040	3		EN0		CLAMP, Cylinder Head
18	4864 557	1		EN0		WIRING, Glow Plug
19	4883 416AB	4		EN0		HEAD, Cylinder
20						GASKET, Cylinder Head
	5014 059AA	1		EN0	1.42	
	5014 060AA	1		EN0	1.52	
	5014 061AA	1		EN0	1.62	
21	4864 745	1		EN0		BOLT
22	4864 746	1		EN0		BRACKET, Alternator Upper
23	4778 936	1		EN0		NUT, Suction Pipe Attaching
24	4720 362	1		EN0		GASKET, Engine Oil Indicator Pipe
25	4864 537	1		EN0		BOLT, 8Mx20

JEEP CHEROKEE (XJ)				
SERIES	LINE	BODY	ENGINE	TRANSMISSION
P=Classic	J=LHD (4WD)	74=4 Dr.(101.4WB)	ENC,EN0=2.5L 4 cyl. Turbo Die	DDD, DDQ=5 spd. Man.
S=Limited	U=RHD (4WD)	72=2 Dr.(101.4WB)	ERH,ER0=4.0L Power Tech I-6	DGS=4 spd. Auto. AISIN
H=Sport	T=LHD (2WD)		EPE,EP0=Magnum 2.5L SMPI	DG0=All Auto/Trans.
L=SE	B=RHD (2WD)			DBB=All Manual Trans.

AR = Use as required - = Non illustrated part # = New this model year

April 5, 2002

**Cylinder Block 2.5L (ENC) Diesel Engine**  
**Figure 2.5LD-310**



ITEM	PART NUMBER	QTY	LINE	ENGINE	TRANS	DESCRIPTION
------	-------------	-----	------	--------	-------	-------------

Note;3/4 Engine - 05014068AA, Up To 9-9-99 nsmission

3/4 Engine - 05014068AB, After 9-9-99, nsmission

ENO= All 2.5L Diesel Engines nsmission

1	4723 118	4		ENO		SHIM KIT, Cylinder Liner
2	4720 625	4		ENO		O RING, Cylinder Liner
3	4720 627	8		ENO		O RING, Cylinder Liner
4	4720 626	4		ENO		O RING, Cylinder Liner
5	4720 620	4		ENO		SHIM, Cylinder Liner, 0.15mm
-6	4720 624	4		ENO		SHIM, Cylinder Liner, 0.17mm
-7	4720 621	4		ENO		SHIM, Cylinder Liner, 0.20mm
-8	4720 623	4		ENO		SHIM, Cylinder Liner, 0.23mm
-9	4720 622	4		ENO		SHIM, Cylinder Liner, 0.25mm
10						LINER, Cylinder
	4720 611	4		ENO		Up To 9-9-99
	5014 328AA	4		ENO		After 9-9-99
11	4864 537	1		ENO		BOLT, 8Mx20
12	4778 808	1		ENO		HOUSING, Pilot Bearing
13						LINER AND PISTON, Cylinder
	4864 532	4		ENO		Up To 9-9-99
	5014 329AA	4		ENO		After 9-9-99
14	5003 532AA	4		ENO		BOLT, Adaptor Plate
15	4778 806	1		ENO		STIFFENER, Flywheel Housing
16	4778 961	6		ENO		NUT
17	4797 758	2		ENO		DOWEL, Transmission Adapter
18	5003 533AA	2		ENO		BOLT, M10x45
19	4886 254AA	1		ENO		HOUSING, Flywheel
20	4720 677	6		ENO		STUD, Adaptor Plate
21	4863 833	1		ENO		O RING
22	4883 425AA	1		ENO		PLUG
23						BLOCK, Cylinder, (NOT SERVICED)
24	4778 887	1		ENO		PLUG, Cylinder Block Oil Hole
25	4864 534	4		ENO		BOLT, Adaptor Plate
26	4883 427AA	1		ENO		GEAR, Ring
27	4720 232AB	6		ENO		BOLT, Flywheel
28	4883 426AA	1		ENO		FLYWHEEL
29	4720 240	1		ENO		O RING, Flywheel To Crankshaft
30	5003 534AA	2		ENO		BOLT, M12x55
31	4897 253AA	2		ENO		BOLT, Hex Flange Head, M10x35
32	4796 394	1		ENO		STIFFENER, Flywheel Housing

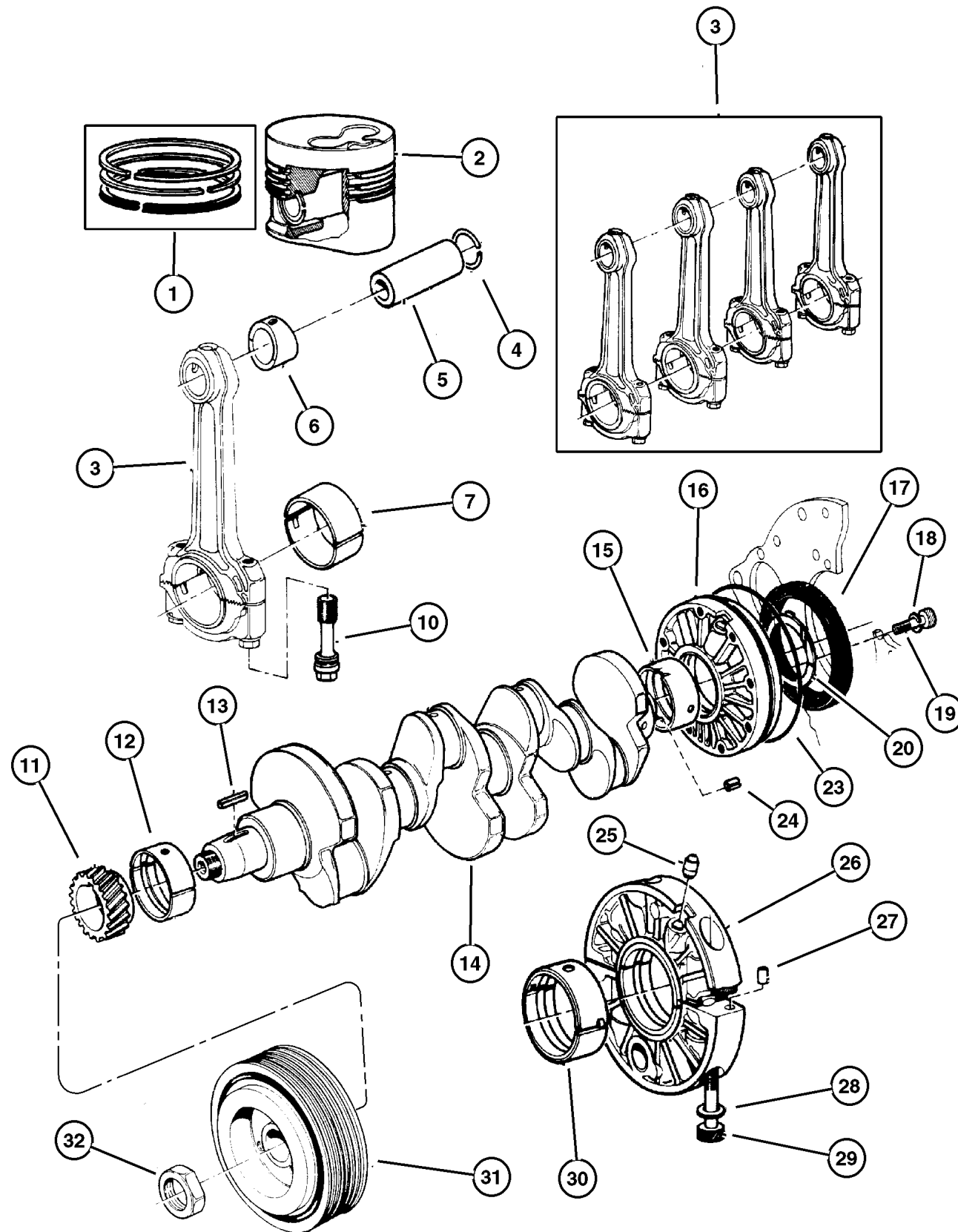
**JEEP CHEROKEE (XJ)**

SERIES	LINE	BODY	ENGINE	TRANSMISSION
P=Classic	J=LHD (4WD)	74=4 Dr.(101.4WB)	ENC,ENO=2.5L 4 cyl. Turbo Die	DDD, DDQ=5 spd. Man.
S=Limited	U=RHD (4WD)	72=2 Dr.(101.4WB)	ERH,ER0=4.0L Power Tech I-6	DGS=4 spd. Auto. AISIN
H=Sport	T=LHD (2WD)		EPE,EP0=Magnum 2.5L SMPI	DG0=All Auto/Trans.
L=SE	B=RHD (2WD)			DBB=All Manual Trans.

AR = Use as required - = Non illustrated part # = New this model year

April 5, 2002

**Crankshaft, Piston and Torque Converter 2.5L (ENC) Diesel Engine  
Figure 2.5LD-410**



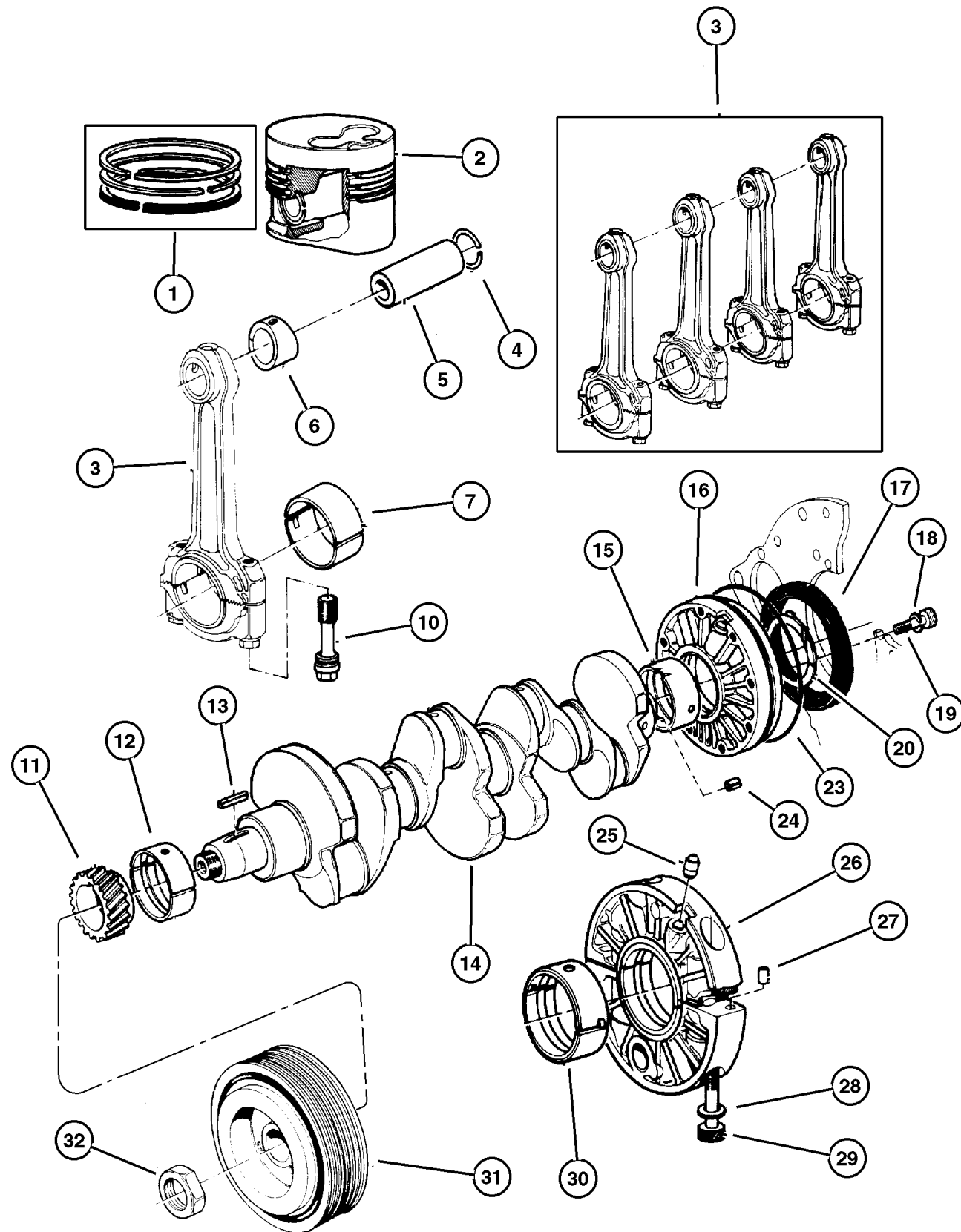
ITEM	PART NUMBER	QTY	LINE	ENGINE	TRANS	DESCRIPTION
NOTE: EN0=All 2.5L Diesel Engines nsmmission						
1						RING KIT, Piston, Standard
	4720 084	4		EN0		Up To 9-9-99
	5014 333AA	4		EN0		After 9-9-99
2						PISTON
	4864 190	4		EN0		Up To 9-9-99
	5014 332AA	4		EN0		After 9-9-99
3						ROD, Connecting
	4723 122	1		EN0		Up To 9-9-99
	5014 330AA	1		EN0		After 9-9-99
4	4720 099	8		EN0		RING, Piston Pin
5						PIN, Piston, Serviced in Piston, (NOT SERVICED)
6						BUSHING, Connecting Rod
	4723 160	4		EN0		Up To 9-9-99
	5014 331AA	4		EN0		After 9-9-99
7	4720 877	4		EN0		BUSHING, Connecting Rod
-8	4720 882	4		EN0		BEARING, Connecting Rod, .010" U/S, Up To 9-9-99
-9	4720 883	AR		EN0		BEARING, Connecting Rod, .25 mm U/S
10	4883 386AB	8		EN0		BOLT, Connecting Rod
11	4882 402	1		EN0		GEAR, Crankshaft
12						BEARING, Crankshaft
	4720 885	1		EN0		Standard
	4720 886	1		EN0		.125mm, Up To 9-9-99
	4720 887	AR		EN0		.250mm
13	5003 529AA	1		EN0		KEY, Crankshaft Sprocket
14	4864 538	1		EN0		CRANKSHAFT
15						BEARING, Crankshaft
	4864 539	1		EN0		Standard
	4864 540	1		EN0		.125mm, Up To 9-9-99
	4864 541	AR		EN0		.250mm
16						HOUSING, Rear Bearing
	4864 542AB	1		EN0		Up To 9-9-99
	4864 676AB	1		EN0		After 9-9-99
17	5010 817AA	1		EN0		SEAL, Rear Main Crankshaft
18	4723 204	8		EN0		WASHER, Implement Attaching
19	4720 284	8		EN0		SCREW, Rear Crankshaft Support
20	4864 046	1		EN0		WASHER, Thrust
-21	4864 543	AR		EN0		WASHER, Thrust, 0.10 Oversize
-22	4864 544	AR		EN0		WASHER, Thrust, 0.20 Oversize
23	4720 277	1		EN0		O RING, Crankshaft Rear Support
24	4723 158AB	1		EN0		PIN, Dowel
25	4720 246AB	3		EN0		JET, Piston Oil Cooler, Up To 9-9-99
26						HOUSING, Crankshaft Bearing

JEEP CHEROKEE (XJ)				
SERIES	LINE	BODY	ENGINE	TRANSMISSION
P=Classic	J=LHD (4WD)	74=4 Dr.(101.4WB)	ENC,EN0=2.5L 4 cyl. Turbo Die	DDD, DDQ=5 spd. Man.
S=Limited	U=RHD (4WD)	72=2 Dr.(101.4WB)	ERH,ER0=4.0L Power Tech I-6	DGS=4 spd. Auto. AISIN
H=Sport	T=LHD (2WD)		EPE,EP0=Magnum 2.5L SMPI	DG0=All Auto/Trans.
L=SE	B=RHD (2WD)			DBB=All Manual Trans.

AR = Use as required - = Non illustrated part # = New this model year

April 5, 2002

**Crankshaft, Piston and Torque Converter 2.5L (ENC) Diesel Engine  
Figure 2.5LD-410**



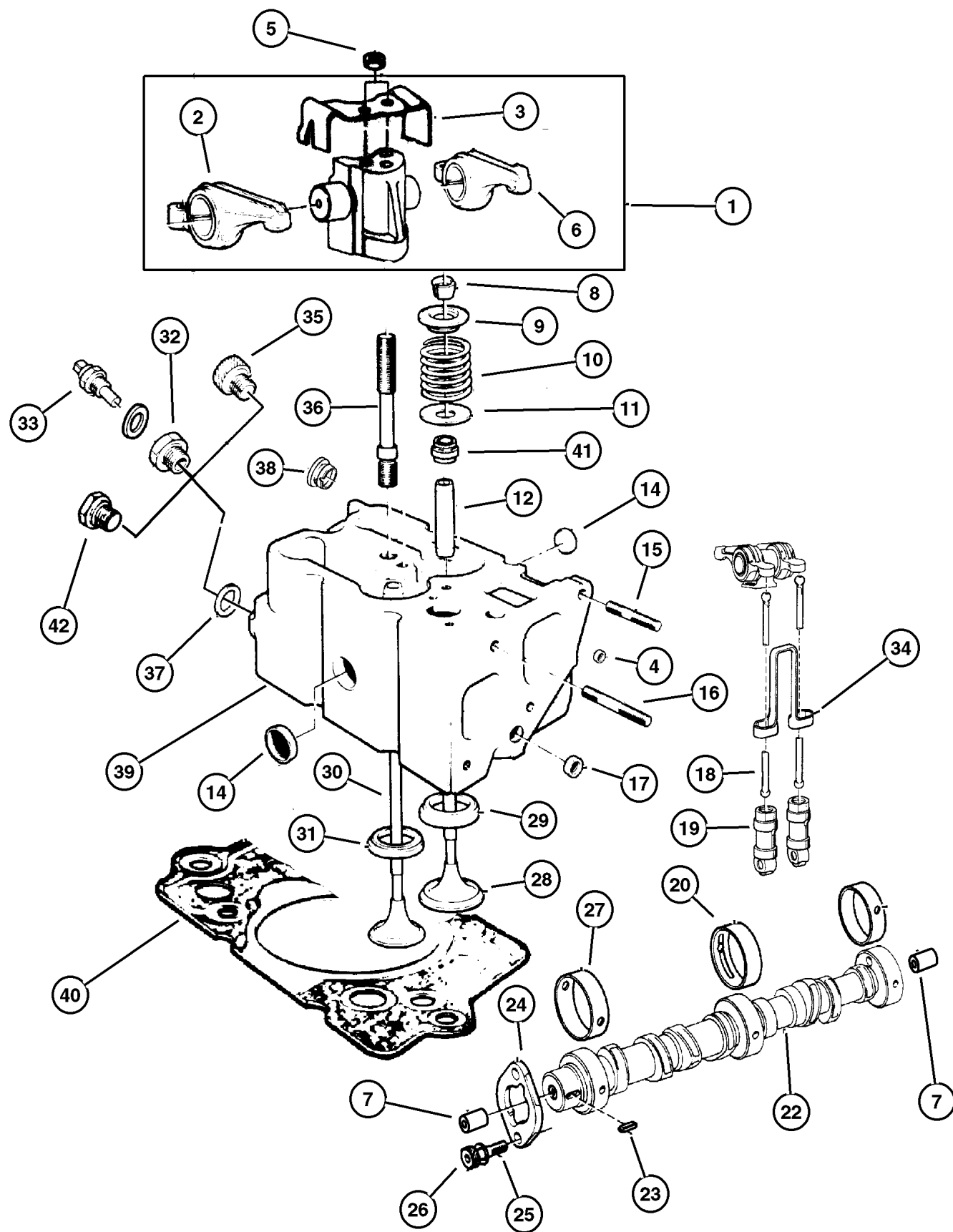
ITEM	PART NUMBER	QTY	LINE	ENGINE	TRANS	DESCRIPTION
	4723 161	3		EN0		Up To 9-9-99
	4863 711	3		EN0		After 9-9-99
27	4720 241	6		EN0		DOWEL, Center Bearing Housing
28	4720 243	6		EN0		WASHER, Lock, M10
29	4720 242	6		EN0		SCREW
30						BEARING, Crankshaft
	4720 889	3		EN0		Standard
	4720 890	3		EN0		.125mm, Up To 9-9-99
	4720 892	AR		EN0		.250mm
31	4886 225AA	1		EN0		DAMPER, Crankshaft
32	4720 273	1		EN0		NUT, Damper Pulley

JEEP CHEROKEE (XJ)				
SERIES	LINE	BODY	ENGINE	TRANSMISSION
P=Classic	J=LHD (4WD)	74=4 Dr.(101.4WB)	ENC,EN0=2.5L 4 cyl. Turbo Die	DDD, DDQ=5 spd. Man.
S=Limited	U=RHD (4WD)	72=2 Dr.(101.4WB)	ERH,ER0=4.0L Power Tech I-6	DGS=4 spd. Auto. AISIN
H=Sport	T=LHD (2WD)		EPE,EP0=Magnum 2.5L SMPI	DG0=All Auto/Trans.
L=SE	B=RHD (2WD)			DBB=All Manual Trans.

AR = Use as required - = Non illustrated part # = New this model year

April 5, 2002

## Camshaft and Valves 2.5L (ENC) Diesel Engine Figure 2.5LD-510



ITEM	PART NUMBER	QTY	LINE	ENGINE	TRANS	DESCRIPTION
NOTE: EN0=All 2.5L Diesel Engines nmission						
1	4883 397AA	4		EN0		ROCKER ARM, Inlet and Exhaust Valve
2	4883 399AA	4		EN0		ROCKER ARM, Exhaust
3	4863 861	4		EN0		SPRING, Valve
4	4723 196AB	2		EN0		PLUG, Camshaft
5	4883 396AA	8		EN0		NUT
6	4883 398AA	4		EN0		ROCKER ARM, Intake
7	4723 196AB	2		EN0		PLUG, Camshaft
8	4720 155	16		EN0		LOCK, Valve Spring Retainer
9	4720 152	8		EN0		RETAINER, Valve Spring
10	4720 158	8		EN0		SPRING, Valve
11	4720 153	8		EN0		WASHER, Plain
12	4883 417AA	8		EN0		GUIDE, Intake/Exhaust Valve, Standard Size
-13	4883 820AA	AR		EN0		GUIDE, Intake/Exhaust Valve, 0.10mm Oversize
14	4723 228	8		EN0		PLUG, Cylinder Block Oil Hole
15	4723 241	3		EN0		STUD
16	4882 405	8		EN0		STUD
17	4723 210	4		EN0		PLUG, Cylinder Block Oil Hole
18	4883 395AA	8		EN0		PUSH ROD, Valve
19	4773 712	8		EN0		TAPPET, Valve
20	4720 220	1		EN0		BEARING, Camshaft
-21	4720 219	1		EN0		BEARING, Camshaft
22	4882 399	1		EN0		CAMSHAFT, Engine
23	4720 137	1		EN0		KEY, Camshaft Sprocket
24	4723 163	1		EN0		PLATE, Camshaft Thrust
25	4723 165	2		EN0		WASHER, P Clip
26	4720 135	5		EN0		BOLT, Hex Head, M8x18
27	5010 274AA	1		EN0		BEARING, Camshaft
28	4720 146	4		EN0		VALVE, Intake, Standard
29	4723 245	4		EN0		SEAT, Intake Valve, 0.30mm Oversize
30	4720 148	4		EN0		VALVE, Exhaust, Standard
31	4723 244	4		EN0		SEAT, Exhaust Valve, 0.30mm Oversize
32	5014 065AA	2		EN0		ADAPTER, Temperature Sensor
33	5014 067AA	2		EN0		SENSOR, Temperature Sending Unit
34	4773 701	4		EN0		BRACKET, Antirotation
35	4720 159	1		EN0		PLUG, Cylinder Block Oil Hole
36	4897 831AA	8		EN0		STUD
37	4723 246	4		EN0		WASHER, Plain
38	4863 769	4		EN0		PLUG
39	4883 416AB	4		EN0		HEAD, Cylinder
40	5014 059AA	1		EN0		GASKET, Cylinder Head

### JEEP CHEROKEE (XJ)

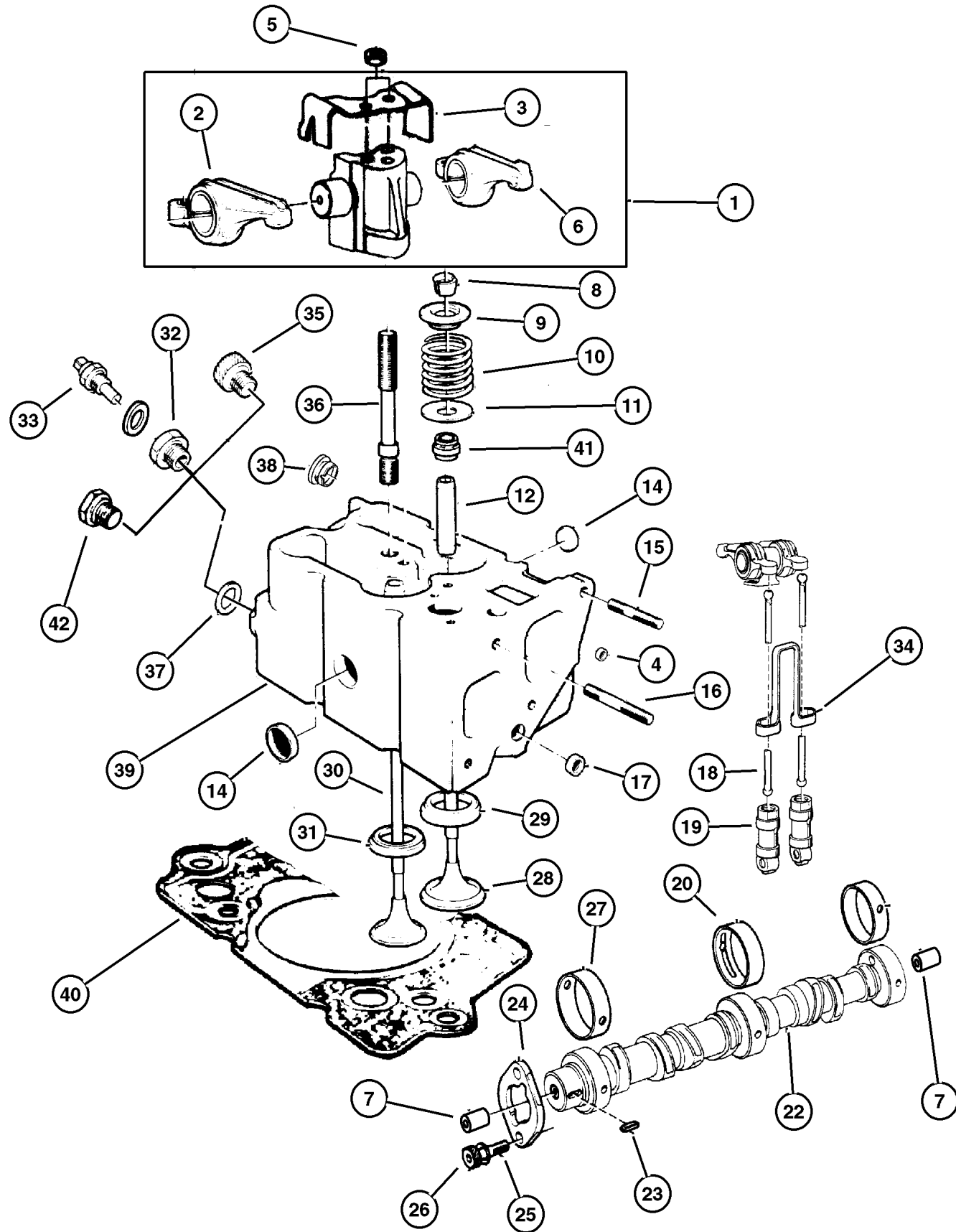
SERIES	LINE	BODY	ENGINE	TRANSMISSION
P=Classic	J=LHD (4WD)	74=4 Dr.(101.4WB)	ENC,EN0=2.5L 4 cyl. Turbo Die	DDD, DDQ=5 spd. Man.
S=Limited	U=RHD (4WD)	72=2 Dr.(101.4WB)	ERH,ER0=4.0L Power Tech I-6	DGS=4 spd. Auto. AISIN
H=Sport	T=LHD (2WD)		EPE,EP0=Magnum 2.5L SMPI	DG0=All Auto/Trans.
L=SE	B=RHD (2WD)			DBB=All Manual Trans.

AR = Use as required - = Non illustrated part # = New this model year

April 5, 2002



**Camshaft and Valves 2.5L (ENC) Diesel Engine**  
**Figure 2.5LD-510**



ITEM	PART NUMBER	QTY	LINE	ENGINE	TRANS	DESCRIPTION
	5014 060AA	1		EN0	1.52	
	5014 061AA	1		EN0	1.62	
41	4883 821AA	8		EN0		SEAL, Valve Guide
42	4864 606	1		EN0		PLUG

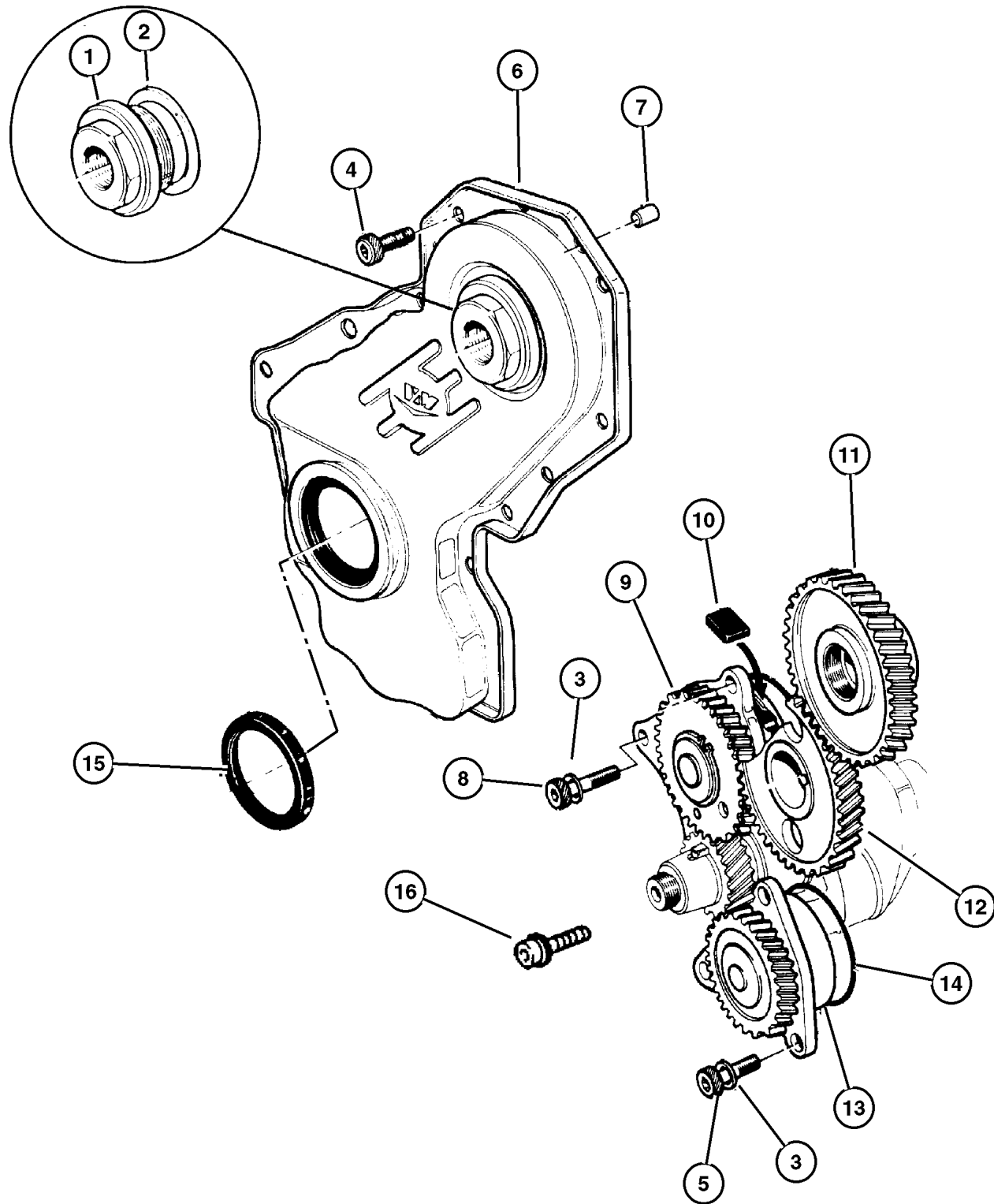
JEEP CHEROKEE (XJ)				
SERIES	LINE	BODY	ENGINE	TRANSMISSION
P=Classic	J=LHD (4WD)	74=4 Dr.(101.4WB)	ENC,EN0=2.5L 4 cyl. Turbo Die	DDD, DDQ=5 spd. Man.
S=Limited	U=RHD (4WD)	72=2 Dr.(101.4WB)	ERH,ER0=4.0L Power Tech I-6	DGS=4 spd. Auto. AISIN
H=Sport	T=LHD (2WD)		EPE,EP0=Magnum 2.5L SMPI	DG0=All Auto/Trans.
L=SE	B=RHD (2WD)			DBB=All Manual Trans.

AR = Use as required - = Non illustrated part # = New this model year

April 5, 2002

**Timing Cover 2.5L (ENC) Diesel Engine**  
**Figure 2.5LD-610**

ITEM	PART NUMBER	QTY	LINE	ENGINE	TRANS	DESCRIPTION
NOTE: EN0=All 2.5L Diesel Engines nsmission						
1	4778 839	1		EN0		COVER, Timing Belt
2	4720 290	1		EN0		GASKET, Engine Oil Plug
3	4720 565	6		EN0		WASHER, Tube Bolt
4	5003 551AA	1		EN0		BOLT, M6x10
5	4720 135	5		EN0		BOLT, Hex Head, M8x18
6	5010 853AA	1		EN0		COVER, Timing Belt
7	4720 304	2		EN0		DOWEL, Front Cover
8	4720 136	3		EN0		BOLT, Hex Head, M8x20
9	5003 716AB	1		EN0		PUMP, Vacuum
10	5010 821AA	3		EN0		INSERT, Vacuum Pump Rotor
11	4882 412	1		EN0		GEAR, Injection Pump
12	4882 403	1		EN0		GEAR, Camshaft
13	4723 233	1		EN0		PUMP, Engine Oil
14	4720 239	1		EN0		O RING, Adaptor Plate
15	5010 856AA	1		EN0		SEAL, Timing Belt Cover
16	5003 539AA	1		EN0		BOLT

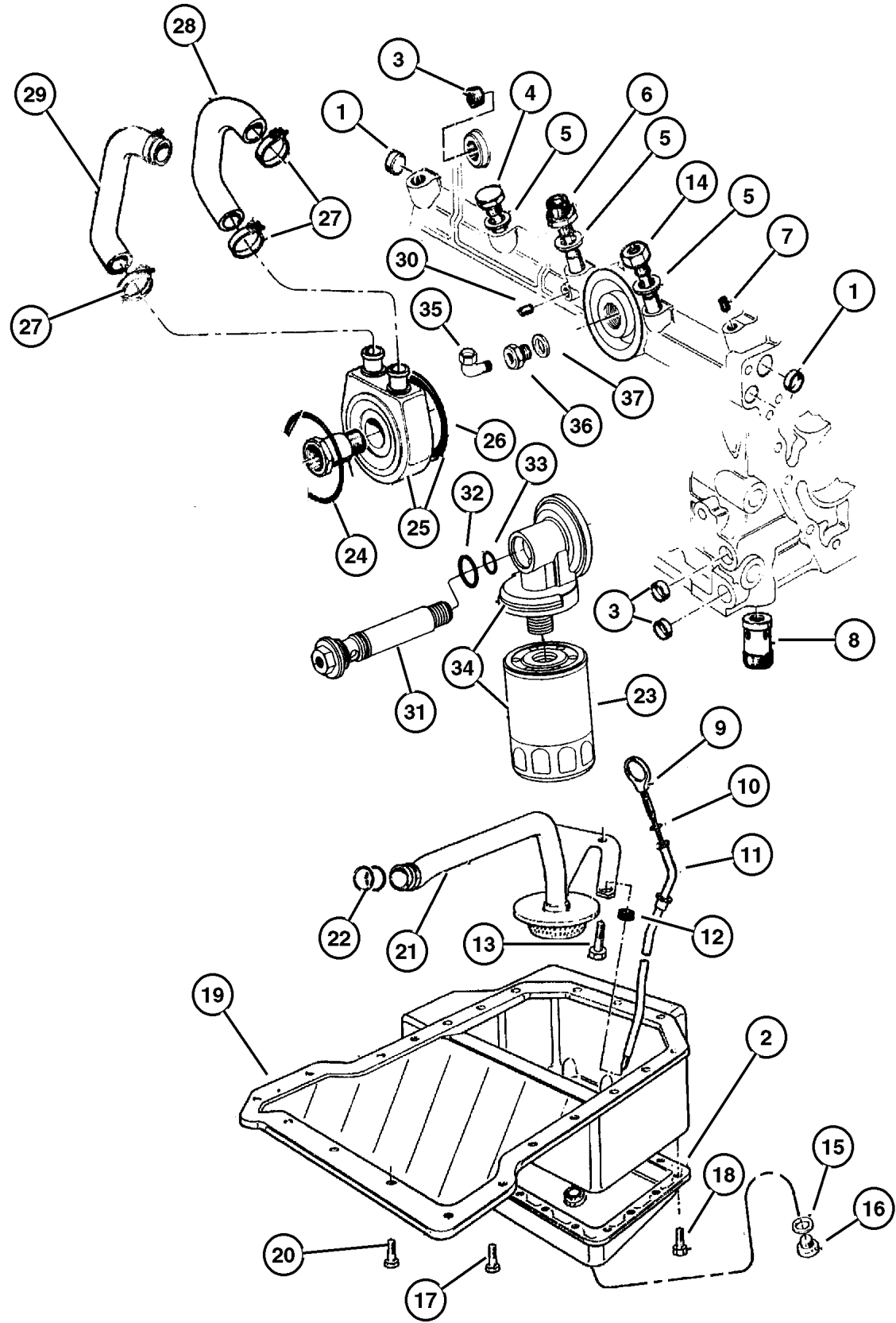


JEEP CHEROKEE (XJ)				
SERIES	LINE	BODY	ENGINE	TRANSMISSION
P=Classic	J=LHD (4WD)	74=4 Dr.(101.4WB)	ENC,EN0=2.5L 4 cyl. Turbo Die	DDD, DDQ=5 spd. Man.
S=Limited	U=RHD (4WD)	72=2 Dr.(101.4WB)	ERH,ER0=4.0L Power Tech I-6	DGS=4 spd. Auto. AISIN
H=Sport	T=LHD (2WD)		EPE,EP0=Magnum 2.5L SMPI	DG0=All Auto/Trans.
L=SE	B=RHD (2WD)			DBB=All Manual Trans.

AR = Use as required - = Non illustrated part # = New this model year

April 5, 2002

**Engine Oiling 2.5L (ENC) Diesel Engine  
Figure 2.5LD-710**



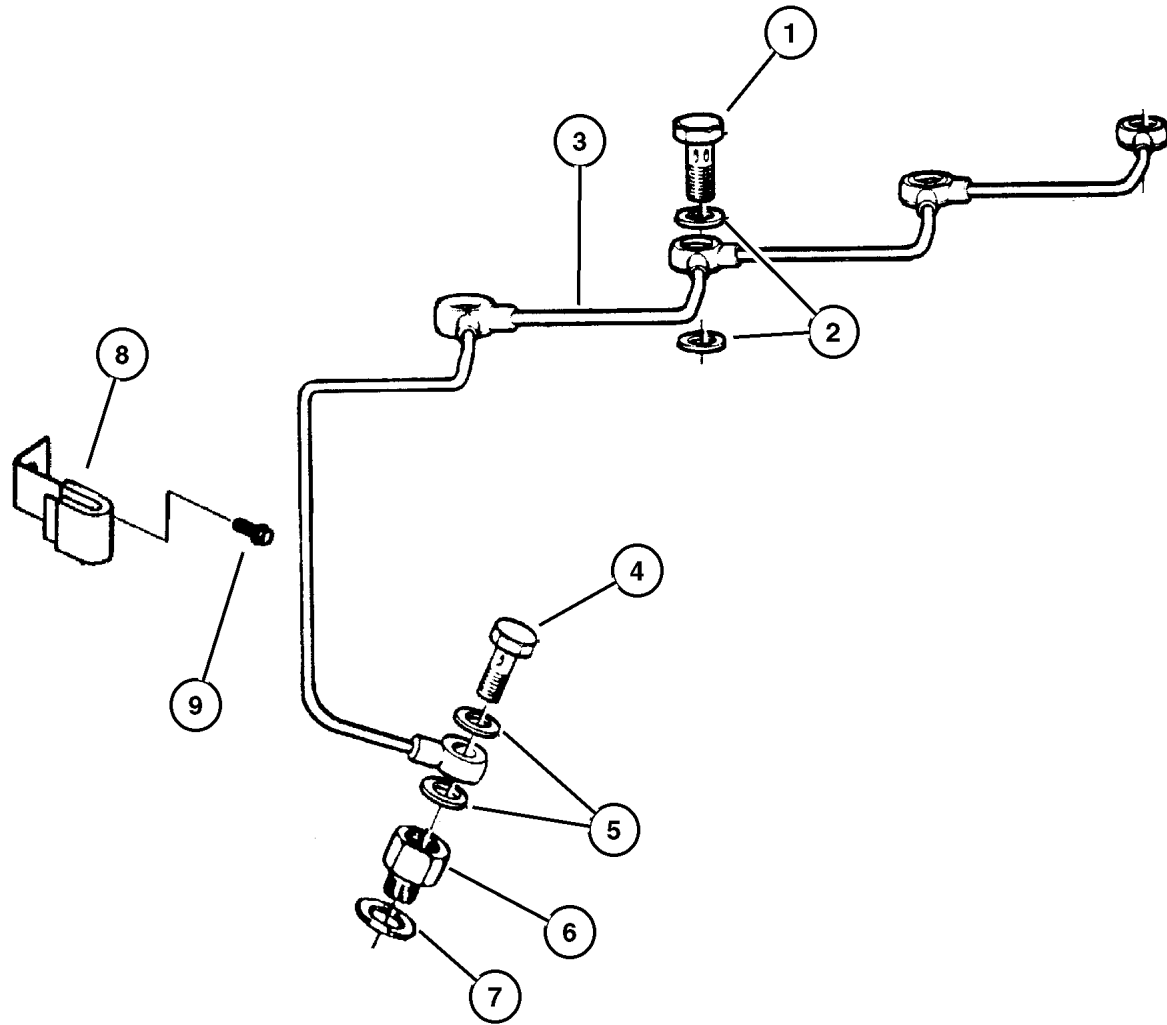
ITEM	PART NUMBER	QTY	LINE	ENGINE	TRANS	DESCRIPTION
NOTE: EN0=All 2.5L Diesel Engines nsmission						
1	4723 211	2		EN0		PLUG, Cylinder Block Oil Hole
2	4778 933	1		EN0		COVER, Oil Pump
3	4864 753	3		EN0		PLUG
4	4720 726	2		EN0		BOLT, Oil Feed To Turbo Adapter
5	4720 704	3		EN0		WASHER, Oil Pressure Transducer
6	4720 709	1		EN0		BOLT, Turbo Oil Feed Adapter
7	4883 424AA	2		EN0		PLUG, Cylinder Block
8	5003 543AA	1		EN0		VALVE, Oil Pressure Relief
9	4778 947	1		EN0		INDICATOR, Engine Oil Level
10	4720 373	1		EN0		O RING, Engine Oil Indicator
11	4882 408	1		EN0		TUBE, Oil Gauge
12	4720 362	1		EN0		GASKET, Engine Oil Indicator Pipe
13	5003 551AA	1		EN0		BOLT, M6x10
14	4720 726	2		EN0		BOLT, Oil Feed To Turbo Adapter
15	4720 353	1		EN0		WASHER, Plain
16	4720 352	1		EN0		PLUG, Oil Drain
17	5003 551AA	1		EN0		BOLT, M6x10
18	5003 557AA	13		EN0		SCREW
19	4778 935	1		EN0		PAN, Engine Oil
20	4864 551	20		EN0		SCREW
21	4778 937	1		EN0		PICKUP, Engine Oil
22	4720 374	2		EN0		O RING, Oil Suction Tube
23	5003 558AA	1		EN0		FILTER, Engine Oil
24	4720 375	1		EN0		O RING, Oil Filter Base
25	4720 366	1		EN0		COOLER, Engine Oil
26	4723 217	1		EN0		O RING, Oil Cooler
27	4883 924AA	4		EN0		CLAMP, Heater Hose
28	4864 578	1		EN0		HOSE, Oil Cooler
29	4778 988	1		EN0		HOSE, Engine Oil Cooler
30	4883 424AA	2		EN0		PLUG, Cylinder Block
31	5003 559AA	1		EN0		ADAPTER, Oil Pressure Sender
32	4723 334	1		EN0		GASKET, Valve
33	4886 305AA	1		EN0		O RING, Oil Filter Adapter
34	5010 893AA	1		EN0		BASE, Oil Filter
35	5014 070AA	1		EN0		ADAPTER, Oil Pressure Sender
36	5003 544AA	1		EN0		ADAPTER, Oil Pressure Sender
37	4797 784	1		EN0		WASHER, Plain, 16.2x19.9x1.5

JEEP CHEROKEE (XJ)				
SERIES	LINE	BODY	ENGINE	TRANSMISSION
P=Classic	J=LHD (4WD)	74=4 Dr.(101.4WB)	ENC,EN0=2.5L 4 cyl. Turbo Die	DDD, DDQ=5 spd. Man.
S=Limited	U=RHD (4WD)	72=2 Dr.(101.4WB)	ERH,ER0=4.0L Power Tech I-6	DGS=4 spd. Auto. AISIN
H=Sport	T=LHD (2WD)		EPE,EP0=Magnum 2.5L SMPI	DG0=All Auto/Trans.
L=SE	B=RHD (2WD)			DBB=All Manual Trans.

AR = Use as required - = Non illustrated part # = New this model year

April 5, 2002

**Oil Lines 2.5L (ENC) Diesel Engine  
Figure 2.5LD-720**



ITEM	PART NUMBER	QTY	LINE	ENGINE	TRANS	DESCRIPTION
------	-------------	-----	------	--------	-------	-------------

NOTE: EN0=All 2.5L Diesel Engines nsmission

1	4720 358	1		EN0		BOLT, Banjo
2	4720 554	2		EN0		WASHER, Banjo
3	5015 284AA	1		EN0		TUBE PACKAGE, Oil Feed
4	4720 358	1		EN0		BOLT, Banjo
5	4720 554	2		EN0		WASHER, Banjo
6	4863 777	1		EN0		UNION
7	4720 704	1		EN0		WASHER, Oil Pressure Transduser
8	5013 828AA	1		EN0		BRACKET, Tube
9	5014 071AA	1		EN0		BOLT, M5x10

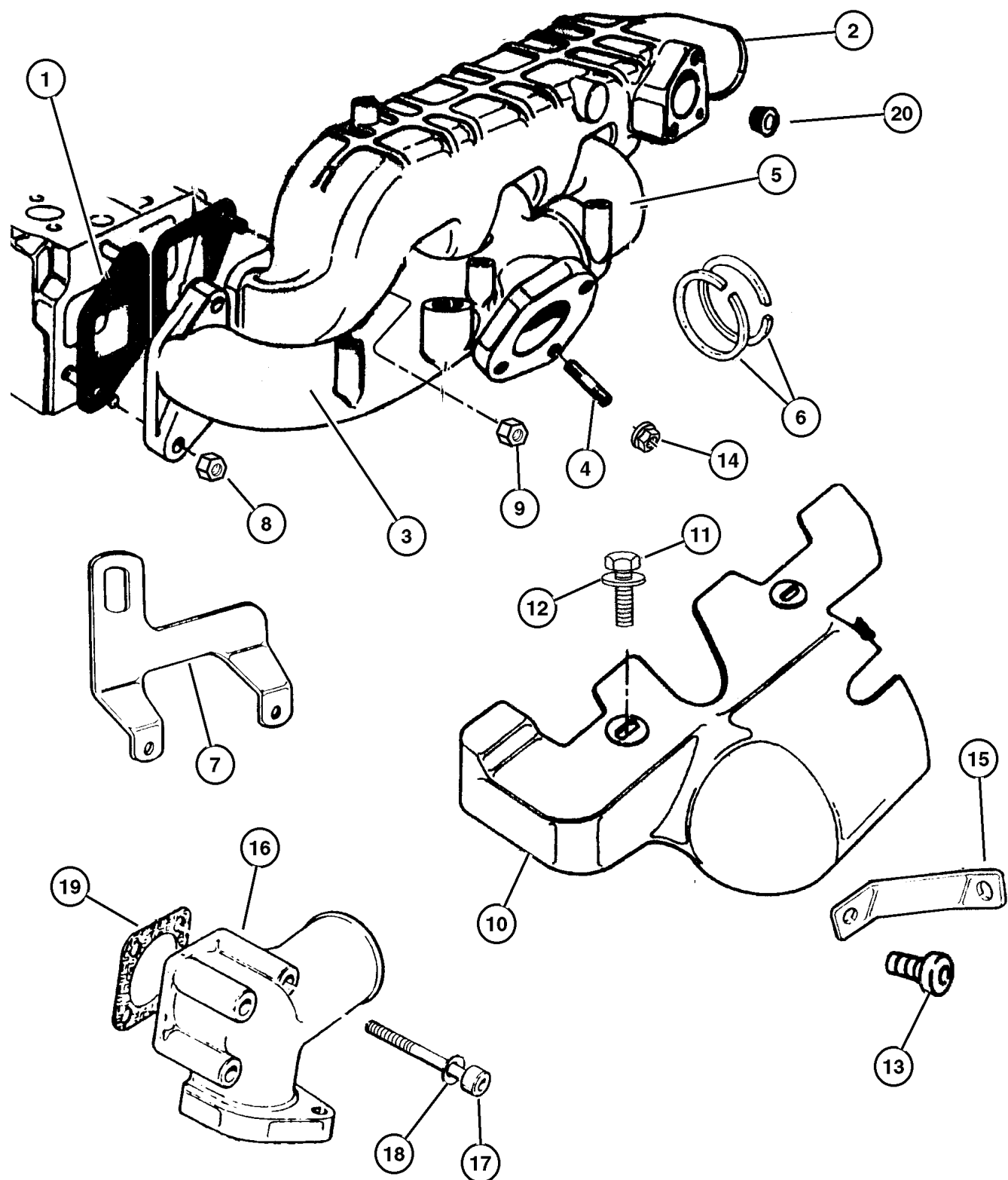
**JEEP CHEROKEE (XJ)**

SERIES	LINE	BODY	ENGINE	TRANSMISSION
P=Classic	J=LHD (4WD)	74=4 Dr.(101.4WB)	ENC,EN0=2.5L 4 cyl. Turbo Die	DDD, DDQ=5 spd. Man.
S=Limited	U=RHD (4WD)	72=2 Dr.(101.4WB)	ERH,ER0=4.0L Power Tech I-6	DGS=4 spd. Auto. AISIN
H=Sport	T=LHD (2WD)		EPE,EP0=Magnum 2.5L SMPI	DG0=All Auto/Trans.
L=SE	B=RHD (2WD)			DBB=All Manual Trans.

AR = Use as required - = Non illustrated part # = New this model year

April 5, 2002

**Manifold, Intake and Exhaust 2.5L (ENC) Diesel Engine**  
**Figure 2.5LD-810**



ITEM	PART NUMBER	QTY	LINE	ENGINE	TRANS	DESCRIPTION
NOTE: EN0=All 2.5L Diesel Engines nsmission						
1	5003 546AA	1		EN0		GASKET, Intake/Exhaust Manifold
2	5014 064AA	1		EN0		MANIFOLD, Intake
3	4778 957	1		EN0		MANIFOLD, Exhaust
4	4882 606	3		EN0		STUD, Turbo Elbow
5	4778 960	1		EN0		MANIFOLD, Exhaust
6	4720 214	2		EN0		CIRCLIP, Exhaust Manifold
7	5014 073AA	1		EN0		BRACKET, Engine Lift
8	4882 611	8		EN0		NUT, Lock
9	4778 961	8		EN0		NUT
10	4864 752	1		EN0		SHIELD, Heat
11	4728 183	2		EN0		BOLT, Exhaust Shield
12						WASHER, Starter
	4723 279	2		EN0		Up To 9-9-99
	4720 553	2		EN0		After 9-9-99
13	5003 551AA	1		EN0		BOLT, M6x10
14	4882 610	3		EN0		NUT, Lock
15	4796 396	1		EN0		BRACKET, Heat Shield
16	4778 963	1		EN0		ELBOW, Intake Manifold Vacuum
17	4886 291AA	4		EN0		BOLT, Water Manifold
18	4723 204	4		EN0		WASHER, Implement Attaching
19	4720 207	1		EN0		GASKET, Intake Connector
20	4883 425AA	1		EN0		PLUG

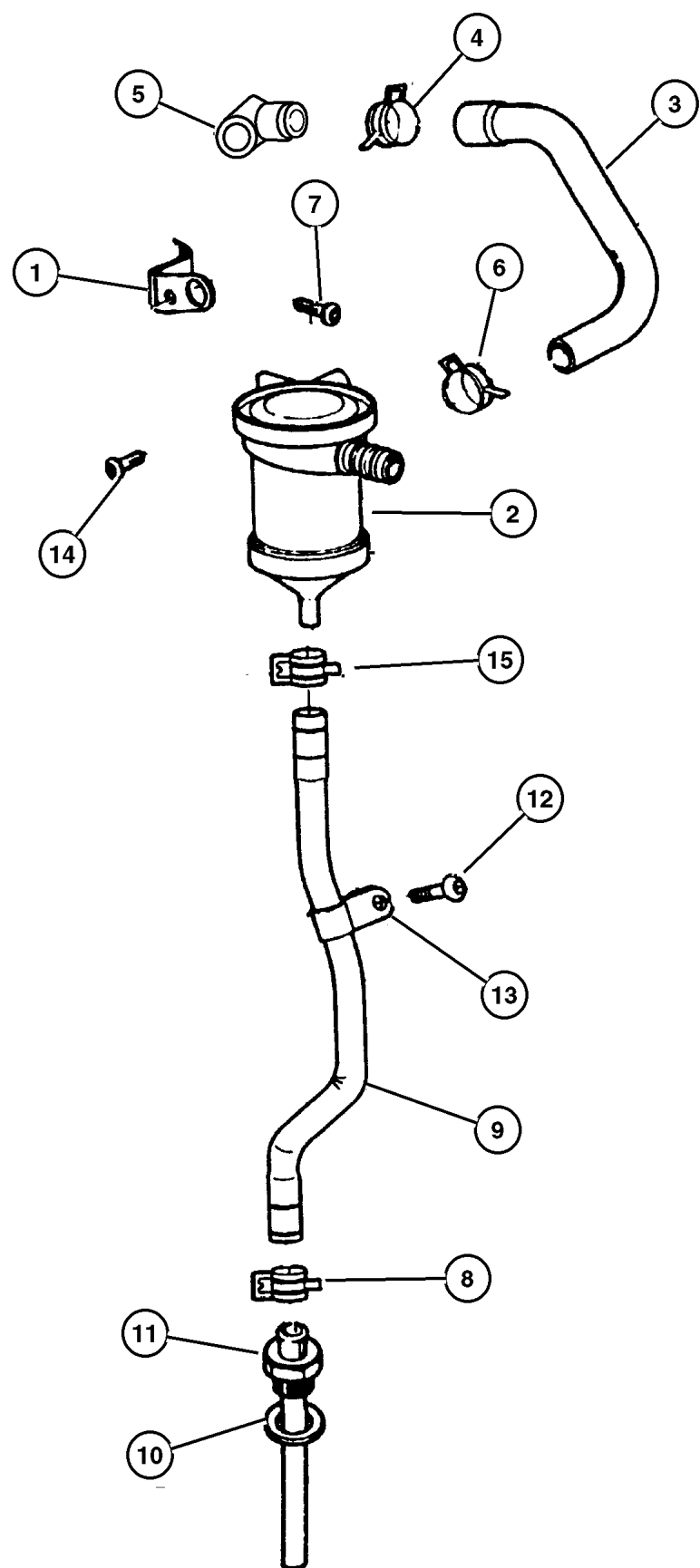
**JEEP CHEROKEE (XJ)**

SERIES	LINE	BODY	ENGINE	TRANSMISSION
P=Classic	J=LHD (4WD)	74=4 Dr.(101.4WB)	ENC,EN0=2.5L 4 cyl. Turbo Die	DDD, DDQ=5 spd. Man.
S=Limited	U=RHD (4WD)	72=2 Dr.(101.4WB)	ERH,ER0=4.0L Power Tech I-6	DGS=4 spd. Auto. AISIN
H=Sport	T=LHD (2WD)		EPE,EP0=Magnum 2.5L SMPI	DG0=All Auto/Trans.
L=SE	B=RHD (2WD)			DBB=All Manual Trans.

AR = Use as required - = Non illustrated part # = New this model year

April 5, 2002

**Crankcase Ventilation 2.5L (ENC) Diesel Engine**  
**Figure 2.5LD-910**



ITEM	PART NUMBER	QTY	LINE	ENGINE	TRANS	DESCRIPTION
NOTE: EN0=All 2.5L Diesel Engines nsmission						
1	4883 452AA	1		EN0		BRACKET, Oil Seperator, Engine
2	4863 796	1		EN0		SEPERATOR, Oil
3	4886 290AA	1		EN0		PIPE, Oil Separator
4	4886 044AA	1		EN0		CLAMP, Heater Hose
5	4720 691	1		EN0		ADAPTER, Crankcase Vent
6	4883 924AA	1		EN0		CLAMP, Heater Hose
7	5003 551AA	1		EN0		BOLT, M6x10
8	5003 552AA	1		EN0		CLAMP, Oil Seperator Hose
9	4883 454AA	1		EN0		TUBE, Oil Separator Drain
10	4720 704	1		EN0		WASHER, Oil Pressure Transduser
11	4778 942	1		EN0		ADAPTER, Oil Drain Pipe
12	5003 554AA	1		EN0		SCREW
13	4886 223AA	1		EN0		P CLIP
14	5003 553AA	1		EN0		SCREW
15	4886 051AA	1		EN0		CLAMP, Heater Hose

JEEP CHEROKEE (XJ)				
SERIES	LINE	BODY	ENGINE	TRANSMISSION
P=Classic	J=LHD (4WD)	74=4 Dr.(101.4WB)	ENC,EN0=2.5L 4 cyl. Turbo Die	DDD, DDQ=5 spd. Man.
S=Limited	U=RHD (4WD)	72=2 Dr.(101.4WB)	ERH,ER0=4.0L Power Tech I-6	DGS=4 spd. Auto. AISIN
H=Sport	T=LHD (2WD)		EPE,EP0=Magnum 2.5L SMPI	DG0=All Auto/Trans.
L=SE	B=RHD (2WD)			DBB=All Manual Trans.

AR = Use as required - = Non illustrated part # = New this model year

# Group – 011

## Exhaust

### GROUP 11 - Exhaust

Illustration Title

Group-Fig. No.

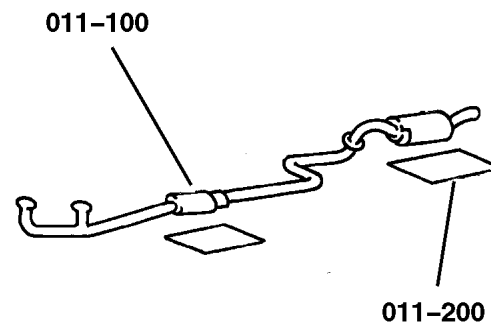
#### Exhaust System

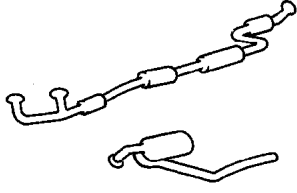
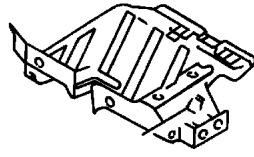
Exhaust System 2.5 [EPE] 4.0 [ERH] Engine 2.5L (EPE), 4.0L (ERH) Engine ..... Fig. 011-120

Exhaust System 2.5 [ENC] Diesel Engine ..... Fig. 011-140

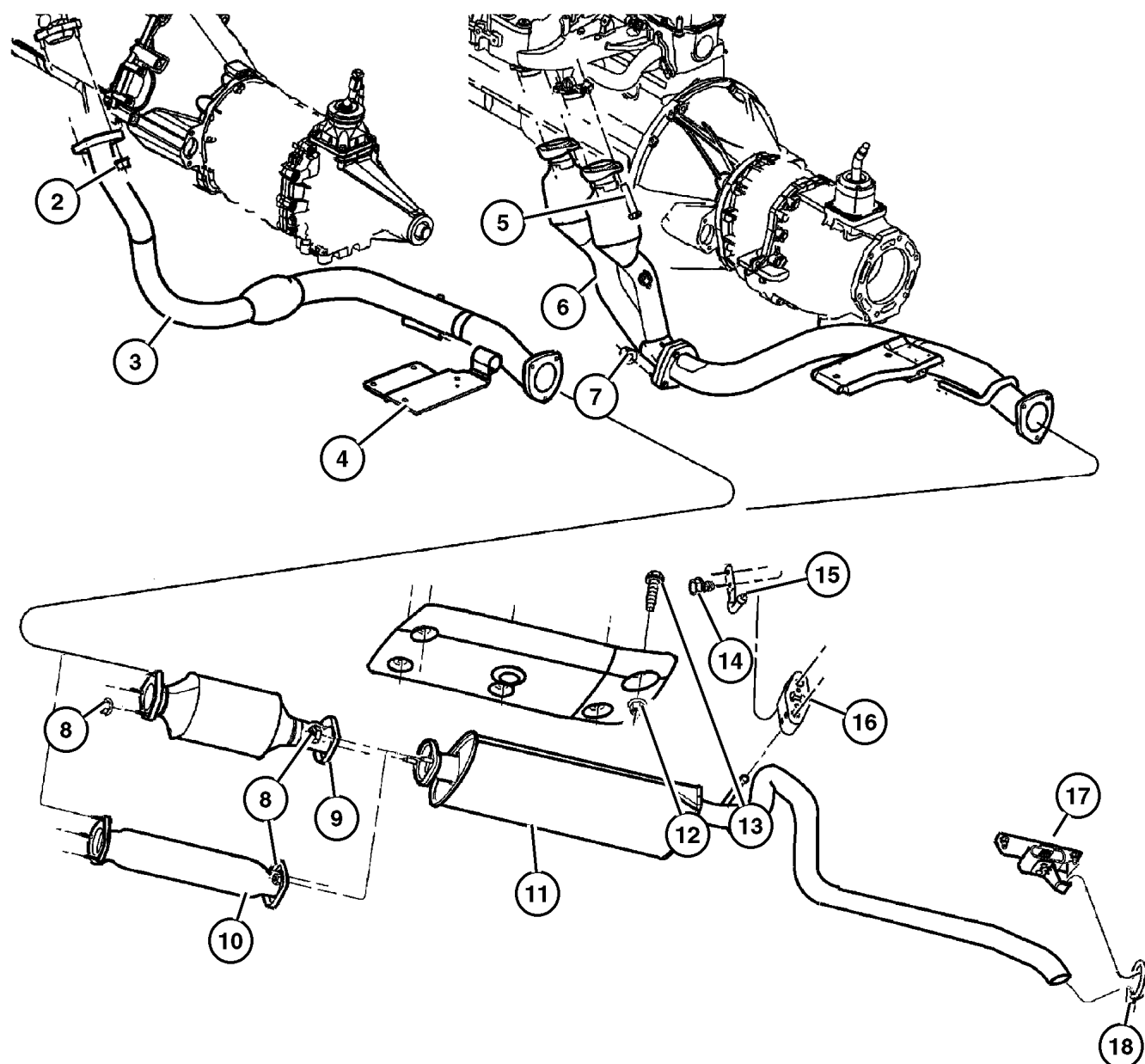
#### Heat Shields

Heat Shields 2.5L (EPE), 4.0L (ERH) Engine ..... Fig. 011-210



<p><b>011-100</b> Exhaust System</p> 	<p><b>011-200</b> Heat Shields</p> 		
--	--	--	--

**Exhaust System 2.5 [EPE] 4.0 [ERH] Engine 2.5L (EPE), 4.0L (ERH) Engine  
Figure 011-120**



ITEM	PART NUMBER	QTY	LINE	SERIES	BODY	ENGINE	TRANS	DESCRIPTION
-1								PIPE, Exhaust
	52021 047AF	1				EP0		Federal, Europe II, Leaded Fuel Up to 1-20-00
	#52021 047AG	1				EP0		Federal, Europe II, Leaded Fuel After 1-20-00
	#52101 193AF	1				ER0		Federal, Europe II, Leaded Fuel, Up to Built Date 1-20-00
	#52101 193AH	1				ER0	DG0	Federal, Europe II, Leaded Fuel After Built Date 1-20-00
2	J400 5142	2				EP0		NUT, Hex Flange Lock
3								CONVERTER, Catalytic
	#52020 027AC	1				EP0		California After 1-20-00
	52020 027AB	1				EP0		California, Up to 1-20-00
4	5207 9405	1				EN0		SHIELD, Heat
5	6505 754AA	4				ER0		SCREW, Hex Head
6	#52101 112AD	1				ER0		PIPE AND CONVERTER, Exhaust, To Manifold
7								NUT, Hex Flange, M8x1.25, (NOT SERVICED)
8	#6101 696	2						NUT
9								CONVERTER, Catalytic
	#52019 480AH	1				EP0		Federal, Europe II, After 1/20/00
	52019 480AG	1				ER0		Federal, Europe II, Up to 1/20/00
		1				EP0		Federal, Europe II, Up to 1/20/00
10	#52019 500AD	1				EP0, ER0		RESONATOR, Exhaust
11								MUFFLER AND TAILPIPE, Exhaust
	#52101 052AD	1				EP0		
	52101 262AF	1				ER0		
12	J012 0375	5				EP0, ER0		NUT, Hex, .250-20
13	6034 997	5						SCREW, Hex Head, .25-20x.75
14	J400 1933	1	B, U			EP0, ER0		SCREW, Hex Flange Head, .312-x18x.875
15	5200 2403	1						HANGER, Exhaust
16	5200 1759	1						INSULATOR, Exhaust
17	52101 097AC	1						HANGER, Tailpipe
18	#52101 265AA	1				EN0, ER0		CLAMP, Exhaust

**JEEP CHEROKEE (XJ)**

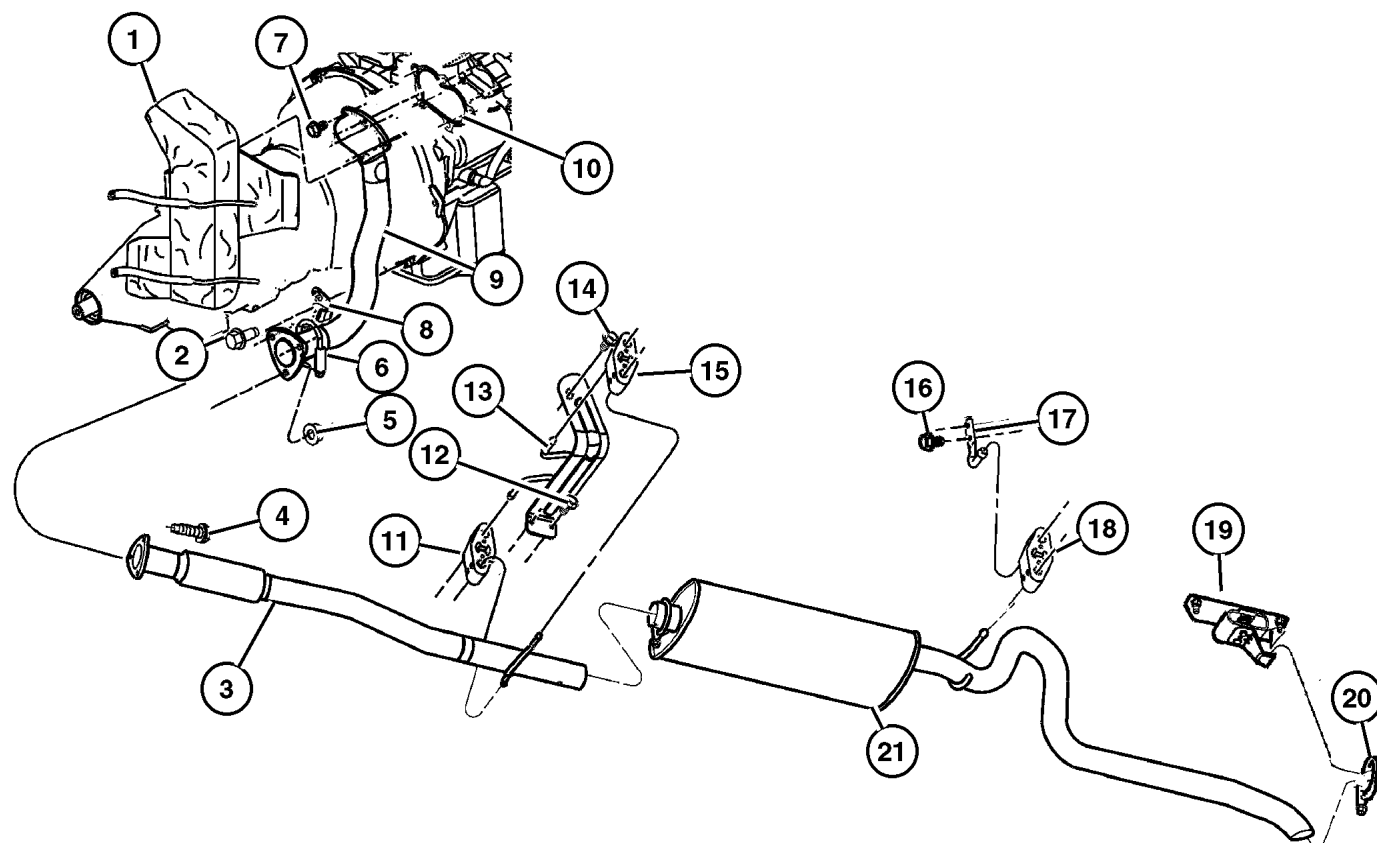
SERIES	LINE	BODY	ENGINE	TRANSMISSION
P=Classic	J=LHD (4WD)	74=4 Dr.(101.4WB)	ENC,EN0=2.5L 4 cyl. Turbo Die	DDD, DDQ=5 spd. Man.
S=Limited	U=RHD (4WD)	72=2 Dr.(101.4WB)	ERH,ER0=4.0L Power Tech I-6	DGS=4 spd. Auto. AISIN
H=Sport	T=LHD (2WD)		EPE,EP0=Magnum 2.5L SMPI	DG0=All Auto/Trans.
L=SE	B=RHD (2WD)			DBB=All Manual Trans.

AR = Use as required - = Non illustrated part # = New this model year

April 5, 2002



## Exhaust System 2.5 [ENC] Diesel Engine Figure 011-140



ITEM	PART NUMBER	QTY	LINE	SERIES	BODY	ENGINE	TRANS	DESCRIPTION
NOTE: EN0=All 2.5L Diesel Engines, ENC= 2.5L Diesel Engine, ERO= All 4.0L Gas Engines nmission								
1	5207 9405	1				EN0		SHIELD, Heat
2								BOLT, Tran Bolt, (NOT SERVICED)
3	52101 111AD	1				EN0		PIPE, Exhaust
4	6034 501	3				EN0		SCREW, Hex Head Header Point, .375-16x1.375
5	6031 959	3				EN0		NUT, Hex Flange Lock
6	6100 055	2						NUT AND WASHER, Hex Nut-Coned Washer, M12 x 1.75
7	6504 070	5				ENC		SCREW, M8-1.25
8	52018 818AC	1				EN0		FLANGE, Exhaust Pipe
9	52019 388AB	1				ENC		ADAPTER, Turbo
10	5201 8875	1				EN0		GASKET, Turbo Adapter
11	5201 7607	2				EN0		INSULATOR, Exhaust
12	6101 777	2				EN0		SCREW, Hex Flange Head Tapping, M6x1.00x20.00
13	5210 1056	1				EN0		HANGER, Muffler
14	6100 574	1				EN0		BOLT AND CONED WASHER, Hex Head, M8x20x17
15	5201 7607	2				EN0		INSULATOR, Exhaust
16	J400 1933	2						SCREW, Hex Flange Head, .312-x18x.875
17	5200 2403	1						HANGER, Exhaust
18	5200 1759	1						INSULATOR, Exhaust
19	52101 097AC	1						HANGER, Tailpipe
20	#52101 265AA	1				EN0, ERO		CLAMP, Exhaust
21								MUFFLER AND TAILPIPE, Exhaust
	#52101 052AF	1				EP0		
	#52101 063AG	1				EN0		
	#52101 262AH	1				ERO		

### JEEP CHEROKEE (XJ)

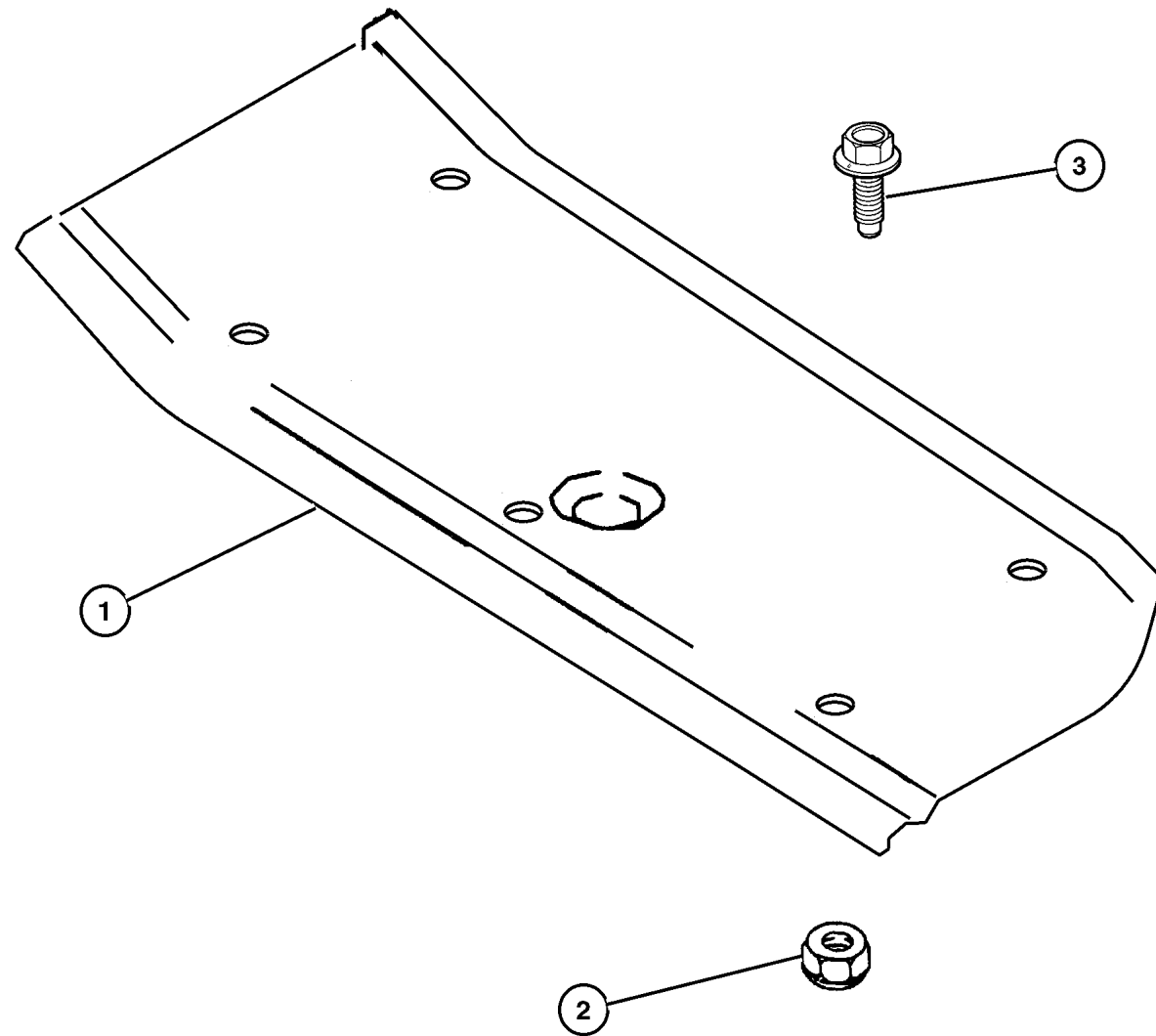
SERIES	LINE	BODY	ENGINE	TRANSMISSION
P=Classic	J=LHD (4WD)	74=4 Dr.(101.4WB)	ENC,EN0=2.5L 4 cyl. Turbo Die	DDD, DDQ=5 spd. Man.
S=Limited	U=RHD (4WD)	72=2 Dr.(101.4WB)	ERH,ER0=4.0L Power Tech I-6	DGS=4 spd. Auto. AISIN
H=Sport	T=LHD (2WD)		EPE,EP0=Magnum 2.5L SMPI	DG0=All Auto/Trans.
L=SE	B=RHD (2WD)			DBB=All Manual Trans.

AR = Use as required - = Non illustrated part # = New this model year

April 5, 2002

**Heat Shields 2.5L (EPE), 4.0L (ERH) Engine  
Figure 011-210**

ITEM	PART NUMBER	QTY	LINE	SERIES	BODY	ENGINE	TRANS	DESCRIPTION
NOTE: EP0=All 2.5L Engines ER0=All 4.0L Engines nsmission								
1	55235 811AB	1				EP0, ER0		SHIELD, Muffler
2	J012 0375	5				EP0, ER0		NUT, Hex, .250-20
3								SCREW, (NOT SERVICED)



JEEP CHEROKEE (XJ)				
SERIES	LINE	BODY	ENGINE	TRANSMISSION
P=Classic	J=LHD (4WD)	74=4 Dr.(101.4WB)	ENC,EN0=2.5L 4 cyl. Turbo Die	DDD, DDQ=5 spd. Man.
S=Limited	U=RHD (4WD)	72=2 Dr.(101.4WB)	ERH,ER0=4.0L Power Tech I-6	DGS=4 spd. Auto. AISIN
H=Sport	T=LHD (2WD)		EPE,EP0=Magnum 2.5L SMPI	DG0=All Auto/Trans.
L=SE	B=RHD (2WD)			DBB=All Manual Trans.

AR = Use as required - = Non illustrated part # = New this model year

April 5, 2002

# Group – 013

## Frames and Bumpers

### GROUP 13 - Frames and Bumpers

Illustration Title

Group-Fig. No.

#### Front Bumper and Fascia

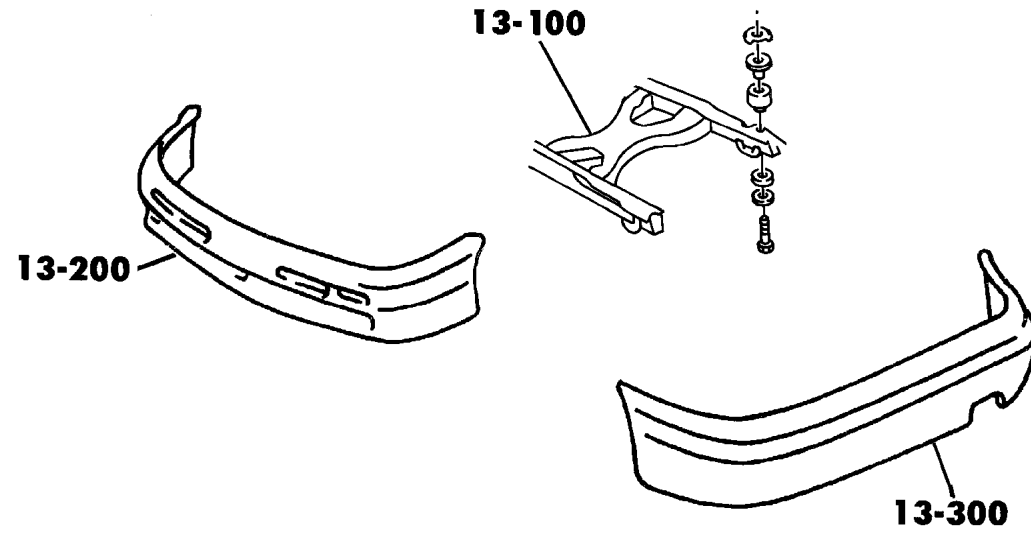
Bumper, Front ..... Fig. 013-210

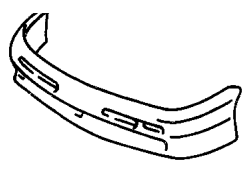
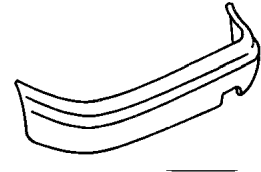

#### Rear Bumper and Fascia

Bumper, Rear ..... Fig. 013-310

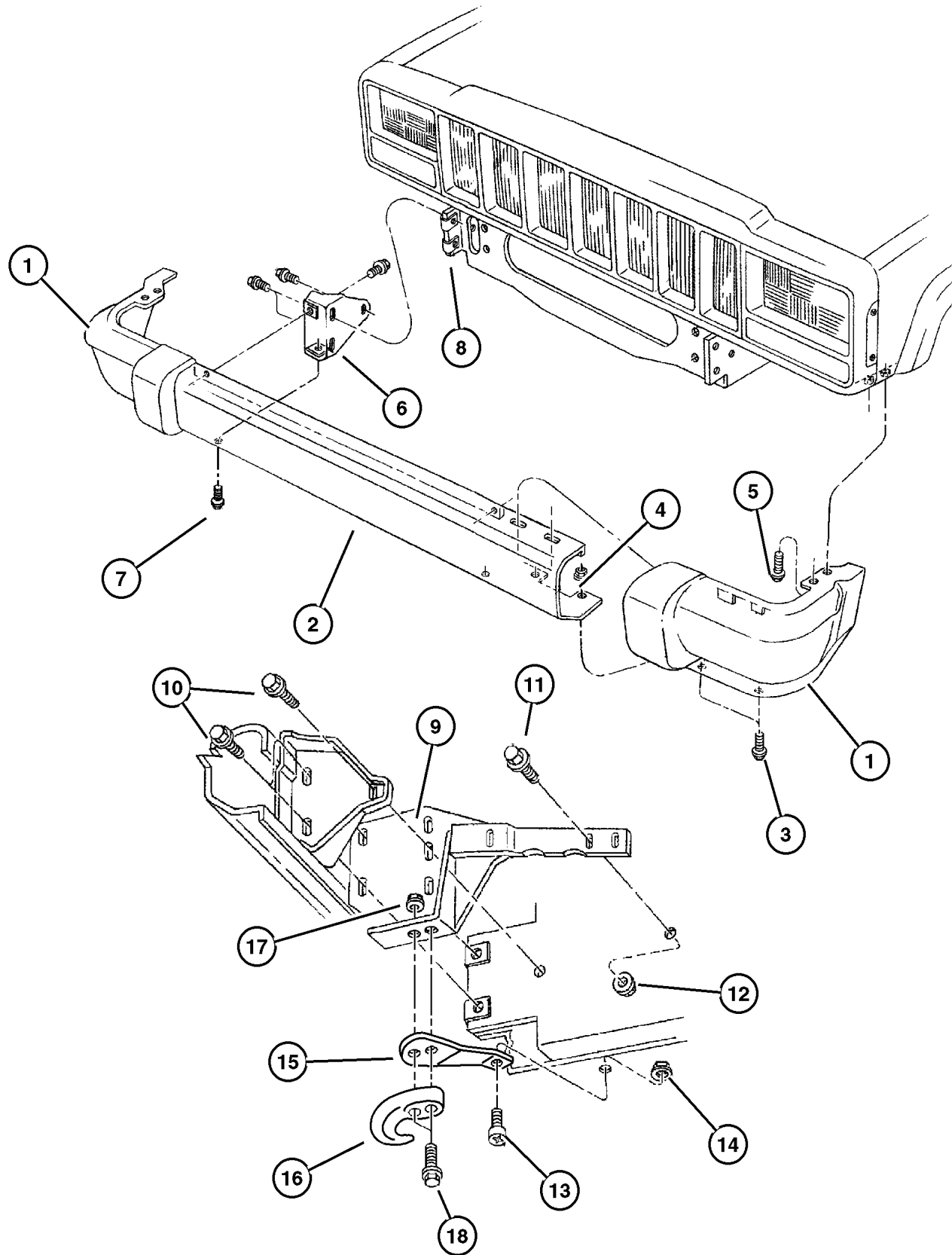
#### Trailer Tow

Hitch, Trailer Tow ..... Fig. 013-610



<p><b>013-200</b> Front Bumper and Fascia</p> 	<p><b>013-300</b> Rear Bumper and Fascia</p> 	<p><b>013-600</b> Trailer Tow</p> 	
---	--	---	--

## Bumper, Front Figure 013-210



ITEM	PART NUMBER	QTY	LINE	SERIES	BODY	DESCRIPTION
1						END CAP, Bumper
	5DY00 DX8AC	1				[X8] [MBM], Right
	5DY00 PR4AC	1				[R4] [MBM], Right
	5DY00 RJPAC	1				[JP] [MBM], Right
	5DY00 SG8AC	1				[G8] [MBM], Right
	5DY00 SW1AC	1				[W1] [MBM], Right
	5DY00 WBTAC	1				[BT] [MBM], Right
	5DY00 WTDAC	1				[TD] [MBM], Right
	5DY00 WU7AC	1				[U7] [MBM], Right
	5DY00 XS5AC	1				[S5] [MBM], Right
	5DY40 DX9AC	1				Sport [MBK], Right
	5DY01 DX8AC	1				[X8] [MBM], Left
	5DY01 PR4AC	1				[R4] [MBM], Left
	5DY01 RJPAC	1				[JP] [MBM], Left
	5DY01 SG8AC	1				[G8] [MBM], Left
	5DY01 SW1AC	1				[W1] [MBM], Left
	5DY01 WBTAC	1				[BT] [MBM], Left
	5DY01 WTDAC	1				[TD] [MBM], Left
	5DY01 WU7AC	1				[U7] [MBM], Left
	5DY01 XS5AC	1				[S5] [MBM], Left
	5DY41 DX9AC	1				Sport [MBK], Left
2						BAR, Bumper Front - Painted
	5EE85 JX8AC	1				Black [MBJ]
	5EE85 PR4AC	1				[R4] [MBL]
	5EE85 SG8AC	1				[G8] [MBL]
	5EE85 SW1AC	1				[W1] [MBL]
	5EE85 WTDAC	1				[TD] [MBL]
	5EE85 RJPAC	1				[JP] [MBL]
	5EE85 WBTAC	1				[BT] [MBL]
	5EE85 WU7AC	1				[U7] [MBL]
	5EE85 XS5AC	1				[S5] [MBL]
3						BOLT AND CONED WASHER, Hex Head, M6x20x12.5, (NOT REQUIRED)
4	6101 694	4				NUT, M6x1.00
5	6504 249	4				SCREW, Hex Head, M6x1x20
6						BRACKET, Bumper
	55175 268AB	1				Right
	55175 269AB	1				Left
7	1150 0662	4				NUT, U Type, M10 x 1.50
8	3420 1540	2				BOLT AND WASHER, Implement Attaching
9						BRACKET, Front Bumper
	55155 096AB	1				Right
	55155 097AB	1				Left

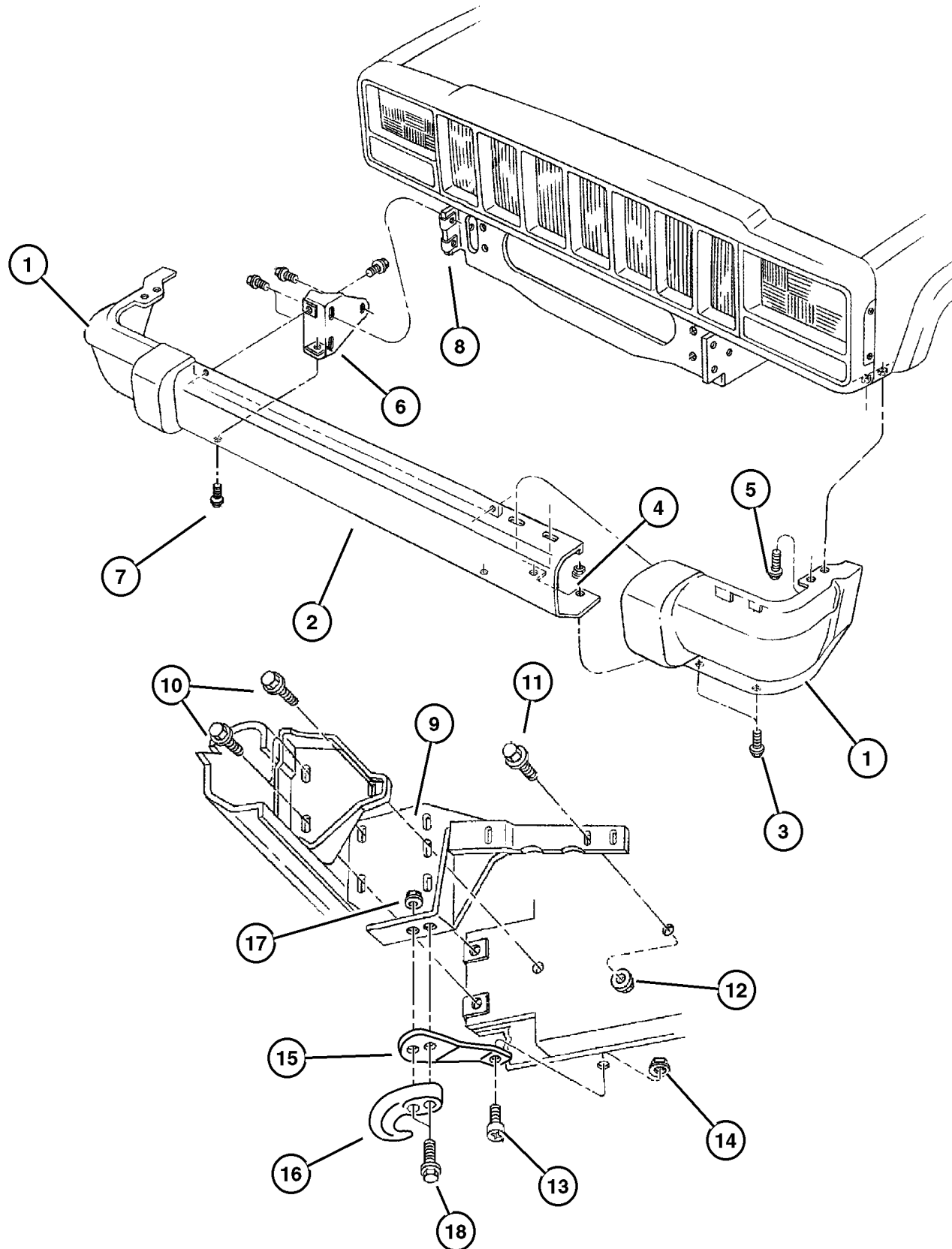
### JEEP CHEROKEE (XJ)

SERIES	LINE	BODY	ENGINE	TRANSMISSION
P=Classic	J=LHD (4WD)	74=4 Dr.(101.4WB)	ENC,EN0=2.5L 4 cyl. Turbo Die	DDD, DDQ=5 spd. Man.
S=Limited	U=RHD (4WD)	72=2 Dr.(101.4WB)	ERH,ER0=4.0L Power Tech I-6	DGS=4 spd. Auto. AISIN
H=Sport	T=LHD (2WD)		EPE,EP0=Magnum 2.5L SMPI	DG0=All Auto/Trans.
L=SE	B=RHD (2WD)			DBB=All Manual Trans.

AR = Use as required - = Non illustrated part # = New this model year

April 5, 2002

# Bumper, Front Figure 013-210



ITEM	PART NUMBER	QTY	LINE	SERIES	BODY	DESCRIPTION
10	3420 2219	6				BOLT AND WASHER, Hex Head
11	3420 2388	1				BOLT, Button Head Torx, M14 x 2.0 x 80
12	6502 698	1				NUT
13	6101 452	2				SCREW AND WASHER, Hex Head, M8x1.25x20
14	6101 695	2				NUT, Hex Flange Lock, M8x1.25
15						BRACE, Tow Hook
	5200 1972	1				Right
	5200 1973	1				Left
16	52057 999AB	2				HOOK, Tow
17	6502 697	2				NUT, Hex Flange Lock, M12x1.75
18	6504 910AA	4				BOLT, Hex Flange Head, M12x1.75x87.50
-19						DEFLECTOR, Air
	5EF0 8DX9	1		L		Black
		1		H		Black
	5EP0 4DX8	1		P		[K3X]
	5EP0 4PR4	1		P		[K3R]
	5EP0 4RJP	1		P		[K3M]
	5EP0 4SG8	1		P		[K3G]
	5EP0 4SW1	1		P		[K3N]
	5EP0 4WBT	1		P		[K3B]
	5EP0 4WTD	1		P		[K3S]
	5EP0 4WU7	1		P		[K3U]
	5EP0 4XS5	1		P		[K3L]
-20	6035 944AA	3				RIVET
-21	5200 3479	1				BRACKET, License Plate

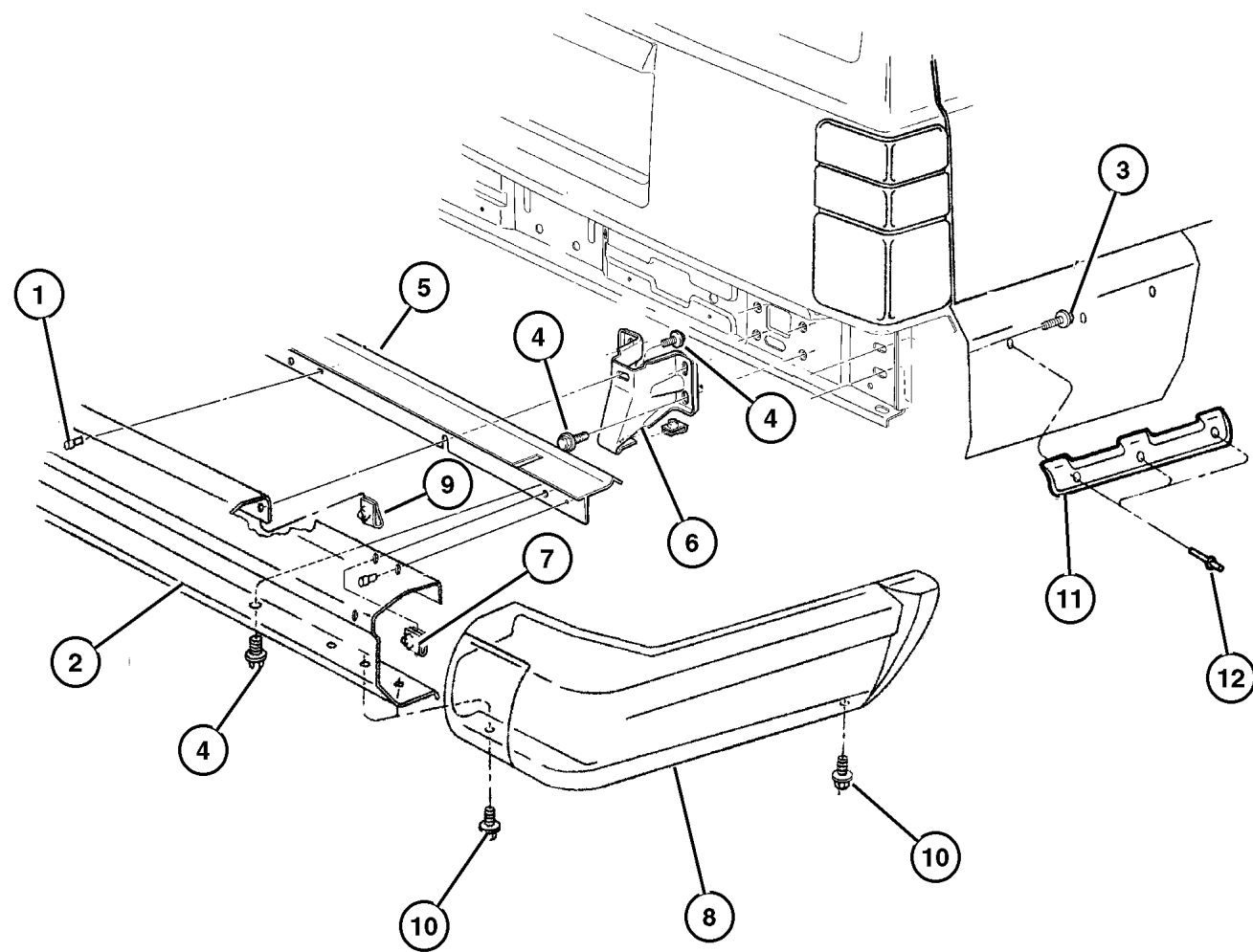
### JEEP CHEROKEE (XJ)

SERIES	LINE	BODY	ENGINE	TRANSMISSION
P=Classic	J=LHD (4WD)	74=4 Dr.(101.4WB)	ENC,EN0=2.5L 4 cyl. Turbo Die	DDD, DDQ=5 spd. Man.
S=Limited	U=RHD (4WD)	72=2 Dr.(101.4WB)	ERH,ER0=4.0L Power Tech I-6	DGS=4 spd. Auto. AISIN
H=Sport	T=LHD (2WD)		EPE,EP0=Magnum 2.5L SMPI	DG0=All Auto/Trans.
L=SE	B=RHD (2WD)			DBB=All Manual Trans.

AR = Use as required - = Non illustrated part # = New this model year

April 5, 2002

## Bumper, Rear Figure 013-310



ITEM	PART NUMBER	QTY	LINE	SERIES	BODY	DESCRIPTION
1						RIVET, M5x20.00 Plastic, (NOT SERVICED)
2	5EE84 DX8AF	1				BUMPER, Rear
3	J400 1933	4				SCREW, Hex Flange Head, .312-x18x.875
4	3420 1540	8				BOLT AND WASHER, Implement Attaching
5	5502 6542	1				SHIELD, Bumper
6						BRACKET, Bumper
	55155 990AA	1				Right
	55155 991AA	1				Left
7						U-NUT, M8x1.25, (NOT SERVICED)
8						END CAP, Bumper
	5DY0 8DX8	1				Black [MBW], Right
	5DY0 8PR4	1				Red [MBW], Right
	5DY0 8SG8	1				Green [MBW], Right
	5DY0 8SW1	1				White [MBW], Right
	5DY0 8TCN	1				Amethyst, Right
	5DY0 8TQ7	1				Gunmetal [MBW], Right
	5DY0 8VEA	1				Chillipepper Red [MBW], Right
	5DY0 8WTD	1				Desert Sand [MBW], Right
	5DY0 9DX8	1				Black [MBW], Left
	5DY0 9PR4	1				Red [MBW], Left
	5DY0 9SG8	1				Green [MBW], Left
	5DY0 9SW1	1				White [MBW], Left
	5DY0 9WTD	1				Desert Sand [MBW], Left
	5DY1 0DX9	1				[MBS], Right
	5DY1 1DX9	1				[MBS], Left
9	1150 0662	4				NUT, U Type, M10 x 1.50
10	6101 455	2				SCREW AND WASHER, Hex Head, M6x1x20
11						BRACKET
	5517 5692	1				Right
	5517 5693	1				Left
12	6035 122	4				RIVET, .187x.70 Black

### JEEP CHEROKEE (XJ)

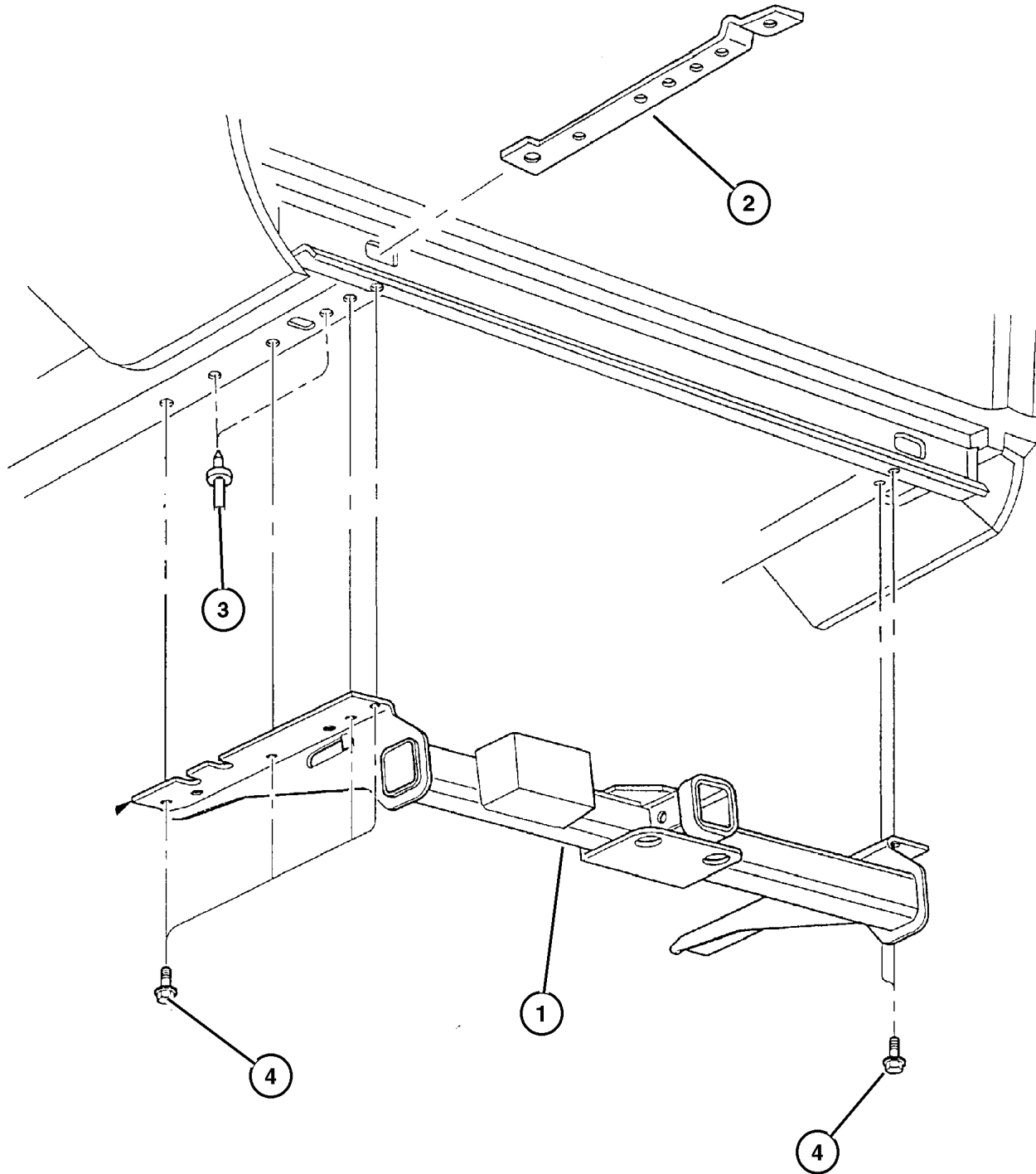
SERIES	LINE	BODY	ENGINE	TRANSMISSION
P=Classic	J=LHD (4WD)	74=4 Dr.(101.4WB)	ENC,EN0=2.5L 4 cyl. Turbo Die	DDD, DDQ=5 spd. Man.
S=Limited	U=RHD (4WD)	72=2 Dr.(101.4WB)	ERH,ER0=4.0L Power Tech I-6	DGS=4 spd. Auto. AISIN
H=Sport	T=LHD (2WD)		EPE,EP0=Magnum 2.5L SMPI	DG0=All Auto/Trans.
L=SE	B=RHD (2WD)			DBB=All Manual Trans.

AR = Use as required - = Non illustrated part # = New this model year

April 5, 2002

### Hitch, Trailer Tow Figure 013-610

ITEM	PART NUMBER	QTY	LINE	SERIES	BODY	DESCRIPTION
1	5205 8266	1				HITCH, Trailer
2						REINFORCEMENT, Sill
	5200 1174	1				Right
	5200 1175	1				Left
3						RIVET, M6.3x14.02, (NOT SERVICED)
4	3420 1964	6				BOLT, Hex Flange Head, M12x1.75x40



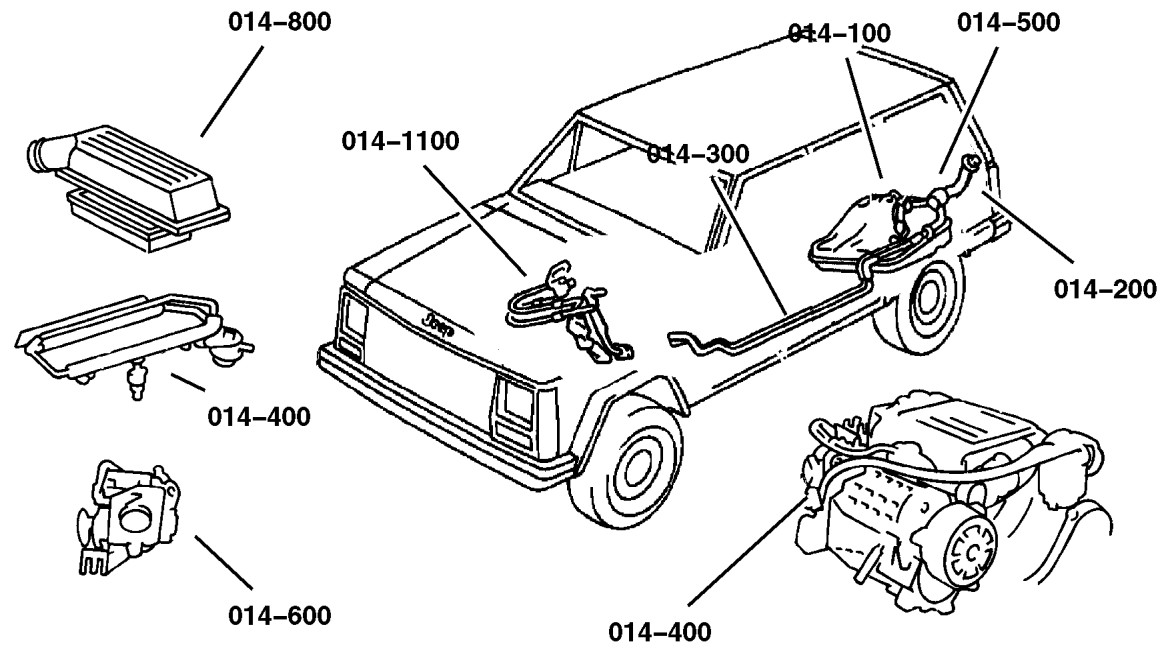
JEEP CHEROKEE (XJ)				
SERIES	LINE	BODY	ENGINE	TRANSMISSION
P=Classic	J=LHD (4WD)	74=4 Dr.(101.4WB)	ENC,EN0=2.5L 4 cyl. Turbo Die	DDD, DDQ=5 spd. Man.
S=Limited	U=RHD (4WD)	72=2 Dr.(101.4WB)	ERH,ER0=4.0L Power Tech I-6	DGS=4 spd. Auto. AISIN
H=Sport	T=LHD (2WD)		EPE,EP0=Magnum 2.5L SMPI	DG0=All Auto/Trans.
L=SE	B=RHD (2WD)			DBB=All Manual Trans.

AR = Use as required - = Non illustrated part # = New this model year

April 5, 2002

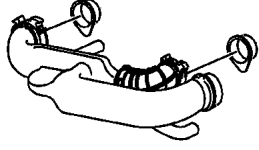
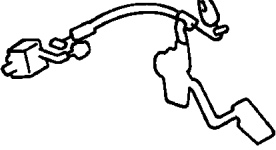

# Group – 014

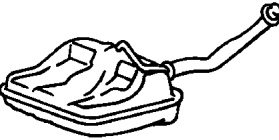
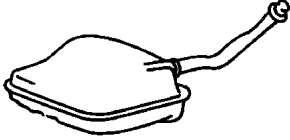
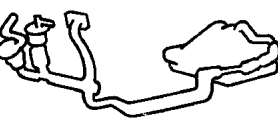
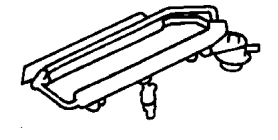
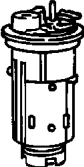

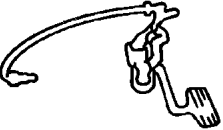
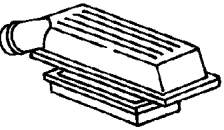
## Fuel



# Group – 014

## Fuel

<p><b>014-900</b> Air Intake System</p> 	<p><b>014-1000</b> Speed Control</p> 	<p><b>014-1100</b> Accelerator Pedal</p> 	
---	--	--	--

<p><b>014-100</b> Tank, Fuel</p> 	<p><b>014-200</b> Fuel Tank Filler Tube</p> 	<p><b>014-300</b> Fuel Lines</p> 	<p><b>014-400</b> Fuel Rail</p> 
<p><b>014-500</b> Fuel Pump and Sending Unit</p> 	<p><b>014-600</b> Throttle Body</p> 	<p><b>014-700</b> Throttle Controls</p> 	<p><b>014-800</b> Air Cleaner</p> 

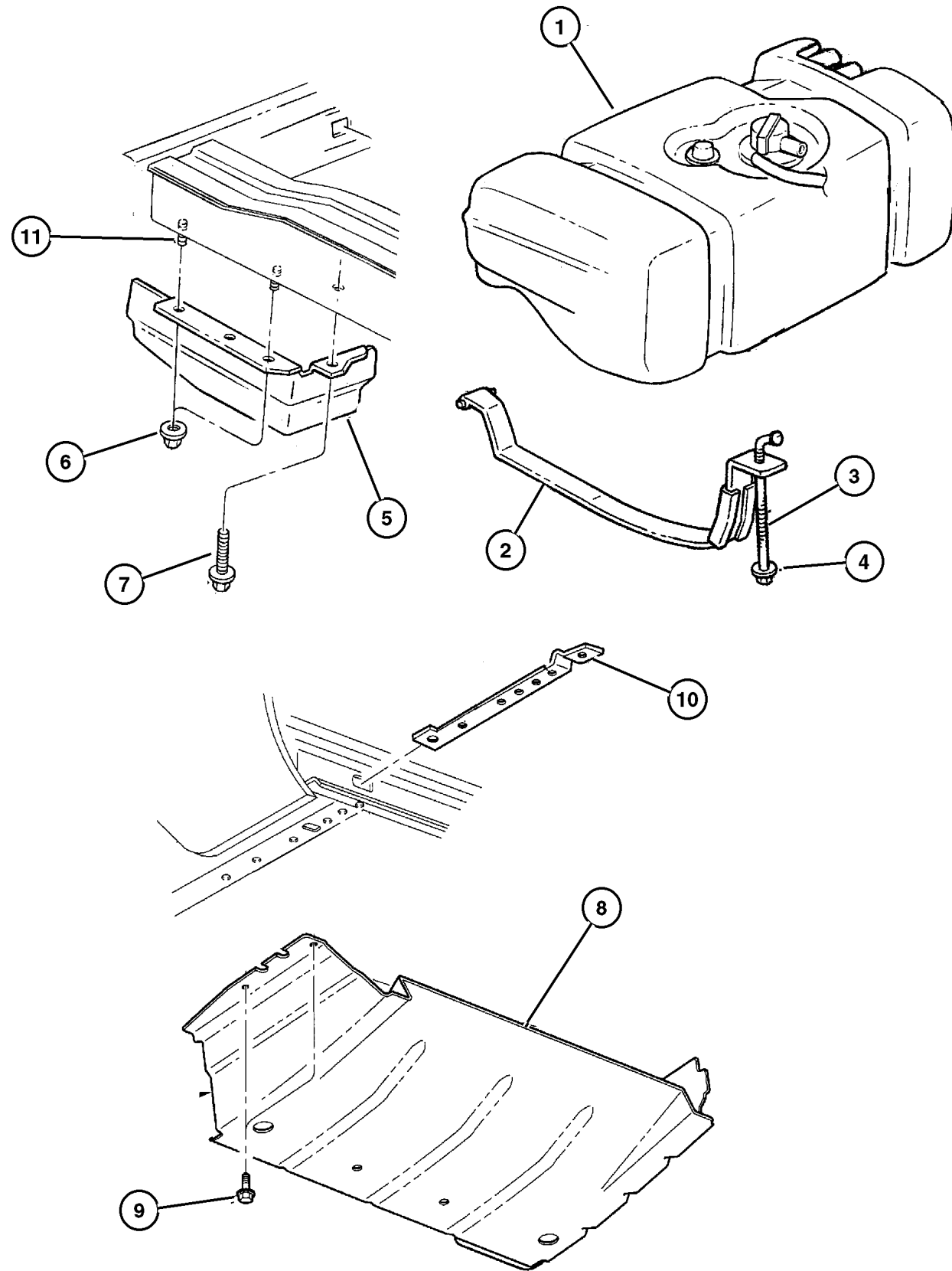


---

## GROUP 14 - Fuel

Illustration Title	Group-Fig. No.
<b>Tank, Fuel</b>	
Fuel Tank 2.5L (EPE), 2.5L (ENC) Diesel, 4.0L (ERH) Engine .....	Fig. 014-120
<b>Fuel Tank Filler Tube</b>	
Fuel Tank Filler Tube 2.5L (EPE), 2.5L (ENC) Diesel, 4.0L (ERH) Engine .....	Fig. 014-220
<b>Fuel Lines</b>	
Fuel Lines, Front 2.5L (EPE), 4.0L (ERH) Engine .....	Fig. 014-310
Fuel Lines, Rear 2.5L (EPE), 4.0L (ERH) Engine .....	Fig. 014-320
Fuel Lines, Front 2.5L (ENC) Diesel Engine .....	Fig. 014-325
Fuel Lines, Rear 2.5L (ENC) Diesel Engine .....	Fig. 014-335
<b>Fuel Rail</b>	
Fuel Injection System 2.5L (EPE), 4.0L (ERH) Engine .....	Fig. 014-410
Fuel Injection System 2.5L (ENC) Diesel Engine .....	Fig. 014-440
Fuel Injection Pump 2.5L (ENC) Diesel Engine .....	Fig. 014-460
<b>Fuel Pump and Sending Unit</b>	
Fuel Pump and Sending Unit .....	Fig. 014-520
<b>Throttle Body</b>	
Throttle Body 2.5L (EPE), 4.0L (ERH) Engine .....	Fig. 014-610
Turbocharger 2.5L (ENC) Diesel Engine .....	Fig. 014-660
<b>Throttle Controls</b>	
Throttle Controls 2.5L (EPE), 4.0L (ERH) Engine .....	Fig. 014-720
<b>Air Cleaner</b>	
Air Cleaner 2.5L (EPE), 4.0L (ERH) Engine .....	Fig. 014-820
Air Cleaner 2.5L (ENC) Diesel Engine .....	Fig. 014-835
<b>Air Intake System</b>	
Air Intake System 2.5L (EPE) Engine .....	Fig. 014-910
<b>Speed Control</b>	
Speed Control 2.5L (EPE), 4.0L (ERH) Engine .....	Fig. 014-1010
<b>Accelerator Pedal</b>	
Accelerator Pedal 2.5L (EPE), 2.5L (ENC) Diesel, 4.0L (ERH) Engine .....	Fig. 014-1110

Fuel Tank 2.5L (EPE), 2.5L (ENC) Diesel, 4.0L (ERH) Engine  
Figure 014-120



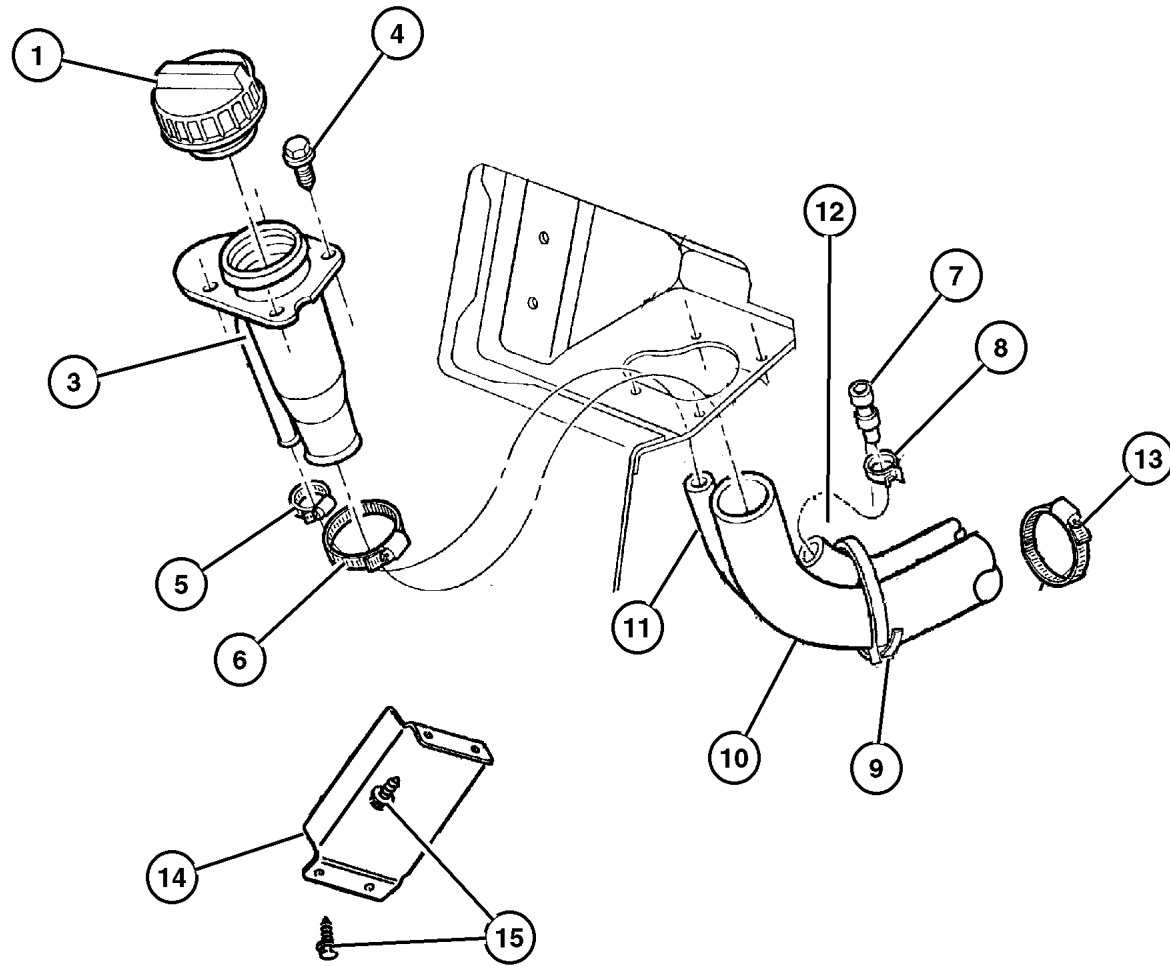
ITEM	PART NUMBER	QTY	LINE	SERIES	BODY	ENGINE	TRANS	DESCRIPTION
NOTE: EP0=All 2.5L Gas Engines, EN0=All 2.5L Diesel Engines, ER0=All 4.0L Engines nsmission								
1	#52100 179AD	1				EP0, ER0 EN0		TANK, Fuel
2	52100 009AB	2						STRAP, Fuel Tank
3	52100 362AA	2						J BOLT, Fuel Tank Support
4	6034 955	2						NUT, Hex Flange Lock, .375-16
5	52100 338AA	1						SHIELD, Fuel Tank
6	6100 055	2						NUT AND WASHER, Hex Nut-Coned Washer, M12 x 1.75
7	6101 777	4						SCREW, Hex Flange Head Tapping, M6x1.00x20.00
8	52100 328AA	1						PLATE, Skid
9	3420 1964	2						BOLT, Hex Flange Head, M12x1.75x40
10	5200 1174	1						REINFORCEMENT, Sill Right
	5200 1175	1						Left
11	6505 137AA	2						STUD, M12x1.75x72.00
-12	#5278 632AA	1						CAP, Fuel Filler

JEEP CHEROKEE (XJ)				
SERIES	LINE	BODY	ENGINE	TRANSMISSION
P=Classic	J=LHD (4WD)	74=4 Dr.(101.4WB)	ENC,EN0=2.5L 4 cyl. Turbo Die	DDD, DDQ=5 spd. Man.
S=Limited	U=RHD (4WD)	72=2 Dr.(101.4WB)	ERH,ER0=4.0L Power Tech I-6	DGS=4 spd. Auto. AISIN
H=Sport	T=LHD (2WD)		EPE,EP0=Magnum 2.5L SMPI	DG0=All Auto/Trans.
L=SE	B=RHD (2WD)			DBB=All Manual Trans.

AR = Use as required - = Non illustrated part # = New this model year

April 5, 2002

**Fuel Tank Filler Tube 2.5L (EPE), 2.5L (ENC) Diesel, 4.0L (ERH) Engine  
Figure 014-220**



ITEM	PART NUMBER	QTY	LINE	SERIES	BODY	ENGINE	TRANS	DESCRIPTION
NOTE: EP0=All 2.5L Gas Engines, EN0=All 2.5L Diesel Engines, ER0=All 4.0L Gas Engines nsmision								
1	#5278 632AA	1						CAP, Fuel Filler, Non - Locking Quick On
-2	#5015 636AB	1						CAP KIT, Fuel Tank Locking, Locking Quick On
3								TUBE, Fuel Filler
	52100 174AB	1						Leaded Fuel and Diesel
	#52100 173AC	1				EP0, ER0		
4	0154 236	4						SCREW, Stake, .19-24
5	J320 3077	1						CLAMP, Hose
6								CLAMP, (NOT SERVICED)
7	J535 2955	1	J, U					VENT, Axle
8								CLAMP, Oil Cooler Line
	6502 081	1				EN0 EP0, ER0		
9	4641 780	1				EP0, ER0		STRAP, Tie
10								HOSE, Fuel Filler
	52100 131AC	1				EP0, ER0		
		1				EN0		
11								HOSE, Fuel Filler Vent
	5210 0132	1				EP0, ER0		
		1				EN0		
12	5201 8866	1				EN0		TUBE, Vent
13								CLAMP, HOSE CLAMP, (NOT SERVICED)
14	55003 285AB	1						SHIELD, Heat
15	3420 1895	2						SCREW, Hex Head Tapping, M6.3x1.81x16.00

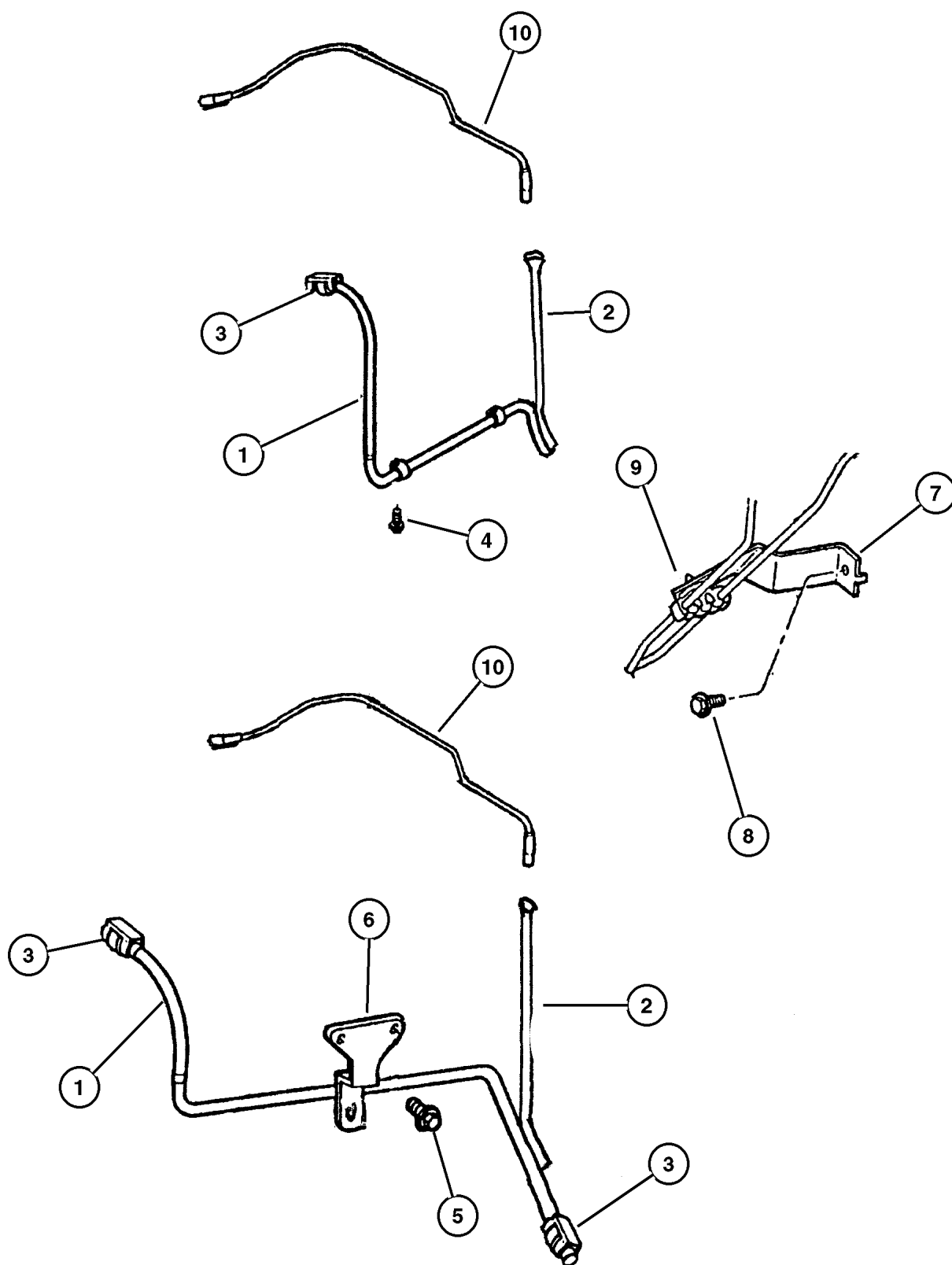
**JEEP CHEROKEE (XJ)**

SERIES	LINE	BODY	ENGINE	TRANSMISSION
P=Classic	J=LHD (4WD)	74=4 Dr.(101.4WB)	ENC,EN0=2.5L 4 cyl. Turbo Die	DDD, DDQ=5 spd. Man.
S=Limited	U=RHD (4WD)	72=2 Dr.(101.4WB)	ERH,ER0=4.0L Power Tech I-6	DGS=4 spd. Auto. AISIN
H=Sport	T=LHD (2WD)		EPE,EP0=Magnum 2.5L SMPI	DG0=All Auto/Trans.
L=SE	B=RHD (2WD)			DBB=All Manual Trans.

AR = Use as required - = Non illustrated part # = New this model year

April 5, 2002

Fuel Lines, Front 2.5L (EPE), 4.0L (ERH) Engine  
Figure 014-310



ITEM	PART NUMBER	QTY	LINE	SERIES	BODY	ENGINE	TRANS	DESCRIPTION
NOTE: EP0=All 2.5L Gas Engines, ER0=All 4.0L Engines nsmission								
1	52100 135AE	1				EP0		BUNDLE, Fuel Line
	52100 349AB	1				ER0		
2	52100 162AE	1				EP0,		TUBE, Fuel Vapor
						ER0		
3	5212 7788	1				EP0		CLIP, Fuel Line
		2				ER0		
4	6101 786	2				EP0		SCREW, Self Tapping, M6x1x15
5	6505 600AA	1				ER0		STUD
6	6505 648AA	1				ER0		CLIP, Fuel Line
7	52100 314AA	1						BRACKET, Fuel Line
8	3420 1895	2						SCREW, Hex Head Tapping, M6.3x1.81x16.00
9	52100 286AC	7						CLIP, 5 Way
10	52100 126AB	1	B, U			EP0,		TUBE, Fuel Vapor
						ER0		

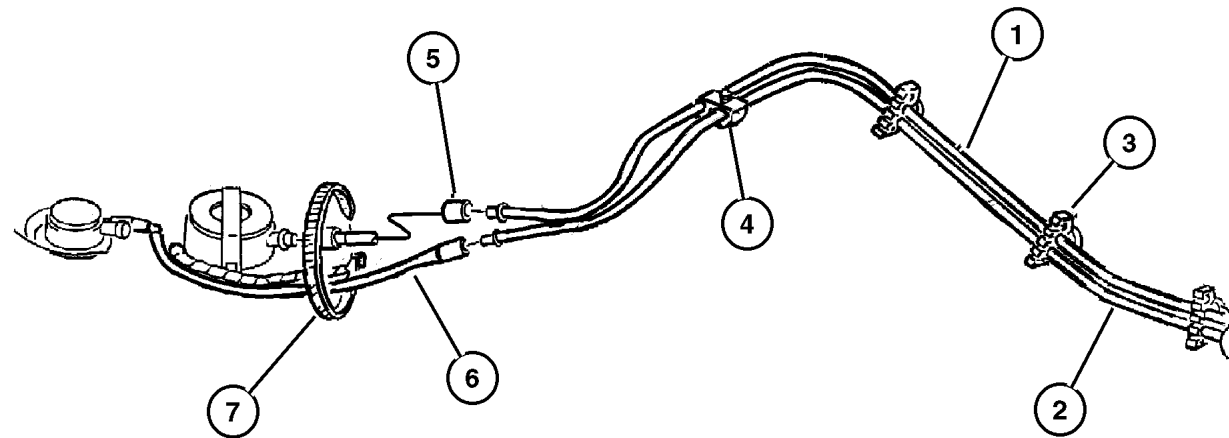
JEEP CHEROKEE (XJ)				
SERIES	LINE	BODY	ENGINE	TRANSMISSION
P=Classic	J=LHD (4WD)	74=4 Dr.(101.4WB)	ENC,EN0=2.5L 4 cyl. Turbo Die	DDD, DDQ=5 spd. Man.
S=Limited	U=RHD (4WD)	72=2 Dr.(101.4WB)	ERH,ER0=4.0L Power Tech I-6	DGS=4 spd. Auto. AISIN
H=Sport	T=LHD (2WD)		EPE,EP0=Magnum 2.5L SMPI	DG0=All Auto/Trans.
L=SE	B=RHD (2WD)			DBB=All Manual Trans.

AR = Use as required - = Non illustrated part # = New this model year

April 5, 2002

**Fuel Lines, Rear 2.5L (EPE), 4.0L (ERH) Engine  
Figure 014-320**

ITEM	PART NUMBER	QTY	LINE	SERIES	BODY	ENGINE	TRANS	DESCRIPTION
NOTE: EP0=All 2.5L Gas Engines, ER0=All 4.0L Engines nsmission								
1	5212 7896	1						TUBE, Fuel Supply
2	52100 162AE	1				EP0, ER0		TUBE, Fuel Vapor
3	52100 286AC	7						CLIP, 5 Way
4	4612 871AB	1						CLIP, Fuel Bundle
5	52100 037AB	1				EP0, ER0		TUBE, Fuel Supply
6	52100 035AB	1				EP0, ER0		TUBE, Fuel Vapor
7	4641 780	1				EP0, ER0		STRAP, Tie

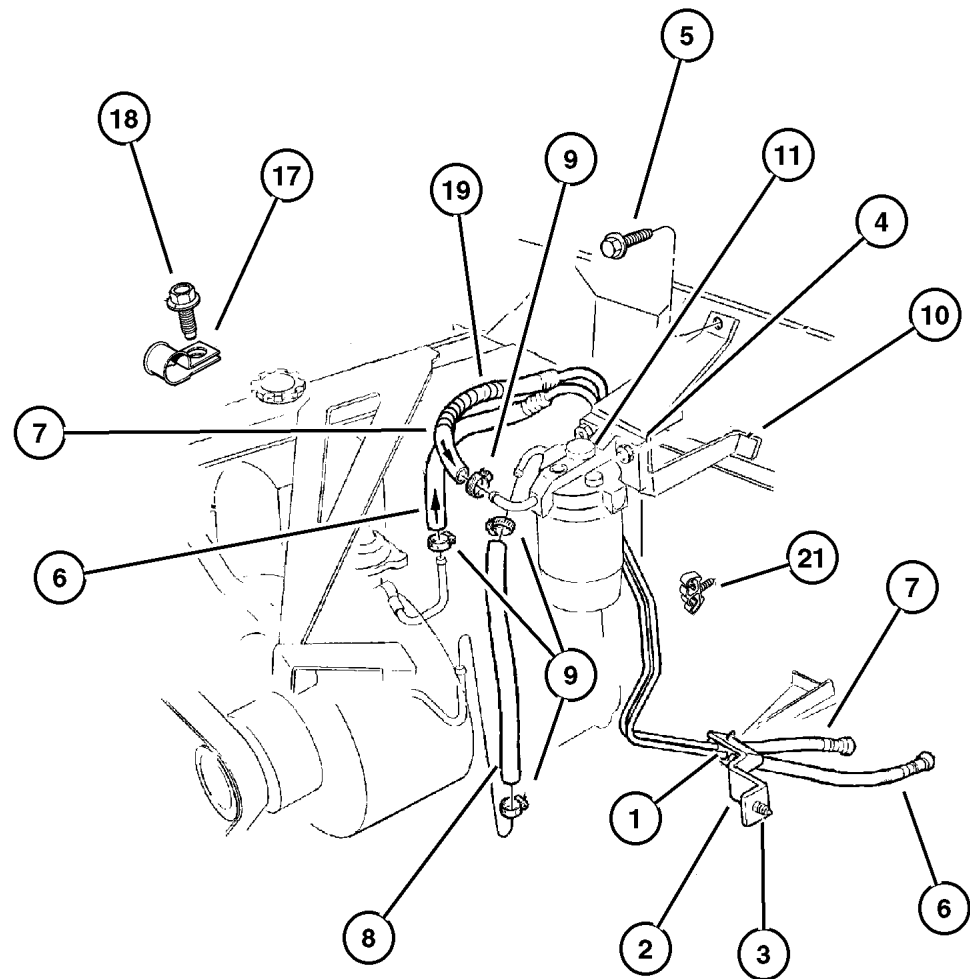


JEEP CHEROKEE (XJ)				
SERIES	LINE	BODY	ENGINE	TRANSMISSION
P=Classic	J=LHD (4WD)	74=4 Dr.(101.4WB)	ENC,EN0=2.5L 4 cyl. Turbo Die	DDD, DDQ=5 spd. Man.
S=Limited	U=RHD (4WD)	72=2 Dr.(101.4WB)	ERH,ER0=4.0L Power Tech I-6	DGS=4 spd. Auto. AISIN
H=Sport	T=LHD (2WD)		EPE,EP0=Magnum 2.5L SMPI	DG0=All Auto/Trans.
L=SE	B=RHD (2WD)			DBB=All Manual Trans.

AR = Use as required - = Non illustrated part # = New this model year

April 5, 2002

## Fuel Lines, Front 2.5L (ENC) Diesel Engine Figure 014-325



ITEM	PART NUMBER	QTY	LINE	SERIES	BODY	ENGINE	TRANS	DESCRIPTION
NOTE: EN0=All 2.5L Diesel Engines nsmission								
1	52100 286AC	7						CLIP, 5 Way
2	52100 314AA	1						BRACKET, Fuel Line
3	3420 1381	4						SCREW, Hex Flange Head Tapping, M6x1.00x20.00
4	6101 675	2				EN0		NUT, Hex Flange Lock, M8x1.25
5								SCREW AND WASHER, .190-16x.500, (NOT SERVICED)
6	5210 0079	1				EN0		TUBE, Fuel Return
7	5210 0107	1				EN0		TUBE, Fuel Supply
8	4443 176	1						HOSE, Fuel, .31 I.D. 50 Foot Roll
9	6502 081	2	J, T			EN0		CLAMP, Oil Cooler Line
10	5303 0927	1	J, T			EN0		BRACKET, Fuel Filter
11								FILTER, Fuel, Consists of: #12,13,14,15, 16, (NOT SERVICED)
-12	4723 899	1				EN0		HEAD, Fuel Filter
-13	4723 901	1				EN0		VALVE KIT, Fuel Filter Check
-14	4723 905	1				EN0		FILTER, Fuel
-15	4723 906	1				EN0		BOWL, Fuel Filter
-16	4723 907	1				EN0		DRAIN, Fuel Filter Bowl
17	3420 2997	1				EN0		CLIP, Wrap Around Sealing
18	6101 777	1				EN0		SCREW, Hex Flange Head Tapping, M6x1.00x20.00
19	4592 145	1				EN0		SLEEVE, Braided
-20	4546 594	1				EN0		SLEEVE, Braided Expandable
21	5210 0077	1				EN0		CLIP, Tube, 2 Way

### JEEP CHEROKEE (XJ)

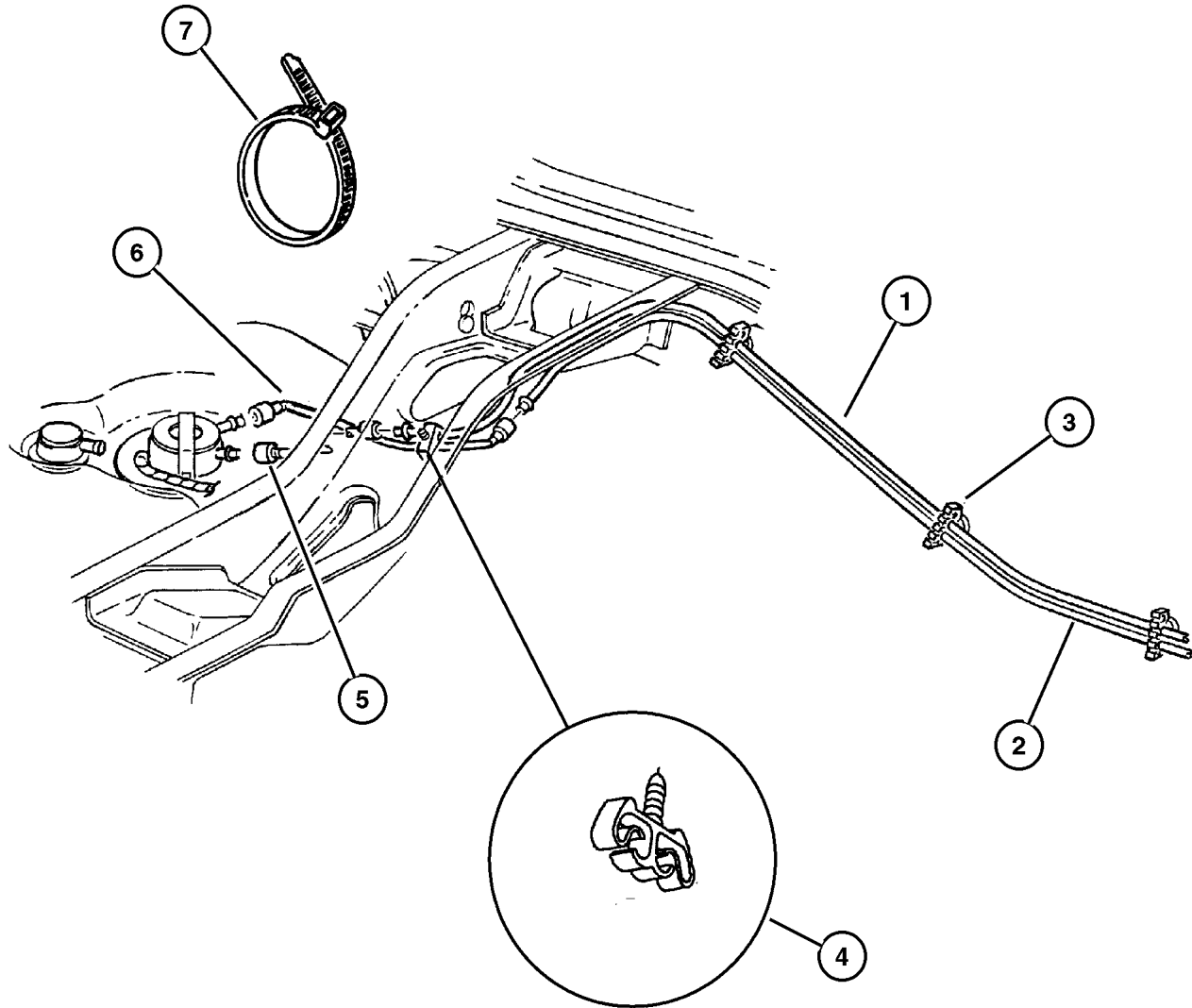
SERIES	LINE	BODY	ENGINE	TRANSMISSION
P=Classic	J=LHD (4WD)	74=4 Dr.(101.4WB)	ENC,EN0=2.5L 4 cyl. Turbo Die	DDD, DDQ=5 spd. Man.
S=Limited	U=RHD (4WD)	72=2 Dr.(101.4WB)	ERH,ER0=4.0L Power Tech I-6	DGS=4 spd. Auto. AISIN
H=Sport	T=LHD (2WD)		EPE,EP0=Magnum 2.5L SMPI	DG0=All Auto/Trans.
L=SE	B=RHD (2WD)			DBB=All Manual Trans.

AR = Use as required - = Non illustrated part # = New this model year

April 5, 2002

Fuel Lines, Rear 2.5L (ENC) Diesel Engine  
Figure 014-335

ITEM	PART NUMBER	QTY	LINE	SERIES	BODY	ENGINE	TRANS	DESCRIPTION
NOTE: ENO= All 2.5L Diesel Engines nsmission								
1	5212 7896	1						TUBE, Fuel Supply
2	5212 7898	1				ENO		TUBE, Fuel Return
3	52100 286AC	7						CLIP, 5 Way
4	4612 871AB	1						CLIP, Fuel Bundle
5	52100 037AB	1				ENO		TUBE, Fuel Supply
6	5210 0038	1				ENO		TUBE, Fuel Return
7	4641 780	1						STRAP, Tie

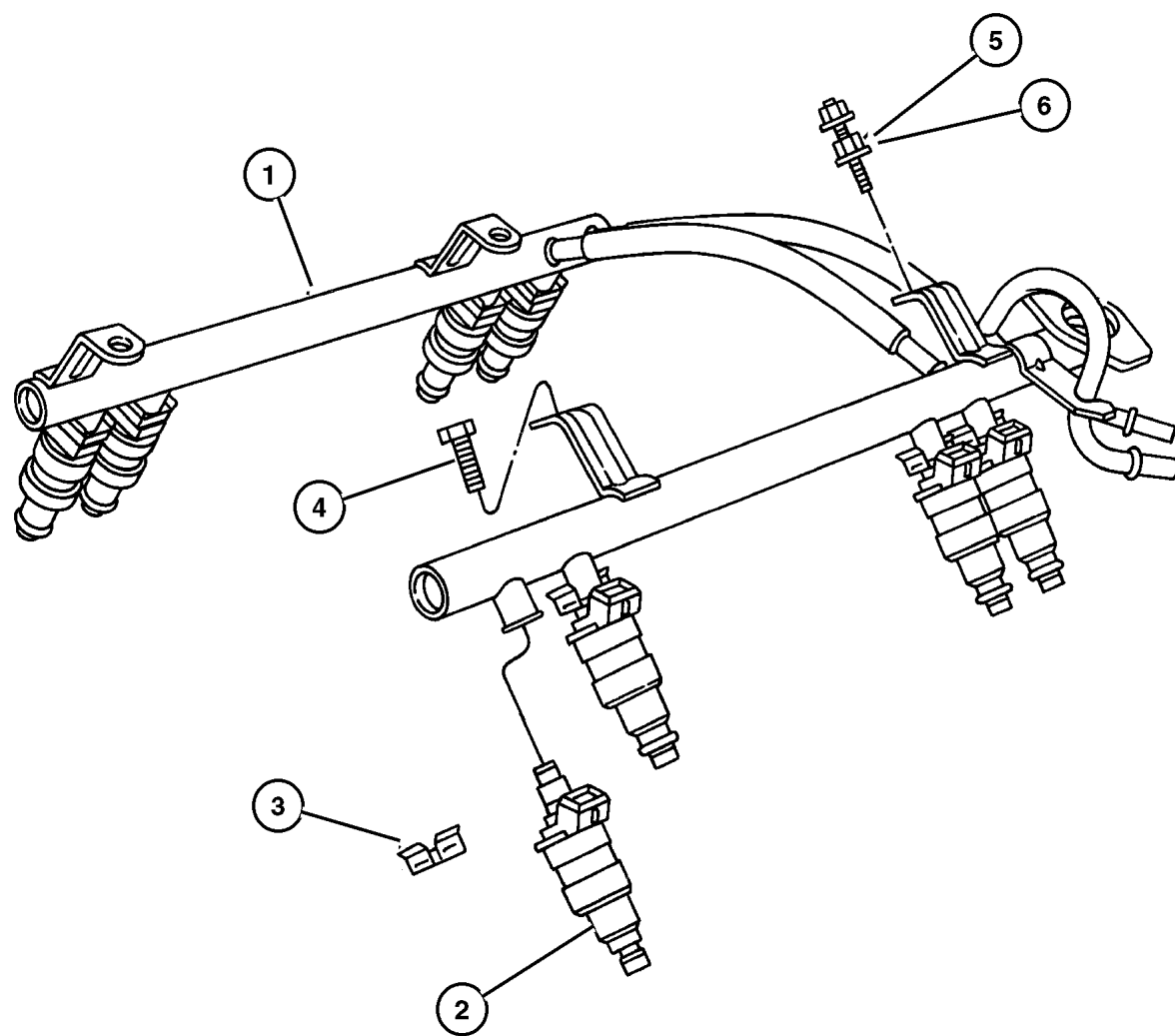


JEEP CHEROKEE (XJ)				
SERIES	LINE	BODY	ENGINE	TRANSMISSION
P=Classic	J=LHD (4WD)	74=4 Dr.(101.4WB)	ENC,ENO=2.5L 4 cyl. Turbo Die	DDD, DDQ=5 spd. Man.
S=Limited	U=RHD (4WD)	72=2 Dr.(101.4WB)	ERH,ER0=4.0L Power Tech I-6	DGS=4 spd. Auto. AISIN
H=Sport	T=LHD (2WD)		EPE,EP0=Magnum 2.5L SMPI	DG0=All Auto/Trans.
L=SE	B=RHD (2WD)			DBB=All Manual Trans.

AR = Use as required - = Non illustrated part # = New this model year

April 5, 2002

**Fuel Injection System 2.5L (EPE), 4.0L (ERH) Engine  
Figure 014-410**



ITEM	PART NUMBER	QTY	LINE	SERIES	BODY	ENGINE	TRANS	DESCRIPTION
NOTE: EP0=All 2.5L Gas Engines, ER0=All 4.0L Engines nsmission								
1	5013 157AA	1				EP0		RAIL, Fuel
	5014 496AA	1				ER0		
2	5303 0778	4				EP0		INJECTOR, Fuel
	4854 181	6				ER0		
3	4418 257	4				EP0		CLIP, Fuel Injector
		6				ER0		
4	6501 979	2				EP0		SCREW AND WASHER, Hex Head, M6x1x17
		3				ER0		
5	6502 086	2				EP0		STUD
6	6502 647	2				ER0		STUD, M6x1.00x44
-7	5018 781AA	1				EP0		CAP
		1				ER0		Diagnostic Port
-8	4897 125AA	4				EP0		O RING KIT, Fuel Injector

**JEEP CHEROKEE (XJ)**

SERIES	LINE	BODY	ENGINE	TRANSMISSION
P=Classic	J=LHD (4WD)	74=4 Dr.(101.4WB)	ENC,EN0=2.5L 4 cyl. Turbo Die	DDD, DDQ=5 spd. Man.
S=Limited	U=RHD (4WD)	72=2 Dr.(101.4WB)	ERH,ER0=4.0L Power Tech I-6	DGS=4 spd. Auto. AISIN
H=Sport	T=LHD (2WD)		EPE,EP0=Magnum 2.5L SMPI	DG0=All Auto/Trans.
L=SE	B=RHD (2WD)			DBB=All Manual Trans.

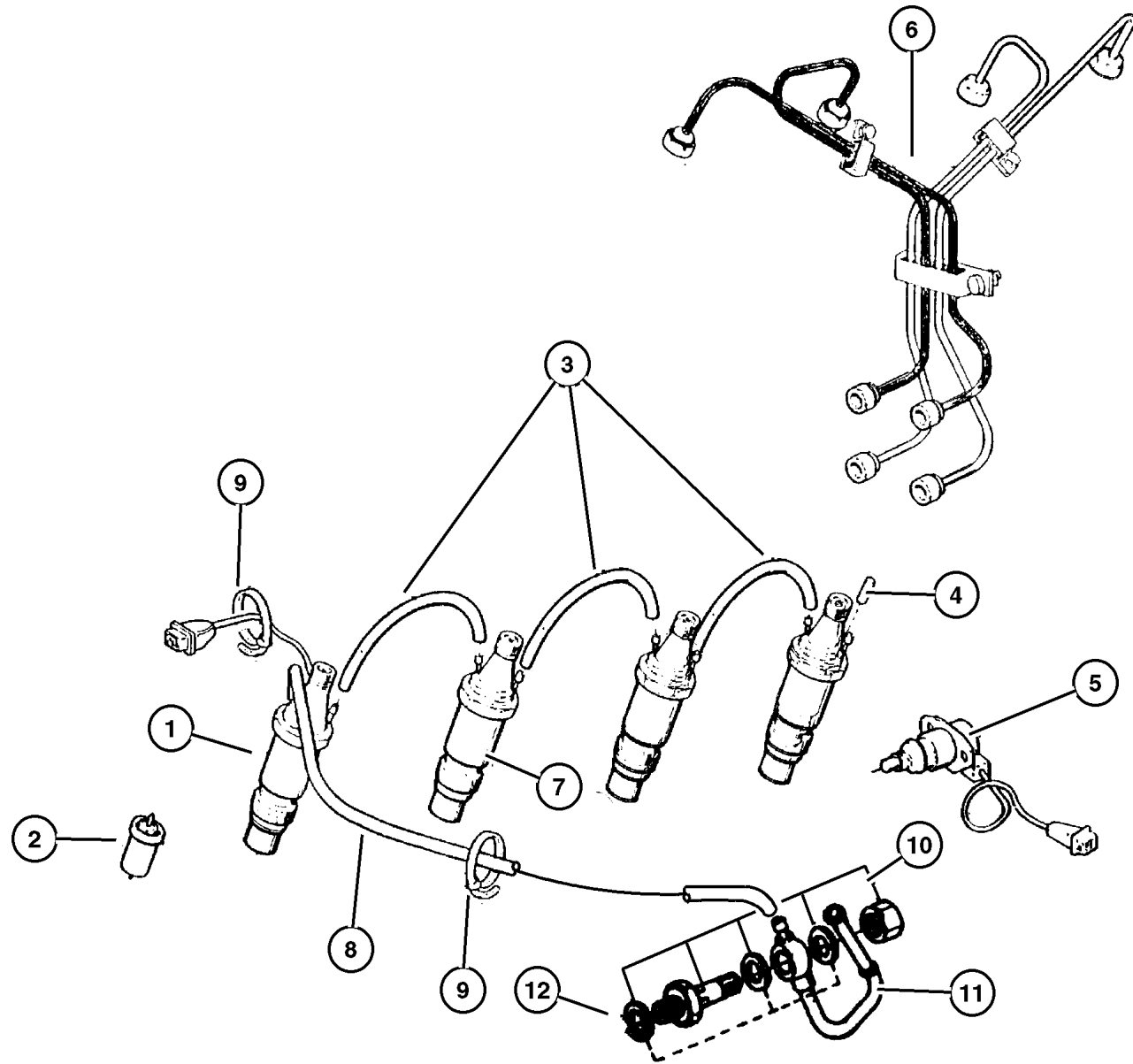
AR = Use as required - = Non illustrated part # = New this model year

April 5, 2002



**Fuel Injection System 2.5L (ENC) Diesel Engine  
Figure 014-440**

ITEM	PART NUMBER	QTY	LINE	SERIES	BODY	ENGINE	TRANS	DESCRIPTION
NOTE: EN0=All 2.5L Diesel Engines nsmission								
1	4886 231AA	1				EN0		INJECTOR, Fuel
2	4723 346	4				EN0		NOZZLE, Fuel Injector
3	4720 189AB	3				EN0		PIPE, Fuel Spill Return
4	#4720 197AB	1				EN0		PLUG, Cylinder Block Oil Hole
5	4797 786	1				EN0		ADVANCE, Automatic Injection
6	5003 530AA	1				EN0		TUBE, Fuel Injector Supply
7	4720 171	3				EN0		INJECTOR, Fuel
8	4720 190AB	1				EN0		PIPE, Fuel Spill Return
9	4728 184	3				EN0		CLIP, Spill Return Pipe
10	4874 444	1				EN0		VALVE, Flow Control
11	4864 579	1				EN0		BANJO, Fuel
12	4720 703	2				EN0		WASHER, Plain



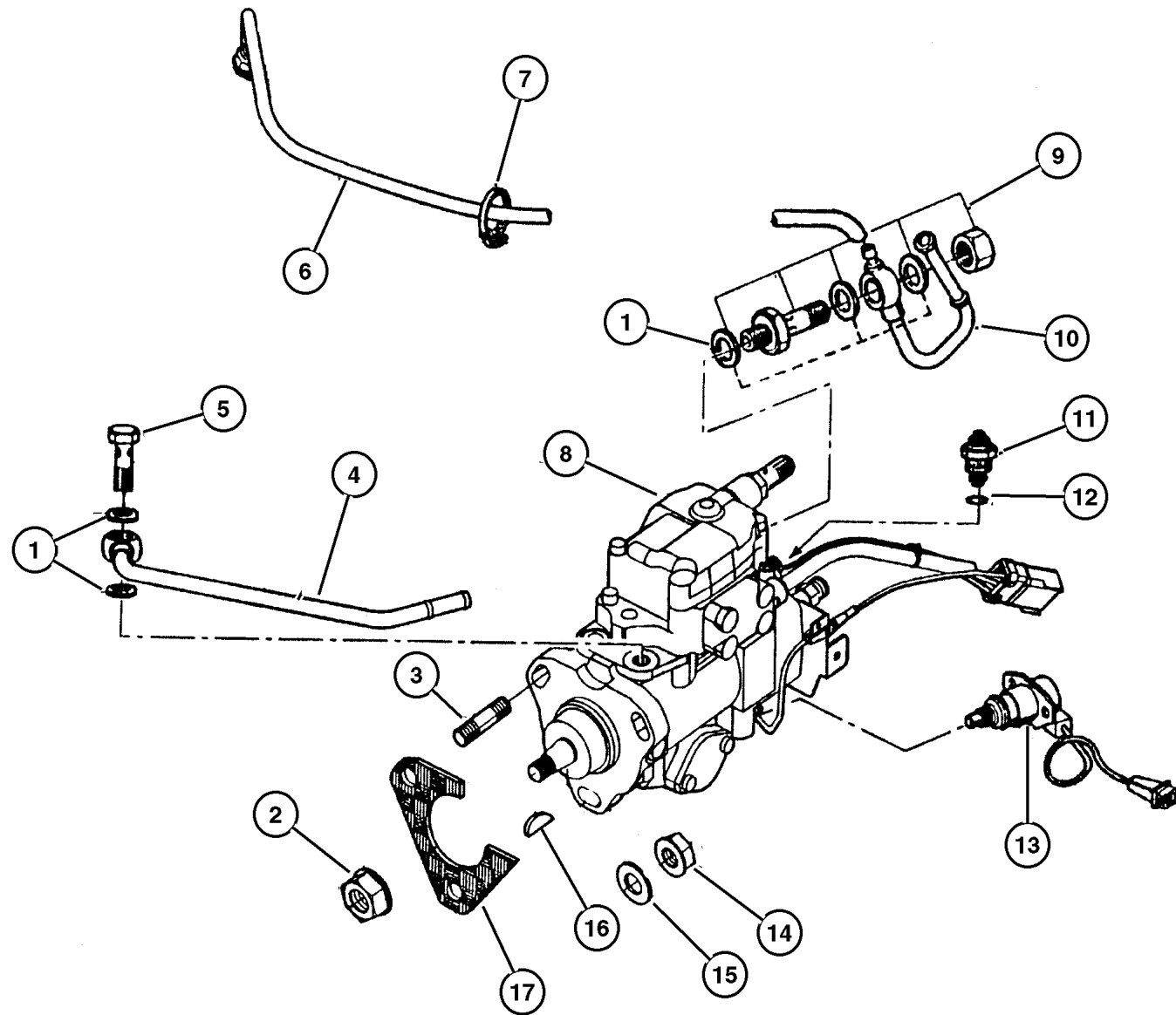
**JEEP CHEROKEE (XJ)**

SERIES	LINE	BODY	ENGINE	TRANSMISSION
P=Classic	J=LHD (4WD)	74=4 Dr.(101.4WB)	ENC,EN0=2.5L 4 cyl. Turbo Die	DDD, DDQ=5 spd. Man.
S=Limited	U=RHD (4WD)	72=2 Dr.(101.4WB)	ERH,ER0=4.0L Power Tech I-6	DGS=4 spd. Auto. AISIN
H=Sport	T=LHD (2WD)		EPE,EP0=Magnum 2.5L SMPI	DG0=All Auto/Trans.
L=SE	B=RHD (2WD)			DBB=All Manual Trans.

AR = Use as required - = Non illustrated part # = New this model year

April 5, 2002

**Fuel Injection Pump 2.5L (ENC) Diesel Engine  
Figure 014-460**



ITEM	PART NUMBER	QTY	LINE	SERIES	BODY	ENGINE	TRANS	DESCRIPTION
NOTE: EN0=All 2.5L Diesel Engines nsmission								
1	4720 703	2				EN0		WASHER, Plain
2	4883 402AA	1				EN0		NUT
3	4723 241	8				EN0		STUD
4	4886 307AA	1				EN0		BANJO, Fuel
5	4720 367	1				EN0		BOLT, Banjo
6	4720 190AB	1				EN0		PIPE, Fuel Spill Return
7	4728 184	3				EN0		CLIP, Spill Return Pipe
8	4883 459AA	1				EN0		PUMP, Fuel Injection
9	4874 444	1				EN0		VALVE, Flow Control
10	4864 579	1				EN0		BANJO, Fuel
11	4723 264	1				EN0		SOLENOID, Fuel Shut Off Valve
12	4723 266	1				EN0		O RING, Fuel Solenoid
13	4797 786	1				EN0		ADVANCE, Automatic Injection
14	4778 961	3				EN0		NUT
15								WASHER, Flat
	4720 193	6				EN0		Up To 9-9-99
	#5016 574AA	3				EN0		After 9-9-99
16	4720 198	1				EN0		KEY, Fuel Injection Pump
17	4720 196	1				EN0		GASKET, Injection Pump

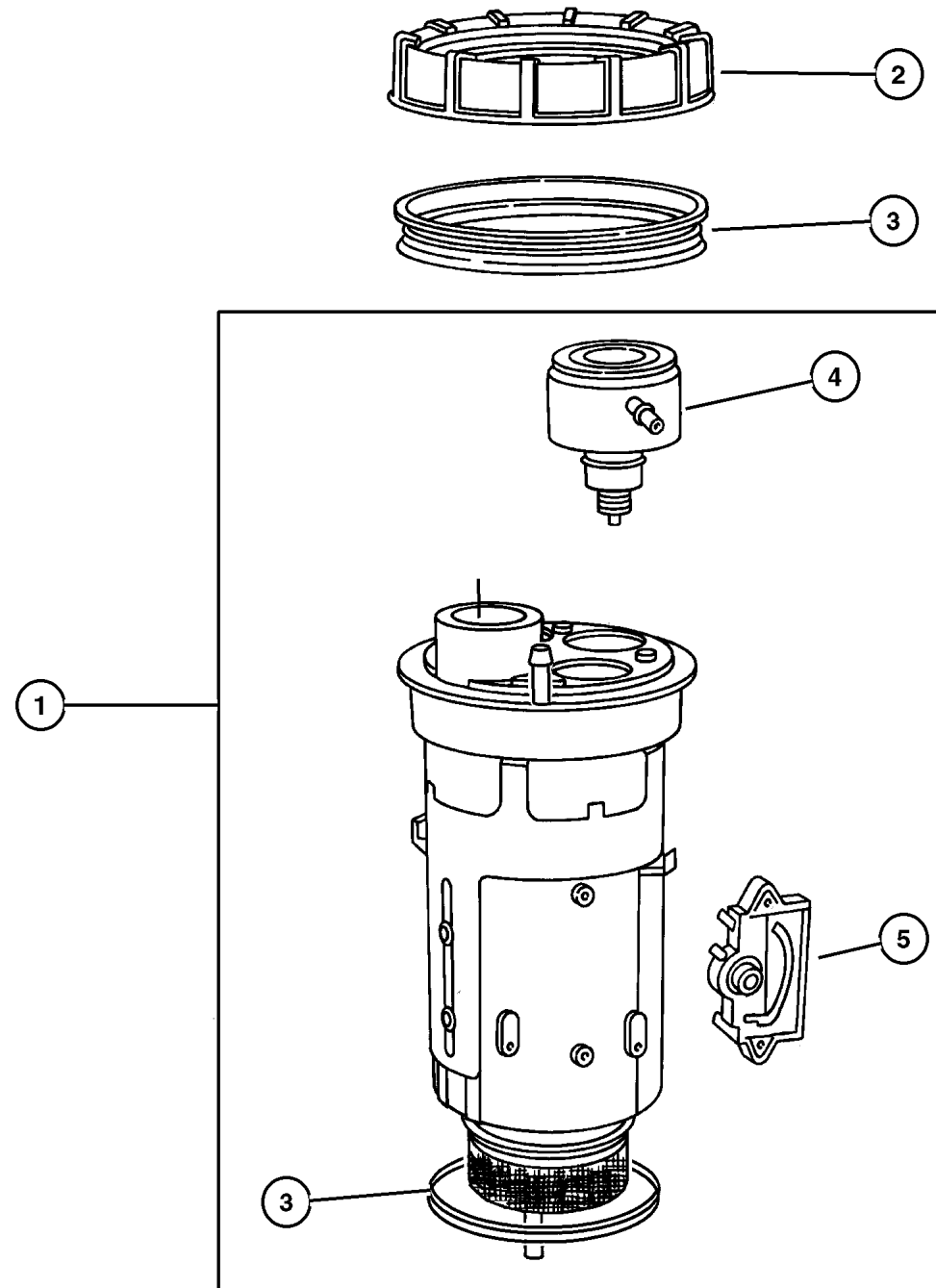
**JEEP CHEROKEE (XJ)**

SERIES	LINE	BODY	ENGINE	TRANSMISSION
P=Classic	J=LHD (4WD)	74=4 Dr.(101.4WB)	ENC,EN0=2.5L 4 cyl. Turbo Die	DDD, DDQ=5 spd. Man.
S=Limited	U=RHD (4WD)	72=2 Dr.(101.4WB)	ERH,ER0=4.0L Power Tech I-6	DGS=4 spd. Auto. AISIN
H=Sport	T=LHD (2WD)		EPE,EP0=Magnum 2.5L SMPI	DG0=All Auto/Trans.
L=SE	B=RHD (2WD)			DBB=All Manual Trans.

AR = Use as required - = Non illustrated part # = New this model year

April 5, 2002

## Fuel Pump and Sending Unit Figure 014-520



ITEM	PART NUMBER	QTY	LINE	SERIES	BODY	ENGINE	TRANS	DESCRIPTION
------	-------------	-----	------	--------	------	--------	-------	-------------

Note: ENO= All 2.5L Diesel Engines, EPO= All 2.5L Gas Engines nsmission  
 ERO= All 4.0L Gas Engines nsmission

1	5012 953AB	1				EPO, ERO		MODULE PACKAGE, Fuel Tank
2	5012 958AB	1				ENO		NUT, Fuel Pump Module
	5200 5389	1				EPO, ERO		
3		1				ENO		SEAL, Fuel Pump and Level Unit
	5201 8808	1				EPO, ERO		
4		1				ENO		FILTER, Fuel
	4723 905	1				ENO		
5	4798 301	1				EPO, ERO		BOARD PACKAGE, Fuel Level Circuit
	5013 473AA	1				EPO, ERO		
		1				ENO		

### JEEP CHEROKEE (XJ)

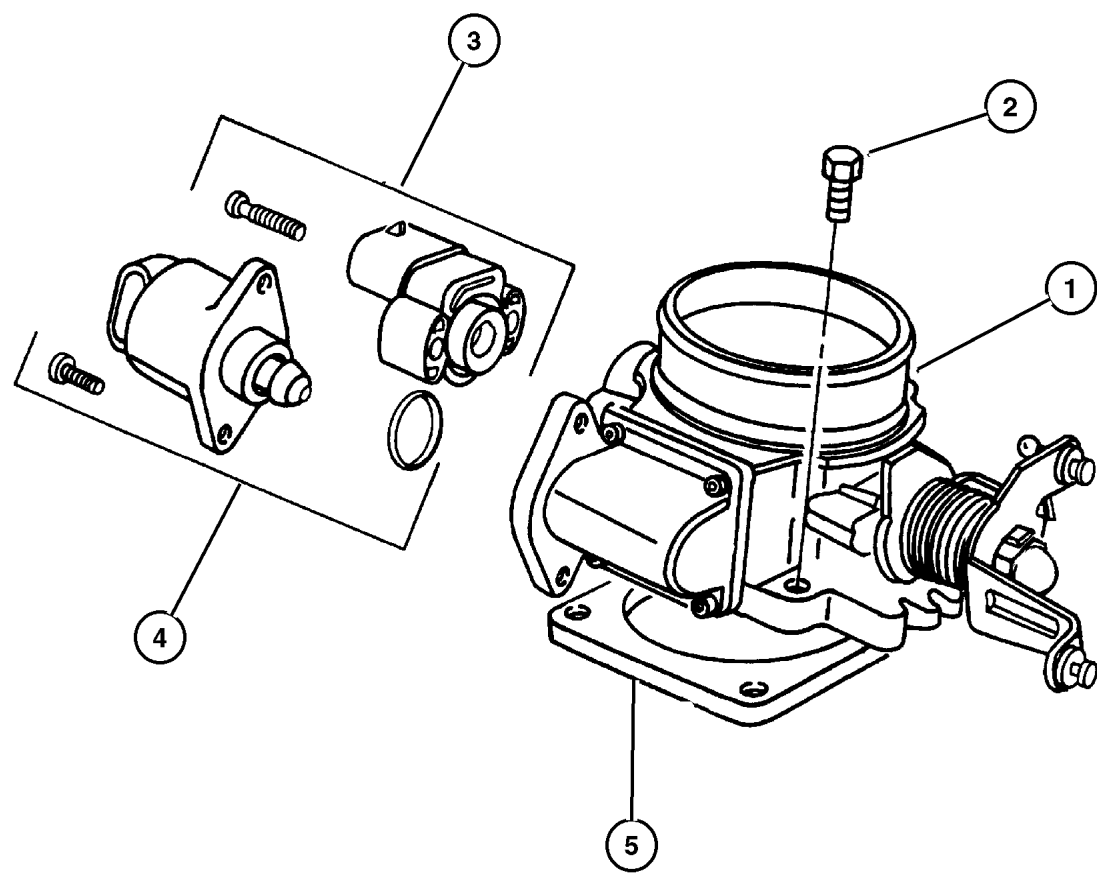
SERIES	LINE	BODY	ENGINE	TRANSMISSION
P=Classic	J=LHD (4WD)	74=4 Dr.(101.4WB)	ENC,EN0=2.5L 4 cyl. Turbo Die	DDD, DDQ=5 spd. Man.
S=Limited	U=RHD (4WD)	72=2 Dr.(101.4WB)	ERH,ER0=4.0L Power Tech I-6	DGS=4 spd. Auto. AISIN
H=Sport	T=LHD (2WD)		EPE,EPO=Magnum 2.5L SMPI	DG0=All Auto/Trans.
L=SE	B=RHD (2WD)			DBB=All Manual Trans.

AR = Use as required - = Non illustrated part # = New this model year

April 5, 2002

**Throttle Body 2.5L (EPE), 4.0L (ERH) Engine  
Figure 014-610**

ITEM	PART NUMBER	QTY	LINE	SERIES	BODY	ENGINE	TRANS	DESCRIPTION
NOTE: EP0=All 2.5L Gas Engines, ER0=All 4.0L Engines nsmission								
1								THROTTLE BODY
	53032 016AD	1				EP0		
	53032 023AC	1				ER0		
2	6503 929	4				EP0,		SCREW AND WASHER, Coned Pilot,
						ER0		M6x1x30
3								SENSOR, Throttle Position
	4874 371AC	1				ER0		
		1				EP0		
4								MOTOR, Air Idle Speed
	4874 373AB	1				ER0		
		1				EP0		
5	5300 7543	1				EP0,		GASKET, Throttle Body
						ER0		

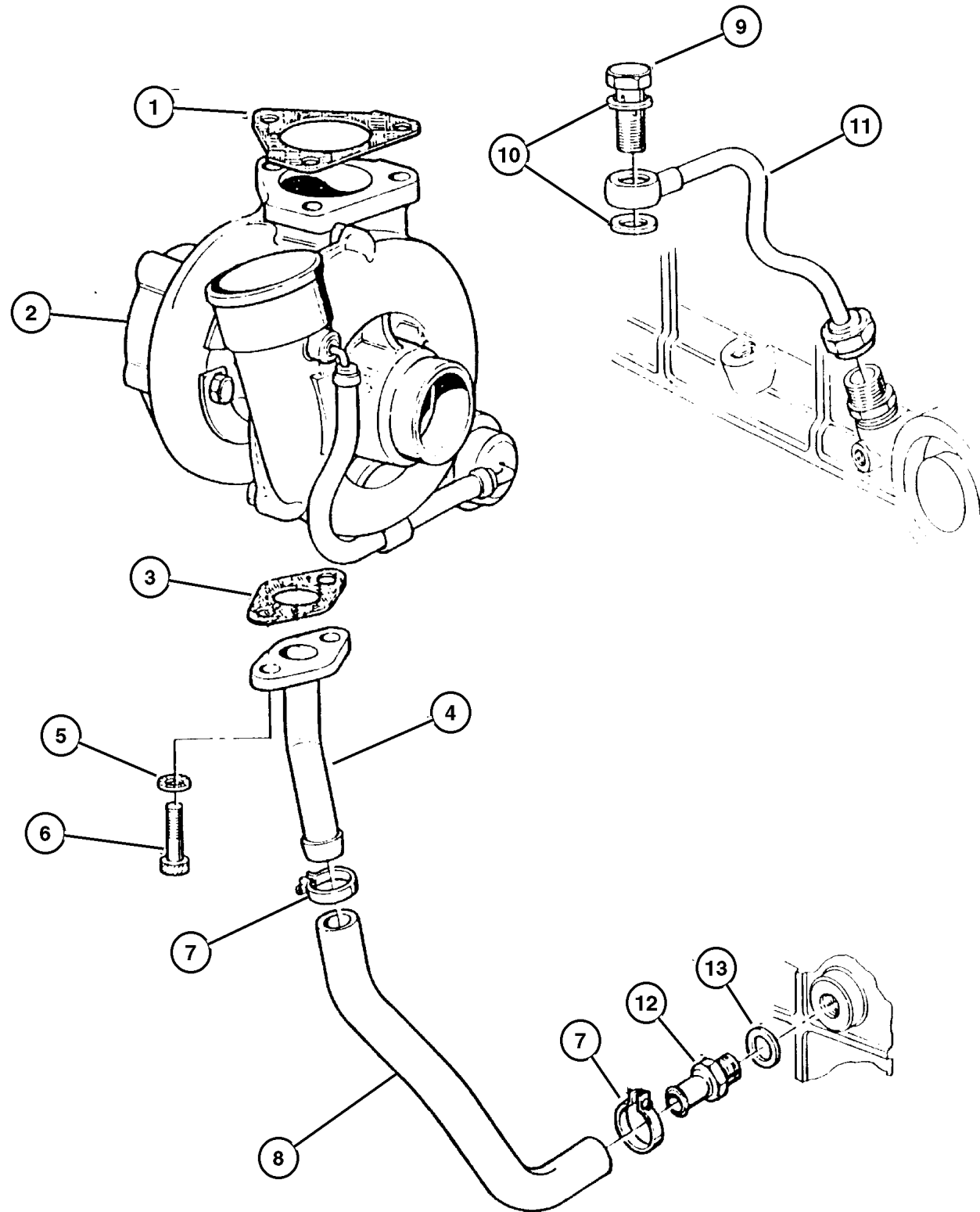


JEEP CHEROKEE (XJ)				
SERIES	LINE	BODY	ENGINE	TRANSMISSION
P=Classic	J=LHD (4WD)	74=4 Dr.(101.4WB)	ENC,EN0=2.5L 4 cyl. Turbo Die	DDD, DDQ=5 spd. Man.
S=Limited	U=RHD (4WD)	72=2 Dr.(101.4WB)	ERH,ER0=4.0L Power Tech I-6	DGS=4 spd. Auto. AISIN
H=Sport	T=LHD (2WD)		EPE,EP0=Magnum 2.5L SMPI	DG0=All Auto/Trans.
L=SE	B=RHD (2WD)			DBB=All Manual Trans.

AR = Use as required - = Non illustrated part # = New this model year

April 5, 2002

**Turbocharger 2.5L (ENC) Diesel Engine  
Figure 014-660**



ITEM	PART NUMBER	QTY	LINE	SERIES	BODY	ENGINE	TRANS	DESCRIPTION
NOTE: EN0=All 2.5L Diesel Engines nsmission								
1	4720 203AB	1				EN0		GASKET, Turbocharger To Manifold
2	4864 756	1				EN0		TURBOCHARGER
3	4796 007AB	1				EN0		GASKET, Turbo Oil Return Pipe
4	4796 008	1				EN0		PIPE, Oil Return
5	4720 305	2				EN0		WASHER, Plain
6	4728 186	2				EN0		BOLT, Oil Drain Pipe
7	4886 052AA	2				EN0		CLAMP, Heater Hose
8	4796 009	1				EN0		PIPE, Oil Return
9	4720 367	1				EN0		BOLT, Banjo
10	4720 703	2				EN0		WASHER, Plain
11	4796 400	1				EN0		PIPE, Oil Feed
12	4796 010	1				EN0		ADAPTER, Oil Delivery Tube
13	4797 784	1				EN0		WASHER, Plain, 16.2x19.9x1.5

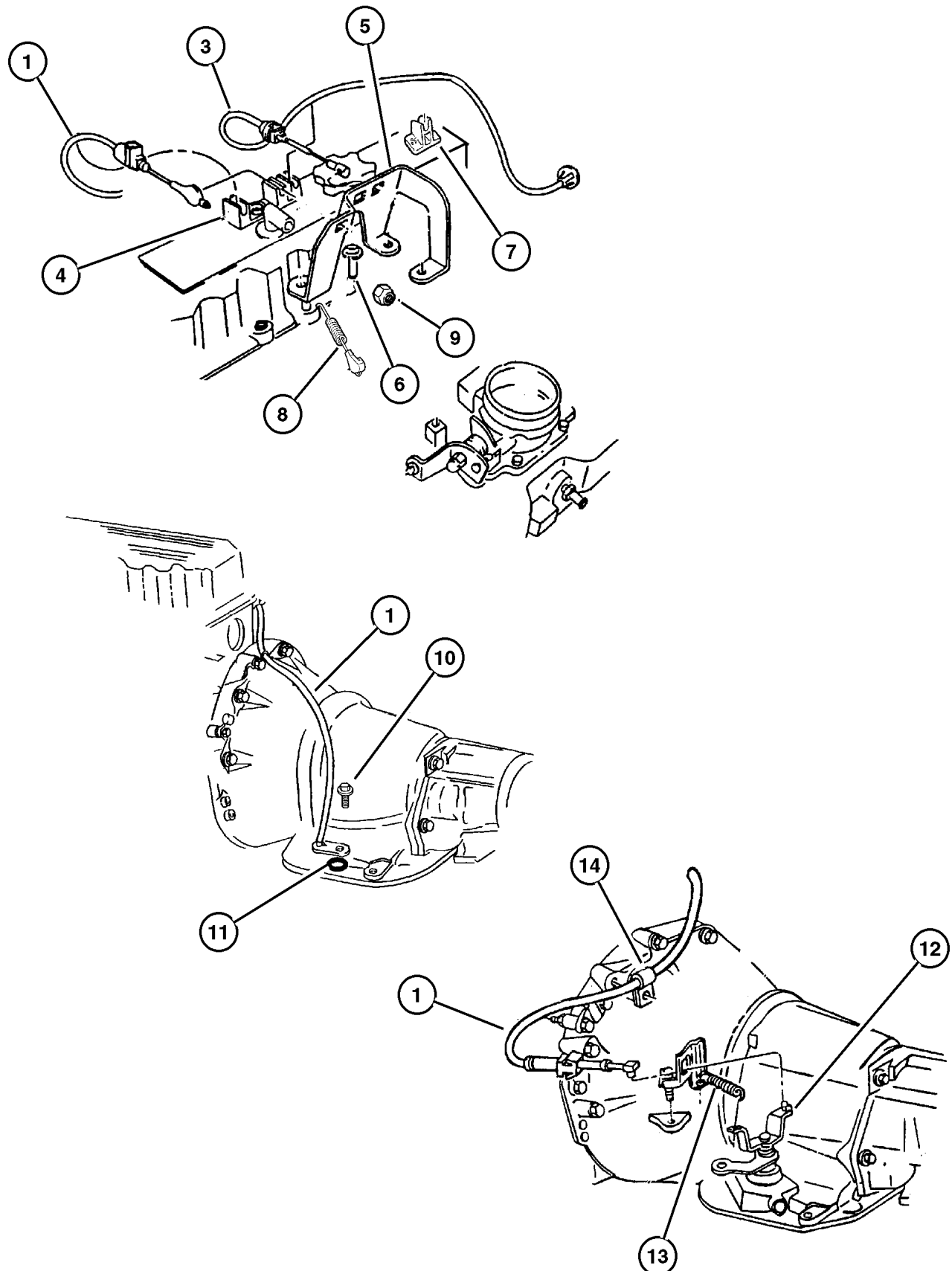
**JEEP CHEROKEE (XJ)**

SERIES	LINE	BODY	ENGINE	TRANSMISSION
P=Classic	J=LHD (4WD)	74=4 Dr.(101.4WB)	ENC,EN0=2.5L 4 cyl. Turbo Die	DDD, DDQ=5 spd. Man.
S=Limited	U=RHD (4WD)	72=2 Dr.(101.4WB)	ERH,ER0=4.0L Power Tech I-6	DGS=4 spd. Auto. AISIN
H=Sport	T=LHD (2WD)		EPE,EP0=Magnum 2.5L SMPI	DG0=All Auto/Trans.
L=SE	B=RHD (2WD)			DBB=All Manual Trans.

AR = Use as required - = Non illustrated part # = New this model year

April 5, 2002

## Throttle Controls 2.5L (EPE), 4.0L (ERH) Engine Figure 014-720

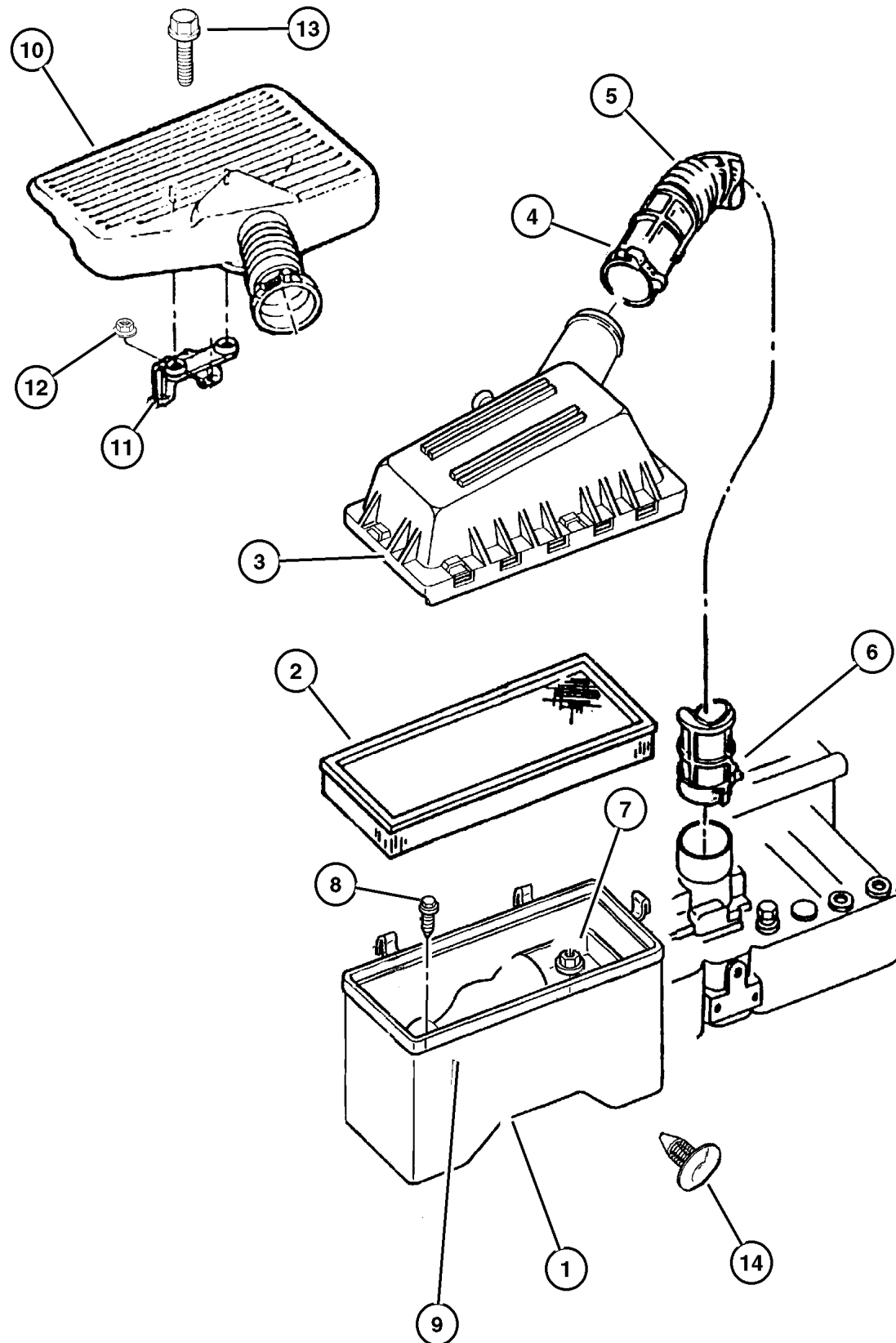


ITEM	PART NUMBER	QTY	LINE	SERIES	BODY	ENGINE	TRANS	DESCRIPTION
NOTE: EP0=All 2.5L Gas Engine ER0=All 4.0L Engines, nsmission								
DBB= Manual Transmission, DGO= All Automatic Transmissions, nsmission								
DGD= 3 Speed Automatic Transmissions, DGS= 4 SpeedAutomatic Transmissions nsmission								
1	52078 171AB	1	J, T			EP0	DGO	CABLE, Throttle Valve
-2								CABLE, Throttle Control
	5207 7578	1	B, T			ER0	DGS	
		1	J, U				DGS	
3								CABLE, Accelerator
	5207 9504	1	J, T			EP0,		
						ER0		
4	5207 9305	1	B, U			EP0		GUIDE, Accelerator Cable
	5207 9029	1				ER0		
	5300 7620	1				EP0		
5								BRACKET, Accelerator Cable
	5300 7485	1				EP0		
	53013 160AA	1				ER0		
6								SCREW AND WASHER, Hex Head, M6x1x17
	6501 979	2				EP0		
		3				ER0		
7	5207 8987	1	J, T			ER0		GUIDE, Accelerator Cable
8								SPRING, Throttle Return
	52078 102AB	1				EP0,	DBB	
						ER0		
	5300 7985	1	J, T			EP0	DGO	
9	6100 047	1				EP0		NUT AND WASHER, Hex Nut-Coned Washer, M6 x 1.00
10								SCREW AND CONED WASHER, Hex Head, M6x1.00x16.00
	3420 1808	AR	J, U				DGS	
		AR	B, T			ER0	DGS	
11								O RING, Throttle Cable
	8350 3708	1	B, T			ER0	DGS	
		1	J, U				DGS	
12	5300 7983	1	J, T			EP0	DGO	LEVER, Throttle Valve
13	5300 7985	1	J, T			EP0	DGO	SPRING, Throttle Return
14	5207 8465	1				EP0	DGD	CLIP, Cable

JEEP CHEROKEE (XJ)				
SERIES	LINE	BODY	ENGINE	TRANSMISSION
P=Classic	J=LHD (4WD)	74=4 Dr.(101.4WB)	ENC,EN0=2.5L 4 cyl. Turbo Die	DDD, DDQ=5 spd. Man.
S=Limited	U=RHD (4WD)	72=2 Dr.(101.4WB)	ERH,ER0=4.0L Power Tech I-6	DGS=4 spd. Auto. AISIN
H=Sport	T=LHD (2WD)		EPE,EP0=Magnum 2.5L SMPI	DGO=All Auto/Trans.
L=SE	B=RHD (2WD)			DBB=All Manual Trans.

AR = Use as required - = Non illustrated part # = New this model year

**Air Cleaner 2.5L (EPE), 4.0L (ERH) Engine  
Figure 014-820**



ITEM	PART NUMBER	QTY	LINE	SERIES	BODY	ENGINE	TRANS	DESCRIPTION
NOTE: EP0=All 2.5L Gas Engines, ER0=All 4.0L Engines nsmission								
1	4854 153AC	1				EP0, ER0		BODY, Air Cleaner
2	5300 4383	1				EP0, ER0		FILTER, Air
3	5303 0707	1				EP0, ER0		COVER, Air Cleaner
4	5300 6584	1				EP0		CLAMP, Hose to Air Cleaner
5	5300 6275	1				ER0		HOSE, Air Cleaner to T/Body
6	5300 6273	1				EP0		CLAMP, Air Cleaner Duct
7	6501 291	1				ER0 EP0, ER0		NUT AND WASHER, Hex Nut-Coned Washer, M8 x 1.25
8								SCREW, M8x1.25x30, (NOT SERVICED)
9	4854 154	1				EP0		INSERT, Air Cleaner Noise
10	5303 0982	1				EP0		RESONATOR, Air Cleaner
	5303 0797	1				ER0		
11	5303 0796	1				ER0		BRACKET, Resonator
12								NUT AND WASHER, Hex Nut-Coned Washer, .25-20
	6033 560	2				EP0		
		2				ER0		
13	6100 288	2				EP0		BOLT AND CONED WASHER, Hex Head, M6x30x20
14	6030 441	2						PIN, Retainer

**JEEP CHEROKEE (XJ)**

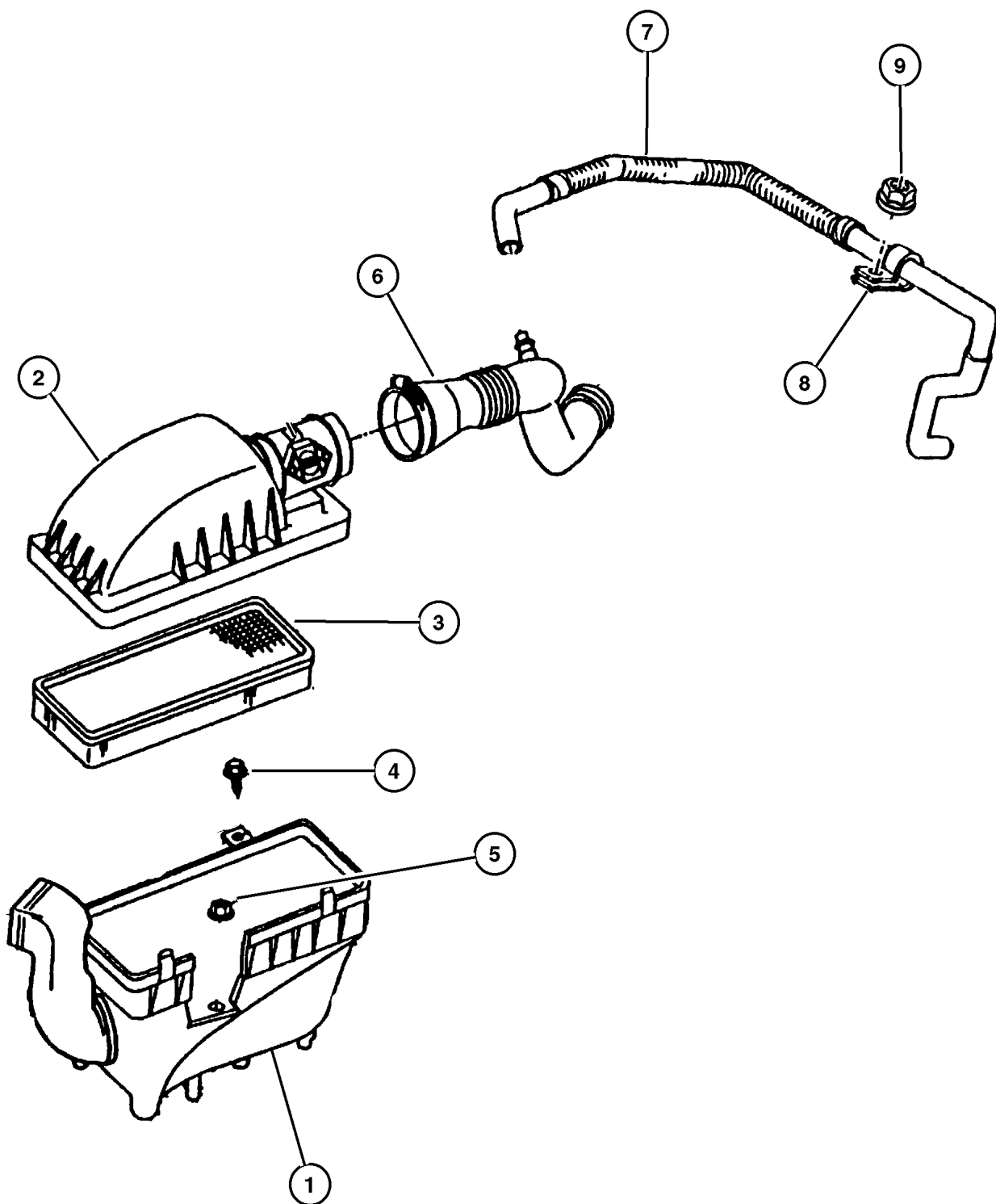
SERIES	LINE	BODY	ENGINE	TRANSMISSION
P=Classic	J=LHD (4WD)	74=4 Dr.(101.4WB)	ENC,EN0=2.5L 4 cyl. Turbo Die	DDD, DDQ=5 spd. Man.
S=Limited	U=RHD (4WD)	72=2 Dr.(101.4WB)	ERH,ER0=4.0L Power Tech I-6	DGS=4 spd. Auto. AISIN
H=Sport	T=LHD (2WD)		EPE,EP0=Magnum 2.5L SMPI	DG0=All Auto/Trans.
L=SE	B=RHD (2WD)			DBB=All Manual Trans.

AR = Use as required - = Non illustrated part # = New this model year

April 5, 2002

**Air Cleaner 2.5L (ENC) Diesel Engine**  
**Figure 014-835**

ITEM	PART NUMBER	QTY	LINE	SERIES	BODY	ENGINE	TRANS	DESCRIPTION
NOTE: ENO= All 2.5L Diesel Engines nsmission								
1	5303 1036	1				ENO		BODY, Air Cleaner
2	53013 242AA	1				ENO		COVER, Air Cleaner
3	5303 0730	1				ENO		ELEMENT, Air Cleaner
4	6035 668	1				ENO		SCREW AND WASHER, Hex Head Tapping, .25-14x1
5	6501 291	1				ENO		NUT AND WASHER, Hex Nut-Coned Washer, M8 x 1.25
6	5303 0696	1				ENO		HOSE, Air Induction
7	4854 047	1				ENO		TUBE, Oil Separator Drain
8	J400 7577	1				ENO		CLIP
9	3420 1358	1	J, T			ENO		NUT AND WASHER, Hex Nut-Sealing Washer, M6 x 1.00



**JEEP CHEROKEE (XJ)**

SERIES	LINE	BODY	ENGINE	TRANSMISSION
P=Classic	J=LHD (4WD)	74=4 Dr.(101.4WB)	ENC,ENO=2.5L 4 cyl. Turbo Die	DDD, DDQ=5 spd. Man.
S=Limited	U=RHD (4WD)	72=2 Dr.(101.4WB)	ERH,ER0=4.0L Power Tech I-6	DGS=4 spd. Auto. AISIN
H=Sport	T=LHD (2WD)		EPE,EP0=Magnum 2.5L SMPI	DG0=All Auto/Trans.
L=SE	B=RHD (2WD)			DBB=All Manual Trans.

AR = Use as required - = Non illustrated part # = New this model year

April 5, 2002

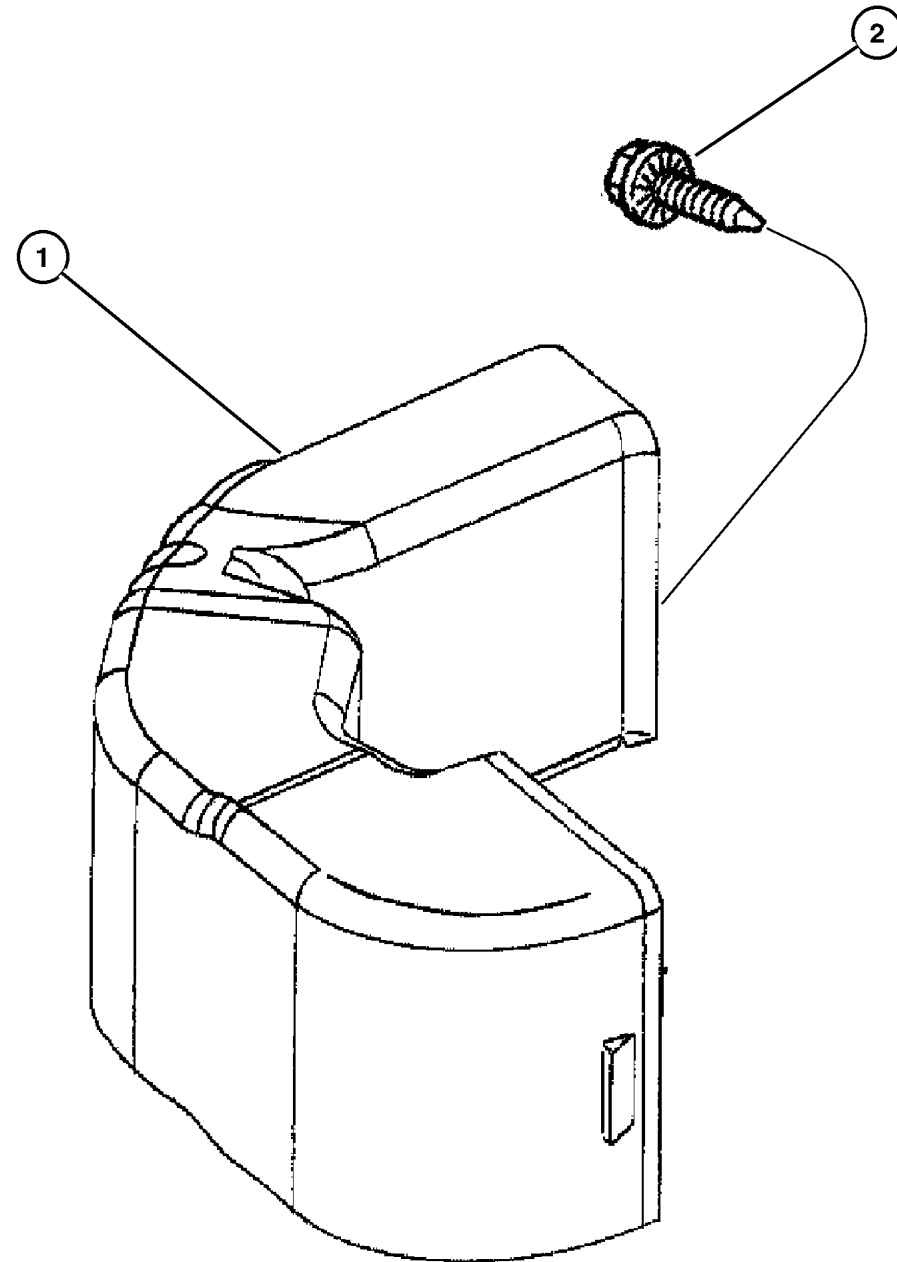


**Air Intake System 2.5L (EPE) Engine  
Figure 014-910**

ITEM	PART NUMBER	QTY	LINE	SERIES	BODY	ENGINE	TRANS	DESCRIPTION
------	-------------	-----	------	--------	------	--------	-------	-------------

NOTE: EPO= All 2.5L Gas Engines nsmission

1	5303 0983	1				EPO		ADAPTER, Ambient Air
2	6030 441	1				EPO		PIN, Retainer

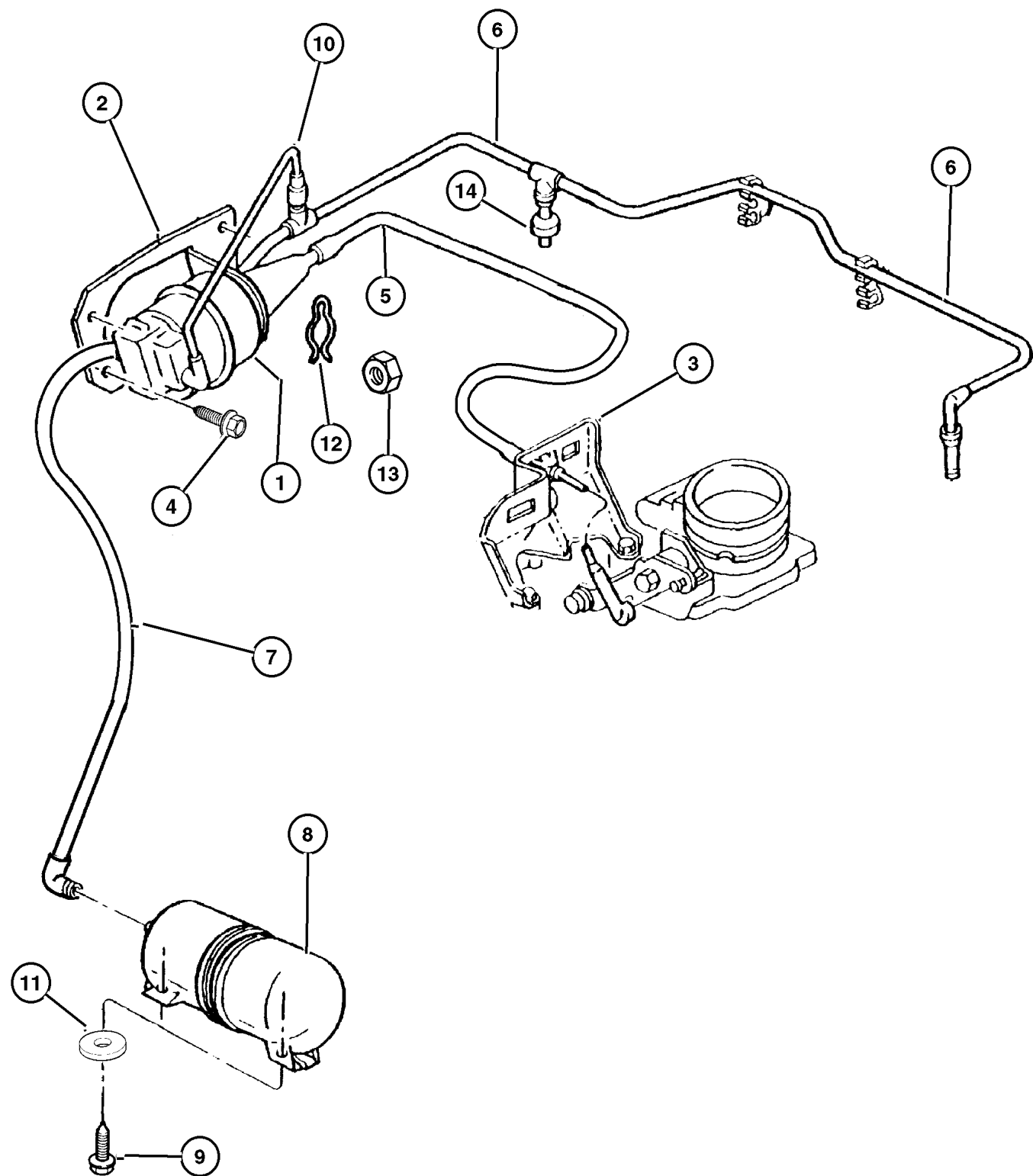


JEEP CHEROKEE (XJ)				
SERIES	LINE	BODY	ENGINE	TRANSMISSION
P=Classic	J=LHD (4WD)	74=4 Dr.(101.4WB)	ENC,EN0=2.5L 4 cyl. Turbo Die	DDD, DDQ=5 spd. Man.
S=Limited	U=RHD (4WD)	72=2 Dr.(101.4WB)	ERH,ER0=4.0L Power Tech I-6	DGS=4 spd. Auto. AISIN
H=Sport	T=LHD (2WD)		EPE,EP0=Magnum 2.5L SMPI	DG0=All Auto/Trans.
L=SE	B=RHD (2WD)			DBB=All Manual Trans.

AR = Use as required - = Non illustrated part # = New this model year

April 5, 2002

**Speed Control 2.5L (EPE), 4.0L (ERH) Engine  
Figure 014-1010**



ITEM	PART NUMBER	QTY	LINE	SERIES	BODY	ENGINE	TRANS	DESCRIPTION
NOTE: EP0=All 2.5L Gas Engines, EPE= 2.5L Gas Engine, ER0=All 4.0L Engines nsmission								
1	4669 979	1	J, T			EPE, ER0		SERVO, Speed Control
		1	B, U			EPE, ER0		
2	5300 7958	1	J, T			EPE, ER0		BRACKET, Speed Control Servo
3								BRACKET, Accelerator Cable
	5300 7485	1				EP0		
	53013 160AA	1				ER0		
4								SCREW
	6035 322	3	J, T			EPE, ER0		
		2						
5								CABLE, Speed Control
	4854 001	1	J, T			EPE, ER0		
	5303 0839	1	B, U			EPE, ER0		
6								VACUUM HARNESS, Heater and A/C
	55036 909AC	1	J, T			EP0		
	#55037 565AB	1	J, T			ER0		
7								HOSE AND VALVE, Vacuum
	55036 917AD	1	U			EP0		
	#55037 566AA	1	B, U			ER0		
8	5503 5902	1				EP0, ER0		RESERVOIR, Speed Control Vacuum
9	3420 1895	2						SCREW, Hex Head Tapping, M6.3x1.81x16.00
10	5207 8082	1	J, T			EPE, ER0		HARNESS, Speed Control Vacuum
11								WASHER, (NOT SERVICED)
12								CLIP, Cable to Servo Attach
	6025 867	1	J, T			EPE, ER0		
		1	B, U			EPE, ER0		
13								NUT, Hex Flange Serration, M6x1
	6502 493	2	J, T			EPE, ER0		

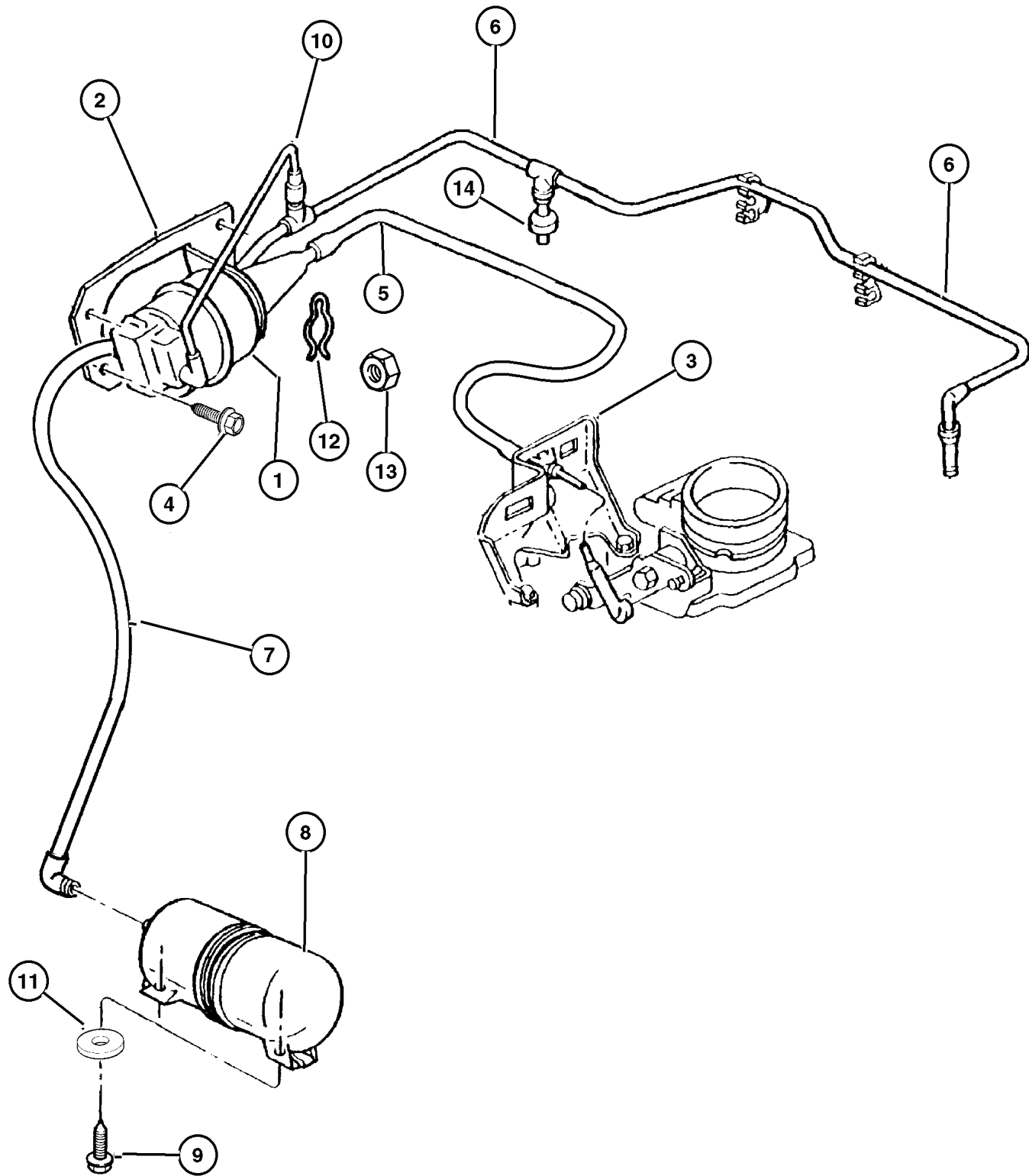
**JEEP CHEROKEE (XJ)**

SERIES	LINE	BODY	ENGINE	TRANSMISSION
P=Classic	J=LHD (4WD)	74=4 Dr.(101.4WB)	ENC,EN0=2.5L 4 cyl. Turbo Die	DDD, DDQ=5 spd. Man.
S=Limited	U=RHD (4WD)	72=2 Dr.(101.4WB)	ERH,ER0=4.0L Power Tech I-6	DGS=4 spd. Auto. AISIN
H=Sport	T=LHD (2WD)		EPE,EP0=Magnum 2.5L SMPI	DG0=All Auto/Trans.
L=SE	B=RHD (2WD)			DBB=All Manual Trans.

AR = Use as required - = Non illustrated part # = New this model year

April 5, 2002

Speed Control 2.5L (EPE), 4.0L (ERH) Engine  
Figure 014-1010



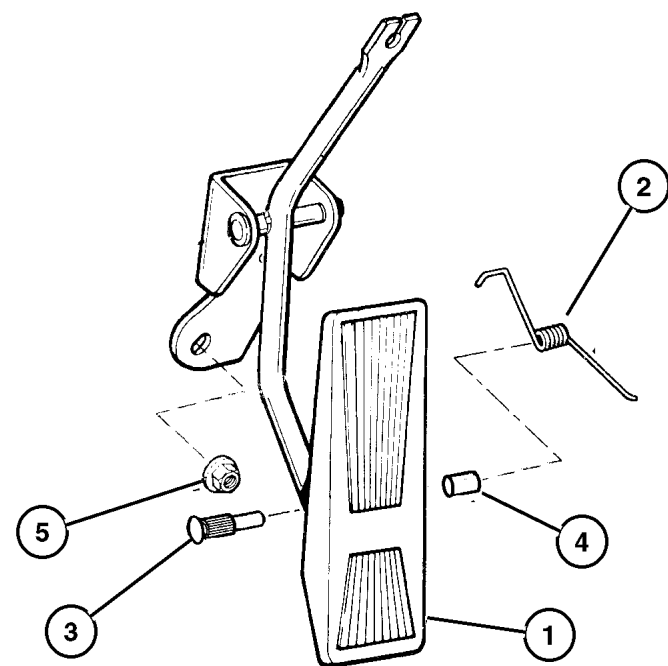
ITEM	PART NUMBER	QTY	LINE	SERIES	BODY	ENGINE	TRANS	DESCRIPTION
		2	B, U			EPE, ER0		
14								VALVE, Check, 1/4, Serviced in Hose Assembly, (NOT SERVICED)

JEEP CHEROKEE (XJ)				
SERIES	LINE	BODY	ENGINE	TRANSMISSION
P=Classic	J=LHD (4WD)	74=4 Dr.(101.4WB)	ENC,EN0=2.5L 4 cyl. Turbo Die	DDD, DDQ=5 spd. Man.
S=Limited	U=RHD (4WD)	72=2 Dr.(101.4WB)	ERH,ER0=4.0L Power Tech I-6	DGS=4 spd. Auto. AISIN
H=Sport	T=LHD (2WD)		EPE,EP0=Magnum 2.5L SMPI	DG0=All Auto/Trans.
L=SE	B=RHD (2WD)			DBB=All Manual Trans.

AR = Use as required - = Non illustrated part # = New this model year April 5, 2002

**Accelerator Pedal 2.5L (EPE), 2.5L (ENC) Diesel, 4.0L (ERH) Engine  
Figure 014-1110**

ITEM	PART NUMBER	QTY	LINE	SERIES	BODY	ENGINE	TRANS	DESCRIPTION
NOTE: EP0=All 2.5L Gas Engines, EN0=2.5L Diesel Engines, ER0=All 4.0L Engines nmission								
1	5207 9117	1	B, U			EN0		PEDAL, Accelerator No Components Available
	5207 9206	1	J, T			EP0, ER0		
	5207 9207	1	B, U			EP0, ER0		No Components Available
	5207 9216	1	J, T			EN0		
2	5303 0874	1	J, T			EP0, ER0		SPRING, Torsion
		1	B, U			EP0, ER0		
3	5207 9019	1	J, T			EP0, ER0		PIN, Accelerator Pedal Mtg.
		1	B, U			EP0, ER0		
4	5207 8653	2	J, T			EP0, ER0		BUSHING, Accelerator Pedal
		2	B, U			EP0, ER0		
5	1150 3745	2				EN0, EP0,	ER0	NUT, Hex, M6x1



JEEP CHEROKEE (XJ)				
SERIES	LINE	BODY	ENGINE	TRANSMISSION
P=Classic	J=LHD (4WD)	74=4 Dr.(101.4WB)	ENC,EN0=2.5L 4 cyl. Turbo Die	DDD, DDQ=5 spd. Man.
S=Limited	U=RHD (4WD)	72=2 Dr.(101.4WB)	ERH,ER0=4.0L Power Tech I-6	DGS=4 spd. Auto. AISIN
H=Sport	T=LHD (2WD)		EPE,EP0=Magnum 2.5L SMPI	DG0=All Auto/Trans.
L=SE	B=RHD (2WD)			DBB=All Manual Trans.

AR = Use as required - = Non illustrated part # = New this model year

April 5, 2002

# Group – 016

## Propeller Shafts and U-Joints

### GROUP 16 - Propeller Shafts and U-Joints

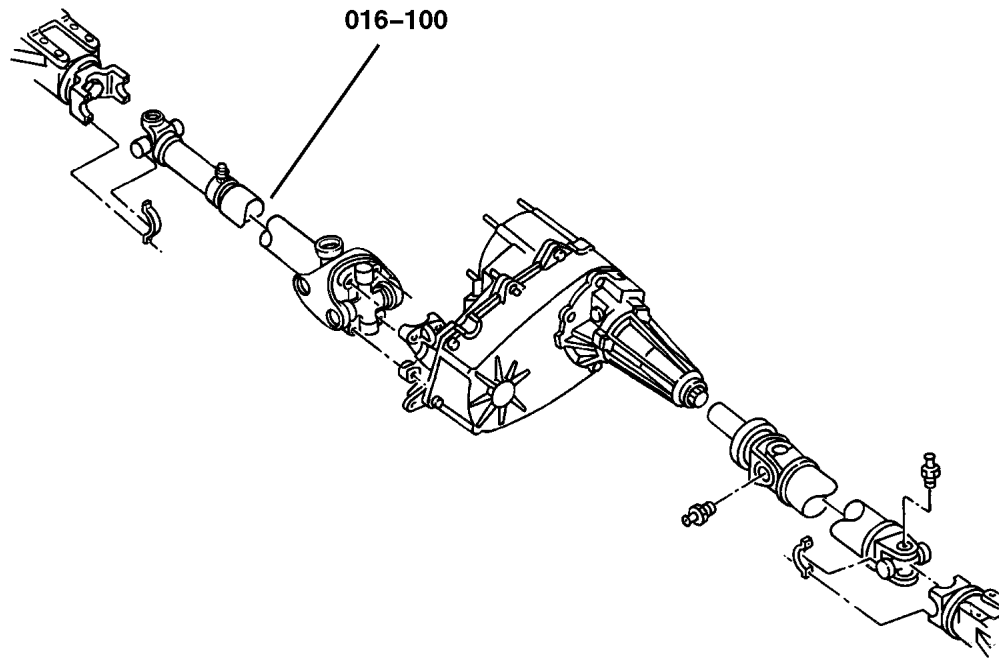
Illustration Title

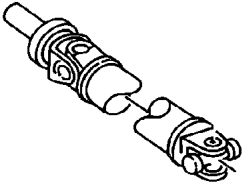
Group-Fig. No.

#### Propeller Shaft

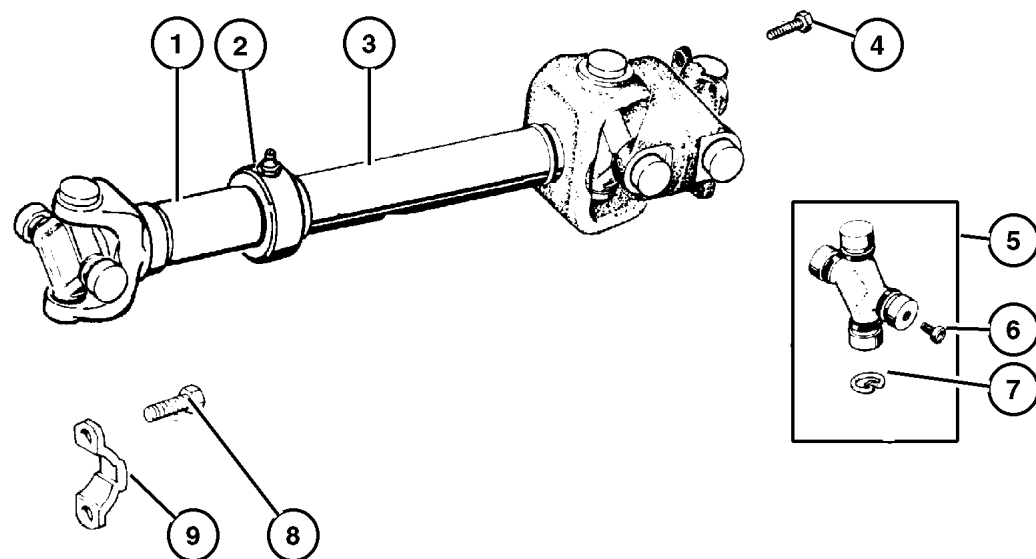
Propeller Shaft,Front ..... Fig. 016-110

Propeller Shaft,Rear ..... Fig. 016-120



<p><b>016-100</b> Propeller Shaft</p> 			
---	--	--	--

**Propeller Shaft,Front  
Figure 016-110**



ITEM	PART NUMBER	QTY	LINE	SERIES	BODY	ENGINE	TRANS	DESCRIPTION
Note: Sales Codes; nsmission								
DBB= Transmissions - All Manual nsmission								
DGO = Transmissions - All Automatic nsmission								
EN0=Engines - All 4/5 Cylinder Turbo Diesel nsmission								
EP0=Engines -All 2.5L 4 Cylinder Gas nsmission								
ER0=Engines - All 4.0L 6 Cylinder Gas nsmission								
1	8350 1594	1	J, U			EN0		YOKE, Drive Shaft
		1	J, U			EP0		
		1	J, U			ER0	DGO	
2	8350 1595	1	J, U			ER0	DBB	SEAL, Drive Shaft Yoke
		1	J, U			EN0		
		1	J, U			EP0		
		1	J, U			ER0	DGO	
		1	J, U			ER0	DBB	
3	5209 8208	1	J, U			EN0		SHAFT, Front Drive
	5300 5541	1	J, U			EP0		
	5300 5542	1	J, U			ER0	DGO	
	5300 5543	1	J, U			ER0	DBB	
4	6034 966	4	J, U					BOLT, .312-24x1.170, Drive Shaft to Transfer Case Yoke, Mounting U JOINT
5	4882 793	1	J, U			EN0		As Required
		1	J, U			EP0		As Required
		1	J, U			ER0	DGO	As Required
		1	J, U			ER0	DBB	As Required
6	8350 7064	1	J, T					FITTING PACKAGE, Grease
		1	B, U					As Required
7	J320 7886	4	J, U			EN0		RING, U Joint
		4	J, U			EP0		
		4	J, U			ER0	DGO	
		4	J, U			ER0	DBB	
8	J400 6928	4						BOLT, Drive Shaft to Front Axle Yoke, Mounting
9	J324 0553	2	J, U					STRAP, Prop Shaft, Drive Shaft to Front Axle Yoke, Mounting

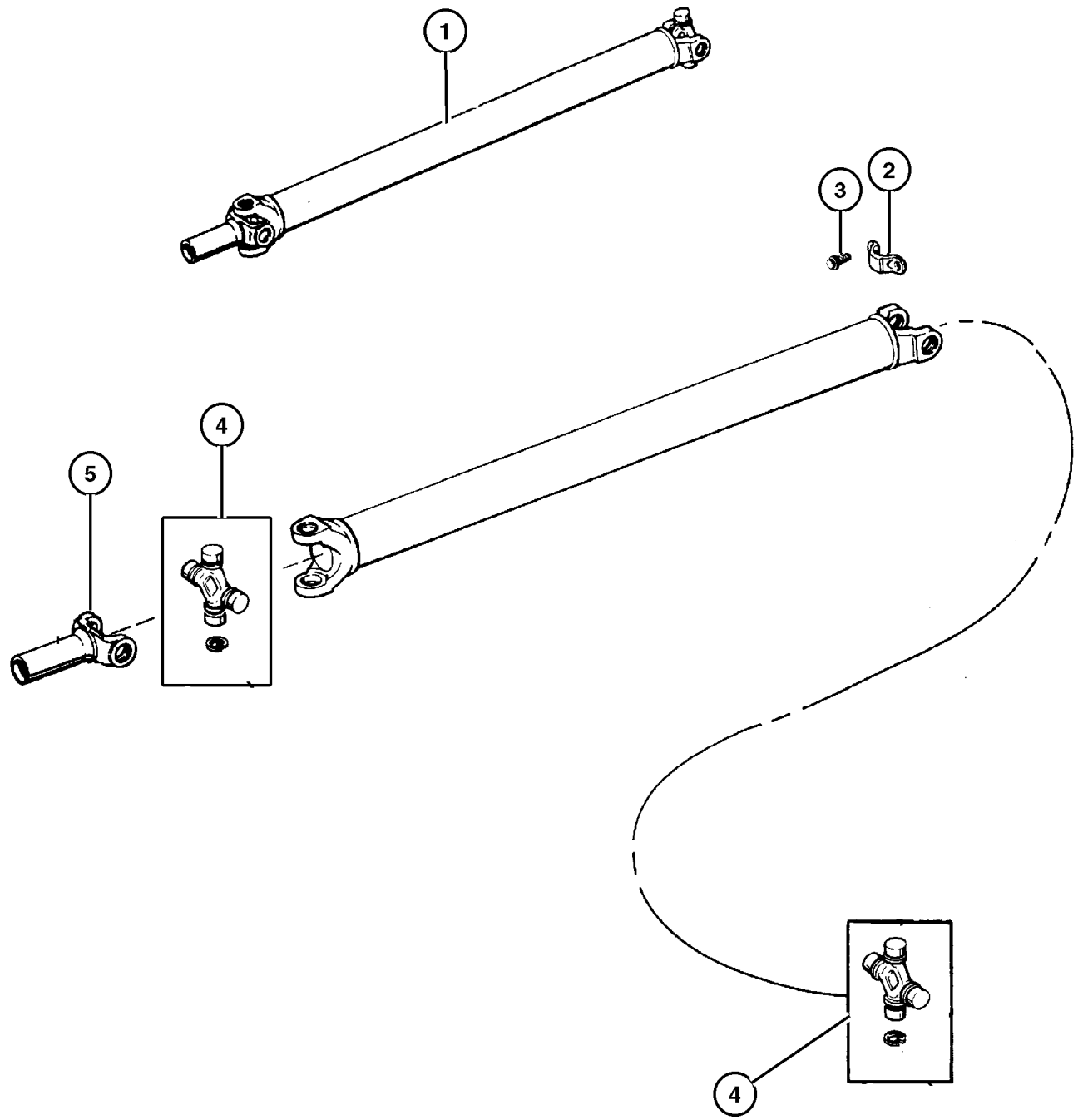
**JEEP CHEROKEE (XJ)**

SERIES	LINE	BODY	ENGINE	TRANSMISSION
P=Classic	J=LHD (4WD)	74=4 Dr.(101.4WB)	ENC,EN0=2.5L 4 cyl. Turbo Die	DDD, DDQ=5 spd. Man.
S=Limited	U=RHD (4WD)	72=2 Dr.(101.4WB)	ERH,ER0=4.0L Power Tech I-6	DGS=4 spd. Auto. AISIN
H=Sport	T=LHD (2WD)		EPE,EP0=Magnum 2.5L SMPI	DGO=All Auto/Trans.
L=SE	B=RHD (2WD)			DBB=All Manual Trans.

AR = Use as required - = Non illustrated part # = New this model year

April 5, 2002

**Propeller Shaft,Rear  
Figure 016-120**



ITEM	PART NUMBER	QTY	LINE	SERIES	BODY	ENGINE	TRANS	DESCRIPTION
Note: Sales Codes; nsmission								
DBB= Transmissions - All Manual nsmission								
DG0 = Transmissions - All Automatic nsmission								
DHN =Command-Trac Part Time 4WD System nsmission								
DRA= Axle - Rear, Corporate 8.25 nsmission								
DRJ= Axle - Rear, Dana M35/194MM RBI nsmission								
DRM= Axle - Rear, Dana 35C/194MM nsmission								
EN0=Engines - All 4/5 Cylinder Turbo Diesel nsmission								
EP0=Engines -All 2.5L 4 Cylinder Gas nsmission								
ER0=Engines - All 4.0L 6 Cylinder Gas nsmission								
1	5209 9422	1	J, U			EN0	DBB	SHAFT, Drive [DRJ,DRM,DHN]
	#52098 744AB	1	J, U			EP0		
	#52098 732AC	1	J, U			ER0	DBB	[DRA]
	#52098 814AB	1	J, U			ER0	DG0	[DRA]
	#52098 731AC	1	J, U			ER0	DG0	[DRJ,DRM]
	5209 8851	1	J, U			ER0	DBB	[DRJ]
	5209 9057	1	B, T			EP0	DBB	
	52099 054AB	1	B, T			EP0	DG0	[DRA]
	#52111 152AC	1	B, T			ER0	DBB	[DRA]
	#52111 153AC	1	B, T			ER0	DBB	[DRJ,DRM]
	5209 9056	1	B, T			ER0	DG0	[DRA]
	5209 9064	1	B, T			ER0	DG0	[DRJ,DRM]
2	J324 0553	2	J, U					STRAP, Prop Shaft
3	J400 6928	4	J, U					BOLT
4								U JOINT
	5014 062AA	1	J, U			EN0	DBB	[DRJ,DRM,DHN], Front
	4882 793	1	J, U			EN0	DBB	[DRJ,DRM,DHN], Rear
		1	J, U			EP0		Front or Rear
		1	J, U			ER0	DBB	[DRA], Front or Rear
		1	J, U			ER0	DG0	[DRA], Front or Rear
		1	J, U			ER0	DG0	[DRJ,DRM], Front or Rear
	5014 062AA	1	J, U			ER0	DBB	[DRJ], Front
	4882 793	1	J, U			ER0	DBB	[DRJ], Rear
		1	B, T			EP0	DBB	Front or Rear
		1	B, T			EP0	DG0	[DRA], Front or Rear
	5015 694AA	1	B, T			ER0	DBB	[DRA], Front or Rear
		1	B, T			ER0	DBB	[DRJ,DRM], Front or Rear
	4882 793	1	B, T			ER0	DG0	[DRA], Front or Rear
		1	B, T			ER0	DG0	[DRJ,DRM], Front or Rear
5								YOKE, Drive Shaft
	5012 918AA	1	J, U			EN0	DBB	[DRJ,DRM,DHN]

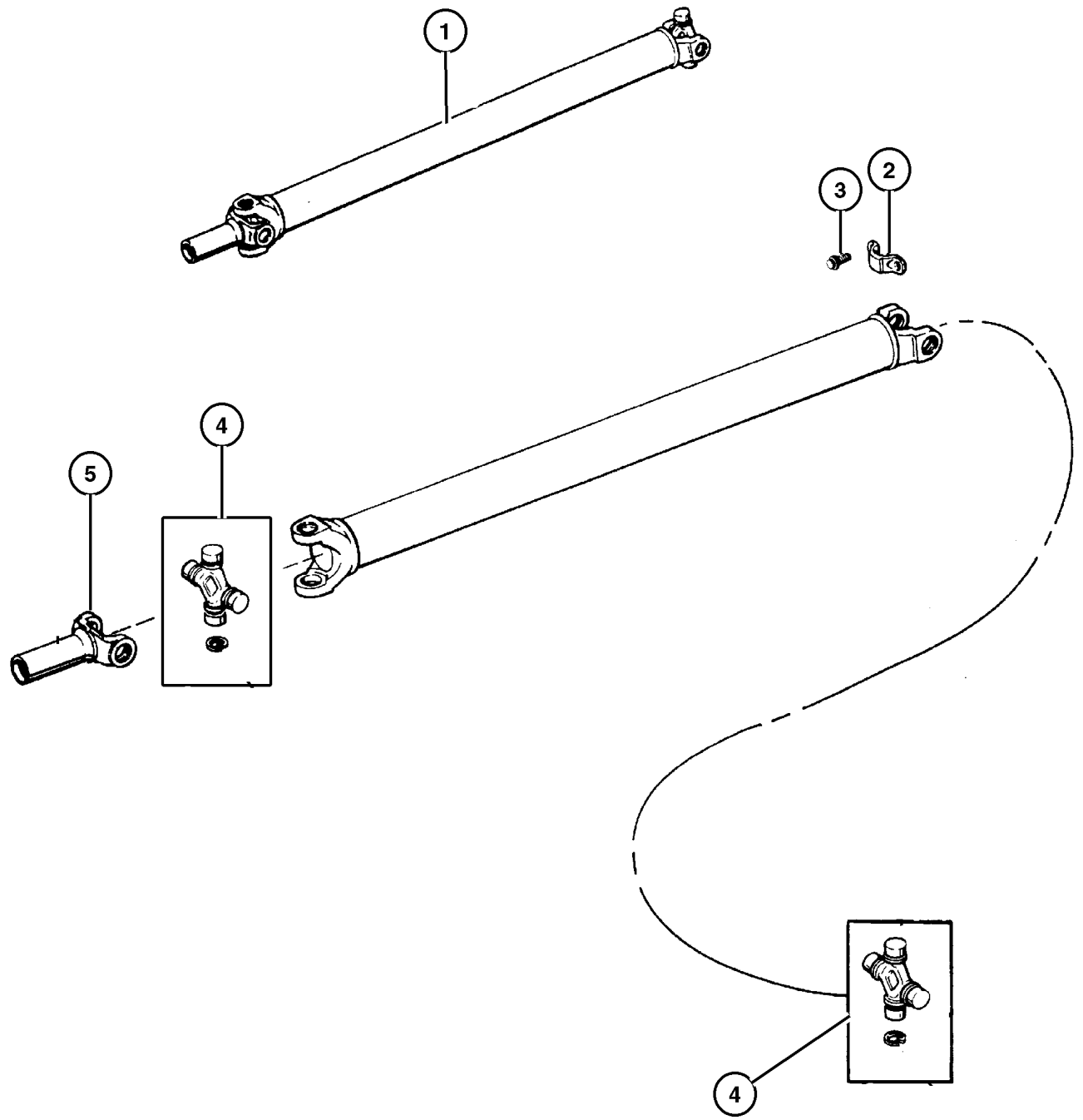
JEEP CHEROKEE (XJ)				
SERIES	LINE	BODY	ENGINE	TRANSMISSION
P=Classic	J=LHD (4WD)	74=4 Dr.(101.4WB)	ENC,EN0=2.5L 4 cyl. Turbo Die	DDD, DDQ=5 spd. Man.
S=Limited	U=RHD (4WD)	72=2 Dr.(101.4WB)	ERH,ER0=4.0L Power Tech I-6	DGS=4 spd. Auto. AISIN
H=Sport	T=LHD (2WD)		EPE,EP0=Magnum 2.5L SMPI	DG0=All Auto/Trans.
L=SE	B=RHD (2WD)			DBB=All Manual Trans.

AR = Use as required - = Non illustrated part # = New this model year

April 5, 2002

**Propeller Shaft,Rear  
Figure 016-120**

ITEM	PART NUMBER	QTY	LINE	SERIES	BODY	ENGINE	TRANS	DESCRIPTION
	4882 714	1	J, U			EP0		
		1	J, U			ER0	DBB	[DRA]
		1	J, U			ER0	DG0	[DRA]
		1	J, U			ER0	DG0	[DRJ,DRM]
		1	J, U			ER0	DBB	[DRJ]
	5300 1987	1	B, T			EP0	DBB	
	5300 1986	1	B, T			EP0	DG0	[DRA]
	#5018 320AA	1	B, T			ER0	DBB	[DRA]
		1	B, T			ER0	DBB	[DRJ,DRM]
	8350 3593	1	B, T			ER0	DG0	[DRA]
		1	B, T			ER0	DG0	[DRJ,DRM]



<b>JEEP CHEROKEE (XJ)</b>				
SERIES	LINE	BODY	ENGINE	TRANSMISSION
P=Classic	J=LHD (4WD)	74=4 Dr.(101.4WB)	ENC,EN0=2.5L 4 cyl. Turbo Die	DDD, DDQ=5 spd. Man.
S=Limited	U=RHD (4WD)	72=2 Dr.(101.4WB)	ERH,ER0=4.0L Power Tech I-6	DGS=4 spd. Auto. AISIN
H=Sport	T=LHD (2WD)		EPE,EP0=Magnum 2.5L SMPI	DG0=All Auto/Trans.
L=SE	B=RHD (2WD)			DBB=All Manual Trans.

AR = Use as required - = Non illustrated part # = New this model year

April 5, 2002



# Group - 017

## Rear Suspension

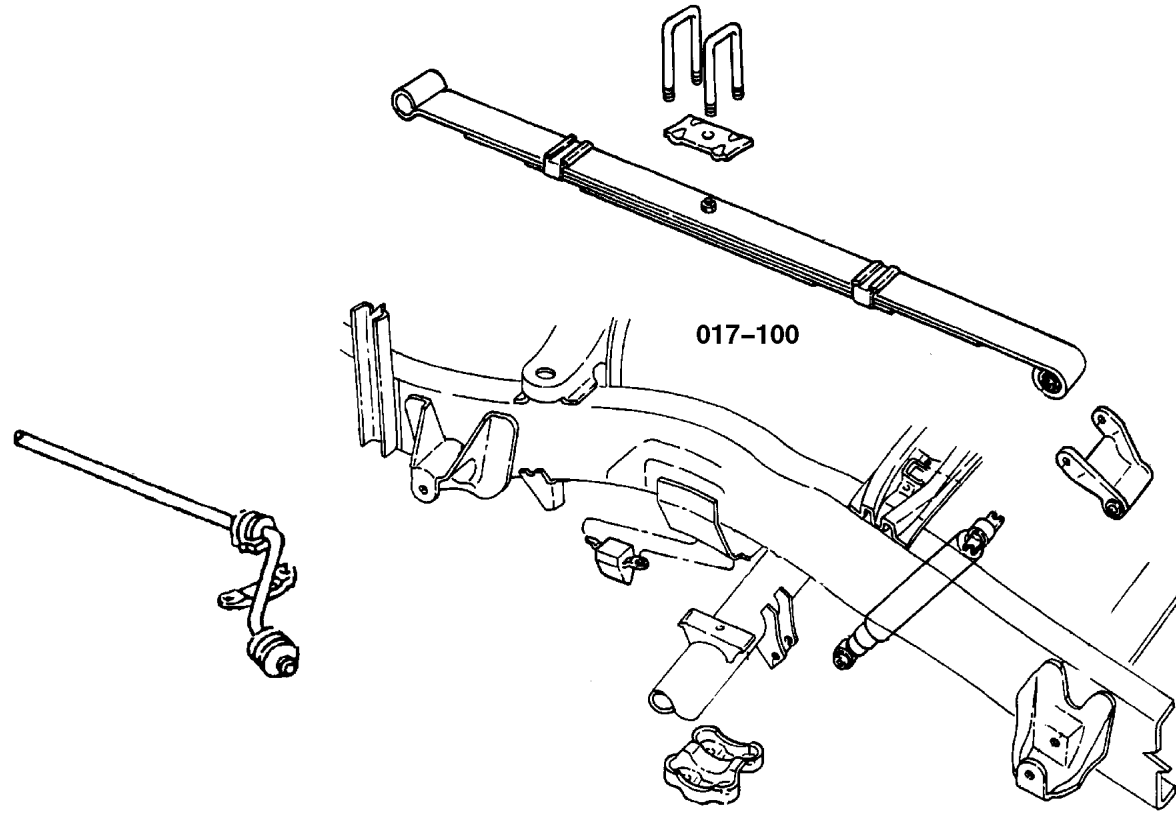
### GROUP 17 - Rear Suspension

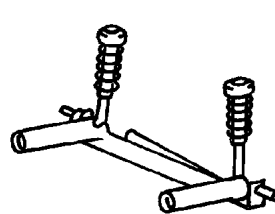
Illustration Title

Group-Fig. No.

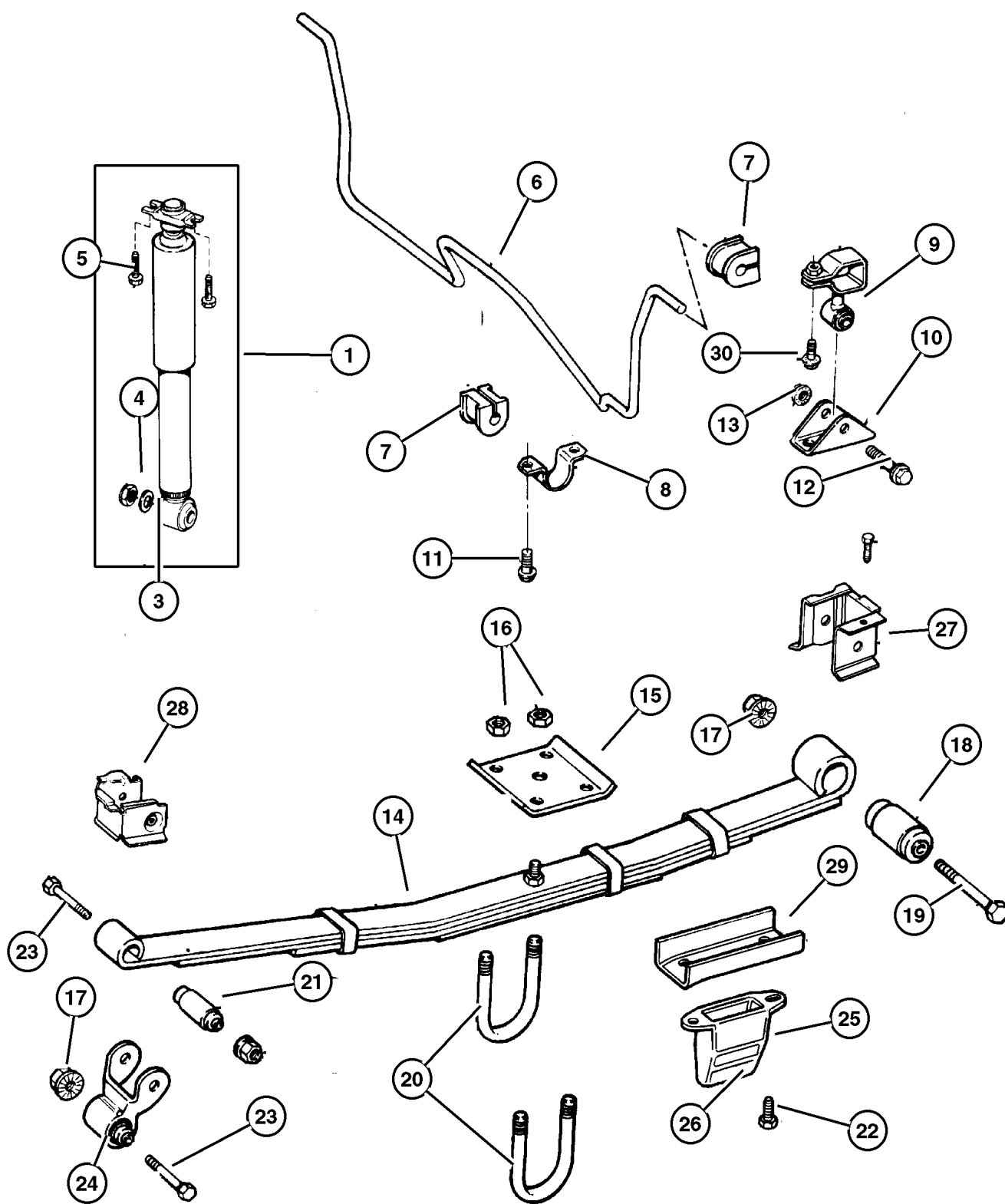
#### Rear Suspension

Suspension, Rear and Shock Absorber ..... Fig. 017-120



<p>017-100 Rear Suspension</p> 			
--	--	--	--

## Suspension, Rear and Shock Absorber Figure 017-120



ITEM	PART NUMBER	QTY	LINE	SERIES	BODY	ENGINE	TRANS	DESCRIPTION
1								SHOCK ABSORBER, Suspension, Rear
	52087 777AE	2						Standard
	52087 948AD	2						Heavy Duty
-2	#4886 509AG	2	J, U					SHOCK ABSORBER PACKAGE, suspension
3	1150 0325	2						WASHER, Shock Absorber
4	6101 688	2						NUT, Hex Lock, M12x1.75
5	J400 1933	4						SCREW, Hex Flange Head, .312-x18x.875
6	5200 1135	1						BAR, Rear Sway
7	5200 1145	4						CUSHION, Sway Eliminator
8	5208 7865	2						RETAINER, Sway Bar
9	5200 1094	2						LINK, Sway Eliminator
10	5200 6450	2						BRACKET, Stabilizer Bar
11	6505 574AA	4						SCREW AND WASHER, Hex Head, M10x1.5x40
12	1150 5098	2						BOLT, Hex Flange Head, M12x1.75x60
13	6502 697	2						NUT, Hex Flange Lock, M12x1.75
14								SPRING, Rear Leaf
	52000 050AB	1						[ZFS,ZUS], Right or Left
	52000 051AB	1						[ZFT,ZUT], Right or Left
	52000 707AB	1						[ZGU,ZVU], Right or Left
	52000 706AB	1						[ZFU,ZUU], Right or Left
	52000 544AB	1						[ZGS,AVS], Right or Left
	52000 545AB	1						[ZGT,ZVT], Right or Left
	52002 390AB	1						[ZGV,ZVV], Right or Left
	52002 392AB	1						[ZGW,ZVW], Right or Left
15	5200 6449	2						PLATE, U Bolt
16	6502 697	8						NUT, Hex Flange Lock, M12x1.75
17	1150 2814	2						NUT, Hex Flange Lock, M14z2
18	5200 0503	1						BUSHING, Spring
19	3420 2118	2						BOLT, Hex Flange Head, M14x2.0x120
20								U-BOLT, Rear Spring
	5200 4010	4						w/ 2 5/8 Bolt
	5200 6440	4						
21	5200 0504	2						BUSHING, Spring
22	J400 1933	2						SCREW, Hex Flange Head, .312-x18x.875
23	3420 2118	4						BOLT, Hex Flange Head, M14x2.0x120
24	5200 0507	2						SHACKLE, Spring
25	5200 4297	2						BUMPER, Suspension Jounce
26	5200 2393	2	J, U					BUMPER, Jounce
27								BRACKET, Spring

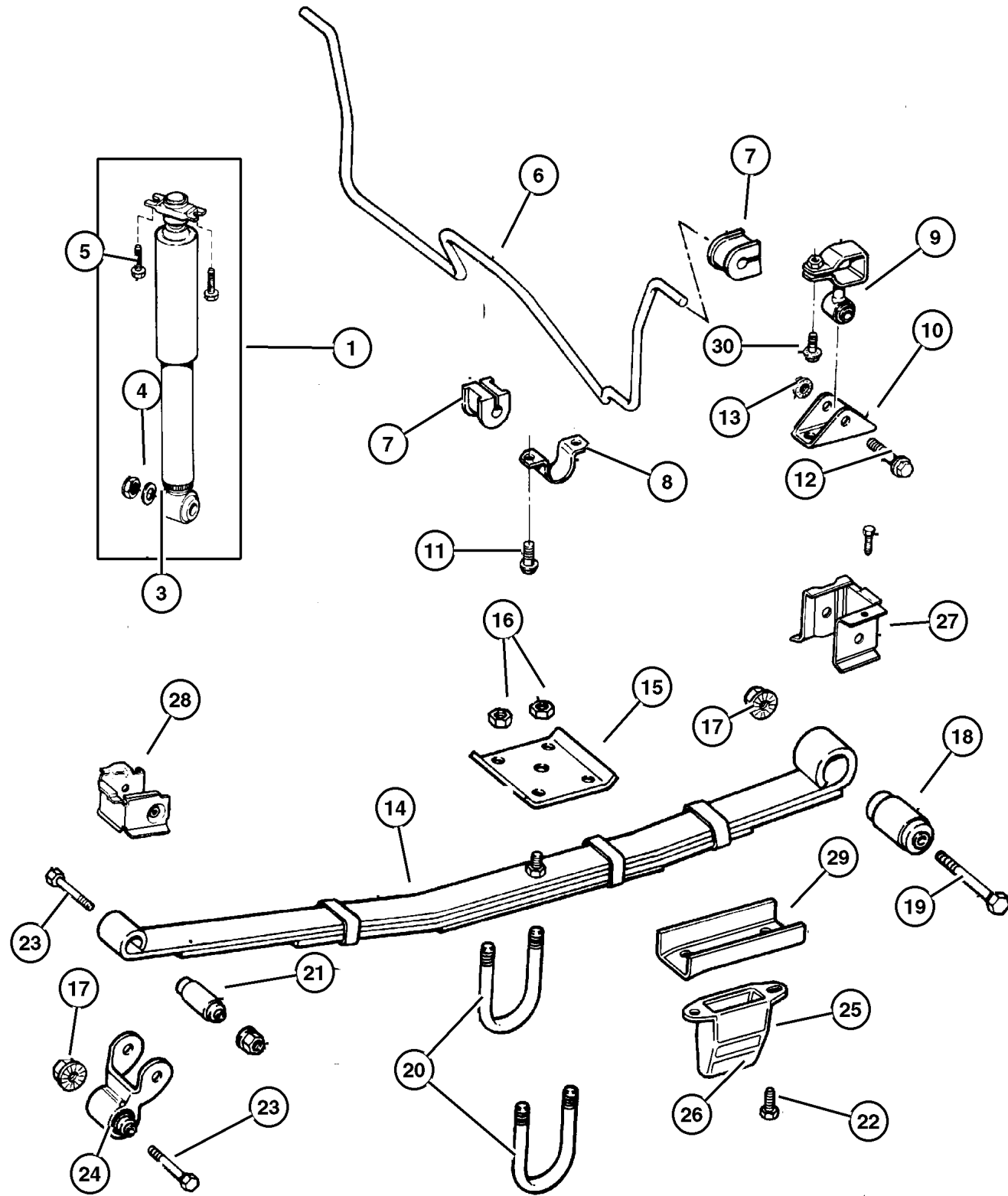
**JEEP CHEROKEE (XJ)**

SERIES	LINE	BODY	ENGINE	TRANSMISSION
P=Classic	J=LHD (4WD)	74=4 Dr.(101.4WB)	ENC,EN0=2.5L 4 cyl. Turbo Die	DDD, DDQ=5 spd. Man.
S=Limited	U=RHD (4WD)	72=2 Dr.(101.4WB)	ERH,ER0=4.0L Power Tech I-6	DGS=4 spd. Auto. AISIN
H=Sport	T=LHD (2WD)		EPE,EP0=Magnum 2.5L SMPI	DG0=All Auto/Trans.
L=SE	B=RHD (2WD)			DBB=All Manual Trans.

AR = Use as required - = Non illustrated part # = New this model year

April 5, 2002

Suspension, Rear and Shock Absorber  
Figure 017-120



ITEM	PART NUMBER	QTY	LINE	SERIES	BODY	ENGINE	TRANS	DESCRIPTION
	5500 1102	1						Right
	5500 1103	1						Left
28	5014 590AA	1						BRACKET, Spring Right
	5014 591AA	1						Left
29	5200 2386	2	J, U					REINFORCEMENT, Jounce Bumper
30	3420 1686	2						BOLT, Hex Flange Head, M12x1.18x35

JEEP CHEROKEE (XJ)

SERIES	LINE	BODY	ENGINE	TRANSMISSION
P=Classic	J=LHD (4WD)	74=4 Dr.(101.4WB)	ENC,EN0=2.5L 4 cyl. Turbo Die	DDD, DDQ=5 spd. Man.
S=Limited	U=RHD (4WD)	72=2 Dr.(101.4WB)	ERH,ER0=4.0L Power Tech I-6	DGS=4 spd. Auto. AISIN
H=Sport	T=LHD (2WD)		EPE,EP0=Magnum 2.5L SMPI	DG0=All Auto/Trans.
L=SE	B=RHD (2WD)			DBB=All Manual Trans.

AR = Use as required - = Non illustrated part # = New this model year

April 5, 2002

# Group – 019

## Steering

### GROUP 19 - Steering

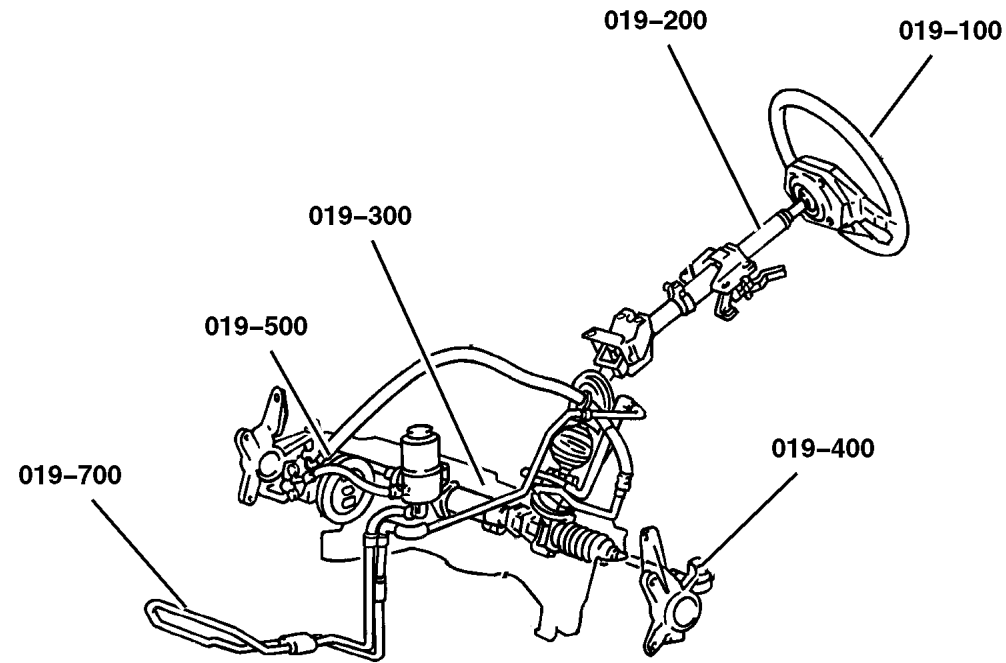


Illustration Title

Group-Fig. No.

#### Steering Wheel

Wheel Steering ..... Fig. 019-110

#### Steering Column

Column, Steering Upper and Lower ..... Fig. 019-250

#### Steering Gear

Gear, Steering ..... Fig. 019-320

#### Steering Linkage

Linkage and Damper ..... Fig. 019-410

#### Power Steering Pump

Pump and Mounting, with 2.5L Gas Engine ..... Fig. 019-530

Pump and Mounting, with 4.0L Engine ..... Fig. 019-535

Pump and Mounting, with 2.5L Diesel Engine ..... Fig. 019-545

#### Power Steering Hoses

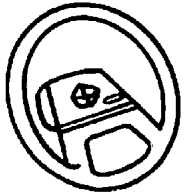
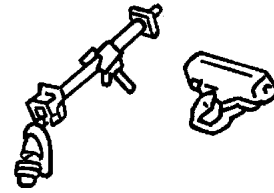
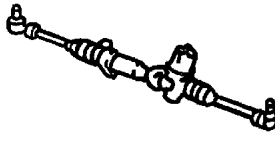
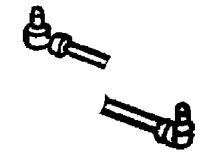
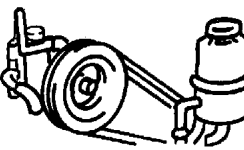
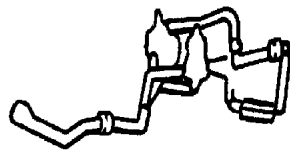
Hoses and Reservoir, 2.5L Gas Engine, Left Hand Drive ..... Fig. 019-715

Hoses and Reservoir, 2.5L Gas Engine, Right Hand Drive ..... Fig. 019-725

Hoses and Reservoir, 4.0L Gas Engine ..... Fig. 019-740

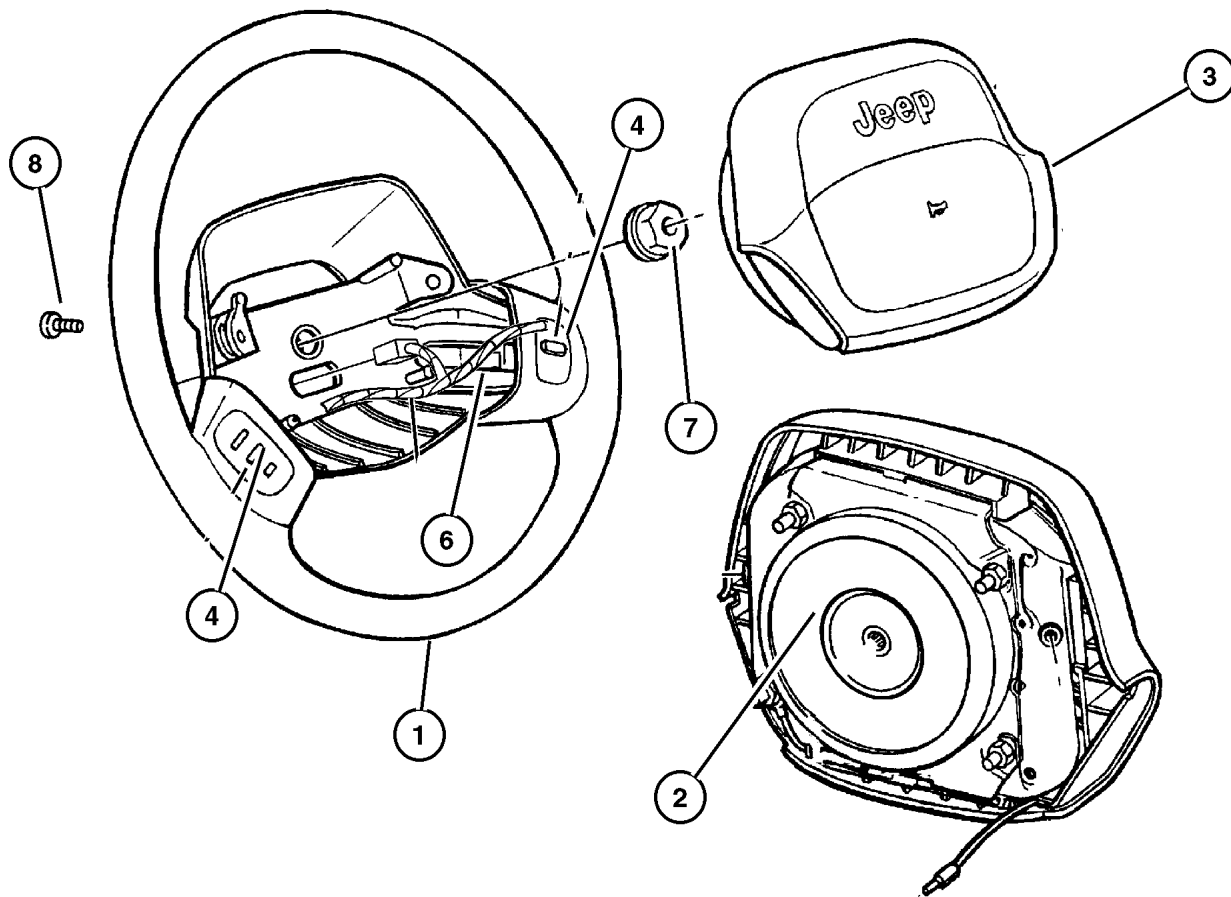
Hoses and Reservoir, 2.5L Diesel Engine, Left Hand Drive ..... Fig. 019-745

Hoses and Reservoir, 2.5L Diesel Engine, Right Hand Drive ..... Fig. 019-755

<p><b>019-100</b> Steering Wheel</p> 	<p><b>019-200</b> Steering Column</p> 	<p><b>019-300</b> Steering Gear</p> 	<p><b>019-400</b> Steering Linkage</p> 
<p><b>019-500</b> Power Steering Pump</p> 	<p><b>019-700</b> Power Steering Hoses</p> 		

# Wheel Steering Figure 019-110

ITEM	PART NUMBER	QTY	LINE	SERIES	ENGINE	TRANS	DESCRIPTION
Note: If Horn Switch is defective, you must replace the AIR BAG COVER WITH SWITCH and not the AIR BAG MODULE ASSEMBLY itself. nsmission							
1							WHEEL, Steering
	5DY22 LAZAC	1					Leather, w/speed control
	5GK43 1AZAA	1					Sport
	5GL44 1AZAA	1					Leather, w/o Speed Control
2	5GC51 LAZAB	1					AIR BAG, Driver
3	4798 182	1					COVER, Air Bag Module, Includes Horn Switch
4							SWITCH, Speed Control
	56007 530AD	1					Right
	56007 531AD	1					Left
-5							BEZEL, Steering Wheel
	5GK16 DX9AA	1					Right
	5GK17 DX9AA	1					Left
6	5600 9437	1					WIRING, Steering Wheel
7	4882 610	3			ENO		NUT, Lock
8	6503 771	2					SCREW, Hex Flange Head, M6x1x23



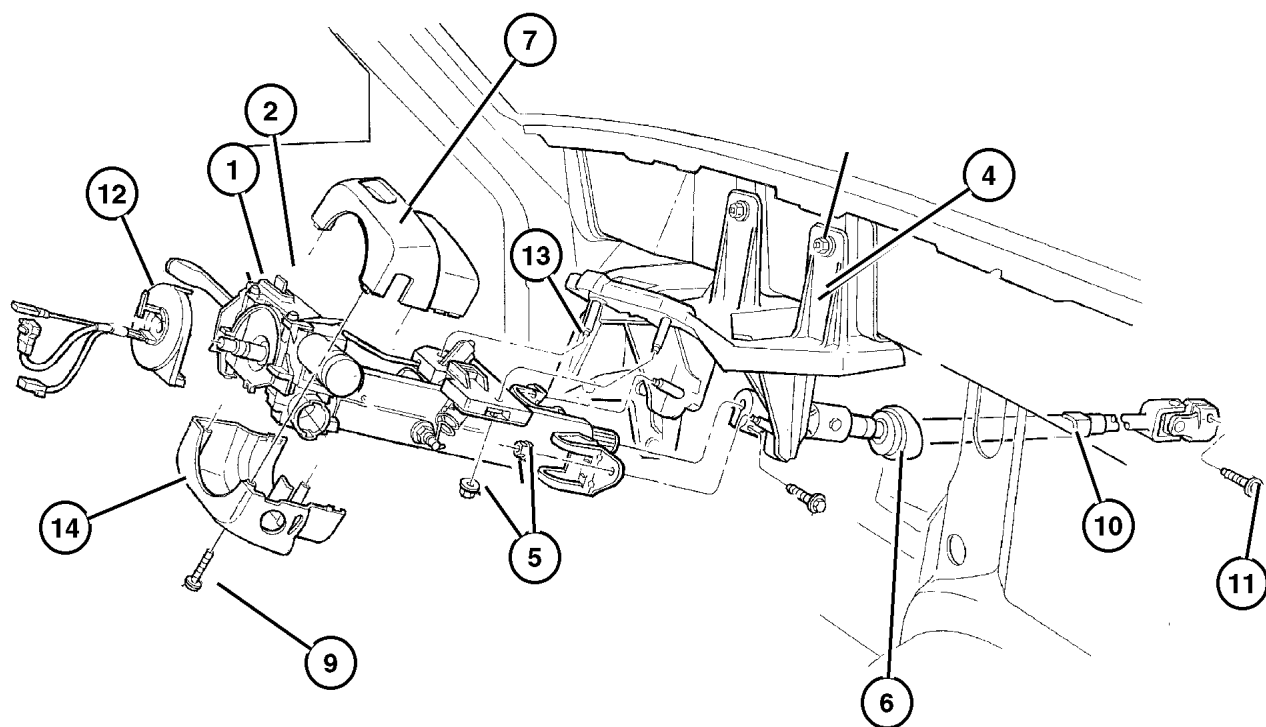
JEEP CHEROKEE (XJ)				
SERIES	LINE	BODY	ENGINE	TRANSMISSION
P=Classic	J=LHD (4WD)	74=4 Dr.(101.4WB)	ENC,EN0=2.5L 4 cyl. Turbo Die	DDD, DDQ=5 spd. Man.
S=Limited	U=RHD (4WD)	72=2 Dr.(101.4WB)	ERH,ER0=4.0L Power Tech I-6	DGS=4 spd. Auto. AISIN
H=Sport	T=LHD (2WD)		EPE,EP0=Magnum 2.5L SMPI	DG0=All Auto/Trans.
L=SE	B=RHD (2WD)			DBB=All Manual Trans.

AR = Use as required - = Non illustrated part # = New this model year

April 5, 2002

## Column, Steering Upper and Lower Figure 019-250

ITEM	PART NUMBER	QTY	LINE	SERIES	ENGINE	TRANS	DESCRIPTION
NOTES; SALES CODE DGO= ALL AUTOMATIC TRANSMISSIONS, DBB= MANUAL TRANSMISSIONS, nsmission ABB= EUROPEAN EQUIPMENT nsmission							
1							COLUMN, steering, non tilt
	4897 818AB	1				DG0	
	4897 820AB	1				DBB	
2							COLUMN, Steering, Tilt
	4897 809AB	1				DG0	w/o ABB
	4897 810AB	1				DG0	w/ ABB
	4897 811AB	1				DBB	w/o ABB
	4897 812AB	1				DBB	w/ ABB
-3							LEVER, Tilt Column Release
	4690 372AD	1				DG0	
		1				DBB	
4							BRACKET, Steering Column
	5207 8853	1		J, T			
	52078 930AB	1		B, U			
5	6501 279	5					NUT, Hex Flange Lock, M8x1.25
6							SEAL, Steering Column Shaft, (NOT SERVICED)
7							SHROUD, Steering Column
	5FV71 LAZAC	1				DBB	w/Tilt, Upper
		1				DG0	w/Tilt, Upper
	5FV74 LAZAC	1				DBB	w/o Tilt, Upper
		1				DG0	w/o Tilt, Upper
-8							SHIELD, Steering Column
	5207 9332	1				DBB	
		1				DG0	
9	6035 434	3					SCREW AND WASHER, Pan Head
10	#52079 010AF	1					SHAFT, Intermediate
11	6503 210	2					SCREW, Hex Flange Head, M10x1.5x35.
12							CLOCKSPRING
	5600 9071	1					With [NHM]
	5600 9070	1					Without [NHM]
13							BRACKET, Instrument Panel Wiring
	5600 9146	1		J, T			
	5600 9147	1		B, U			
14							SHROUD, Steering Column
	5FV70 LAZAC	1				DG0	
	5FV76 LAZAC	1				DBB	



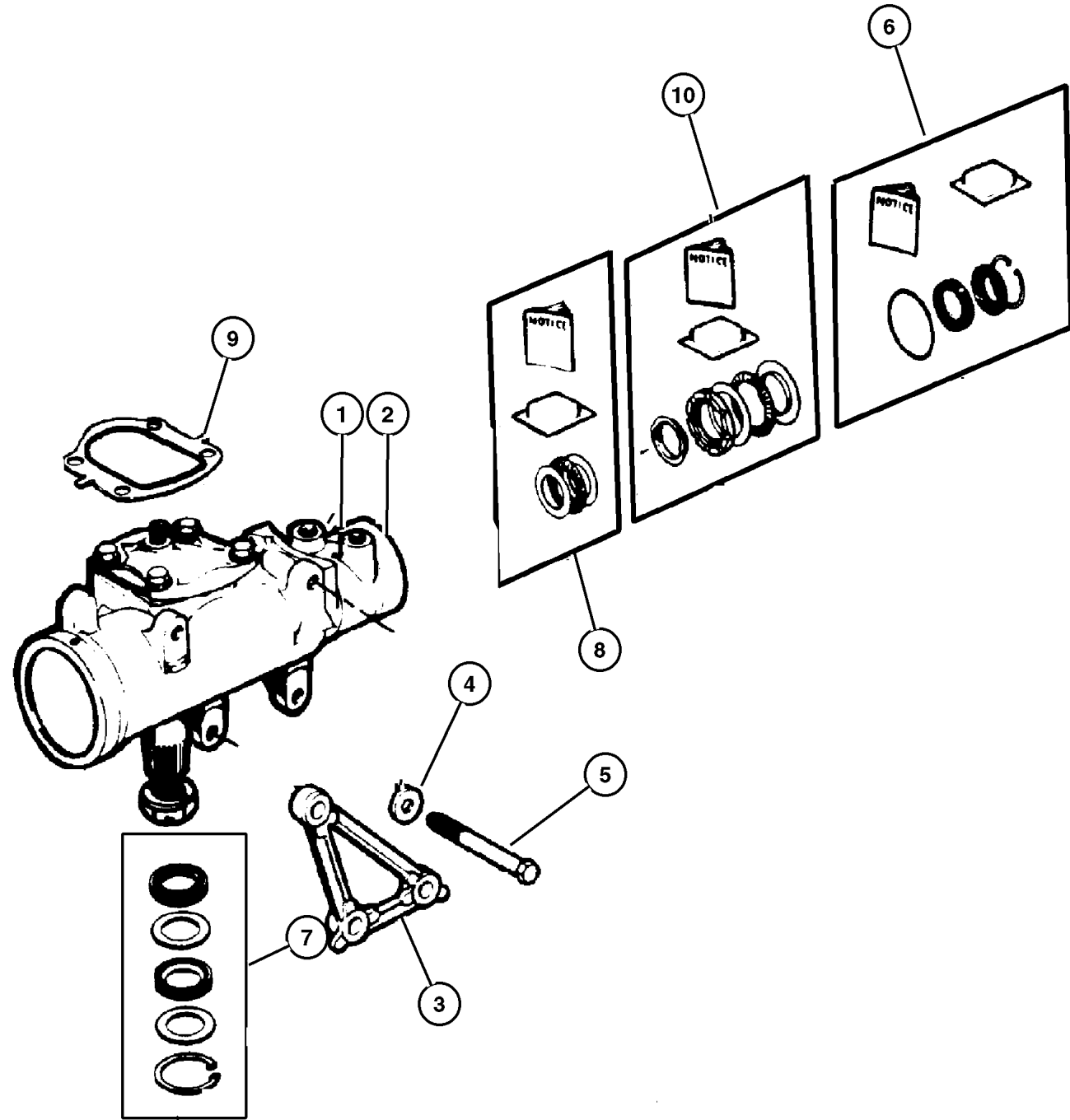
### JEEP CHEROKEE (XJ)

SERIES	LINE	BODY	ENGINE	TRANSMISSION
P=Classic	J=LHD (4WD)	74=4 Dr.(101.4WB)	ENC,EN0=2.5L 4 cyl. Turbo Die	DDD, DDQ=5 spd. Man.
S=Limited	U=RHD (4WD)	72=2 Dr.(101.4WB)	ERH,ER0=4.0L Power Tech I-6	DGS=4 spd. Auto. AISIN
H=Sport	T=LHD (2WD)		EPE,EP0=Magnum 2.5L SMPI	DG0=All Auto/Trans.
L=SE	B=RHD (2WD)			DBB=All Manual Trans.

AR = Use as required - = Non illustrated part # = New this model year

April 5, 2002

**Gear, Steering  
Figure 019-320**



ITEM	PART NUMBER	QTY	LINE	SERIES	ENGINE	TRANS	DESCRIPTION
1	52088 386AC	1	J, T				GEAR, Power Steering
2	52088 532AE	1	B, U				GEAR, Power Steering, RHD
3	5200 0090	1	J, T				ADAPTER, Steering Gear
4	J400 3926	3					WASHER, Flat, .437x.875x.135
5	6035 939AA	3					SCREW, Hex Head
6	3893 557	1	J, T				SEAL KIT, Steering gear end plug
7	4470 365	1	J, T				SEAL KIT, Steering gear pitman shaft
8	4897 000AA	1	J, T				REPAIR KIT, Thurst Bearing, Steering Gear
9	3893 558	1	J, T				SEAL, Steering Gear Cover
10	4886 349AA	1	J, T				SEAL KIT, Steering gear adjuster plug

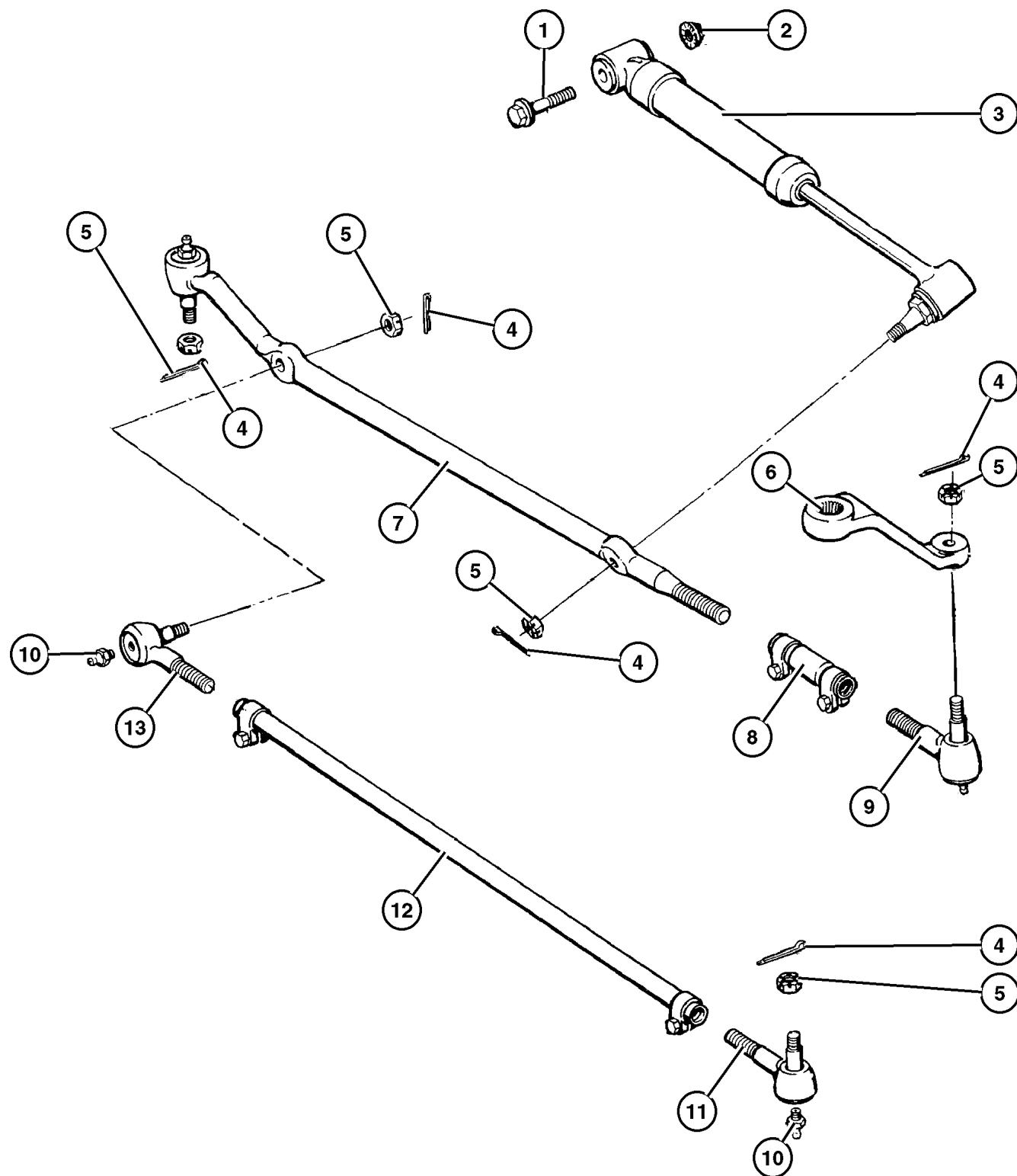
**JEEP CHEROKEE (XJ)**

SERIES	LINE	BODY	ENGINE	TRANSMISSION
P=Classic	J=LHD (4WD)	74=4 Dr.(101.4WB)	ENC,EN0=2.5L 4 cyl. Turbo Die	DDD, DDQ=5 spd. Man.
S=Limited	U=RHD (4WD)	72=2 Dr.(101.4WB)	ERH,ER0=4.0L Power Tech I-6	DGS=4 spd. Auto. AISIN
H=Sport	T=LHD (2WD)		EPE,EP0=Magnum 2.5L SMPI	DG0=All Auto/Trans.
L=SE	B=RHD (2WD)			DBB=All Manual Trans.

AR = Use as required - = Non illustrated part # = New this model year

April 5, 2002

## Linkage and Damper Figure 019-410



ITEM	PART NUMBER	QTY	LINE	SERIES	ENGINE	TRANS	DESCRIPTION
1	1150 5098	1					BOLT, Hex Flange Head, M12x1.75x60
2	6502 697	1					NUT, Hex Flange Lock, M12x1.75
3	52087 827AB	1	J, T				DAMPER, Steering Linkage
	52037 506AB	1	B, U				
4	3420 2101	1					PIN, Cotter
5	J027 4428	1					NUT, Hex Slotted
6	5200 0615	1	J, T				ARM, Pitman
	5200 6505	1	B, U				
7	5200 6592	1	J, T				SOCKET, Drag Link Outer
	5200 6582	1	B, U				
8	#52005 742AB	1	J, T				TUBE, Tie Rod
		1	B, U				
9	5200 5739	1	J, T				SOCKET Drag Link, Inner Drag Link, Inner
		1	B, U				
10	8350 7064	1	J, T				FITTING PACKAGE, Grease
		1	B, U				
11	5200 5741	1	J, T				SOCKET, Tie Rod, Outer
		1	B, U				
12	#52005 743AB	1	J, T				TUBE, Tie Rod
		1	B, U				
13	5200 5740	1	J, T				SOCKET, Tie Rod, Inner
		1	B, U				

### JEEP CHEROKEE (XJ)

SERIES	LINE	BODY	ENGINE	TRANSMISSION
P=Classic	J=LHD (4WD)	74=4 Dr.(101.4WB)	ENC,EN0=2.5L 4 cyl. Turbo Die	DDD, DDQ=5 spd. Man.
S=Limited	U=RHD (4WD)	72=2 Dr.(101.4WB)	ERH,ER0=4.0L Power Tech I-6	DGS=4 spd. Auto. AISIN
H=Sport	T=LHD (2WD)		EPE,EP0=Magnum 2.5L SMPI	DG0=All Auto/Trans.
L=SE	B=RHD (2WD)			DBB=All Manual Trans.

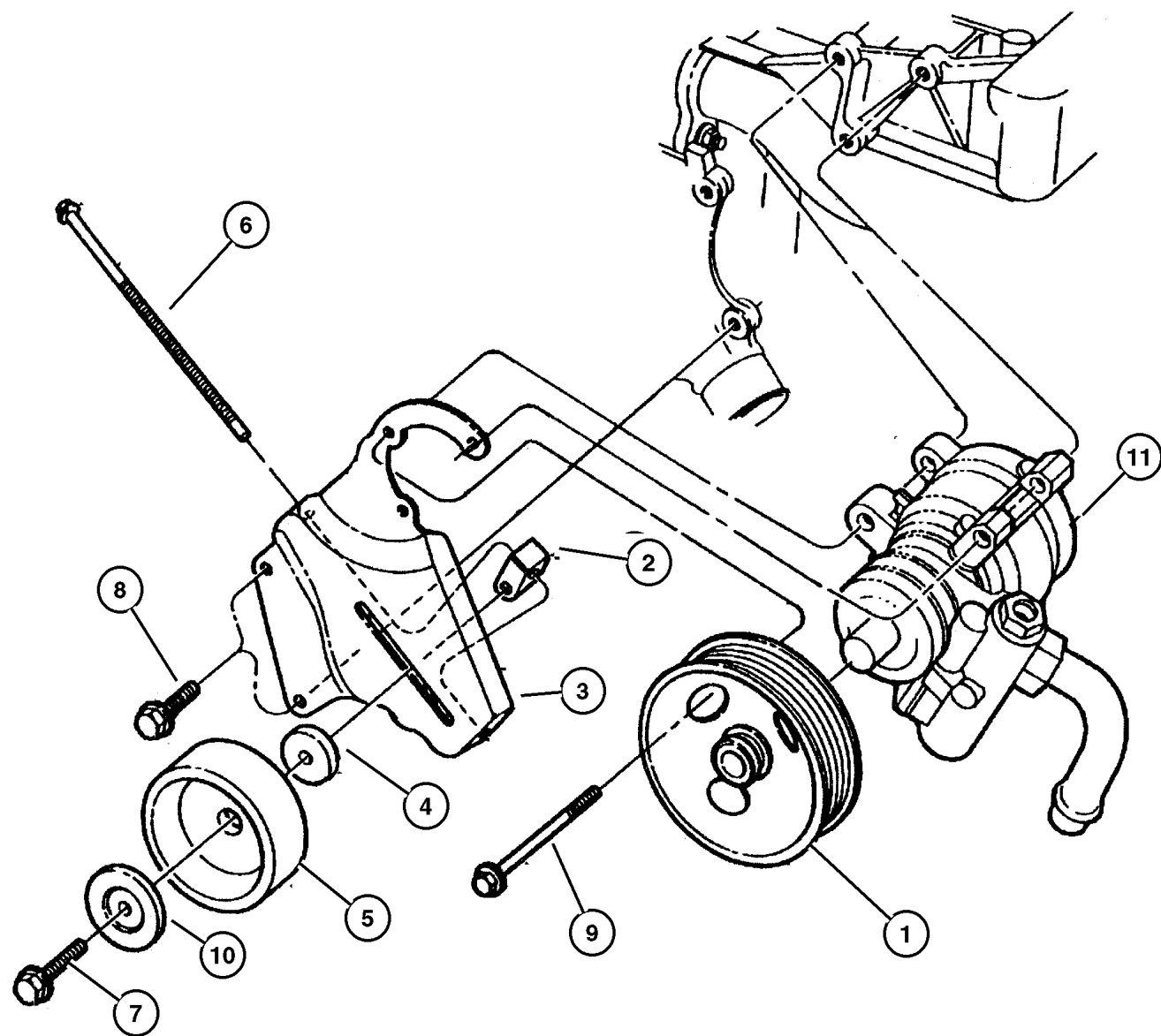
AR = Use as required - = Non illustrated part # = New this model year

April 5, 2002



**Pump and Mounting, with 2.5L Gas Engine**  
**Figure 019-530**

ITEM	PART NUMBER	QTY	LINE	SERIES	ENGINE	TRANS	DESCRIPTION
NOTES; EPO= ALL 2.5L GAS ENGINES nsmmission							
ERO= ALL 4.0L GAS ENGINES, nsmmission							
DGO= ALL AUTOMATIC TRANSMISSIONS nsmmission							
1	53010 258AB	1			EPO, ERO		PULLEY, Power Steering Pump
2	5301 0149	1			EPO		COLLAR, Tensioner Adjustment
3	5301 0148	1			EPO		BRACKET, Tensioner
4	6503 230	1	B, U		EPO		SPACER, Belt Tensioner
		1	J, T		EPO, ERO		
5	4792 112	1	B, U		EPO		PULLEY, Idler
		1	J, T		EPO, ERO		
6	6503 198	1			EPO		BOLT
7	3420 2029	1			EPO		BOLT, Hex Flange Head, M10x1.50x50
8	0181 112	1	J, T		EPO	DGO	SCREW AND WASHER, .375-16x1.00
9	6502 425	2			EPO		SCREW AND WASHER, Hex Head, M8x1.25x95
10	3300 2201	1			EPO		BUSHING, Idler Pulley
11	5208 8018	1			EPO		PUMP, Power Steering



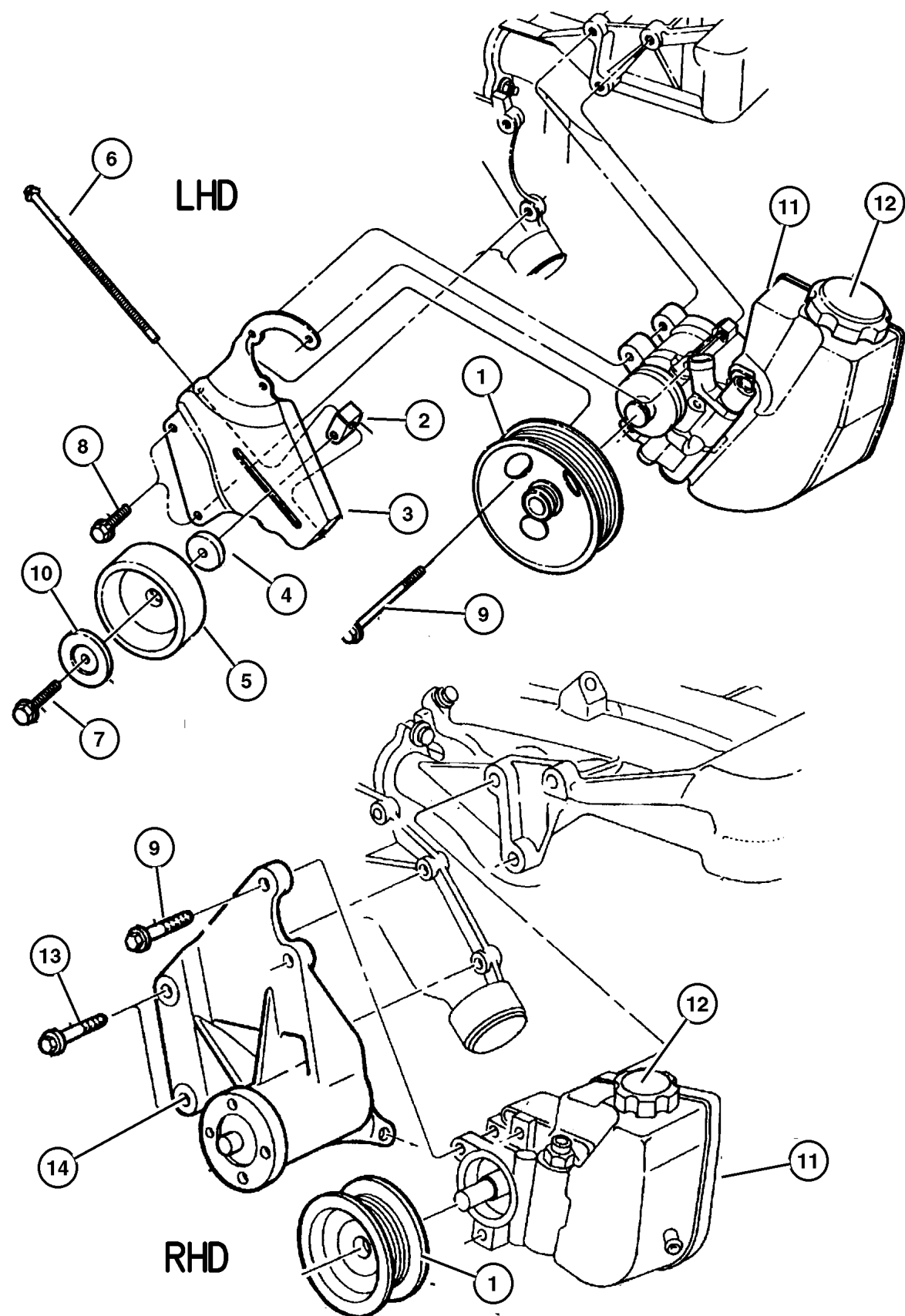
**JEEP CHEROKEE (XJ)**

SERIES	LINE	BODY	ENGINE	TRANSMISSION
P=Classic	J=LHD (4WD)	74=4 Dr.(101.4WB)	ENC,EN0=2.5L 4 cyl. Turbo Die	DDD, DDQ=5 spd. Man.
S=Limited	U=RHD (4WD)	72=2 Dr.(101.4WB)	ERH,ER0=4.0L Power Tech I-6	DGS=4 spd. Auto. AISIN
H=Sport	T=LHD (2WD)		EPE,EPO=Magnum 2.5L SMPI	DGO=All Auto/Trans.
L=SE	B=RHD (2WD)			DBB=All Manual Trans.

AR = Use as required - = Non illustrated part # = New this model year

April 5, 2002

**Pump and Mounting, with 4.0L Engine**  
**Figure 019-535**



ITEM	PART NUMBER	QTY	LINE	SERIES	ENGINE	TRANS	DESCRIPTION
NOTE; EPO= ALL 2.5L GAS ENGINES nsmission							
ERO= ALL 4.0L GAS ENGINES nsmission							
1	53010 258AB	1			EPO, ERO		PULLEY, Power Steering Pump
2	5301 0149	1	J, T		ERO		COLLAR, Tensioner Adjustment
3	5301 0148	1	J, T		ERO		BRACKET, Tensioner
	#53010 190AC	1	B, U		ERO		
4	6503 230	1	J, T		EPO, ERO		SPACER, Belt Tensioner
5	4792 112	1	J, T		EPO, ERO		PULLEY, Idler
	5300 2903	1			ERO		w/ Air Cond.
	53010 228AB	1	B, U		ERO		
6	6503 198	1	J, T		ERO		BOLT
7	3420 2029	1	J, T		ERO		BOLT, Hex Flange Head, M10x1.50x50
8							SCREW AND WASHER, .375-16x1.00, (NOT REQUIRED)
9	6502 425	2	J, T		ERO		SCREW AND WASHER, Hex Head, M8x1.25x95
		3	B, U		ERO		
10	3300 2201	1	J, T		ERO		BUSHING, Idler Pulley
		1	B, U		ERO		
11	52087 871AD	1	J, T		ERO		PUMP, Power Steering
	52088 139AC	1	B, U		ERO		
12	4897 287AA	1	J, T		ERO		CAP, Power Steering Reservoir
		1	B, U		ERO		
13	6025 063	2	J, T		ERO		SCREW AND WASHER, .375-16x1.125
		2	B, U		ERO		
14	5301 0243	1	B, U		ERO		BRACKET, Power Steering Pump

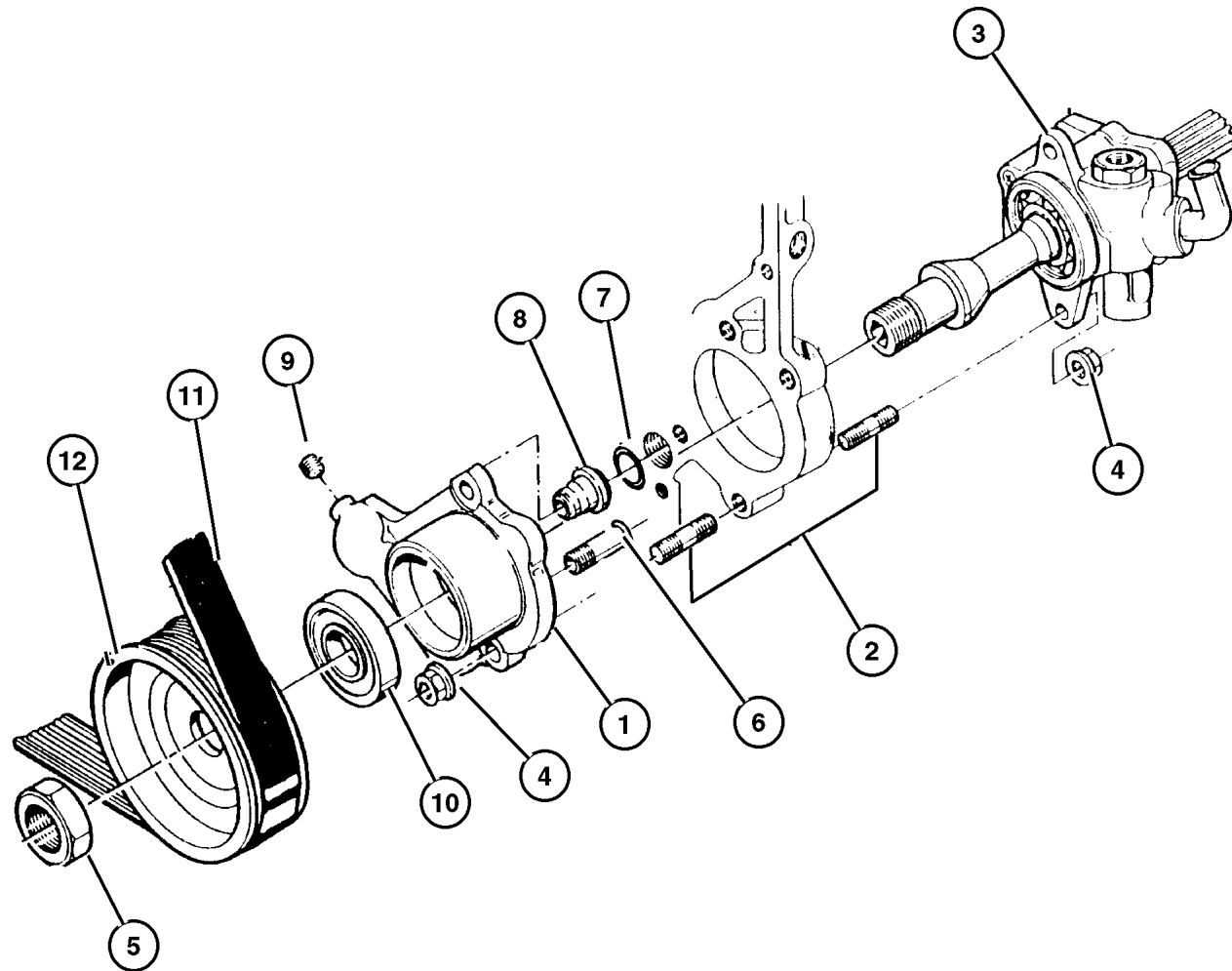
<b>JEEP CHEROKEE (XJ)</b>				
SERIES	LINE	BODY	ENGINE	TRANSMISSION
P=Classic	J=LHD (4WD)	74=4 Dr.(101.4WB)	ENC,EN0=2.5L 4 cyl. Turbo Die	DDD, DDQ=5 spd. Man.
S=Limited	U=RHD (4WD)	72=2 Dr.(101.4WB)	ERH,ER0=4.0L Power Tech I-6	DGS=4 spd. Auto. AISIN
H=Sport	T=LHD (2WD)		EPE,EP0=Magnum 2.5L SMPI	DG0=All Auto/Trans.
L=SE	B=RHD (2WD)			DBB=All Manual Trans.

AR = Use as required - = Non illustrated part # = New this model year

April 5, 2002

**Pump and Mounting, with 2.5L Diesel Engine  
Figure 019-545**

ITEM	PART NUMBER	QTY	LINE	SERIES	ENGINE	TRANS	DESCRIPTION
NOTES; ENO= ALL 2.5L DIESEL ENGINES nsmmission							
1	4883 461AA	1			ENO		SUPPORT, Power Steering Pump
2	4723 331	5			ENO		STUD, M8x25
3	4883 460AA	1			ENO		PUMP, Power Steering
4							NUT, Hex Lock, M8, (NOT SERVICED)
5							NUT, Power Steering Pump Pulley, (NOT SERVICED)
6	5003 548AA	1			ENO		PIPE, Vacuum Pump
7	4723 334	1			ENO		GASKET, Valve
8	4723 335	1			ENO		VALVE, Vacuum Pump
9	4883 425AA	1			ENO		PLUG
10	4723 339	1			ENO		BEARING, Power Steering Pump Shaft
11	4883 445AA	1			ENO		BELT, Accessory Drive
12	4796 034	1			ENO		PULLEY, Power Steering Pump



**JEEP CHEROKEE (XJ)**

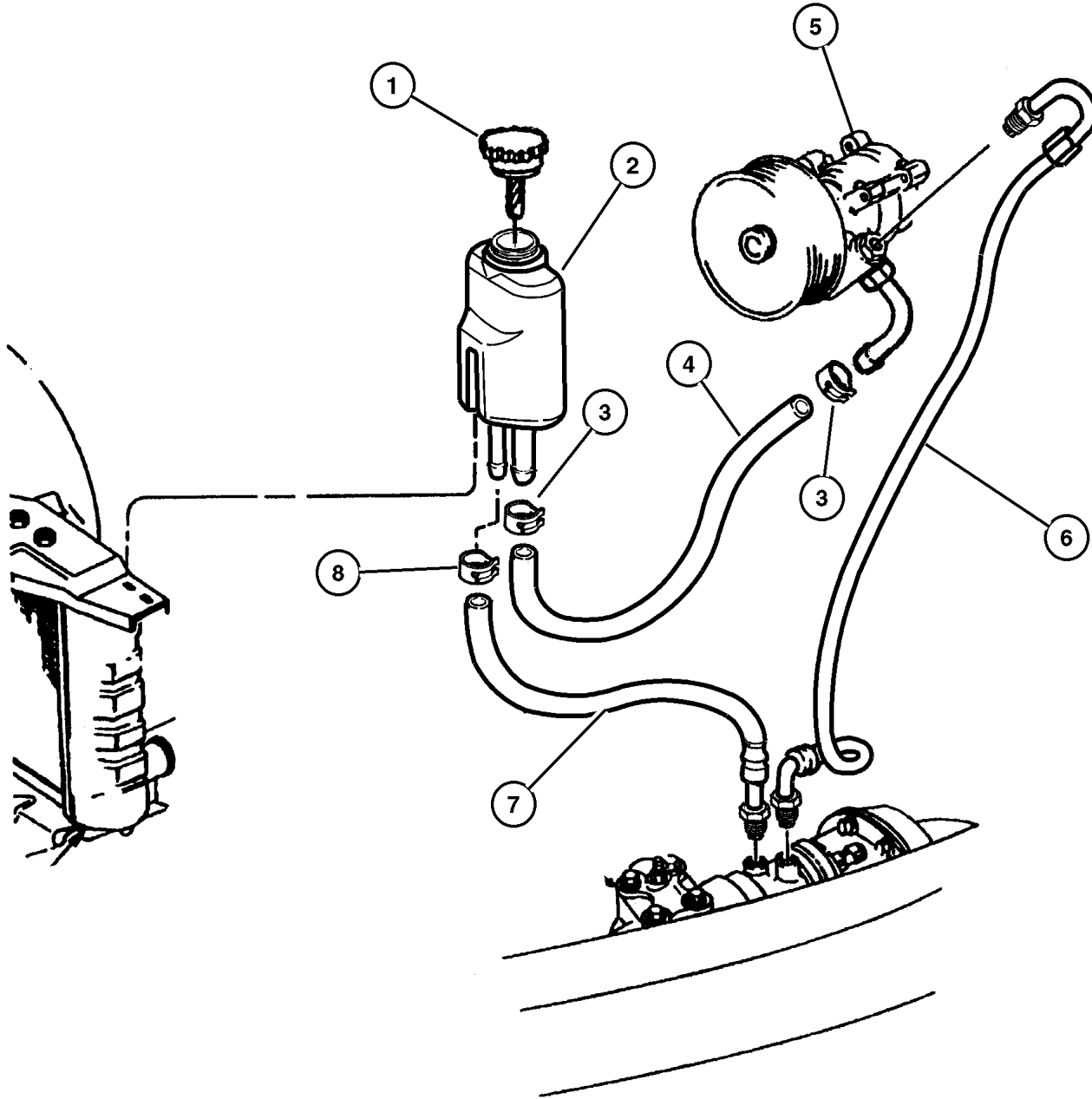
SERIES	LINE	BODY	ENGINE	TRANSMISSION
P=Classic	J=LHD (4WD)	74=4 Dr.(101.4WB)	ENC,ENO=2.5L 4 cyl. Turbo Die	DDD, DDQ=5 spd. Man.
S=Limited	U=RHD (4WD)	72=2 Dr.(101.4WB)	ERH,ER0=4.0L Power Tech I-6	DGS=4 spd. Auto. AISIN
H=Sport	T=LHD (2WD)		EPE,EP0=Magnum 2.5L SMPI	DG0=All Auto/Trans.
L=SE	B=RHD (2WD)			DBB=All Manual Trans.

AR = Use as required - = Non illustrated part # = New this model year

April 5, 2002

Hoses and Reservoir, 2.5L Gas Engine, Left Hand Drive  
Figure 019-715

ITEM	PART NUMBER	QTY	LINE	SERIES	ENGINE	TRANS	DESCRIPTION
NOTE; ENC= 2.5L TURBO DIESEL ENGINE nsmmission							
EPO= ALL 2.5L GAS ENGINES, nsmmission							
DGO= ALL AUTOMATIC TRANSMISSIONS nsmmission							
1	4694 766	1			ENC, EPO		CAP, Power Steering Pump
2	52087 713AC	1			ENC, EPO		RESERVOIR, Power Steering Pump
3	2448 761	2	J, T		EPO		CLAMP, Hose
4	5208 8541	1			EPO		HOSE, Power Steering Reservoir
5	5208 8018	1			EPO		PUMP, Power Steering
6	52088 387AC	1	J, T		EPE		HOSE, Power Steering Pressure
7	52003 135AB	1	J, T		EPO		HOSE, Power Steering Return
8	2448 770	1	J, T		EPO	DGO	CLAMP, Hose



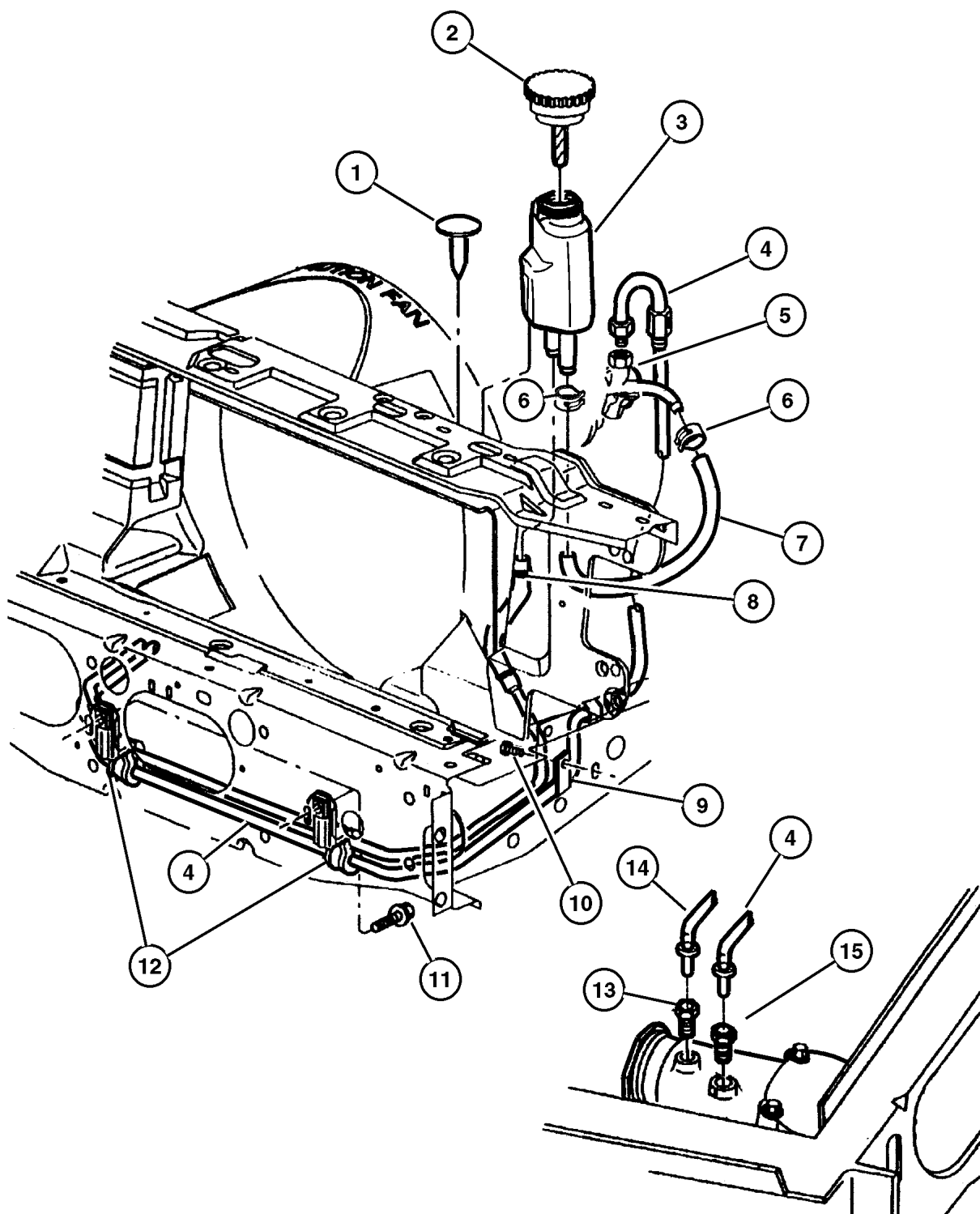
JEEP CHEROKEE (XJ)				
SERIES	LINE	BODY	ENGINE	TRANSMISSION
P=Classic	J=LHD (4WD)	74=4 Dr.(101.4WB)	ENC,EN0=2.5L 4 cyl. Turbo Die	DDD, DDQ=5 spd. Man.
S=Limited	U=RHD (4WD)	72=2 Dr.(101.4WB)	ERH,ER0=4.0L Power Tech I-6	DGS=4 spd. Auto. AISIN
H=Sport	T=LHD (2WD)		EPE,EP0=Magnum 2.5L SMPI	DG0=All Auto/Trans.
L=SE	B=RHD (2WD)			DBB=All Manual Trans.

AR = Use as required - = Non illustrated part # = New this model year

April 5, 2002

## Hoses and Reservoir, 2.5L Gas Engine, Right Hand Drive Figure 019-725

ITEM	PART NUMBER	QTY	LINE	SERIES	ENGINE	TRANS	DESCRIPTION
NOTE; ENC= 2.5L TURBO DIESEL ENGINE nsmission							
EPE= 2.5L POWER-TECH I-4 nsmission							
EPO= ALL 2.5L GAS ENGINES nsmission							
1	#52088 924AA	1			EPO		RETAINER
2	4694 766	1			ENC,		CAP, Power Steering Pump
3	52087 713AC	1			ENC,		RESERVOIR, Power Steering Pump
4	52088 388AC	1	B, U		EPE		HOSE, Power Steering Pressure
5	5208 8018	1			EPO		PUMP, Power Steering
6	2448 761	2	B, U		EPO		CLAMP, Hose
7	5208 8541	1			EPO		HOSE, Power Steering Reservoir
8	2448 761	2	B, U		EPO		CLAMP, Hose
9	3420 2697	1	B, U		EPO		CLIP, Oil Cooler Tube
10	0154 236	1	B, U		EPO		SCREW, Stake, .19-24
11	6503 270	2	B, U		EPO		SCREW, Hex Head, M8x1.25x30
12	4333 457	2	B, U		EPO		BRACKET, Power Steering Hose
13	5208 8116	1	B, U		ENC,		FITTING, Power Steering, Quick Connect
14	52088 166AD	1	B, U		EPO		HOSE, Power Steering Return
15	5203 7556	1	B, U		ENC,		FITTING, Power Steering, Quick Connect
					EPE		

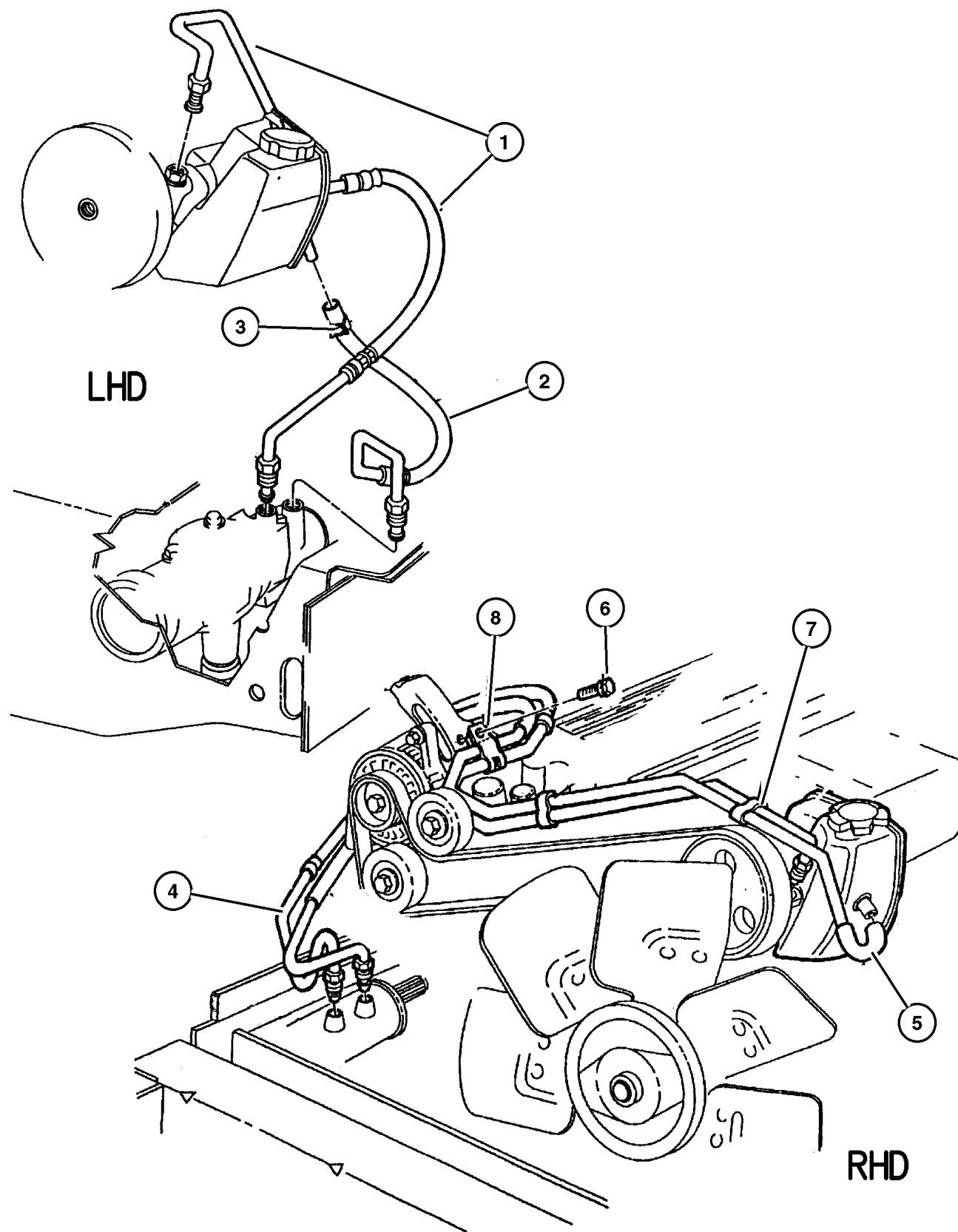


<b>JEEP CHEROKEE (XJ)</b>				
SERIES	LINE	BODY	ENGINE	TRANSMISSION
P=Classic	J=LHD (4WD)	74=4 Dr.(101.4WB)	ENC,EN0=2.5L 4 cyl. Turbo Die	DDD, DDQ=5 spd. Man.
S=Limited	U=RHD (4WD)	72=2 Dr.(101.4WB)	ERH,ER0=4.0L Power Tech I-6	DGS=4 spd. Auto. AISIN
H=Sport	T=LHD (2WD)		EPE,EP0=Magnum 2.5L SMPI	DG0=All Auto/Trans.
L=SE	B=RHD (2WD)			DBB=All Manual Trans.

AR = Use as required - = Non illustrated part # = New this model year

April 5, 2002

## Hoses and Reservoir, 4.0L Gas Engine Figure 019-740



ITEM	PART NUMBER	QTY	LINE	SERIES	ENGINE	TRANS	DESCRIPTION
------	-------------	-----	------	--------	--------	-------	-------------

NOTE; ERO= ALL 4.0L GAS ENGINES nsmmission

DGO= ALL AUTOMATIC TRANSMISSIONS nsmmission

1	5208 8489	1	J, T		ERO		HOSE, Power Steering Pressure
2	5203 7645	1	J, T		ERO		HOSE, Power Steering Return
3	2448 770	2	J, T		ERO	DGO	CLAMP, Hose
4	#52088 021AB	1	B, U		ERO		HOSE, Power Steering Pressure
5	#52087 975AB	1	B, U		ERO		HOSE, Power Steering Return
6	6502 946	1	B, U		ERO		SCREW, Heat Shield, M6x1.00x13.00
7	5208 7977	1	B, U		ERO		CLIP, Power Steering Hose
8	5208 7977	1	B, U		ERO		CLIP, Power Steering Hose

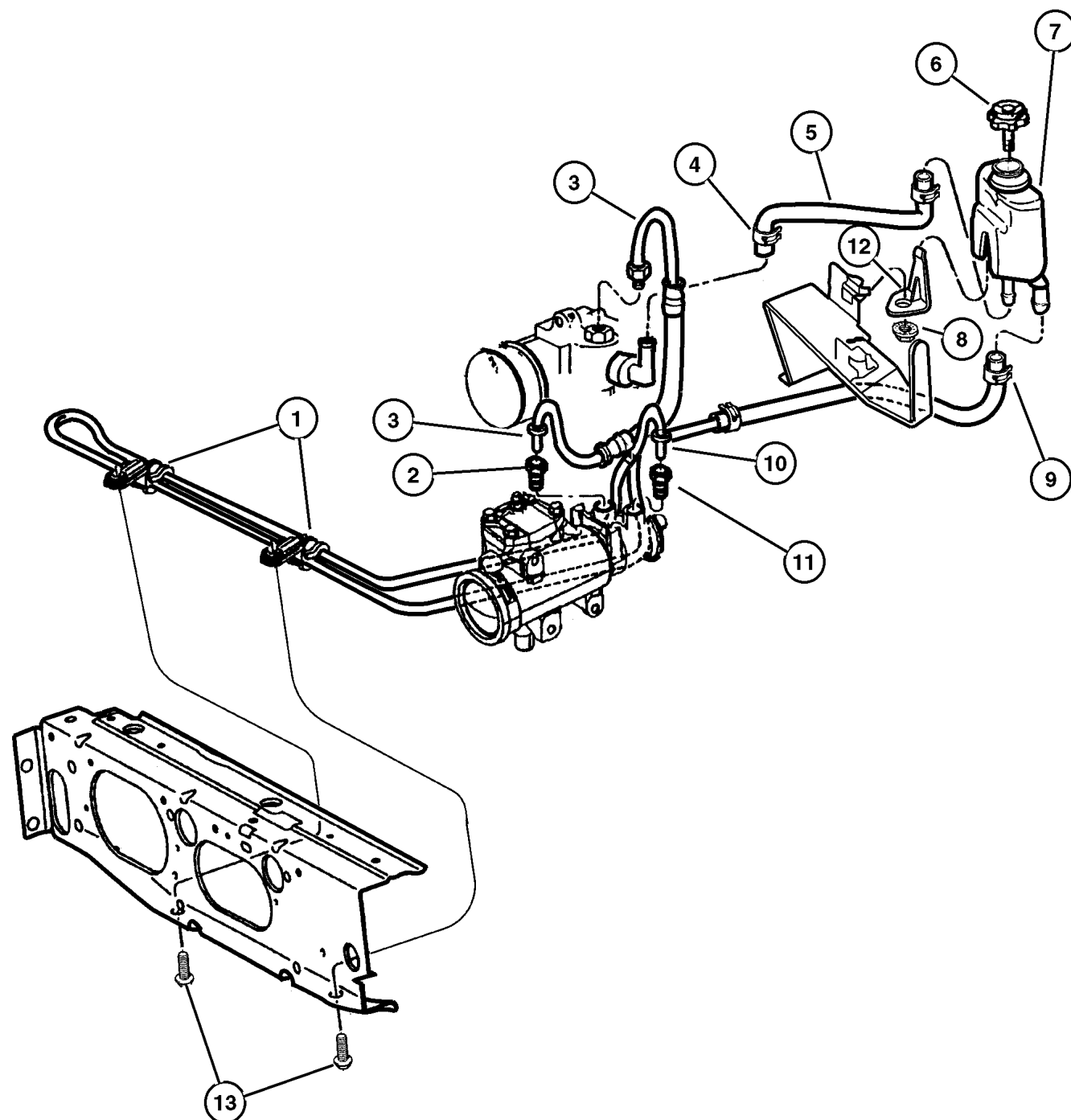
JEEP CHEROKEE (XJ)		BODY	ENGINE	TRANSMISSION
SERIES	LINE	74=4 Dr.(101.4WB)	ENC,EN0=2.5L 4 cyl. Turbo Die	DDD, DDQ=5 spd. Man.
P=Classic	J=LHD (4WD)	72=2 Dr.(101.4WB)	ERH,ER0=4.0L Power Tech I-6	DGS=4 spd. Auto. AISIN
S=Limited	U=RHD (4WD)		EPE,EP0=Magnum 2.5L SMPI	DGO=All Auto/Trans.
H=Sport	T=LHD (2WD)			DBB=All Manual Trans.
L=SE	B=RHD (2WD)			

AR = Use as required - = Non illustrated part # = New this model year

April 5, 2002

## Hoses and Reservoir, 2.5L Diesel Engine, Left Hand Drive Figure 019-745

ITEM	PART NUMBER	QTY	LINE	SERIES	ENGINE	TRANS	DESCRIPTION
NOTE; ENC= 2.5L TURBO DIESEL ENGINE nsmission							
EPO= ALL 2.5L AGS ENGINES nsmission							
1	5208 8109	2	J, T		ENC		BRACKET, Power Steering Hose
2	5203 7556	1	J, T		ENC		FITTING, Power Steering, Quick Connect
3	52087 783AC	1	J, T		ENC		HOSE, Power Steering Pressure
4							CLAMP, Power Steering Hose, Serviced in Hose, (NOT SERVICED)
5	52088 216AC	1			ENC		HOSE, Pump Supply
6	4694 766	1			ENC,		CAP, Power Steering Pump
7	52087 713AC	1			ENC, EPO		RESERVOIR, Power Steering Pump
8	6100 516	3			ENC		NUT, Hex Flange Lock, M6 Phosphate
9	2448 761	1	J, T		ENC		CLAMP, Hose
10	52088 184AC	1	J, T		ENC		HOSE, Power Steering Return
11	5203 7556	1	J, T		ENC		FITTING, Power Steering, Quick Connect
12	5208 7766	1			ENC		BRACKET, Power Steering Reservoir
13	6502 280	2	J, T		ENC		SCREW AND WASHER, Hex Head Special Point, M8x1.25x17



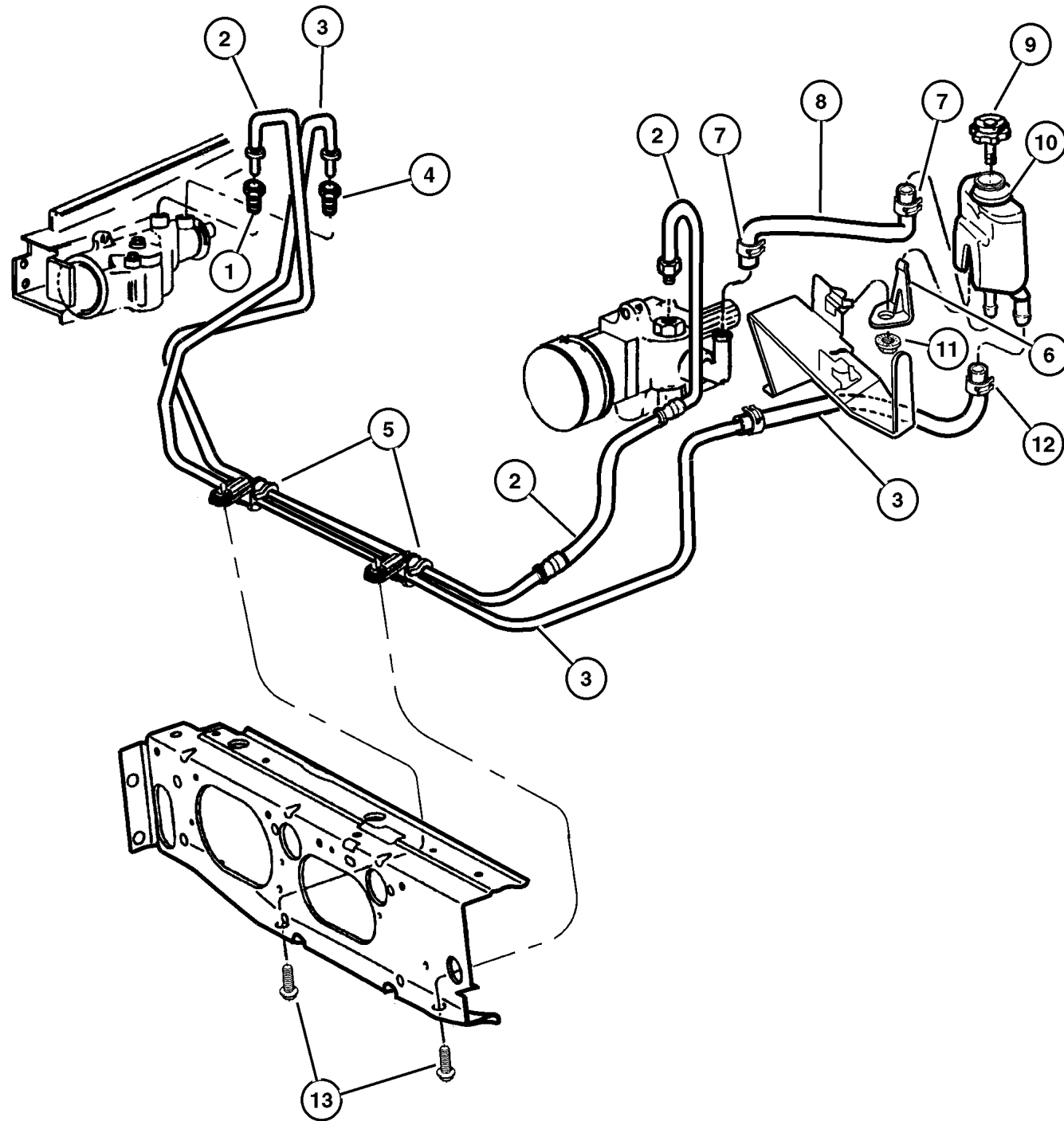
### JEEP CHEROKEE (XJ)

SERIES	LINE	BODY	ENGINE	TRANSMISSION
P=Classic	J=LHD (4WD)	74=4 Dr.(101.4WB)	ENC,EN0=2.5L 4 cyl. Turbo Die	DDD, DDQ=5 spd. Man.
S=Limited	U=RHD (4WD)	72=2 Dr.(101.4WB)	ERH,ER0=4.0L Power Tech I-6	DGS=4 spd. Auto. AISIN
H=Sport	T=LHD (2WD)		EPE,EP0=Magnum 2.5L SMPI	DG0=All Auto/Trans.
L=SE	B=RHD (2WD)			DBB=All Manual Trans.

AR = Use as required - = Non illustrated part # = New this model year

April 5, 2002

## Hoses and Reservoir, 2.5L Diesel Engine, Right Hand Drive Figure 019-755



ITEM	PART NUMBER	QTY	LINE	SERIES	ENGINE	TRANS	DESCRIPTION
NOTE; ENC= 2.5L TURBO DIESEL ENGINE nsmission							
EPO= ALL 2.5L GAS ENGINES nsmission							
DGO= ALL AUTOMATIC TRANSMISSIONS nsmission							
1	5203 7556	1	B, U		ENC, EPE		FITTING, Power Steering, Quick Connect, Pressure
2	5208 7886	1	B, U		ENC		HOSE, Power Steering Pressure
3	52087 892AB	1	B, U		ENC		HOSE, Power Steering Return
4	5208 8116	1	B, U		ENC, EPE		FITTING, Power Steering, Quick Connect, Return
5	5208 8109	1	B, U		ENC		BRACKET, Power Steering Hose
6	5208 7766	1			ENC		BRACKET, Power Steering Reservoir
7							CLAMP, Power Steering Hose, Serviced in Hose, (NOT SERVICED)
8	52088 216AC	1			ENC		HOSE, Pump Supply
9	4694 766	1			ENC, EPO		CAP, Power Steering Pump
10	52087 713AC	1			ENC, EPO		RESERVOIR, Power Steering Pump
11	6100 516	3			ENC		NUT, Hex Flange Lock, M6 Phosphate
12	2448 761	1	B, U		ENC		CLAMP, Hose
13	6501 648	4				DGO	SCREW, Hex Flange Head, M8x1.25x25.00

JEEP CHEROKEE (XJ)				
SERIES	LINE	BODY	ENGINE	TRANSMISSION
P=Classic	J=LHD (4WD)	74=4 Dr.(101.4WB)	ENC,EN0=2.5L 4 cyl. Turbo Die	DDD, DDQ=5 spd. Man.
S=Limited	U=RHD (4WD)	72=2 Dr.(101.4WB)	ERH,ER0=4.0L Power Tech I-6	DGS=4 spd. Auto. AISIN
H=Sport	T=LHD (2WD)		EPE,EP0=Magnum 2.5L SMPI	DG0=All Auto/Trans.
L=SE	B=RHD (2WD)			DBB=All Manual Trans.

AR = Use as required - = Non illustrated part # = New this model year

April 5, 2002



# Group – 30RH

## Automatic Transmission 3 Speed

### GROUP 30RH - Automatic Transmission 3 Speed

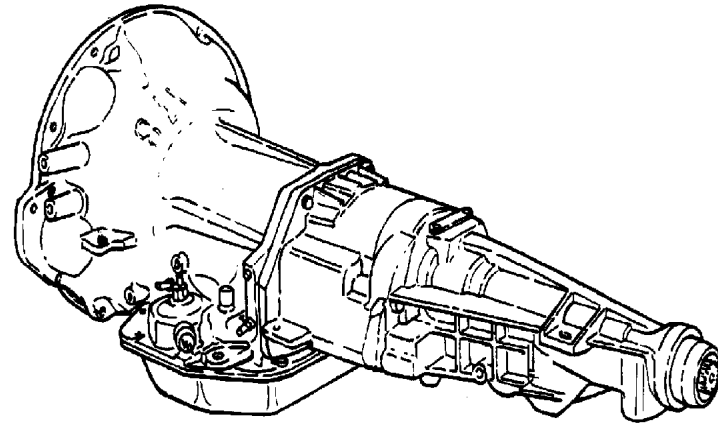


Illustration Title

Group-Fig. No.

#### Transmission Assembly

Transmission 30RH (DGD) ..... Fig. 30RH-110

#### Case and Extension

Case and Related Parts 30RH (DGD) ..... Fig. 30RH-210

#### Oil Pump

Oil Pump 30RH (DGD) ..... Fig. 30RH-310

#### Gear Train

Gear 30RH (DGD) ..... Fig. 30RH-410

Gear 30RH (DGD) ..... Fig. 30RH-420

#### Bands, Reverse and Kickdown

Bands 30RH (DGD) ..... Fig. 30RH-510

#### Governor

Governor 30RH (DGD) ..... Fig. 30RH-610

#### Valve Body

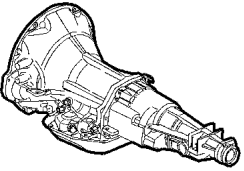
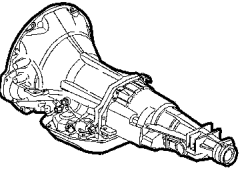

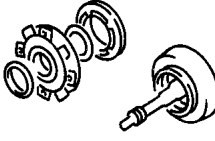
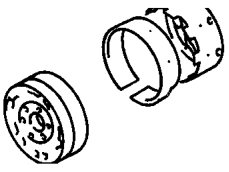
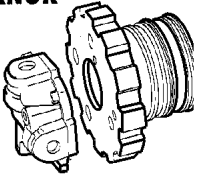
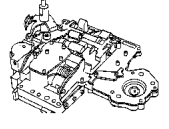
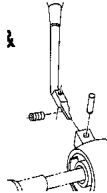
Valve Body 30 RH (DGD) ..... Fig. 30RH-710

Servos 30RH (DGD) ..... Fig. 30RH-720

Parking Sprag 30RH (DGD) ..... Fig. 30RH-730

#### Gearshift Controls

Gearshift Controls 30RH (DGD) ..... Fig. 30RH-1210

<p><b>30RH-100</b> Transmission Assembly</p> 	<p><b>30RH-200</b> Case and Extension</p> 	<p><b>30RH-300</b> Oil Pump</p> 	<p><b>30RH-400</b> Gear Train</p> 
<p><b>30RH-500</b> Bands, Reverse and Kickdown</p> 	<p><b>30RH-600</b> Governor</p> 	<p><b>30RH-700</b> Valve Body</p> 	<p><b>30RH-1200</b> Gearshift Controls</p> 

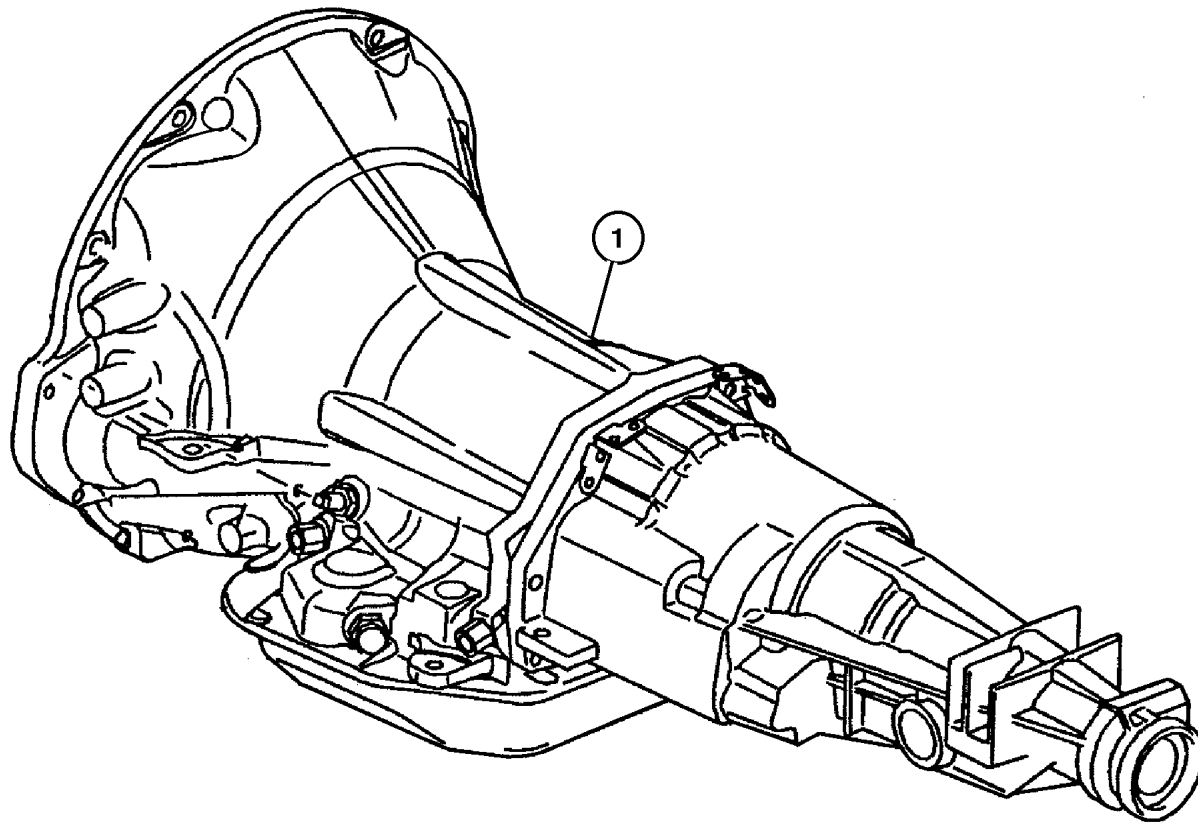
Transmission 30RH (DGD)  
Figure 30RH-110

ITEM	PART NUMBER	QTY	LINE	SERIES	ENGINE	TRANS	DESCRIPTION
------	-------------	-----	------	--------	--------	-------	-------------

Notes: nsmission

DGD = 30 RH 3 Speed Automatic Transmission nsmission

1	#5015 268AA	1	B, T			DGD	TRANSMISSION PACKAGE, 52119830AA (Package Contains 52119830AA Transmission, K4736388AA Converter, K6501099 Bolts)
---	-------------	---	------	--	--	-----	---



JEEP CHEROKEE (XJ)

SERIES	LINE	BODY	ENGINE	TRANSMISSION
P=Classic	J=LHD (4WD)	74=4 Dr.(101.4WB)	ENC,EN0=2.5L 4 cyl. Turbo Die	DDD, DDQ=5 spd. Man.
S=Limited	U=RHD (4WD)	72=2 Dr.(101.4WB)	ERH,ER0=4.0L Power Tech I-6	DGS=4 spd. Auto. AISIN
H=Sport	T=LHD (2WD)		EPE,EP0=Magnum 2.5L SMPI	DG0=All Auto/Trans.
L=SE	B=RHD (2WD)			DBB=All Manual Trans.

AR = Use as required - = Non illustrated part # = New this model year

April 5, 2002

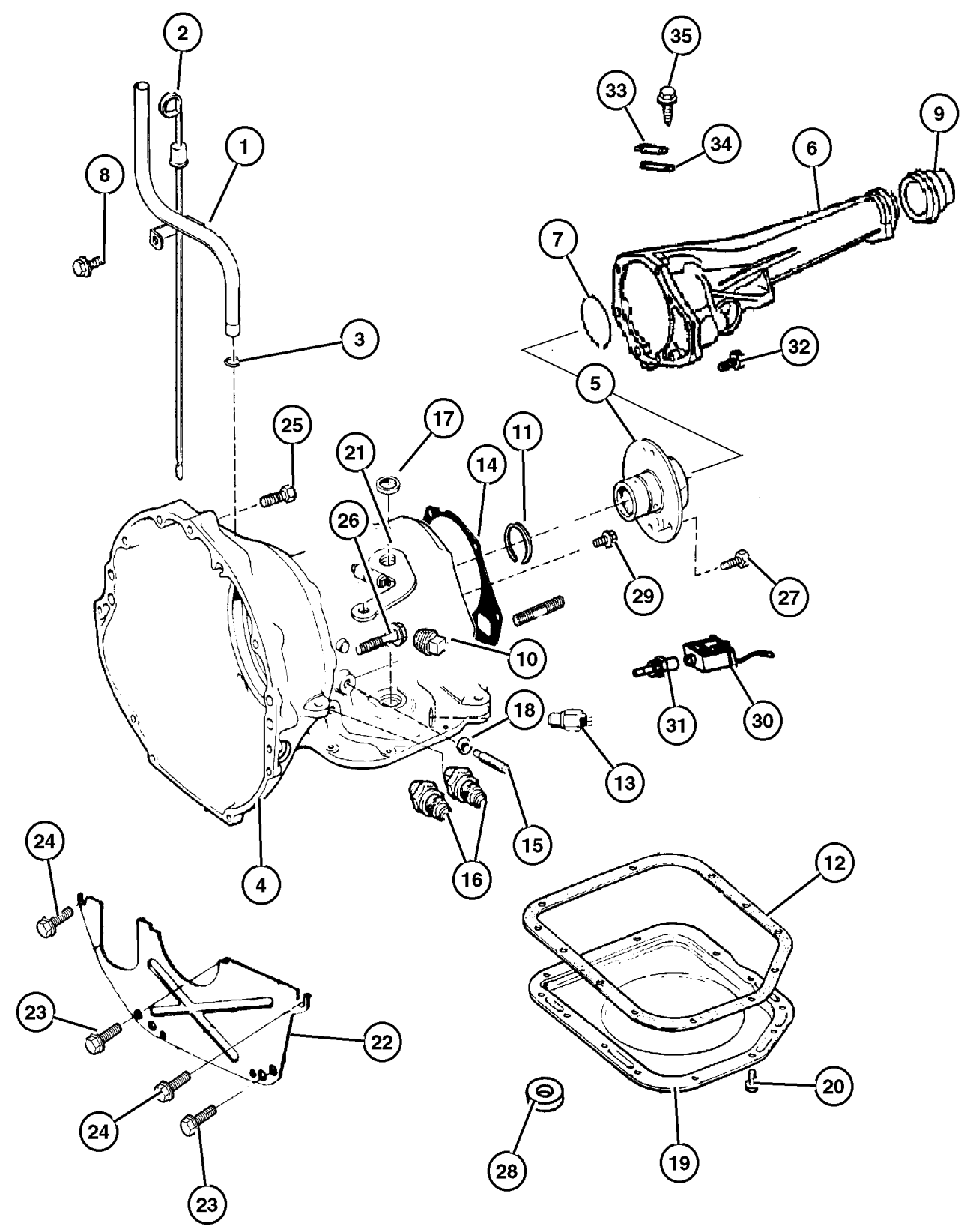
**Case and Related Parts 30RH (DGD)  
Figure 30RH-210**

ITEM	PART NUMBER	QTY	LINE	SERIES	ENGINE	TRANS	DESCRIPTION
Notes: nsmission							
DGO = All Automatic Transmissions nsmission							
DGD = 30 RH 3 Speed Automatic Transmission nsmission							
EPO = All 2.5L 4 Cylinder Gas Engines nsmission							
1	52104 244AB	1			EPO	DGO	TUBE, Transmission Oil Filler
2	52104 278AB	1			EPO	DGO	INDICATOR, Transmission Fluid Level
3	52118 629AB	1			EPO	DGO	SEAL, Oil Filler Tube
4	5211 8593	1	B, T			DGD	CASE, Transmission
5	4431 433	1	B, T			DGD	SUPPORT, Output Shaft
6	52118 835AA	1	B, T			DGD	CASE, Transmission Rear
7	2400 185	1	B, T			DGD	SNAP RING
8	J400 1701	AR					SCREW, Hex Self Tapping, .19-16x.50
9	4638 941	1	B, T			DGD	SEAL, Extension
10	6028 095	1	B, T			DGD	PLUG, Pressure Check
11	6033 480	1	B, T			DGD	SNAP RING, Reverse Drum
12	4295 875	1	B, T			DGD	GASKET, Oil Pan
13	56028 181AB	1	B, T			DGD	SWITCH, Neutral, Safety, Back Up
14	2466 954	1	B, T			DGD	GASKET, Transmission Case
15	6036 141AA	1	B, T			DGD	SCREW
16	6033 879	2	B, T			DGD	NUT, Inverted Flare, .62-18
17	4505 098	1	B, T			DGD	SEAL, Manual Shift Valve, 1.25 OD
18							NUT, (NOT SERVICED)
19	5211 8802	1	B, T			DGD	PAN, Transmission Oil
20	4723 548	14	B, T			DGD	SCREW AND WASHER, Hex Head, .312-18x.625
21	5300 3090	1	J, T		EPO	DGD	LEVER, Selector
22	2466 957	1	B, T			DGD	COVER, Transmission Converter
23							BOLT, (NOT SERVICED)
24	1150 2628	2				DGD	BOLT, Hex Flange Head, M8x1.25x30
25							BOLT, (NOT SERVICED)
26	3420 1837	1				DGD	BOLT, Hex Flange Head, M12x1.75x90
27	6033 479	6	B, T			DGD	BOLT, Hex Head, .25-28x1-5/8
28	3681 601	1	B, T			DGD	MAGNET, Transmission
29	6033 616	5	B, T			DGD	SCREW, Hex Flange Head, .25-28x.875
30	5211 8595	1	B, T			DGD	SOLENOID, Transmission
31	5603 8235	1	B, T			DGD	CONNECTOR, Wiring
32	6029 531	6	B, T			DGD	SCREW, Hex Flange Head Lock, .375-16x1.25
33	2466 957	1	B, T			DGD	COVER, Transmission Converter
34	2801 398	1	B, T			DGD	GASKET, Transmission
35	6028 022	2	B, T			DGD	SCREW, Flange Head Locking, .25-20x.62

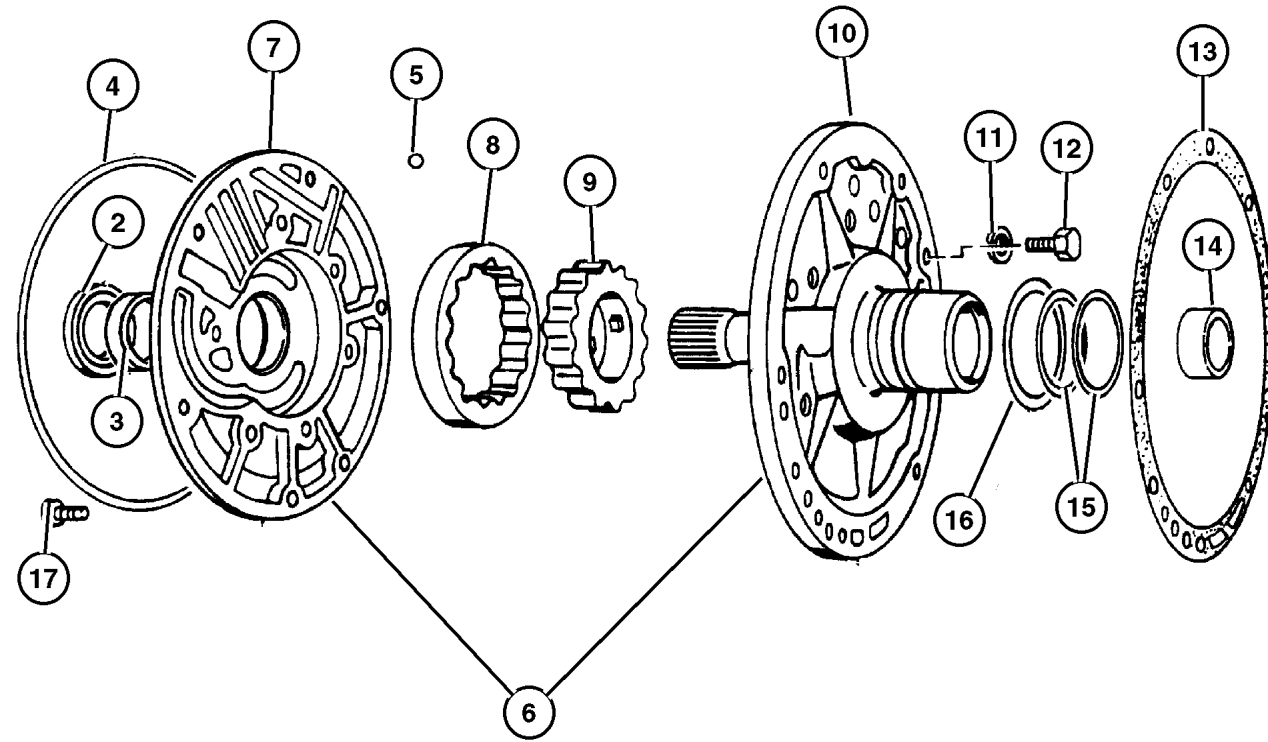
JEEP CHEROKEE (XJ)				
SERIES	LINE	BODY	ENGINE	TRANSMISSION
P=Classic	J=LHD (4WD)	74=4 Dr.(101.4WB)	ENC,EN0=2.5L 4 cyl. Turbo Die	DDD, DDQ=5 spd. Man.
S=Limited	U=RHD (4WD)	72=2 Dr.(101.4WB)	ERH,ER0=4.0L Power Tech I-6	DGS=4 spd. Auto. AISIN
H=Sport	T=LHD (2WD)		EPE,EPO=Magnum 2.5L SMPI	DGO=All Auto/Trans.
L=SE	B=RHD (2WD)			DBB=All Manual Trans.

AR = Use as required - = Non illustrated part # = New this model year

April 5, 2002



**Oil Pump 30RH (DGD)  
Figure 30RH-310**



ITEM	PART NUMBER	QTY	LINE	SERIES	ENGINE	TRANS	DESCRIPTION
Notes: nsmission							
DGD = 30 RH 3 Speed Automatic Transmission nsmission							
-1	4713 108AB	1	B, T			DGD	GASKET AND SEAL PACKAGE, Transmission Oil Pump
2	4412 475	1	B, T			DGD	SEAL, Impeller Hub, 57.25mm OD
3	2466 796	1	B, T			DGD	BUSHING, Front Pump
4	2204 709	1	B, T			DGD	SEAL, Front Pump Housing
5	0104 918	3	B, T			DGD	BALL, Valve Body Check
6	52118 267AB	1	B, T			DGD	PUMP, Transmission Oil
7							HOUSING, Pump, (NOT SERVICED)
8							ROTOR, Oil Pump, (NOT SERVICED)
9							ROTOR, Oil Pump, (NOT SERVICED)
10							SHAFT, Oil Pump, (NOT SERVICED)
11							LOCK WASHER, (NOT SERVICED)
12	0179 815	6	B, T			DGD	SCREW, Hex Head, .312-18x.687
13	5211 8266	1	B, T			DGD	GASKET, Transmission Oil Pump
14	4058 635	1	B, T			DGD	BUSHING, Reaction Shaft
15	4471 874	2	B, T			DGD	SEAL, Ring Reaction Support, 2 1/16 O.D.
16	4617 786	1	B, T			DGD	THRUST WASHER, Front Clutch
17	6023 943	7	B, T			DGD	SCREW AND WASHER, Hex Flange Head, .312-18x1.375

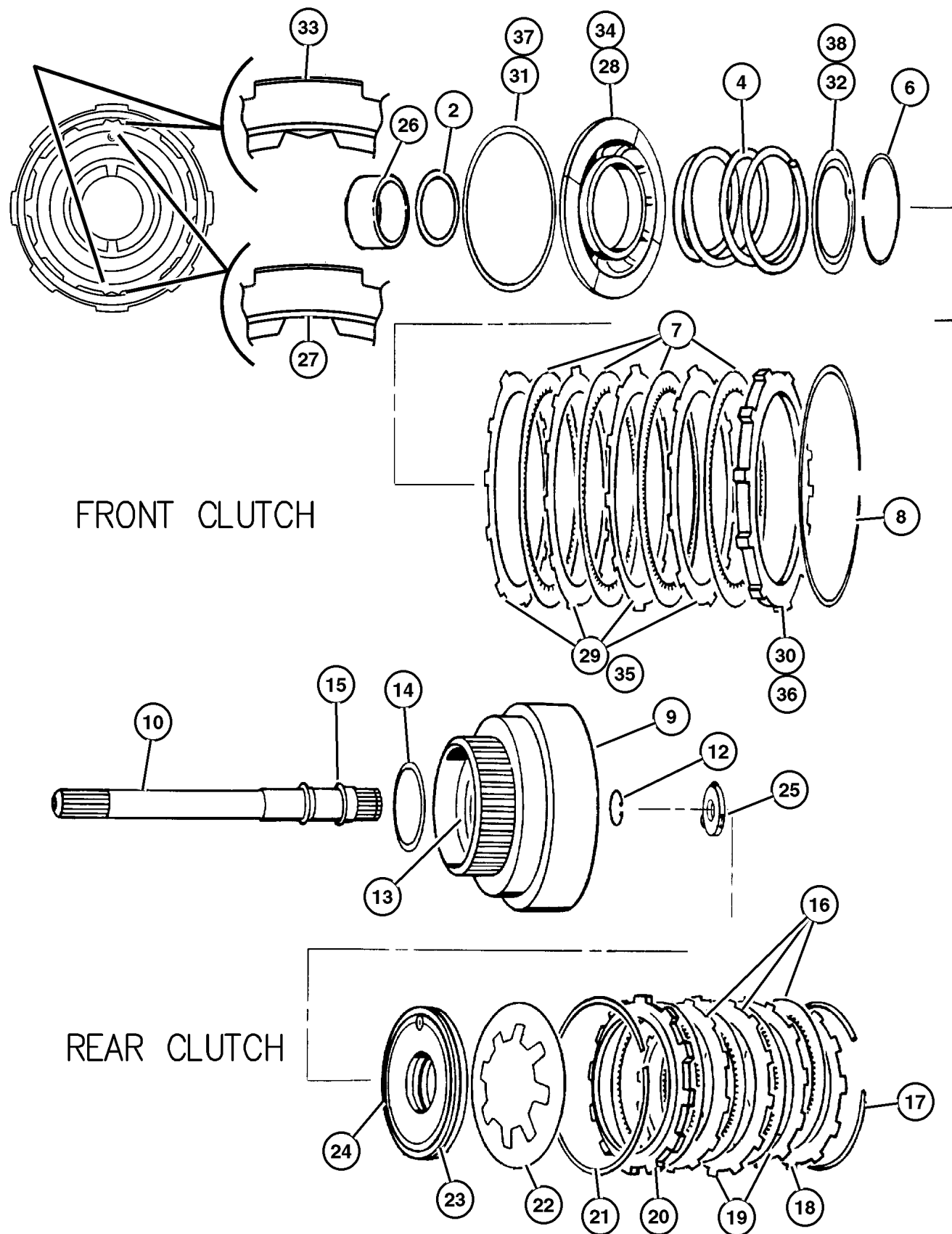
**JEEP CHEROKEE (XJ)**

SERIES	LINE	BODY	ENGINE	TRANSMISSION
P=Classic	J=LHD (4WD)	74=4 Dr.(101.4WB)	ENC,EN0=2.5L 4 cyl. Turbo Die	DDD, DDQ=5 spd. Man.
S=Limited	U=RHD (4WD)	72=2 Dr.(101.4WB)	ERH,ER0=4.0L Power Tech I-6	DGS=4 spd. Auto. AISIN
H=Sport	T=LHD (2WD)		EPE,EP0=Magnum 2.5L SMPI	DG0=All Auto/Trans.
L=SE	B=RHD (2WD)			DBB=All Manual Trans.

AR = Use as required - = Non illustrated part # = New this model year

April 5, 2002

Gear 30RH (DGD)  
Figure 30RH-410



ITEM	PART NUMBER	QTY	LINE	SERIES	ENGINE	TRANS	DESCRIPTION
Notes: nsmission							
DGD = 30 RH 3 Speed Automatic Transmission nsmission							
EPO = All 2.5L 4 Cylinder Gas Engines nsmission							
-1	#5252 926AB	1	B, T			DGD	SEAL PACKAGE, Transmission Clutch
2	3515 176	1	B, T			DGD	SEAL, Front Clutch Piston
-3	0147 483	1	B, T			DGD	CHECK BALL, Dia-.187
4	3515 054	1	B, T			DGD	SPRING, Front Clutch
-5	0147 483	1	B, T			DGD	CHECK BALL, Dia-.187
6	1942 400	1	B, T			DGD	SNAP RING
7	4617 362	4	B, T			DGD	DISC, Direct Clutch
8	2464 464	1	B, T			DGD	SNAP RING
9	4505 195	1	B, T			DGD	RETAINER, Transmission Rear Clutch
10							SHAFT, Input, (NOT SERVICED)
-11	0147 483	1	B, T			DGD	CHECK BALL, Dia-.187
12	6022 859	1	B, T			DGD	SNAP RING, .890625
13	4028 333	1	B, T			DGD	SEAL, Rear Clutch, 1.50 ODx.009 Thk
14	4617 786	1	B, T			DGD	THRUST WASHER, Front Clutch
15	1401 221AB	1	B, T			DGD	SEAL, Input Shaft
16	4713 880	3	B, T			DGD	DISC, Clutch
17	5014 226AA	1	B, T			DGD	SNAP RING PACKAGE, Transmission
18	#4617 176AB	1	B, T			DGD	PLATE, Transmission Clutch Reaction
19	1942 403AB	2	B, T			DGD	PLATE, Clutch Separator
20	2466 281	1	B, T			DGD	PLATE, Clutch Pressure
21	2466 283	1	B, T			DGD	SPRING, Rear Clutch
22	4728 487	1	B, T			DGD	SPRING, Rear Clutch Piston
23	2538 510	1	B, T			DGD	SEAL, Rear Clutch Piston
24	3515 716	1	B, T			DGD	PISTON, Clutch
25	4505 185	1	B, T			DGD	THRUST WASHER, Output Shaft, Gray .052
26	4617 157	1	B, T			DGD	BUSHING, Front Clutch
27	4531 285	1	B, T			DGD	RETAINER AND BUSHING, Transmission Front Clutch, Up to 01 -07-2000
28	4617 154	1	B, T			DGD	PISTON, Clutch
29	1942 403AC	4	B, T			DGD	PLATE, Clutch Separator
30	4617 176	1	B, T			DGD	PLATE, Transmission Clutch Reaction
31	4058 487	1	B, T			DGD	SEAL, Front Piston Clutch
32	4617 516AB	1	B, T			DGD	RETAINER, Transmission Front Clutch Piston Spring
33	#4531 285AB	1	B, T			DGD	RETAINER AND BUSHING, Transmission Front Clutch, From 01 -07-2000
34	4617 154AB	1	B, T			DGD	PISTON, Clutch
35	1942 403AC	4	B, T			DGD	PLATE, Clutch Separator
36	4617 176AB	1	B, T			DGD	PLATE, Transmission Clutch Reaction

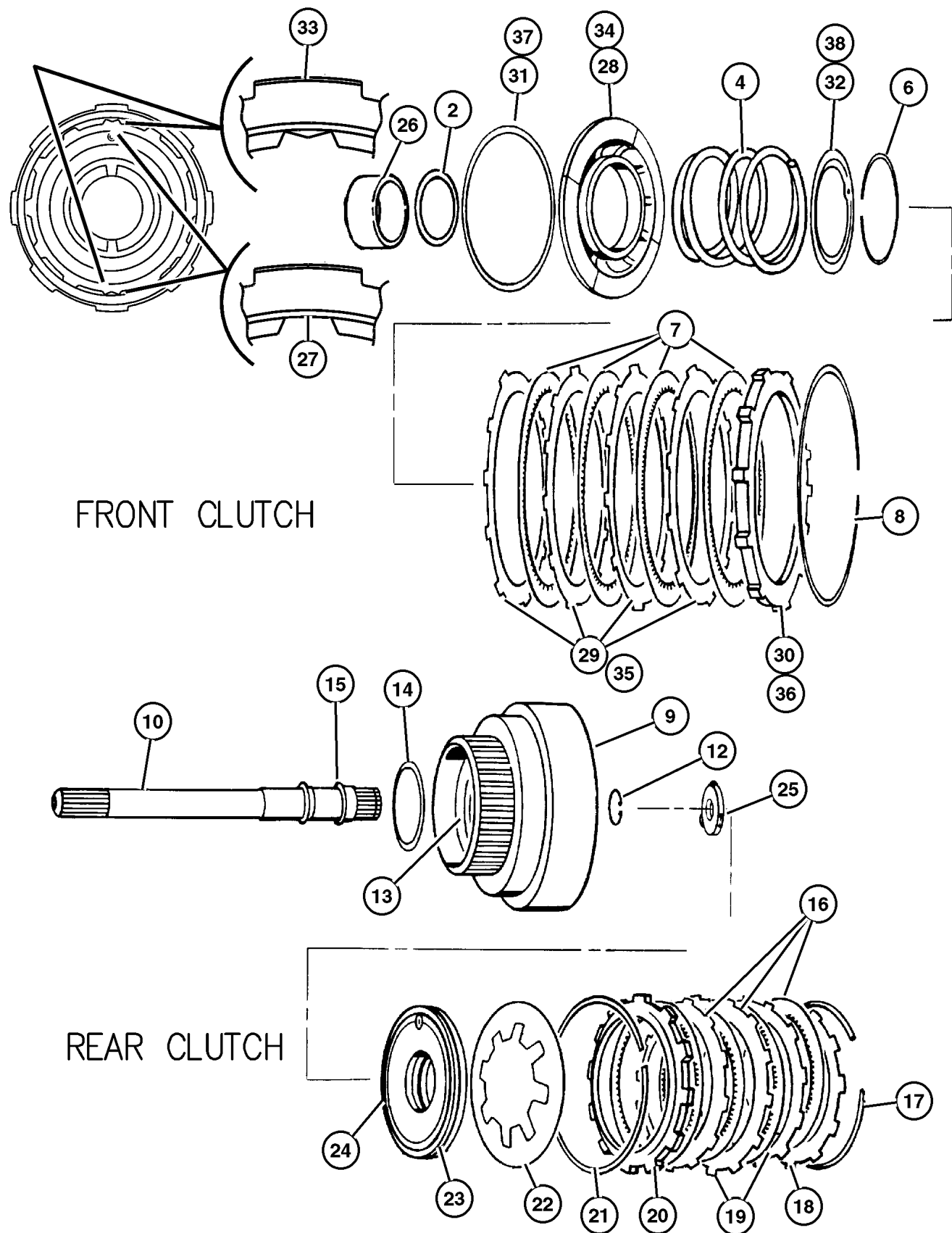
JEEP CHEROKEE (XJ)

SERIES	LINE	BODY	ENGINE	TRANSMISSION
P=Classic	J=LHD (4WD)	74=4 Dr.(101.4WB)	ENC,EN0=2.5L 4 cyl. Turbo Die	DDD, DDQ=5 spd. Man.
S=Limited	U=RHD (4WD)	72=2 Dr.(101.4WB)	ERH,ER0=4.0L Power Tech I-6	DGS=4 spd. Auto. AISIN
H=Sport	T=LHD (2WD)		EPE,EP0=Magnum 2.5L SMPI	DG0=All Auto/Trans.
L=SE	B=RHD (2WD)			DBB=All Manual Trans.

AR = Use as required - = Non illustrated part # = New this model year

April 5, 2002

**Gear 30RH (DGD)  
Figure 30RH-410**



ITEM	PART NUMBER	QTY	LINE	SERIES	ENGINE	TRANS	DESCRIPTION
------	-------------	-----	------	--------	--------	-------	-------------

37	4058 487AB	1	B, T			DGD	SEAL, Front Piston Clutch
38	4617 516AC	1	B, T			DGD	RETAINER, Transmission Front Clutch Piston Spring

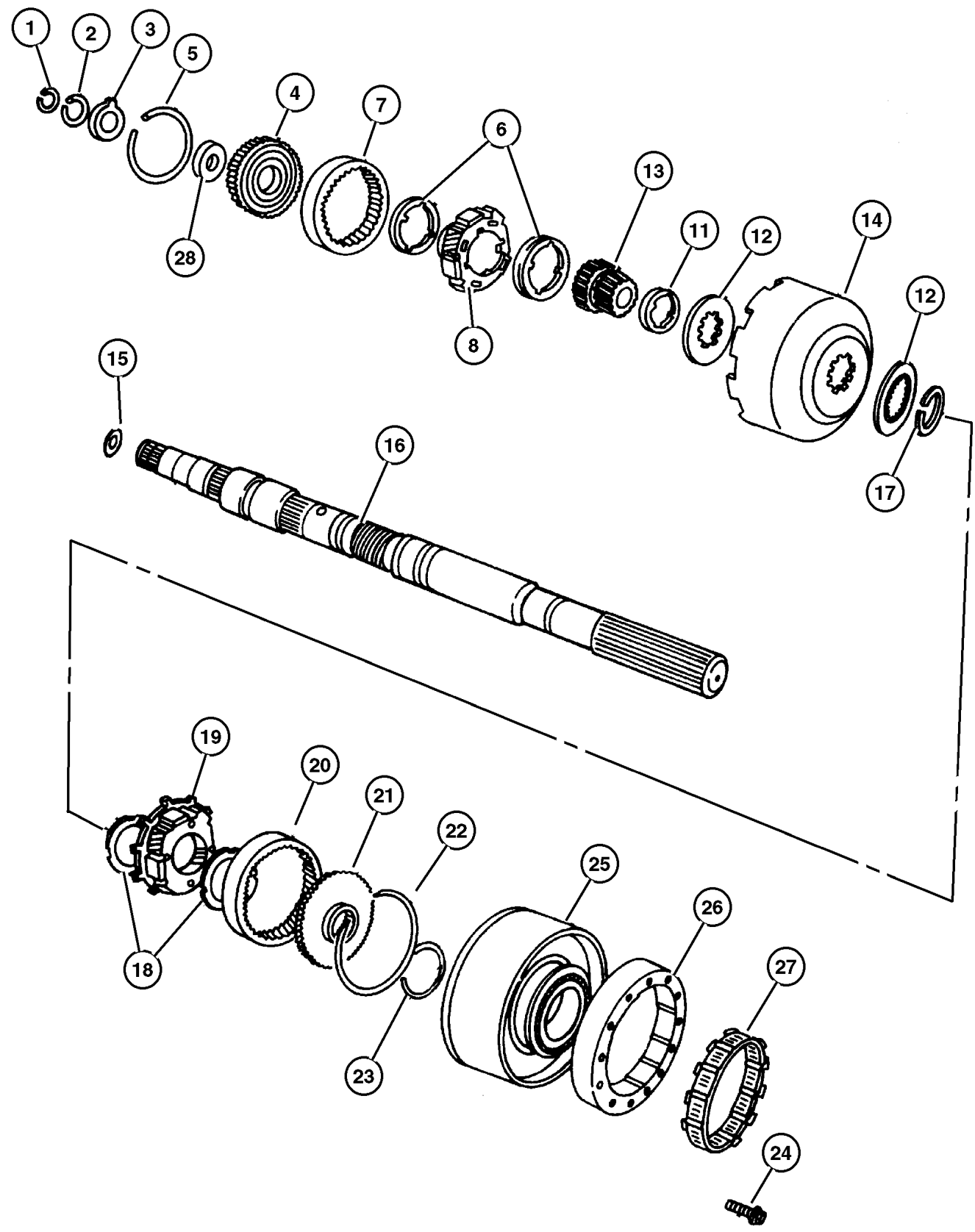
JEEP CHEROKEE (XJ)		BODY	ENGINE	TRANSMISSION
SERIES	LINE	74=4 Dr.(101.4WB)	ENC,EN0=2.5L 4 cyl. Turbo Die	DDD, DDQ=5 spd. Man.
P=Classic	J=LHD (4WD)	72=2 Dr.(101.4WB)	ERH,ER0=4.0L Power Tech I-6	DGS=4 spd. Auto. AISIN
S=Limited	U=RHD (4WD)		EPE,EP0=Magnum 2.5L SMPI	DG0=All Auto/Trans.
H=Sport	T=LHD (2WD)			DBB=All Manual Trans.
L=SE	B=RHD (2WD)			

AR = Use as required - = Non illustrated part # = New this model year

April 5, 2002

**Gear 30RH (DGD)  
Figure 30RH-420**

ITEM	PART NUMBER	QTY	LINE	SERIES	ENGINE	TRANS	DESCRIPTION
Notes: nsmission							
DGD = 30 RH 3 Speed Automatic Transmission nsmission							
1	6026 289	1	B, T			DGD	SNAP RING, .946 ID
2	6030 576	1	B, T			DGD	SNAP RING, Annulus Gear, 1.375 ID
3	3681 969	1	B, T			DGD	THRUST WASHER, Annulus Gear
4	4617 774	1	B, T			DGD	SUPPORT, Annulus Gear
5	6030 576	1	B, T			DGD	SNAP RING, Annulus Gear, 1.375 ID
6	4130 518	2	B, T			DGD	THRUST WASHER, Planetary Carrier
7	4130 512	1	B, T			DGD	GEAR, Front Annulus
8	4130 514	1	B, T			DGD	CARRIER, Planetary Pinion, Front
-9	3681 949	8	B, T			DGD	THRUST WASHER, Planet Pinion
-10	3743 664	76	B, T			DGD	ROLLER, Front and Rear Pinion
11	4130 736	1	B, T			DGD	SPACER, Sun Gear
12	4471 566	2	B, T			DGD	PLATE, Transmission Module
13	4130 685	1	B, T			DGD	GEAR, Sun
14	4531 288	1	B, T			DGD	SHELL, Sun Gear
15	4505 188	1	B, T			DGD	PLATE, Transmission Module
16	4617 318	1	B, T			DGD	MAINSHAFT, Transmission
17	1942 439	1	B, T			DGD	SNAP RING, Sun Gear Shell
18	4130 518	2	B, T			DGD	THRUST WASHER, Planetary Carrier
19	4431 438	1	B, T			DGD	CARRIER, Planetary Pinion, Rear
20	3743 184	1	B, T			DGD	GEAR, Rear Annulus
21	3515 501	1	B, T			DGD	SUPPORT, Annulus Gear
22	1942 444	1	B, T			DGD	SNAP RING
23	6033 480	1	B, T			DGD	SNAP RING, Reverse Drum
24	6033 616	5	B, T			DGD	SCREW, Hex Flange Head, .25-28x.875
25	4637 956	1	B, T			DGD	DRUM PACKAGE, Transmission
26	4431 690	1	B, T			DGD	CAM, Overrunning Clutch
27	4431 432	1	B, T			DGD	CLUTCH, Overrunning
28	4617 775	1	B, T			DGD	PLATE, Annulus Gear Thrust

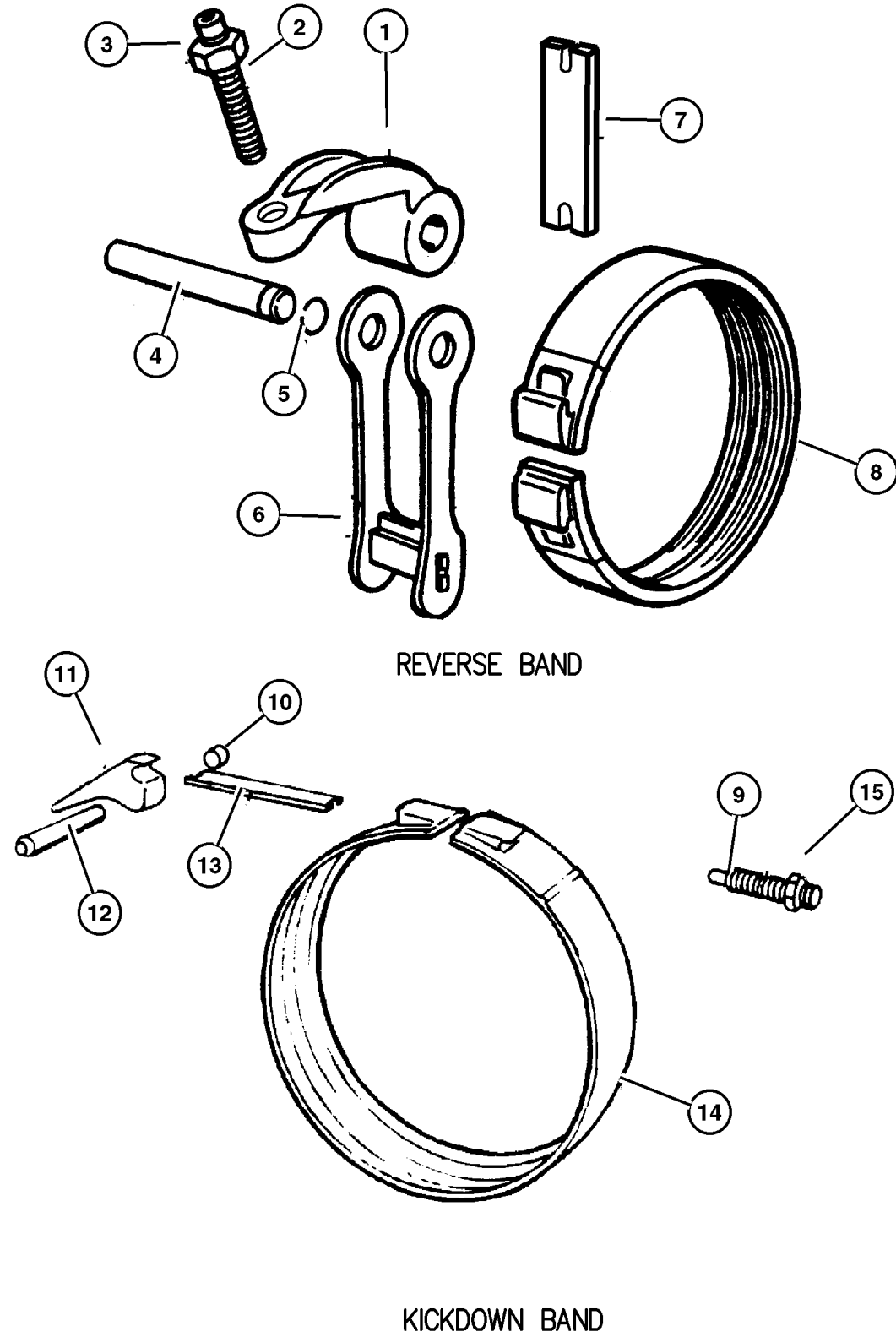


JEEP CHEROKEE (XJ)				
SERIES	LINE	BODY	ENGINE	TRANSMISSION
P=Classic	J=LHD (4WD)	74=4 Dr.(101.4WB)	ENC,EN0=2.5L 4 cyl. Turbo Die	DDD, DDQ=5 spd. Man.
S=Limited	U=RHD (4WD)	72=2 Dr.(101.4WB)	ERH,ER0=4.0L Power Tech I-6	DGS=4 spd. Auto. AISIN
H=Sport	T=LHD (2WD)		EPE,EP0=Magnum 2.5L SMPI	DG0=All Auto/Trans.
L=SE	B=RHD (2WD)			DBB=All Manual Trans.

AR = Use as required - = Non illustrated part # = New this model year

April 5, 2002

**Bands 30RH (DGD)  
Figure 30RH-510**



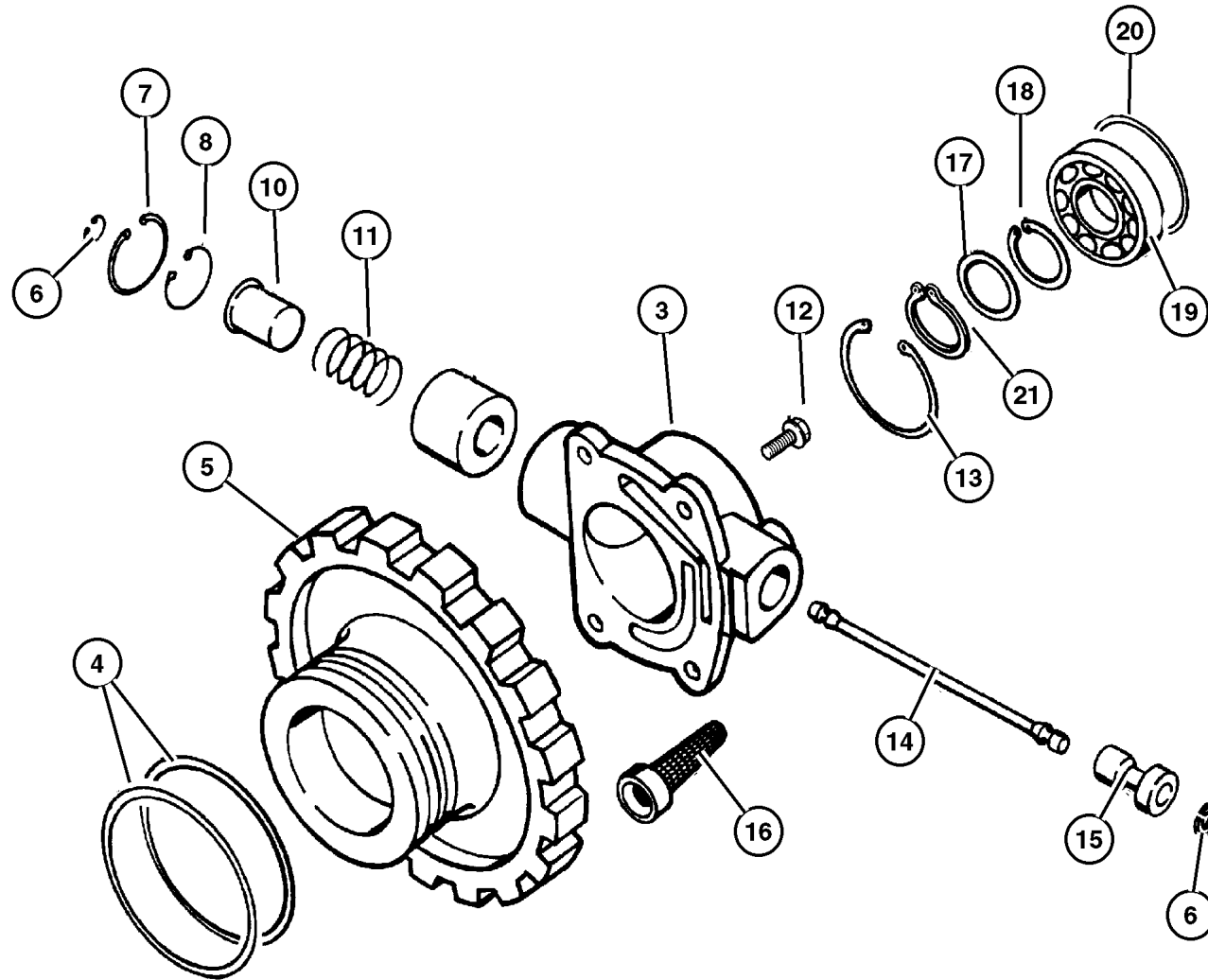
ITEM	PART NUMBER	QTY	LINE	SERIES	ENGINE	TRANS	DESCRIPTION
Notes: nsmission							
DGD = 30 RH 3 Speed Automatic Transmission nsmission							
1	3681 139	1	B, T			DGD	LEVER, Reverse Band
2	6030 704	1	B, T			DGD	SCREW, Cap, .437-20x1.812
3	0271 506	1	B, T			DGD	NUT, Hex, .42-20
4	3410 102	1	B, T			DGD	SHAFT, Reverse Band
5	6030 657	1	B, T			DGD	O RING, Steering Gear
6	2464 439	1	B, T			DGD	LINK, Transmission Reverse Band
7	3515 589	1	B, T			DGD	STRUT, Reverse Band
8	4431 405	1	B, T			DGD	BAND, Reverse
9	6036 141AA	1	B, T			DGD	SCREW
10							PLUG, (NOT SERVICED)
11	2125 067	1	B, T			DGD	LEVER, Kickdown
12	4531 181	1	B, T			DGD	SHAFT, Band Lever
13	3515 084	1	B, T			DGD	STRUT, Kickdown Band
14	4617 849	1	B, T			DGD	BAND, Kickdown
15	0124 934	1	B, T			DGD	NUT, Hex Jam, .50-20

JEEP CHEROKEE (XJ)				
SERIES	LINE	BODY	ENGINE	TRANSMISSION
P=Classic	J=LHD (4WD)	74=4 Dr.(101.4WB)	ENC,EN0=2.5L 4 cyl. Turbo Die	DDD, DDQ=5 spd. Man.
S=Limited	U=RHD (4WD)	72=2 Dr.(101.4WB)	ERH,ER0=4.0L Power Tech I-6	DGS=4 spd. Auto. AISIN
H=Sport	T=LHD (2WD)		EPE,EP0=Magnum 2.5L SMPI	DG0=All Auto/Trans.
L=SE	B=RHD (2WD)			DBB=All Manual Trans.

AR = Use as required - = Non illustrated part # = New this model year



**Governor 30RH (DGD)  
Figure 30RH-610**



ITEM	PART NUMBER	QTY	LINE	SERIES	ENGINE	TRANS	DESCRIPTION
Notes: nsmission							
DGD = 30 RH 3 Speed Automatic Transmission nsmission							
-1	4883 956AB	1	B, T			DGD	GASKET AND SEAL PACKAGE, Governor
-2	4728 460	1	B, T			DGD	BODY PACKAGE, Governor
3							BODY, Governor, (NOT SERVICED)
4	1942 109	1	B, T			DGD	SEAL, Governor
5	3743 518	1	B, T			DGD	SUPPORT, Governor
6	1638 461	2	B, T			DGD	SNAP RING
7	6031 392	1	B, T			DGD	SNAP RING, Brake Master Cylinder
8	6034 723	1	B, T			DGD	SNAP RING, Governor, .675 x .025
-9	5211 7938	1	B, T			DGD	WEIGHT KIT, Transmission Governor
10							WEIGHT PACKAGE, Transmission Governor, (NOT SERVICED)
11							SPRING, (NOT SERVICED)
12	6031 613	2	B, T			DGD	BOLT, Hex Head, .25-20x.68
13	6027 271	1	B, T			DGD	SNAP RING, Governor, 1.156
14	1556 082	1	B, T			DGD	SHAFT, Governor
15	4617 064	1	B, T			DGD	VALVE, Governor
16	3743 519	1	B, T			DGD	FILTER, Transmission Governor
17							SPACER, Output Shaft, (NOT REQUIRED)
18	6029 675	1	B, T			DGD	SNAP RING, Output Shaft, 1.125 OD
19	3410 465	1	B, T			DGD	BEARING, Output Shaft
20							O RING, Output Shaft Bearing, Transmission, (NOT REQUIRED)
21	6031 392	1	B, T			DGD	SNAP RING, Brake Master Cylinder

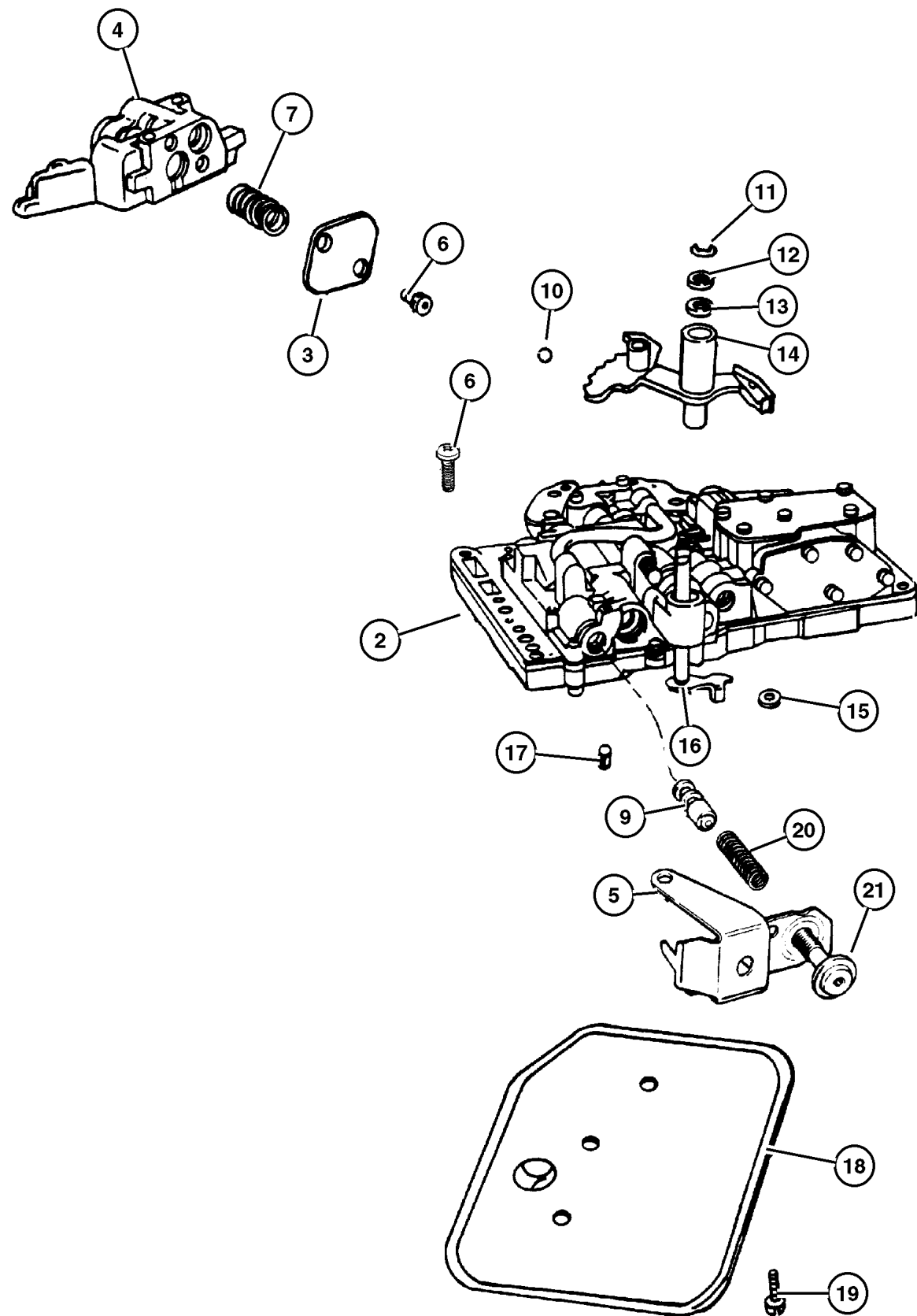
**JEEP CHEROKEE (XJ)**

SERIES	LINE	BODY	ENGINE	TRANSMISSION
P=Classic	J=LHD (4WD)	74=4 Dr.(101.4WB)	ENC,EN0=2.5L 4 cyl. Turbo Die	DDD, DDQ=5 spd. Man.
S=Limited	U=RHD (4WD)	72=2 Dr.(101.4WB)	ERH,ER0=4.0L Power Tech I-6	DGS=4 spd. Auto. AISIN
H=Sport	T=LHD (2WD)		EPE,EP0=Magnum 2.5L SMPI	DG0=All Auto/Trans.
L=SE	B=RHD (2WD)			DBB=All Manual Trans.

AR = Use as required - = Non illustrated part # = New this model year

April 5, 2002

Valve Body 30 RH (DGD)  
Figure 30RH-710

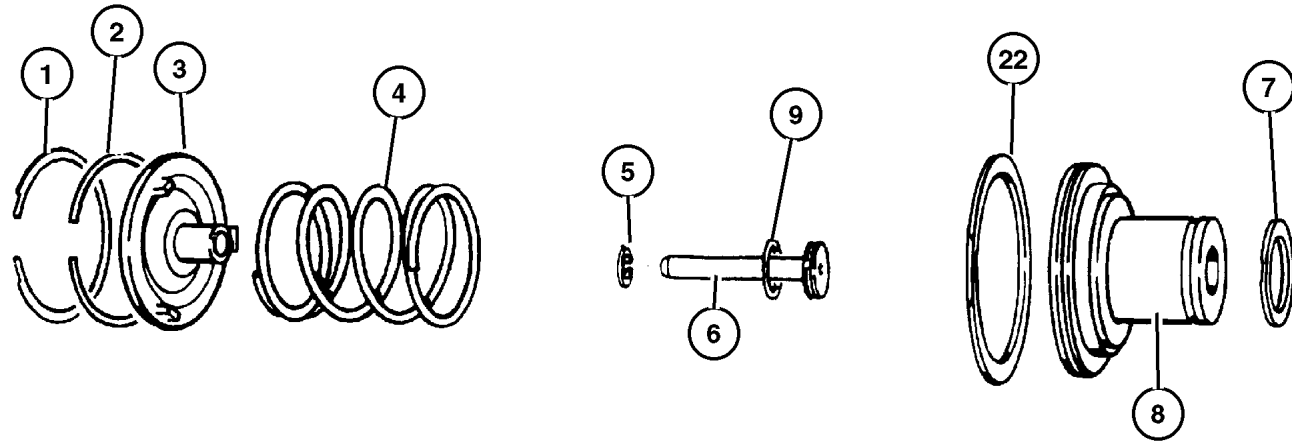


ITEM	PART NUMBER	QTY	LINE	SERIES	ENGINE	TRANS	DESCRIPTION
Notes: nsmission							
DGD = 30 RH 3 Speed Automatic Transmission nsmission							
-1	4713 105AB	1	B, T			DGD	GASKET AND SEAL PACKAGE, Valve Body
2	5211 8596	1	B, T			DGD	BODY, Transfer Plate
3							PLATE, (NOT SERVICED)
4							VALVE, Valve Body, (NOT SERVICED)
5							BRACKET, (NOT SERVICED)
6							SCREW, (NOT SERVICED)
7							SPRING, Lock Up Valve, NOTE: Not Serviced For
							1999., (NOT SERVICED)
-8	4348 907	1	B, T			DGD	SPRING, Limit Valve
9	4505 036	1	B, T			DGD	VALVE, Trans Lockup Switch
10	0147 488	1	B, T			DGD	BALL, Manual Lever Detent, .343 Diameter
11	6035 208	2	B, T			DGD	SNAP RING
12	2538 062	1	B, T			DGD	WASHER, Manual Valve Lever
13	2466 548	1	B, T			DGD	SEAL, Valve Lever Shift
14	4617 439	1	B, T			DGD	LEVER, Manual Valve
15	4505 098	1	B, T			DGD	SEAL, Manual Shift Valve, 1.25 OD
16	3681 227	1	B, T			DGD	LEVER, Throttle Valve
17	3878 313	1	B, T			DGD	SCREEN, Transmission Regulator Valve
18	3515 996	1	B, T			DGD	FILTER, Valve Body
19	6033 826	3	B, T			DGD	SCREW AND WASHER, Oil Filter Mounting, Fillester Head .190-24x2.500
20	4130 492	1	B, T			DGD	SPRING, Switch Valve
21	6030 609	1	B, T			DGD	SCREW, Cap Head Lock, .312-24x1.25

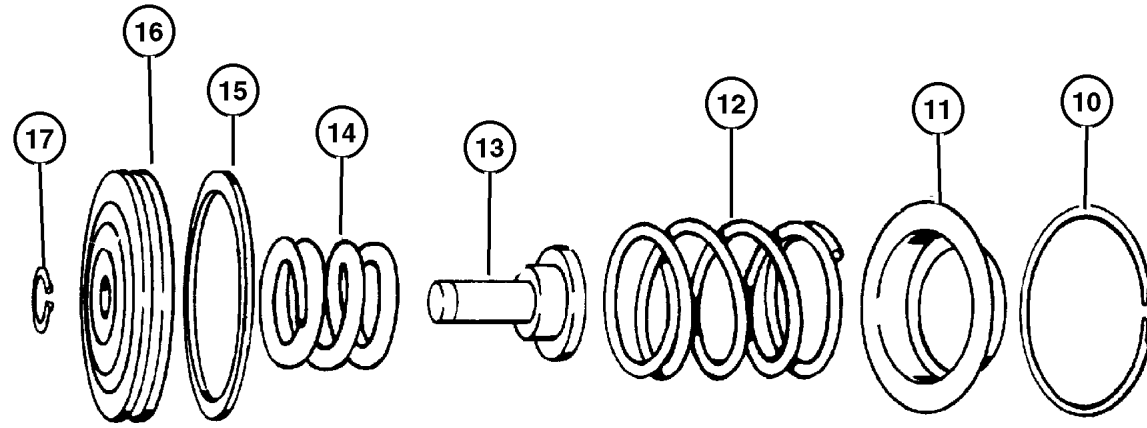
JEEP CHEROKEE (XJ)				
SERIES	LINE	BODY	ENGINE	TRANSMISSION
P=Classic	J=LHD (4WD)	74=4 Dr.(101.4WB)	ENC,EN0=2.5L 4 cyl. Turbo Die	DDD, DDQ=5 spd. Man.
S=Limited	U=RHD (4WD)	72=2 Dr.(101.4WB)	ERH,ER0=4.0L Power Tech I-6	DGS=4 spd. Auto. AISIN
H=Sport	T=LHD (2WD)		EPE,EP0=Magnum 2.5L SMPI	DG0=All Auto/Trans.
L=SE	B=RHD (2WD)			DBB=All Manual Trans.

Servos 30RH (DGD)  
Figure 30RH-720

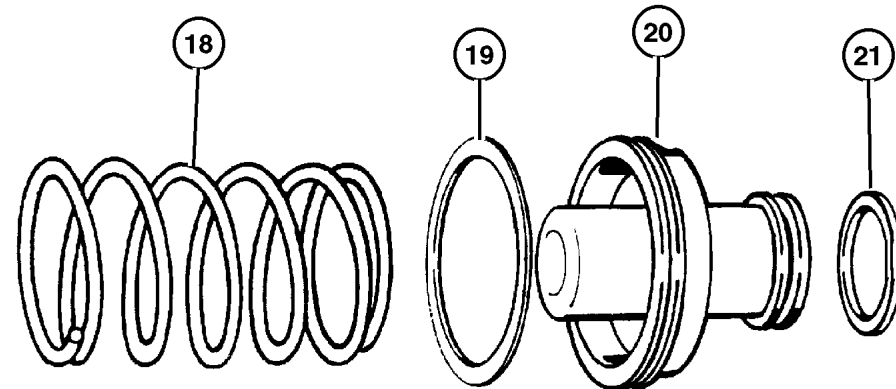
ITEM	PART NUMBER	QTY	LINE	SERIES	ENGINE	TRANS	DESCRIPTION
Notes: nsmission							
DGD = 30 RH 3 Speed Automatic Transmission nsmission							
EPO = All 2.5L 4 Cylinder Gas Engines nsmission							
1	1942 486	1	B, T			DGD	SNAP RING
2	3743 014	1	B, T			DGD	SEAL, Kickdown Servo
3	1942 485	1	B, T			DGD	GUIDE, Kickdown Servo
4							SPRING, Kickdown Servo Piston, (NOT SERVICED)
5	6025 031	1	B, T			DGD	SNAP RING, 1.205 OD
6	4058 943	1	B, T			DGD	ROD, Kickdown Servo Piston
7	4295 965	1	B, T			DGD	SEAL, Kickdown Servo
8	4058 942	1	B, T			DGD	PISTON, Kickdown Servo
9	6031 410	1	B, T			DGD	O RING, Trans Kickdown Servo
10	2464 464	1	B, T			DGD	SNAP RING
11	2464 463	1	B, T			DGD	RETAINER, Transmission Rear Clutch
12	2801 274	1	B, T			DGD	SPRING, Reverse Servo Piston
13	5211 8741	1	B, T			DGD	PLUG, Reverse Servo Piston
14	3743 580	1	B, T			DGD	SPRING, Reverse Servo Piston
15	4202 864	1	B, T			DGD	SEAL, Reverse Servo Piston
16	5211 8744	1	B, T			DGD	PISTON, Reverse Servo
17	6027 153	1	B, T			DGD	SNAP RING, .435 ID
18	4531 259	1	B, T			DGD	SPRING, Transmission Accumulator
19	3743 013	1	B, T			DGD	SEAL, Piston Accumulator
20	3743 650	1	B, T			DGD	PISTON, Accumulator
21	3743 010	1	B, T			DGD	SEAL, Piston Accumulator
22	1636 470	1	B, T			DGD	SEAL, Servo Piston



KICKDOWN SERVO



LOW AND REVERSE SERVO



ACCUMULATOR PISTON AND SPRING

JEEP CHEROKEE (XJ)

SERIES	LINE	BODY	ENGINE	TRANSMISSION
P=Classic	J=LHD (4WD)	74=4 Dr.(101.4WB)	ENC,EN0=2.5L 4 cyl. Turbo Die	DDD, DDQ=5 spd. Man.
S=Limited	U=RHD (4WD)	72=2 Dr.(101.4WB)	ERH,ER0=4.0L Power Tech I-6	DGS=4 spd. Auto. AISIN
H=Sport	T=LHD (2WD)		EPE,EPO=Magnum 2.5L SMPI	DG0=All Auto/Trans.
L=SE	B=RHD (2WD)			DBB=All Manual Trans.

AR = Use as required - = Non illustrated part # = New this model year

April 5, 2002

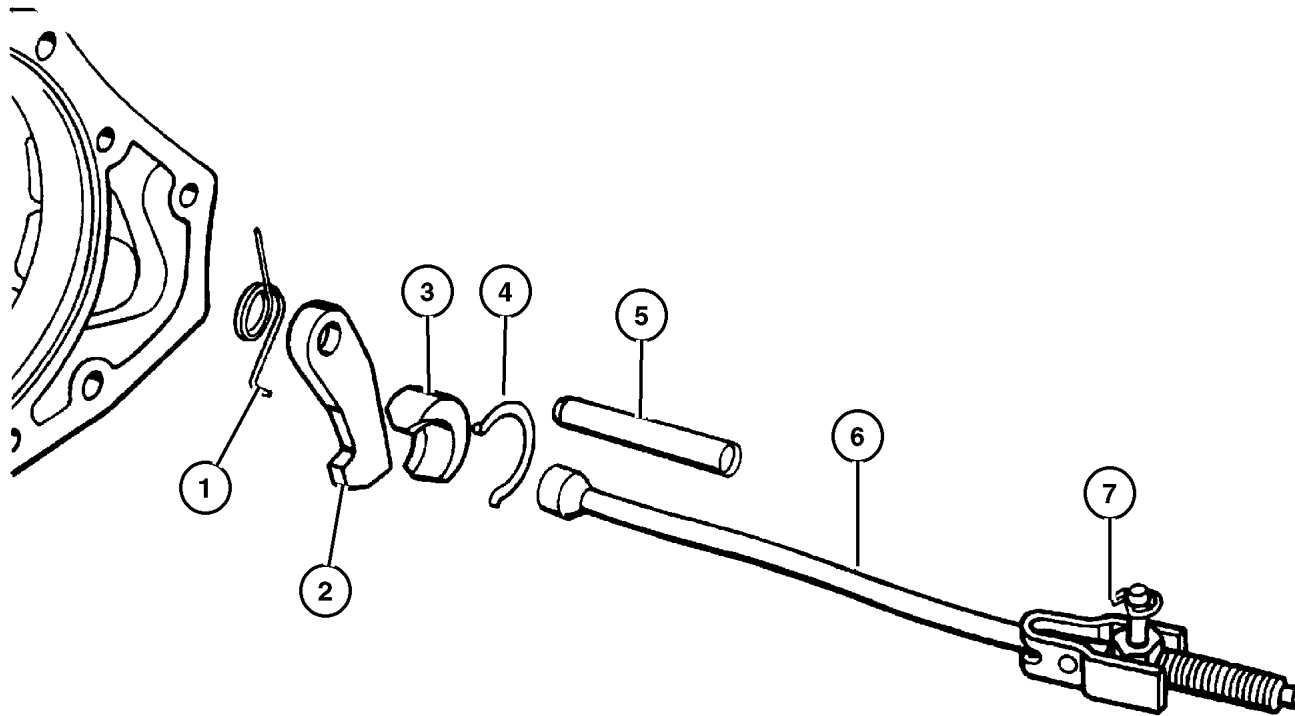
**Parking Sprag 30RH (DGD)  
Figure 30RH-730**

ITEM	PART NUMBER	QTY	LINE	SERIES	ENGINE	TRANS	DESCRIPTION
------	-------------	-----	------	--------	--------	-------	-------------

Notes: nsmission

DGD = 30 RH 3 Speed Automatic Transmission nsmission

1	2466 909	1	B, T			DGD	SPRING, Parking Sprag
2	4471 415	1	B, T			DGD	SPRAG, Transmission Parking
3	2538 042	1	B, T			DGD	PLUG, Parking Sprag
4	2538 034	1	B, T			DGD	SNAP RING, Transmission
5	2466 892	1	B, T			DGD	SHAFT, Parking Sprag
6	2466 906	1	B, T			DGD	ROD, Parking Sprag
7	6035 256	1	B, T			DGD	SNAP RING, Rod



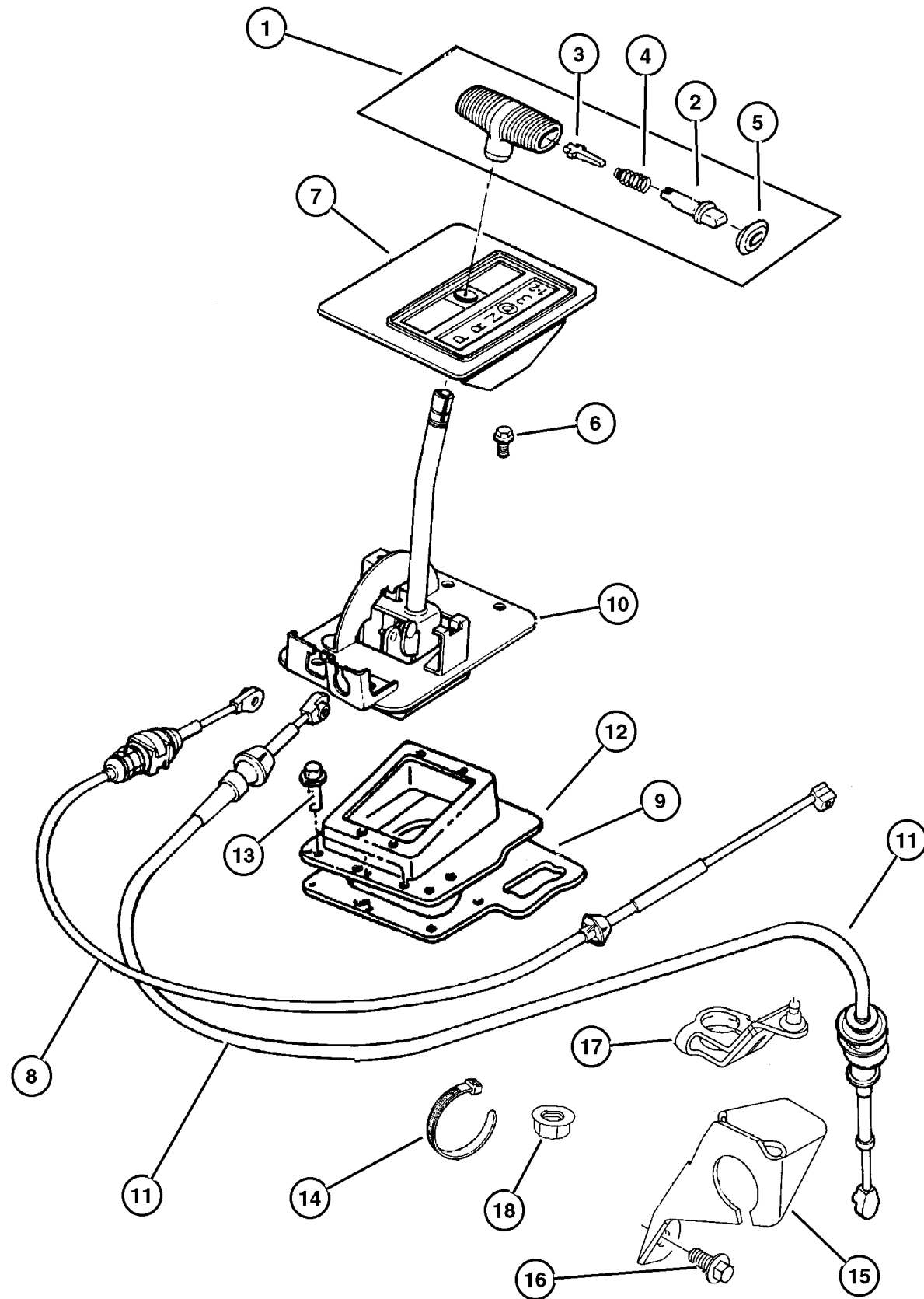
**JEEP CHEROKEE (XJ)**

SERIES	LINE	BODY	ENGINE	TRANSMISSION
P=Classic	J=LHD (4WD)	74=4 Dr.(101.4WB)	ENC,EN0=2.5L 4 cyl. Turbo Die	DDD, DDQ=5 spd. Man.
S=Limited	U=RHD (4WD)	72=2 Dr.(101.4WB)	ERH,ER0=4.0L Power Tech I-6	DGS=4 spd. Auto. AISIN
H=Sport	T=LHD (2WD)		EPE,EP0=Magnum 2.5L SMPI	DG0=All Auto/Trans.
L=SE	B=RHD (2WD)			DBB=All Manual Trans.

AR = Use as required - = Non illustrated part # = New this model year

April 5, 2002

## Gearshift Controls 30RH (DGD) Figure 30RH-1210



ITEM	PART NUMBER	QTY	LINE	SERIES	ENGINE	TRANS	DESCRIPTION
Notes: nsmission							
DGO = All Automatic Transmissions nsmission							
DGD = 30 RH 3 Speed Automatic Transmission nsmission							
EP0 = All 2.5L 4 Cylinder Gas Engines nsmission							
ER0 = All 4.0L 6 Cylinder Gas Engines nsmission							
1	5210 4028	1			EP0, ER0	DGO	HANDLE, Gearshift
2	5300 0211	1			EP0, ER0	DGO	BUTTON, Gearshift Knob
3	5300 0865	1			EP0, ER0	DGO	LEVER, Gearshift
4	5300 0866	1			EP0, ER0	DGO	SPRING, Button Return
5	5207 7561	1			EP0, ER0	DGO	CAP, Gearshift Handle Button
6							SCREW, Hex Head, M8x1.25x18, (NOT SERVICED)
7	5GC36 LAZAB	1	B, U			DGD	BEZEL, Console PRNDL
8	52104 144AB	1	B, U		EP0, ER0	DGO	CABLE, Park Interlock
9							SEAL, Shift Housing, (NOT SERVICED)
10	52104 007AB	1	B, U			DGO	HOUSING, Shift Lever
11	52077 532AC	1				DGO	CABLE, Gearshift Control
12	5300 0704	1				DGO	COVER, Gearshift
13	J400 1701	AR					SCREW, Hex Self Tapping, .19-16x.50
14	4641 780	1	J, U				STRAP, Tie
15	5207 8380	1			EP0	DGD	BRACKET, Transmission Control Cable
16							BOLT, square neck, Header Point .437-14x1.25, (NOT SERVICED)
17	3681 227	1	B, T			DGD	LEVER, Throttle Valve
18	J400 4005	1			EP0	DGD	NUT, Hex, .437-14

JEEP CHEROKEE (XJ)				
SERIES	LINE	BODY	ENGINE	TRANSMISSION
P=Classic	J=LHD (4WD)	74=4 Dr.(101.4WB)	ENC,EN0=2.5L 4 cyl. Turbo Die	DDD, DDQ=5 spd. Man.
S=Limited	U=RHD (4WD)	72=2 Dr.(101.4WB)	ERH,ER0=4.0L Power Tech I-6	DGS=4 spd. Auto. AISIN
H=Sport	T=LHD (2WD)		EPE,EP0=Magnum 2.5L SMPI	DGO=All Auto/Trans.
L=SE	B=RHD (2WD)			DBB=All Manual Trans.

AR = Use as required - = Non illustrated part # = New this model year

# Group – AW4

## Automatic Transmission 4 Speed

### GROUP AW4 - Automatic Transmission 4 Speed

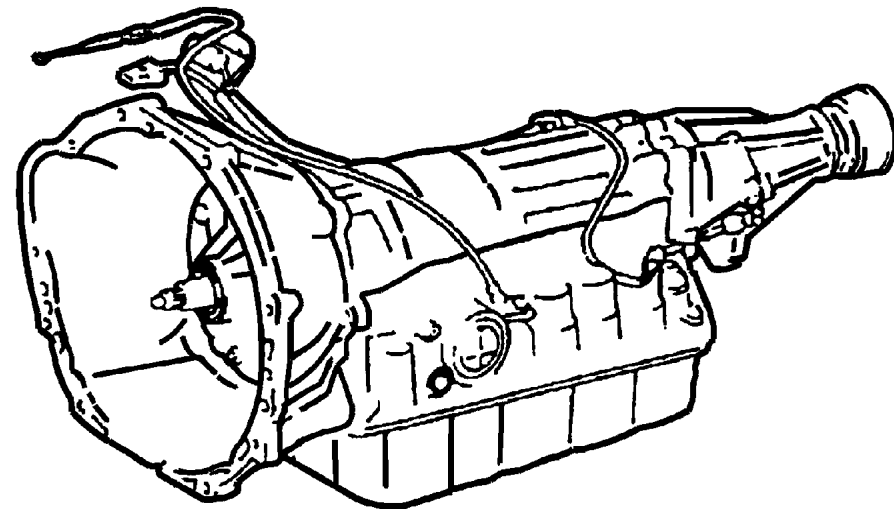


Illustration Title

Group-Fig. No.

#### Transmission Assembly

Transmission AW4 (DGS) ..... Fig. AW4-110

#### Case and Extension

Case and Related Parts AW4 (DGS) ..... Fig. AW4-210

Linkage AW4 (DGS) ..... Fig. AW4-220

#### Oil Pump

Oil Pump AW4 (DGS) ..... Fig. AW4-310

#### Gear Train

Overdrive Clutch AW4 (DGS) ..... Fig. AW4-410

Clutches, Forward and Direct AW4 (DGS) ..... Fig. AW4-420

Clutch and Sun Gear AW4 (DGS) ..... Fig. AW4-430

Gear Train AW4 (DGS) ..... Fig. AW4-440

#### Bands, Reverse and Kickdown

Bands AW4 (DGS) ..... Fig. AW4-510

#### Valve Body

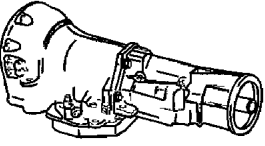
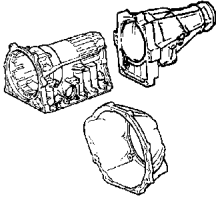

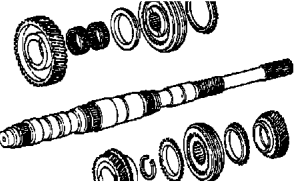
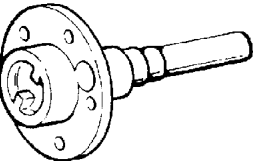
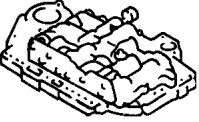
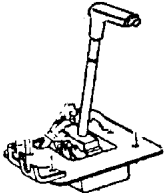
Valve Body AW4 (DGS) ..... Fig. AW4-710

Accumulator Piston AW4 (DGS) ..... Fig. AW4-720

Lock, Parking AW4 (DGS) ..... Fig. AW4-730

#### Gearshift Controls

Gearshift Controls AW4 (DGS) ..... Fig. AW4-1210

<p><b>AW4-100</b> Transmission Assembly</p> 	<p><b>AW4-200</b> Case and Extension</p> 	<p><b>AW4-300</b> Oil Pump</p> 	<p><b>AW4-400</b> Gear Train</p> 
<p><b>AW4-500</b> Bands, Reverse and Kickdown</p> 	<p><b>AW4-700</b> Valve Body</p> 	<p><b>AW4-1200</b> Gearshift Controls</p> 	

## Transmission AW4 (DGS) Figure AW4-110

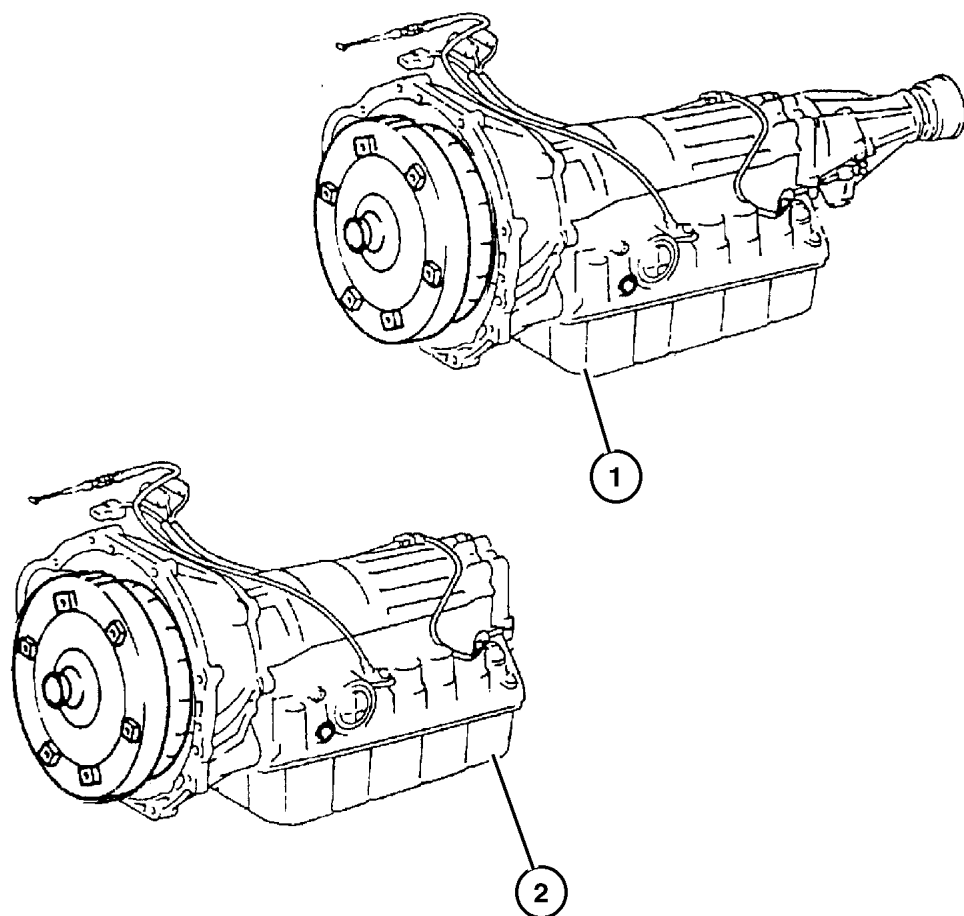
ITEM	PART NUMBER	QTY	LINE	SERIES	ENGINE	TRANS	DESCRIPTION
------	-------------	-----	------	--------	--------	-------	-------------

Notes: nsmission

ER0 = All 4.0L 6 Cylinder Gas Engines nsmission

DGS = Aisin Warner 4 Speed Automatic Transmission nsmission

1	52104 180AD	1	B, T		ER0	DGS	TRANSMISSION
2	52104 210AC	1	J, U			DGS	TRANSMISSION

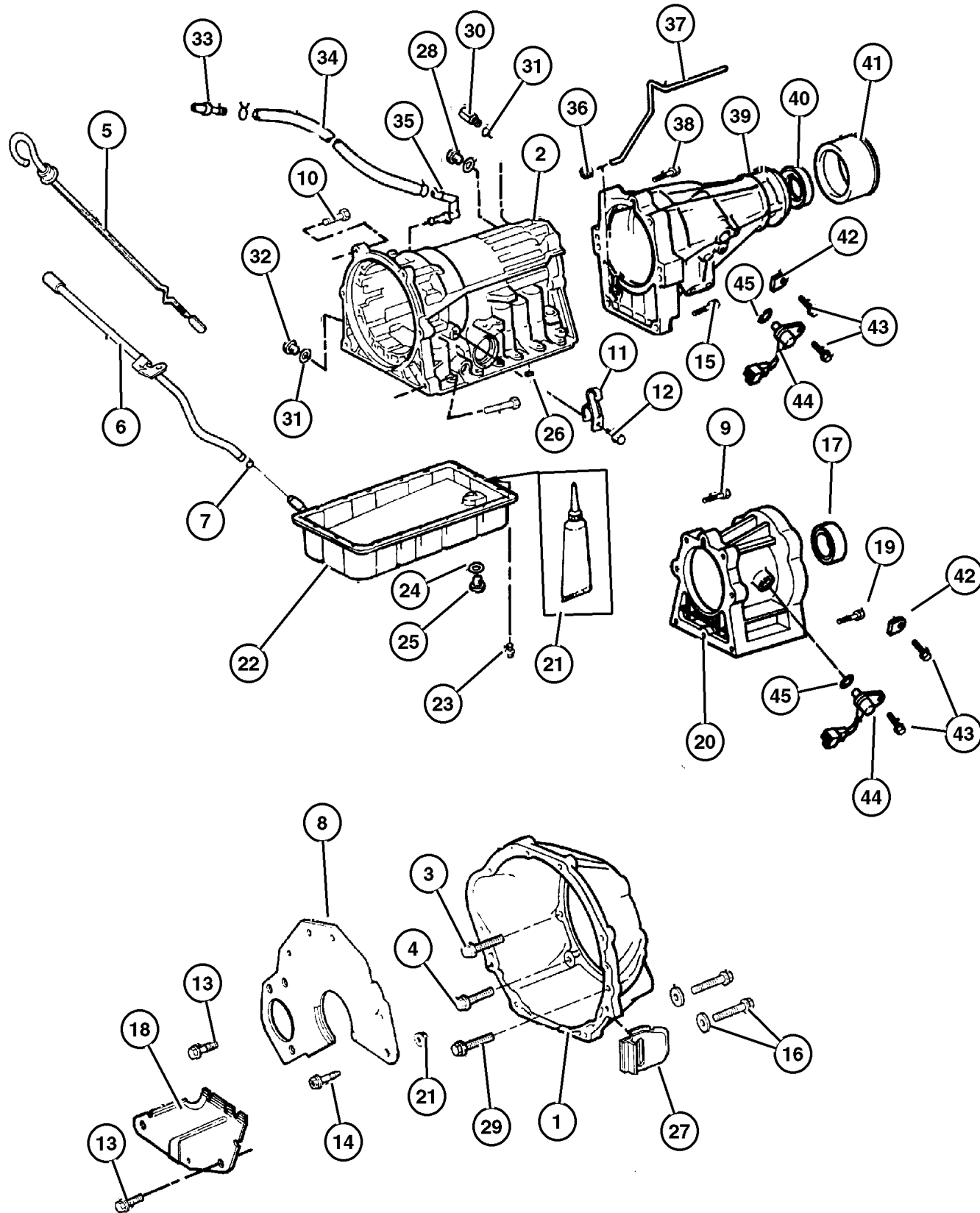


JEEP CHEROKEE (XJ)				
SERIES	LINE	BODY	ENGINE	TRANSMISSION
P=Classic	J=LHD (4WD)	74=4 Dr.(101.4WB)	ENC,EN0=2.5L 4 cyl. Turbo Die	DDD, DDQ=5 spd. Man.
S=Limited	U=RHD (4WD)	72=2 Dr.(101.4WB)	ERH,ER0=4.0L Power Tech I-6	DGS=4 spd. Auto. AISIN
H=Sport	T=LHD (2WD)		EPE,EP0=Magnum 2.5L SMPI	DG0=All Auto/Trans.
L=SE	B=RHD (2WD)			DBB=All Manual Trans.

AR = Use as required - = Non illustrated part # = New this model year

April 5, 2002

**Case and Related Parts AW4 (DGS)  
Figure AW4-210**



ITEM	PART NUMBER	QTY	LINE	SERIES	ENGINE	TRANS	DESCRIPTION
Notes: nsmission							
ER0 = All 4.0l 6 Cylinder Gas Engines nsmission							
DGO = All Automatic Transmissions nsmission							
DGS = Aisin Warner 4 Speed Automatic Transmission nsmission							
1							HOUSING, Torque Converter
	8350 4062	1	B, T		ER0	DGS	
		1	J, U			DGS	
2							CASE, Transmission
	4897 731AA	1	B, T		ER0	DGS	
		1	J, U			DGS	
3							BOLT, M10x1.50x35
	8350 3747	4	B, T		ER0	DGS	
		4	J, U			DGS	
4							BOLT
	8350 3746	1	B, T		ER0	DGS	
		1	J, U			DGS	
5	5210 4146	1			ER0	DGO	INDICATOR, Transmission Fluid Level
6	#53002 870AB	1			ER0	DGO	TUBE, Filler
7	5300 3977	1			ER0	DGO	O RING, Indicator Tube Oil Level, Transmission
8	53004 907AB	1			ER0	DGO	COVER, Converter
9	4637 494	2	J, U			DGS	BOLT, M10x1.5x100
10							BOLT AND WASHER, M8x16
	8350 3711	1	B, T		ER0	DGS	
		1	J, U			DGS	
11							CLAMP, Transmission
	8350 3715	1	B, T		ER0	DGS	
		1	J, U			DGS	
12							BOLT
	8350 3746	1	B, T		ER0	DGS	
		1	J, U			DGS	
13	1150 2850	4			ER0	DGO	BOLT, Hex Flange Head, M8x1.25x20
14	1150 4922	2			ER0	DGO	BOLT, Hex Head, M12x1.75x50
15	4637 492	3	B, T		ER0	DGS	BOLT, Transmission Case
16							BOLT AND WASHER, M10x1.5, (NOT SERVICED)
17							SEAL, Transmission Case
	8350 4048	1	B, T		ER0	DGS	
	8350 4055	1	J, U			DGS	
18	52118 078AB	1			ER0	DGO	COVER, Transmission Dust
19	4637 495	5	J, U			DGS	BOLT AND WASHER, M10x1.5x4
20	4897 739AA	1	J, U			DGS	ADAPTER, Transmission
21	5010 428AA	1	B, T		ER0	DGS	GASKET, Sealant
22							PAN, Transmission Oil

**JEEP CHEROKEE (XJ)**

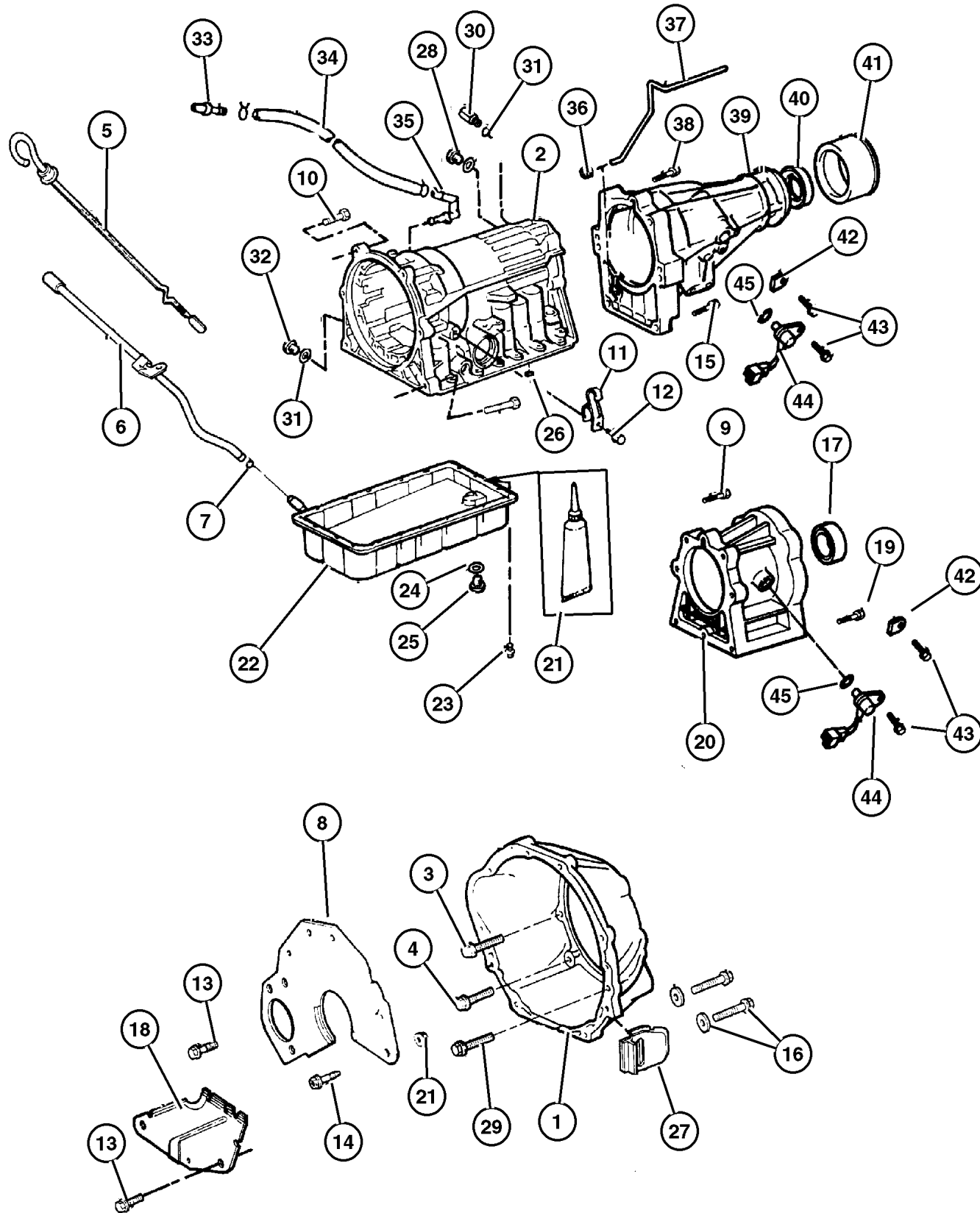
SERIES	LINE	BODY	ENGINE	TRANSMISSION
P=Classic	J=LHD (4WD)	74=4 Dr.(101.4WB)	ENC,EN0=2.5L 4 cyl. Turbo Die	DDD, DDQ=5 spd. Man.
S=Limited	U=RHD (4WD)	72=2 Dr.(101.4WB)	ERH,ER0=4.0L Power Tech I-6	DGS=4 spd. Auto. AISIN
H=Sport	T=LHD (2WD)		EPE,EP0=Magnum 2.5L SMPI	DGO=All Auto/Trans.
L=SE	B=RHD (2WD)			DBB=All Manual Trans.

AR = Use as required - = Non illustrated part # = New this model year

April 5, 2002



**Case and Related Parts AW4 (DGS)  
Figure AW4-210**



ITEM	PART NUMBER	QTY	LINE	SERIES	ENGINE	TRANS	DESCRIPTION
	8350 4037	1	B, T		ER0	DGS	
		1	J, U			DGS	
23	4637 548	19	B, T		ER0	DGS	BOLT, Oil Pan
		19	J, U			DGS	
24	8350 4040	1	B, T		ER0	DGS	GASKET, Drain Plug
		1	J, U			DGS	
25							PLUG, Transmission
26	8350 4041	1	J, U			DGS	
		1	B, T		ER0	DGS	SEAL, Transmission
	5252 444	1	B, T		ER0	DGS	
		1	J, U			DGS	
27	5211 7660	1			ER0	DG0	GROMMET, Timing Probe
28	8350 3749	2	B, T		ER0	DGS	PLUG, Transmission Case
29							BOLT
	4637 491	1	B, T		ER0	DGS	
		1	J, U			DGS	
30							UNION, Transmission Oil Cooler
	8350 3728	2	B, T		ER0	DGS	
		2	J, U			DGS	
31							O RING, Oil Cooler
	8350 3727	2	B, T		ER0	DGS	
		2	J, U			DGS	
32							PLUG, Transmission Case
	8350 3749	2	B, T		ER0	DGS	
		2	J, U			DGS	
33							BREATHER, Transmission
	8350 3729	1	B, T		ER0	DGS	
	8350 3737	1	J, U			DGS	
34	8350 3720	1	J, U			DGS	HOSE, Transmission Vent
35	4897 739AA	1	J, U			DGS	ADAPTER, Transmission
36	8350 4052	1	B, T		ER0	DGS	SEAL, Transmission Vent
37							TUBE, Valve Body
	8350 4334	2	B, T		ER0	DGS	
		2	J, U			DGS	
38	4637 493	4	B, T		ER0	DGS	BOLT AND WASHER, M10x1.5
39	4897 736AB	1	B, T		ER0	DGS	CASE, Transmission Rear
40							SEAL, Transmission Case
	8350 4048	1	B, T		ER0	DGS	
	8350 4055	1	J, U			DGS	

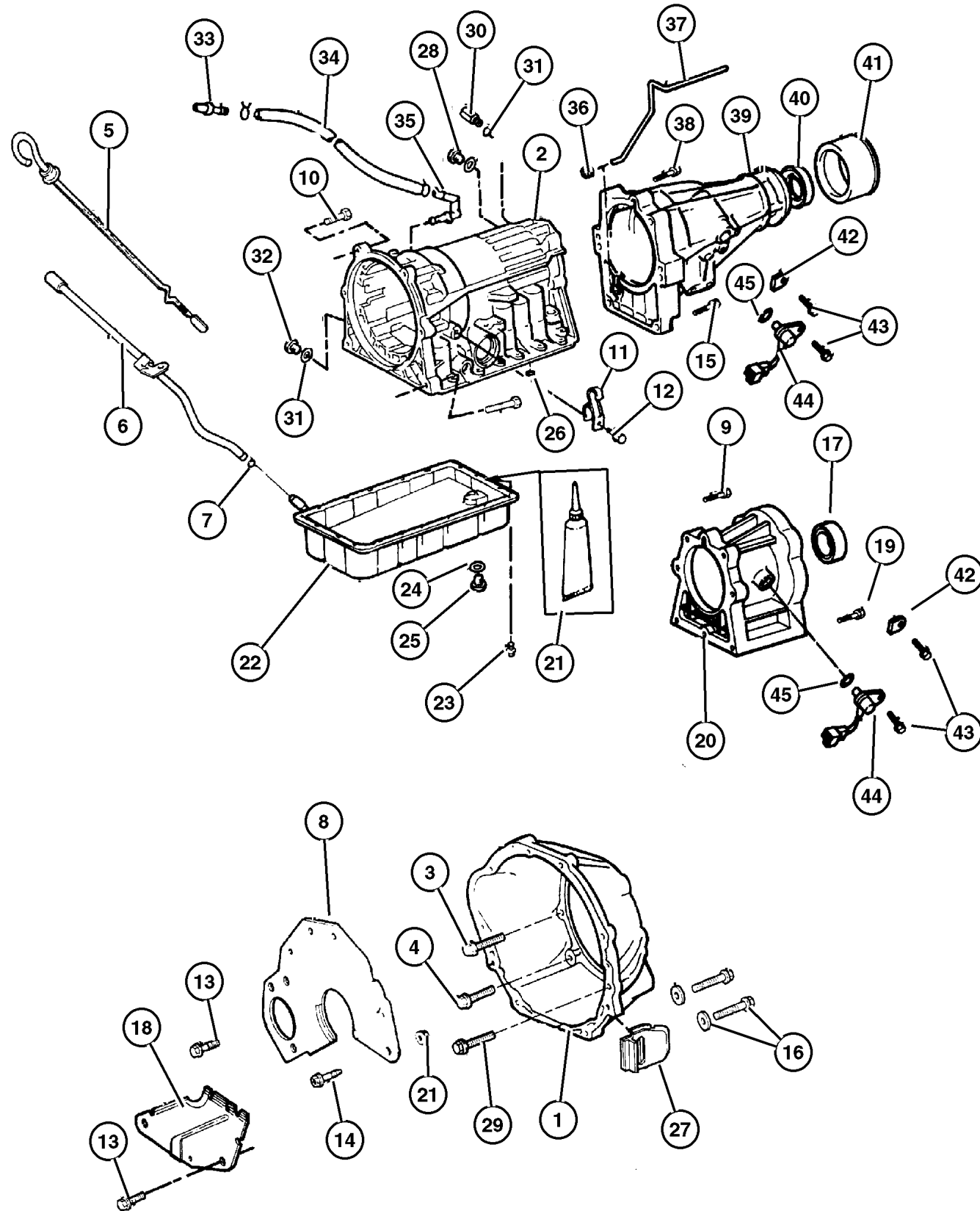
**JEEP CHEROKEE (XJ)**

SERIES	LINE	BODY	ENGINE	TRANSMISSION
P=Classic	J=LHD (4WD)	74=4 Dr.(101.4WB)	ENC,EN0=2.5L 4 cyl. Turbo Die	DDD, DDQ=5 spd. Man.
S=Limited	U=RHD (4WD)	72=2 Dr.(101.4WB)	ERH,ER0=4.0L Power Tech I-6	DGS=4 spd. Auto. AISIN
H=Sport	T=LHD (2WD)		EPE,EP0=Magnum 2.5L SMPI	DG0=All Auto/Trans.
L=SE	B=RHD (2WD)			DBB=All Manual Trans.

AR = Use as required - = Non illustrated part # = New this model year

April 5, 2002

Case and Related Parts AW4 (DGS)  
Figure AW4-210



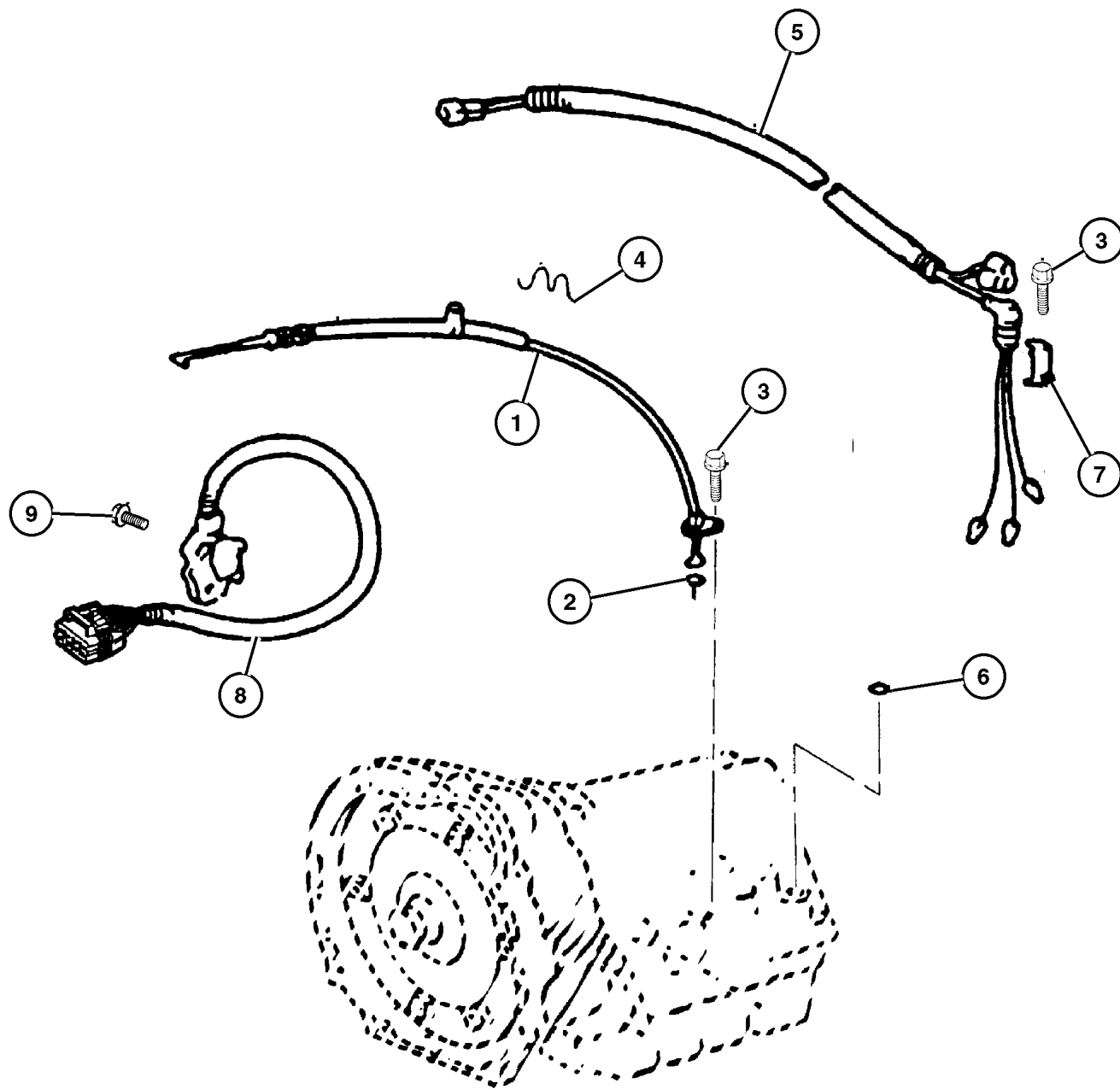
ITEM	PART NUMBER	QTY	LINE	SERIES	ENGINE	TRANS	DESCRIPTION
41	8350 4050	1	B, T		ER0	DGS	DEFLECTOR, Transfer Case Dust
42							PLATE, Retaining
	8350 3717	1	B, T		ER0	DGS	
		1	J, U			DGS	
43							SCREW AND CONED WASHER, Hex Head, M6x1.00x16.00
	3420 1808	AR	B, T		ER0	DGS	
		AR	J, U			DGS	
44							SENSOR, Vehicle Speed
	4897 734AA	2	B, T		ER0	DGS	
		2	J, U			DGS	
45							O RING, Trans Speedo Adapter
	5010 301AA	1	B, T		ER0	DGS	
		1	J, U			DGS	

JEEP CHEROKEE (XJ)  
 SERIES LINE BODY ENGINE TRANSMISSION  
 P=Classic J=LHD (4WD) 74=4 Dr.(101.4WB) ENC,EN0=2.5L 4 cyl. Turbo Die DDD, DDQ=5 spd. Man.  
 S=Limited U=RHD (4WD) 72=2 Dr.(101.4WB) ERH,ER0=4.0L Power Tech I-6 DGS=4 spd. Auto. AISIN  
 H=Sport T=LHD (2WD) EPE,EP0=Magnum 2.5L SMPI DG0=All Auto/Trans.  
 L=SE B=RHD (2WD) DBB=All Manual Trans.

AR = Use as required - = Non illustrated part # = New this model year

April 5, 2002

Linkage AW4 (DGS)  
Figure AW4-220



ITEM	PART NUMBER	QTY	LINE	SERIES	ENGINE	TRANS	DESCRIPTION
Notes: nsmission							
ER0 = All 4.0l 6 Cylinder Gas Engines nsmission							
DGS = Aisin Warner 4 Speed Automatic Transmission nsmission							
1							CABLE, Throttle Control
	5207 7578	1	B, T		ER0	DGS	
		1	J, U			DGS	
2							O RING, Throttle Cable
	8350 3708	1	B, T		ER0	DGS	
		1	J, U			DGS	
3							SCREW AND CONED WASHER, Hex Head, M6x1.00x16.00
	3420 1808	AR	B, T		ER0	DGS	
		1	J, U			DGS	
4							RETAINER, Throttle Cable Retention
	8350 3710	1	B, T		ER0	DGS	
		1	J, U			DGS	
5							HARNESS, Valve Body Solenoid
	4897 742AA	1	B, T		ER0	DGS	
		1	J, U			DGS	
6							O RING, Solenoid Connector Seal, Transmission
	8350 3719	1	B, T		ER0	DGS	
		1	J, U			DGS	
7							PLATE, Retaining
	8350 3717	1	B, T		ER0	DGS	
		1	J, U			DGS	
8							SWITCH, Neutral, Safety, Back Up
	4882 173	1	B, T		ER0	DGS	
		1	J, U			DGS	
9							BOLT, M8x1.25x30
	8350 3714	1	B, T		ER0	DGS	
		1	J, U			DGS	

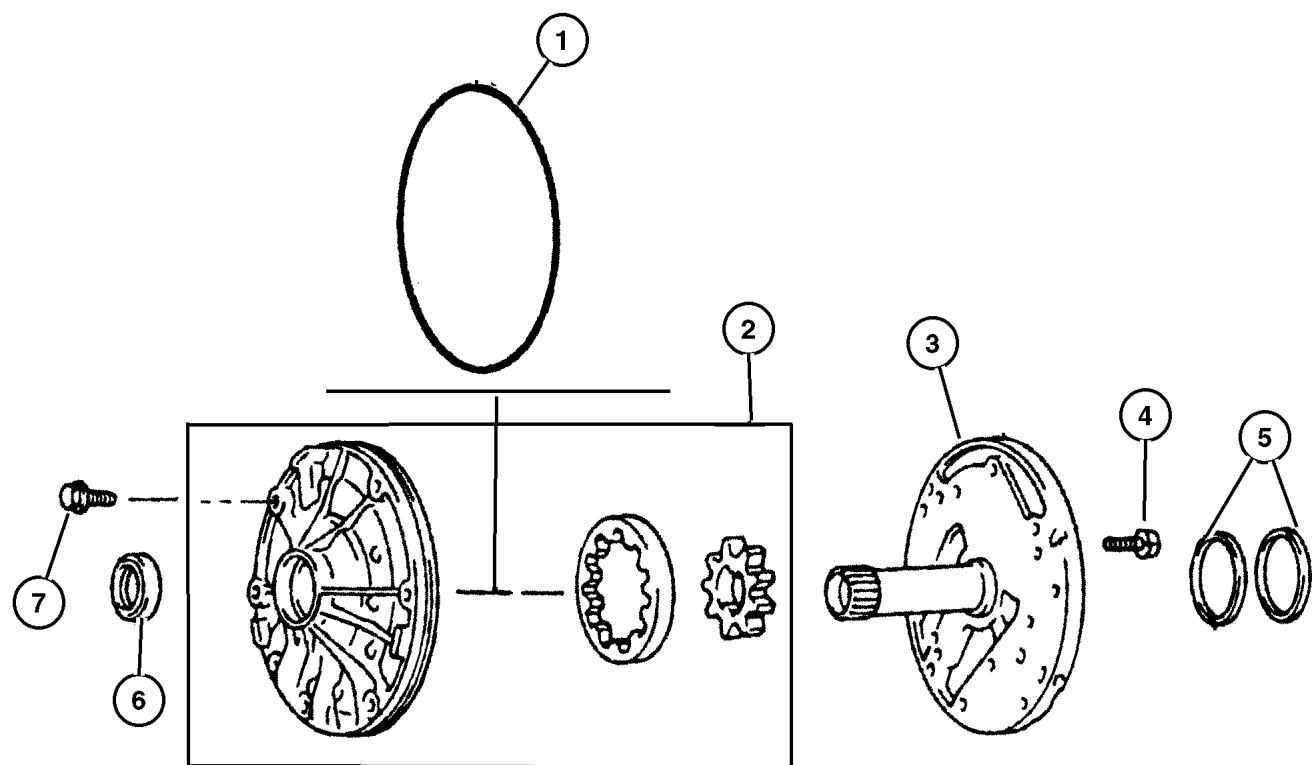
JEEP CHEROKEE (XJ)

SERIES	LINE	BODY	ENGINE	TRANSMISSION
P=Classic	J=LHD (4WD)	74=4 Dr.(101.4WB)	ENC,EN0=2.5L 4 cyl. Turbo Die	DDD, DDQ=5 spd. Man.
S=Limited	U=RHD (4WD)	72=2 Dr.(101.4WB)	ERH,ER0=4.0L Power Tech I-6	DGS=4 spd. Auto. AISIN
H=Sport	T=LHD (2WD)		EPE,EP0=Magnum 2.5L SMPI	DG0=All Auto/Trans.
L=SE	B=RHD (2WD)			DBB=All Manual Trans.

AR = Use as required - = Non illustrated part # = New this model year

April 5, 2002

## Oil Pump AW4 (DGS) Figure AW4-310



ITEM	PART NUMBER	QTY	LINE	SERIES	ENGINE	TRANS	DESCRIPTION
Notes: nsmission							
ER0 = All 4.0l 6 Cylinder Gas Engines nsmission							
DGS = Aisin Warner 4 Speed Automatic Transmission nsmission							
1	8350 3758	1	B, T		ER0	DGS	O RING, Transmission Pump Assy
		1	J, U			DGS	
2	8350 4283	1	B, T		ER0	DGS	HOUSING, Pump
		1	J, U			DGS	
3	4626 166	1	B, T		ER0	DGS	STATOR, Support
		1	J, U			DGS	
4	4626 167	13	B, T		ER0	DGS	BOLT AND WASHER, Hex Head, M6x1.0x16
		13	J, U			DGS	
5	8350 3757	4	B, T		ER0	DGS	SEAL, Pump Reaction Shaft
		2	J, U			DGS	
6	8350 3752	1	B, T		ER0	DGS	SEAL, Transmission Oil Pump
		1	J, U			DGS	
7	8350 3759	7	B, T		ER0	DGS	BOLT
		7	J, U			DGS	

### JEEP CHEROKEE (XJ)

SERIES	LINE	BODY	ENGINE	TRANSMISSION
P=Classic	J=LHD (4WD)	74=4 Dr.(101.4WB)	ENC,EN0=2.5L 4 cyl. Turbo Die	DDD, DDQ=5 spd. Man.
S=Limited	U=RHD (4WD)	72=2 Dr.(101.4WB)	ERH,ER0=4.0L Power Tech I-6	DGS=4 spd. Auto. AISIN
H=Sport	T=LHD (2WD)		EPE,EP0=Magnum 2.5L SMPI	DG0=All Auto/Trans.
L=SE	B=RHD (2WD)			DBB=All Manual Trans.

AR = Use as required - = Non illustrated part # = New this model year

April 5, 2002

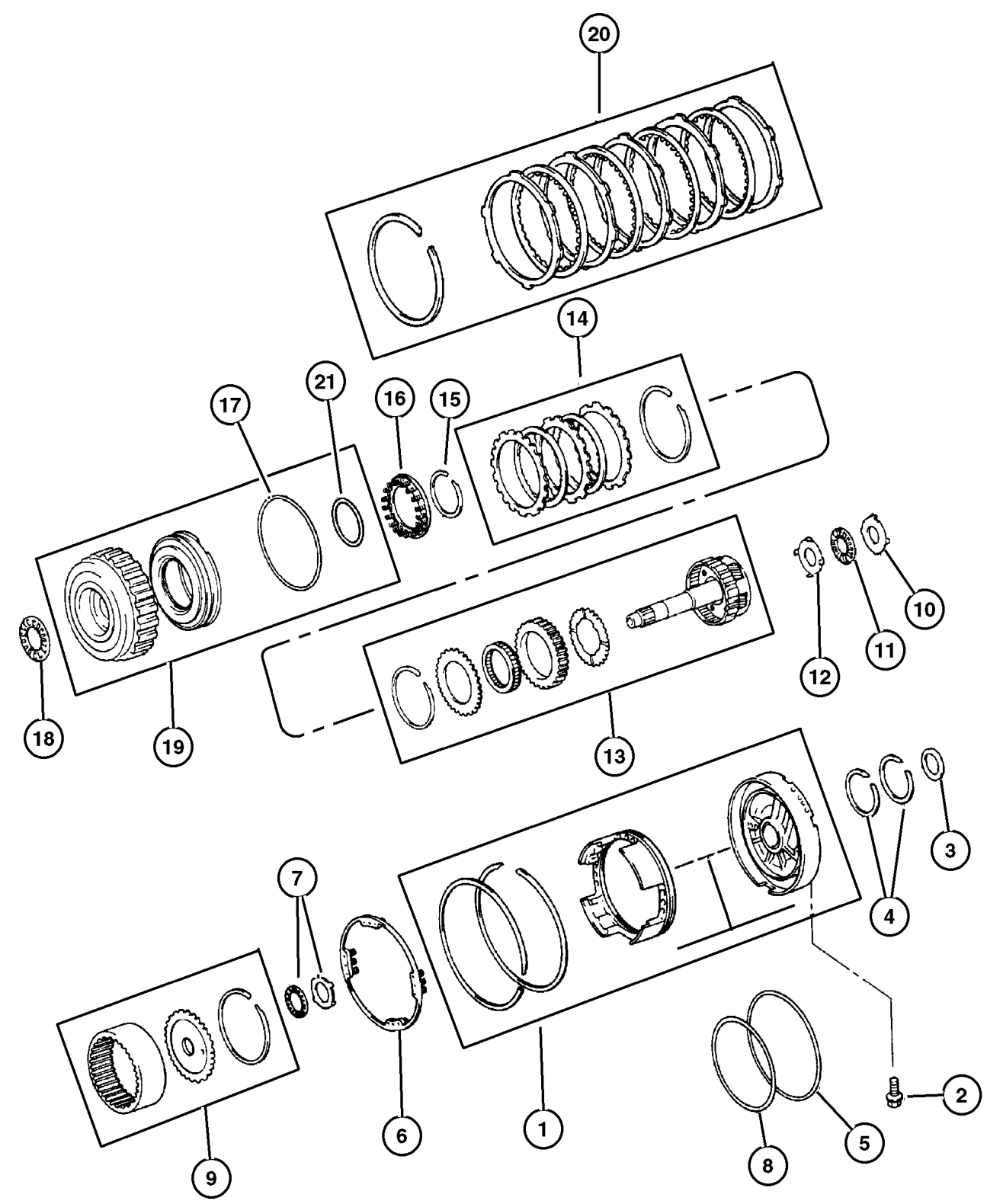
**Overdrive Clutch AW4 (DGS)  
Figure AW4-410**

ITEM	PART NUMBER	QTY	LINE	SERIES	ENGINE	TRANS	DESCRIPTION
Notes: nsmission							
ER0 = All 4.0l 6 Cylinder Gas Engines nsmission							
DGS = Aisin Warner 4 Speed Automatic Transmission nsmission							
1	5016 293AA	1	B, T		ER0	DGS	OVERDRIVE PACKAGE, Support and Piston
		1	J, U			DGS	
2	4796 568	2	B, T		ER0	DGS	BOLT, Overdrive Support
		2	J, U			DGS	
3	8350 3801	1	B, T		ER0	DGS	RACE, Thrust Bearing
		1	J, U			DGS	
4	8350 3757	4	B, T		ER0	DGS	SEAL, Pump Reaction Shaft
		2	J, U			DGS	
5	4636 782	1	B, T		ER0	DGS	O RING, O/Drive Support Outer, Transmission
		1	J, U			DGS	
6	5011 234AA	1	B, T		ER0	DGS	SPRING, Overdrive Brake Return
		1	J, U			DGS	
7	4637 023	1	B, T		ER0	DGS	THRUST BEARING PACKAGE, Overdrive
		1	J, U			DGS	
8	4636 783	1	B, T		ER0	DGS	O RING, O/Drive Support Inner, Transmission
		1	J, U			DGS	
9	4886 128AA	1	B, T		ER0	DGS	GEAR PACKAGE, Planetary Overdrive
		1	J, U			DGS	
10	8350 3916	1	B, T		ER0	DGS	RACE, Thrust Bearing
		1	J, U			DGS	
11	8350 3802	1	B, T		ER0	DGS	THRUST BEARING
		1	J, U			DGS	
12	8350 3915	1	B, T		ER0	DGS	RACE, Thrust Bearing
		1	J, U			DGS	
13	4637 024	1	B, T		ER0	DGS	GEAR PACKAGE, Planetary Overdrive
		1	J, U			DGS	
14							CLUTCH PACKAGE, Direct Clutch

JEEP CHEROKEE (XJ)				
SERIES	LINE	BODY	ENGINE	TRANSMISSION
P=Classic	J=LHD (4WD)	74=4 Dr.(101.4WB)	ENC,EN0=2.5L 4 cyl. Turbo Die	DDD, DDQ=5 spd. Man.
S=Limited	U=RHD (4WD)	72=2 Dr.(101.4WB)	ERH,ER0=4.0L Power Tech I-6	DGS=4 spd. Auto. AISIN
H=Sport	T=LHD (2WD)		EPE,EP0=Magnum 2.5L SMPI	DG0=All Auto/Trans.
L=SE	B=RHD (2WD)			DBB=All Manual Trans.

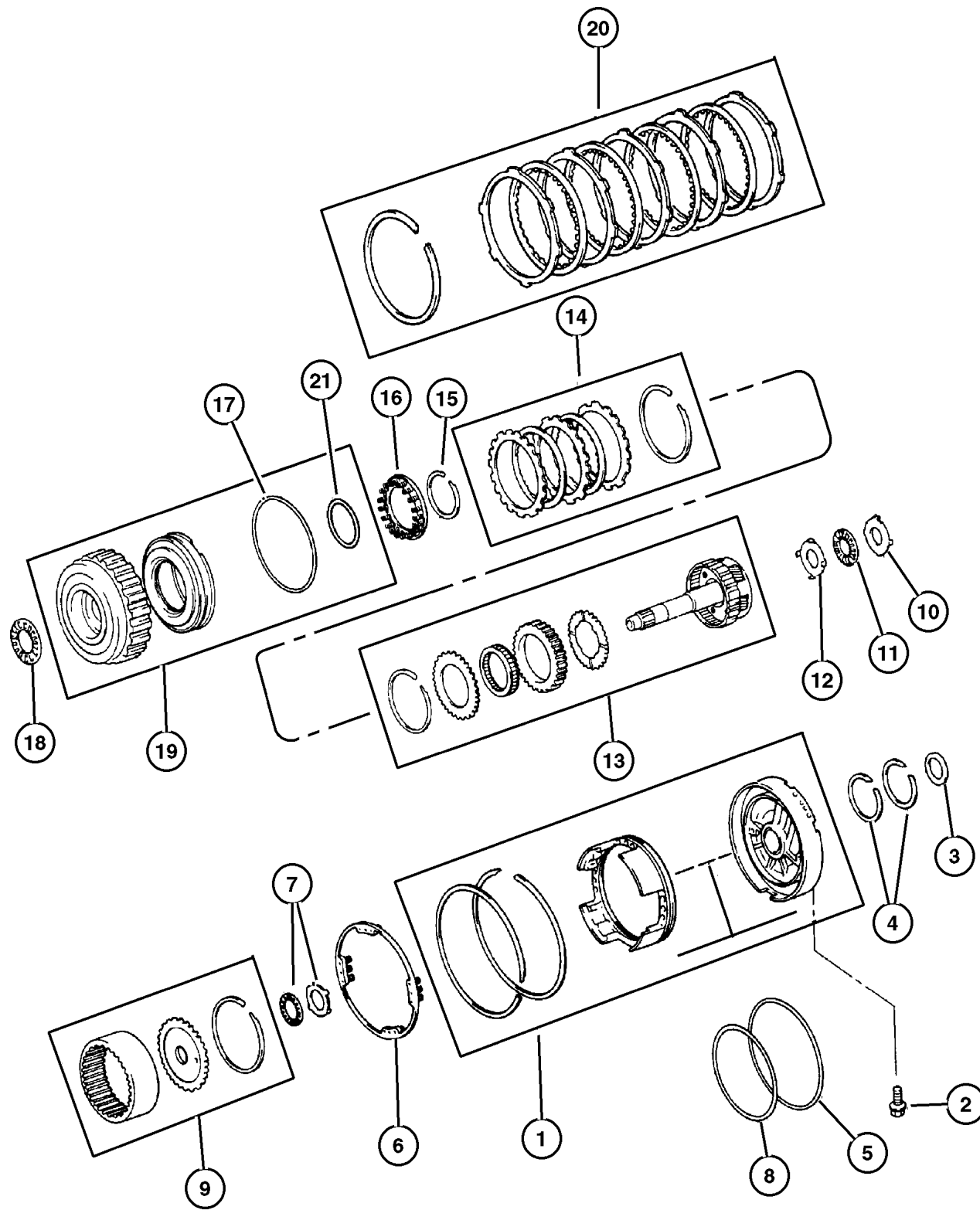
AR = Use as required - = Non illustrated part # = New this model year

April 5, 2002



Overdrive Clutch AW4 (DGS)  
Figure AW4-410

ITEM	PART NUMBER	QTY	LINE	SERIES	ENGINE	TRANS	DESCRIPTION
	4886 043AA	1	B, T		ER0	DGS	
		1	J, U			DGS	
15	8350 3810	1	B, T		ER0	DGS	SNAP RING
		1	J, U			DGS	
16	8350 3928	1	B, T		ER0	DGS	SPRING, Piston Return
		1	J, U			DGS	
17							O RING, Transmission Clutch Piston Outer
	8350 3926	1	B, T		ER0	DGS	
		1	J, U			DGS	
18							BEARING, (NOT SERVICED)
19							DRUM PACKAGE, Transmission
	4637 025AB	1	B, T		ER0	DGS	
		1	J, U			DGS	
20	4886 126AA	1	B, T		ER0	DGS	DISC AND PLATE PACKAGE
	4883 921AA	1	J, U			DGS	
21	8350 3811	1	B, T		ER0	DGS	O RING, Transmission Clutch Piston Inner
		1	J, U			DGS	

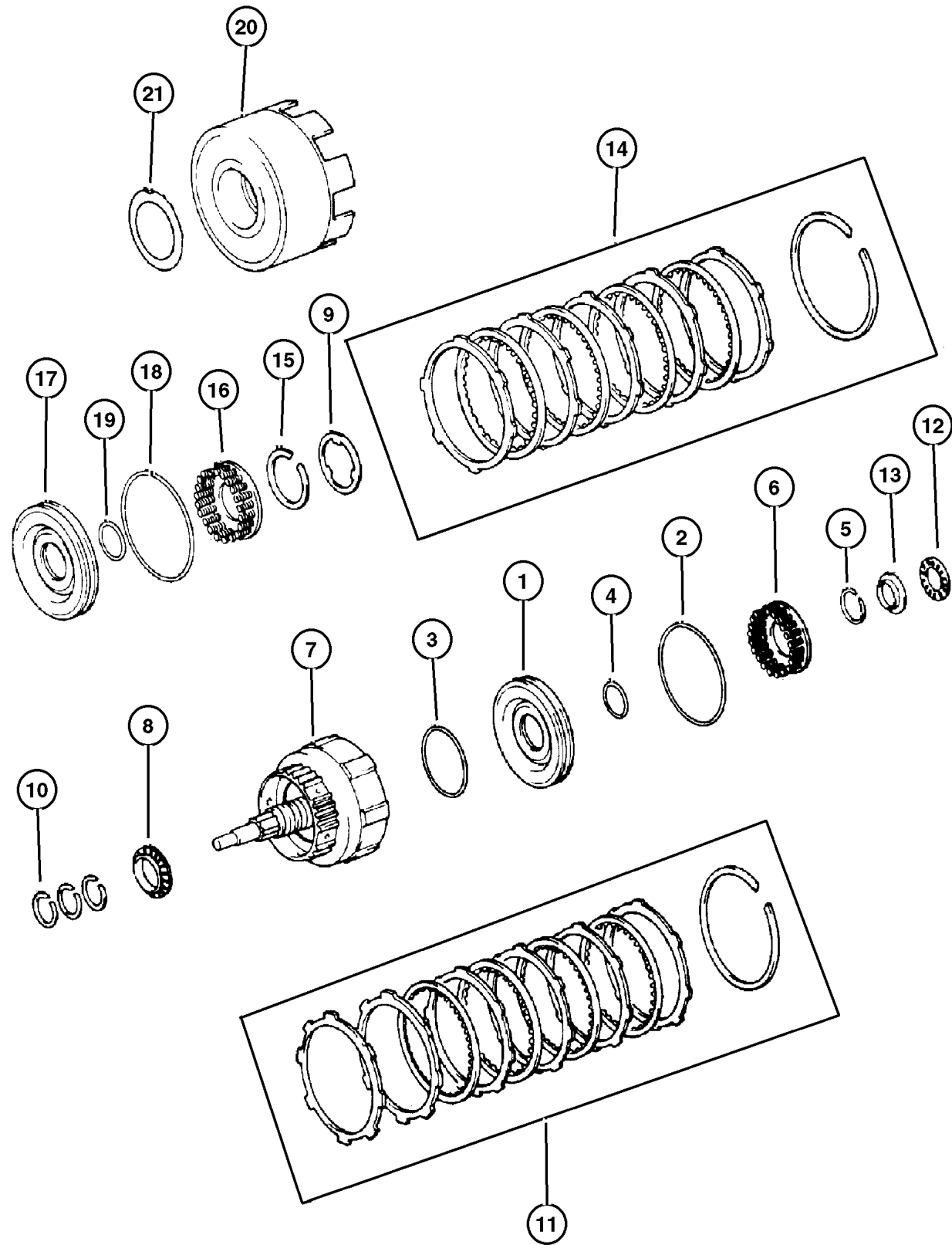


JEEP CHEROKEE (XJ)		BODY	ENGINE	TRANSMISSION
SERIES	LINE	74=4 Dr.(101.4WB)	ENC,EN0=2.5L 4 cyl. Turbo Die	DDD, DDQ=5 spd. Man.
P=Classic	J=LHD (4WD)	72=2 Dr.(101.4WB)	ERH,ER0=4.0L Power Tech I-6	DGS=4 spd. Auto. AISIN
S=Limited	U=RHD (4WD)		EPE,EP0=Magnum 2.5L SMPI	DG0=All Auto/Trans.
H=Sport	T=LHD (2WD)			DBB=All Manual Trans.
L=SE	B=RHD (2WD)			

AR = Use as required - = Non illustrated part # = New this model year

April 5, 2002

**Clutches, Forward and Direct AW4 (DGS)  
Figure AW4-420**



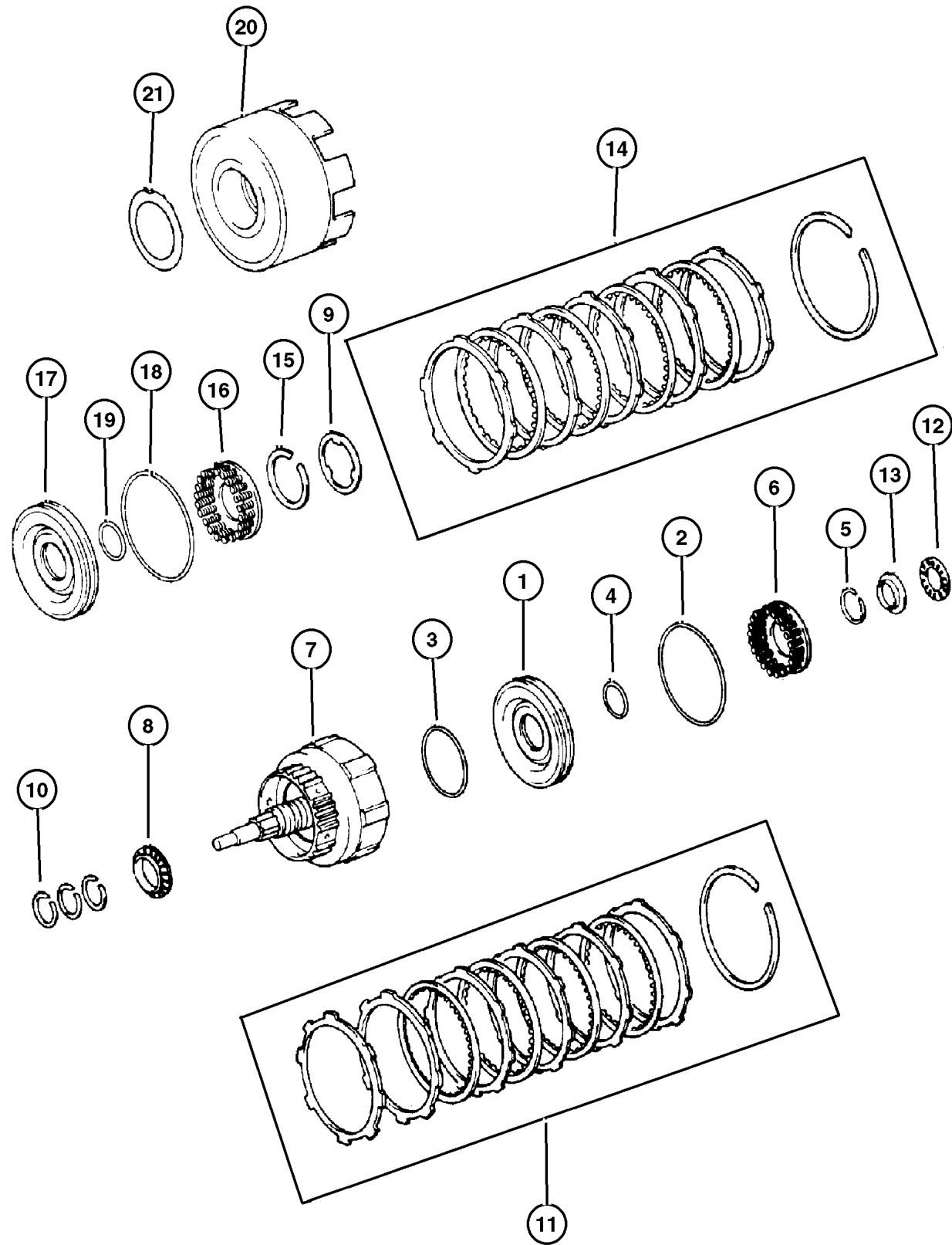
ITEM	PART NUMBER	QTY	LINE	SERIES	ENGINE	TRANS	DESCRIPTION
Notes: nsmission							
ER0 = All 4.0l 6 Cylinder Gas Engines nsmission							
DGS = Aisin Warner 4 Speed Automatic Transmission nsmission							
1	4636 683	1	B, T		ER0	DGS	PISTON, Clutch
2	4637 006	1	J, U			DGS	O RING, Transmission Clutch
		1	B, T		ER0	DGS	
3	4626 170	1	J, U			DGS	O RING, Transmission Clutch
		1	B, T		ER0	DGS	
4	4626 176	1	J, U			DGS	O RING, Transmission Clutch
		1	B, T		ER0	DGS	
5	8350 3792	1	J, U			DGS	SNAP RING
		1	B, T		ER0	DGS	
6	8350 3793	1	J, U			DGS	SPRING, Clutch
		1	B, T		ER0	DGS	
7	4626 169	1	J, U			DGS	INPUT SHAFT, Transmission
		1	B, T		ER0	DGS	
8	8350 3785	1	J, U			DGS	BEARING, Forward Clutch
		1	B, T		ER0	DGS	
9	8350 3825	1	J, U			DGS	THRUST WASHER, Direct Clutch
		1	B, T		ER0	DGS	
10	8350 3799	3	J, U			DGS	SEAL, Input Shaft
		3	B, T		ER0	DGS	
11	4637 022	1	J, U			DGS	CLUTCH, Front
		1	B, T		ER0	DGS	
12	8350 3802	1	J, U			DGS	THRUST BEARING
		1	B, T		ER0	DGS	
13	8350 3800	1	J, U			DGS	RACE, Thrust Bearing 52104180AB
		1	B, T		ER0	DGS	
14							CLUTCH PACKAGE, Direct Clutch

<b>JEEP CHEROKEE (XJ)</b>				
SERIES	LINE	BODY	ENGINE	TRANSMISSION
P=Classic	J=LHD (4WD)	74=4 Dr.(101.4WB)	ENC,EN0=2.5L 4 cyl. Turbo Die	DDD, DDQ=5 spd. Man.
S=Limited	U=RHD (4WD)	72=2 Dr.(101.4WB)	ERH,ER0=4.0L Power Tech I-6	DGS=4 spd. Auto. AISIN
H=Sport	T=LHD (2WD)		EPE,EP0=Magnum 2.5L SMPI	DG0=All Auto/Trans.
L=SE	B=RHD (2WD)			DBB=All Manual Trans.

AR = Use as required - = Non illustrated part # = New this model year

April 5, 2002

**Clutches, Forward and Direct AW4 (DGS)  
Figure AW4-420**



ITEM	PART NUMBER	QTY	LINE	SERIES	ENGINE	TRANS	DESCRIPTION
	4886 043AA	1	B, T		ER0	DGS	
		1	J, U			DGS	
15	8350 3792	1	B, T		ER0	DGS	SNAP RING
		1	J, U			DGS	
16	8350 3793	1	B, T		ER0	DGS	SPRING, Clutch
		1	J, U			DGS	
17							PISTON, Clutch
	4636 683	1	B, T		ER0	DGS	
		1	J, U			DGS	
18							O RING, Transmission Clutch
	4637 006	1	B, T		ER0	DGS	
		AR	J, U			DGS	
19	8350 3811	1	B, T		ER0	DGS	O RING, Transmission Clutch Piston Inner
		1	J, U			DGS	52104180AB
20							DRUM, Automatic Transmission
	4883 917AA	1	B, T		ER0	DGS	
		1	J, U			DGS	
21							THRUST WASHER, Direct Clutch, (NOT SERVICED)

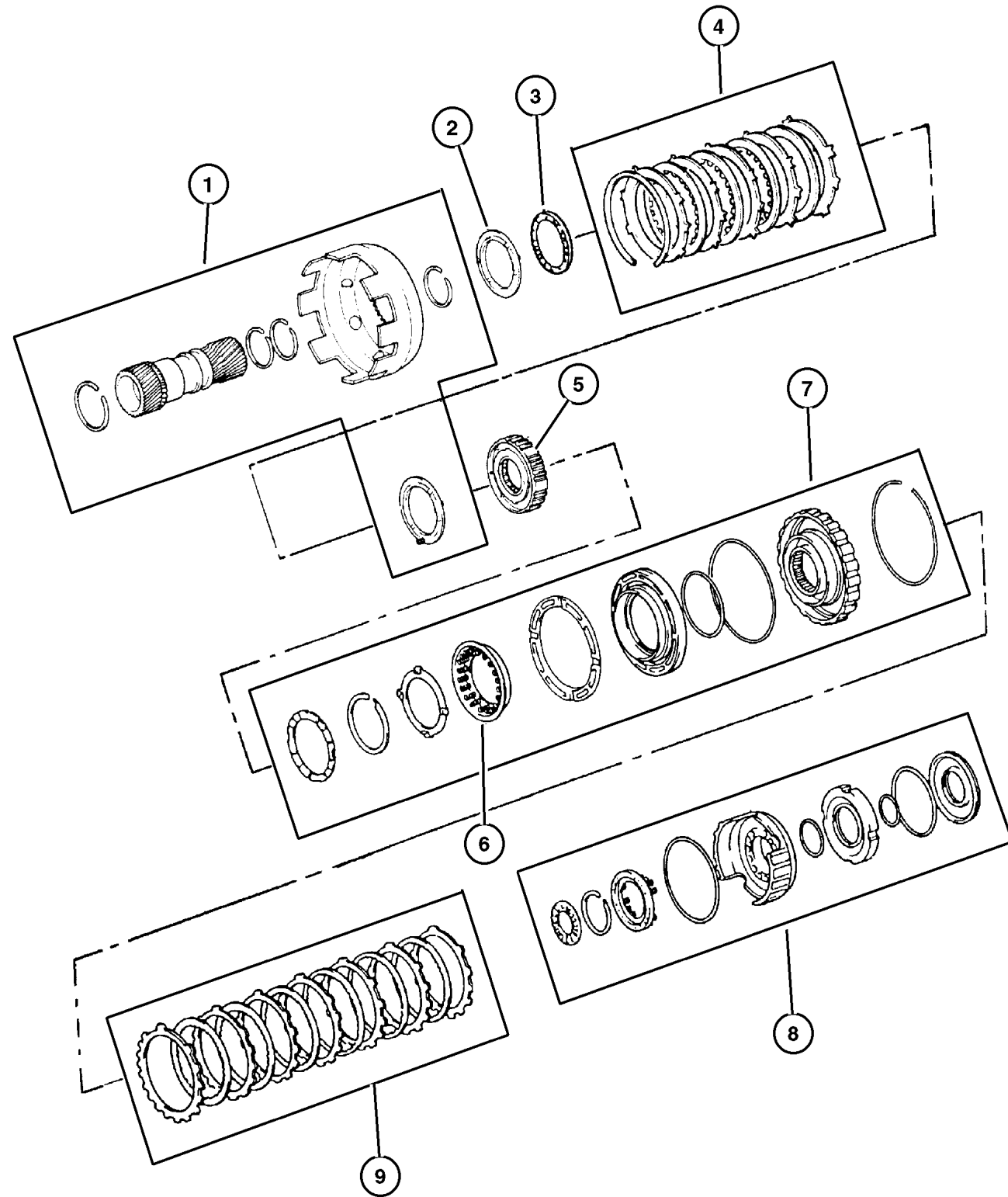
<b>JEEP CHEROKEE (XJ)</b>				
SERIES	LINE	BODY	ENGINE	TRANSMISSION
P=Classic	J=LHD (4WD)	74=4 Dr.(101.4WB)	ENC,EN0=2.5L 4 cyl. Turbo Die	DDD, DDQ=5 spd. Man.
S=Limited	U=RHD (4WD)	72=2 Dr.(101.4WB)	ERH,ER0=4.0L Power Tech I-6	DGS=4 spd. Auto. AISIN
H=Sport	T=LHD (2WD)		EPE,EP0=Magnum 2.5L SMPI	DG0=All Auto/Trans.
L=SE	B=RHD (2WD)			DBB=All Manual Trans.

AR = Use as required - = Non illustrated part # = New this model year

April 5, 2002



**Clutch and Sun Gear AW4 (DGS)  
Figure AW4-430**



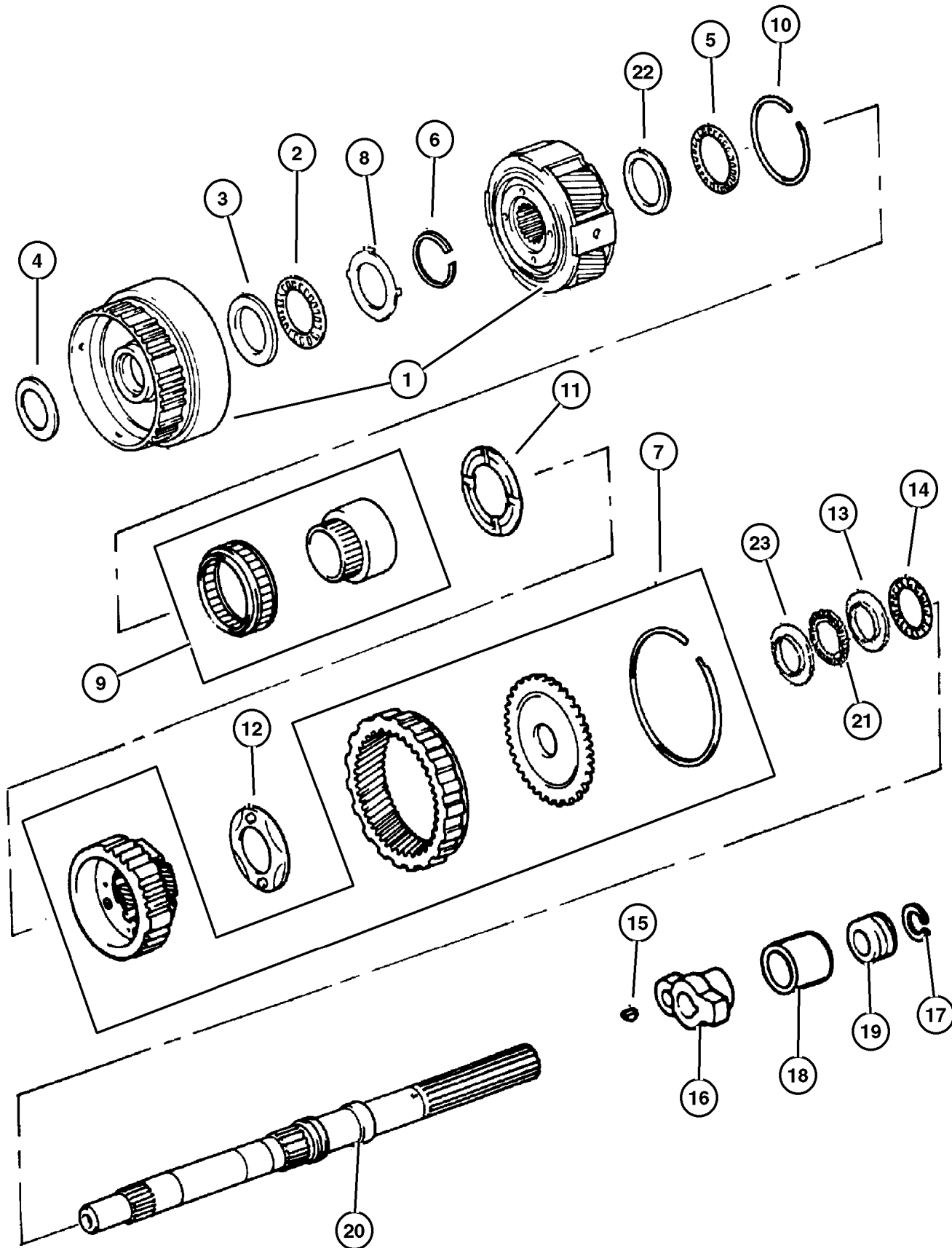
ITEM	PART NUMBER	QTY	LINE	SERIES	ENGINE	TRANS	DESCRIPTION
Notes: nsmission							
ER0 = All 4.0l 6 Cylinder Gas Engines nsmission							
DGS = Aisin Warner 4 Speed Automatic Transmission nsmission							
1							GEAR PACKAGE, Sun
	4637 035	1	B, T		ER0	DGS	
		1	J, U			DGS	
2							RACE, Thrust Bearing
	8350 3872	1	J, U			DGS	
		1	B, T		ER0	DGS	
3							THRUST BEARING, Needle Roller
	8350 3878	1	J, U			DGS	
		1	B, T		ER0	DGS	
4							REPAIR PACKAGE, 2nd Brake Coast
	4886 124AA	1	J, U			DGS	
		1	B, T		ER0	DGS	
5							CLUTCH, Overrunning
	4637 008	1	J, U			DGS	
		1	B, T		ER0	DGS	
6							SPRING, Return 2nd Brake
	8350 3837	1	J, U			DGS	
		1	B, T		ER0	DGS	
7							REPAIR PACKAGE, 2nd Brake Coast
	4636 979	1	J, U			DGS	
		1	B, T		ER0	DGS	
8							GEAR PACKAGE, First And Reverse
	4637 032	1	J, U			DGS	
		1	B, T		ER0	DGS	
9							DISC AND PLATE PACKAGE
	4883 921AA	1	J, U			DGS	
		1	B, T		ER0	DGS	

<b>JEEP CHEROKEE (XJ)</b>				
SERIES	LINE	BODY	ENGINE	TRANSMISSION
P=Classic	J=LHD (4WD)	74=4 Dr.(101.4WB)	ENC,EN0=2.5L 4 cyl. Turbo Die	DDD, DDQ=5 spd. Man.
S=Limited	U=RHD (4WD)	72=2 Dr.(101.4WB)	ERH,ER0=4.0L Power Tech I-6	DGS=4 spd. Auto. AISIN
H=Sport	T=LHD (2WD)		EPE,EP0=Magnum 2.5L SMPI	DG0=All Auto/Trans.
L=SE	B=RHD (2WD)			DBB=All Manual Trans.

AR = Use as required - = Non illustrated part # = New this model year

April 5, 2002

**Gear Train AW4 (DGS)  
Figure AW4-440**



ITEM	PART NUMBER	QTY	LINE	SERIES	ENGINE	TRANS	DESCRIPTION
Notes: nsmission							
ER0 = All 4.0L 6 Cylinder Gas Engines nsmission							
DGS = Aisin Warner 4 Speed Automatic Transmission nsmission							
1	8350 4326	1	B, T		ER0	DGS	GEAR, Planetary
		1	J, U			DGS	
2	8350 3802	1	B, T		ER0	DGS	THRUST BEARING
		1	J, U			DGS	
3	4637 023	1	B, T		ER0	DGS	THRUST BEARING PACKAGE, Overdrive
		1	J, U			DGS	
4	8350 3801	1	B, T		ER0	DGS	RACE, Thrust Bearing
		1	J, U			DGS	
5	8350 3878	1	B, T		ER0	DGS	THRUST BEARING, Needle Roller
		1	J, U			DGS	
6	8350 3879	1	B, T		ER0	DGS	SNAP RING
		1	J, U			DGS	
7	4637 024	1	B, T		ER0	DGS	GEAR PACKAGE, Planetary Overdrive
		1	J, U			DGS	
8	4637 023	1	B, T		ER0	DGS	THRUST BEARING PACKAGE, Overdrive
		1	J, U			DGS	
9	4637 036	1	B, T		ER0	DGS	CLUTCH PACKAGE
		1	J, U			DGS	
10	8350 3890	1	B, T		ER0	DGS	SNAP RING
		1	J, U			DGS	
11	8350 3891	1	B, T		ER0	DGS	THRUST WASHER, Planetary Carrier
		1	J, U			DGS	
12	8350 3893	1	B, T		ER0	DGS	THRUST WASHER, Planetary Carrier
		1	J, U			DGS	
13	8350 3887	1	B, T		ER0	DGS	RACE, Thrust Bearing
		1	J, U			DGS	
14							THRUST BEARING, Needle Roller

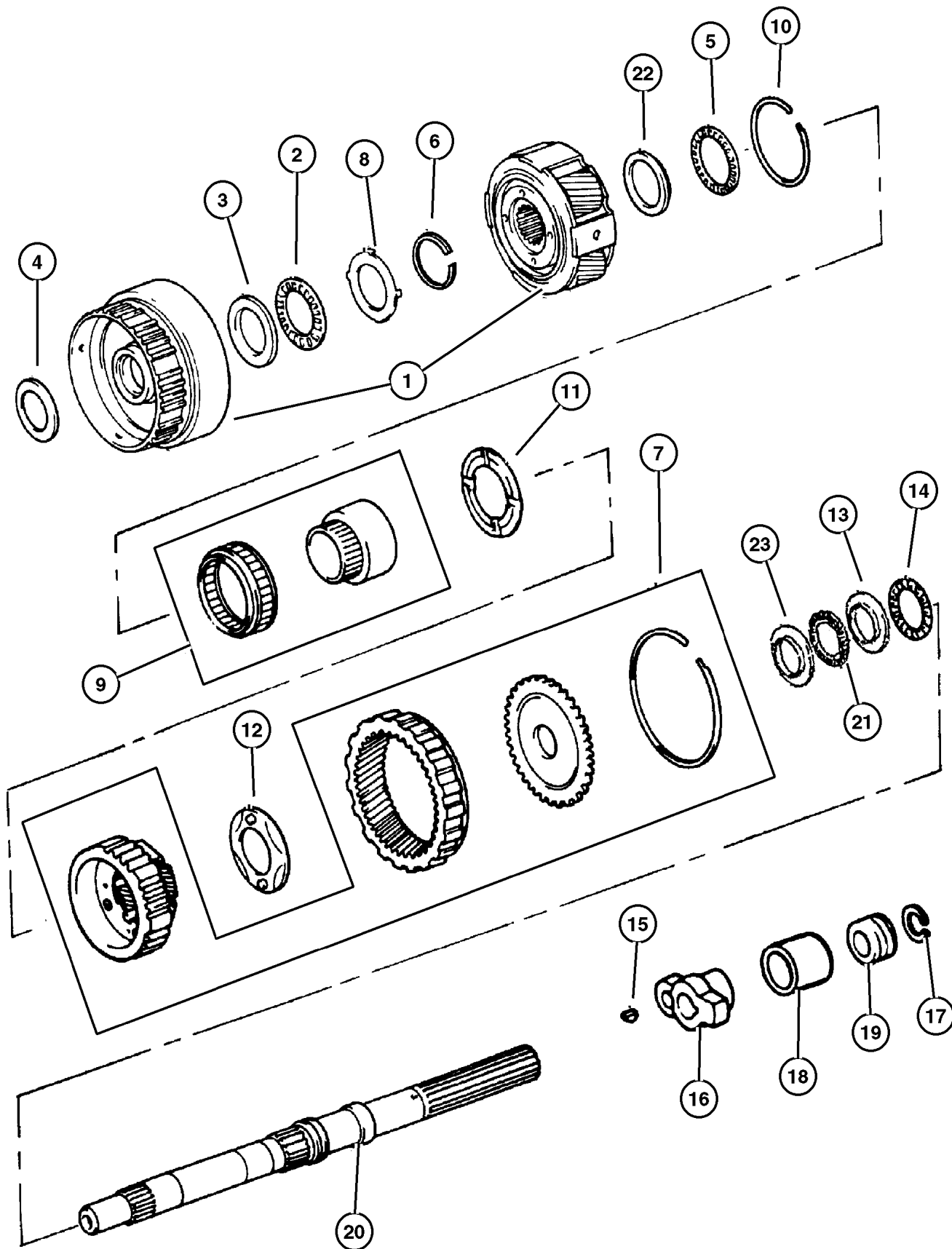
**JEEP CHEROKEE (XJ)**

SERIES	LINE	BODY	ENGINE	TRANSMISSION
P=Classic	J=LHD (4WD)	74=4 Dr.(101.4WB)	ENC,EN0=2.5L 4 cyl. Turbo Die	DDD, DDQ=5 spd. Man.
S=Limited	U=RHD (4WD)	72=2 Dr.(101.4WB)	ERH,ER0=4.0L Power Tech I-6	DGS=4 spd. Auto. AISIN
H=Sport	T=LHD (2WD)		EPE,EP0=Magnum 2.5L SMPI	DG0=All Auto/Trans.
L=SE	B=RHD (2WD)			DBB=All Manual Trans.

AR = Use as required - = Non illustrated part # = New this model year

April 5, 2002

**Gear Train AW4 (DGS)  
Figure AW4-440**



ITEM	PART NUMBER	QTY	LINE	SERIES	ENGINE	TRANS	DESCRIPTION
	8350 3897	1	B, T		ER0	DGS	
		1	J, U			DGS	
15	8350 3947	1	B, T		ER0	DGS	KEY, Woodruff
		1	J, U			DGS	
16							SENSOR, Transmission Output Speed
	4897 740AA	1	J, U			DGS	
	4897 740AB	1	B, T		ER0	DGS	
17							SNAP RING
	8350 3943	1	J, U			DGS	
	8350 3945	1	B, T		ER0	DGS	
18	8350 3705	1	B, T		ER0	DGS	SPACER, Speedometer Gear
19	8350 3704	1	B, T		ER0	DGS	GEAR, Speedometer Drive
20							MAINSHAFT, Transmission
	8350 3944	1	B, T		ER0	DGS	
	4636 789	1	J, U			DGS	
21							THRUST BEARING, Needle Roller
	8350 3885	1	B, T		ER0	DGS	
		1	J, U			DGS	
22							RACE, Thrust Bearing
	8350 3877	1	B, T		ER0	DGS	
		1	J, U			DGS	
23							RACE, Thrust Bearing
	8350 3886	1	B, T		ER0	DGS	
		1	J, U			DGS	

**JEEP CHEROKEE (XJ)**

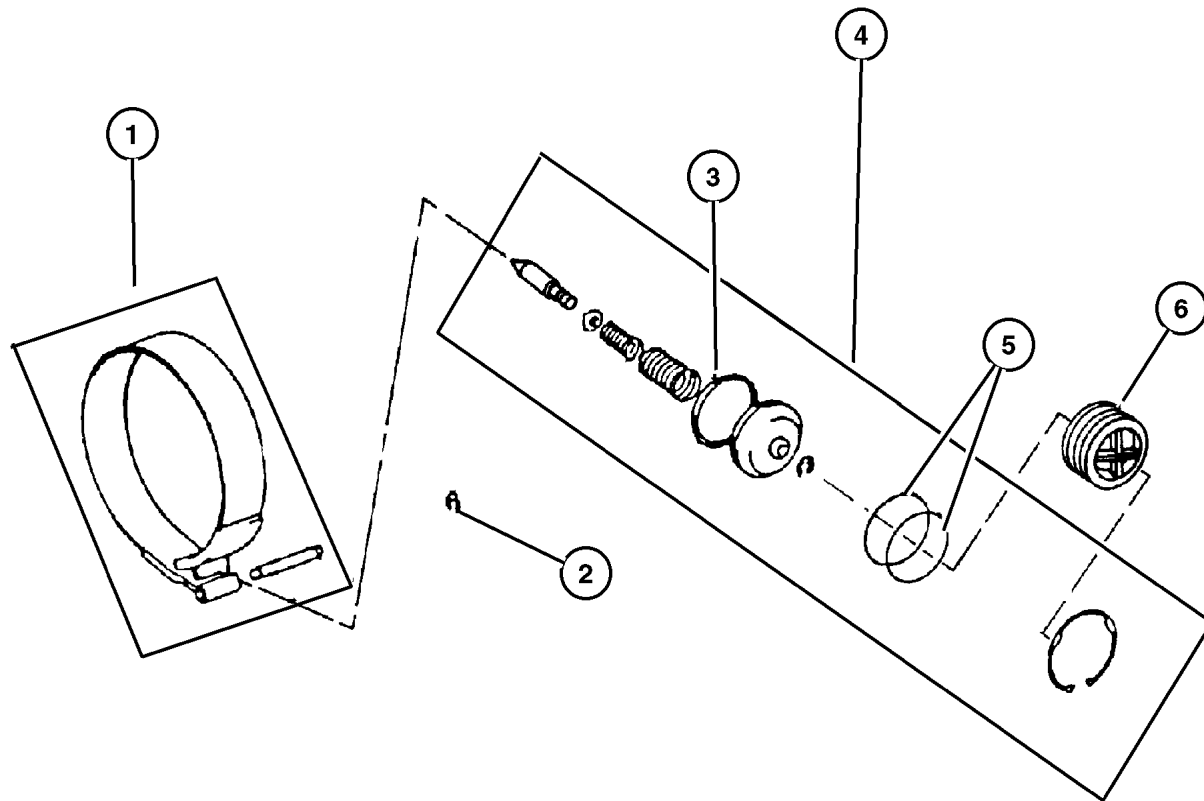
SERIES	LINE	BODY	ENGINE	TRANSMISSION
P=Classic	J=LHD (4WD)	74=4 Dr.(101.4WB)	ENC,EN0=2.5L 4 cyl. Turbo Die	DDD, DDQ=5 spd. Man.
S=Limited	U=RHD (4WD)	72=2 Dr.(101.4WB)	ERH,ER0=4.0L Power Tech I-6	DGS=4 spd. Auto. AISIN
H=Sport	T=LHD (2WD)		EPE,EP0=Magnum 2.5L SMPI	DG0=All Auto/Trans.
L=SE	B=RHD (2WD)			DBB=All Manual Trans.

AR = Use as required - = Non illustrated part # = New this model year

April 5, 2002

**Bands AW4 (DGS)  
Figure AW4-510**

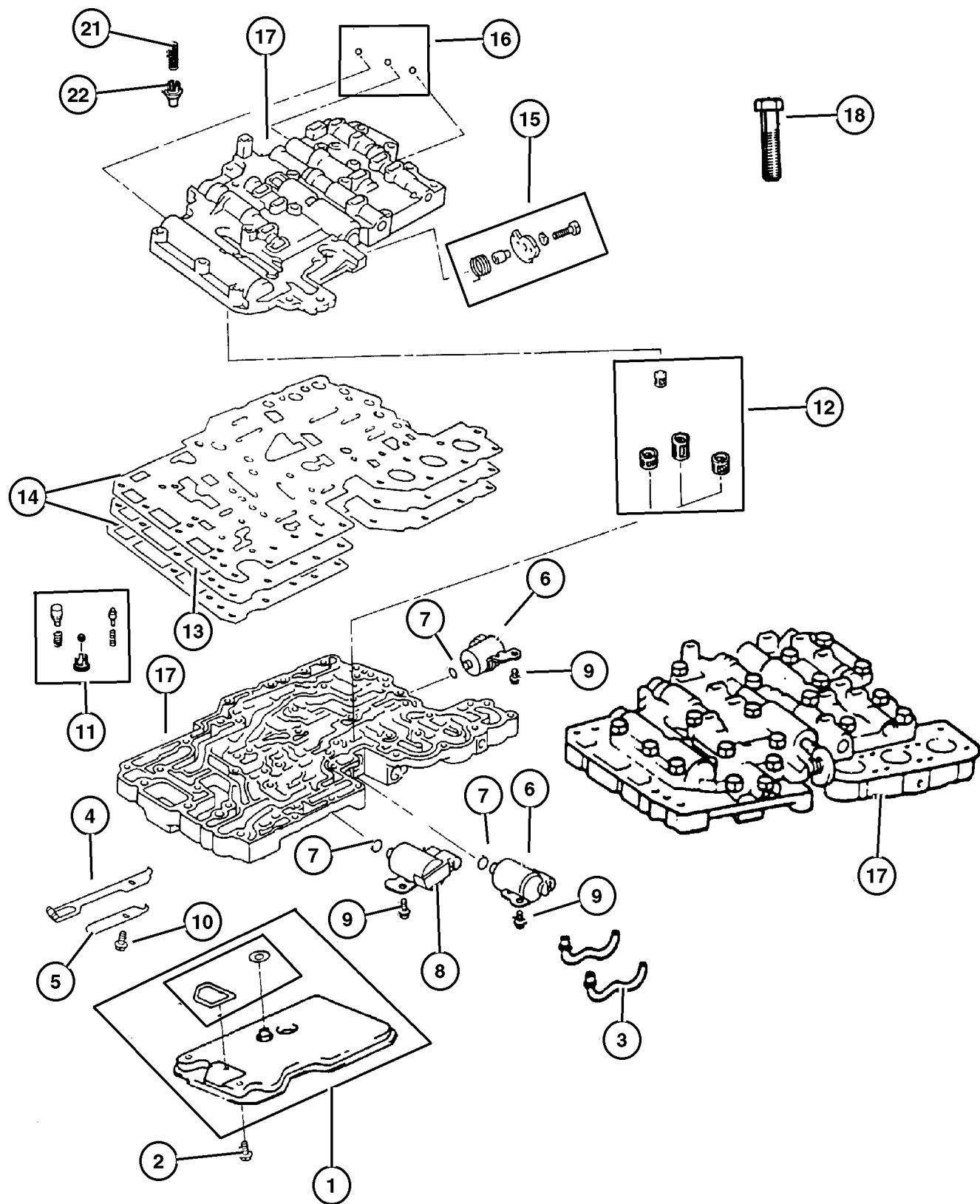
ITEM	PART NUMBER	QTY	LINE	SERIES	ENGINE	TRANS	DESCRIPTION
Notes: nsmission							
ER0 = All 4.0L 6 Cylinder Gas Engines nsmission							
DGS = Aisin Warner 4 Speed Automatic Transmission nsmission							
1	4886 125AA	1	B, T		ER0	DGS	BAND PACKAGE, Transmission Brake
		1	J, U			DGS	
2							E RING, (NOT SERVICED)
3	8350 3849	1	B, T		ER0	DGS	SEAL, Transmission Brake
		1	J, U			DGS	
4	8350 4299	1	B, T		ER0	DGS	PISTON, Brake
		1	J, U			DGS	
5	8350 3855	2	B, T		ER0	DGS	O RING, Transmission Coast Break
		2	J, U			DGS	
6	8350 3853	1	B, T		ER0	DGS	COVER, Brake Band
		1	J, U			DGS	



JEEP CHEROKEE (XJ)				
SERIES	LINE	BODY	ENGINE	TRANSMISSION
P=Classic	J=LHD (4WD)	74=4 Dr.(101.4WB)	ENC,EN0=2.5L 4 cyl. Turbo Die	DDD, DDQ=5 spd. Man.
S=Limited	U=RHD (4WD)	72=2 Dr.(101.4WB)	ERH,ER0=4.0L Power Tech I-6	DGS=4 spd. Auto. AISIN
H=Sport	T=LHD (2WD)		EPE,EP0=Magnum 2.5L SMPI	DG0=All Auto/Trans.
L=SE	B=RHD (2WD)			DBB=All Manual Trans.

AR = Use as required - = Non illustrated part # = New this model year

## Valve Body AW4 (DGS) Figure AW4-710



ITEM	PART NUMBER	QTY	LINE	SERIES	ENGINE	TRANS	DESCRIPTION
Notes: nsmission							
ER0 = All 4.0l 6 Cylinder Gas Engines nsmission							
DGS = Aisin Warner 4 Speed Automatic Transmission nsmission							
1	8350 4032	1	B, T		ER0	DGS	FILTER, Valve Body
		1	J, U			DGS	
2	8350 4031	4	B, T		ER0	DGS	BOLT, Hex Head, M6x1.00x12
		4	J, U			DGS	
3	8350 4334	2	B, T		ER0	DGS	TUBE, Valve Body
		2	J, U			DGS	
4	8350 4016	1	B, T		ER0	DGS	SPRING, Detent Manual
		1	J, U			DGS	
5	8350 4015	1	B, T		ER0	DGS	COVER, Transmission Detent
		1	J, U			DGS	
6	5016 120AA	2	J, U			DGS	SOLENOID, Transmission
		2	B, T		ER0	DGS	
7	8350 4065	2	B, T		ER0	DGS	O RING, Transmission Valve Body Solenoid
		1	B, T		ER0	DGS	52104180AB
		4	B, T		ER0	DGS	
8	#5016 121AA	1	J, U			DGS	SOLENOID, Transmission
		1	B, T		ER0	DGS	
9	8350 4031	3	B, T		ER0	DGS	BOLT, Hex Head, M6x1.00x12
		4	J, U			DGS	
10	8350 4014	1	B, T		ER0	DGS	BOLT, M6x1.00x32
	8350 3783	2	J, U			DGS	
11	8350 4042	1	B, T		ER0	DGS	BODY, Check Ball
		1	J, U			DGS	
12	8350 4336	1	B, T		ER0	DGS	FILTER, Valve Body
		1	J, U			DGS	
13	4637 468	1	J, U			DGS	PLATE, Transmission Valve Body

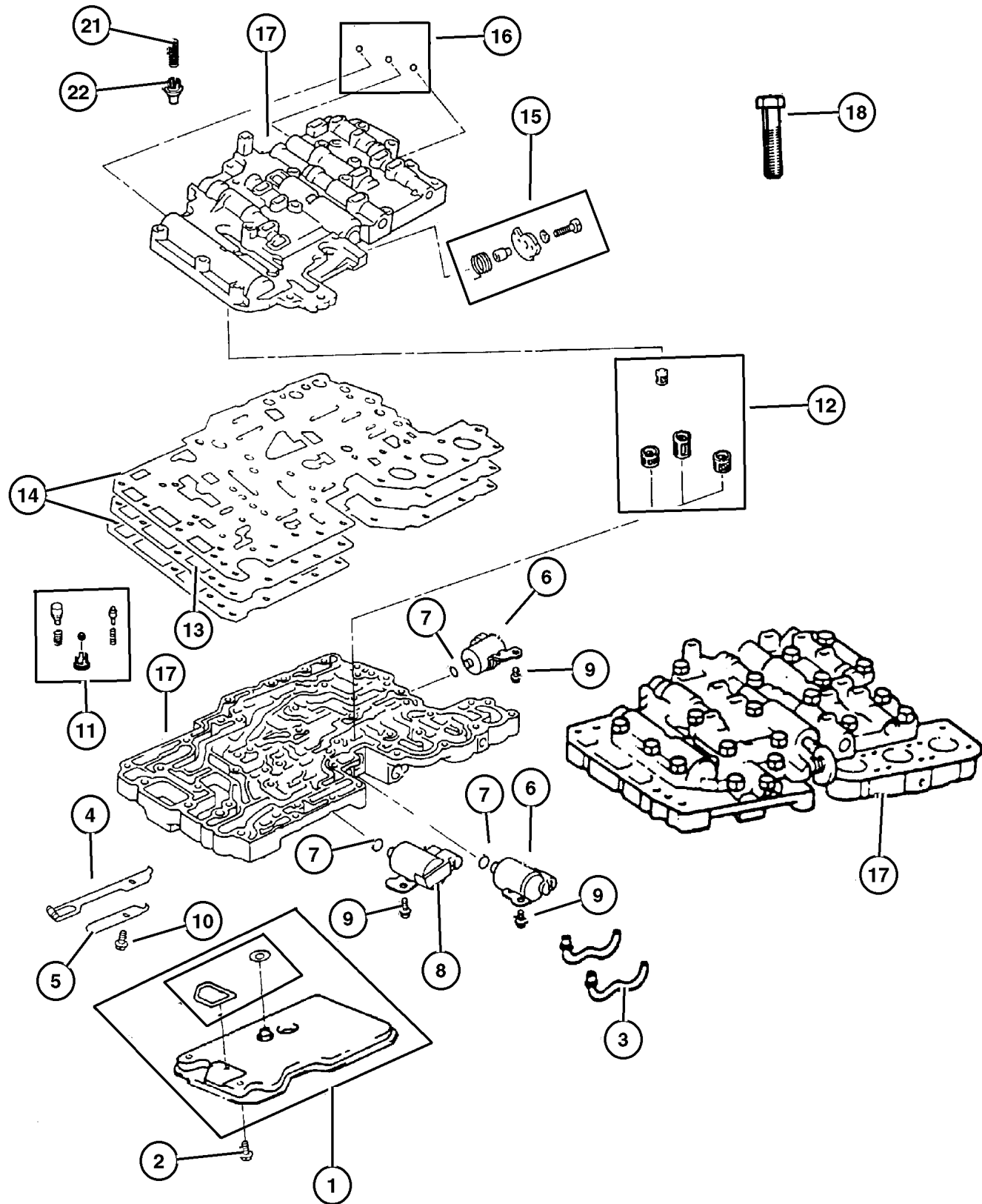
### JEEP CHEROKEE (XJ)

SERIES	LINE	BODY	ENGINE	TRANSMISSION
P=Classic	J=LHD (4WD)	74=4 Dr.(101.4WB)	ENC,EN0=2.5L 4 cyl. Turbo Die	DDD, DDQ=5 spd. Man.
S=Limited	U=RHD (4WD)	72=2 Dr.(101.4WB)	ERH,ER0=4.0L Power Tech I-6	DGS=4 spd. Auto. AISIN
H=Sport	T=LHD (2WD)		EPE,EP0=Magnum 2.5L SMPI	DG0=All Auto/Trans.
L=SE	B=RHD (2WD)			DBB=All Manual Trans.

AR = Use as required - = Non illustrated part # = New this model year

April 5, 2002

Valve Body AW4 (DGS)  
Figure AW4-710



ITEM	PART NUMBER	QTY	LINE	SERIES	ENGINE	TRANS	DESCRIPTION
		1	B, T		ER0	DGS	
14	4882 361	1	B, T		ER0	DGS	GASKET, Valve Body
		1	J, U			DGS	
15	4637 026	1	B, T		ER0	DGS	CAM PACKAGE, Throttle Valve
		1	J, U			DGS	
16	4637 031	1	B, T		ER0	DGS	CHECK BALL PACKAGE, Valve Body 52104180AB
		1	J, U			DGS	
17	4797 404	1	B, T		ER0	DGS	VALVE BODY
		1	J, U			DGS	
18	8350 4031	3	B, T		ER0	DGS	BOLT, Hex Head, M6x1.00x12 52104180AB
		4	J, U			DGS	
-19	8350 4014	1	B, T		ER0	DGS	BOLT, M6x1.00x32
		1	J, U			DGS	
-20	8350 4011	9	B, T		ER0	DGS	BOLT
	8350 4012	3	B, T		ER0	DGS	
	8350 4013	13	B, T		ER0	DGS	
	8350 4011	9	J, U			DGS	
	8350 4012	3	J, U			DGS	
	8350 4013	13	J, U			DGS	
21	8350 4036	1	B, T		ER0	DGS	SPRING, Accumulator
		1	J, U			DGS	
22	8350 4042	1	B, T		ER0	DGS	BODY, Check Ball
		1	J, U			DGS	

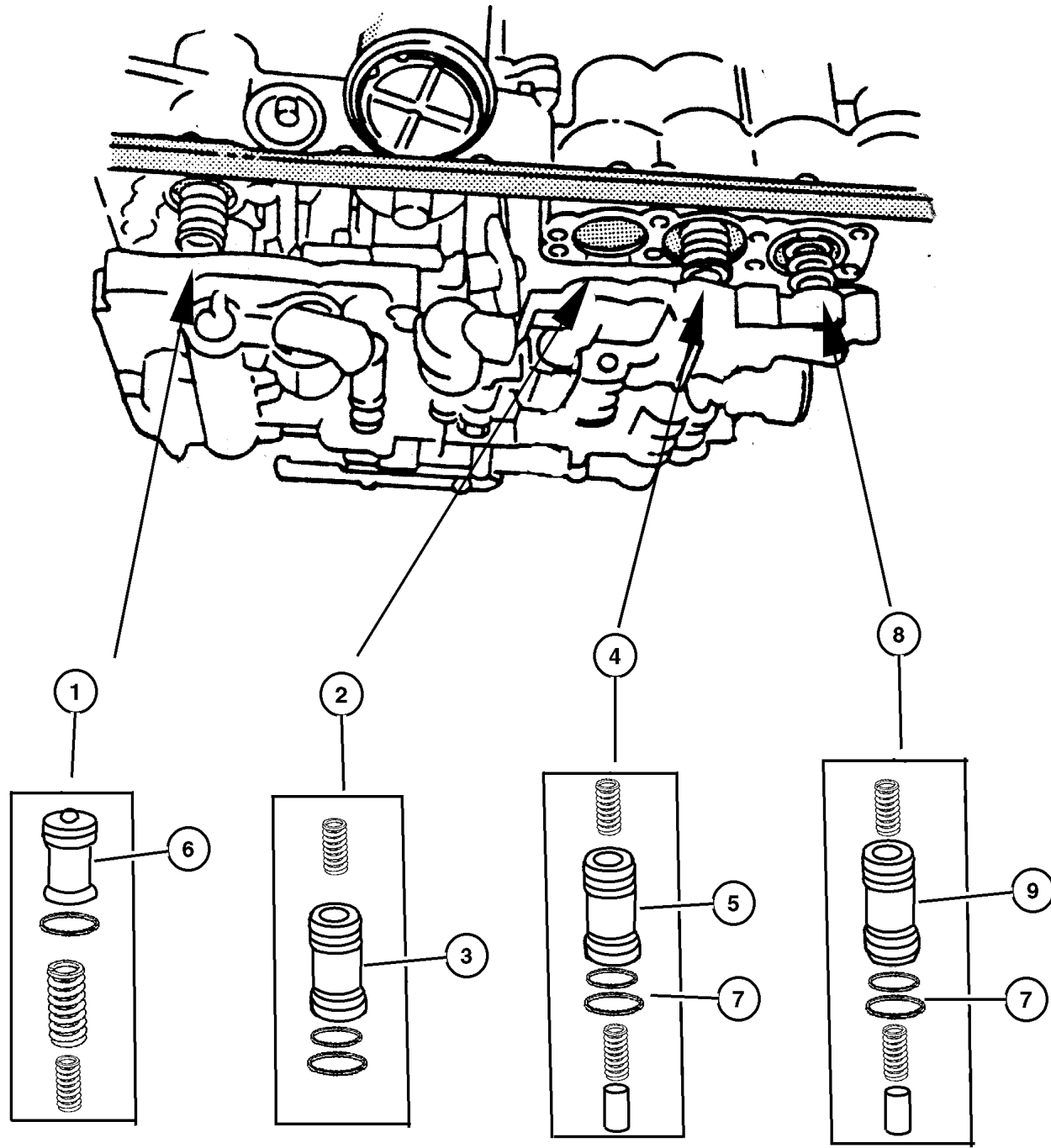
JEEP CHEROKEE (XJ)

SERIES	LINE	BODY	ENGINE	TRANSMISSION
P=Classic	J=LHD (4WD)	74=4 Dr.(101.4WB)	ENC,EN0=2.5L 4 cyl. Turbo Die	DDD, DDQ=5 spd. Man.
S=Limited	U=RHD (4WD)	72=2 Dr.(101.4WB)	ERH,ER0=4.0L Power Tech I-6	DGS=4 spd. Auto. AISIN
H=Sport	T=LHD (2WD)		EPE,EP0=Magnum 2.5L SMPI	DG0=All Auto/Trans.
L=SE	B=RHD (2WD)			DBB=All Manual Trans.

AR = Use as required - = Non illustrated part # = New this model year

April 5, 2002

**Accumulator Piston AW4 (DGS)  
Figure AW4-720**



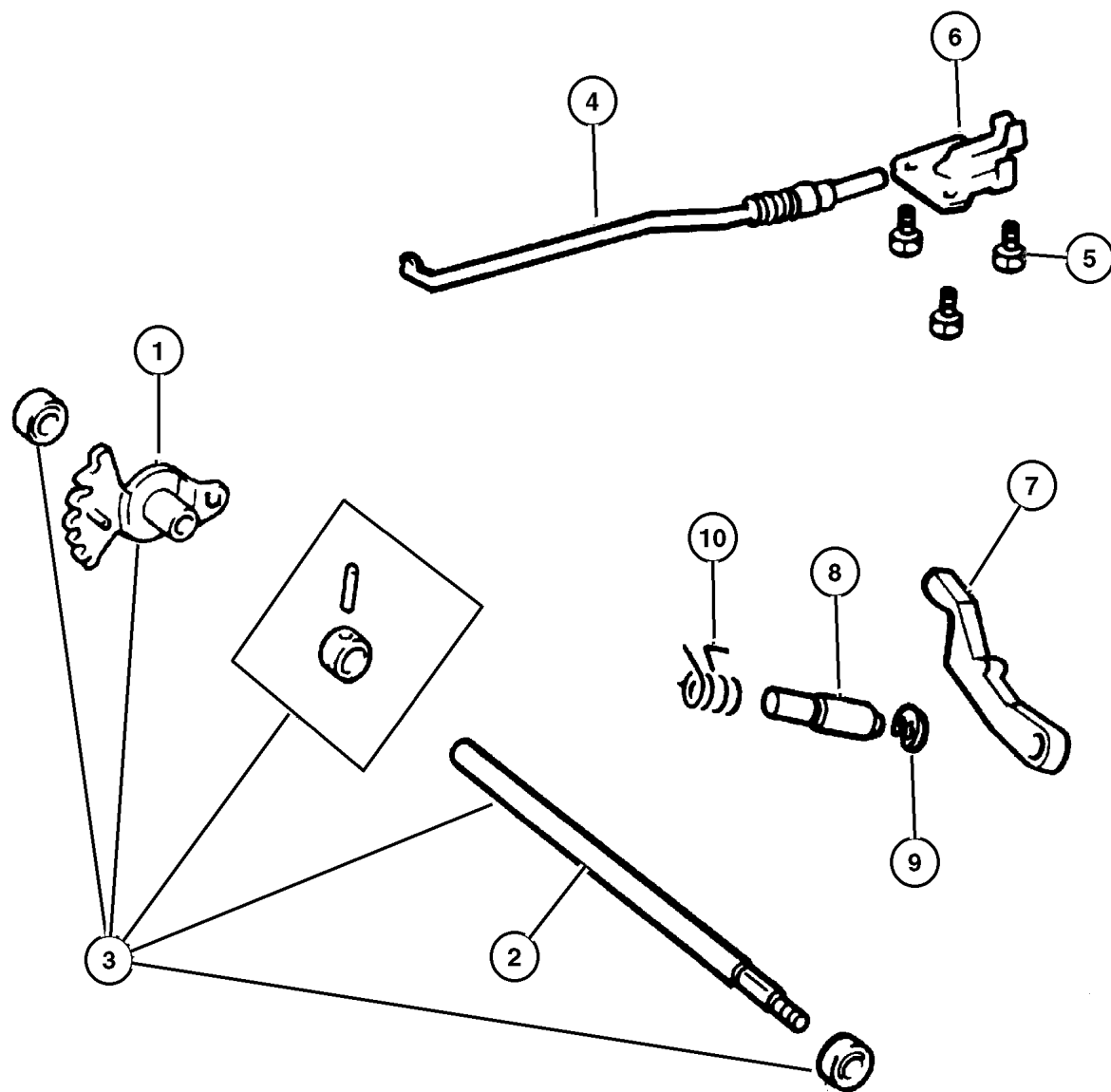
ITEM	PART NUMBER	QTY	LINE	SERIES	ENGINE	TRANS	DESCRIPTION
Notes: nsmission							
ER0 = All 4.0l 6 Cylinder Gas Engines nsmission							
DGS = Aisin Warner 4 Speed Automatic Transmission nsmission							
1	8350 4343	1	J, U			DGS	PISTON, Accumulator
2	4637 028	1	B, T		ER0	DGS	ACCUMULATOR PACKAGE, Piston
			J, U			DGS	
3	4636 788	1	J, U			DGS	PISTON, Accumulator
			B, T		ER0	DGS	
4	4637 029	1	J, U			DGS	ACCUMULATOR PACKAGE, Piston
			B, T		ER0	DGS	
5	4636 786	1	J, U			DGS	PISTON, Accumulator
			B, T		ER0	DGS	
6	8350 4017	1	J, U			DGS	PISTON, Accumulator
			B, T		ER0	DGS	
7	8350 4029	AR	J, U			DGS	O RING, Transmission Accumulator/Strainer
			B, T		ER0	DGS	
8	5003 158AA	1	J, U			DGS	ACCUMULATOR PACKAGE, Piston
			B, T		ER0	DGS	
9	4636 787	1	J, U			DGS	PISTON, Accumulator
			B, T		ER0	DGS	

JEEP CHEROKEE (XJ)				
SERIES	LINE	BODY	ENGINE	TRANSMISSION
P=Classic	J=LHD (4WD)	74=4 Dr.(101.4WB)	ENC,EN0=2.5L 4 cyl. Turbo Die	DDD, DDQ=5 spd. Man.
S=Limited	U=RHD (4WD)	72=2 Dr.(101.4WB)	ERH,ER0=4.0L Power Tech I-6	DGS=4 spd. Auto. AISIN
H=Sport	T=LHD (2WD)		EPE,EP0=Magnum 2.5L SMPI	DG0=All Auto/Trans.
L=SE	B=RHD (2WD)			DBB=All Manual Trans.

AR = Use as required - = Non illustrated part # = New this model year

April 5, 2002

**Lock, Parking AW4 (DGS)  
Figure AW4-730**



ITEM	PART NUMBER	QTY	LINE	SERIES	ENGINE	TRANS	DESCRIPTION
Notes: nsmission							
ER0 = All 4.0l 6 Cylinder Gas Engines nsmission							
DGS = Aisin Warner 4 Speed Automatic Transmission nsmission							
1	8350 3774	1	J, U			DGS	LEVER, Manual Valve
2	8350 3725	1	B, T		ER0	DGS	SHAFT, Manual Valve
		1	B, T		ER0	DGS	
3	8350 4332	1	J, U			DGS	LEVER REPAIR PACKAGE, Valve Body
		1	B, T		ER0	DGS	
4	4886 042AA	1	J, U			DGS	ROD, Transmission Pawl
		1	B, T		ER0	DGS	
5	8350 3783	2	J, U			DGS	BOLT, M6x1.00x32
		5	B, T		ER0	DGS	
6	4886 041AA	1	J, U			DGS	BRACKET, Park Lock
		1	B, T		ER0	DGS	
7	4886 040AA	1	J, U			DGS	PAWL, Parking Sprag
		1	B, T		ER0	DGS	
8	8350 3777	1	J, U			DGS	SHAFT, Parking Sprag
		1	B, T		ER0	DGS	
9	8350 3776	1	J, U			DGS	SNAP RING, Parking Pawl
		1	B, T		ER0	DGS	
10	8350 3778	1	J, U			DGS	SPRING, Park Lock
		1	B, T		ER0	DGS	

**JEEP CHEROKEE (XJ)**

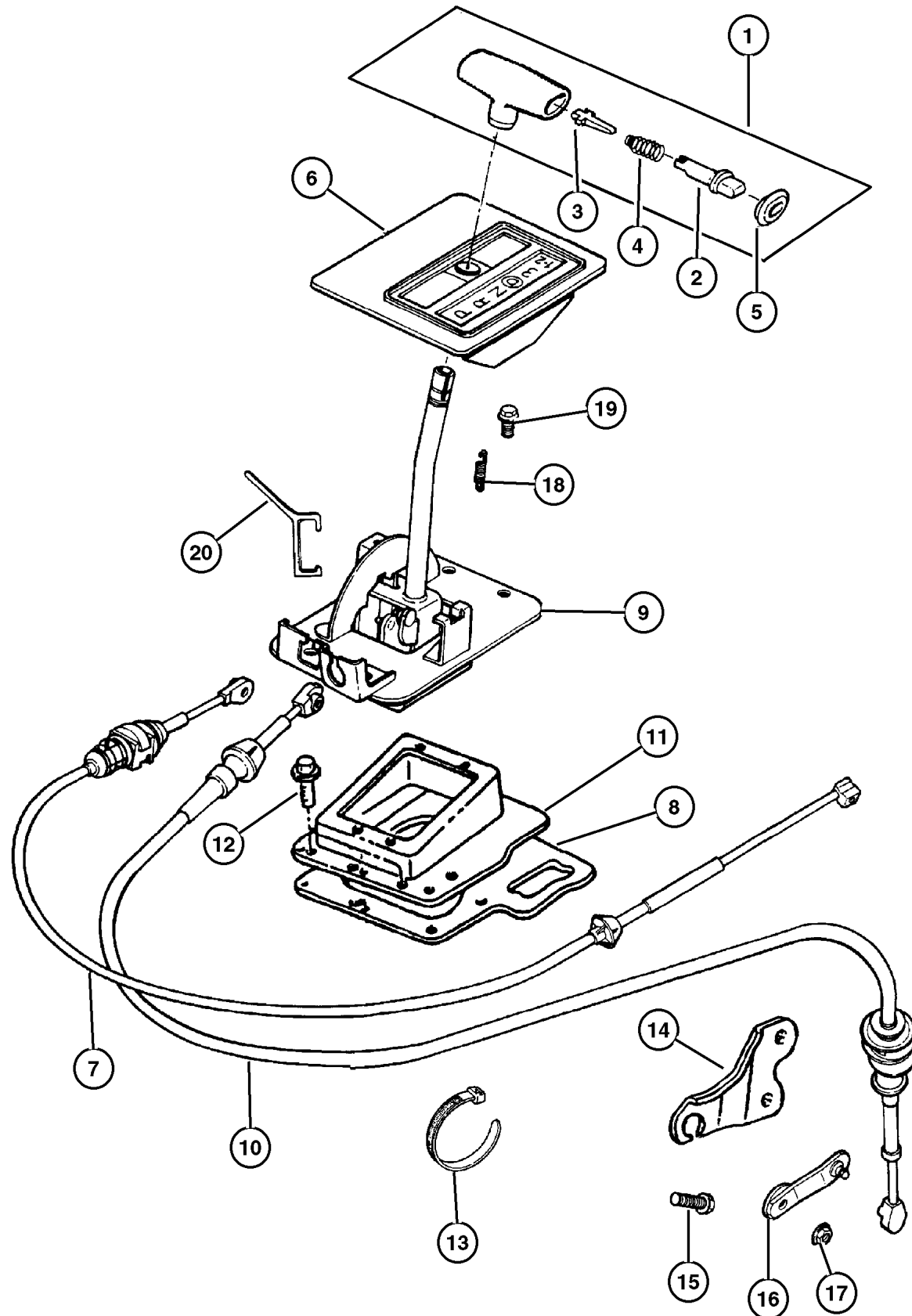
SERIES	LINE	BODY	ENGINE	TRANSMISSION
P=Classic	J=LHD (4WD)	74=4 Dr.(101.4WB)	ENC,EN0=2.5L 4 cyl. Turbo Die	DDD, DDQ=5 spd. Man.
S=Limited	U=RHD (4WD)	72=2 Dr.(101.4WB)	ERH,ER0=4.0L Power Tech I-6	DGS=4 spd. Auto. AISIN
H=Sport	T=LHD (2WD)		EPE,EP0=Magnum 2.5L SMPI	DG0=All Auto/Trans.
L=SE	B=RHD (2WD)			DBB=All Manual Trans.

AR = Use as required - = Non illustrated part # = New this model year

April 5, 2002



### Gearshift Controls AW4 (DGS) Figure AW4-1210



ITEM	PART NUMBER	QTY	LINE	SERIES	ENGINE	TRANS	DESCRIPTION
Notes: nsmission							
ER0 = All 4.0l 6 Cylinder Gas Engines nsmission							
EP0 = All 2.5L Gas Engines nsmission							
DG0 = All Automatic Transmissions nsmission							
DGS = Aisin Warner 4 Speed Automatic Transmission nsmission							
1	5210 4028	1			EP0, ER0	DG0	HANDLE, Gearshift
2	5300 0211	1			EP0, ER0	DG0	BUTTON, Gearshift Knob
3	5300 0865	1			EP0, ER0	DG0	LEVER, Gearshift
4	5300 0866	1			EP0, ER0	DG0	SPRING, Button Return
5	5207 7561	1			EP0, ER0	DG0	CAP, Gearshift Handle Button
6							BEZEL, Console PRNDL
	5EK03 LAZAB	1	J, T			DGS	
	5EK07 LAZAB	1	B, U			DGS	
7							CABLE, Park Interlock
	5210 4144	1	J, T		EP0, ER0	DG0	
	52104 144AB	1	B, U		EP0, ER0	DG0	
8							SEAL, Shift Housing, (NOT SERVICED)
9							HOUSING, Shift Lever
	52104 005AB	1	J, T			DG0	
	52104 007AB	1	B, U			DG0	
10	52077 532AC	1				DG0	CABLE, Gearshift Control
11	5300 0704	1				DG0	COVER, Gearshift
12	J400 1701	AR					SCREW, Hex Self Tapping, .19-16x.50
13	3420 1788	1			EP0, ER0		STRAP, Tie
14	5300 7746	1			ER0	DGS	BRACKET, Transmission Control Cable
15	1150 2850	2			ER0	DGS	BOLT, Hex Flange Head, M8x1.25x20
16	5300 7747	1	B, T		ER0	DGS	LEVER, Gearshift
17	J420 0046	3					NUT AND WASHER, Hex Flange, M8x1.25
18							SPRING, Pawl Return, (NOT SERVICED)
19							SCREW, Hex Head, M8x1.25x18, (NOT SERVICED)
20							GAUGE, Transmission Shifter, (NOT SERVICED)

**JEEP CHEROKEE (XJ)**

SERIES	LINE	BODY	ENGINE	TRANSMISSION
P=Classic	J=LHD (4WD)	74=4 Dr.(101.4WB)	ENC,EN0=2.5L 4 cyl. Turbo Die	DDD, DDQ=5 spd. Man.
S=Limited	U=RHD (4WD)	72=2 Dr.(101.4WB)	ERH,ER0=4.0L Power Tech I-6	DGS=4 spd. Auto. AISIN
H=Sport	T=LHD (2WD)		EPE,EP0=Magnum 2.5L SMPI	DG0=All Auto/Trans.
L=SE	B=RHD (2WD)			DBB=All Manual Trans.

AR = Use as required - = Non illustrated part # = New this model year

April 5, 2002

# Group – 3550

## Manual Transmission 5 Speed

### GROUP 3550 - Manual Transmission 5 Speed

Illustration Title

Group-Fig. No.

#### Transmission Assembly

Transmission Assembly (DDD) ..... Fig. 3550-110

#### Case and Extension

Case and Extension (DDD) ..... Fig. 3550-210

#### Gear Train

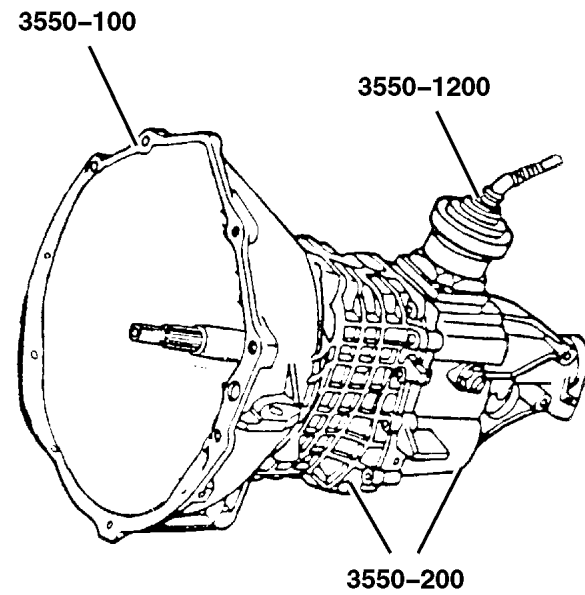
Gear Train (DDD) ..... Fig. 3550-410

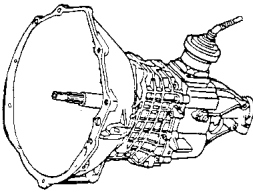
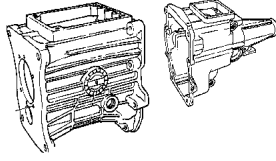
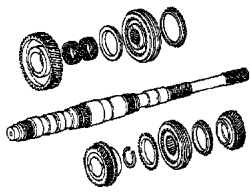
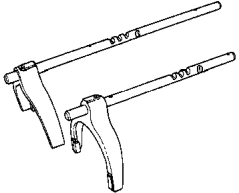

#### Fork and Rails

Fork and Rails (DDD) ..... Fig. 3550-910

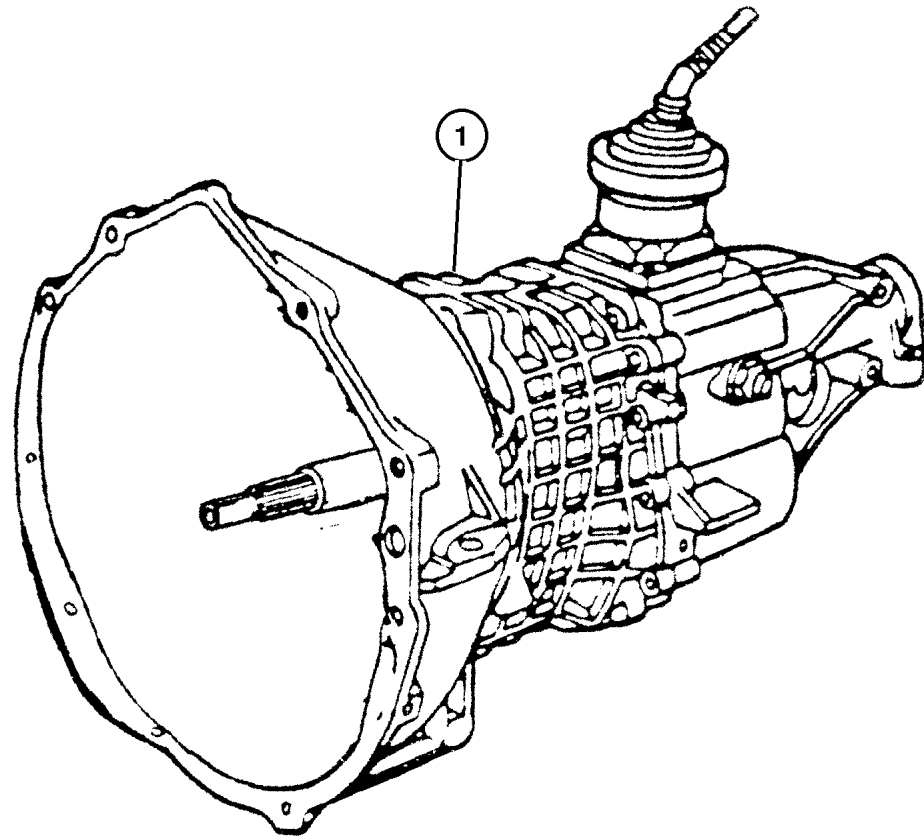
#### Gearshift Controls

Gearshift Controls (DDD) ..... Fig. 3550-1210



<p><b>3550-100</b> Transmission Assembly</p> 	<p><b>3550-200</b> Case and Extension</p> 	<p><b>3550-400</b> Gear Train</p> 	<p><b>3550-900</b> Fork and Rails</p> 
<p><b>3550-1200</b> Gearshift Controls</p> 			

**Transmission Assembly (DDD)  
Figure 3550-110**



ITEM	PART NUMBER	QTY	LINE	SERIES	ENGINE	TRANS	DESCRIPTION
------	-------------	-----	------	--------	--------	-------	-------------

Notes: nsmission

ER0 = All 4.0L 6 Cylinder Gas Engine nsmission

ENC = 2.5L 4 Cylinder Turbo Diesel Engines nsmission

DDD = 5 Speed Manual Transmission nsmission

ITEM	PART NUMBER	QTY	LINE	SERIES	ENGINE	TRANS	DESCRIPTION
1							TRANSMISSION, 5 Speed
	#52104 385AA	1	J, U		ER0	DDD	
	#52104 386AA	1	B, T		ER0	DDD	
	#52104 387AA	1	J, U		ENC	DDD	

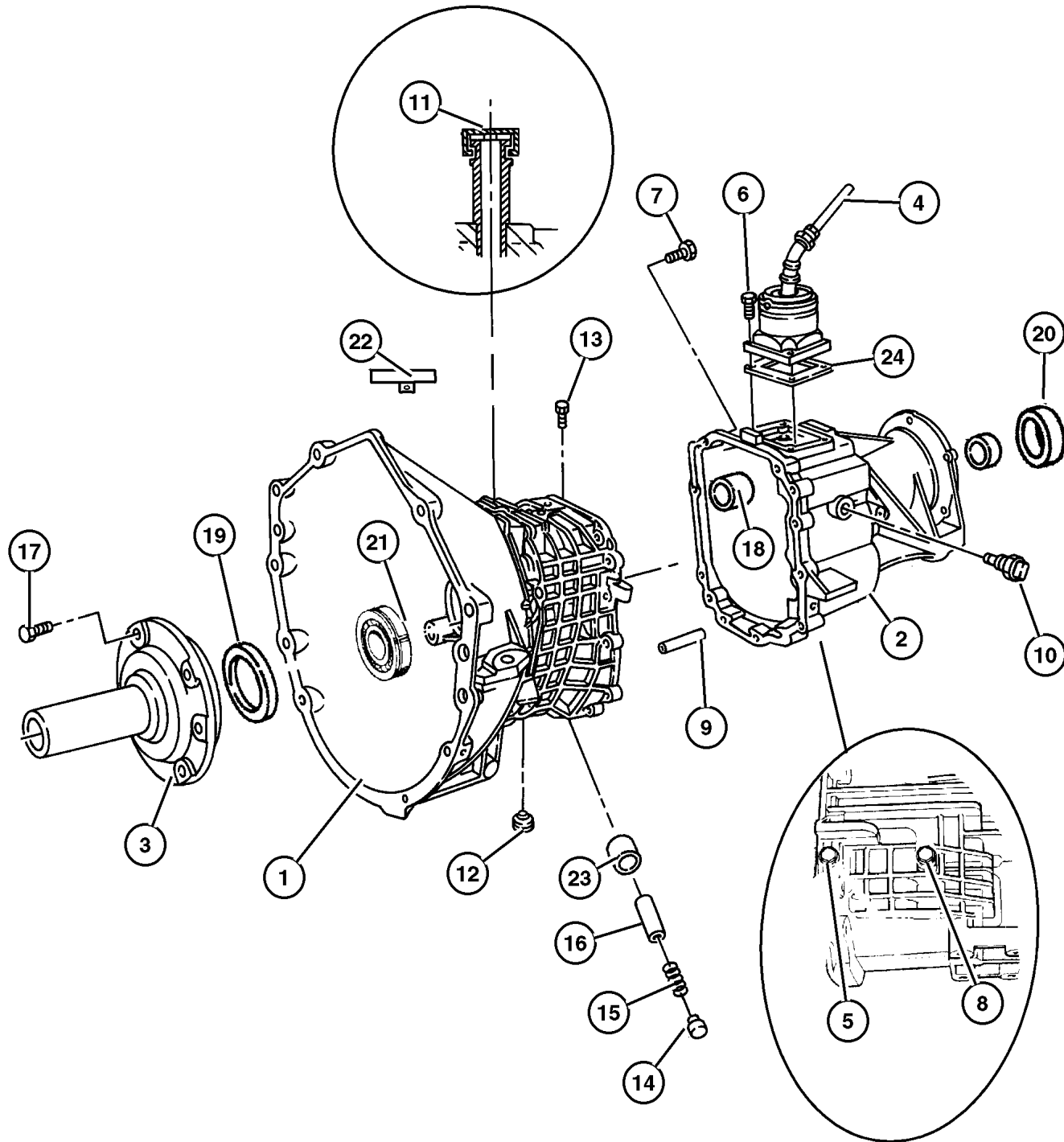
**JEEP CHEROKEE (XJ)**

SERIES	LINE	BODY	ENGINE	TRANSMISSION
P=Classic	J=LHD (4WD)	74=4 Dr.(101.4WB)	ENC,EN0=2.5L 4 cyl. Turbo Die	DDD, DDQ=5 spd. Man.
S=Limited	U=RHD (4WD)	72=2 Dr.(101.4WB)	ERH,ER0=4.0L Power Tech I-6	DGS=4 spd. Auto. AISIN
H=Sport	T=LHD (2WD)		EPE,EP0=Magnum 2.5L SMPI	DG0=All Auto/Trans.
L=SE	B=RHD (2WD)			DBB=All Manual Trans.

AR = Use as required - = Non illustrated part # = New this model year

April 5, 2002

Case and Extension (DDD)  
Figure 3550-210



ITEM	PART NUMBER	QTY	LINE	SERIES	ENGINE	TRANS	DESCRIPTION
Notes: nsmission							
ER0 = All 4.0L 6 Cylinder Gas Engine nsmission							
ENC = 2.5L 4 Cylinder Turbo Diesel Engines nsmission							
DDD = 5 Speed Manual Transmission nsmission							
1							CASE, Transmission
	#5015 577AA	1	B, T		ER0	DDD	
		1	J, U		ER0	DDD	
		1	J, U		ENC	DDD	
2							CASE, Transmission Rear
	#5015 946AA	1	B, T		ER0	DDD	
	#5015 947AA	1	J, U		ER0	DDD	
		1	J, U		ENC	DDD	
3							RETAINER, Shaft
	#5013 306AA	1	J, U		ENC	DDD	
		1	B, T		ER0	DDD	
		1	J, U		ER0	DDD	
4							LEVER, Gearshift
	#5015 952AA	1	B, T		ER0	DDD	
		1	J, U		ER0	DDD	
	#5015 953AA	1	J, U		ENC	DDD	
5							BOLT, M8-1.25x70
	4741 313	1	J, U		ENC	DDD	
		1	B, T		ER0	DDD	
		1	J, U		ER0	DDD	
6							BOLT, Hex Head
	4741 144	4	J, U		ENC		
		4	B, T		ER0	DDD	
		4	J, U		ER0	DDD	
7							BOLT, Hex Head, M8x1.25x50
	4741 123	11	J, U		ENC		
		11	B, T		ER0	DDD	
		11	J, U		ER0	DDD	
8							BOLT, Hex
	4741 115	1	B, T		ER0	DDD	
		1	J, U		ENC	DDD	
		1	J, U		ER0	DDD	
9							PIN, Locating
	4741 122	2	J, U		ENC		
		2	B, T		ER0	DDD	
		2	J, U		ER0	DDD	
10							SWITCH, Back Up Lamp
	4741 121	1	J, U		ENC	DDD	

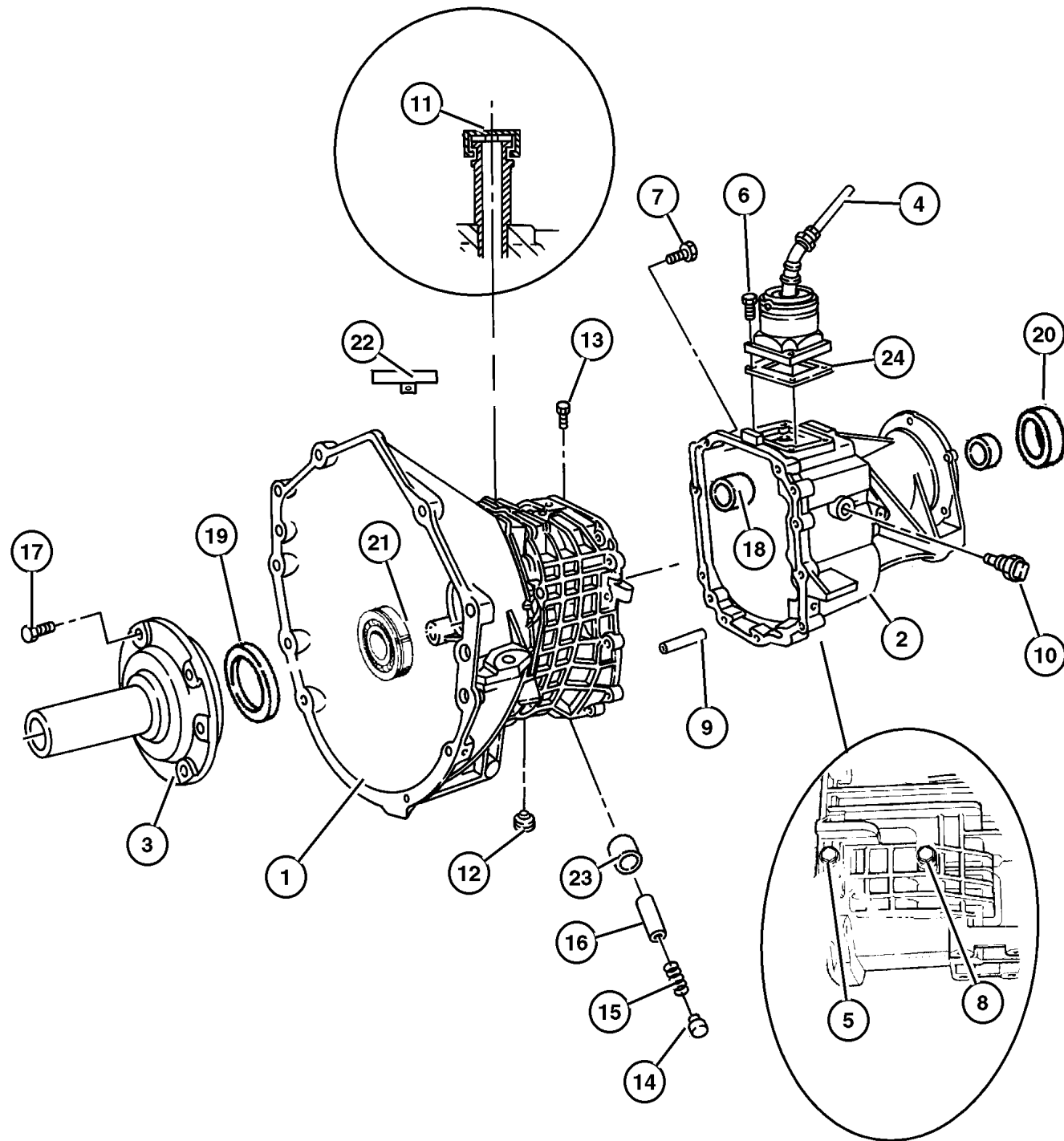
JEEP CHEROKEE (XJ)

SERIES	LINE	BODY	ENGINE	TRANSMISSION
P=Classic	J=LHD (4WD)	74=4 Dr.(101.4WB)	ENC,EN0=2.5L 4 cyl. Turbo Die	DDD, DDQ=5 spd. Man.
S=Limited	U=RHD (4WD)	72=2 Dr.(101.4WB)	ERH,ER0=4.0L Power Tech I-6	DGS=4 spd. Auto. AISIN
H=Sport	T=LHD (2WD)		EPE,EP0=Magnum 2.5L SMPI	DG0=All Auto/Trans.
L=SE	B=RHD (2WD)			DBB=All Manual Trans.

AR = Use as required - = Non illustrated part # = New this model year

April 5, 2002

Case and Extension (DDD)  
Figure 3550-210



ITEM	PART NUMBER	QTY	LINE	SERIES	ENGINE	TRANS	DESCRIPTION
		1	B, T		ER0	DDD	
		1	J, U		ER0	DDD	
11	#5015 945AA	1	J, U		ENC	DDD	VENT, Transmission
		1	B, T		ER0	DDD	
12	4882 280	1	J, U		ER0	DDD	PLUG, Oil Fill
		1	B, T		ER0	DDD	
		1	J, U		ER0	DDD	
13	5013 321AA	1	J, U		ENC	DDD	PIN, Detent
		1	B, T		ER0	DDD	
		1	J, U		ER0	DDD	
14	4741 128	1	J, U		ENC	DDD	CAP, Detent
		1	B, T		ER0	DDD	
		1	J, U		ER0	DDD	
15	4796 673	1	J, U		ENC	DDD	SPRING, Shift Detent
		1	B, T		ER0	DDD	
		1	J, U		ER0	DDD	
16	5015 949AA	1	J, U		ENC	DDD	PLUNGER
		1	B, T		ER0	DDD	
		1	J, U		ER0	DDD	
17	4741 300	6	J, U		ENC		BOLT, Hex Head, M6x1.00x25
		6	B, T		ER0	DDD	
		6	J, U		ER0	DDD	
18	4741 112	1	J, U		ENC	DDD	BEARING, Ball
		1	B, T		ER0	DDD	
		1	J, U		ER0	DDD	
19	4741 296	1	J, U		ENC	DDD	SEAL, Input Shaft
		1	B, T		ER0	DDD	
		1	J, U		ER0	DDD	
20	4741 118	1	J, U		ENC	DDD	SEAL, Output Shaft
		1	J, U		ER0	DDD	
		1	B, T		ER0	DDD	
21							BEARING, Input Shaft

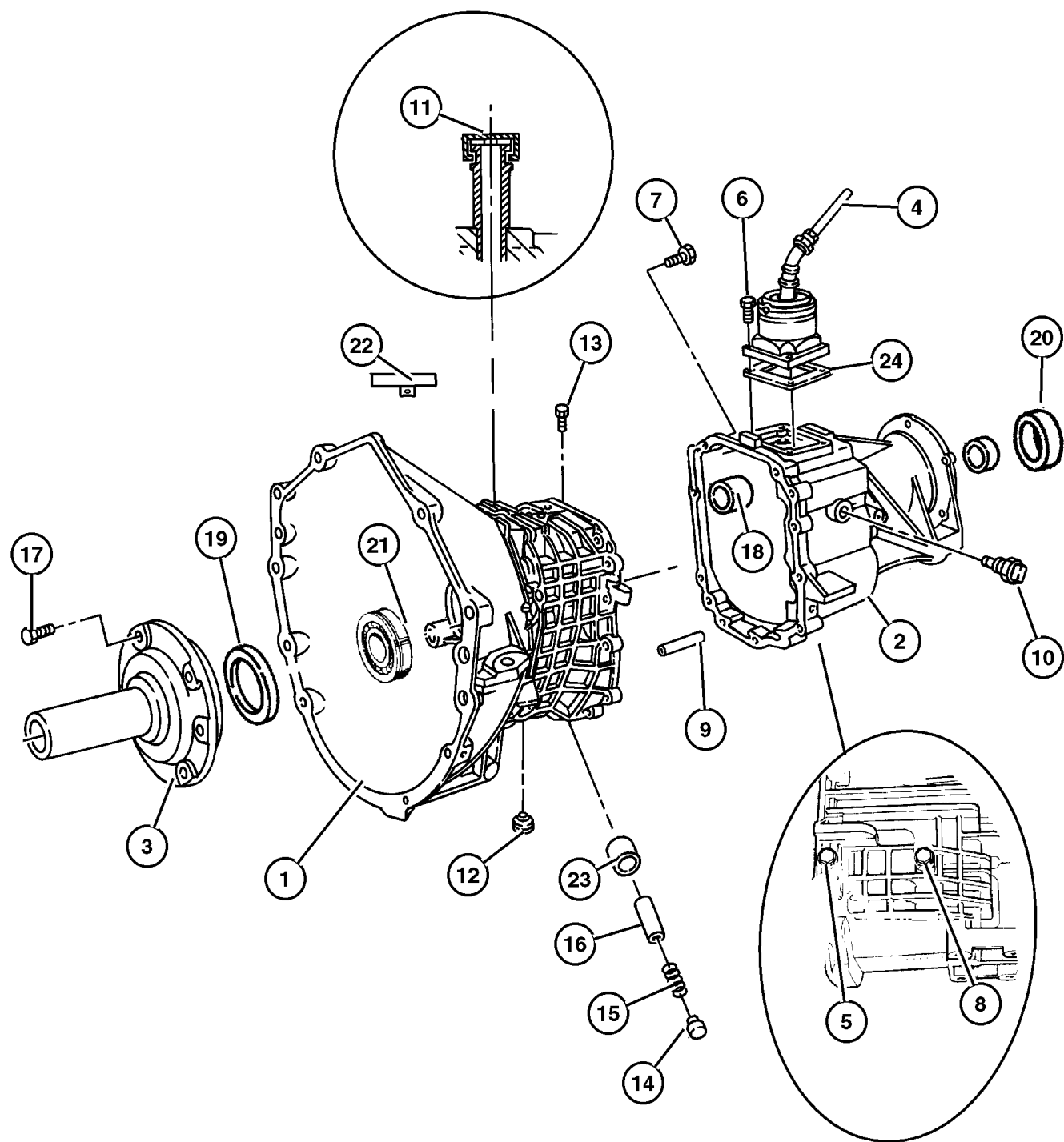
JEEP CHEROKEE (XJ)

SERIES	LINE	BODY	ENGINE	TRANSMISSION
P=Classic	J=LHD (4WD)	74=4 Dr.(101.4WB)	ENC,EN0=2.5L 4 cyl. Turbo Die	DDD, DDQ=5 spd. Man.
S=Limited	U=RHD (4WD)	72=2 Dr.(101.4WB)	ERH,ER0=4.0L Power Tech I-6	DGS=4 spd. Auto. AISIN
H=Sport	T=LHD (2WD)		EPE,EP0=Magnum 2.5L SMPI	DG0=All Auto/Trans.
L=SE	B=RHD (2WD)			DBB=All Manual Trans.

AR = Use as required - = Non illustrated part # = New this model year

April 5, 2002

Case and Extension (DDD)  
Figure 3550-210



ITEM	PART NUMBER	QTY	LINE	SERIES	ENGINE	TRANS	DESCRIPTION
	4874 174	1	J, U		ENC	DDD	
		1	B, T		ER0	DDD	
		1	J, U		ER0	DDD	
22	#5015 945AA	1	J, U		ENC	DDD	VENT, Transmission
		1	B, T		ER0	DDD	
		1	J, U		ER0	DDD	
23	5012 337AA	1	J, U		ENC	DDD	BUSHING, Transmission
		1	B, T		ER0	DDD	
		1	J, U		ER0	DDD	
24	4886 153AA	1	J, U		ENC	DDD	SEAL, Shift Lever
		1	B, T		ER0	DDD	
		1	J, U		ER0	DDD	

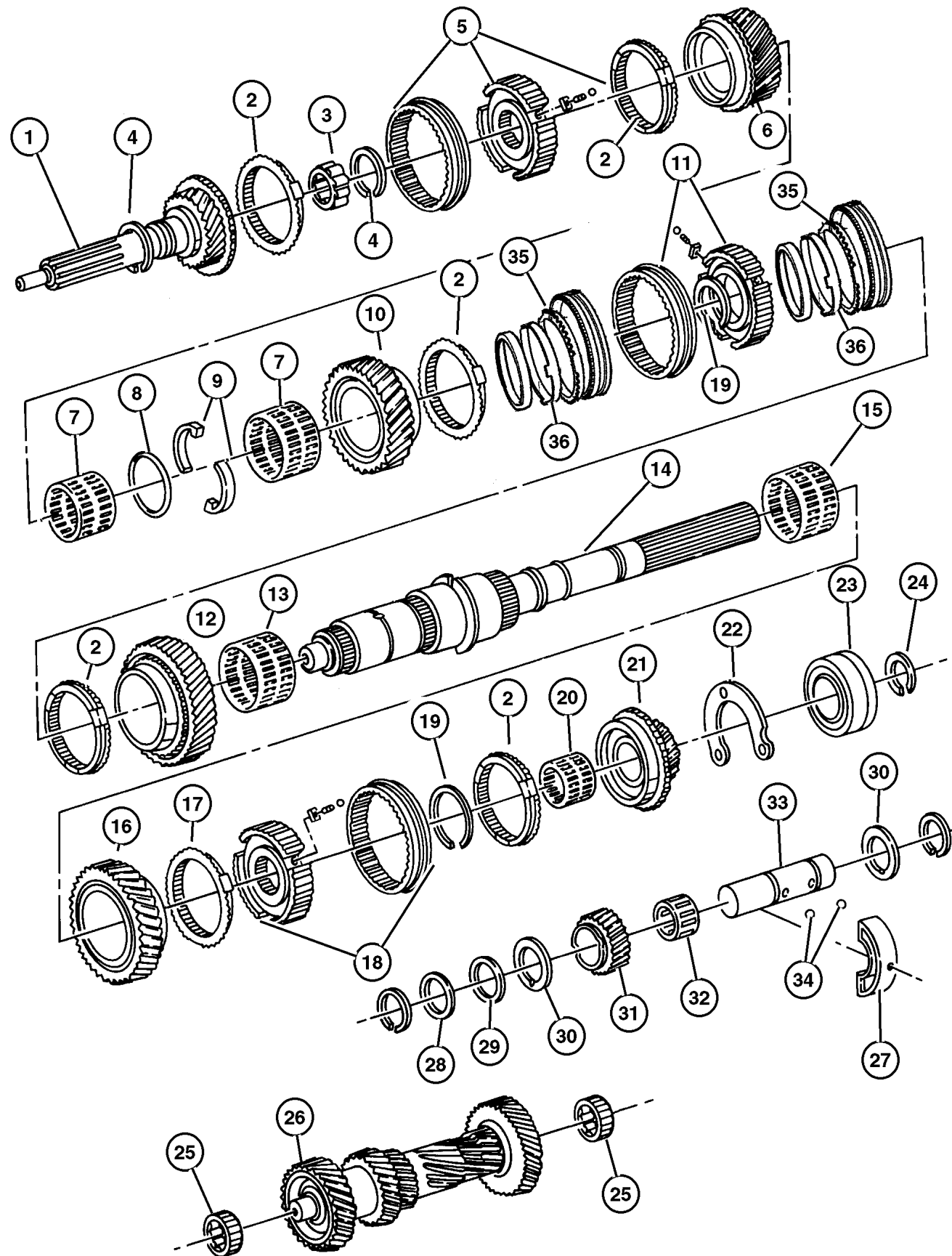
**JEEP CHEROKEE (XJ)**

SERIES	LINE	BODY	ENGINE	TRANSMISSION
P=Classic	J=LHD (4WD)	74=4 Dr.(101.4WB)	ENC,EN0=2.5L 4 cyl. Turbo Die	DDD, DDQ=5 spd. Man.
S=Limited	U=RHD (4WD)	72=2 Dr.(101.4WB)	ERH,ER0=4.0L Power Tech I-6	DGS=4 spd. Auto. AISIN
H=Sport	T=LHD (2WD)		EPE,EP0=Magnum 2.5L SMPI	DG0=All Auto/Trans.
L=SE	B=RHD (2WD)			DBB=All Manual Trans.

AR = Use as required - = Non illustrated part # = New this model year

April 5, 2002

**Gear Train (DDD)  
Figure 3550-410**



ITEM	PART NUMBER	QTY	LINE	SERIES	ENGINE	TRANS	DESCRIPTION
Notes: nsmission							
ER0 = All 4.0L 6 Cylinder Gas Engine nsmission							
ENC = 2.5L 4 Cylinder Turbo Diesel Engines nsmission							
DDD = 5 Speed Manual Transmission nsmission							
1							SHAFT, Input
	#5013 302AA	1	B, T		ER0	DDD	
		1	J, U		ENC	DDD	
		1	J, U		ER0	DDD	
2							STOP RING, Synchronizer
	4741 277	2	J, U		ENC		
		2	B, T		ER0	DDD	
		2	J, U		ER0	DDD	
3							NEEDLE BEARING, Input Shaft
	4741 878	1	J, U		ENC	DDD	
		1	B, T		ER0	DDD	
		1	J, U		ER0	DDD	
4							SNAP RING, Output Shaft Bearing
	4741 266	2	J, U		ENC		
		2	B, T		ER0	DDD	
		2	J, U		ER0	DDD	
5							SYNCHRONIZER, Third and Fourth
	4741 293	1	J, U		ENC	DDD	
		1	B, T		ER0	DDD	
		1	J, U		ER0	DDD	
6							GEAR, Third
	#5013 195AA	1	J, U		ENC	DDD	
		1	B, T		ER0	DDD	
		1	J, U		ER0	DDD	
7							NEEDLE BEARING, Second Gear
	5003 039AA	1	B, T		ER0	DDD	
		1	J, U		ENC	DDD	
		1	J, U		ER0	DDD	
8							SNAP RING
	4897 922AA	1	B, T		ER0	DDD	
		1	J, U		ENC	DDD	
		1	J, U		ER0	DDD	
9							WASHER, Output Shaft
	#5013 192AA	2	J, U		ENC		
		2	B, T		ER0	DDD	
		2	J, U		ER0	DDD	
10							GEAR, Second
	#5013 194AA	1	J, U		ENC	DDD	

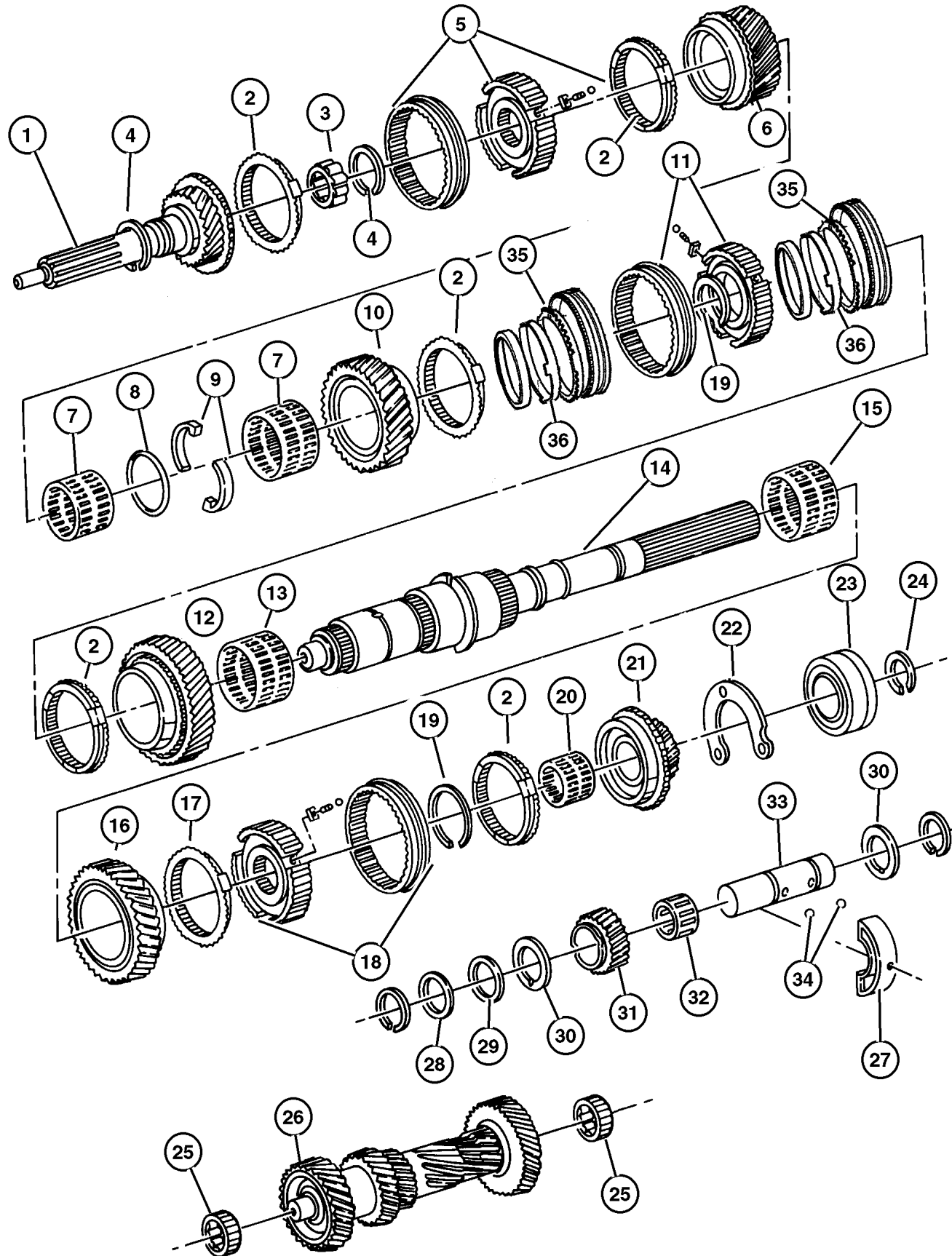
**JEEP CHEROKEE (XJ)**

SERIES	LINE	BODY	ENGINE	TRANSMISSION
P=Classic	J=LHD (4WD)	74=4 Dr.(101.4WB)	ENC,EN0=2.5L 4 cyl. Turbo Die	DDD, DDQ=5 spd. Man.
S=Limited	U=RHD (4WD)	72=2 Dr.(101.4WB)	ERH,ER0=4.0L Power Tech I-6	DGS=4 spd. Auto. AISIN
H=Sport	T=LHD (2WD)		EPE,EP0=Magnum 2.5L SMPI	DG0=All Auto/Trans.
L=SE	B=RHD (2WD)			DBB=All Manual Trans.

AR = Use as required - = Non illustrated part # = New this model year

April 5, 2002

Gear Train (DDD)  
Figure 3550-410



ITEM	PART NUMBER	QTY	LINE	SERIES	ENGINE	TRANS	DESCRIPTION
		1	B, T		ERO	DDD	
		1	J, U		ERO	DDD	
11	#5013 191AA	1	J, U		ENC	DDD	SYNCHRONIZER, First and Second
		1	B, T		ERO	DDD	
12	#5013 189AA	1	J, U		ERO	DDD	GEAR, First
		1	J, U		ENC	DDD	
		1	B, T		ERO	DDD	
13	4741 871	1	J, U		ENC	DDD	NEEDLE BEARING, Transmission
		1	B, T		ERO	DDD	
14	5013 180AA	1	J, U		ENC	DDD	SHAFT, Output
		1	J, U		ERO	DDD	
	#5015 955AA	1	B, T		ERO	DDD	NEEDLE BEARING, Transmission
15	4741 871	1	J, U		ENC	DDD	
		1	B, T		ERO	DDD	
		1	J, U		ERO	DDD	GEAR, Reverse
16	#5013 185AA	1	J, U		ENC	DDD	
		1	B, T		ERO	DDD	
		1	J, U		ERO	DDD	STOP RING, Synchronizer
17	4741 285	1	B, T		ERO	DDD	
		1	J, U		ENC	DDD	
		1	J, U		ERO	DDD	SYNCHRONIZER, Fifth And Reverse
18	4741 278	1	J, U		ENC	DDD	
		1	B, T		ERO	DDD	
		1	J, U		ERO	DDD	RING, Transmission
19	4741 805	1	B, T		ERO	DDD	
		1	J, U		ENC	DDD	
		1	J, U		ERO	DDD	BEARING, Needle
20	4741 273	1	J, U		ENC	DDD	
		1	B, T		ERO	DDD	
		1	J, U		ERO	DDD	GEAR, Fifth
21							

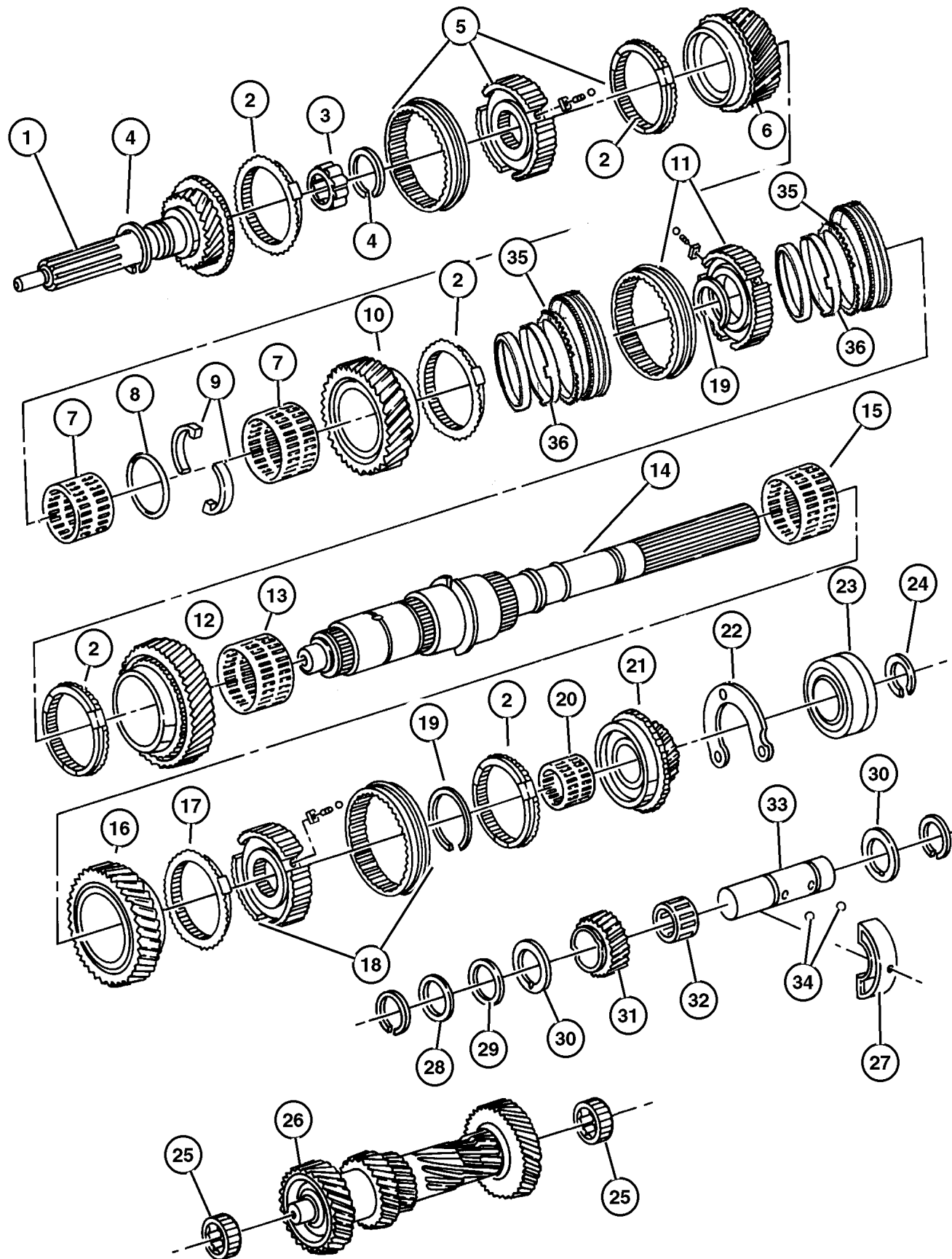
**JEEP CHEROKEE (XJ)**  
 SERIES LINE BODY ENGINE TRANSMISSION  
 P=Classic J=LHD (4WD) 74=4 Dr.(101.4WB) ENC,EN0=2.5L 4 cyl. Turbo Die DDD, DDQ=5 spd. Man.  
 S=Limited U=RHD (4WD) 72=2 Dr.(101.4WB) ERH,ER0=4.0L Power Tech I-6 DGS=4 spd. Auto. AISIN  
 H=Sport T=LHD (2WD) EPE,EP0=Magnum 2.5L SMPI DG0=All Auto/Trans.  
 L=SE B=RHD (2WD) DBB=All Manual Trans.

AR = Use as required - = Non illustrated part # = New this model year

April 5, 2002



**Gear Train (DDD)  
Figure 3550-410**



ITEM	PART NUMBER	QTY	LINE	SERIES	ENGINE	TRANS	DESCRIPTION
	#5015 956AA	1	B, T		ER0	DDD	
		1	J, U		ENC	DDD	
22		1	J, U		ER0	DDD	RETAINER, Transmission Output Shaft Bearing
	4741 114	1	J, U		ENC	DDD	
		1	J, U		ER0	DDD	
23		1	B, T		ER0	DDD	BEARING, Output Shaft
	4741 116	1	B, T		ER0	DDD	
	4741 866	1	B, T		ER0	DDD	
		1	J, U		ENC	DDD	
24		1	J, U		ER0	DDD	SNAP RING, Output Shaft Bearing
	4741 266	2	J, U		ENC		
		2	B, T		ER0	DDD	
25		2	J, U		ER0	DDD	BEARING, Countershaft
	#5012 971AA	2	J, U		ENC		
		2	B, T		ER0	DDD	
26		2	J, U		ER0	DDD	SHAFT, Counter
	#5015 957AA	1	B, T		ER0	DDD	
		1	J, U		ENC	DDD	
27		1	J, U		ER0	DDD	SUPPORT, Segment Idler Shaft
	4741 312	1	J, U		ENC	DDD	
		1	B, T		ER0	DDD	
28		1	J, U		ER0	DDD	WASHER, Flat
	4741 310	1	B, T		ER0	DDD	
		1	J, U		ENC	DDD	
29		1	J, U		ER0	DDD	WASHER, Idler Gear
	4741 309	1	J, U		ENC	DDD	
		1	B, T		ER0	DDD	
30		1	J, U		ER0	DDD	THRUST WASHER, Reverse Idler
	4741 307	2	J, U		ER0	DDD	
		2	J, U		ENC	DDD	
31		2	B, T		ER0	DDD	GEAR, Reverse Idler
	#5013 199AA	1	B, T		ER0	DDD	
		1	J, U		ENC	DDD	

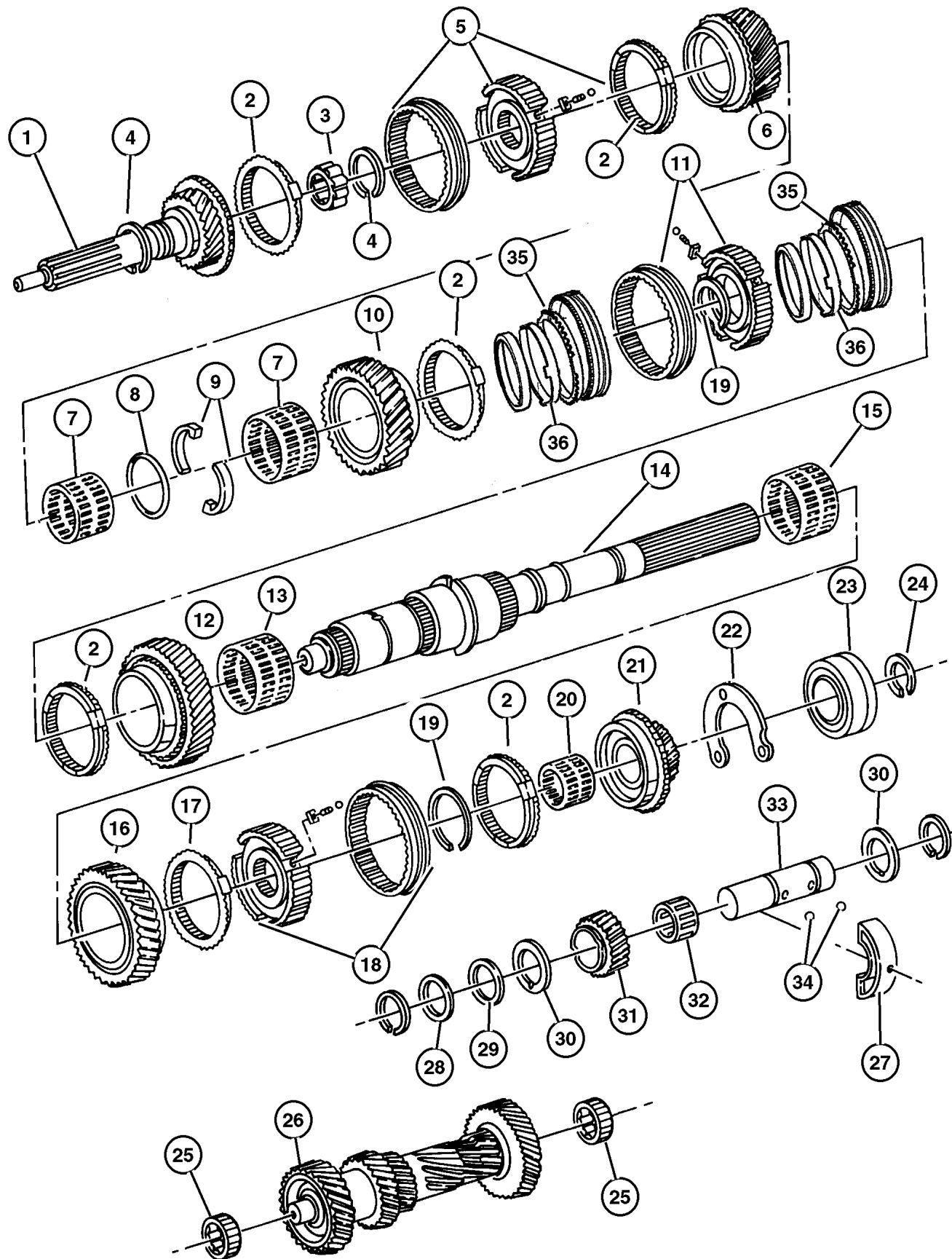
**JEEP CHEROKEE (XJ)**

SERIES	LINE	BODY	ENGINE	TRANSMISSION
P=Classic	J=LHD (4WD)	74=4 Dr.(101.4WB)	ENC,EN0=2.5L 4 cyl. Turbo Die	DDD, DDQ=5 spd. Man.
S=Limited	U=RHD (4WD)	72=2 Dr.(101.4WB)	ERH,ER0=4.0L Power Tech I-6	DGS=4 spd. Auto. AISIN
H=Sport	T=LHD (2WD)		EPE,EP0=Magnum 2.5L SMPI	DG0=All Auto/Trans.
L=SE	B=RHD (2WD)			DBB=All Manual Trans.

AR = Use as required - = Non illustrated part # = New this model year

April 5, 2002

Gear Train (DDD)  
Figure 3550-410



ITEM	PART NUMBER	QTY	LINE	SERIES	ENGINE	TRANS	DESCRIPTION
		1	J, U		ER0	DDD	
32	4874 359	1	J, U		ENC	DDD	BEARING, Idler
		1	B, T		ER0	DDD	
		1	J, U		ER0	DDD	
33	4741 303	1	J, U		ENC	DDD	IDLER SHAFT, Transmission
		1	B, T		ER0	DDD	
		1	J, U		ER0	DDD	
34	4741 891	2	J, U		ENC		BALL, Check, 4 mm
		2	B, T		ER0	DDD	
		2	J, U		ER0	DDD	
35	4874 363	2	J, U		ENC		RING, Synchronizer Blocker
		2	B, T		ER0	DDD	
		2	J, U		ER0	DDD	
36	4874 405	2	J, U		ENC		CONE, Synchronizer
		2	B, T		ER0	DDD	
		2	J, U		ER0	DDD	

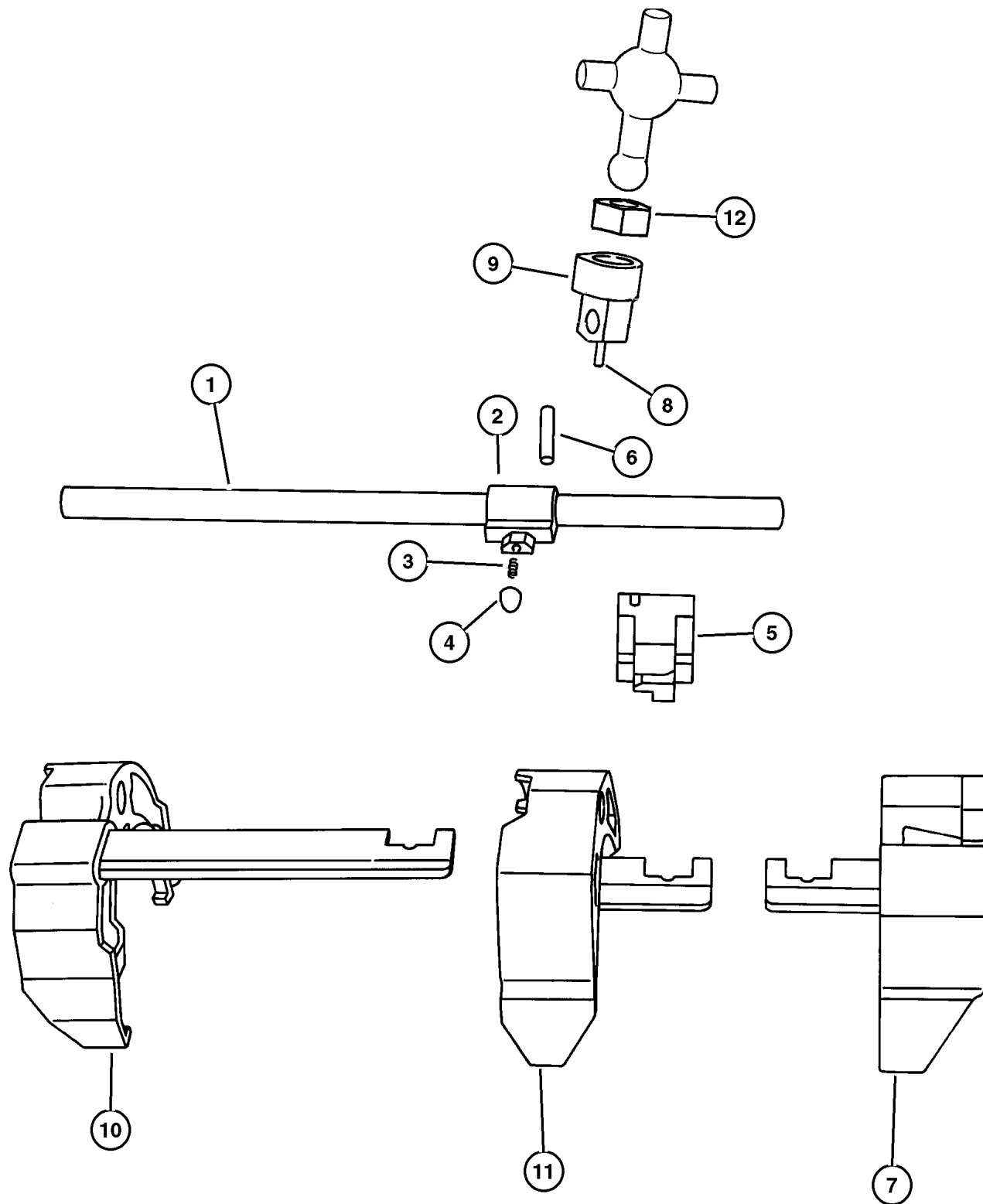
JEEP CHEROKEE (XJ)

SERIES	LINE	BODY	ENGINE	TRANSMISSION
P=Classic	J=LHD (4WD)	74=4 Dr.(101.4WB)	ENC,EN0=2.5L 4 cyl. Turbo Die	DDD, DDQ=5 spd. Man.
S=Limited	U=RHD (4WD)	72=2 Dr.(101.4WB)	ERH,ER0=4.0L Power Tech I-6	DGS=4 spd. Auto. AISIN
H=Sport	T=LHD (2WD)		EPE,EP0=Magnum 2.5L SMPI	DG0=All Auto/Trans.
L=SE	B=RHD (2WD)			DBB=All Manual Trans.

AR = Use as required - = Non illustrated part # = New this model year

April 5, 2002

Fork and Rails (DDD)  
Figure 3550-910



ITEM	PART NUMBER	QTY	LINE	SERIES	ENGINE	TRANS	DESCRIPTION
Notes: nsmission							
ERO = All 4.0L 6 Cylinder Gas Engine nsmission							
ENC = 2.5L 4 Cylinder Turbo Diesel Engines nsmission							
DDD = 5 Speed Manual Transmission nsmission							
1							SHAFT, Selector
	#5015 951AA	1	J, U		ENC	DDD	
		1	B, T		ERO	DDD	
		1	J, U		ERO	DDD	
2							LEVER, Shift Shaft
	5014 109AA	1	J, U		ENC	DDD	
		1	B, T		ERO	DDD	
		1	J, U		ERO	DDD	
3							SPRING, Lever
	4741 137	AR	J, U		ENC		
		AR	B, T		ERO	DDD	
		AR	J, U		ERO	DDD	
4							PLUNGER
	5015 949AA	1	J, U		ENC	DDD	
		1	B, T		ERO	DDD	
		1	J, U		ERO	DDD	
5							BUSHING, Transmission
	5012 337AA	1	B, T		ERO	DDD	
		1	J, U		ENC	DDD	
		1	J, U		ERO	DDD	
6							PIN, Shift Shaft
	4741 138	1	B, T		ERO	DDD	
		1	J, U		ENC	DDD	
		1	J, U		ERO	DDD	
7							FORK, Third and Fourth
	#5015 950AA	1	J, U		ENC	DDD	
		1	B, T		ERO	DDD	
		1	J, U		ERO	DDD	
8							PIN, Shift Shaft
	4741 139	1	B, T		ERO	DDD	
		1	J, U		ENC	DDD	
		1	J, U		ERO	DDD	
9							SOCKET, Shift Shaft
	4874 352	1	J, U		ENC	DDD	
		1	B, T		ERO	DDD	
		1	J, U		ERO	DDD	
10							FORK, Transmission
	#4773 563AB	1	J, U		ENC	DDD	

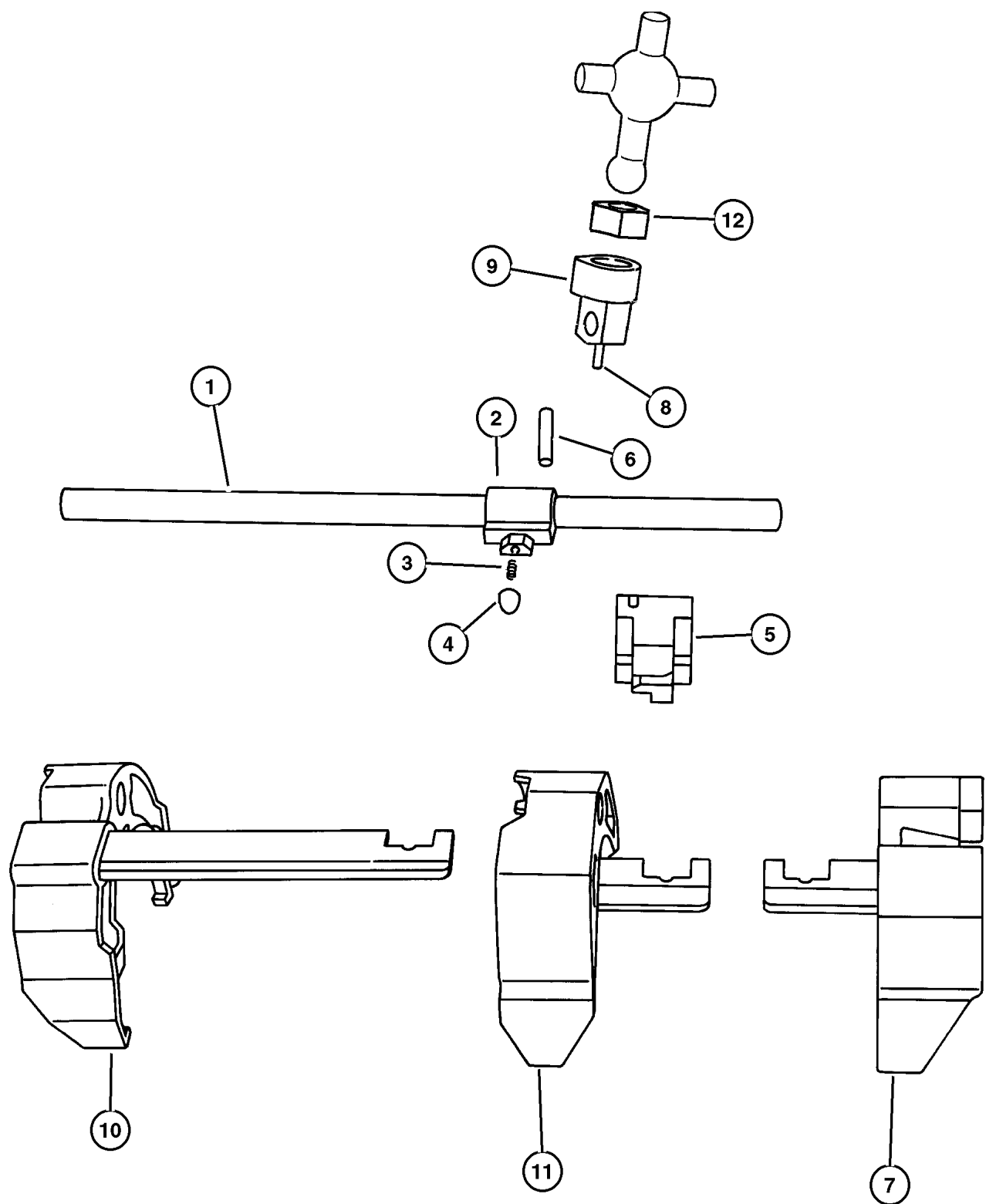
JEEP CHEROKEE (XJ)

SERIES	LINE	BODY	ENGINE	TRANSMISSION
P=Classic	J=LHD (4WD)	74=4 Dr.(101.4WB)	ENC,EN0=2.5L 4 cyl. Turbo Die	DDD, DDQ=5 spd. Man.
S=Limited	U=RHD (4WD)	72=2 Dr.(101.4WB)	ERH,ER0=4.0L Power Tech I-6	DGS=4 spd. Auto. AISIN
H=Sport	T=LHD (2WD)		EPE,EP0=Magnum 2.5L SMPI	DG0=All Auto/Trans.
L=SE	B=RHD (2WD)			DBB=All Manual Trans.

AR = Use as required - = Non illustrated part # = New this model year

April 5, 2002

Fork and Rails (DDD)  
Figure 3550-910



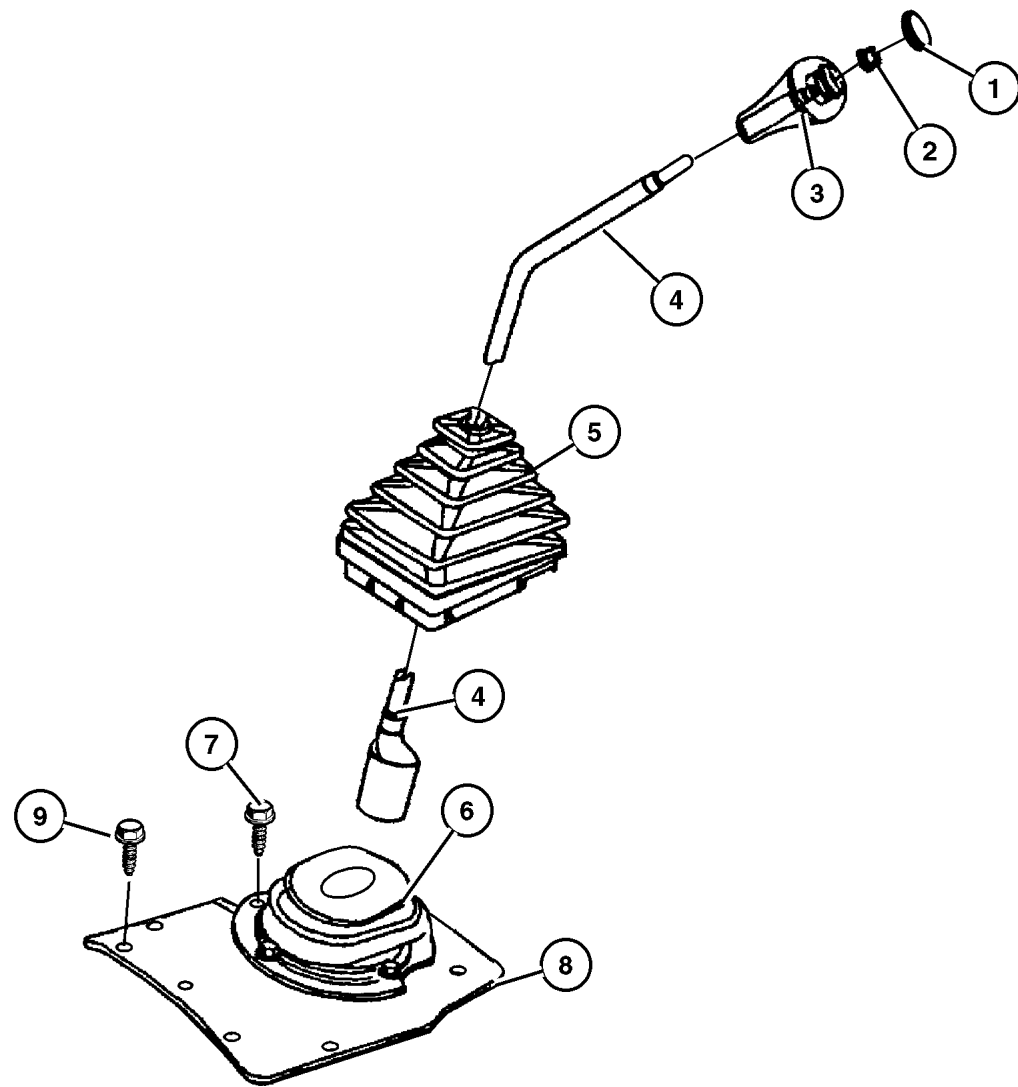
ITEM	PART NUMBER	QTY	LINE	SERIES	ENGINE	TRANS	DESCRIPTION
		1	B, T		ER0	DDD	
		1	J, U		ER0	DDD	
11	#5013 178AA	1	J, U		ENC	DDD	FORK, First and Second
		1	B, T		ER0	DDD	
12	5012 020AA	1	J, U		ER0	DDD	ISOLATOR, Shift Lever
		1	J, U		ENC	DDD	
		1	B, T		ER0	DDD	
		1	J, U		ER0	DDD	

JEEP CHEROKEE (XJ)				
SERIES	LINE	BODY	ENGINE	TRANSMISSION
P=Classic	J=LHD (4WD)	74=4 Dr.(101.4WB)	ENC,EN0=2.5L 4 cyl. Turbo Die	DDD, DDQ=5 spd. Man.
S=Limited	U=RHD (4WD)	72=2 Dr.(101.4WB)	ERH,ER0=4.0L Power Tech I-6	DGS=4 spd. Auto. AISIN
H=Sport	T=LHD (2WD)		EPE,EP0=Magnum 2.5L SMPI	DG0=All Auto/Trans.
L=SE	B=RHD (2WD)			DBB=All Manual Trans.

AR = Use as required - = Non illustrated part # = New this model year

April 5, 2002

**Gearshift Controls (DDD)  
Figure 3550-1210**



ITEM	PART NUMBER	QTY	LINE	SERIES	ENGINE	TRANS	DESCRIPTION
Notes: nsmission							
DD0 = All 5 Speed Manual Transmission nsmission							
DBB = All Manual Transmissions nsmission							
1	4446 921	1				DD0	INSERT, Transmission Shift Knob
2	6502 556	1				DBB	NUT, Hex, M10-1.5
3	5210 4174	1				DD0	KNOB, Gearshift
4							LEVER, Gearshift
	#52104 163AB	1	B, U			DBB	
	#52104 166AB	1	J, T			DBB	
5	#52104 079AC	1				DBB	BOOT, Gear Shift Lever
6	#5210 4170	1				DDD	BOOT, Gear Shift Lever
7	1150 2843	7				DDD	SCREW, Hex Flange Head, M4.2x1.41x13.00
8	#5210 4169	1				DDD	COVER, Floor Pan
9							SCREW, Hex Self Tapping, .19-16x.50, (NOT SERVICED)

JEEP CHEROKEE (XJ)				
SERIES	LINE	BODY	ENGINE	TRANSMISSION
P=Classic	J=LHD (4WD)	74=4 Dr.(101.4WB)	ENC,EN0=2.5L 4 cyl. Turbo Die	DDD, DDQ=5 spd. Man.
S=Limited	U=RHD (4WD)	72=2 Dr.(101.4WB)	ERH,ER0=4.0L Power Tech I-6	DGS=4 spd. Auto. AISIN
H=Sport	T=LHD (2WD)		EPE,EP0=Magnum 2.5L SMPI	DG0=All Auto/Trans.
L=SE	B=RHD (2WD)			DBB=All Manual Trans.

AR = Use as required - = Non illustrated part # = New this model year

April 5, 2002

# Group – AX

## Manual Transmission 5 Speed

### GROUP AX - Manual Transmission 5 Speed

Illustration Title

Group-Fig. No.

#### Transmission Assembly

Transmission (DDQ) ..... Fig. AX-110

#### Case and Extension

Case and Extension AX5 (DDQ) ..... Fig. AX-210

#### Gear Train

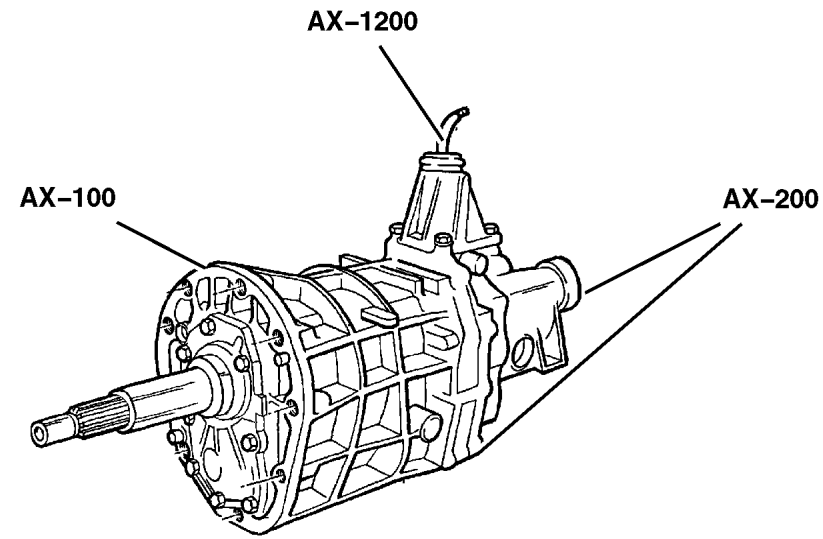
Gear Train AX 5 (DDQ) ..... Fig. AX-410

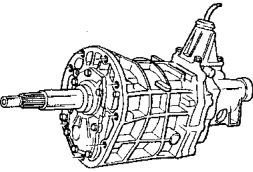
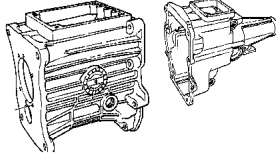
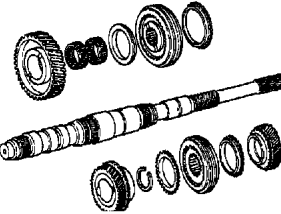
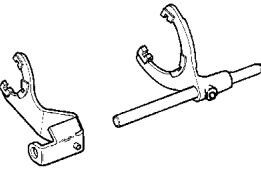

#### Fork and Rails

Forks AX 5 (DDQ) ..... Fig. AX-910

#### Gearshift Controls

Gearshift Controls (DDQ) ..... Fig. AX-1215



<p><b>AX-100</b> Transmission Assembly</p> 	<p><b>AX-200</b> Case and Extension</p> 	<p><b>AX-400</b> Gear Train</p> 	<p><b>AX-900</b> Fork and Rails</p> 
<p><b>AX-1200</b> Gearshift Controls</p> 			

**Transmission (DDQ)  
Figure AX-110**

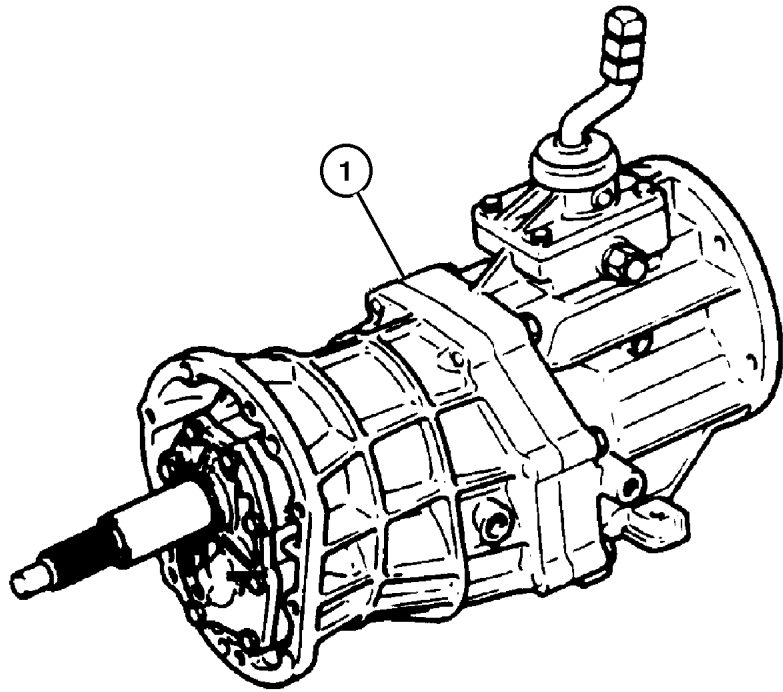
ITEM	PART NUMBER	QTY	LINE	SERIES	ENGINE	TRANS	DESCRIPTION
------	-------------	-----	------	--------	--------	-------	-------------

Notes: nsmission

DDQ = 5 Speed Manual Transmission nsmission

EP0 = All 2.5L Gas Engines nsmission

1							TRANSMISSION, 5 Speed
	5210 4546	1	B, T		EP0	DDQ	
	5210 4547	1	J, U		EP0	DDQ	

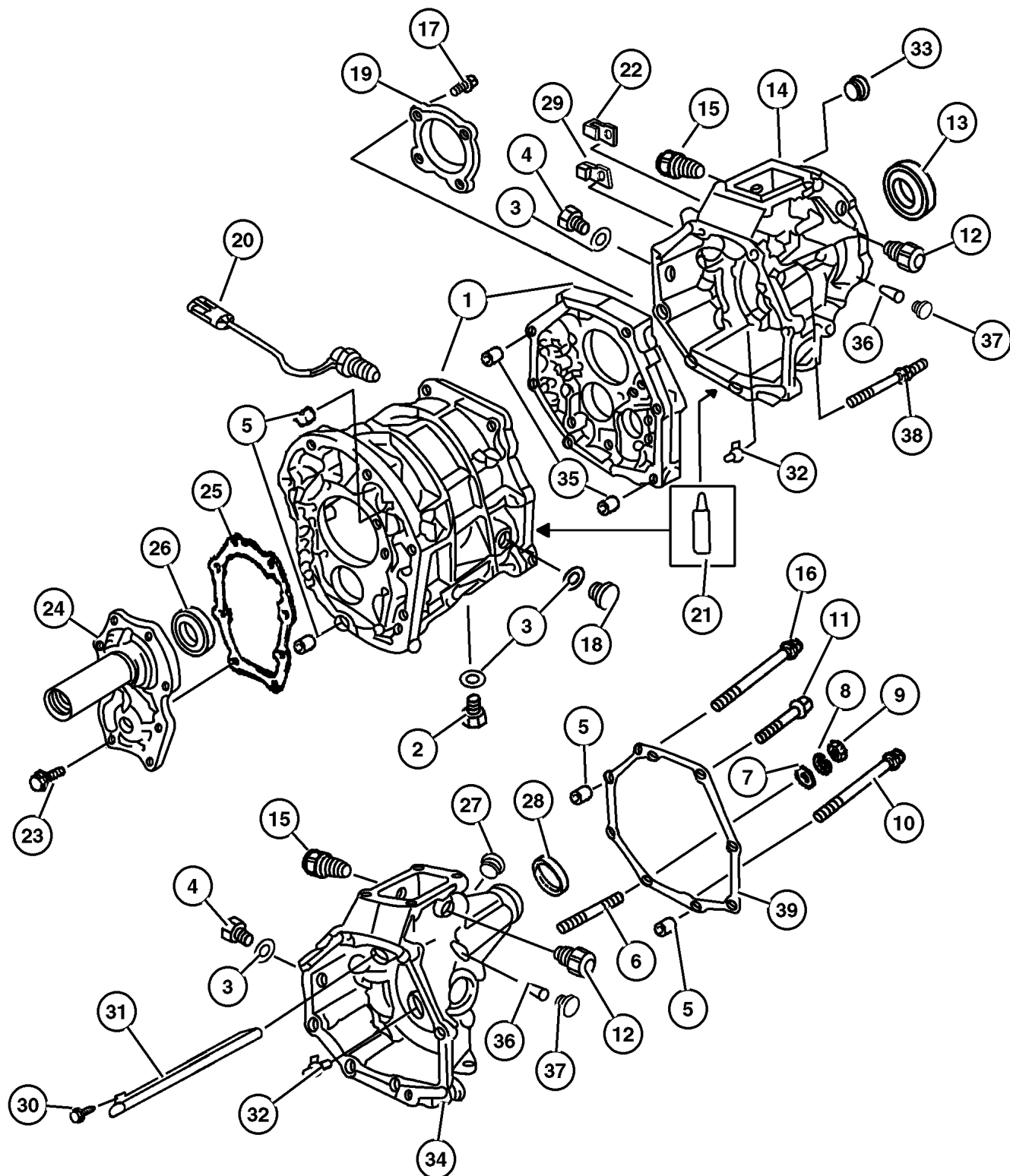


JEEP CHEROKEE (XJ)				
SERIES	LINE	BODY	ENGINE	TRANSMISSION
P=Classic	J=LHD (4WD)	74=4 Dr.(101.4WB)	ENC,EN0=2.5L 4 cyl. Turbo Die	DDD, DDQ=5 spd. Man.
S=Limited	U=RHD (4WD)	72=2 Dr.(101.4WB)	ERH,ER0=4.0L Power Tech I-6	DGS=4 spd. Auto. AISIN
H=Sport	T=LHD (2WD)		EPE,EP0=Magnum 2.5L SMPI	DG0=All Auto/Trans.
L=SE	B=RHD (2WD)			DBB=All Manual Trans.

AR = Use as required - = Non illustrated part # = New this model year

April 5, 2002

**Case and Extension AX5 (DDQ)  
Figure AX-210**



ITEM	PART NUMBER	QTY	LINE	SERIES	ENGINE	TRANS	DESCRIPTION
Notes: nsmission							
DDQ = 5 Speed Manual Transmission nsmission							
EPO = All 2.5L Gas Engines nsmission							
1							CASE, Transmission
	4897 581AA	1	B, T		EPO	DDQ	
		1	J, U		EPO	DDQ	
2							PLUG, Differential Drain
	4543 303	1	B, T		EPO	DDQ	52104546
		1	J, U		EPO	DDQ	52104547
3							GASKET, Drain Plug
	8350 0513	3	B, T		EPO	DDQ	52107746
		3	J, U		EPO	DDQ	52104547
4							BOLT
	8350 3548	1	B, T		EPO	DDQ	52104546
		1	J, U		EPO	DDQ	52104547
5							PIN, Locating
	8350 0504	4	B, T		EPO	DDQ	52104546
		4	J, U		EPO	DDQ	52104547
6	8350 0618	1	J, U		EPO	DDQ	STUD, Double Ended, M10x1.25x98, 52104547
7							WASHER, Flat
	8350 0627	1	B, T		EPO	DDQ	52104546
		1	J, U		EPO	DDQ	52104547
8							WASHER, Lock
	8350 0626	1	B, T		EPO	DDQ	
		1	J, U		EPO	DDQ	
9							NUT, Transmission Case
	8350 0625	1	J, U		EPO	DDQ	52104547
		1	B, T		EPO	DDQ	52104546
10							BOLT
	8350 3547	1	B, T		EPO	DDQ	52104546
		1	J, U		EPO	DDQ	52104547
11							BOLT
	8350 3549	5	B, T		EPO	DDQ	
		5	J, U		EPO	DDQ	
12							PIN, Reverse Restrict
	8350 0516	1	B, T		EPO	DDQ	52104546
		1	J, U		EPO	DDQ	52104547
13	8350 3108	1	J, U		EPO	DDQ	SEAL, Adapter, 52104547
14	8350 6037	1	J, U		EPO	DDQ	ADAPTER, Transmission
15							PIN, Reverse
	8350 0515	1	B, T		EPO	DDQ	52104546
		1	J, U		EPO	DDQ	52104547
16							BOLT

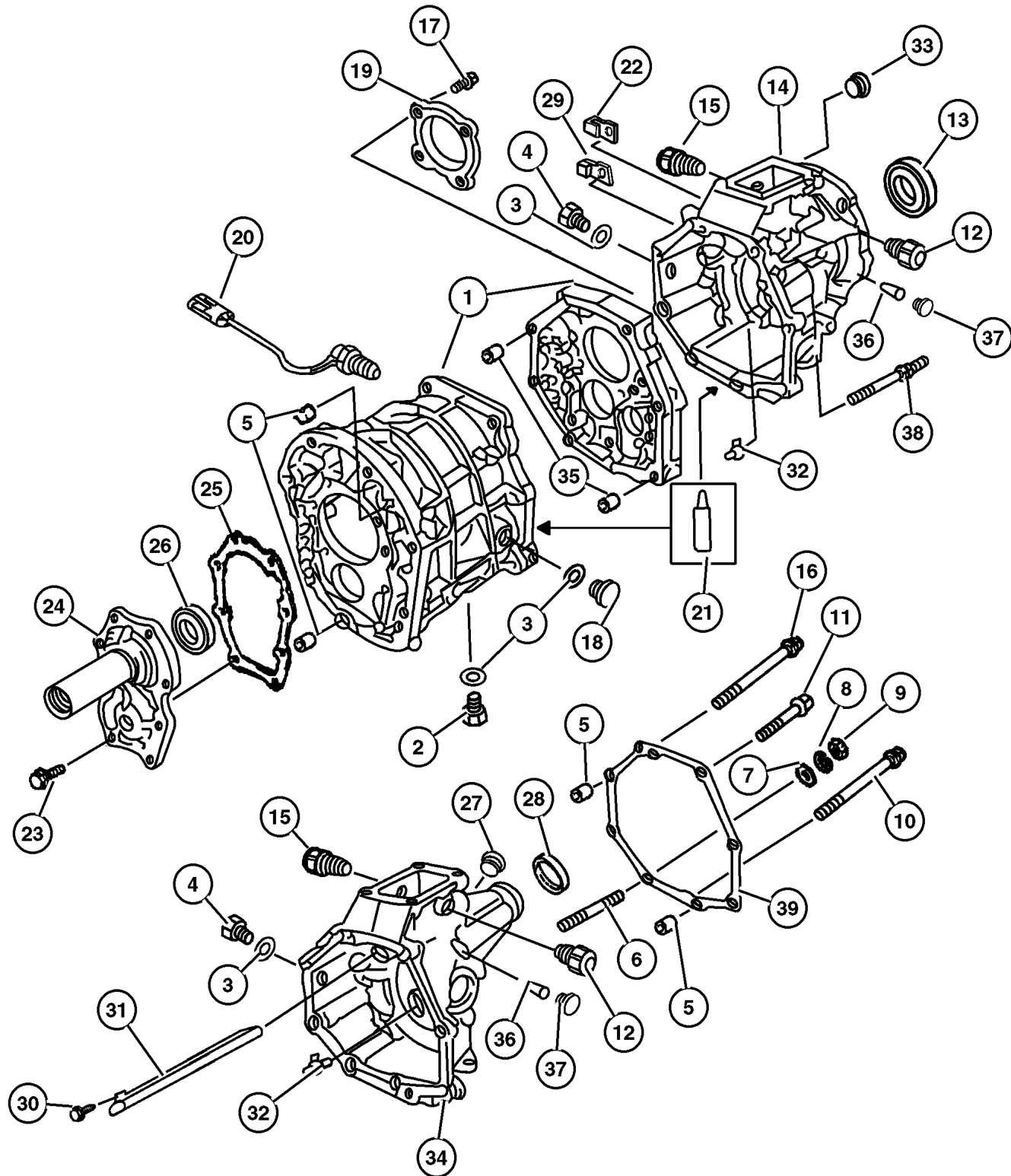
<b>JEEP CHEROKEE (XJ)</b>				
SERIES	LINE	BODY	ENGINE	TRANSMISSION
P=Classic	J=LHD (4WD)	74=4 Dr.(101.4WB)	ENC,EN0=2.5L 4 cyl. Turbo Die	DDD, DDQ=5 spd. Man.
S=Limited	U=RHD (4WD)	72=2 Dr.(101.4WB)	ERH,ER0=4.0L Power Tech I-6	DGS=4 spd. Auto. AISIN
H=Sport	T=LHD (2WD)		EPE,EPO=Magnum 2.5L SMPI	DG0=All Auto/Trans.
L=SE	B=RHD (2WD)			DBB=All Manual Trans.

AR = Use as required - = Non illustrated part # = New this model year

April 5, 2002



Case and Extension AX5 (DDQ)  
Figure AX-210



ITEM	PART NUMBER	QTY	LINE	SERIES	ENGINE	TRANS	DESCRIPTION
	8350 3547	1	B, T		EPO	DDQ	
		1	J, U		EPO	DDQ	
17							SCREW, Manual Transmission
	8350 0511	4	B, T		EPO	DDQ	52104546
		4	J, U		EPO	DDQ	52104547
18							PLUG, Oil Fill
	8350 0623	1	B, T		EPO	DDQ	52104546
		1	J, U		EPO	DDQ	52104547
19							RETAINER, Bearing
	8350 6034	1	B, T		EPO	DDQ	52104546
		1	J, U		EPO	DDQ	52104547
20							SWITCH, Back Up Lamp
	8350 0629	1	B, T		EPO	DDQ	52104546
		1	J, U		EPO	DDQ	52104547
21							SEALANT, RTV
	4318 025	1	B, T		EPO	DDQ	52104546
	5010 884AA	1	B, T		EPO	DDQ	52104546
		1	J, U		EPO	DDQ	52104547
22							CLAMP, Transmission
	8350 3551	1	B, T		EPO	DDQ	52104546
		1	J, U		EPO	DDQ	52104547
23							SCREW, Hex Head, M8x1.25x25
	3420 1818	8	B, T		EPO	DDQ	52104546
		8	J, U		EPO	DDQ	52104547
24							RETAINER, Bearing
	4746 025	1	J, U		EPO	DDQ	52104547
	8350 6034	1	B, T		EPO	DDQ	52104546
25							GASKET, Input Gear Retainer
	8350 0505	1	B, T		EPO	DDQ	52104546
		1	J, U		EPO	DDQ	52104547
26							SEAL, Main Shaft
	8350 6045	1	B, T		EPO	DDQ	52104546
		1	J, U		EPO	DDQ	52104547
27	8350 2124	1	B, T		EPO	DDQ	PLUG, Extension Housing, 52104546
28	8350 2118	1	B, T		EPO	DDQ	SEAL, Extension, 52104546
29							CLAMP, Transmission
	8350 0631	1	B, T		EPO	DDQ	52104546
		1	J, U		EPO	DDQ	52104547
30	8350 2126	1	B, T		EPO	DDQ	BOLT, Oil Receiver Pipe
31	8350 2122	1	B, T		EPO	DDQ	PIPE, Oil Receiver
32							PIPE, Oil Receiver
	8350 0646	1	B, T		EPO	DDQ	

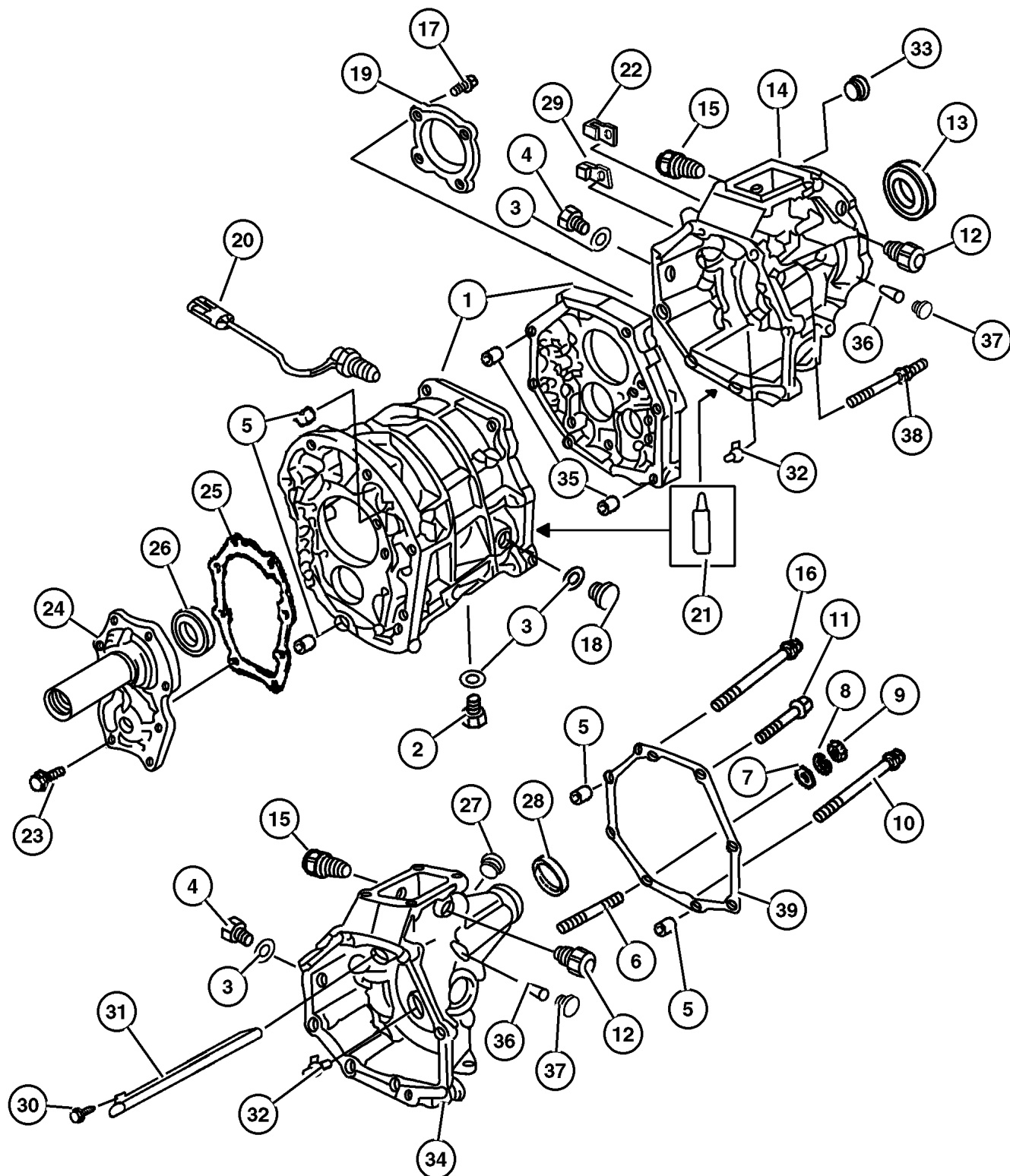
JEEP CHEROKEE (XJ)

SERIES	LINE	BODY	ENGINE	TRANSMISSION
P=Classic	J=LHD (4WD)	74=4 Dr.(101.4WB)	ENC,EN0=2.5L 4 cyl. Turbo Die	DDD, DDQ=5 spd. Man.
S=Limited	U=RHD (4WD)	72=2 Dr.(101.4WB)	ERH,ER0=4.0L Power Tech I-6	DGS=4 spd. Auto. AISIN
H=Sport	T=LHD (2WD)		EPE,EP0=Magnum 2.5L SMPI	DG0=All Auto/Trans.
L=SE	B=RHD (2WD)			DBB=All Manual Trans.

AR = Use as required - = Non illustrated part # = New this model year

April 5, 2002

Case and Extension AX5 (DDQ)  
Figure AX-210



ITEM	PART NUMBER	QTY	LINE	SERIES	ENGINE	TRANS	DESCRIPTION
		1	J, U		EPO	DDQ	
33	8350 3109	AR	J, U		EPO	DDQ	CAP, Detent
34	8350 6013	1	B, T		EPO	DDQ	HOUSING, Transmission Rear Extension
35	5003 663AA	2	B, T		EPO	DDQ	PIN, Locating
		2	J, U		EPO	DDQ	
36	8350 0540	3	B, T		EPO	DDQ	PIN, Shift Shaft
		3	J, U		EPO	DDQ	
37	8350 0524	6	B, T		EPO	DDQ	PLUG, Transmission
		6	J, U		EPO	DDQ	
38	8350 0972	1	J, U		EPO	DDQ	STUD, Hex Shoulder, M10x1.25x105
39							GASKET, (NOT REQUIRED)

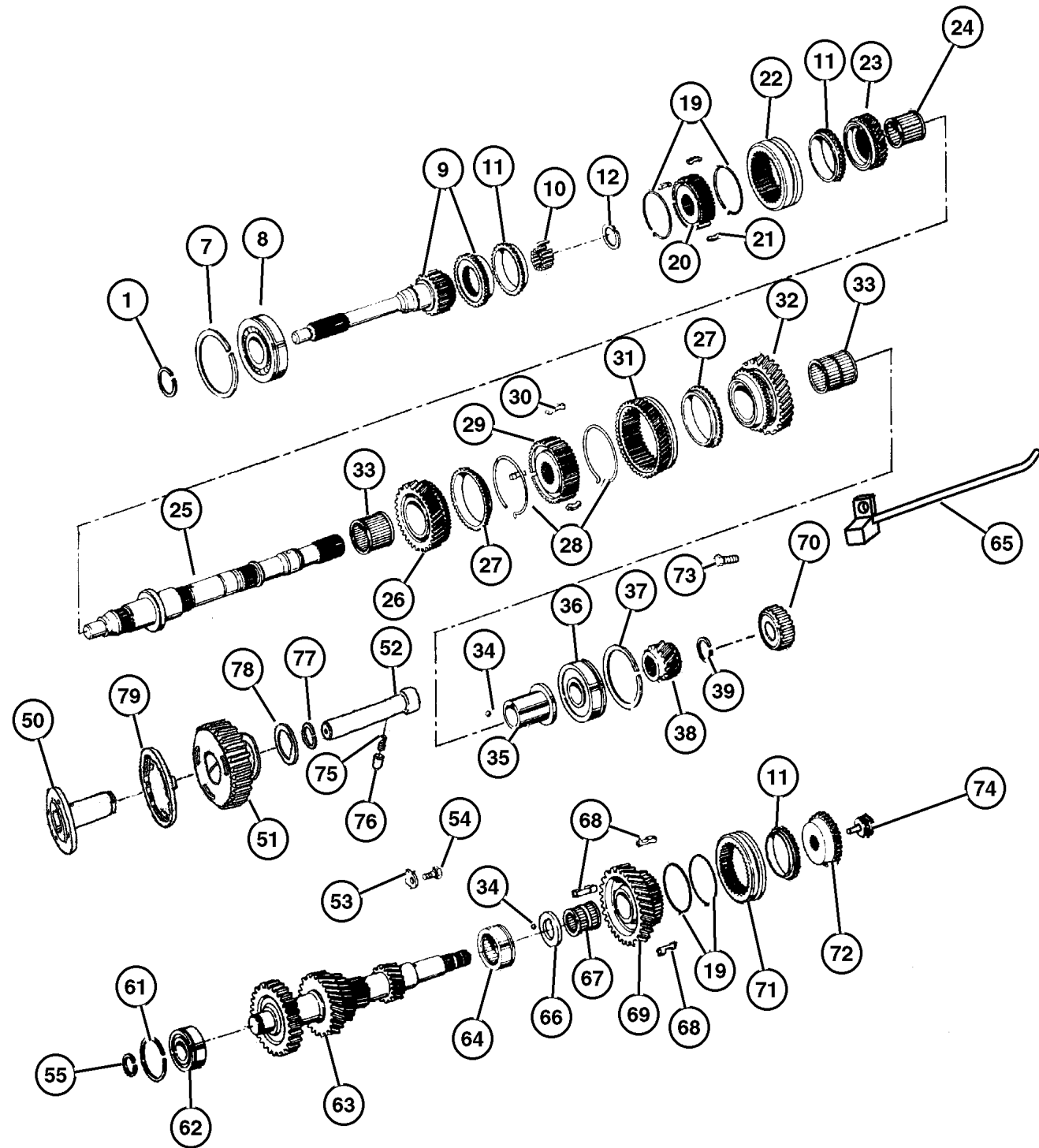
JEEP CHEROKEE (XJ)

SERIES	LINE	BODY	ENGINE	TRANSMISSION
P=Classic	J=LHD (4WD)	74=4 Dr.(101.4WB)	ENC,EN0=2.5L 4 cyl. Turbo Die	DDD, DDQ=5 spd. Man.
S=Limited	U=RHD (4WD)	72=2 Dr.(101.4WB)	ERH,ER0=4.0L Power Tech I-6	DGS=4 spd. Auto. AISIN
H=Sport	T=LHD (2WD)		EPE,EP0=Magnum 2.5L SMPI	DG0=All Auto/Trans.
L=SE	B=RHD (2WD)			DBB=All Manual Trans.

AR = Use as required - = Non illustrated part # = New this model year

April 5, 2002

## Gear Train AX 5 (DDQ) Figure AX-410



ITEM	PART NUMBER	QTY	LINE	SERIES	ENGINE	TRANS	DESCRIPTION
Notes: nsmission							
DDQ = 5 Speed Manual Transmission nsmission							
EPO = All 2.5L Gas Engines nsmission							
1							SNAP RING
	8350 0645	1	B, T		EPO	DDQ	52104546
		1	J, U		EPO	DDQ	52104547
-2							SNAP RING, Input Shaft, 2.10mm
	8350 0607	1	B, T		EPO	DDQ	52104546
		1	J, U		EPO	DDQ	52104547
-3							SNAP RING, Input Shaft, 2.15mm
	8350 0608	1	B, T		EPO	DDQ	52104546
		1	J, U		EPO	DDQ	52104547
-4							SNAP RING, Input Shaft, 2.20mm
	8350 0609	1	B, T		EPO	DDQ	52104546
		1	J, U		EPO	DDQ	52104547
-5							SNAP RING, Input Shaft, 2.25mm
	8350 0610	1	B, T		EPO	DDQ	52104546
		1	J, U		EPO	DDQ	52104547
-6							SNAP RING, Input Shaft, 2.30mm
	8350 0611	1	B, T		EPO	DDQ	52104546
		1	J, U		EPO	DDQ	52104547
7							SNAP RING
	8350 0614	1	B, T		EPO	DDQ	52104546
		1	J, U		EPO	DDQ	52104547
8							BEARING, Input Shaft
	8350 2681	1	B, T		EPO	DDQ	52104546
		1	J, U		EPO	DDQ	52107747
9							SHAFT, Input
	8350 6020	1	B, T		EPO	DDQ	52104546
		1	J, U		EPO	DDQ	52104547
10							ROLLER, Input Gear
	8350 2680	13	B, T		EPO	DDQ	52104546
		13	J, U		EPO	DDQ	52104547
11							STOP RING, Synchronizer
	8350 0566	3	B, T		EPO	DDQ	
		3	J, U		EPO	DDQ	
		2	B, T		EPO	DDQ	52104546
		2	J, U		EPO	DDQ	52104547
12							SNAP RING, Mainshaft, 1.75mm
	8350 0598	1	B, T		EPO	DDQ	52104546
		1	J, U		EPO	DDQ	52104547
-13							SNAP RING, Mainshaft, 1.80mm

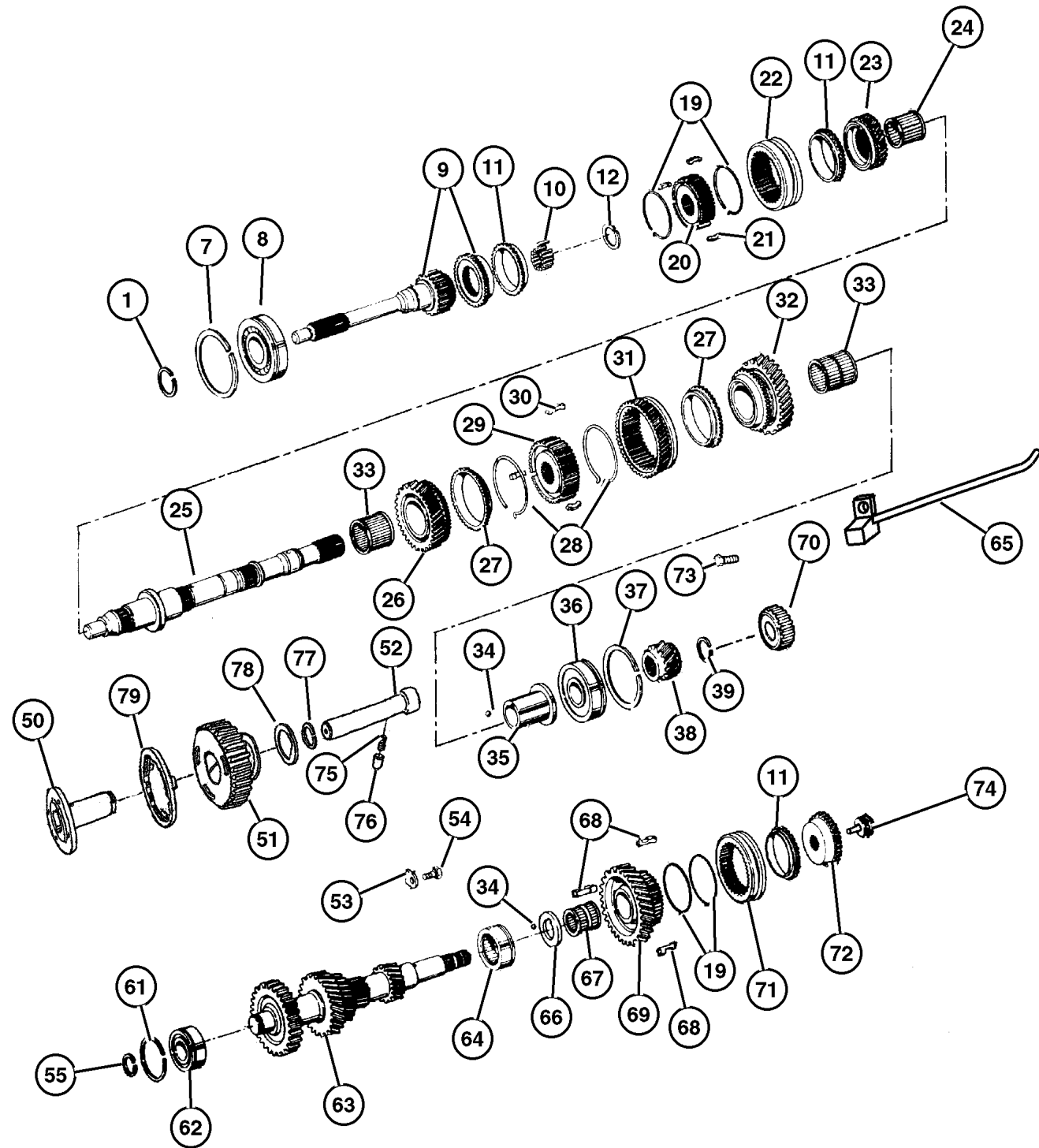
### JEEP CHEROKEE (XJ)

SERIES	LINE	BODY	ENGINE	TRANSMISSION
P=Classic	J=LHD (4WD)	74=4 Dr.(101.4WB)	ENC,EN0=2.5L 4 cyl. Turbo Die	DDD, DDQ=5 spd. Man.
S=Limited	U=RHD (4WD)	72=2 Dr.(101.4WB)	ERH,ER0=4.0L Power Tech I-6	DGS=4 spd. Auto. AISIN
H=Sport	T=LHD (2WD)		EPE,EPO=Magnum 2.5L SMPI	DG0=All Auto/Trans.
L=SE	B=RHD (2WD)			DBB=All Manual Trans.

AR = Use as required - = Non illustrated part # = New this model year

April 5, 2002

**Gear Train AX 5 (DDQ)  
Figure AX-410**



ITEM	PART NUMBER	QTY	LINE	SERIES	ENGINE	TRANS	DESCRIPTION
	8350 0599	1	B, T		EP0	DDQ	52104546
		1	J, U		EP0	DDQ	52104547
-14	8350 0602	1	B, T		EP0	DDQ	52104546
		1	J, U		EP0	DDQ	52104547
-15	8350 0603	1	B, T		EP0	DDQ	52104546
		1	J, U		EP0	DDQ	52104547
-16							SNAP RING, Mainshaft, 1.95mm
	8350 0604	1	B, T		EP0	DDQ	52104546
		1	J, U		EP0	DDQ	52104547
-17							SNAP RING, Mainshaft, 2.00mm
	8350 0605	1	B, T		EP0	DDQ	52104546
		1	J, U		EP0	DDQ	52104547
-18							SNAP RING, Mainshaft, 2.05mm
	8350 0606	1	B, T		EP0	DDQ	52104546
		1	J, U		EP0	DDQ	52104547
19							SPRING, Synchronizer Key
	8350 0568	4	B, T		EP0	DDQ	52104546
		4	J, U		EP0	DDQ	52104547
20							SYNCHRONIZER, Third and Fourth
	8350 6027	1	B, T		EP0	DDQ	52104546
		1	J, U		EP0	DDQ	52104547
21							KEY, Synchronizer
	8350 6029	3	B, T		EP0	DDQ	52104546
		3	J, U		EP0	DDQ	52107747
22							SLEEVE, Synchromesh Clutch Gear
	4740 235	1	B, T		EP0	DDQ	52104546
		1	J, U		EP0	DDQ	52104547
23							GEAR, Third
	8350 6019	1	B, T		EP0	DDQ	52104546
		1	J, U		EP0	DDQ	52104547
24							BEARING, Third Gear
	8350 0576	1	B, T		EP0	DDQ	52104546
		1	J, U		EP0	DDQ	52104547
25							MAINSHAFT, Transmission
	8350 2117	1	B, T		EP0	DDQ	52104546
	8350 3105	1	J, U		EP0	DDQ	52104547
26							GEAR, Second
	8350 6018	1	B, T		EP0	DDQ	52104546
		1	J, U		EP0	DDQ	52104547
27							STOP RING, Synchronizer

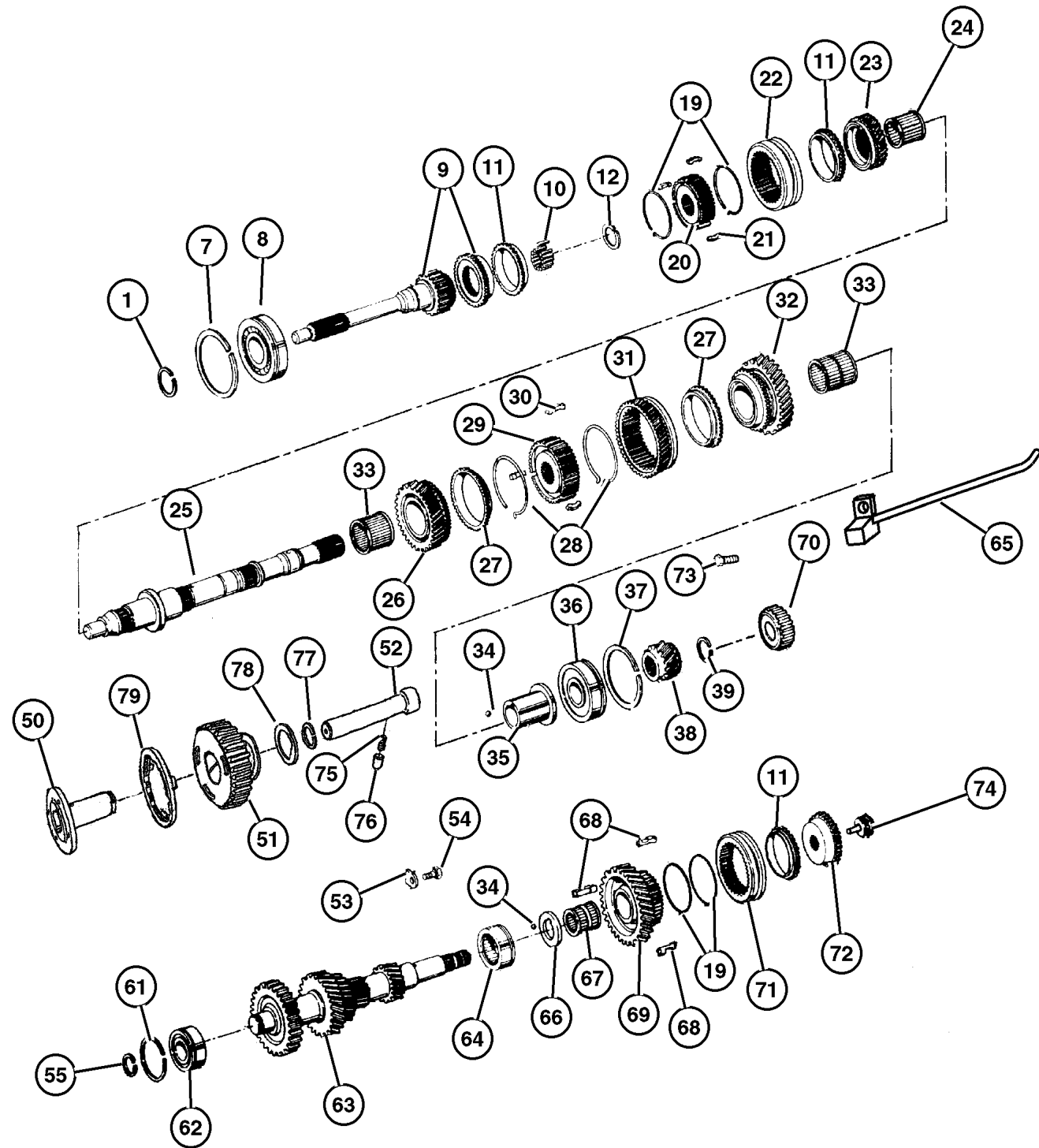
**JEEP CHEROKEE (XJ)**

SERIES	LINE	BODY	ENGINE	TRANSMISSION
P=Classic	J=LHD (4WD)	74=4 Dr.(101.4WB)	ENC,EN0=2.5L 4 cyl. Turbo Die	DDD, DDQ=5 spd. Man.
S=Limited	U=RHD (4WD)	72=2 Dr.(101.4WB)	ERH,ER0=4.0L Power Tech I-6	DGS=4 spd. Auto. AISIN
H=Sport	T=LHD (2WD)		EPE,EP0=Magnum 2.5L SMPI	DG0=All Auto/Trans.
L=SE	B=RHD (2WD)			DBB=All Manual Trans.

AR = Use as required - = Non illustrated part # = New this model year

April 5, 2002

**Gear Train AX 5 (DDQ)  
Figure AX-410**



ITEM	PART NUMBER	QTY	LINE	SERIES	ENGINE	TRANS	DESCRIPTION
	8350 0567	2	B, T		EPO	DDQ	52104546
		2	J, U		EPO	DDQ	52104547
28	8350 0569	2	B, T		EPO	DDQ	52104546
		2	J, U		EPO	DDQ	52104547
29							SYNCHRONIZER, First and Second
	8350 0561	1	B, T		EPO	DDQ	52104546
		1	J, U		EPO	DDQ	52104547
30							KEY, Synchronizer
	8350 0564	3	B, T		EPO	DDQ	52104546
		3	J, U		EPO	DDQ	52104547
31							GEAR, Reverse
	4897 101AA	1	B, T		EPO	DDQ	52104546
		1	J, U		EPO	DDQ	52104547
32							GEAR, First
	8350 6017	1	B, T		EPO	DDQ	52104546
		1	J, U		EPO	DDQ	52104547
33							BEARING, First Gear
	8350 6031	1	B, T		EPO	DDQ	52104546
		2	J, U		EPO	DDQ	52104547
34	8350 0573	2	B, T		EPO	DDQ	52104546
35							RACE, First Gear
	8350 6026	1	B, T		EPO	DDQ	52104546
		1	J, U		EPO	DDQ	52104547
36							BEARING, Mainshaft
	8350 6030	1	B, T		EPO	DDQ	52104546
		1	J, U		EPO	DDQ	52104547
37							SNAP RING
	8350 0613	1	B, T		EPO	DDQ	52104546
		1	J, U		EPO	DDQ	52104547
38							GEAR, Fifth
	8350 0971	1	B, T		EPO	DDQ	52104546
		1	J, U		EPO	DDQ	52104547
39							SNAP RING, Mainshaft, 2.67-2.72mm
	8350 0587	1	B, T		EPO	DDQ	52104546
		1	J, U		EPO	DDQ	52104547
-40							SNAP RING, Mainshaft, 2.73-2.78mm
	8350 0588	1	B, T		EPO	DDQ	52104546
		1	J, U		EPO	DDQ	52104547
-41							SNAP RING, Mainshaft, 2.79-2.84mm
	8350 0589	1	B, T		EPO	DDQ	52104546
		1	J, U		EPO	DDQ	52104547
-42							SNAP RING, Mainshaft, 2.85-2.90mm

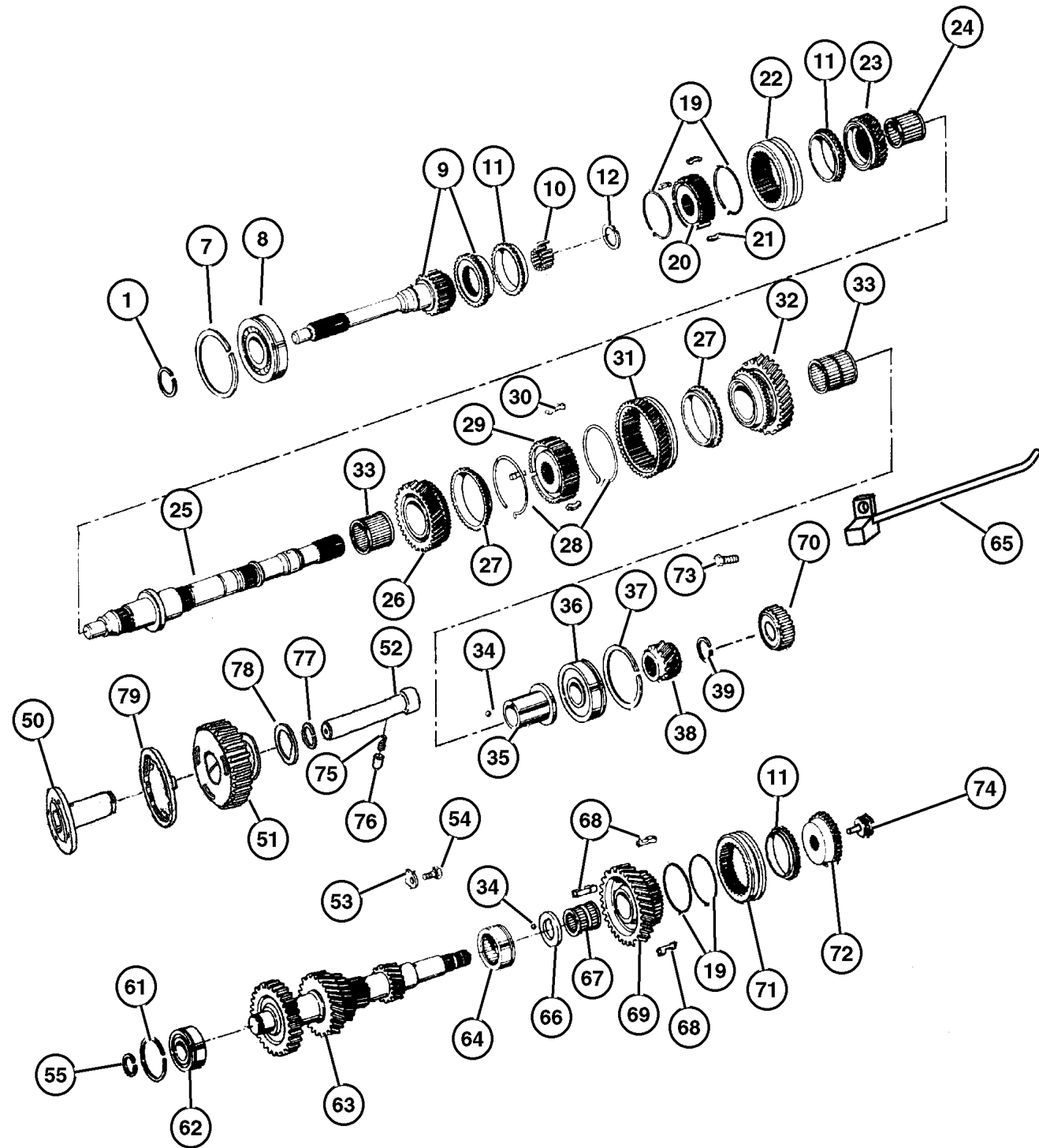
**JEEP CHEROKEE (XJ)**

SERIES	LINE	BODY	ENGINE	TRANSMISSION
P=Classic	J=LHD (4WD)	74=4 Dr.(101.4WB)	ENC,EN0=2.5L 4 cyl. Turbo Die	DDD, DDQ=5 spd. Man.
S=Limited	U=RHD (4WD)	72=2 Dr.(101.4WB)	ERH,ER0=4.0L Power Tech I-6	DGS=4 spd. Auto. AISIN
H=Sport	T=LHD (2WD)		EPE,EP0=Magnum 2.5L SMPI	DG0=All Auto/Trans.
L=SE	B=RHD (2WD)			DBB=All Manual Trans.

AR = Use as required - = Non illustrated part # = New this model year

April 5, 2002

**Gear Train AX 5 (DDQ)  
Figure AX-410**



ITEM	PART NUMBER	QTY	LINE	SERIES	ENGINE	TRANS	DESCRIPTION
	8350 0590	1	B, T		EP0	DDQ	52104546
		1	J, U		EP0	DDQ	52104547
-43							SNAP RING, Mainshaft, 2.91-2.96mm
	8350 0591	1	B, T		EP0	DDQ	52104546
		1	J, U		EP0	DDQ	52104547
-44							SNAP RING, Mainshaft, 2.97-3.02mm
	8350 0592	1	B, T		EP0	DDQ	52104546
		1	J, U		EP0	DDQ	52104547
-45							SNAP RING, Mainshaft, 3.03-3.08mm
	8350 0593	1	B, T		EP0	DDQ	52104546
		1	J, U		EP0	DDQ	52104747
-46							SNAP RING, Mainshaft, 3.09-3.14mm
	8350 0594	1	B, T		EP0	DDQ	52104546
		1	J, U		EP0	DDQ	52104547
-47							SNAP RING, Mainshaft, 3.15-3.20mm
	8350 0595	1	B, T		EP0	DDQ	52104546
		1	J, U		EP0	DDQ	52104547
-48							SNAP RING, Mainshaft, 3.21-3.26mm
	8350 0596	1	B, T		EP0	DDQ	52104546
		1	J, U		EP0	DDQ	52104547
-49							SNAP RING, Mainshaft
	8350 0597	1	B, T		EP0	DDQ	3.27mm/3.32mm. 52104546
		1	J, U		EP0	DDQ	3.27mm/3.32mm. 52104547
50							RACE, Idler Gear
	4897 107AA	1	B, T		EP0	DDQ	52104546
		1	J, U		EP0	DDQ	52104547
51							GEAR, Reverse Idler
	4897 102AA	1	B, T		EP0	DDQ	52104546
		1	J, U		EP0	DDQ	52104547
52							IDLER SHAFT, Transmission
	4897 104AA	1	B, T		EP0	DDQ	52104546
		1	J, U		EP0	DDQ	52104547
53							STOPPER, Idler Shaft
	4883 380AA	1	B, T		EP0	DDQ	52104546
		1	J, U		EP0	DDQ	52104547
54							BOLT AND LOCK WASHER, Hex Head, M8x1.25x20
	8350 0615	1	B, T		EP0	DDQ	52104546
		1	J, U		EP0	DDQ	52104547
55							SNAP RING, Cluster Gear, 2.05mm
	8350 0581	1	B, T		EP0	DDQ	52104546
		1	J, U		EP0	DDQ	52104547
-56							SNAP RING, Cluster Gear, 2.10-2.15mm

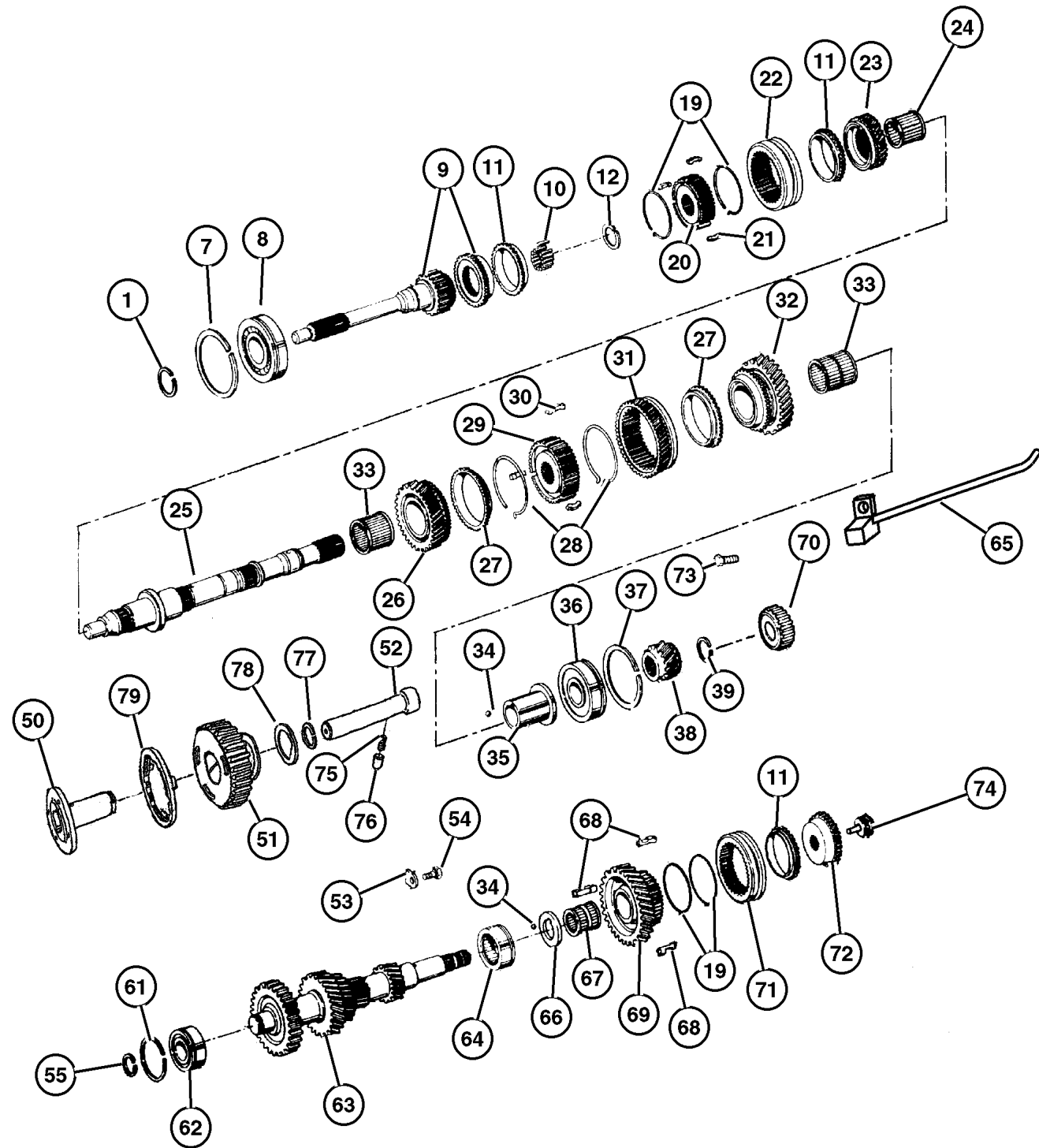
**JEEP CHEROKEE (XJ)**

SERIES	LINE	BODY	ENGINE	TRANSMISSION
P=Classic	J=LHD (4WD)	74=4 Dr.(101.4WB)	ENC,EN0=2.5L 4 cyl. Turbo Die	DDD, DDQ=5 spd. Man.
S=Limited	U=RHD (4WD)	72=2 Dr.(101.4WB)	ERH,ER0=4.0L Power Tech I-6	DGS=4 spd. Auto. AISIN
H=Sport	T=LHD (2WD)		EPE,EP0=Magnum 2.5L SMPI	DG0=All Auto/Trans.
L=SE	B=RHD (2WD)			DBB=All Manual Trans.

AR = Use as required - = Non illustrated part # = New this model year

April 5, 2002

**Gear Train AX 5 (DDQ)  
Figure AX-410**



ITEM	PART NUMBER	QTY	LINE	SERIES	ENGINE	TRANS	DESCRIPTION
	8350 0582	1	B, T		EPO	DDQ	52104546
		1	J, U		EPO	DDQ	52104547
-57							SNAP RING, Cluster Gear, 2.15mm
	8350 0583	1	B, T		EPO	DDQ	52104546
		1	J, U		EPO	DDQ	52104547
-58							SNAP RING, Cluster Gear, 2.20mm
	8350 0584	1	B, T		EPO	DDQ	52104546
		1	J, U		EPO	DDQ	52104547
-59							SNAP RING, Cluster Gear, 2.25mm
	8350 0585	1	B, T		EPO	DDQ	52104546
		1	J, U		EPO	DDQ	52104547
-60							SNAP RING, Cluster Gear, 2.30mm
	8350 0586	1	B, T		EPO	DDQ	52104546
		1	J, U		EPO	DDQ	52104547
61							SNAP RING
	8350 0612	1	J, U		EPO	DDQ	With Transmission (52107747)
		1	B, T		EPO	DDQ	With Transmission (52107746)
62							BEARING, Cluster Gear
	8350 6032	1	B, T		EPO	DDQ	52104546
		1	J, U		EPO	DDQ	52104547
63							GEAR, Countershaft
	4897 103AA	1	J, U		EPO	DDQ	
		1	B, T		EPO	DDQ	
64							BEARING, Cluster Gear
	8350 6033	1	B, T		EPO	DDQ	52104546
		1	J, U		EPO	DDQ	52104547
65	8350 2122	1	B, T		EPO	DDQ	PIPE, Oil Receiver, 52104546
66							THRUST WASHER, Fourth Gear
	8350 6025	1	B, T		EPO	DDQ	52104546
		1	J, U		EPO	DDQ	52104547
67							NEEDLE BEARING, Fifth Gear
	8350 0644	1	B, T		EPO	DDQ	52104546
		2	J, U		EPO	DDQ	52104547
68							KEY, Synchronizer
	8350 0641	3	B, T		EPO	DDQ	52104546
		3	J, U		EPO	DDQ	52104547
69							GEAR, Countershaft Fifth
	8350 6022	1	B, T		EPO	DDQ	52104546
		1	J, U		EPO	DDQ	52104547
70	8350 2121	1	B, T		EPO	DDQ	GEAR, Speedometer Drive, 52104546
71							SLEEVE, Synchronizer
	4746 657	1	B, T		EPO	DDQ	52104546

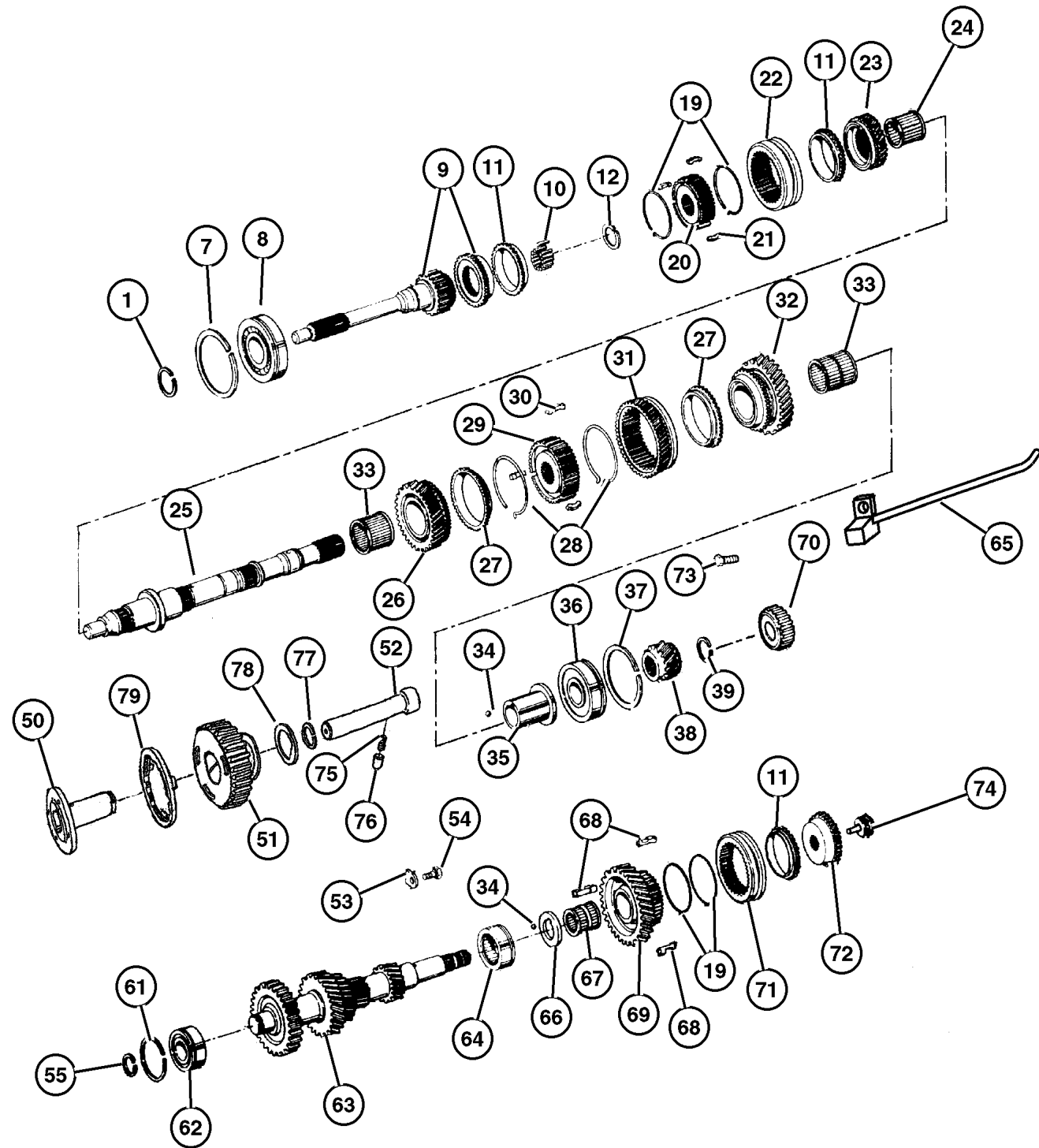
**JEEP CHEROKEE (XJ)**

SERIES	LINE	BODY	ENGINE	TRANSMISSION
P=Classic	J=LHD (4WD)	74=4 Dr.(101.4WB)	ENC,EN0=2.5L 4 cyl. Turbo Die	DDD, DDQ=5 spd. Man.
S=Limited	U=RHD (4WD)	72=2 Dr.(101.4WB)	ERH,ER0=4.0L Power Tech I-6	DGS=4 spd. Auto. AISIN
H=Sport	T=LHD (2WD)		EPE,EP0=Magnum 2.5L SMPI	DG0=All Auto/Trans.
L=SE	B=RHD (2WD)			DBB=All Manual Trans.

AR = Use as required - = Non illustrated part # = New this model year

April 5, 2002

**Gear Train AX 5 (DDQ)  
Figure AX-410**



ITEM	PART NUMBER	QTY	LINE	SERIES	ENGINE	TRANS	DESCRIPTION
		1	J, U		EP0	DDQ	52104547
72	8350 6024	1	B, T		EP0	DDQ	GEAR, Fifth Splined 52104546
		1	J, U		EP0	DDQ	52104547
73	8350 2126	1	B, T		EP0	DDQ	BOLT, Oil Receiver Pipe, 52104546
74	8350 0646	1	B, T		EP0	DDQ	PIPE, Oil Receiver 52104546
		1	J, U		EP0	DDQ	52104547
75	4897 110AA	1	B, T		EP0	DDQ	52104546
		1	J, U		EP0	DDQ	52104547
76	4897 109AA	1	B, T		EP0	DDQ	52104546
		1	J, U		EP0	DDQ	52104547
77	4897 112AA	1	J, U		EP0	DDQ	52104547
		1	B, T		EP0	DDQ	52104546
78	4897 108AA	1	B, T		EP0	DDQ	52104546
		1	J, U		EP0	DDQ	52104547
79	4897 111AA	1	B, T		EP0	DDQ	52104546
		1	J, U		EP0	DDQ	52104547

**JEEP CHEROKEE (XJ)**

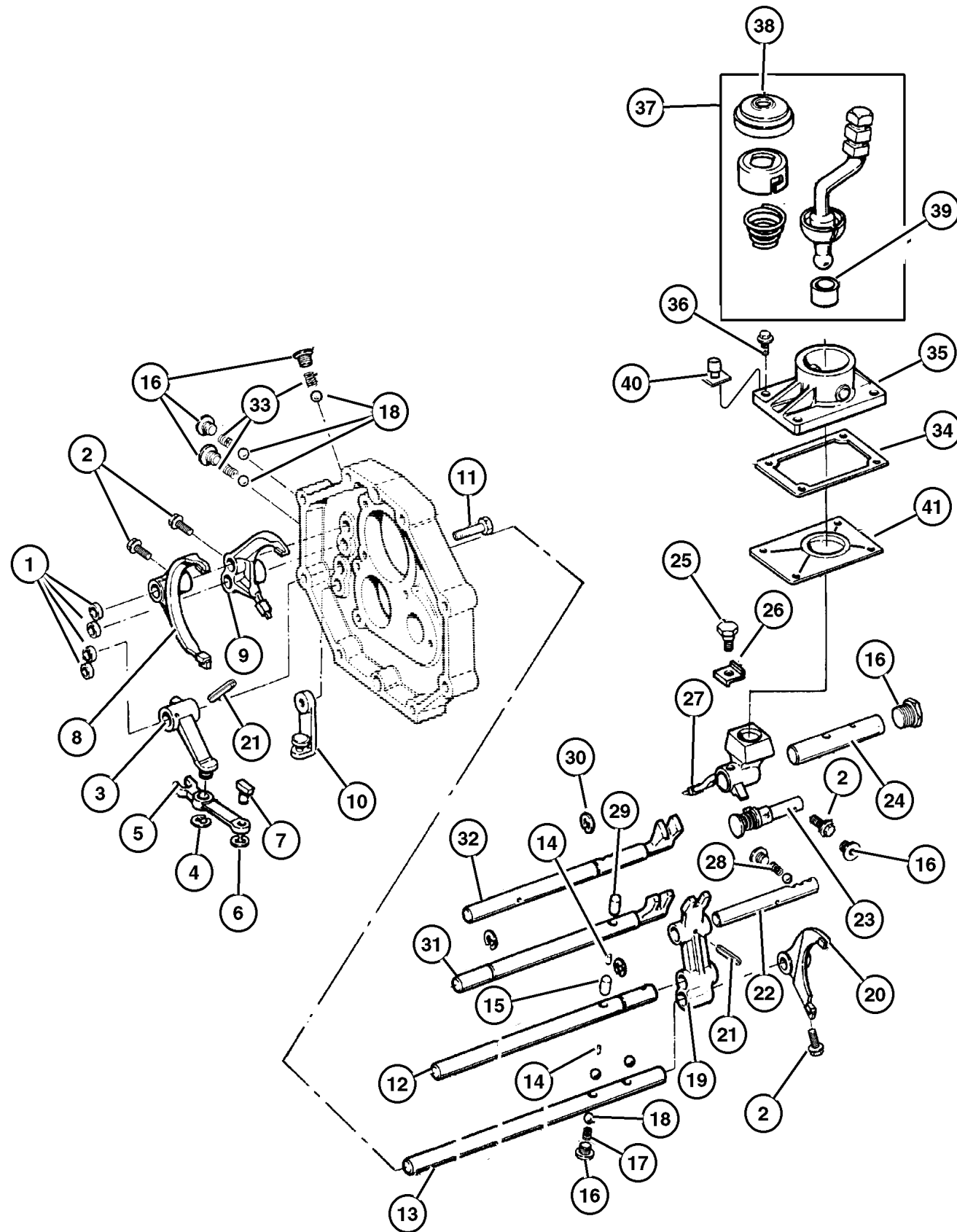
SERIES	LINE	BODY	ENGINE	TRANSMISSION
P=Classic	J=LHD (4WD)	74=4 Dr.(101.4WB)	ENC,EN0=2.5L 4 cyl. Turbo Die	DDD, DDQ=5 spd. Man.
S=Limited	U=RHD (4WD)	72=2 Dr.(101.4WB)	ERH,ER0=4.0L Power Tech I-6	DGS=4 spd. Auto. AISIN
H=Sport	T=LHD (2WD)		EPE,EP0=Magnum 2.5L SMPI	DG0=All Auto/Trans.
L=SE	B=RHD (2WD)			DBB=All Manual Trans.

AR = Use as required - = Non illustrated part # = New this model year

April 5, 2002



Forks AX 5 (DDQ)  
Figure AX-910



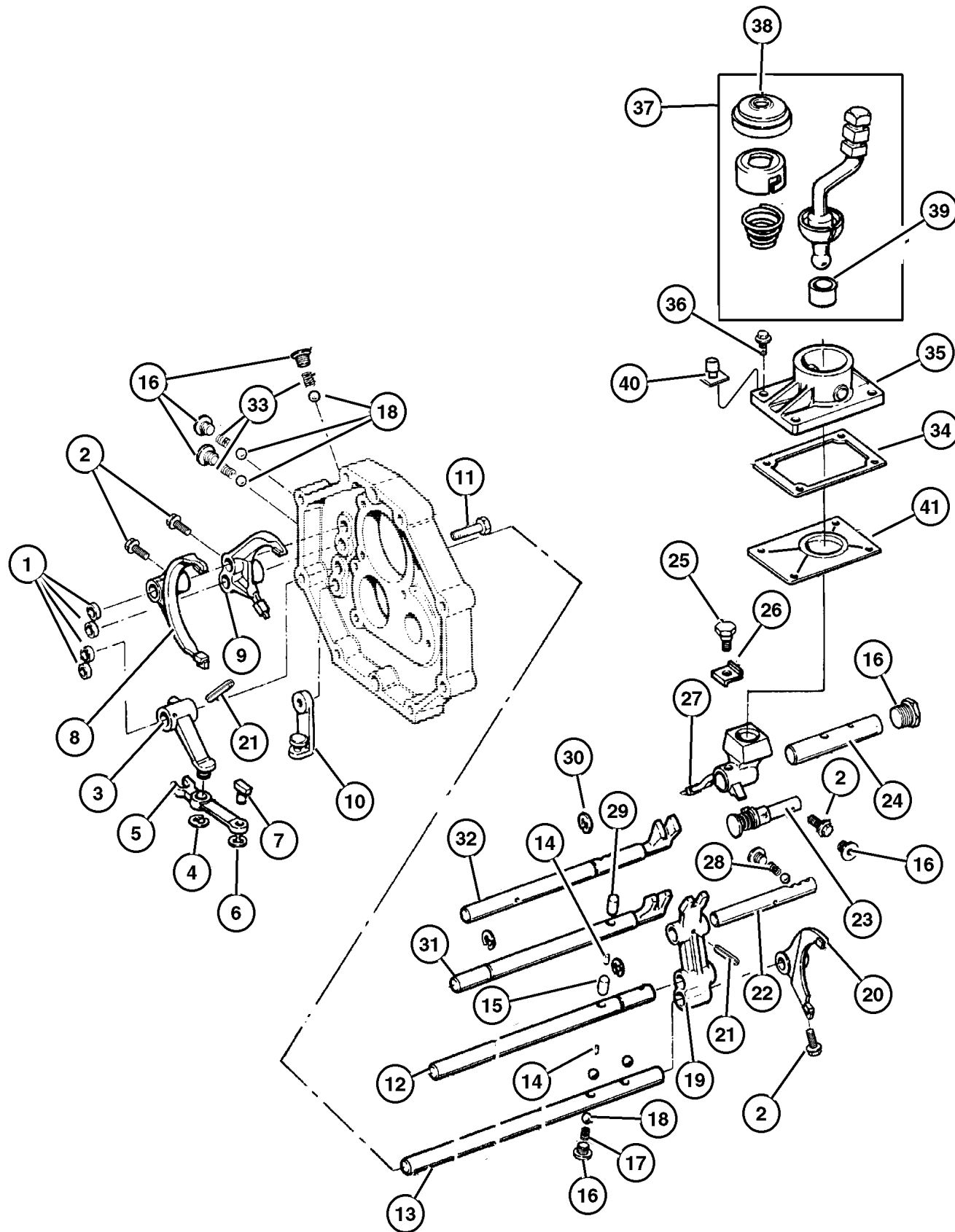
ITEM	PART NUMBER	QTY	LINE	SERIES	ENGINE	TRANS	DESCRIPTION
Notes: nsmission							
DDQ = 5 Speed Manual Transmission nsmission							
EPO = All 2.5L Gas Engines nsmission							
1							PLUG, Shift Rail
	8350 0503	4	B, T		EPO	DDQ	
		4	J, U		EPO	DDQ	
2							BOLT, Shift Fork
	8350 2664	3	B, T		EPO	DDQ	
		3	J, U		EPO	DDQ	
3							FORK, Transmission
	8350 0526	1	B, T		EPO	DDQ	
		1	J, U		EPO	DDQ	
4							SNAP RING
	8350 0548	1	B, T		EPO	DDQ	
		1	J, U		EPO	DDQ	
5							ARM, Reverse Shift
	4897 099AA	1	B, T		EPO	DDQ	
		1	J, U		EPO	DDQ	
6							SNAP RING
	8350 0547	1	B, T		EPO	DDQ	
		1	J, U		EPO	DDQ	
7							SHOE, Shift Lever
	4897 100AA	1	B, T		EPO	DDQ	
		1	J, U		EPO	DDQ	
8							FORK PACKAGE, Shift
	4740 236	1	B, T		EPO	DDQ	
		1	J, U		EPO	DDQ	
9							FORK, Transmission
	8350 2662	1	B, T		EPO	DDQ	
		1	J, U		EPO	DDQ	
10							BRACKET, Reverse Arm
	8350 0531	1	B, T		EPO	DDQ	
		1	J, U		EPO	DDQ	
11							BOLT, Bearing Retainer
	8350 0549	2	B, T		EPO	DDQ	
		2	J, U		EPO	DDQ	
12							SHAFT, Gear Shift Fork, Number 3
	4746 659	1	B, T		EPO	DDQ	
		1	J, U		EPO	DDQ	
13							SHAFT, Gear Shift Fork, Number 4
	4746 660	1	B, T		EPO	DDQ	
		1	J, U		EPO	DDQ	
14							PIN, Shift Shaft

**JEEP CHEROKEE (XJ)**  
 SERIES LINE BODY ENGINE TRANSMISSION  
 P=Classic J=LHD (4WD) 74=4 Dr.(101.4WB) ENC,EN0=2.5L 4 cyl. Turbo Die DDD, DDQ=5 spd. Man.  
 S=Limited U=RHD (4WD) 72=2 Dr.(101.4WB) ERH,ER0=4.0L Power Tech I-6 DGS=4 spd. Auto. AISIN  
 H=Sport T=LHD (2WD) EPE,EPO=Magnum 2.5L SMPI DG0=All Auto/Trans.  
 L=SE B=RHD (2WD) DBB=All Manual Trans.

AR = Use as required - = Non illustrated part # = New this model year

April 5, 2002

Forks AX 5 (DDQ)  
Figure AX-910



ITEM	PART NUMBER	QTY	LINE	SERIES	ENGINE	TRANS	DESCRIPTION
	8350 0537	2	B, T		EPO	DDQ	
		2	J, U		EPO	DDQ	
15	8350 0541	1	B, T		EPO	DDQ	PIN, Interlock, 21.6mm
		1	J, U		EPO	DDQ	
16							PLUG, Transmission
	8350 0524	6	B, T		EPO	DDQ	
		6	J, U		EPO	DDQ	
17							SPRING, Compression Shift
	8350 0638	1	B, T		EPO	DDQ	
		1	J, U		EPO	DDQ	
18							BALL, Gearshift Fork Lock
	8350 0542	7	B, T		EPO	DDQ	
		7	J, U		EPO	DDQ	
19							HEAD, Shifter Shaft
	4746 658	1	B, T		EPO	DDQ	
		1	J, U		EPO	DDQ	
20							FORK, Transmission
	4746 656	1	B, T		EPO	DDQ	
		1	J, U		EPO	DDQ	
21							PIN, Shift Shaft
	8350 0540	3	B, T		EPO	DDQ	
		3	J, U		EPO	DDQ	
22							SHAFT, Selector
	8350 0536	1	B, T		EPO	DDQ	
		1	J, U		EPO	DDQ	
23							PIN, Reverse
	8350 0635	1	B, T		EPO	DDQ	
		1	J, U		EPO	DDQ	
24							SHAFT, Shift Lever
	8350 0514	1	B, T		EPO	DDQ	
		1	J, U		EPO	DDQ	
25							BOLT
	8350 6036	1	B, T		EPO	DDQ	
		1	J, U		EPO	DDQ	
26							WASHER, Lock
	8350 0626	1	B, T		EPO	DDQ	
		1	J, U		EPO	DDQ	
27							HOUSING, Shift Lever
	8350 0636	1	B, T		EPO	DDQ	
		1	J, U		EPO	DDQ	
28							SPRING, Compression

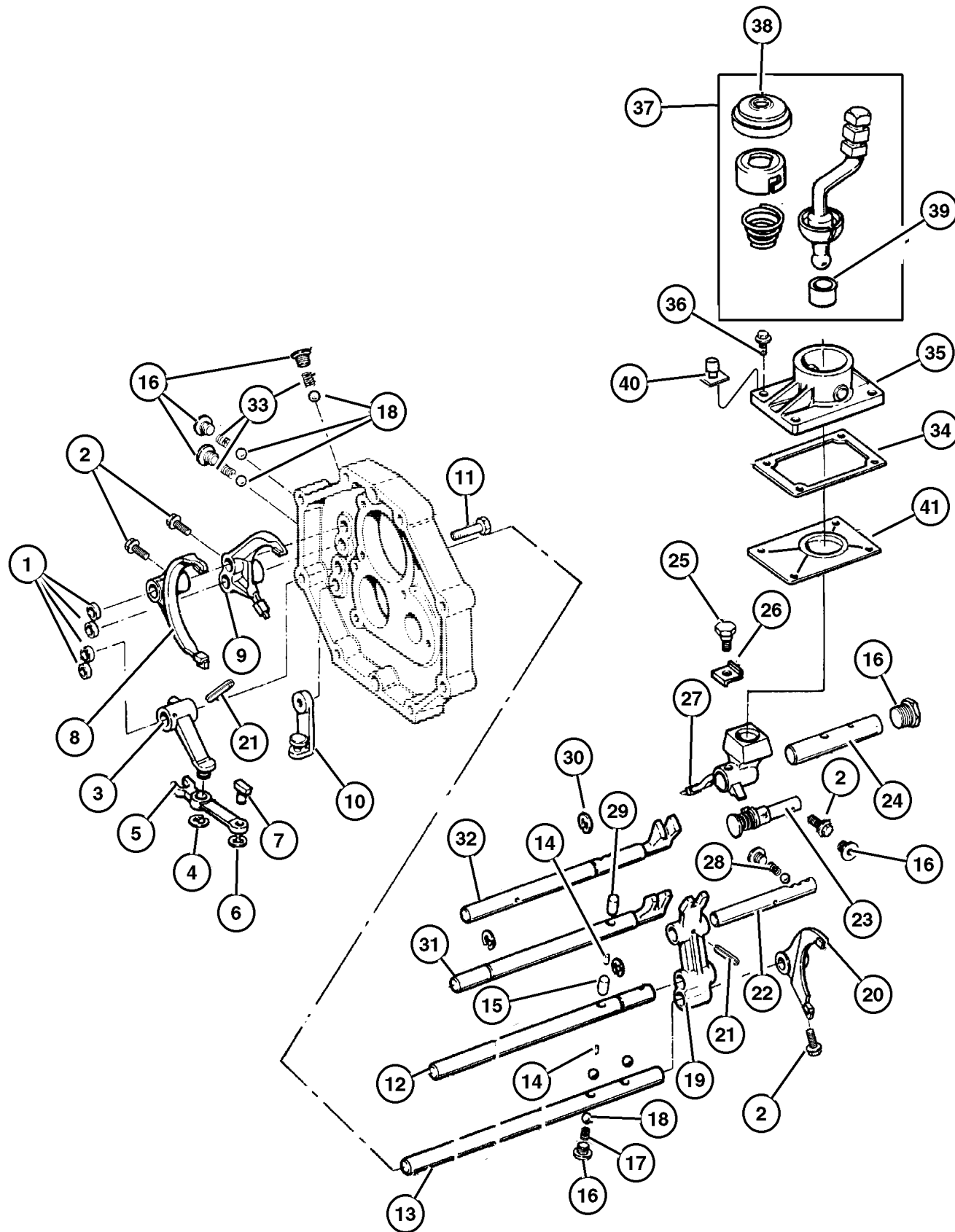
JEEP CHEROKEE (XJ)

SERIES	LINE	BODY	ENGINE	TRANSMISSION
P=Classic	J=LHD (4WD)	74=4 Dr.(101.4WB)	ENC,EN0=2.5L 4 cyl. Turbo Die	DDD, DDQ=5 spd. Man.
S=Limited	U=RHD (4WD)	72=2 Dr.(101.4WB)	ERH,ER0=4.0L Power Tech I-6	DGS=4 spd. Auto. AISIN
H=Sport	T=LHD (2WD)		EPE,EP0=Magnum 2.5L SMPI	DG0=All Auto/Trans.
L=SE	B=RHD (2WD)			DBB=All Manual Trans.

AR = Use as required - = Non illustrated part # = New this model year

April 5, 2002

Forks AX 5 (DDQ)  
Figure AX-910



ITEM	PART NUMBER	QTY	LINE	SERIES	ENGINE	TRANS	DESCRIPTION
	8350 0544	1	B, T		EPO	DDQ	
		1	J, U		EPO	DDQ	
29	8350 0543	1	B, T		EPO	DDQ	PIN, Interlock, 30.3mm
		1	J, U		EPO	DDQ	
30							SNAP RING
	8350 6054	3	B, T		EPO	DDQ	
		3	J, U		EPO	DDQ	
31							SHAFT, Gear Shift Fork, Number 1
	4874 510	1	B, T		EPO	DDQ	
		1	J, U		EPO	DDQ	
32							SHAFT, Selector
	8350 6047	1	B, T		EPO	DDQ	
		1	J, U		EPO	DDQ	
33							SPRING, Compression Detent
	8350 0545	3	B, T		EPO	DDQ	
		3	J, U		EPO	DDQ	
34							GASKET, Shift Lever Housing
	8350 0521	1	B, T		EPO	DDQ	
		1	J, U		EPO	DDQ	
35							RETAINER, Control Shift Lever
	4864 219	1	B, T		EPO	DDQ	
		1	J, U		EPO	DDQ	
36							BOLT AND LOCK WASHER, Hex Head, M8x1.25x30
	8350 0525	4	B, T		EPO	DDQ	
		4	J, U		EPO	DDQ	
37							LEVER, Gearshift
	4874 289	1	B, T		EPO	DDQ	
		1	J, U		EPO	DDQ	
38							BOOT, Gearshift
	8350 0520	1	B, T		EPO	DDQ	
		1	J, U		EPO	DDQ	
39							BUSHING, Shift Lever
	8350 0519	1	B, T		EPO	DDQ	
		1	J, U		EPO	DDQ	
40							CAP, Vent
	4864 215	AR	B, T		EPO	DDQ	
		AR	J, U		EPO	DDQ	
41							SHIELD, Transmission
	4864 216	AR	B, T		EPO	DDQ	
		AR	J, U		EPO	DDQ	

JEEP CHEROKEE (XJ)

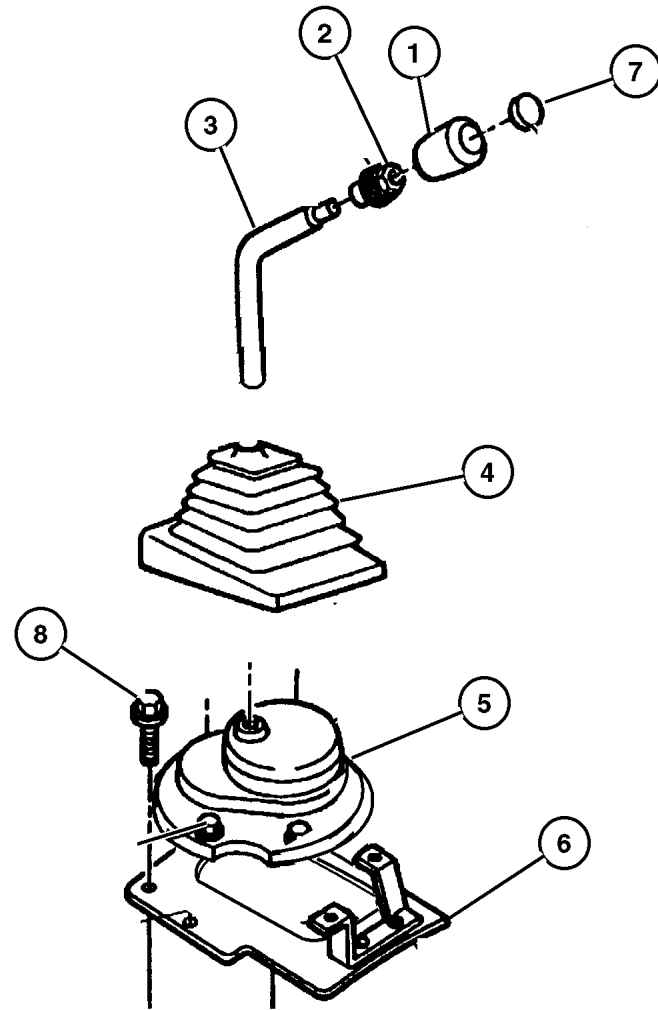
SERIES	LINE	BODY	ENGINE	TRANSMISSION
P=Classic	J=LHD (4WD)	74=4 Dr.(101.4WB)	ENC,EN0=2.5L 4 cyl. Turbo Die	DDD, DDQ=5 spd. Man.
S=Limited	U=RHD (4WD)	72=2 Dr.(101.4WB)	ERH,ER0=4.0L Power Tech I-6	DGS=4 spd. Auto. AISIN
H=Sport	T=LHD (2WD)		EPE,EP0=Magnum 2.5L SMPI	DG0=All Auto/Trans.
L=SE	B=RHD (2WD)			DBB=All Manual Trans.

AR = Use as required - = Non illustrated part # = New this model year

April 5, 2002

**Gearshift Controls (DDQ)  
Figure AX-1215**

ITEM	PART NUMBER	QTY	LINE	SERIES	ENGINE	TRANS	DESCRIPTION
Notes: nsmission							
DBB = All Manual Tansmissions nsmission							
DD0 = All 5 Speed Manual Transmissions nsmission							
DDQ = 5 Speed Manual Transmission nsmission							
EP0 = All 2.5L Gas Engines nsmission							
1	5210 4174	1				DD0	KNOB, Gearshift
2	6502 556	1				DBB	NUT, Hex, M10-1.5
3	4874 289	1	B, T		EP0	DDQ	LEVER, Gearshift
4	#52104 079AC	1	J, U		EP0	DDQ	BOOT, Gear Shift Lever
5	#5210 4170	1				DBB	BOOT, Gear Shift Lever
6	#5210 4169	1				DDD	COVER, Floor Pan
7	4446 921	1				DD0	INSERT, Transmission Shift Knob
8	J400 1701	AR					SCREW, Hex Self Tapping, .19-16x.50



**JEEP CHEROKEE (XJ)**

SERIES	LINE	BODY	ENGINE	TRANSMISSION
P=Classic	J=LHD (4WD)	74=4 Dr.(101.4WB)	ENC,EN0=2.5L 4 cyl. Turbo Die	DDD, DDQ=5 spd. Man.
S=Limited	U=RHD (4WD)	72=2 Dr.(101.4WB)	ERH,ER0=4.0L Power Tech I-6	DGS=4 spd. Auto. AISIN
H=Sport	T=LHD (2WD)		EPE,EP0=Magnum 2.5L SMPI	DG0=All Auto/Trans.
L=SE	B=RHD (2WD)			DBB=All Manual Trans.

AR = Use as required - = Non illustrated part # = New this model year

April 5, 2002

# Group – 231

## Transfer Case Model 231

### GROUP 231 - Transfer Case Model 231

Illustration Title

Group-Fig. No.

#### Transfer Case Assembly

Transfer Case Command Trac (DHN) ..... Fig. 231-110

#### Case and Related Parts

Case and Related Parts Command Trac (DHN) ..... Fig. 231-210

#### Gear Train

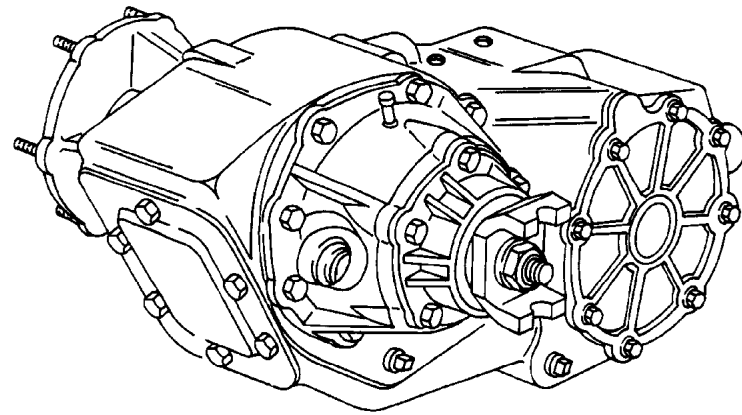
Gear Train Command Trac (DHN) ..... Fig. 231-410

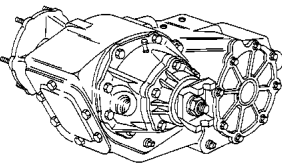
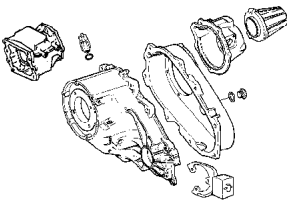
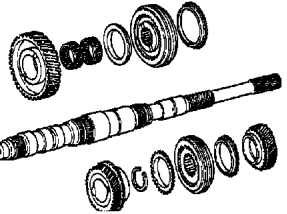
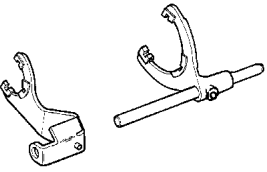
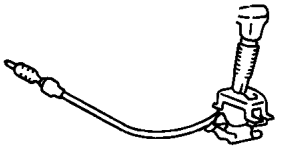
#### Fork and Rails

Fork and Rails Command Trac (DHN) ..... Fig. 231-910

#### Gearshift Controls

Gearshift Controls Command Trac (DHN) ..... Fig. 231-1220



<p><b>231-100</b> Transfer Case Assembly</p> 	<p><b>231-200</b> Case and Related Parts</p> 	<p><b>231-400</b> Gear Train</p> 	<p><b>231-900</b> Fork and Rails</p> 
<p><b>231-1200</b> Gearshift Controls</p> 			

**Transfer Case Command Trac (DHN)  
Figure 231-110**

ITEM	PART NUMBER	QTY	LINE	SERIES	ENGINE	TRANS	DESCRIPTION
------	-------------	-----	------	--------	--------	-------	-------------

Notes: nsmission

EPO= All 2.5L, 4 Cylinder, Gas Engine nsmission

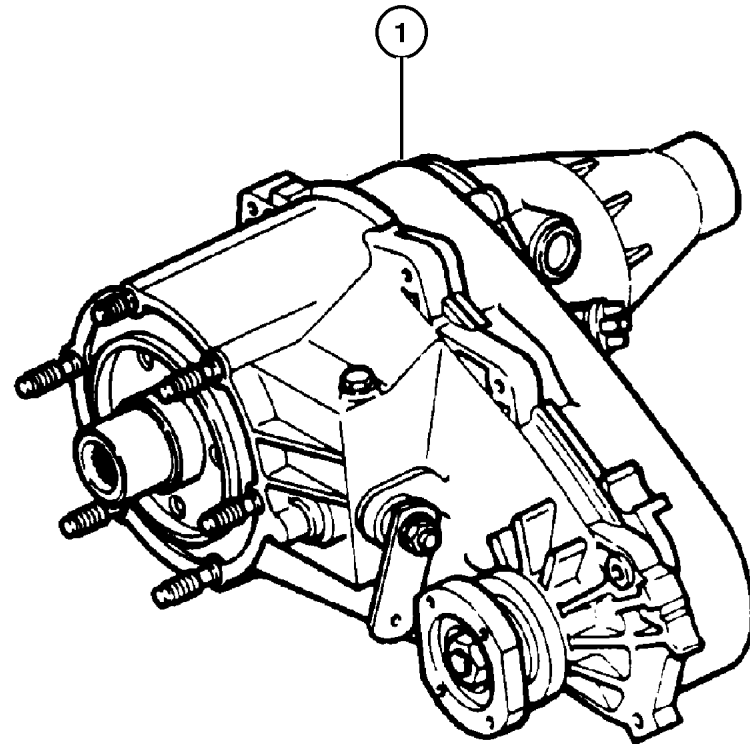
ER0= All 4.0L., 6 Cylinder, Gas Engine nsmission

EN0= All 4/5 Cylinder, Turbo Diesel Engine nsmission

DDQ = 5 Speed Manual Transmission nsmission

DG0 = All Automatic Transmissions nsmission

1							TRANSFER CASE, NV231
	5209 8913	1	J, U		EN0	DDQ	
	#52099 212AB	1	J, U		ER0	DG0	
	#52099 310AB	1	J, U		EPO	DDQ	



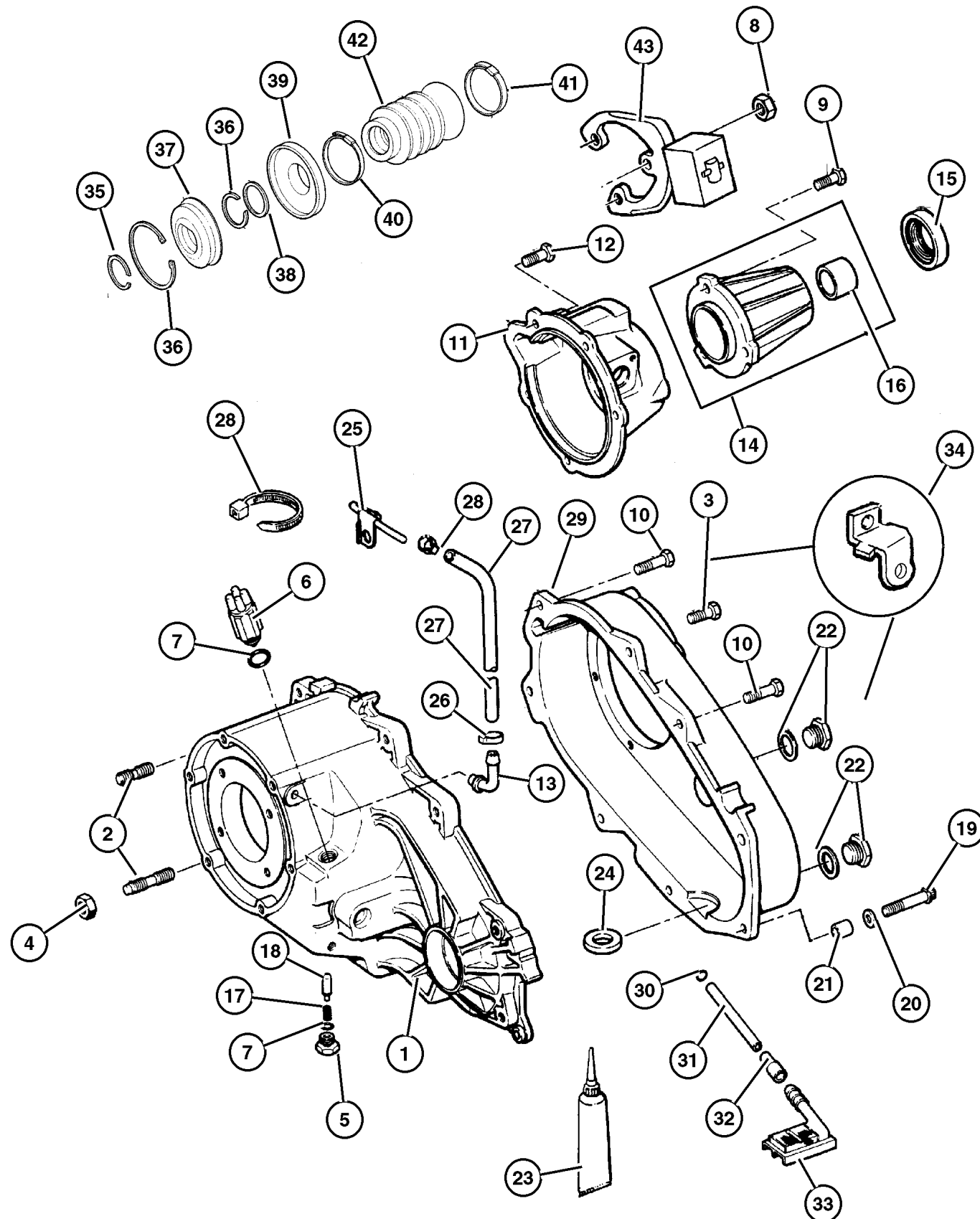
**JEEP CHEROKEE (XJ)**

SERIES	LINE	BODY	ENGINE	TRANSMISSION
P=Classic	J=LHD (4WD)	74=4 Dr.(101.4WB)	ENC,EN0=2.5L 4 cyl. Turbo Die	DDD, DDQ=5 spd. Man.
S=Limited	U=RHD (4WD)	72=2 Dr.(101.4WB)	ERH,ER0=4.0L Power Tech I-6	DGS=4 spd. Auto. AISIN
H=Sport	T=LHD (2WD)		EPE,EPO=Magnum 2.5L SMPI	DG0=All Auto/Trans.
L=SE	B=RHD (2WD)			DBB=All Manual Trans.

AR = Use as required - = Non illustrated part # = New this model year

April 5, 2002

**Case and Related Parts Command Trac (DHN)  
Figure 231-210**



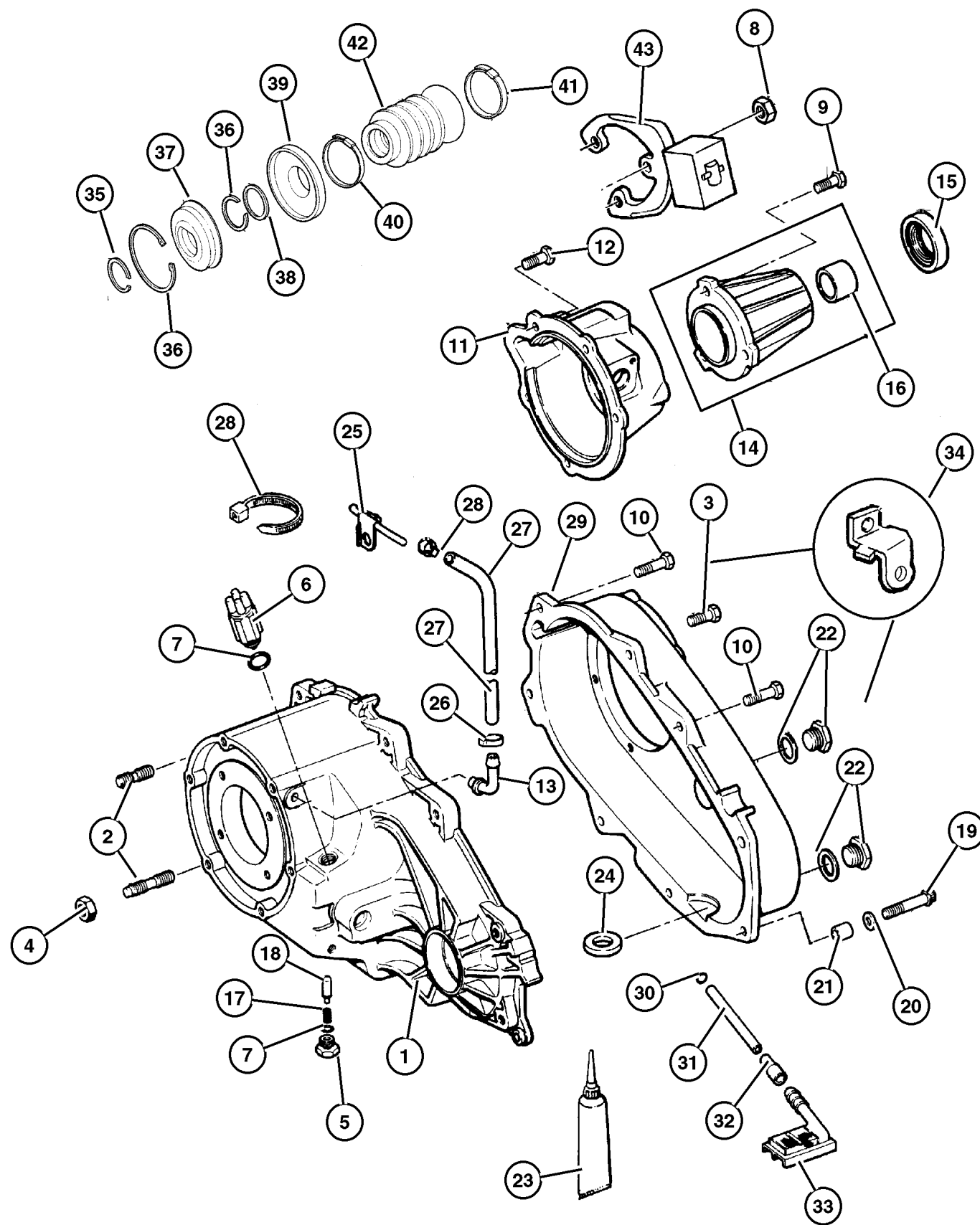
ITEM	PART NUMBER	QTY	LINE	SERIES	ENGINE	TRANS	DESCRIPTION
Notes: nsmission							
EPO= All 2.5L, 4 Cylinder, Gas Engine nsmission							
ER0= All 4.0L., 6 Cylinder, Gas Engine nsmission							
EN0= All 4/5 Cylinder, Turbo Diesel Engine nsmission							
DD0 = All 5 Speed Manual Transmissions nsmission							
DDQ = 5 Speed Manual Transmission nsmission							
DG0 = All Automatic Transmissions nsmission							
1							CASE, Transfer Front
	4796 949	1	J, U		EN0	DD0	
	4798 111	1	J, U		EPO	DDQ	
		1	J, U		ER0	DDD	
		1	J, U		ER0	DG0	
2							STUD
	4505 365	6	J, U		EN0	DD0	
		6	J, U		EPO	DDQ	
		6	J, U		ER0	DDD	
		6	J, U		ER0	DG0	
3							BOLT, Twelve Point Head, M10x1.5x48
	J813 0979	1	J, U		EN0	DD0	
		1	J, U		EPO	DDQ	
		1	J, U		ER0	DDD	
		1	J, U		ER0	DG0	
4							NUT AND CONED WASHER, Hex, .375-24
	J400 6681	5	J, U		EPO	DD0	
		6	J, U		EN0,		
					ER0		
5							SCREW
	4886 473AA	1	J, U		EN0	DD0	
		1	J, U		ER0	DDD	
		1	J, U		EPO	DDQ	
		1	J, U		ER0	DG0	
6							SWITCH, Transfer Case Mode
	J813 4473	1	J, U		EN0	DD0	
		1	J, U		EPO	DDQ	
		1	J, U		ER0	DDD	
		1	J, U		ER0	DG0	
7							SEAL, Vacuum Switch
	4338 956	2	J, U		EN0	DD0	
		2	J, U		EN0	DDQ	
		1	J, U		ER0	DDD	
		2	J, U		EPO	DDQ	
8							NUT, M10x1.5

JEEP CHEROKEE (XJ)				
SERIES	LINE	BODY	ENGINE	TRANSMISSION
P=Classic	J=LHD (4WD)	74=4 Dr.(101.4WB)	ENC,EN0=2.5L 4 cyl. Turbo Die	DDD, DDQ=5 spd. Man.
S=Limited	U=RHD (4WD)	72=2 Dr.(101.4WB)	ERH,ER0=4.0L Power Tech I-6	DGS=4 spd. Auto. AISIN
H=Sport	T=LHD (2WD)		EPE,EP0=Magnum 2.5L SMP1	DG0=All Auto/Trans.
L=SE	B=RHD (2WD)			DBB=All Manual Trans.

AR = Use as required - = Non illustrated part # = New this model year

April 5, 2002

Case and Related Parts Command Trac (DHN)  
Figure 231-210



ITEM	PART NUMBER	QTY	LINE	SERIES	ENGINE	TRANS	DESCRIPTION
	6502 337	3	J, U		EN0	DDQ	
		3	J, U			DGD	
9	4720 708	3	J, U		EN0	DDQ	STUD
10							BOLT, Transfer Case
	4210 617	5	J, U		EN0	DD0	
		5	J, U		EP0	DDQ	
		5	J, U		ER0	DDD	
		5	J, U		ER0	DG0	
11							RETAINER, Transfer Case Rear
	4741 243	1	J, U		EN0	DDQ	
	#5017 477AA	1	J, U		EP0	DDQ	
		1	J, U		ER0	DDD	
		1	J, U		ER0	DG0	
12							BOLT
	6500 318	9	J, U		EN0	DDQ	
		9	J, U		EP0	DDQ	
		9	J, U		ER0	DDD	
		9	J, U		ER0	DG0	
13							VENT, Transfer Case
	4796 910	1	J, U		EN0	DDQ	
		1	J, U		EP0	DDQ	
		1	J, U		ER0	DDD	
		1	J, U		ER0	DG0	
14							EXTENSION, Transfer Case
	8350 3156	1	J, U		EN0	DD0	
		1	J, U		EN0	DDQ	
15							SEAL, Output
	4798 117	1	J, U		EP0	DDQ	
		1	J, U		ER0	DDD	
		1	J, U		ER0	DG0	
	4638 904	1	J, U		EN0	DD0	
16	J813 4490	1	J, U		EN0	DDQ	BUSHING, Extension Housing
17							SPRING, Shift Detent
	4638 497	1	J, U		EN0	DDQ	
		1	J, U		EP0	DDQ	
		1	J, U		ER0	DDD	
		1	J, U		ER0	DG0	
18							PLUNGER
	5300 8217	1	J, U		EN0	DDQ	
		1	J, U		EP0	DDQ	
		1	J, U		ER0	DDD	
		1	J, U		ER0	DG0	
19							BOLT, Hex Flange Head

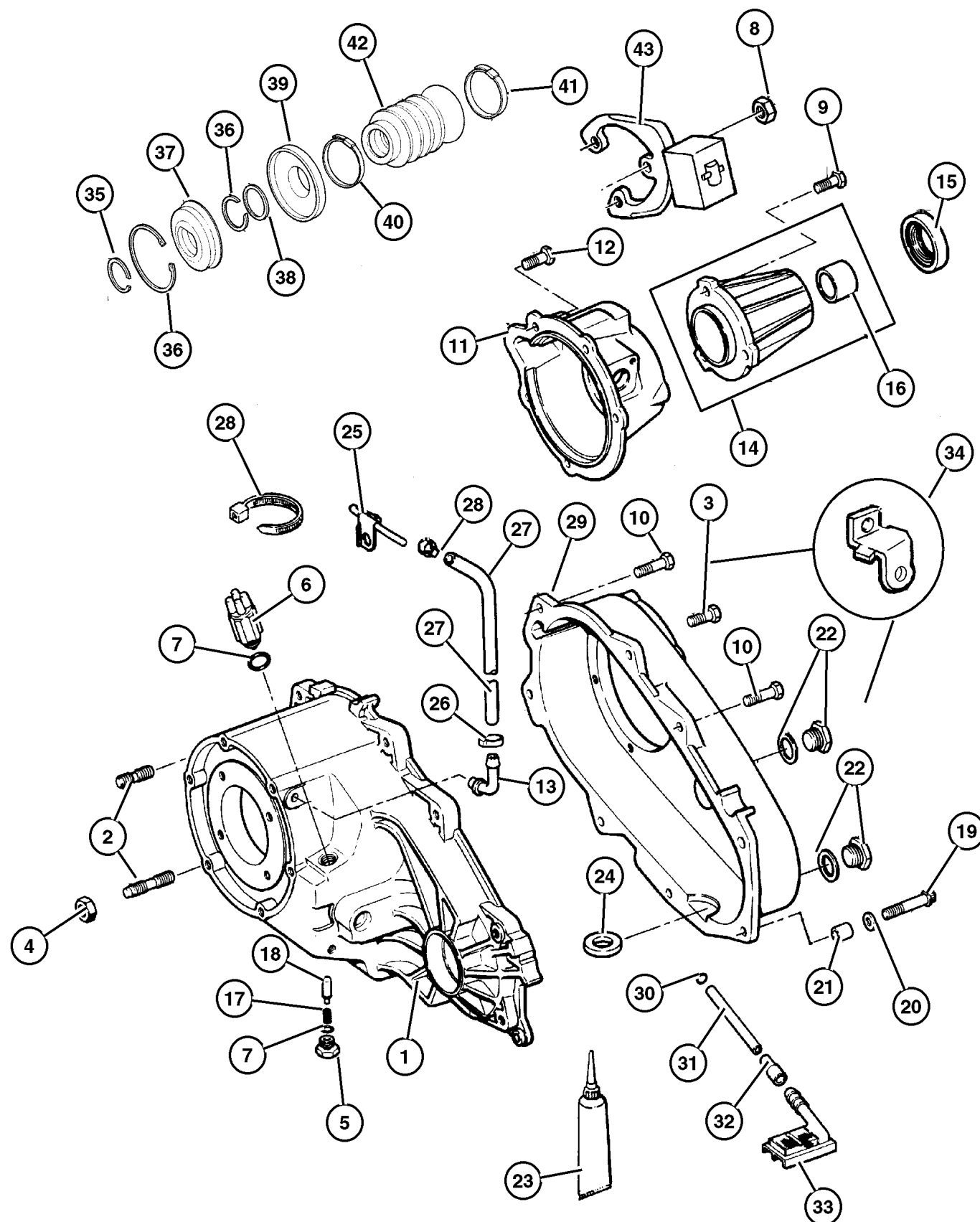
**JEEP CHEROKEE (XJ)**  
 SERIES LINE BODY ENGINE TRANSMISSION  
 P=Classic J=LHD (4WD) 74=4 Dr.(101.4WB) ENC,EN0=2.5L 4 cyl. Turbo Die DDD, DDQ=5 spd. Man.  
 S=Limited U=RHD (4WD) 72=2 Dr.(101.4WB) ERH,ER0=4.0L Power Tech I-6 DGS=4 spd. Auto. AISIN  
 H=Sport T=LHD (2WD) EPE,EP0=Magnum 2.5L SMPI DG0=All Auto/Trans.  
 L=SE B=RHD (2WD) DBB=All Manual Trans.

AR = Use as required - = Non illustrated part # = New this model year

April 5, 2002



Case and Related Parts Command Trac (DHN)  
Figure 231-210

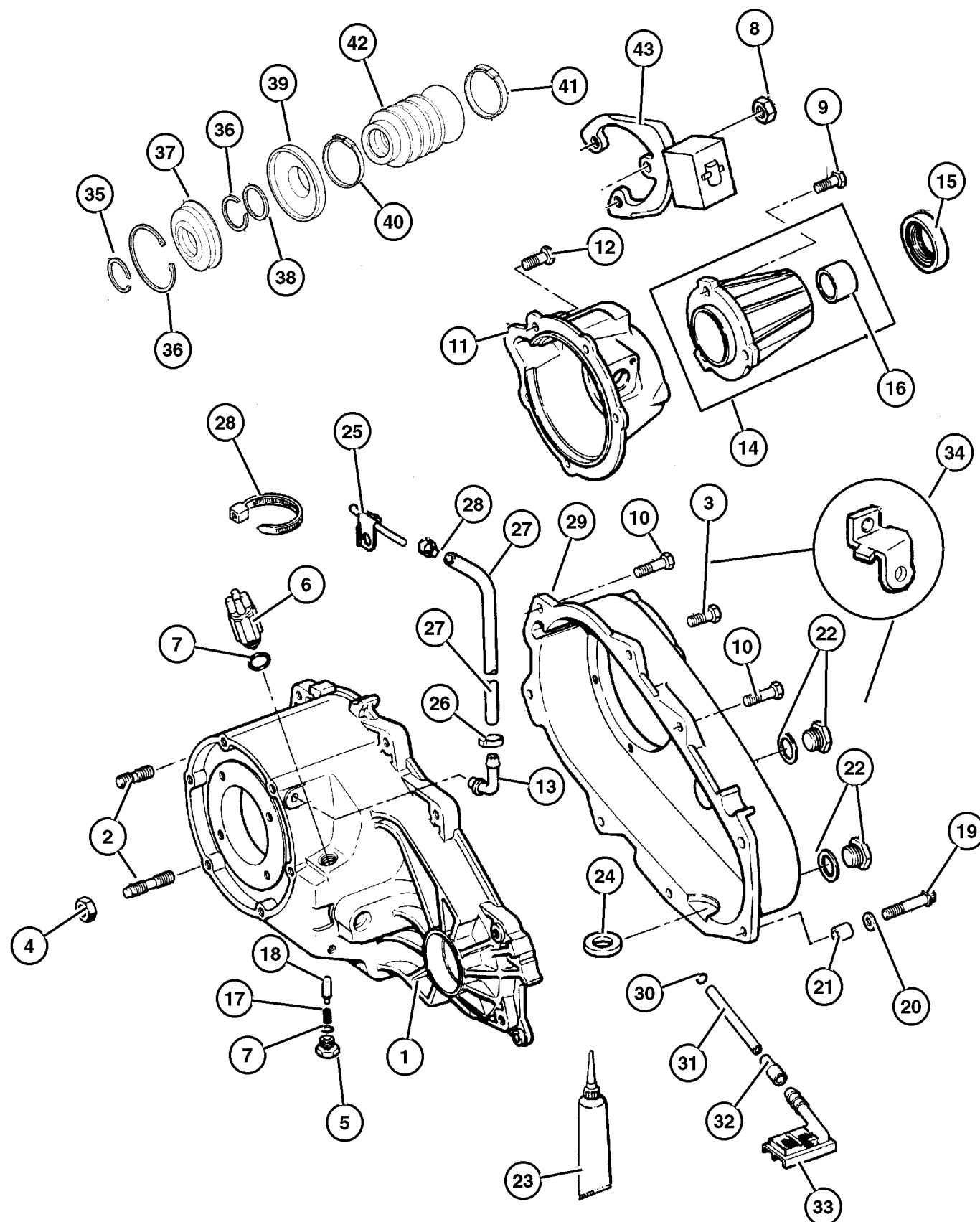


ITEM	PART NUMBER	QTY	LINE	SERIES	ENGINE	TRANS	DESCRIPTION
	4210 614	2	J, U		ENO	DD0	
		2	J, U		ENO	DDQ	
		2	J, U		EPO	DDQ	
		2	J, U		ERO	DDD	
		2	J, U		ERO	DG0	
20							WASHER, Flat
	4210 983	2	J, U		ENO	DDQ	
		2	J, U		EPO	DDQ	
		2	J, U		ERO	DDD	
	4446 487	1	J, U		ERO	DG0	
		1	J, U		EPO	DDQ	
		1	J, U		ERO	DDD	
		1	J, U		ERO	DG0	
21	S243 6163	1	J, U		ENO	DDQ	
							DOWEL, Transfer Case
	4116 310	2	J, U		ENO	DD0	
		2	J, U		ENO	DDQ	
		2	J, U		EPO	DDQ	
		2	J, U		ERO	DDD	
		2	J, U		ERO	DG0	
22							PLUG, Oil Fill
	4856 641	2	J, U		ENO	DDQ	
		2	J, U		EPO	DDQ	
		2	J, U		ERO	DDD	
		2	J, U		ERO	DG0	
23	5010 884AA	1	J, U		ENO	DD0	SEALANT, RTV
24							MAGNET, Transmission
	3681 601	1	J, U		ENO	DDQ	
		1	J, U		EPO	DDQ	
		1	J, U		ERO	DDD	
		1	J, U		ERO	DG0	
25							VENT, Transfer Case
	4796 910	1	J, U		ENO	DDQ	
		1	J, U		EPO	DDQ	
		1	J, U		ERO	DDD	
		1	J, U		ERO	DG0	
26	6502 081	2	J, U				CLAMP, Oil Cooler Line
27	4443 176	1					HOSE, Fuel, .31 I.D. 50 Foot Roll
28	4641 780	1					STRAP, Tie
29							CASE, Transfer Rear
	4886 222AA	1	J, U		ENO	DDQ	
		1	J, U		EPO	DDQ	

**JEEP CHEROKEE (XJ)**  
 SERIES LINE BODY ENGINE TRANSMISSION  
 P=Classic J=LHD (4WD) 74=4 Dr.(101.4WB) ENC,ENO=2.5L 4 cyl. Turbo Die DDD, DDQ=5 spd. Man.  
 S=Limited U=RHD (4WD) 72=2 Dr.(101.4WB) ERH,ER0=4.0L Power Tech I-6 DGS=4 spd. Auto. AISIN  
 H=Sport T=LHD (2WD) EPE,EP0=Magnum 2.5L SMPI DG0=All Auto/Trans.  
 L=SE B=RHD (2WD) DBB=All Manual Trans.

AR = Use as required - = Non illustrated part # = New this model year

Case and Related Parts Command Trac (DHN)  
Figure 231-210



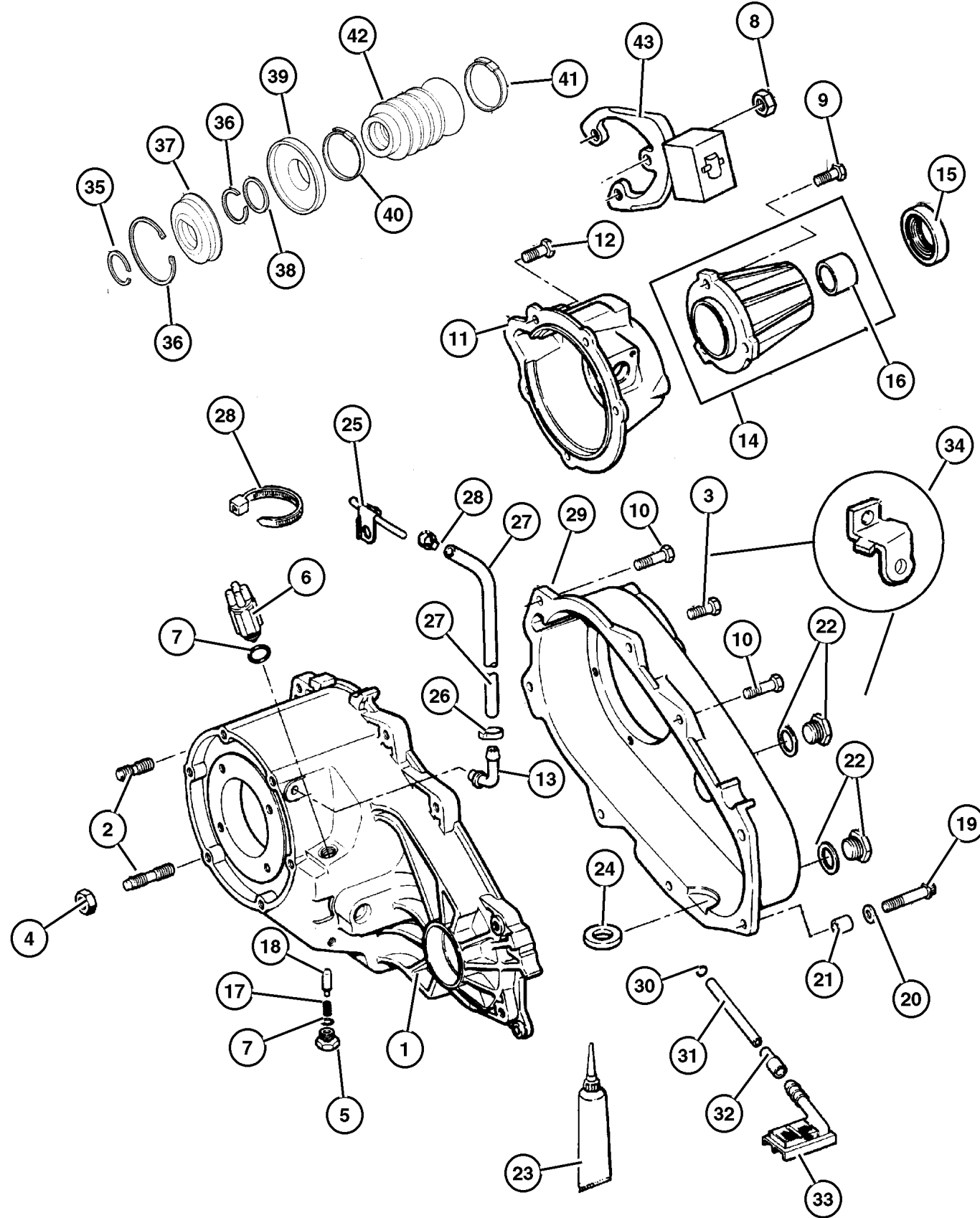
ITEM	PART NUMBER	QTY	LINE	SERIES	ENGINE	TRANS	DESCRIPTION
		1	J, U		ER0	DDD	
		1	J, U		ER0	DG0	
30	4338 942	1	J, U		EN0	DDQ	SEAL, Oil
		1	J, U		EP0	DDQ	
31	4338 941	1	J, U		ER0	DDD	TUBE, Oil Pickup
		1	J, U		ER0	DG0	
		1	J, U		EN0	DDQ	
32	4338 944	1	J, U		EP0	DDQ	CONNECTOR, Oil Tube Pickup
		1	J, U		ER0	DDD	
		1	J, U		ER0	DG0	
33	4338 943	1	J, U		EN0	DDQ	FILTER, Transfer Case Oil
		1	J, U		EP0	DDQ	
		1	J, U		ER0	DDD	
34	5209 8522	1	J, U		ER0	DG0	BRACKET, Tube
		1	J, U		EP0,		
		1	J, U		ER0		
35	4338 933	1	J, U		EN0	DDQ	SNAP RING
		1	J, U		EP0	DDQ	
		1	J, U		ER0	DDD	
		1	J, U		ER0	DG0	
36	J813 4488	1	J, U		EN0	DDQ	SNAP RING
		1	J, U		EP0	DDQ	
		1	J, U		ER0	DDD	
		1	J, U		ER0	DG0	
37	4338 893	1	J, U		EN0	DDQ	SEAL, Output
	4798 117	1	J, U		EP0	DDQ	
		1	J, U		ER0	DDD	
		1	J, U		ER0	DG0	
38	S243 6163	1	J, U		EN0	DD0	WASHER, Flat
39	#5016 615AA	1	J, U		EP0	DDQ	SLINGER, Oil

**JEEP CHEROKEE (XJ)**  
 SERIES LINE BODY ENGINE TRANSMISSION  
 P=Classic J=LHD (4WD) 74=4 Dr.(101.4WB) ENC,EN0=2.5L 4 cyl. Turbo Die DDD, DDQ=5 spd. Man.  
 S=Limited U=RHD (4WD) 72=2 Dr.(101.4WB) ERH,ER0=4.0L Power Tech I-6 DGS=4 spd. Auto. AISIN  
 H=Sport T=LHD (2WD) EPE,EP0=Magnum 2.5L SMP1 DG0=All Auto/Trans.  
 L=SE B=RHD (2WD) DBB=All Manual Trans.

AR = Use as required - = Non illustrated part # = New this model year

April 5, 2002

Case and Related Parts Command Trac (DHN)  
Figure 231-210



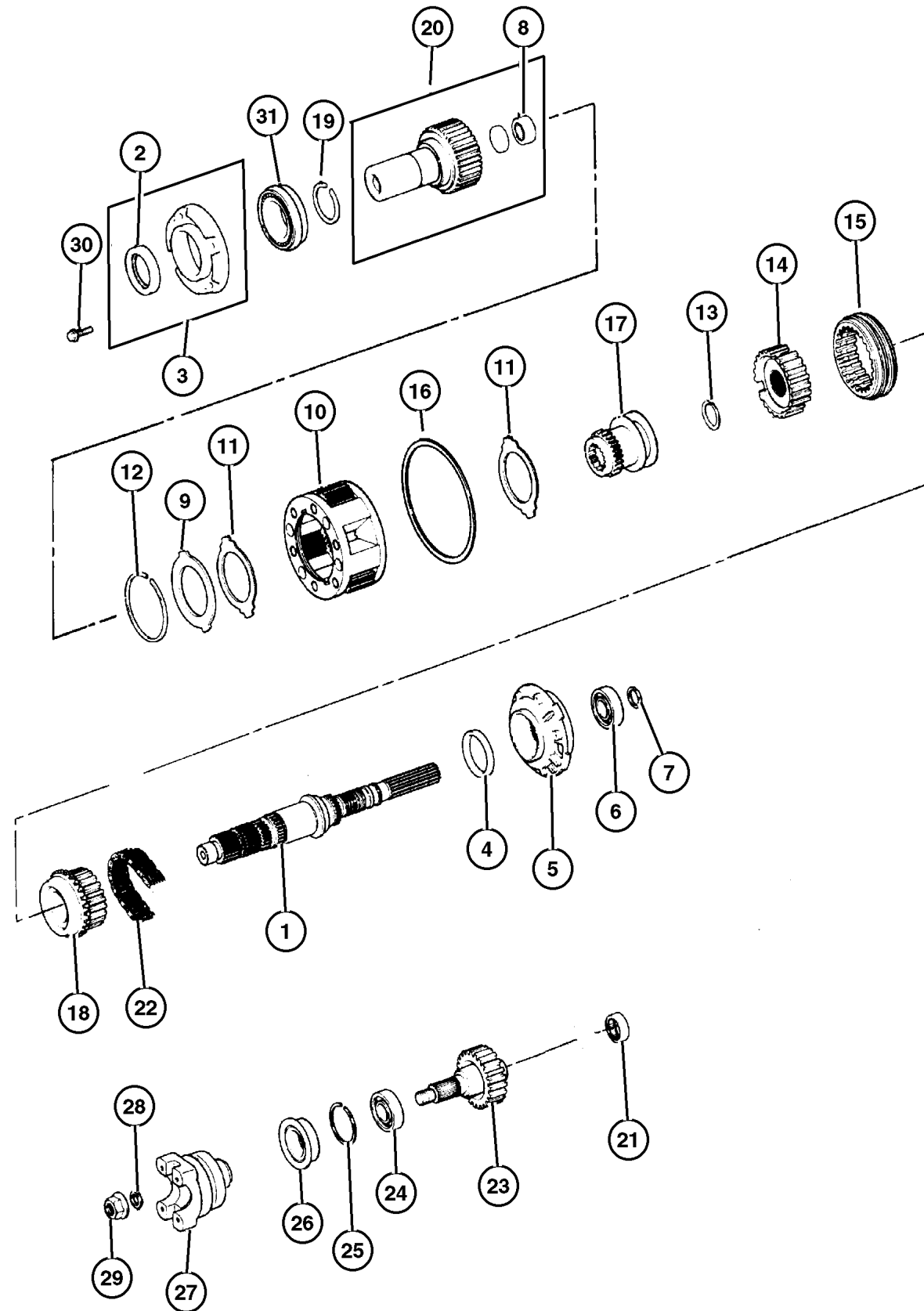
ITEM	PART NUMBER	QTY	LINE	SERIES	ENGINE	TRANS	DESCRIPTION
		1	J, U		ER0	DDD	
40	4798 121	1	J, U		ER0	DG0	CLAMP, Boot
		1	J, U		EP0	DDQ	
		1	J, U		ER0	DDD	
41	4798 122	1	J, U		ER0	DG0	CLAMP, Boot
		1	J, U		EP0	DDQ	
		1	J, U		ER0	DDD	
42	4798 123	1	J, U		ER0	DG0	BOOT, Driveshaft
		1	J, U		EP0	DDQ	
		1	J, U		ER0	DDD	
43	5209 8509	1	J, U		ENC		DAMPER, Transfer Case
	5209 8545	1	J, U			DGD	

JEEP CHEROKEE (XJ)  
 SERIES LINE BODY ENGINE TRANSMISSION  
 P=Classic J=LHD (4WD) 74=4 Dr.(101.4WB) ENC,EN0=2.5L 4 cyl. Turbo Die DDD, DDQ=5 spd. Man.  
 S=Limited U=RHD (4WD) 72=2 Dr.(101.4WB) ERH,ER0=4.0L Power Tech I-6 DGS=4 spd. Auto. AISIN  
 H=Sport T=LHD (2WD) EPE,EP0=Magnum 2.5L SMPI DG0=All Auto/Trans.  
 L=SE B=RHD (2WD) DBB=All Manual Trans.

AR = Use as required - = Non illustrated part # = New this model year

April 5, 2002

**Gear Train Command Trac (DHN)  
Figure 231-410**



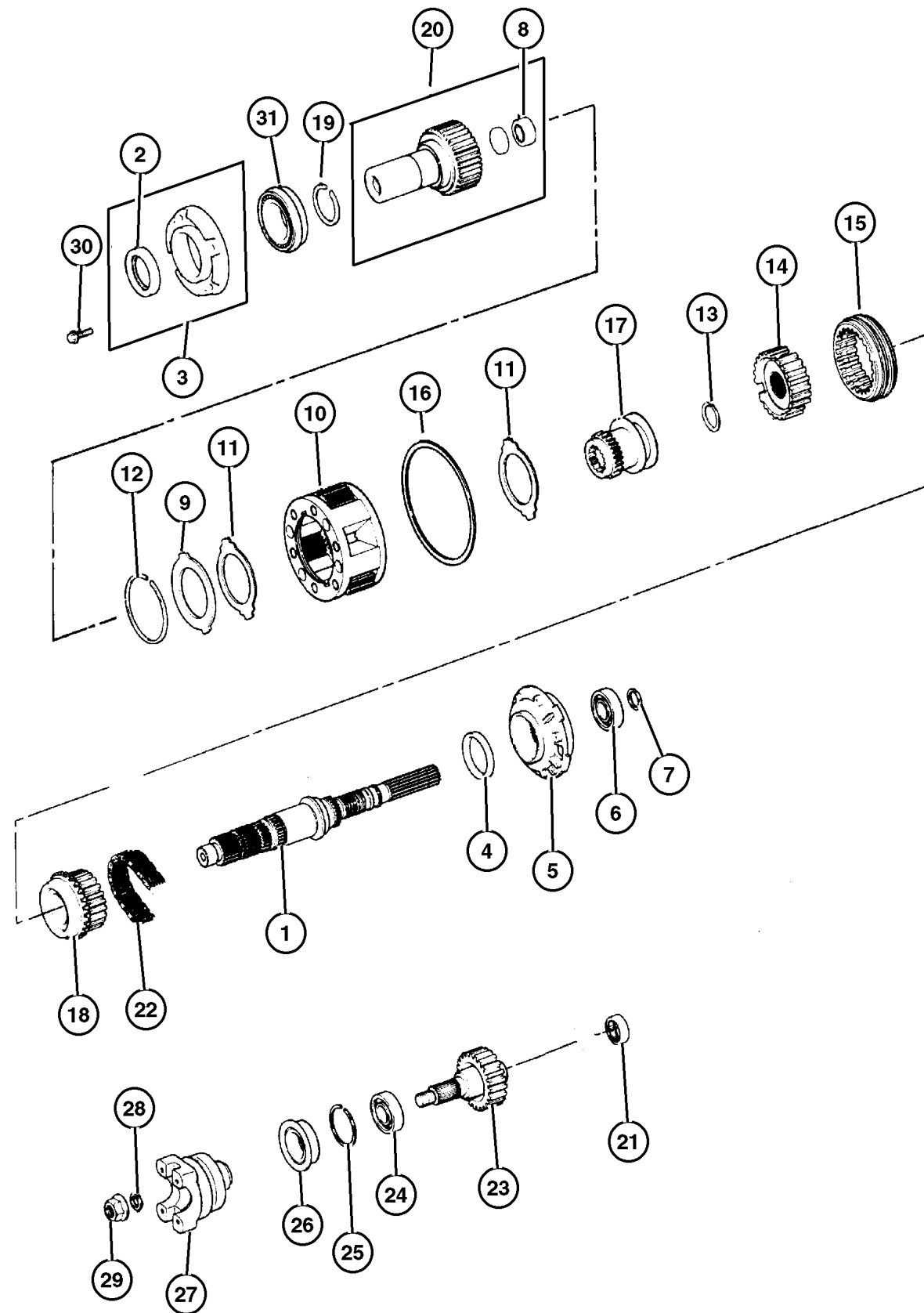
ITEM	PART NUMBER	QTY	LINE	SERIES	ENGINE	TRANS	DESCRIPTION
Notes: nsmission							
EPO= All 2.5L, 4 Cylinder, Gas Engine nsmission							
ER0= All 4.0L., 6 Cylinder, Gas Engine nsmission							
EN0= All 4/5 Cylinder, Turbo Diesel Engine nsmission							
DD0 = All 5 Speed Manual Transmissions nsmission							
DDD = 5 Speed Heavy Duty Manual Transmission nsmission							
DDQ = 5 Speed Manual Transmission nsmission							
DG0 = All Automatic Transmissions nsmission							
1							MAINSHAFT, Transfer Case
	4796 907	1	J, U		EN0	DDQ	
	#5016 630AA	1	J, U		EPO	DDQ	
		1	J, U		ER0	DDD	
2							SEAL, Input Gear
	4167 929	1	J, U		EN0	DDQ	
		1	J, U		EPO	DDQ	
		1	J, U		ER0	DDD	
		1	J, U		ER0	DG0	
3							EXTENSION, Transfer Case
	4338 973	1	J, U		EN0	DDQ	
		1	J, U		EPO	DDQ	
		1	J, U		ER0	DDD	
		1	J, U		ER0	DG0	
4							SEAL, Main Shaft
	4210 603	1	J, U		EN0	DDQ	
		1	J, U		EPO	DDQ	
		1	J, U		ER0	DDD	
		1	J, U		ER0	DG0	
5							PUMP, Transfer Case Oil
	4338 936	1	J, U		EN0	DDQ	
		1	J, U		EPO	DDQ	
		1	J, U		ER0	DDD	
		1	J, U		ER0	DG0	
6							BEARING
	4338 892	2	J, U		EN0	DDQ	
		1	J, U		EPO	DDQ	
		1	J, U		ER0	DDD	
		1	J, U		ER0	DG0	
7							SNAP RING
	J813 4488	1	J, U		EN0	DDQ	
		1	J, U		EPO	DDQ	
		1	J, U		ER0	DDD	
		1	J, U		ER0	DG0	
8							BEARING, Input Shaft

JEEP CHEROKEE (XJ)				
SERIES	LINE	BODY	ENGINE	TRANSMISSION
P=Classic	J=LHD (4WD)	74=4 Dr.(101.4WB)	ENC,EN0=2.5L 4 cyl. Turbo Die	DDD, DDQ=5 spd. Man.
S=Limited	U=RHD (4WD)	72=2 Dr.(101.4WB)	ERH,ER0=4.0L Power Tech I-6	DGS=4 spd. Auto. AISIN
H=Sport	T=LHD (2WD)		EPE,EPO=Magnum 2.5L SMPI	DG0=All Auto/Trans.
L=SE	B=RHD (2WD)			DBB=All Manual Trans.

AR = Use as required - = Non illustrated part # = New this model year

April 5, 2002

**Gear Train Command Trac (DHN)  
Figure 231-410**



ITEM	PART NUMBER	QTY	LINE	SERIES	ENGINE	TRANS	DESCRIPTION
	8350 3507	1	J, U		EN0	DDQ	
		1	J, U		EP0	DDQ	
		1	J, U		ER0	DDD	
		1	J, U		ER0	DG0	
9							RING
	4338 909	1	J, U		EN0	DDQ	
		1	J, U		EP0	DDQ	
		1	J, U		ER0	DDD	
		1	J, U		ER0	DG0	
10							PLANETARY, Transfer Case
	4796 903	1	J, U		EN0	DDQ	
		1	J, U		EP0	DDQ	
		1	J, U		ER0	DDD	
		1	J, U		ER0	DG0	
11							THRUST WASHER, Planetary Carrier
	4338 908	2	J, U		EN0	DDQ	
		2	J, U		EP0	DDQ	
		2	J, U		ER0	DDD	
		2	J, U		ER0	DG0	
12							SNAP RING
	4338 910	1	J, U		EN0	DDQ	
		1	J, U		EP0	DDQ	
		1	J, U		ER0	DDD	
		1	J, U		ER0	DG0	
13							SNAP RING
	4338 933	1	J, U		EN0	DDQ	
		1	J, U		EP0	DDQ	
		1	J, U		ER0	DDD	
		1	J, U		ER0	DG0	
14							HUB, Synchronizer Mode
	4741 240	1	J, U		EN0	DDQ	
		1	J, U		EP0	DDQ	
		1	J, U		ER0	DDD	
		1	J, U		ER0	DG0	
15							SLEEVE, Mode Synchronizer
	4796 909	1	J, U		EN0	DDQ	
		1	J, U		EP0	DDQ	
		1	J, U		ER0	DDD	
		1	J, U		ER0	DG0	
16							SNAP RING, Annulus Gear
	4219 065	1	J, U		EN0	DDQ	
		1	J, U		EP0	DDQ	

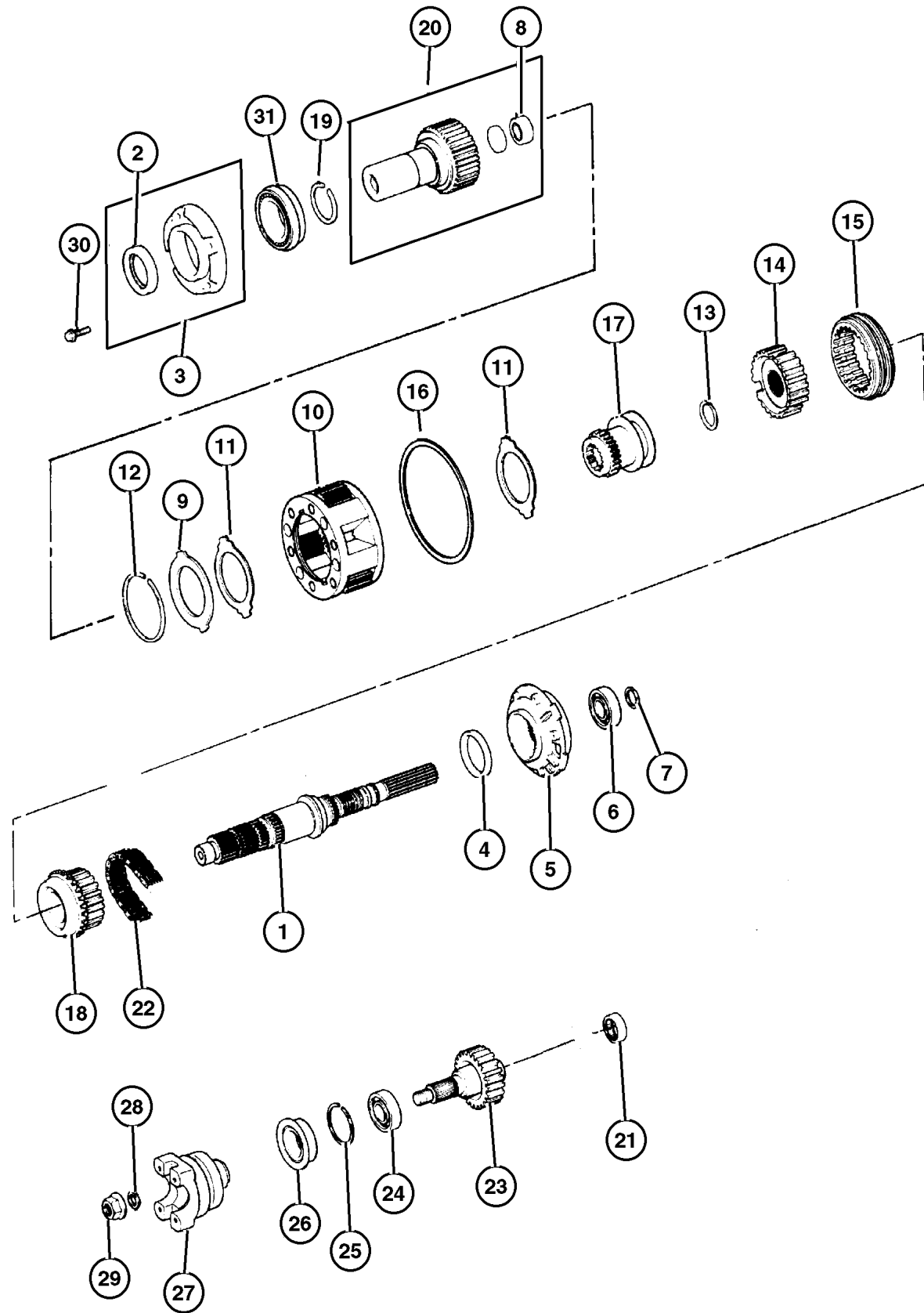
**JEEP CHEROKEE (XJ)**

SERIES	LINE	BODY	ENGINE	TRANSMISSION
P=Classic	J=LHD (4WD)	74=4 Dr.(101.4WB)	ENC,EN0=2.5L 4 cyl. Turbo Die	DDD, DDQ=5 spd. Man.
S=Limited	U=RHD (4WD)	72=2 Dr.(101.4WB)	ERH,ER0=4.0L Power Tech I-6	DGS=4 spd. Auto. AISIN
H=Sport	T=LHD (2WD)		EPE,EP0=Magnum 2.5L SMPI	DG0=All Auto/Trans.
L=SE	B=RHD (2WD)			DBB=All Manual Trans.

AR = Use as required - = Non illustrated part # = New this model year

April 5, 2002

**Gear Train Command Trac (DHN)  
Figure 231-410**



ITEM	PART NUMBER	QTY	LINE	SERIES	ENGINE	TRANS	DESCRIPTION
		1	J, U		ER0	DDD	
17	4796 906	1	J, U		ER0	DG0	SLEEVE, Shift Range
18	4796 908	1	J, U		EN0	DDQ	SPROCKET, Transfer Case
		1	J, U		EN0	DDQ	
		1	J, U		ER0	DDD	
		1	J, U		ER0	DG0	
19							SNAP RING
	3821 558	1	J, U		EN0	DDQ	
		1	J, U		EP0	DDQ	
		1	J, U		ER0	DDD	
		1	J, U		ER0	DG0	
20							GEAR, Input
	4796 904	1	J, U		EN0	DDQ	
	4796 956	1	J, U		EP0	DDQ	
	4798 113	1	J, U		ER0	DDD	
		1	J, U		ER0	DG0	
21							BEARING, Output Shaft
	4269 189	1	J, U		EN0	DDQ	
		1	J, U		EP0	DDQ	
		1	J, U		ER0	DDD	
		1	J, U		ER0	DG0	
22							CHAIN, Transfer Case
	4338 935	1	J, U		EN0	DDQ	
		1	J, U		EP0	DDQ	
		1	J, U		ER0	DDD	
		1	J, U		ER0	DG0	
23							OUTPUT SHAFT, Transfer Case
	4338 934	1	J, U		EN0	DDQ	
		1	J, U		EP0	DDQ	
		1	J, U		ER0	DDD	
		1	J, U		ER0	DG0	
24							BEARING
	4338 892	1	J, U		EP0	DDQ	
		1	J, U		ER0	DDD	
		1	J, U		ER0	DG0	
25							SNAP RING, Bearing
	4338 894	1	J, U		EN0	DDQ	
		1	J, U		EP0	DDQ	
		1	J, U		ER0	DDD	
		1	J, U		ER0	DG0	

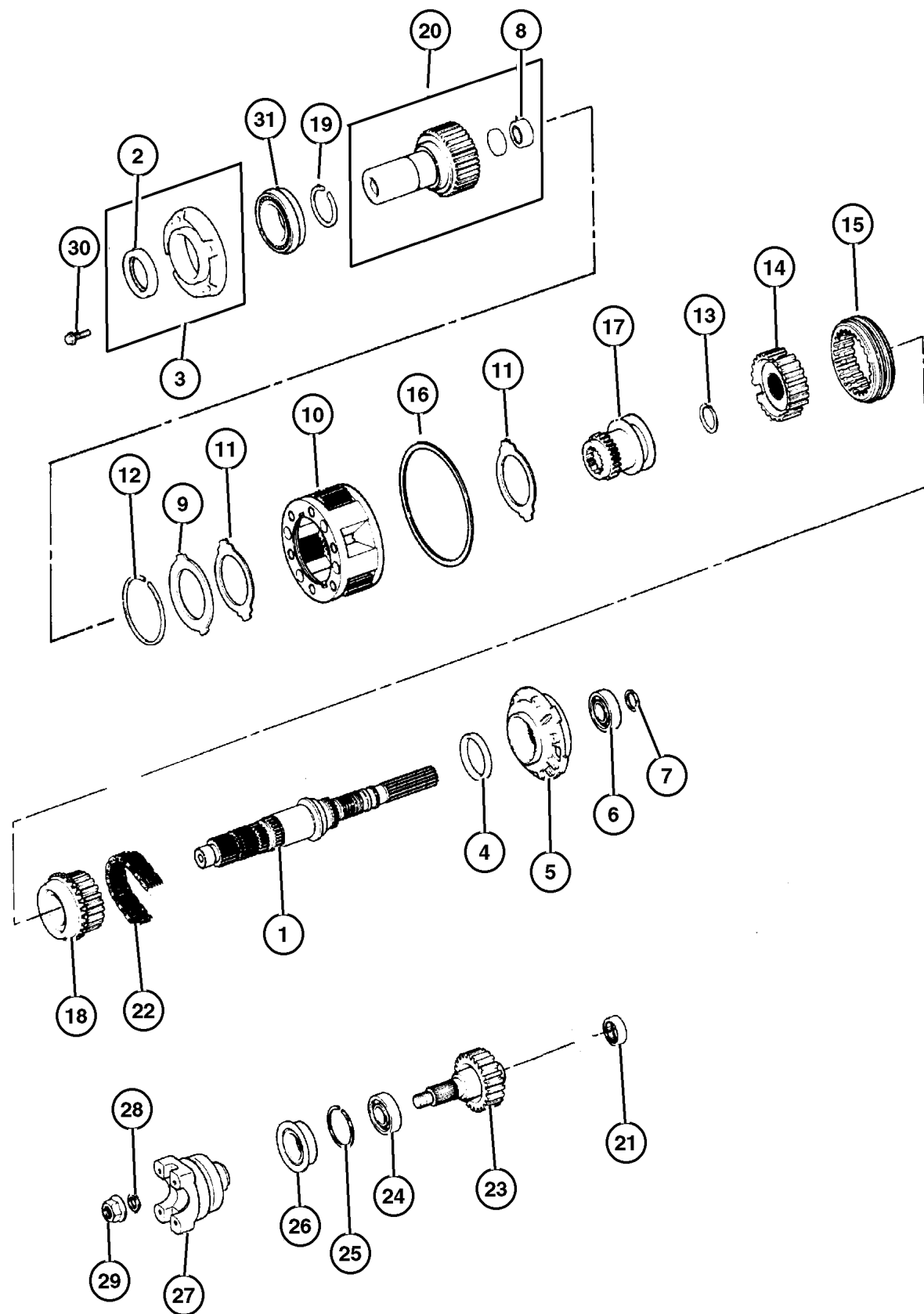
**JEEP CHEROKEE (XJ)**

SERIES	LINE	BODY	ENGINE	TRANSMISSION
P=Classic	J=LHD (4WD)	74=4 Dr.(101.4WB)	ENC,EN0=2.5L 4 cyl. Turbo Die	DDD, DDQ=5 spd. Man.
S=Limited	U=RHD (4WD)	72=2 Dr.(101.4WB)	ERH,ER0=4.0L Power Tech I-6	DGS=4 spd. Auto. AISIN
H=Sport	T=LHD (2WD)		EPE,EP0=Magnum 2.5L SMPI	DG0=All Auto/Trans.
L=SE	B=RHD (2WD)			DBB=All Manual Trans.

AR = Use as required - = Non illustrated part # = New this model year

April 5, 2002

**Gear Train Command Trac (DHN)  
Figure 231-410**



ITEM	PART NUMBER	QTY	LINE	SERIES	ENGINE	TRANS	DESCRIPTION
26	4338 893	1	J, U		EN0	DDQ	SEAL, Output
27	4446 494	1	J, U		EN0	DDQ	YOKE, Transfer Case Output
	4798 120	1	J, U		EP0	DDQ	
		1	J, U		ER0	DDD	
28		1	J, U		ER0	DG0	WASHER, Flat
	4446 487	1	J, U		EN0	DD0	
		1	J, U		EP0	DDQ	
29		1	J, U		ER0	DDD	NUT, Hex Flange
	4446 488	1	J, U		EN0	DDQ	
		1	J, U		EP0	DDQ	
		1	J, U		ER0	DDD	
30		1	J, U		ER0	DG0	BOLT
	6500 318	9	J, U		EN0	DDQ	
		9	J, U		EP0	DDQ	
		9	J, U		ER0	DDD	
		9	J, U		ER0	DG0	
31							BEARING, Input Gear
	4746 155	1	J, U		EN0	DDQ	
		1	J, U		EP0	DDQ	
		1	J, U		ER0	DDD	
		1	J, U		ER0	DG0	

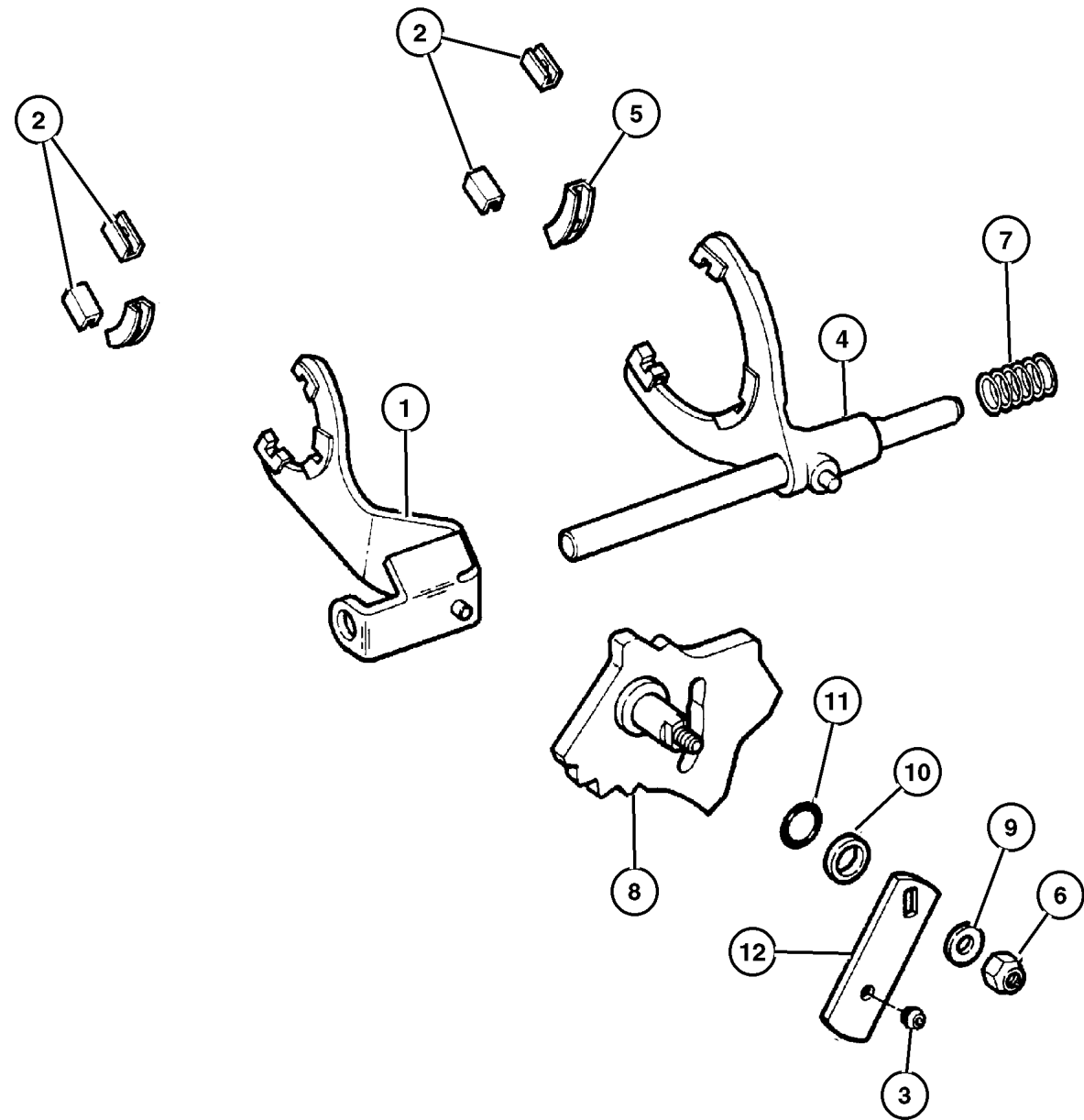
**JEEP CHEROKEE (XJ)**

SERIES	LINE	BODY	ENGINE	TRANSMISSION
P=Classic	J=LHD (4WD)	74=4 Dr.(101.4WB)	ENC,EN0=2.5L 4 cyl. Turbo Die	DDD, DDQ=5 spd. Man.
S=Limited	U=RHD (4WD)	72=2 Dr.(101.4WB)	ERH,ER0=4.0L Power Tech I-6	DGS=4 spd. Auto. AISIN
H=Sport	T=LHD (2WD)		EPE,EP0=Magnum 2.5L SMPI	DG0=All Auto/Trans.
L=SE	B=RHD (2WD)			DBB=All Manual Trans.

AR = Use as required - = Non illustrated part # = New this model year

April 5, 2002

Fork and Rails Command Trac (DHN)  
Figure 231-910



ITEM	PART NUMBER	QTY	LINE	SERIES	ENGINE	TRANS	DESCRIPTION
Notes: nsmission							
EPO= All 2.5L, 4 Cylinder, Gas Engine nsmission							
ER0= All 4.0L., 6 Cylinder, Gas Engine nsmission							
EN0= All 4/5 Cylinder, Turbo Diesel Engine nsmission							
DD0 = All 5 Speed Manual Transmissions nsmission							
DDD = 5 Speed Heavy Duty Manual Transmission nsmission							
DDQ = 5 Speed Manual Transmission nsmission							
DG0 = All Automatic Transmissions nsmission							
1							FORK, Range
	4638 913	1	J, U		EPO	DDQ	
		1	J, U		ER0	DG0	
2							PAD, Shift Fork
	4167 969	2	J, U		EN0	DDQ	
		2	J, U		EPO	DDQ	
		2	J, U		ER0	DDD	
		2	J, U		ER0	DG0	
3							BUSHING, Shift Lever
	5300 4810	1	J, U		EN0	DDQ	
		1	J, U		EPO	DDQ	
		1	J, U		ER0	DDD	
		1	J, U		ER0	DG0	
4							FORK, Transfer Case Mode Shift
	4741 237	1	J, U		EN0	DDQ	
		1	J, U		EPO	DDQ	
		1	J, U		ER0	DDD	
		1	J, U		ER0	DG0	
5							PAD, Shift Fork 52098913
	4219 073	1	J, U		EN0	DDQ	
		1	J, U		EPO	DDQ	
		1	J, U		ER0	DDD	
		1	J, U		ER0	DG0	
6							NUT, Hex Flange Lock
	0152 345	1	J, U		EN0	DDQ	
		1	J, U		EPO	DDQ	
		1	J, U		ER0	DDD	
		1	J, U		ER0	DG0	
7							SPRING, Mode Shift Rail
	4338 925	1	J, U		EN0	DDQ	
		1	J, U		EPO	DDQ	
		1	J, U		ER0	DDD	
		1	J, U		ER0	DG0	
8							SECTOR, Transfer Case

JEEP CHEROKEE (XJ)

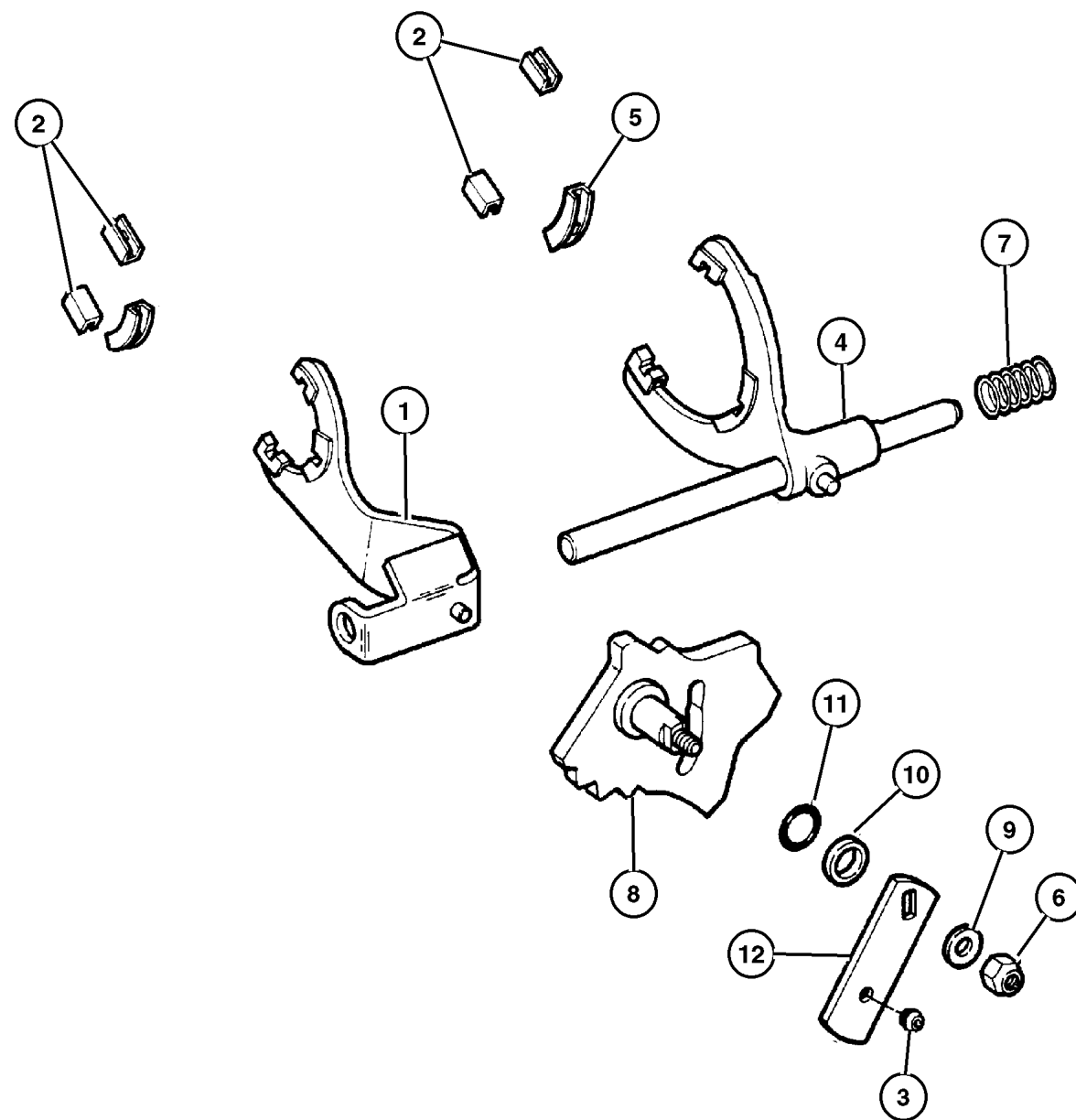
SERIES	LINE	BODY	ENGINE	TRANSMISSION
P=Classic	J=LHD (4WD)	74=4 Dr.(101.4WB)	ENC,EN0=2.5L 4 cyl. Turbo Die	DDD, DDQ=5 spd. Man.
S=Limited	U=RHD (4WD)	72=2 Dr.(101.4WB)	ERH,ER0=4.0L Power Tech I-6	DGS=4 spd. Auto. AISIN
H=Sport	T=LHD (2WD)		EPE,EP0=Magnum 2.5L SMPI	DG0=All Auto/Trans.
L=SE	B=RHD (2WD)			DBB=All Manual Trans.

AR = Use as required - = Non illustrated part # = New this model year

April 5, 2002



Fork and Rails Command Trac (DHN)  
Figure 231-910



ITEM	PART NUMBER	QTY	LINE	SERIES	ENGINE	TRANS	DESCRIPTION
	4638 845	1	J, U		EN0	DDQ	
		1	J, U		EP0	DDQ	
		1	J, U		ER0	DDD	
		1	J, U		ER0	DG0	
9							WASHER, Flat
	S243 6163	1	J, U		ER0		
		1	J, U		EP0	DDQ	
		1	J, U		EN0	DDQ	
10							RETAINER, Rear Clutch
	4167 964	1	J, U		EN0	DDQ	52098913
		1	J, U		EP0	DDQ	
		1	J, U		ER0	DDD	
		1	J, U		ER0	DG0	
11							SEAL, O-Ring
	4167 963	1	J, U		EN0	DDQ	
		1	J, U		EP0	DDQ	
		1	J, U		ER0	DDD	
		1	J, U		ER0	DG0	
12							LEVER, Selector
	4897 185AA	1	J, U		EN0	DDQ	52098913
		1	J, U		EP0	DDQ	
		1	J, U		ER0	DDD	
		1	J, U		ER0	DG0	

JEEP CHEROKEE (XJ)

SERIES	LINE	BODY	ENGINE	TRANSMISSION
P=Classic	J=LHD (4WD)	74=4 Dr.(101.4WB)	ENC,EN0=2.5L 4 cyl. Turbo Die	DDD, DDQ=5 spd. Man.
S=Limited	U=RHD (4WD)	72=2 Dr.(101.4WB)	ERH,ER0=4.0L Power Tech I-6	DGS=4 spd. Auto. AISIN
H=Sport	T=LHD (2WD)		EPE,EP0=Magnum 2.5L SMPI	DG0=All Auto/Trans.
L=SE	B=RHD (2WD)			DBB=All Manual Trans.

AR = Use as required - = Non illustrated part # = New this model year

April 5, 2002

**Gearshift Controls Command Trac (DHN)  
Figure 231-1220**

ITEM	PART NUMBER	QTY	LINE	SERIES	ENGINE	TRANS	DESCRIPTION
------	-------------	-----	------	--------	--------	-------	-------------

Notes: nsmission

- EPO= All 2.5L, 4 Cylinder, Gas Engine nsmission
- ER0= All 4.0L., 6 Cylinder, Gas Engine nsmission
- ENC= 2.5L 4 Cylinder Turbo Diesel Engine nsmission
- DD0 = All 5 Speed Manual Transmissions nsmission
- DDD = 5 Speed Heavy Duty Manual Transmission nsmission
- DDQ = 5 Speed Manual Transmission nsmission
- DG0 = All Automatic Transmissions nsmission

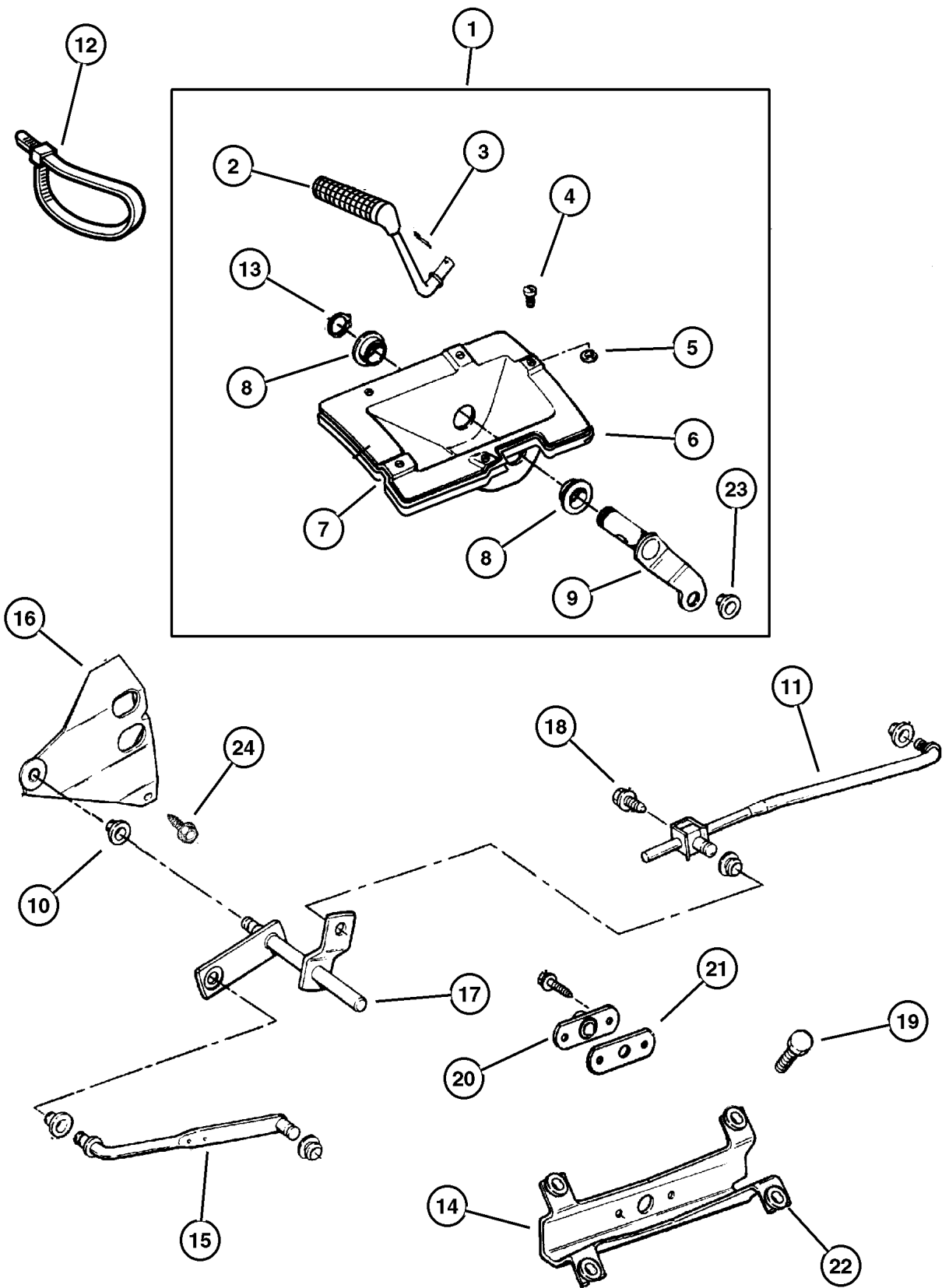
1							SHIFTER, Transfer Case
	52104 100AC	1	J				
	52104 101AC	1	U				
2							LEVER, Transfer Case Shifter
	5207 9256	1	J				
		1	U				
3							PIN, Cotter
	J400 6723	1	U				
		1	J				
4							FASTENER, Push On
	5207 7671	1	J				
		1	U				
5							NUT, Push, M5
	6100 839	2	U				
		2	J				
6							BOOT, Transfer Case Lever
	5210 4019	1	U				
		1	J				
7							HOUSING, Shift Lever
	5300 1284	1	U				
		1	J				
8							BUSHING, Shift Control
	5300 0639	2	U				
		2	J				
9							LEVER, Transfer Case
	53005 150AC	1	U				
		1	J				
10							BUSHING, Shift Lever
	5300 4810	1	J, U		ENC	DBB	
		1	J, U		ER0	DDQ	
		1	J, U		EPO		
11							ROD, Gear Shift Control, Transfer Case
	5210 4073	1	J, U		EPO		
		1	J, U		ER0	DG0	
12							STRAP, Retaining

**JEEP CHEROKEE (XJ)**

SERIES	LINE	BODY	ENGINE	TRANSMISSION
P=Classic	J=LHD (4WD)	74=4 Dr.(101.4WB)	ENC,EN0=2.5L 4 cyl. Turbo Die	DDD, DDQ=5 spd. Man.
S=Limited	U=RHD (4WD)	72=2 Dr.(101.4WB)	ERH,ER0=4.0L Power Tech I-6	DGS=4 spd. Auto. AISIN
H=Sport	T=LHD (2WD)		EPE,EPO=Magnum 2.5L SMPI	DG0=All Auto/Trans.
L=SE	B=RHD (2WD)			DBB=All Manual Trans.

AR = Use as required - = Non illustrated part # = New this model year

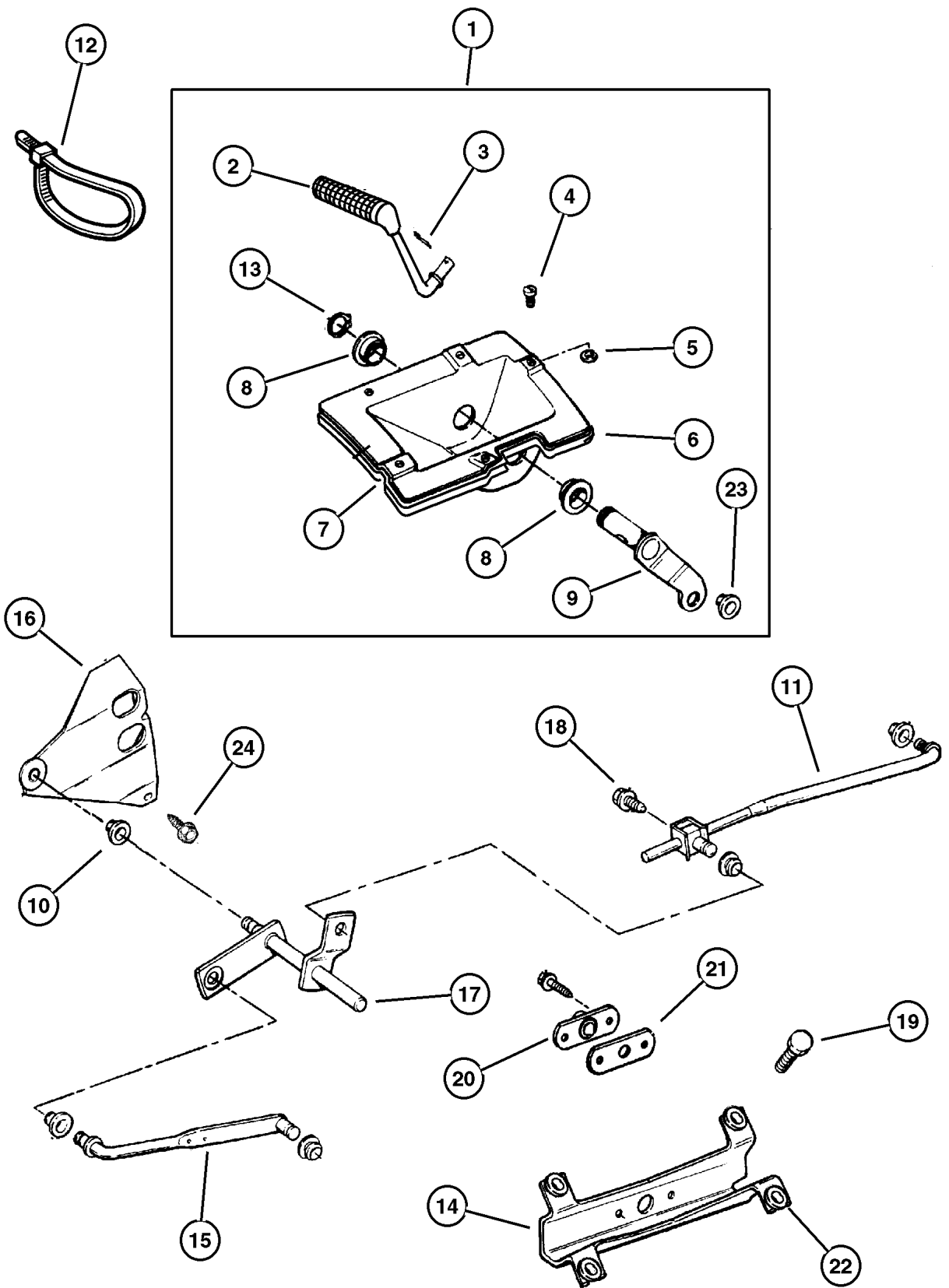
April 5, 2002



**Gearshift Controls Command Trac (DHN)  
Figure 231-1220**

ITEM	PART NUMBER	QTY	LINE	SERIES	ENGINE	TRANS	DESCRIPTION
	J369 3058	1	U				
		1	J				
13	1150 5389	1	J				SNAP RING
		1	U				
14	52104 017AB	1	J, U		EPO		BRACKET, Torque Shaft
		1	J, U		ERO	DG0	
	52104 018AB	1	J, U		ENC,	DDQ	
					ERO		
15	5300 4941	1	J, U		EPO		ROD, Gear Shift Control, Transfer Case
	5300 4942	1	J, U		ERO	DG0	
	5300 5448	1	J, U		ERO	DDQ	
16	5207 8605	1	J, U		ENC	DBB	BRACKET, Torque Shaft
	5300 5069	1	J, U		EPO		
	53005 071AB	1	J, U		ERO	DG0	
17	5207 8541	1	J, U		ENC	DBB	TORQUE SHAFT, Transfer Case
	5300 5151	1	J, U		EPO		
	5300 5552	1	J, U		ERO	DBB	
18	J400 6036	1	J, U				BOLT, Hex Head, .312-18x.50
19	6503 811	4	J, U				BOLT, Hex Head, M6x1.00x20.00
20							BEARING, Transfer Case Shift
	5207 8134	1	J, U		ENC,	DDQ	
		1	J, U		ERO		
		1	J, U		EPO		
		1	J, U		ERO	DG0	
21	5300 5154	1	J, U		ENC,	DDQ	GASKET, Gearshift Control Rod
		1	J, U		ERO		
		1	J, U		EPO		
		1	J, U		ERO	DG0	
22	5210 4014	4	J, U		ENC,	DDQ	GROMMET
		4	J, U		ERO		
		4	J, U		EPO		
		4	J, U		ERO	DG0	
		4	J, U		ENC,	DDD	
					ERO		
23							GROMMET, Control Rod Front

**JEEP CHEROKEE (XJ)**  
 SERIES LINE BODY ENGINE TRANSMISSION  
 P=Classic J=LHD (4WD) 74=4 Dr.(101.4WB) ENC,EN0=2.5L 4 cyl. Turbo Die DDD, DDQ=5 spd. Man.  
 S=Limited U=RHD (4WD) 72=2 Dr.(101.4WB) ERH,ER0=4.0L Power Tech I-6 DGS=4 spd. Auto. AISIN  
 H=Sport T=LHD (2WD) EPE,EP0=Magnum 2.5L SMPI DG0=All Auto/Trans.  
 L=SE B=RHD (2WD) DBB=All Manual Trans.



AR = Use as required - = Non illustrated part # = New this model year



# Group – 242

## Transfer Case Model 242

### GROUP 242 - Transfer Case Model 242

Illustration Title

Group-Fig. No.

#### Transfer Case Assembly

Transfer Case Select Trac (DHP) ..... Fig. 242-110

#### Case and Related Parts

Case & Related Parts Select Trac (DHP) ..... Fig. 242-210

#### Gear Train

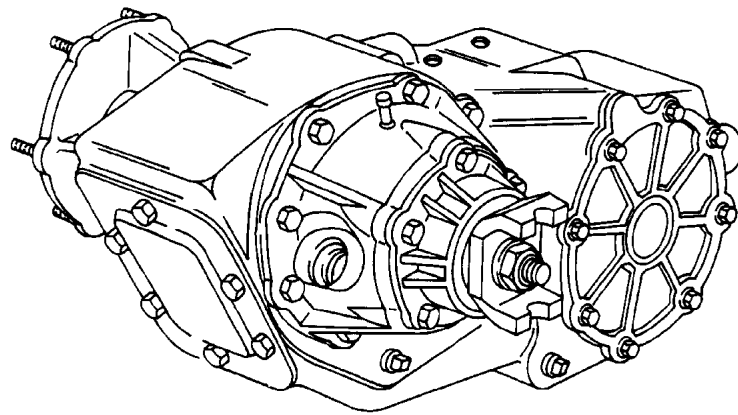
Gear Train Select Trac (DHP) ..... Fig. 242-410

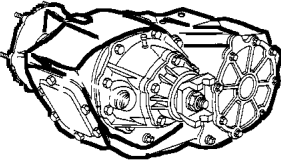
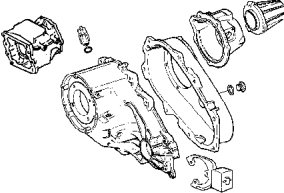
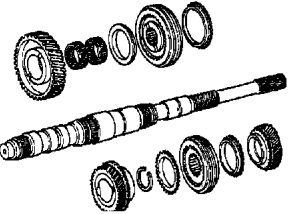
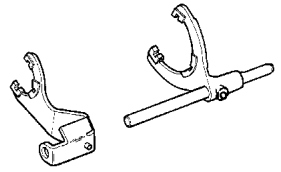
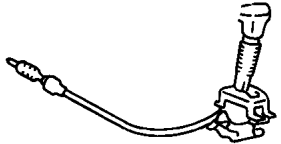
#### Fork and Rails

Fork and Rails Select Trac (DHP) ..... Fig. 242-910

#### Gearshift Controls

Gearshift Controls Select Trac (DHP) ..... Fig. 242-1210



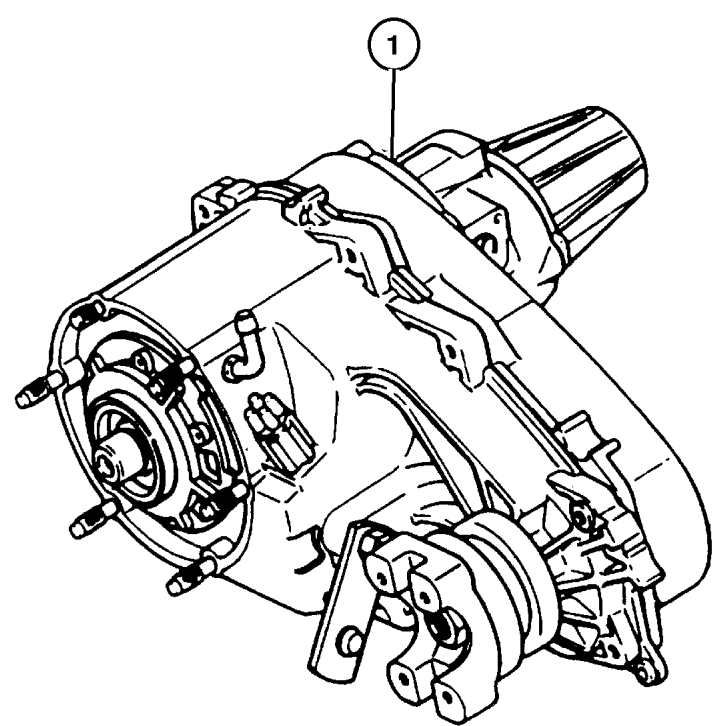
<p><b>242-100</b> Transfer Case Assembly</p> 	<p><b>242-200</b> Case and Related Parts</p> 	<p><b>242-400</b> Gear Train</p> 	<p><b>242-900</b> Fork and Rails</p> 
<p><b>242-1200</b> Gearshift Controls</p> 			

**Transfer Case Select Trac (DHP)  
Figure 242-110**

ITEM	PART NUMBER	QTY	LINE	SERIES	ENGINE	TRANS	DESCRIPTION
------	-------------	-----	------	--------	--------	-------	-------------

Notes: nsmission  
 ER0 = All 4.0L 6 Cylinder Gas Engine nsmission  
 DG0 = All Automatic Transmissions nsmission

1							TRANSFER CASE, NP242
	#52098 899AC	1	J, U		ER0	DG0	Without police Group
	#52111 083AC	1	J, U		ER0	DG0	With Police Group



JEEP CHEROKEE (XJ)				
SERIES	LINE	BODY	ENGINE	TRANSMISSION
P=Classic	J=LHD (4WD)	74=4 Dr.(101.4WB)	ENC,EN0=2.5L 4 cyl. Turbo Die	DDD, DDQ=5 spd. Man.
S=Limited	U=RHD (4WD)	72=2 Dr.(101.4WB)	ERH,ER0=4.0L Power Tech I-6	DGS=4 spd. Auto. AISIN
H=Sport	T=LHD (2WD)		EPE,EP0=Magnum 2.5L SMPI	DG0=All Auto/Trans.
L=SE	B=RHD (2WD)			DBB=All Manual Trans.

AR = Use as required - = Non illustrated part # = New this model year

**Case & Related Parts Select Trac (DHP)  
Figure 242-210**

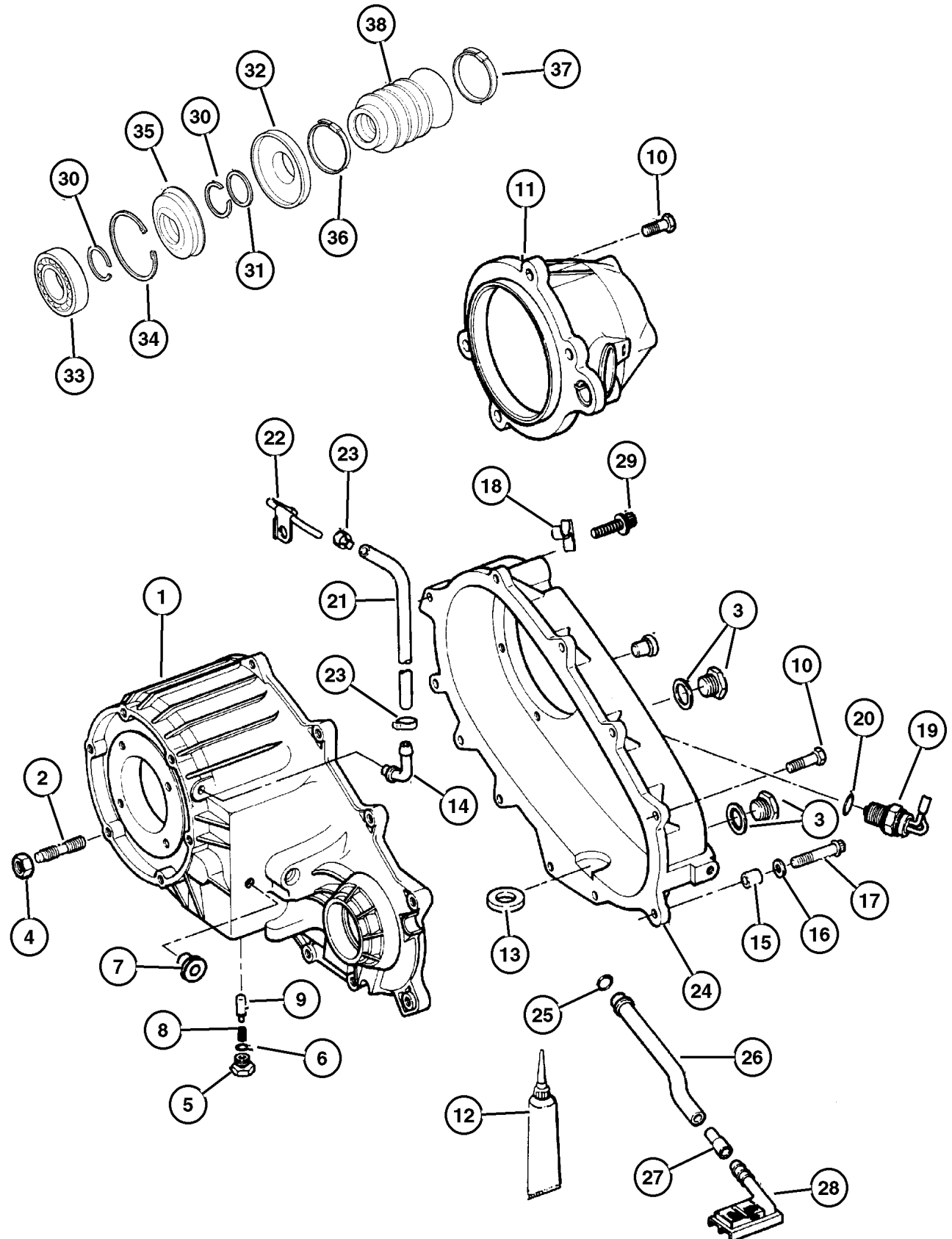
ITEM	PART NUMBER	QTY	LINE	SERIES	ENGINE	TRANS	DESCRIPTION
Notes: nsmission							
EPO= All 2.5L, 4 Cylinder, Gas Engine nsmission							
ER0= All 4L., 6 Cylinder, Gas Engine nsmission							
ENO= All 4/5 Cylinder, Turbo Diesel Engine nsmission							
DDQ = 5 Speed Manual Transmission nsmission							
DG0 = All Automatic Transmissions nsmission							
1	4856 389	1	J, U		ER0	DG0	CASE, Transfer Front
2	4505 365	6	J, U		ER0	DG0	STUD
3	4856 641	2	J, U		ER0	DG0	PLUG, Oil Fill
4							NUT AND CONED WASHER, Hex, .375-24
	J400 6681	5	J, U		EPO	DD0	
		6	J, U		ENO, ER0		
5	4886 473AA	1	J, U		ER0	DG0	SCREW
6	4338 956	2	J, U		ER0	DG0	SEAL, Vacuum Switch
7	0015 105	1	J, U		ER0	DG0	PLUG, Transmission Case
8	4638 497	1	J, U		ER0	DG0	SPRING, Shift Detent
9	5300 8217	1	J, U		ER0	DG0	PLUNGER
10	4210 617	15	J, U		ER0	DG0	BOLT, Transfer Case
11	4856 391	1	J, U		ER0	DG0	RETAINER, Transfer Case Rear
12	5010 884AA	1	J, U		EPO	DDQ	SEALANT, RTV
13	3681 601	1	J, U		ER0	DG0	MAGNET, Transmission
14	4796 910	1	J, U		ER0	DG0	VENT, Transfer Case
15	4116 310	2	J, U		ER0	DG0	DOWEL, Transfer Case
16	8350 3512	1	J, U		ER0	DG0	WASHER, Flat
17	4210 614	2	J, U		ER0	DG0	BOLT, Hex Flange Head
18	5211 8181	1	J, U		ENO	DDQ	CLIP
19	5600 6755	1	J, U		ER0	DG0	SWITCH, Transfer Case Mode
20	4338 956	2	J, U		ER0	DG0	SEAL, Vacuum Switch
21	4443 176	1	J, U				HOSE, Fuel, .31 I.D. 50 Foot Roll
22	5300 7494	1	J, U				VENT, Transfer Case
23	6502 081	2	J, U				CLAMP, Oil Cooler Line
24	4886 373AA	1	J, U		ER0	DG0	CASE, Transfer Case Rear
25	4338 942	1	J, U		ER0	DG0	SEAL, Oil
26	8350 3523	1	J, U		ER0	DG0	TUBE, Oil Pickup
27	4338 944	1	J, U		ER0	DG0	CONNECTOR, Oil Tube Pickup
28	4338 943	1	J, U		ER0	DG0	FILTER, Transfer Case Oil
29	J813 0979	1	J, U		ER0	DG0	BOLT, Twelve Point Head, M10x1.5x48
30	J813 4488	1	J, U		ER0	DG0	SNAP RING
31	4798 118	1	J, U		ER0	DG0	WASHER
32	#5016 615AA	1	J, U		ER0	DG0	SLINGER, Oil
33	4338 892	1	J, U		ER0	DG0	BEARING

**JEEP CHEROKEE (XJ)**

SERIES	LINE	BODY	ENGINE	TRANSMISSION
P=Classic	J=LHD (4WD)	74=4 Dr.(101.4WB)	ENC,EN0=2.5L 4 cyl. Turbo Die	DDD, DDQ=5 spd. Man.
S=Limited	U=RHD (4WD)	72=2 Dr.(101.4WB)	ERH,ER0=4.0L Power Tech I-6	DGS=4 spd. Auto. AISIN
H=Sport	T=LHD (2WD)		EPE,EP0=Magnum 2.5L SMPI	DG0=All Auto/Trans.
L=SE	B=RHD (2WD)			DBB=All Manual Trans.

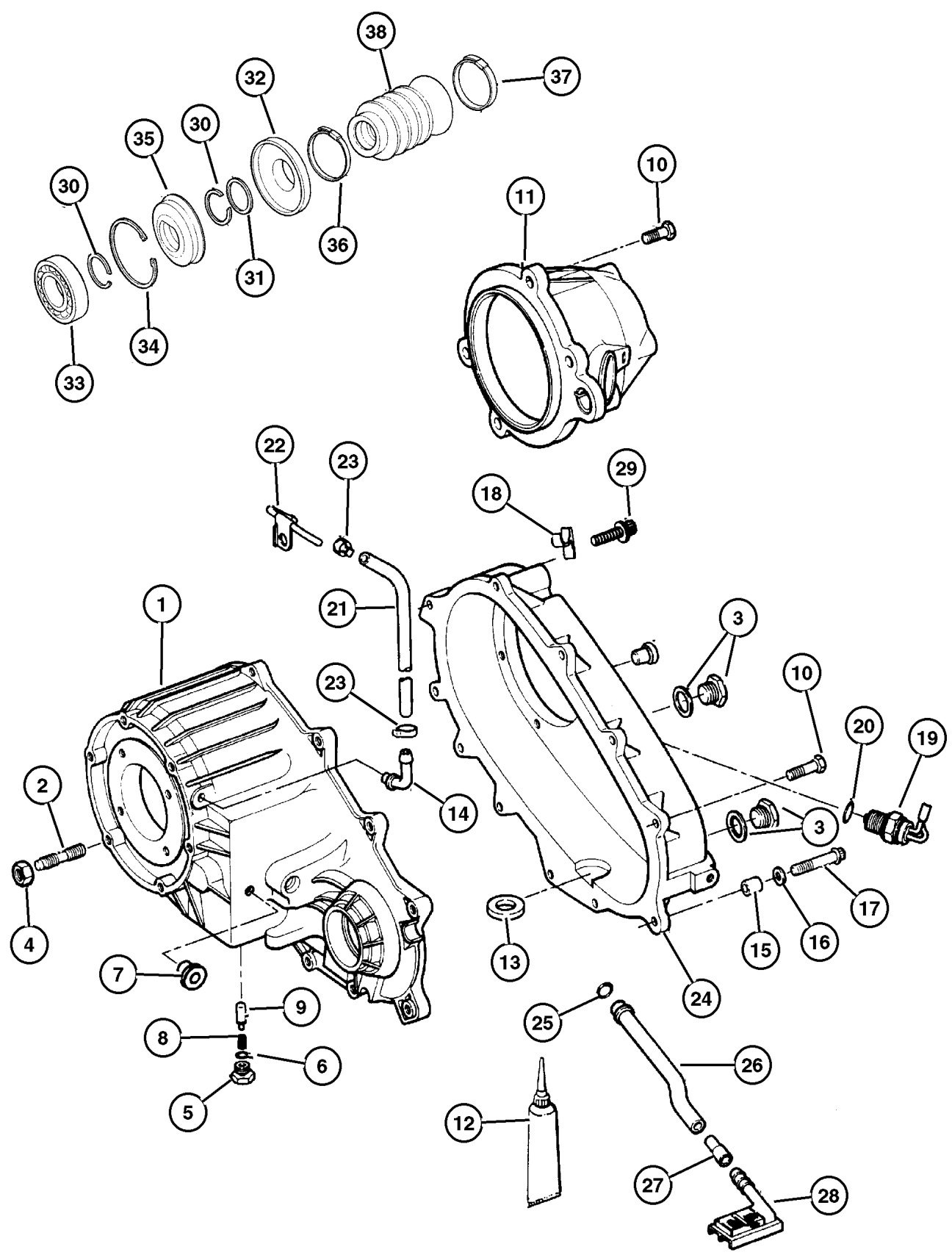
AR = Use as required - = Non illustrated part # = New this model year

April 5, 2002



Case & Related Parts Select Trac (DHP)  
Figure 242-210

ITEM	PART NUMBER	QTY	LINE	SERIES	ENGINE	TRANS	DESCRIPTION
34	J813 4488	1	J, U		ER0	DG0	SNAP RING
35	4798 117	1	J, U		ER0		SEAL, Output Shaft
36	4798 121	1	J, U		ER0	DG0	CLAMP, Boot
37	4798 122	1	J, U		ER0	DG0	CLAMP, Boot
38	4798 123	1	J, U		ER0	DG0	BOOT, Driveshaft



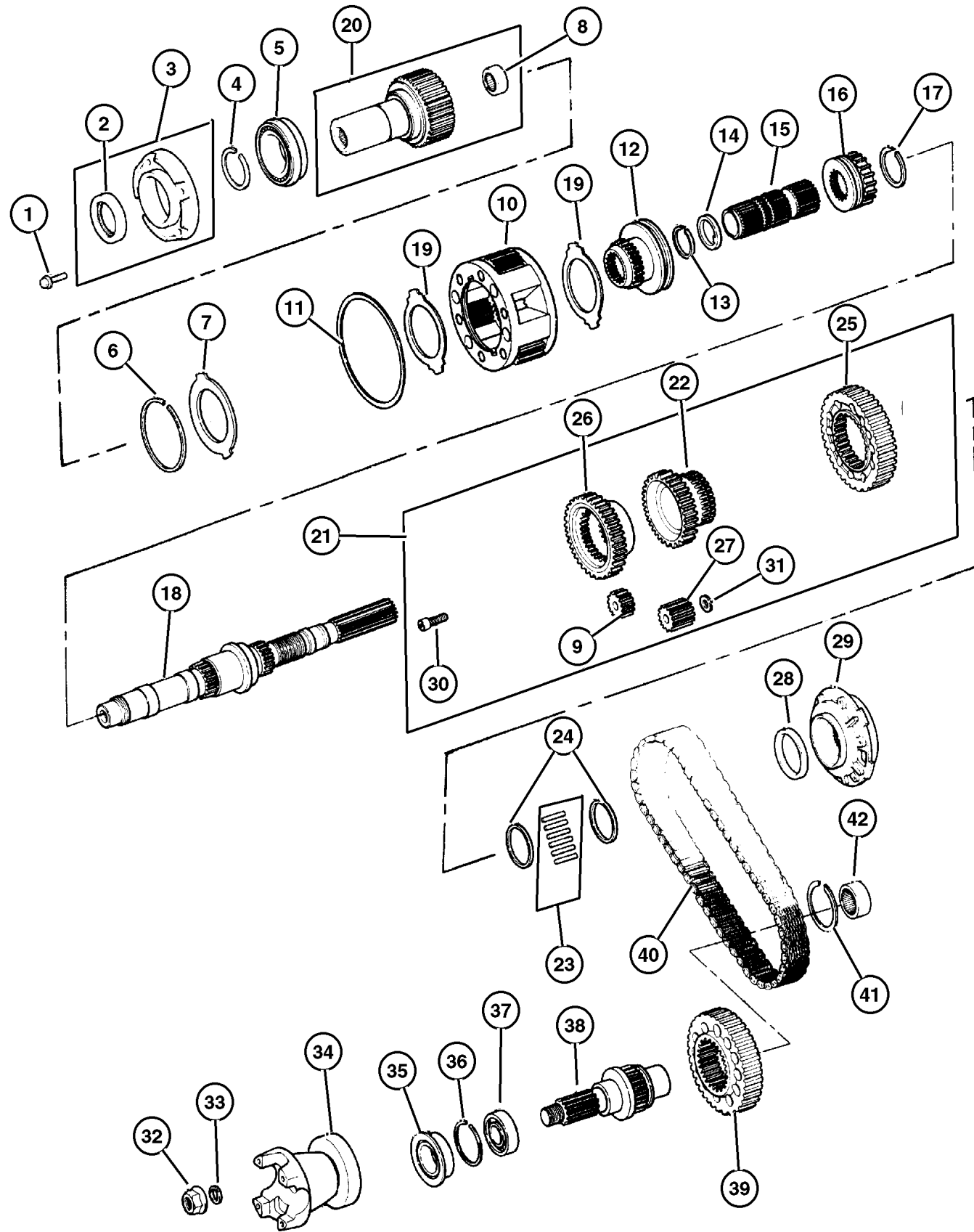
<b>JEEP CHEROKEE (XJ)</b>				
SERIES	LINE	BODY	ENGINE	TRANSMISSION
P=Classic	J=LHD (4WD)	74=4 Dr.(101.4WB)	ENC,EN0=2.5L 4 cyl. Turbo Die	DDD, DDQ=5 spd. Man.
S=Limited	U=RHD (4WD)	72=2 Dr.(101.4WB)	ERH,ER0=4.0L Power Tech I-6	DGS=4 spd. Auto. AISIN
H=Sport	T=LHD (2WD)		EPE,EP0=Magnum 2.5L SMPI	DG0=All Auto/Trans.
L=SE	B=RHD (2WD)			DBB=All Manual Trans.

AR = Use as required - = Non illustrated part # = New this model year

April 5, 2002



**Gear Train Select Trac (DHP)  
Figure 242-410**



ITEM	PART NUMBER	QTY	LINE	SERIES	ENGINE	TRANS	DESCRIPTION
------	-------------	-----	------	--------	--------	-------	-------------

Notes: nsmission

ER0= All 4L., 6 Cylinder, Gas Engine nsmission

DG0 = All Automatic Transmissions nsmission

1	6500 318	4	J, U		ER0	DG0	BOLT
2	4167 929	1	J, U		ER0	DG0	SEAL, Input Gear
3	4338 973	1	J, U		ER0	DG0	EXTENSION, Transfer Case
4	3821 558	1	J, U		ER0	DG0	SNAP RING
5	4746 155	1	J, U		ER0	DG0	BEARING, Input Gear
6	4338 910	1	J, U		ER0	DG0	SNAP RING
7	4338 909	1	J, U		ER0	DG0	RING
8	8350 3507	1	J, U		ER0	DG0	BEARING, Input Shaft
9	8350 4170	3	J, U		ER0	DG0	GEAR, Planetary
10	4796 903	1	J, U		ER0	DG0	GEAR, Low Range Planetary
11							SNAP RING, Annulus Gear
	4219 065	1	J, U		ER0	DG0	Without Police
		1	J, U		ER0	DG0	With Police
12	4798 279	1	J, U		ER0	DG0	SLEEVE, Shift Range
13	8350 3540	1	J, U		ER0	DG0	SNAP RING
14	8350 3539	1	J, U		ER0	DG0	WASHER, Intermediate Sleeve
15	4798 277	1	J, U		ER0	DG0	SHAFT, Intermediate
16	8350 3542	1	J, U		ER0	DG0	SLEEVE, Mode Synchronizer
17	8350 3537	1	J, U		ER0	DG0	SNAP RING
18	4798 145	1	J, U		ER0	DG0	MAINSHAFT, Transfer Case
19	4338 908	2	J, U		ER0	DG0	THRUST WASHER, Planetary Carrier
20	4798 126	1	J, U		ER0	DG0	GEAR, Input
21	8350 3529	1	J, U		ER0	DG0	CARRIER, Differential
22							SPROCKET, Transfer Case
	8350 3530	1	J, U		ER0	DG0	Without Police
		1	J, U		ER0	DG0	With Police
23	8350 3543	1	J, U		ER0	DG0	BEARING PACKAGE, Transfer Case
24	8350 3533	2	J, U		ER0	DG0	SPACER, Sprocket
25							SPROCKET, Transfer Case
	8350 3531	1	J, U		ER0	DG0	Without Police
		1	J, U		ER0	DG0	With Police
26	8350 3536	1	J, U		ER0	DG0	SPROCKET, Differential
27	8350 4169	3	J, U		ER0	DG0	GEAR, Planetary
28	4210 603	1	J, U		ER0	DG0	SEAL, Main Shaft
29	4338 936	1	J, U		ER0	DG0	PUMP, Transfer Case Oil
30	3820 898	6	J, U		ER0	DG0	SCREW
31	8350 4168	12	J, U		ER0	DG0	WASHER, Differential Gear
32	4167 924	1	J, U		ER0	DG0	NUT, Transfer Case Yoke
33	4210 973	1	J, U		ER0	DG0	WASHER, Transfer Case Yoke

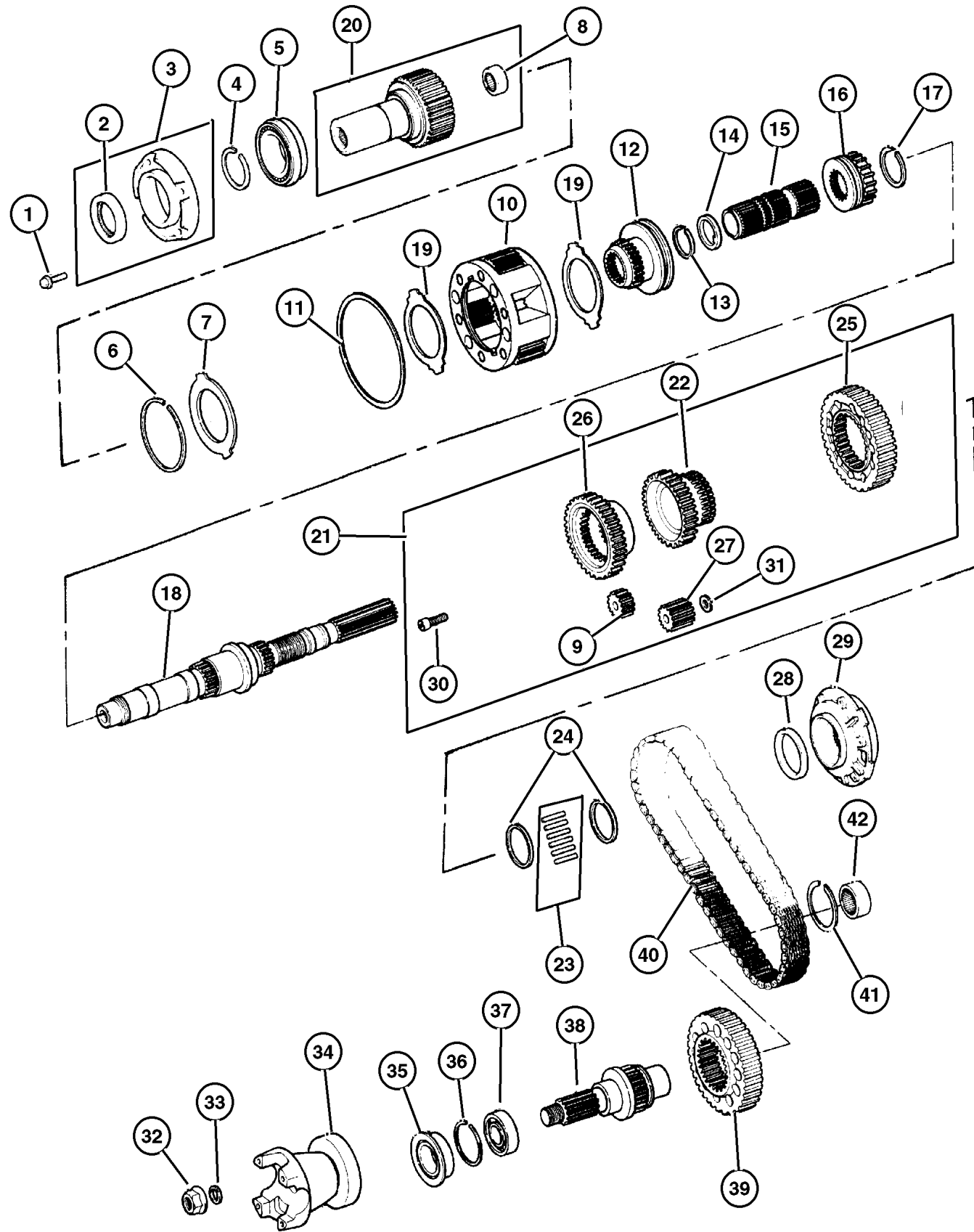
**JEEP CHEROKEE (XJ)**

SERIES	LINE	BODY	ENGINE	TRANSMISSION
P=Classic	J=LHD (4WD)	74=4 Dr.(101.4WB)	ENC,EN0=2.5L 4 cyl. Turbo Die	DDD, DDQ=5 spd. Man.
S=Limited	U=RHD (4WD)	72=2 Dr.(101.4WB)	ERH,ER0=4.0L Power Tech I-6	DGS=4 spd. Auto. AISIN
H=Sport	T=LHD (2WD)		EPE,EP0=Magnum 2.5L SMPI	DG0=All Auto/Trans.
L=SE	B=RHD (2WD)			DBB=All Manual Trans.

AR = Use as required - = Non illustrated part # = New this model year

April 5, 2002

**Gear Train Select Trac (DHP)  
Figure 242-410**



ITEM	PART NUMBER	QTY	LINE	SERIES	ENGINE	TRANS	DESCRIPTION
34	4798 138	1	J, U		ER0	DG0	YOKE, Transfer Case
35	4798 125	1	J, U		ER0	DG0	SEAL, Output Shaft
36	0893 31A	1	J, U		ER0	DG0	SNAP RING
37	4269 189	1	J, U		ER0	DG0	BEARING, Output Shaft
38	8350 3517	1	J, U		ER0	DG0	OUTPUT SHAFT, Transfer Case
39	8350 3518	1	J, U		ER0	DG0	SPROCKET, Transfer Case
40	4638 890	1	J, U		ER0	DG0	CHAIN, Transfer Case
41	4167 991	1	J, U		ER0	DG0	SNAP RING, Bearing
42	4269 189	1	J, U		ER0	DG0	BEARING, Output Shaft

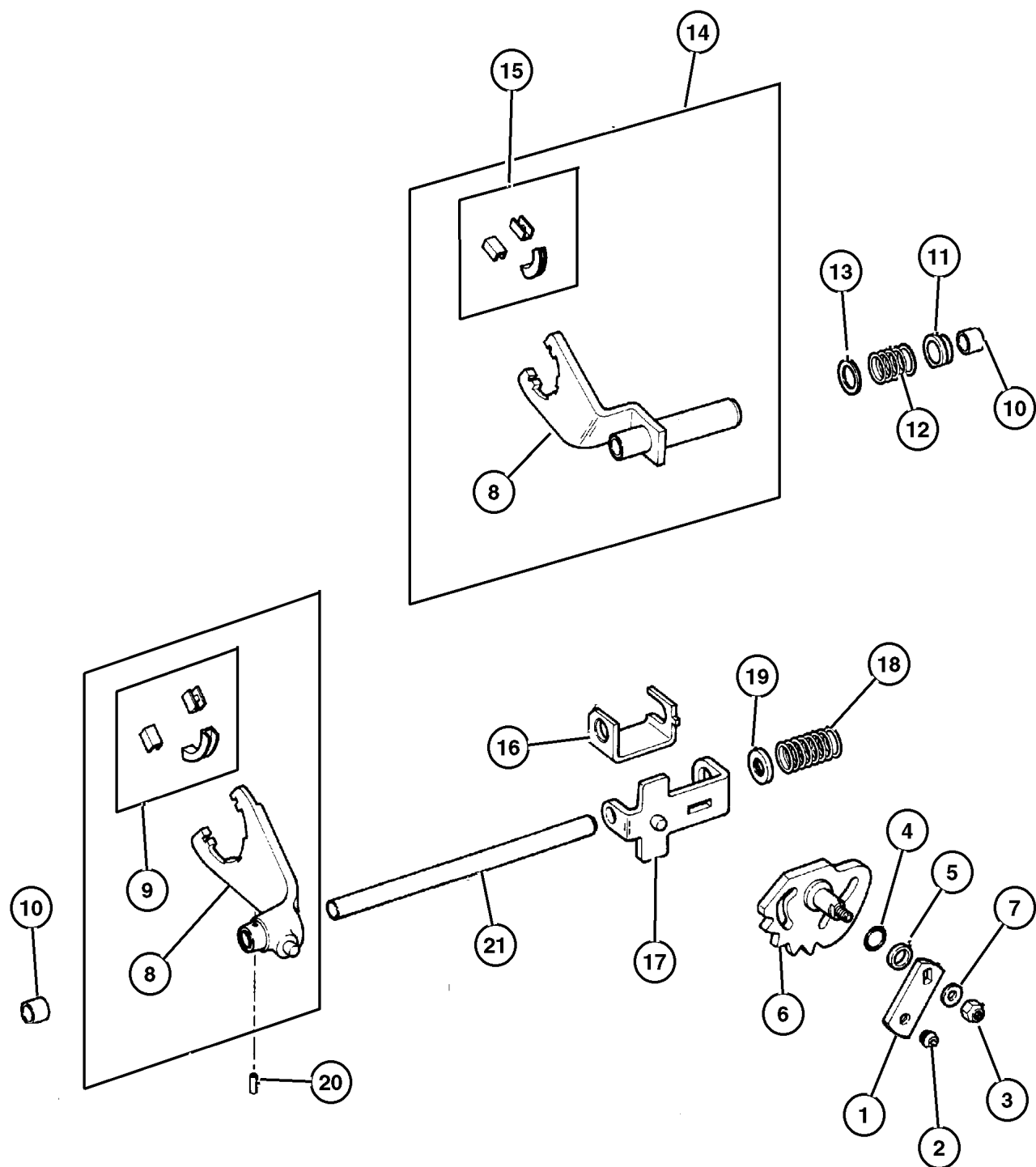
JEEP CHEROKEE (XJ)				
SERIES	LINE	BODY	ENGINE	TRANSMISSION
P=Classic	J=LHD (4WD)	74=4 Dr.(101.4WB)	ENC,EN0=2.5L 4 cyl. Turbo Die	DDD, DDQ=5 spd. Man.
S=Limited	U=RHD (4WD)	72=2 Dr.(101.4WB)	ERH,ER0=4.0L Power Tech I-6	DGS=4 spd. Auto. AISIN
H=Sport	T=LHD (2WD)		EPE,EP0=Magnum 2.5L SMPI	DG0=All Auto/Trans.
L=SE	B=RHD (2WD)			DBB=All Manual Trans.

AR = Use as required - = Non illustrated part # = New this model year

April 5, 2002

Fork and Rails Select Trac (DHP)  
Figure 242-910

ITEM	PART NUMBER	QTY	LINE	SERIES	ENGINE	TRANS	DESCRIPTION
Notes: nsmission							
ER0= All 4L., 6 Cylinder, Gas Engine nsmission							
DG0 = All Automatic Transmissions nsmission							
1	5300 4227	1	J, U		ER0	DG0	LEVER, Transfer Case
2	5300 4810	1	J, U		ER0	DG0	BUSHING, Shift Lever
3	0152 345	1	J, U		ER0	DG0	NUT, Hex Flange Lock
4	4167 963	1	J, U		ER0	DG0	SEAL, O-Ring
5	4167 964	1	J, U		ER0	DG0	RETAINER, Rear Clutch
6	4638 949	1	J, U		ER0	DG0	SECTOR, Transfer Case
7							WASHER, (NOT SERVICED)
8	8350 3508	1	J, U		ER0	DG0	FORK, Range
9	4167 970	1	J, U		ER0	DG0	PAD, Shift Fork
10	J813 4291	2	J, U		ER0	DG0	BUSHING, Shift Fork
11	8350 3514	1	J, U		ER0	DG0	BUSHING, Shift Rail
12	8350 3513	1	J, U		ER0	DG0	SPRING, Mode Shift Fork
13	8350 3512	1	J, U		ER0	DG0	WASHER, Flat
14	4638 950	1	J, U		ER0	DG0	FORK, Transfer Case Mode Shift
15	4167 969	2	J, U		ER0	DG0	PAD, Shift Fork
16	8350 3510	1	J, U		ER0	DG0	BRACKET, Shift Mode
17	8350 3511	1	J, U		ER0	DG0	BRACKET, Shift Mode
18	8350 3516	1	J, U		ER0	DG0	SPRING, Mode Shift Fork
19	8350 3515	1	J, U		ER0	DG0	CUP, Shift Fork Spring
20	1664 355	1	J, U		ER0	DG0	PIN, Shift Fork
21	8350 4469	1	J, U		ER0	DG0	RAIL, Transfer Case



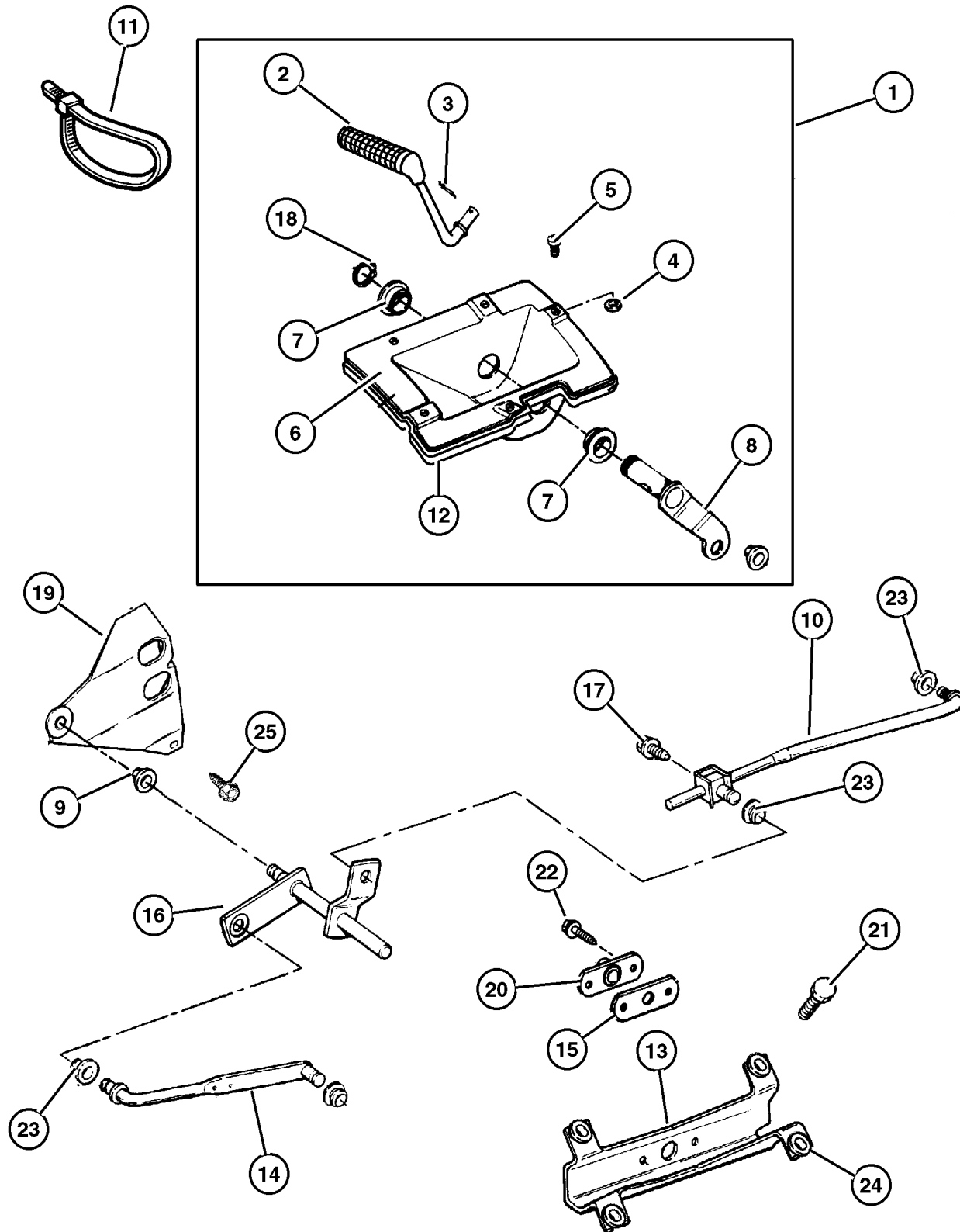
JEEP CHEROKEE (XJ)

SERIES	LINE	BODY	ENGINE	TRANSMISSION
P=Classic	J=LHD (4WD)	74=4 Dr.(101.4WB)	ENC,EN0=2.5L 4 cyl. Turbo Die	DDD, DDQ=5 spd. Man.
S=Limited	U=RHD (4WD)	72=2 Dr.(101.4WB)	ERH,ER0=4.0L Power Tech I-6	DGS=4 spd. Auto. AISIN
H=Sport	T=LHD (2WD)		EPE,EP0=Magnum 2.5L SMPI	DG0=All Auto/Trans.
L=SE	B=RHD (2WD)			DBB=All Manual Trans.

AR = Use as required - = Non illustrated part # = New this model year

April 5, 2002

**Gearshift Controls Select Trac (DHP)  
Figure 242-1210**



ITEM	PART NUMBER	QTY	LINE	SERIES	ENGINE	TRANS	DESCRIPTION
Notes: nsmission							
ER0= All 4L., 6 Cylinder, Gas Engine nsmission							
DBB = All Manual Transmissions nsmission							
DG0 = All Automatic Transmissions nsmission							
1							SHIFTER, Transfer Case
	52104 102AB	1	J			DG0	
	52104 103AB	1	U			DG0	
2							LEVER, Transfer Case Shifter
	5207 9256	1	J			DG0	
		1	U			DG0	
3							PIN, Cotter
	J400 6723	1	J			DG0	
		1	U			DG0	
4							NUT, Push, M5
	6100 839	2	J			DG0	
		2	U			DG0	
5							FASTENER, Push On
	5207 7671	1	J			DG0	
		1	U			DG0	
6							HOUSING, Shift Lever
	5300 1284	1	J			DG0	
		1	U			DG0	
7							BUSHING, Shift Control
	5300 0639	2	J			DG0	
		2	U			DG0	
8							LEVER, Transfer Case
	5300 5150	1	J			DG0	
		1	U			DG0	
9	5300 4810	1	J, U		ER0	DG0	BUSHING, Shift Lever
10	5210 4073	1	J, U		ER0	DG0	ROD, Gear Shift Control, Transfer Case
11							STRAP, Retaining
	J369 3058	1	J			DG0	
		1	U			DG0	
12							BOOT, Transfer Case Lever
	5210 4019	1	J			DG0	
		1	U			DG0	
13	52104 017AB	1	J, U		ER0	DG0	BRACKET, Torque Shaft
14							ROD, Gear Shift Control, Transfer Case
	5300 4943	1	J, U		ER0	DG0	
	5210 4122	1	J, U		ER0	DBB	
15	5300 5154	1	J, U		ER0	DG0	GASKET, Gearshift Control Rod
16	5300 5151	1	J, U		ER0	DG0	TORQUE SHAFT, Transfer Case

**JEEP CHEROKEE (XJ)**

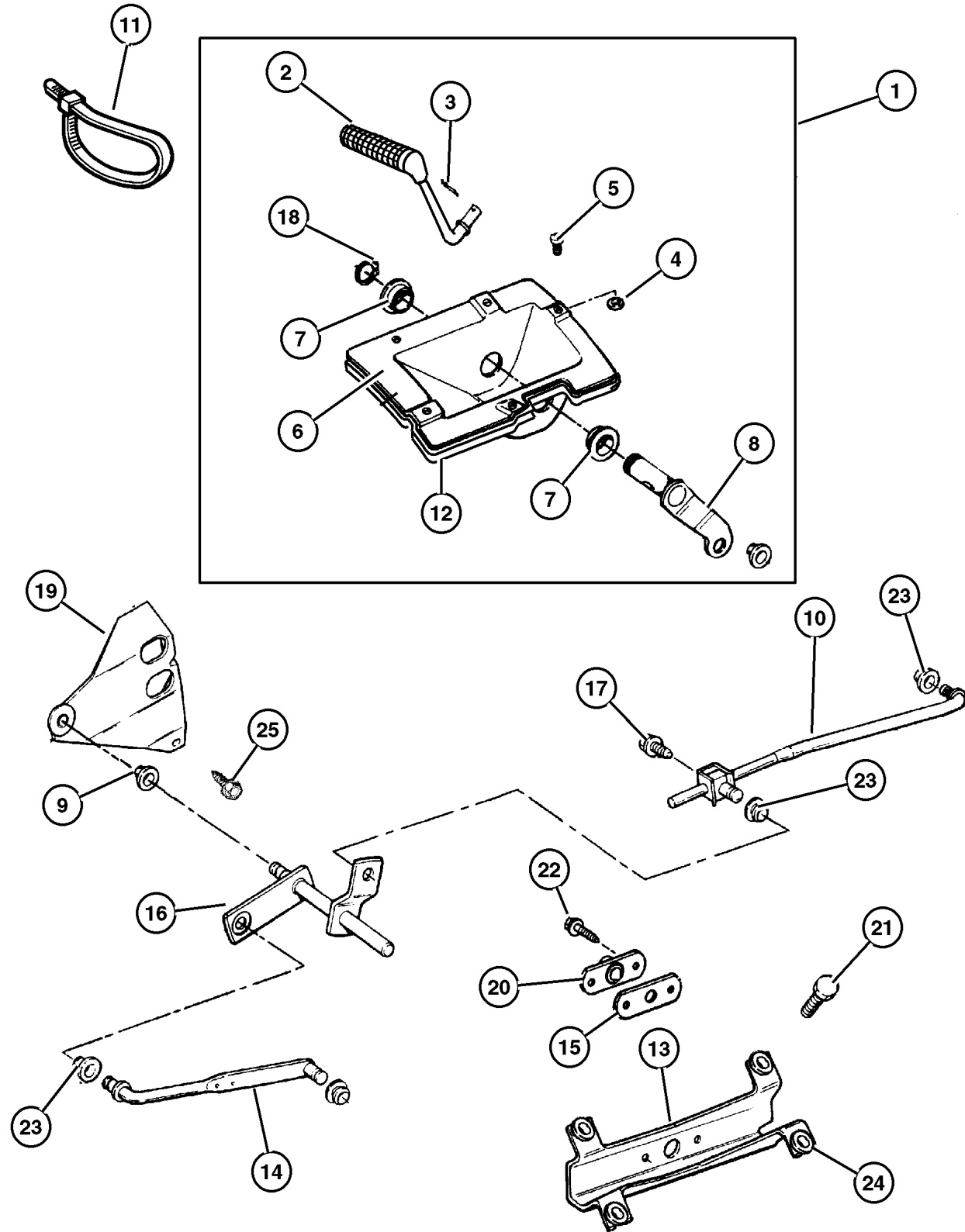
SERIES	LINE	BODY	ENGINE	TRANSMISSION
P=Classic	J=LHD (4WD)	74=4 Dr.(101.4WB)	ENC,EN0=2.5L 4 cyl. Turbo Die	DDD, DDQ=5 spd. Man.
S=Limited	U=RHD (4WD)	72=2 Dr.(101.4WB)	ERH,ER0=4.0L Power Tech I-6	DGS=4 spd. Auto. AISIN
H=Sport	T=LHD (2WD)		EPE,EP0=Magnum 2.5L SMPI	DG0=All Auto/Trans.
L=SE	B=RHD (2WD)			DBB=All Manual Trans.

AR = Use as required - = Non illustrated part # = New this model year

April 5, 2002

**Gearshift Controls Select Trac (DHP)**  
**Figure 242-1210**

ITEM	PART NUMBER	QTY	LINE	SERIES	ENGINE	TRANS	DESCRIPTION
17	J400 6036	1	J, U				BOLT, Hex Head, .312-18x.50
18	1150 5389	1	J			DG0	SNAP RING
		1	U			DG0	
19	53005 071AB	1	J, U		ER0	DG0	BRACKET, Torque Shaft
20	5207 8134	1	J, U		ER0	DG0	BEARING, Transfer Case Shift
21	6503 811	4	J, U				BOLT, Hex Head, M6x1.00x20.00
22	3420 1381	2	J, U		ER0	DG0	SCREW, Hex Flange Head Tapping, M6x1.00x20.00
23	3575 333	2	J, U		ER0	DG0	GROMMET, Control Rod Front
24	5210 4014	4	J, U		ER0	DG0	GROMMET
25	1150 4336	1	J, U		ER0	DG0	BOLT, Hex Head, M8x1.25x16



<b>JEEP CHEROKEE (XJ)</b>				
SERIES	LINE	BODY	ENGINE	TRANSMISSION
P=Classic	J=LHD (4WD)	74=4 Dr.(101.4WB)	ENC,EN0=2.5L 4 cyl. Turbo Die	DDD, DDQ=5 spd. Man.
S=Limited	U=RHD (4WD)	72=2 Dr.(101.4WB)	ERH,ER0=4.0L Power Tech I-6	DGS=4 spd. Auto. AISIN
H=Sport	T=LHD (2WD)		EPE,EP0=Magnum 2.5L SMPI	DG0=All Auto/Trans.
L=SE	B=RHD (2WD)			DBB=All Manual Trans.

AR = Use as required - = Non illustrated part # = New this model year

April 5, 2002

# Group – 21P

## Speedometer Pinions

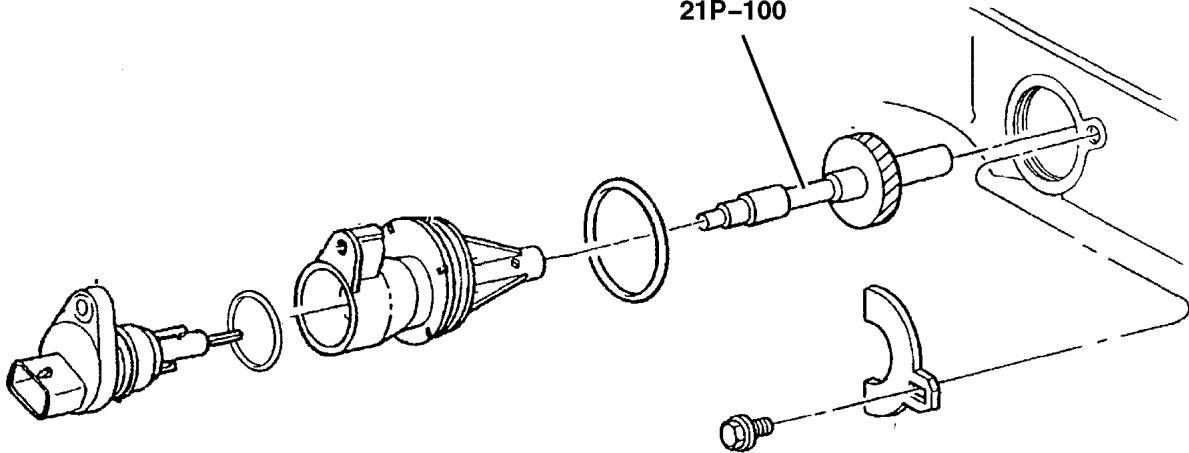
GROUP 21P - Speedometer Pinions

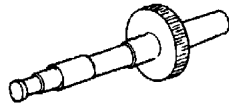
Illustration Title

Group-Fig. No.

**Speedometer Pinions**

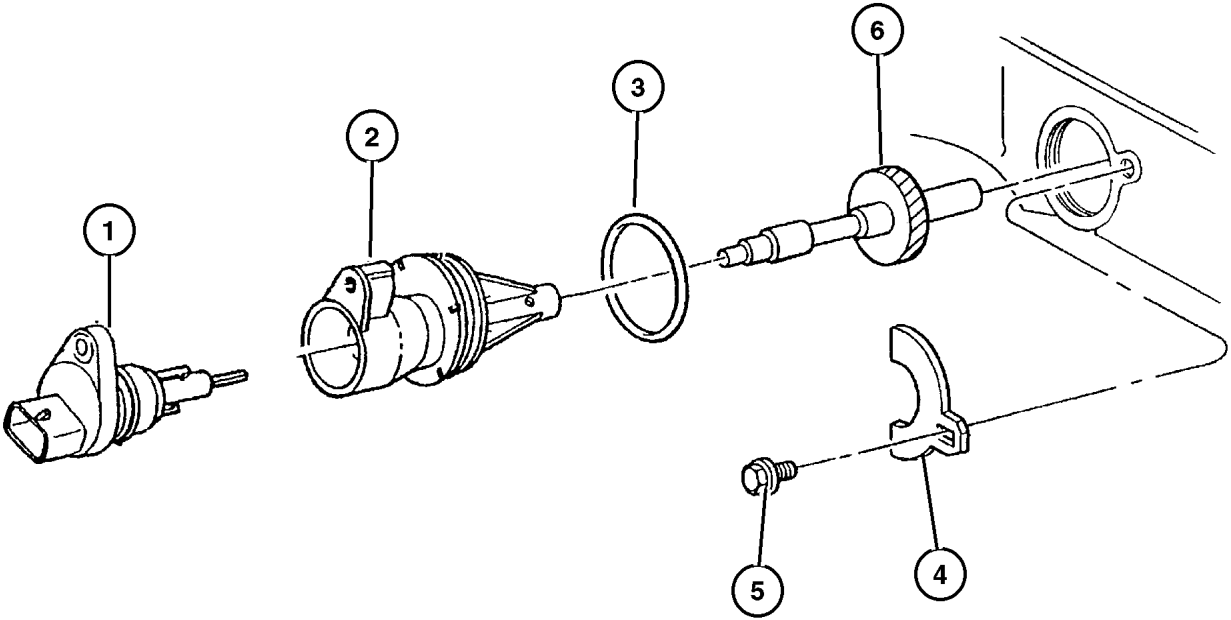
Speedometer Pinion ..... Fig. 21P-110



<p><b>21P-100</b> Speedometer Pinions</p> 			
---	--	--	--

**Speedometer Pinion  
Figure 21P-110**

ITEM	PART NUMBER	QTY	LINE	SERIES	ENGINE	TRANS	DESCRIPTION
1	5602 7905	1					SENSOR, Vehicle Speed
2	5206 9315	1					HOUSING, Speedometer Drive Gear
3	6035 709	1					O RING, Trans Speedo Adapter
4	2892 399	1					CLAMP, Speedometer
5	0180 077	1					BOLT, Hex Head, 5/16x18x3/4
6							PINION, Speedometer Drive
	5206 7629	1					3.07 AXLE RATIO, 29 Teeth. P225/75R15 Wrangler RT/S AT
	5206 7630	1					3.07 AXLE RATIO, 30 Teeth, All P215/75R15/R16/ R17, P225/70R15 (OWL) Eagle GA A/S
	5206 7633	1					3.50 AXLE RATIO, 33 Teeth, P225/75R15 Wrangler RT/S AT Michelin
	5206 7634	1					3.50 AXLE RATIO, 34 Teeth, P225/75R15 Wrangler RT/S AT Goodyear
		1					3.50 AXLE RATIO, 34 Teeth, P225/75R15 Wrangler RT/S AT Goodyear P225/70R16 BSW Wrangler
	5206 7635	1					3.50 AXLE RATIO, 35 Teeth P215/75R15 BSW A/S Wrangler AP
		1					3.70 AXLE RATIO, 35 Teeth, P225/75R15 Wrangler RT/S AT Michelin
		1					3.50 AXLE RATIO, 35 Teeth, P225/70R15 High Speed Rated Eagle GA,P225/70R15 (OWL) Eagle GA A/S
	5206 7636	1					3.70 AXLE RATIO, 36 Teeth, P225/75R15 Wrangler RT/S AT, P225/75R15 (OWL) A/S Goodyear Tires
		1					3.70 AXLE RATIO, 36 Teeth, P225/75R15 Wrangler RT/S AT, P225/75R15 (OWL) A/S Goodyear Tires P225/70R16 BSW AT
	5206 7637	1					3.70 AXLE RATIO, 37 Teeth, All P215R15/R16/ R17 Tires,P225/70R15 (OWL) Eagle GA A/S Tires
	5206 7639	1					4.11 AXLE RATIO, 39 Teeth, P215/75R15 Wrangler RT/S AT
	5206 7640	1					4.11 AXLE RATIO, 40 Teeth, All P215R15/R16/ R17 Tires
	5206 7641	1					4.11 AXLE RATIO, 41 Teeth, P225/70R15 (OWL) A/S



JEEP CHEROKEE (XJ)				
SERIES	LINE	BODY	ENGINE	TRANSMISSION
P=Classic	J=LHD (4WD)	74=4 Dr.(101.4WB)	ENC,EN0=2.5L 4 cyl. Turbo Die	DDD, DDQ=5 spd. Man.
S=Limited	U=RHD (4WD)	72=2 Dr.(101.4WB)	ERH,ER0=4.0L Power Tech I-6	DGS=4 spd. Auto. AISIN
H=Sport	T=LHD (2WD)		EPE,EP0=Magnum 2.5L SMPI	DG0=All Auto/Trans.
L=SE	B=RHD (2WD)			DBB=All Manual Trans.

AR = Use as required - = Non illustrated part # = New this model year

April 5, 2002

# Group – 022

## Wheels, Covers and Jacks

### GROUP 22 - Wheels, Covers and Jacks

Illustration Title

Group-Fig. No.

#### Wheels and Hardware

Wheels and Hardware ..... Fig. 022-120

#### Wheel Covers and Center Caps

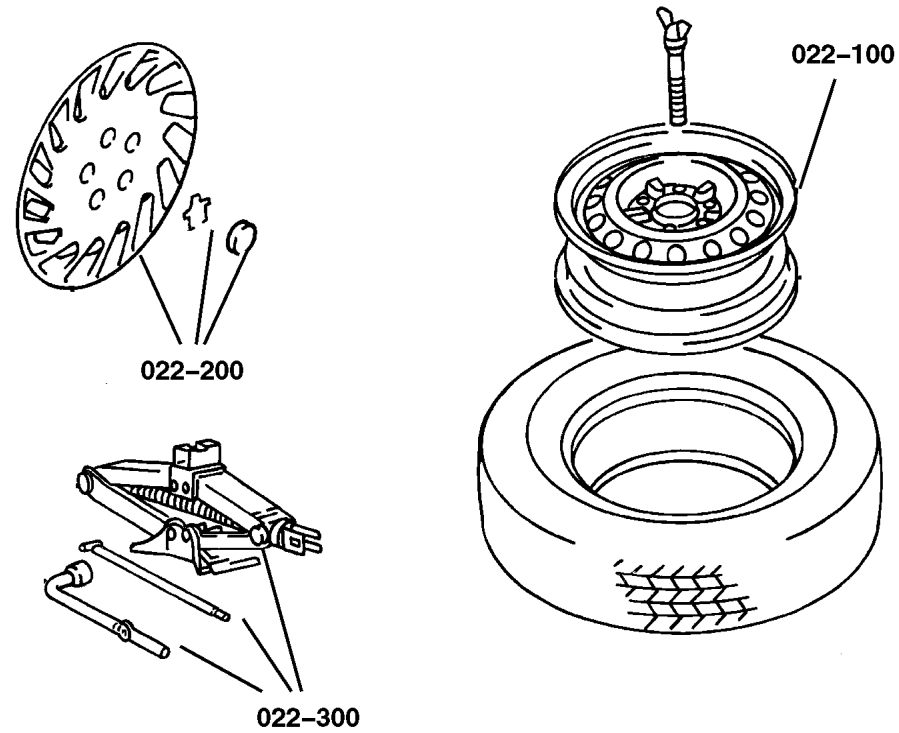
Wheel Cap ..... Fig. 022-220


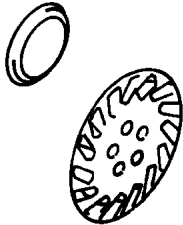
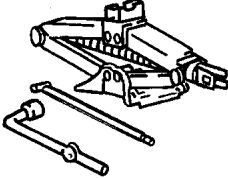
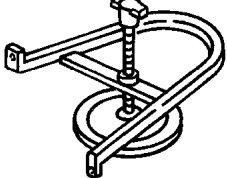
#### Jack Stowage

Jack Stowage ..... Fig. 022-310

#### Spare Tire Stowage

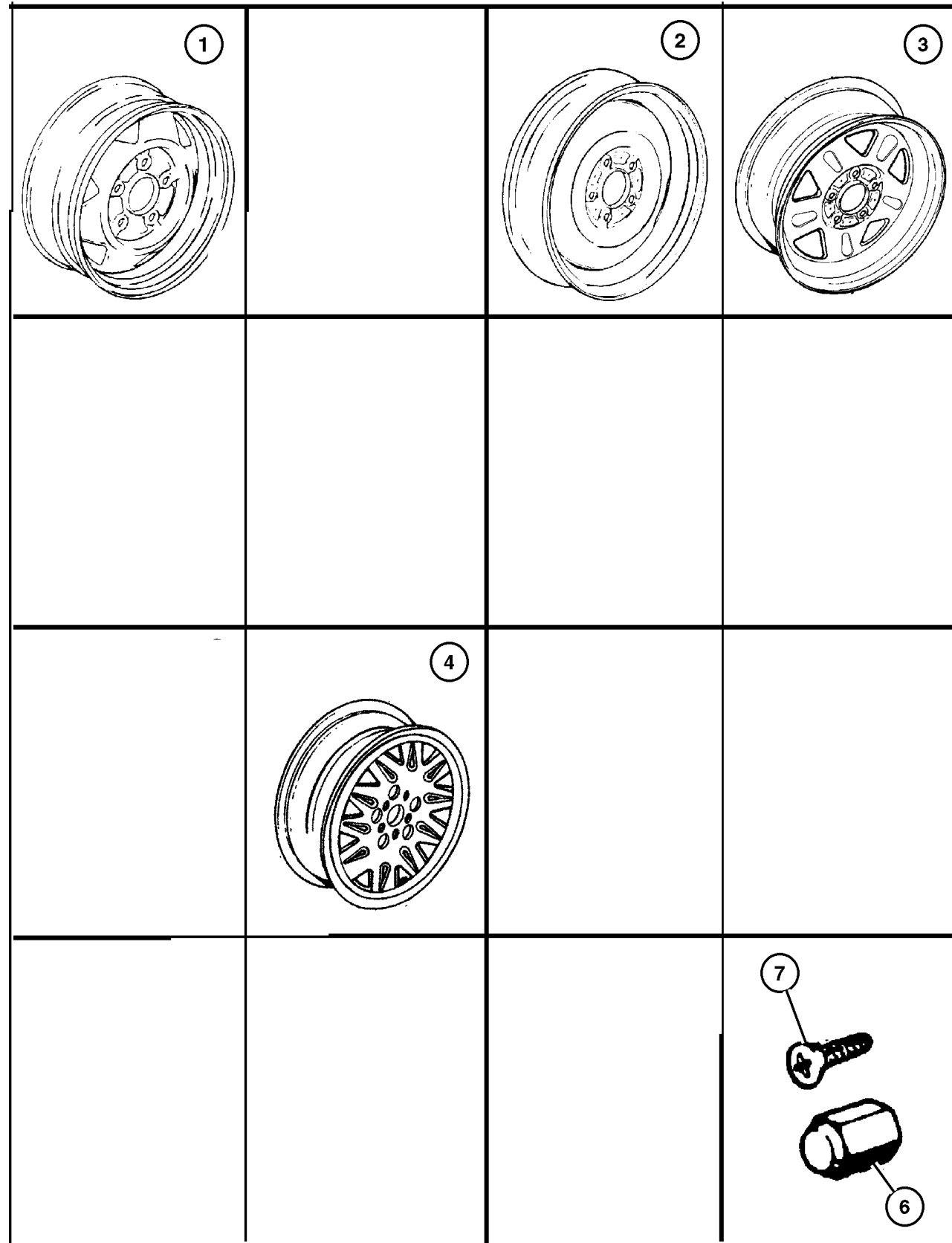
Wheel, Spare ..... Fig. 022-430



<p><b>022-100</b> Wheels and Hardware</p> 	<p><b>022-200</b> Wheel Covers and Center Caps</p> 	<p><b>022-300</b> Jack Stowage</p> 	<p><b>022-400</b> Spare Tire Stowage</p> 
---	--	---	--



**Wheels and Hardware**  
**Figure 022-120**

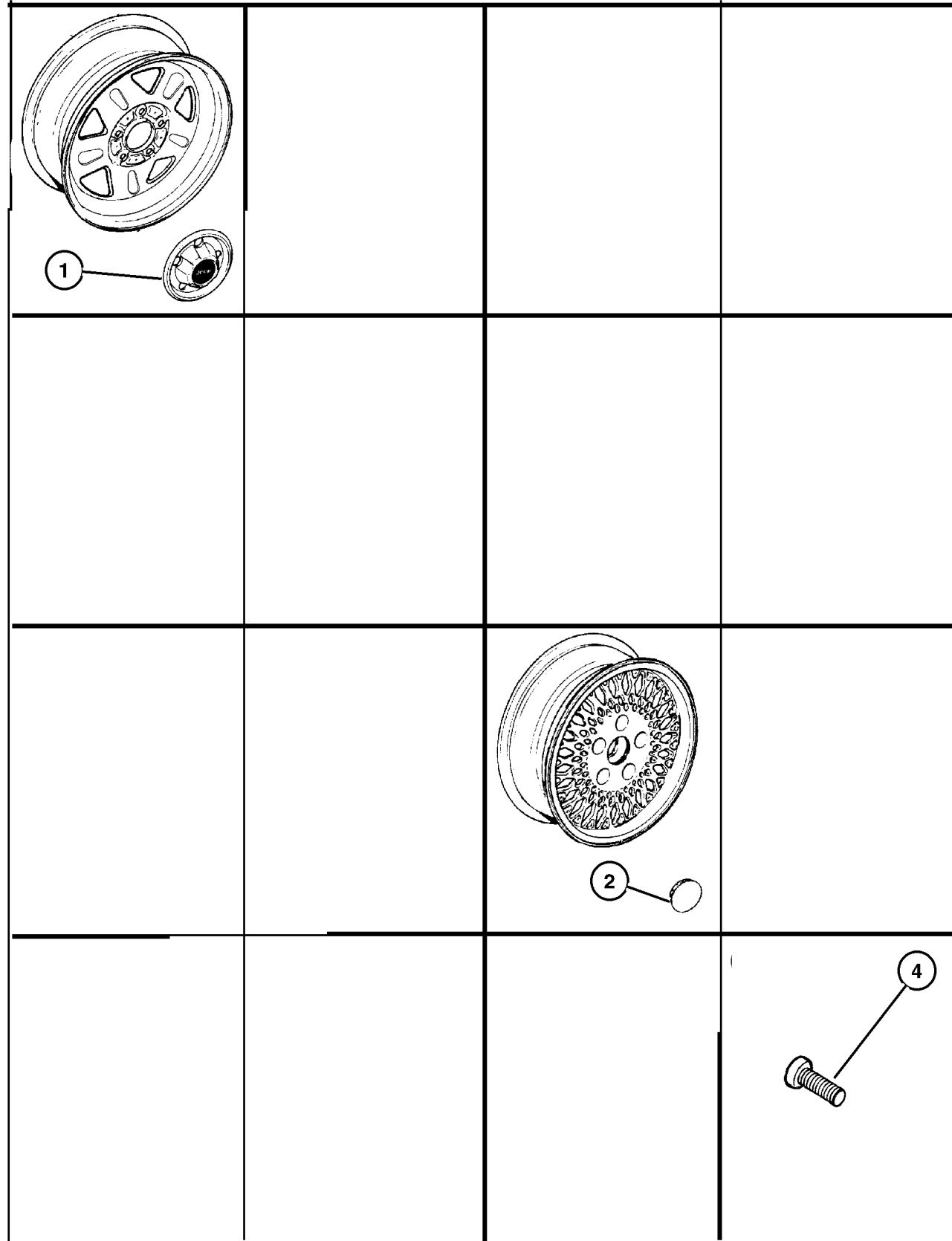


ITEM	PART NUMBER	QTY	LINE	SERIES	BODY	DESCRIPTION
Transmission						
Note: Sales Code WJW,WJ1 = 15x7.0 Aluminum Wheel Transmission						
Note: Sales Code WNL,WDF,WDU = 16x7.0 Aluminum Wheel Transmission						
1	5EW0 3T4A	4				WHEEL, Steel, [WJD]
2	5200 0019	1				WHEEL, Spare
3						WHEEL, Steel
	5FV6 3S4A	4				Up-To 5-1-99 [WJ5]
	5FV63 S4AAB	4				After 5-1-99 [WJ5]
4						WHEEL, Aluminum
	5EE8 0TAE	4				15 x 7.0 WJW
	5EE8 0WTD	4				15 x 7.0 WJU
-5						WHEEL, Aluminum
	#5GR08 MA8AA	4				16 x 7.0 WNL
	#5GK75 PAKAA	4				16 x 7.0 WDF
	5FG56 PAKAB	4				16 x 7.0 WDU
6	J400 6956	20				NUT, Wheel, .50x20
7	3420 2523	12				SCREW, Hex Flange Head, M4.8x1.59x11.00

JEEP CHEROKEE (XJ)				
SERIES	LINE	BODY	ENGINE	TRANSMISSION
P=Classic	J=LHD (4WD)	74=4 Dr.(101.4WB)	ENC,EN0=2.5L 4 cyl. Turbo Die	DDD, DDQ=5 spd. Man.
S=Limited	U=RHD (4WD)	72=2 Dr.(101.4WB)	ERH,ER0=4.0L Power Tech I-6	DGS=4 spd. Auto. AISIN
H=Sport	T=LHD (2WD)		EPE,EP0=Magnum 2.5L SMPI	DG0=All Auto/Trans.
L=SE	B=RHD (2WD)			DBB=All Manual Trans.

AR = Use as required - = Non illustrated part # = New this model year

## Wheel Cap Figure 022-220



ITEM	PART NUMBER	QTY	LINE	SERIES	BODY	DESCRIPTION
Note: Sales Code WJW,WJ1,WJ7 = 15x7.0 Aluminum Wheel nsmission						
Note: Sales Code WNL,WDF,WDU = 16x7.0 Aluminum Wheel nsmission						
1	5208 9008	4				CAP, Wheel Center
2						CAP, Wheel Center
	5DY0 7TA8	4				WNL
	5DY0 7TAK	4				WDF
	5DY0 7WTD	4				WJU
	5CF3 4L4A	4				WJ5
	5DY0 7TAK	4				WDU
-3	5DY0 7TAE	4				CAP, Wheel Center, WJW
4	3420 2523	12				SCREW, Hex Flange Head, M4.8x1.59x11.00

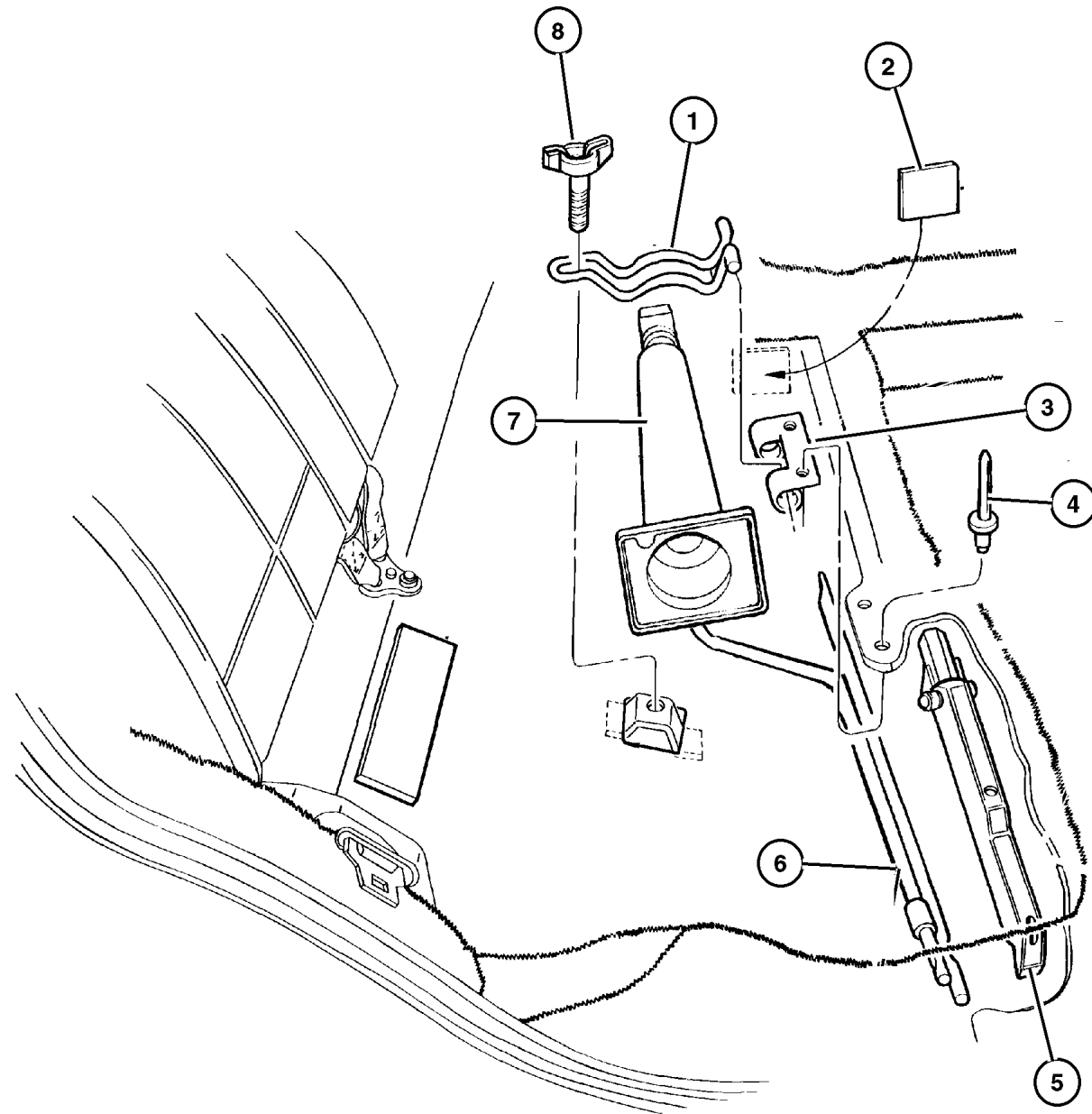
JEEP CHEROKEE (XJ)				
SERIES	LINE	BODY	ENGINE	TRANSMISSION
P=Classic	J=LHD (4WD)	74=4 Dr.(101.4WB)	ENC,EN0=2.5L 4 cyl. Turbo Die	DDD, DDQ=5 spd. Man.
S=Limited	U=RHD (4WD)	72=2 Dr.(101.4WB)	ERH,ER0=4.0L Power Tech I-6	DGS=4 spd. Auto. AISIN
H=Sport	T=LHD (2WD)		EPE,EP0=Magnum 2.5L SMPI	DG0=All Auto/Trans.
L=SE	B=RHD (2WD)			DBB=All Manual Trans.

AR = Use as required - = Non illustrated part # = New this model year

April 5, 2002

**Jack Stowage  
Figure 022-310**

ITEM	PART NUMBER	QTY	LINE	SERIES	BODY	DESCRIPTION
1	52003 474AB	1				RETAINER, Jack Hold Down
2						LABEL, Jack Ok, (NOT SERVICED)
3	5500 1903	1				BRACKET, Jack
4	3420 1684	2			74	RIVET, M3.18x2.37
5	5200 3583	1				WRENCH, Wheel Lug Nut
6	5200 0221	1				HANDLE, Jack
7	5205 9104	1				JACK
8	5200 0354	1				WINGSCREW

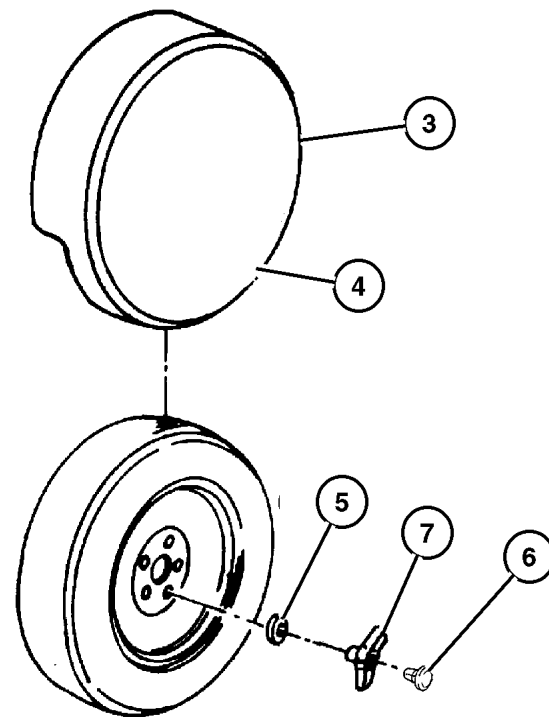
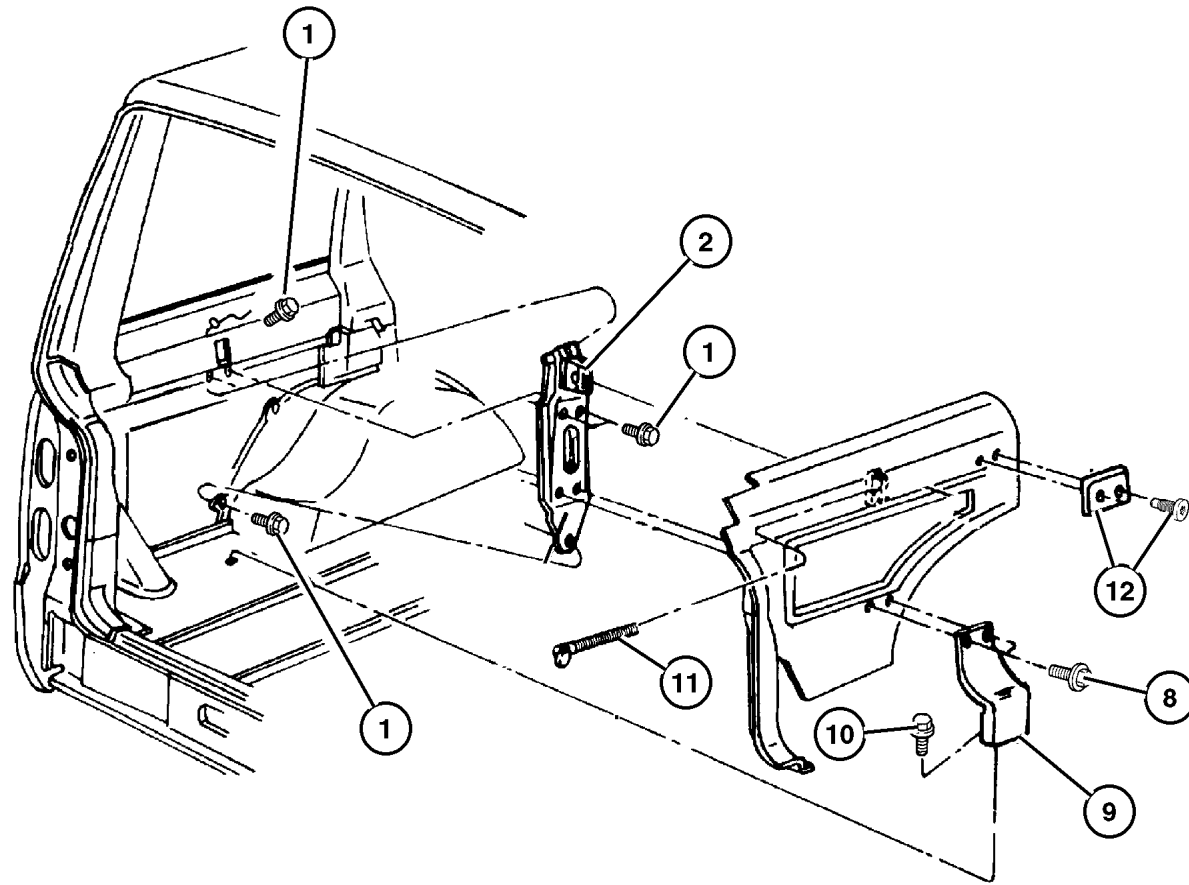


JEEP CHEROKEE (XJ)				
SERIES	LINE	BODY	ENGINE	TRANSMISSION
P=Classic	J=LHD (4WD)	74=4 Dr.(101.4WB)	ENC,EN0=2.5L 4 cyl. Turbo Die	DDD, DDQ=5 spd. Man.
S=Limited	U=RHD (4WD)	72=2 Dr.(101.4WB)	ERH,ER0=4.0L Power Tech I-6	DGS=4 spd. Auto. AISIN
H=Sport	T=LHD (2WD)		EPE,EP0=Magnum 2.5L SMPI	DG0=All Auto/Trans.
L=SE	B=RHD (2WD)			DBB=All Manual Trans.

AR = Use as required - = Non illustrated part # = New this model year

April 5, 2002

## Wheel, Spare Figure 022-430



ITEM	PART NUMBER	QTY	LINE	SERIES	BODY	DESCRIPTION
1	3420 1381	2	J, U			SCREW, Hex Flange Head Tapping, M6x1.00x20.00
2	55235 195AB	1				BRACKET, Swing Bolt Retainer
3						COVER, Inside Spare Tire
	5FM74 LAZAC	1				Gray, Compact Spare
	5FM74 VK9AC	1				Tan, Compact Spare
	5FM76 LAZAD	1				Gray, Standard
	5FM76 VK9AD	1				Tan, Standard
4						COVER, Spare Tire, Shade Assy., with Clips
	5FX79 1AZAF	1				Agate, with Compact Spare
	5FX79 1K9AF	1				Tan, with Compact Spare
	#5GW97 LAZAB	1				Agate, without Compact Spare
	#5GW97 VK9AA	1				Tan, without Compact Spare
	#5GX04 1AZAB	1				[AZ]
	#5GX04 1K9AB	1				[K5]
5	5208 7669	1				CUP, Spare Tire Retention
6	5200 0733	1				CAP, Spare Tire Wing Nut
7	6503 070	1				WINGNUT, Jack and Tire Hold Down
8	3420 1610	2				SCREW AND WASHER, Hex Head, M6x1x30
9	#55000 859AB	1				BRACKET, Spare Tire
10						SCREW, (NOT SERVICED)
11	55235 181AC	1				BOLT, Spare Wheel Hold Down
12						REST, Spare Tire, (NOT SERVICED)

### JEEP CHEROKEE (XJ)

SERIES	LINE	BODY	ENGINE	TRANSMISSION
P=Classic	J=LHD (4WD)	74=4 Dr.(101.4WB)	ENC,EN0=2.5L 4 cyl. Turbo Die	DDD, DDQ=5 spd. Man.
S=Limited	U=RHD (4WD)	72=2 Dr.(101.4WB)	ERH,ER0=4.0L Power Tech I-6	DGS=4 spd. Auto. AISIN
H=Sport	T=LHD (2WD)		EPE,EP0=Magnum 2.5L SMPI	DG0=All Auto/Trans.
L=SE	B=RHD (2WD)			DBB=All Manual Trans.

AR = Use as required - = Non illustrated part # = New this model year

April 5, 2002

# Group – 23D

## Wiper/Lock Cylinder and Keys

### GROUP 23D - Wiper/Lock Cylinder and Keys

Illustration Title

Group-Fig. No.

#### Lock Cylinders and Keys

Lock Cylinders & Keys ..... Fig. 23D-120

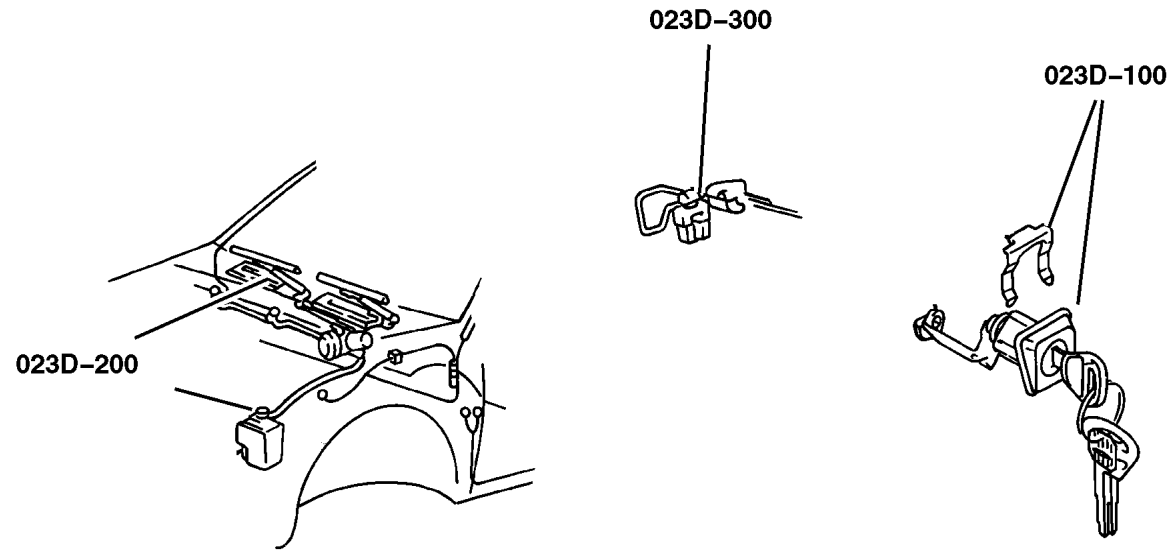
#### Windshield Wiper and Washer Systems

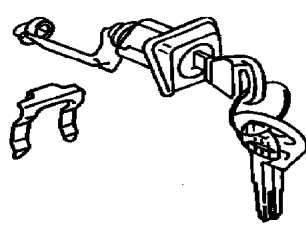
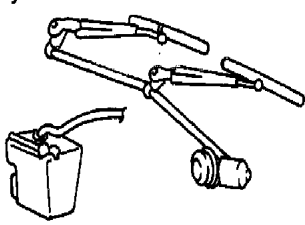
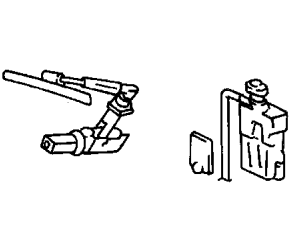
Windshield Wiper & Washer L.H.D. .... Fig. 23D-220

Windshield Wiper & Washer R.H.D. .... Fig. 23D-222

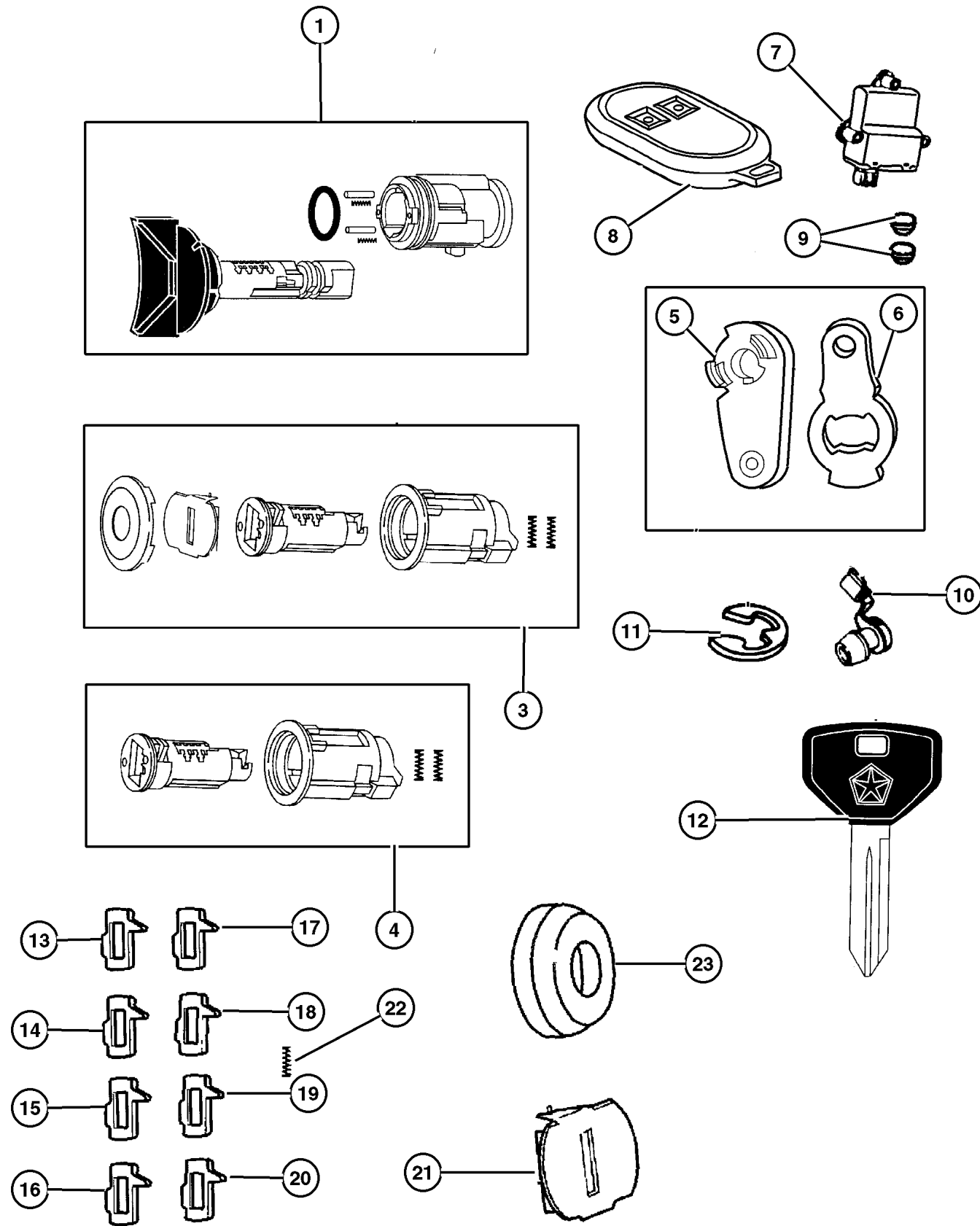
#### Rear Wiper and Washer System

Rear Wiper & Washer ..... Fig. 23D-320



<p><b>23D-100</b> Lock Cylinders and Keys</p> 	<p><b>23D-200</b> Windshield Wiper and Washer Systems</p> 	<p><b>23D-300</b> Rear Wiper and Washer System</p> 	
---	---	---	--

## Lock Cylinders & Keys Figure 23D-120



ITEM	PART NUMBER	QTY	LINE	BODY	DESCRIPTION
1	5003 843AA	1			CYLINDER, Ignition Lock
-2	4864 651	1			CYLINDER, Door Lock
3	4778 125	AR			LOCK CYLINDER, [Liftgate Only]
4	4746 315	AR			CYLINDER, Glove Box Lock
5	5507 5824	1			LEVER, Door Lock Cylinder
6	5507 5838	1			LEVER, Liftgate Lock Cylinder
7					MODULE PACKAGE, Keyless Entry
	5003 378AC	1			
	5003 382AB	1			EUROPE
8					TRANSMITTER, Keyless Entry
	56036 859AB	2			w/o Immobilizer
	56036 862AB	2			w/Immobilizer
9	8350 4802	2			BATTERY, Transmitter
10					CLIP, Latch
	4658 445	1			Orange
	4658 444	1			Purple
11	6026 125	1			CLIP, Retainer
12					KEY, Master
	5010 366AA	2			
	5013 807AA	1			Century 'Jeep'
	5013 809AA	2			Oval Key
13	5010 879AA	1			TUMBLER, Ignition Number 1, Sidebar
14	5010 880AA	1			TUMBLER, Ignition Number 2, Sidebar
15	5010 881AA	1			TUMBLER, Ignition Number 3, Sidebar
16	5010 882AA	1			TUMBLER, Ignition Number 4, Sidebar
17	4778 117	1			TUMBLER, Door and Deck Number 1, Wide
18	4778 118	1			TUMBLER, Door and Deck Number 2, Wide
19	4778 119	1			TUMBLER, Door and Deck Number 3, Wide
20	4778 120	1			TUMBLER, Door and Deck Number 4, Wide
21	4778 150	1			SHUTTER, Door, Deck and Liftgate, Bright
22	4778 121	1			SPRING, Door and Deck Tumbler
23	4882 178	1			CAP, Door Lock Cylinder
-24	56042 844AA	1			LABEL, General Information
-25	55314 965AB	1			TRIM RING, Ignition Key Cylinder
-26	5003 378AD	1			MODULE PACKAGE, Keyless Entry
-27	5003 378AD	1			MODULE PACKAGE, Keyless Entry
-28	5523 5561	2			GASKET, Door Lock Cylinder, Black

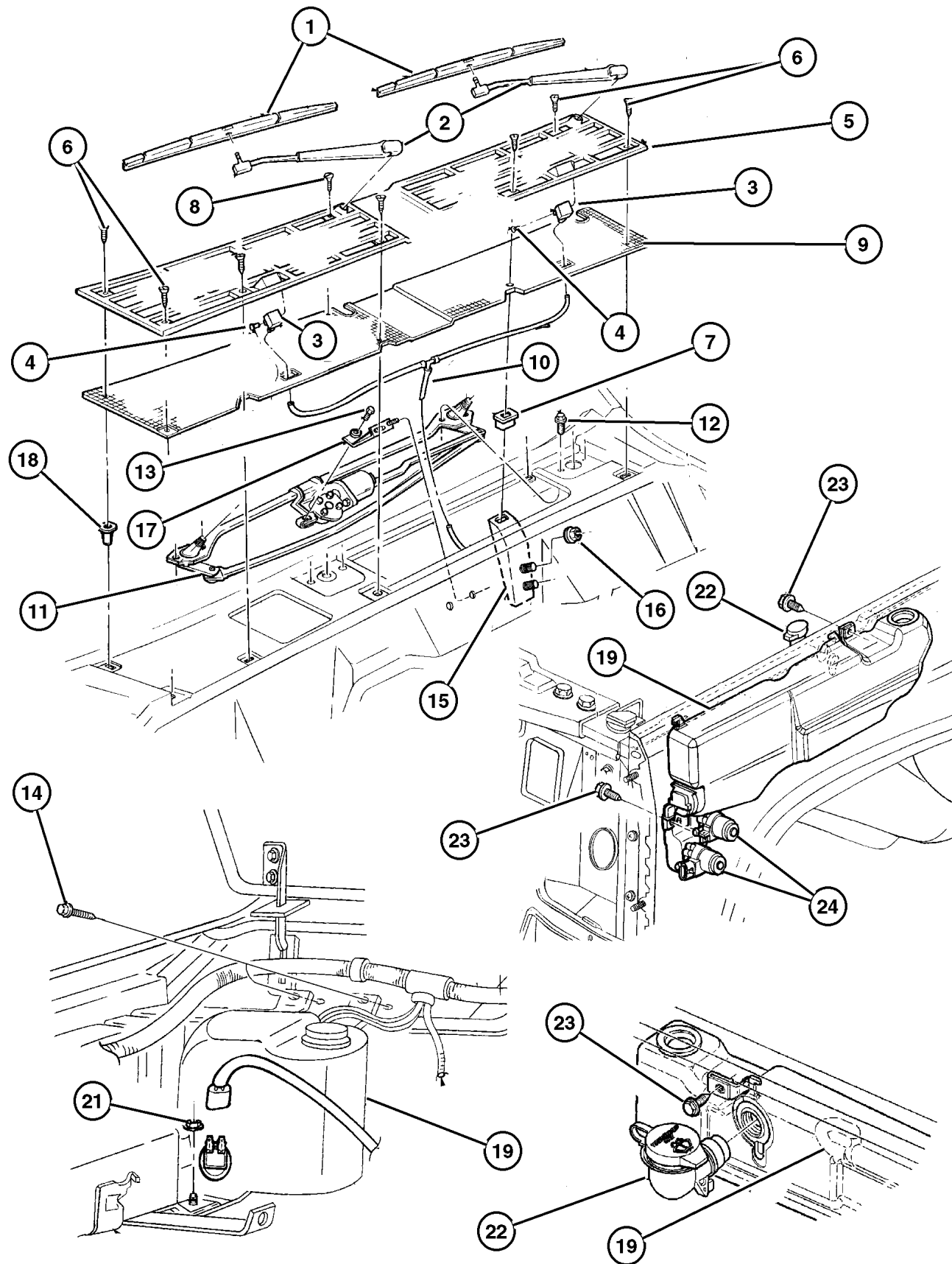
### JEEP CHEROKEE (XJ)

SERIES	LINE	BODY	ENGINE	TRANSMISSION
P=Classic	J=LHD (4WD)	74=4 Dr.(101.4WB)	ENC,EN0=2.5L 4 cyl. Turbo Die	DDD, DDQ=5 spd. Man.
S=Limited	U=RHD (4WD)	72=2 Dr.(101.4WB)	ERH,ER0=4.0L Power Tech I-6	DGS=4 spd. Auto. AISIN
H=Sport	T=LHD (2WD)		EPE,EP0=Magnum 2.5L SMPI	DG0=All Auto/Trans.
L=SE	B=RHD (2WD)			DBB=All Manual Trans.

AR = Use as required - = Non illustrated part # = New this model year

April 5, 2002

**Windshield Wiper & Washer L.H.D.  
Figure 23D-220**



ITEM	PART NUMBER	QTY	LINE	BODY	DESCRIPTION
1					BLADE, Wiper
	5515 5650	2	J, T		
	5515 5652	2	B, U		
2	5515 5649	2	J, T		ARM, Wiper
3	5600 1601	2			NOZZLE, Washer, Windshield
4	J400 4262	2			PIN, Push, .15x.41
5	#55008 832AD	1	J, T		GRILLE, Cowl Panel
6	3420 1230	7			SCREW, Round Washer Head AB
7	3420 1872	AR			NUT, Snap In, M4.2 x 1.41
8					SCREW, .164-18x.625, (NOT SERVICED)
9	5500 8833	1	J, T		SCREEN, Cowl
10	55155 041AC	1			HOSE, Windshield Washer
11	#55155 297AB	1	J, T		MOTOR, Wiper
12	3420 1496	4			SCREW, Pan Plastite, M7.25x3.18x25.00
13	3420 1686	2			BOLT, Hex Flange Head, M12x1.18x35
14	6101 786	2			SCREW, Self Tapping, M6x1x15
15	55235 370AB	1	J, T		BRACKET, Grille To Cowl Extension
16	3420 1358	2			NUT AND WASHER, Hex Nut-Sealing Washer, M6 x 1.00
17	5500 3036	1	J, T		BRACKET, Wiper Motor, w/o Grommet
18	0441 263	2			NUT, Push
19					RESERVOIR, Washer
	4778 344	1			w/Sensor
	4778 345	1			w/o Sensor
-20	5515 4979	1			SENSOR, Washer Fluid Level
21	6100 047	1			NUT AND WASHER, Hex Nut-Coned Washer, M6 x 1.00
22	55154 812AB	1			FILLER NECK AND CAP, Washer Reservoir
23	6033 567	2			BOLT AND WASHER, Hex Head, .19-16x.75
24					PUMP, Washer, Windshield
	4778 347	1			Front
	4778 348	1			Rear
-25					GROMMET, Washer Reservoir
	4778 346	1			Sensor/Pump
	4778 350	1			Filler Neck

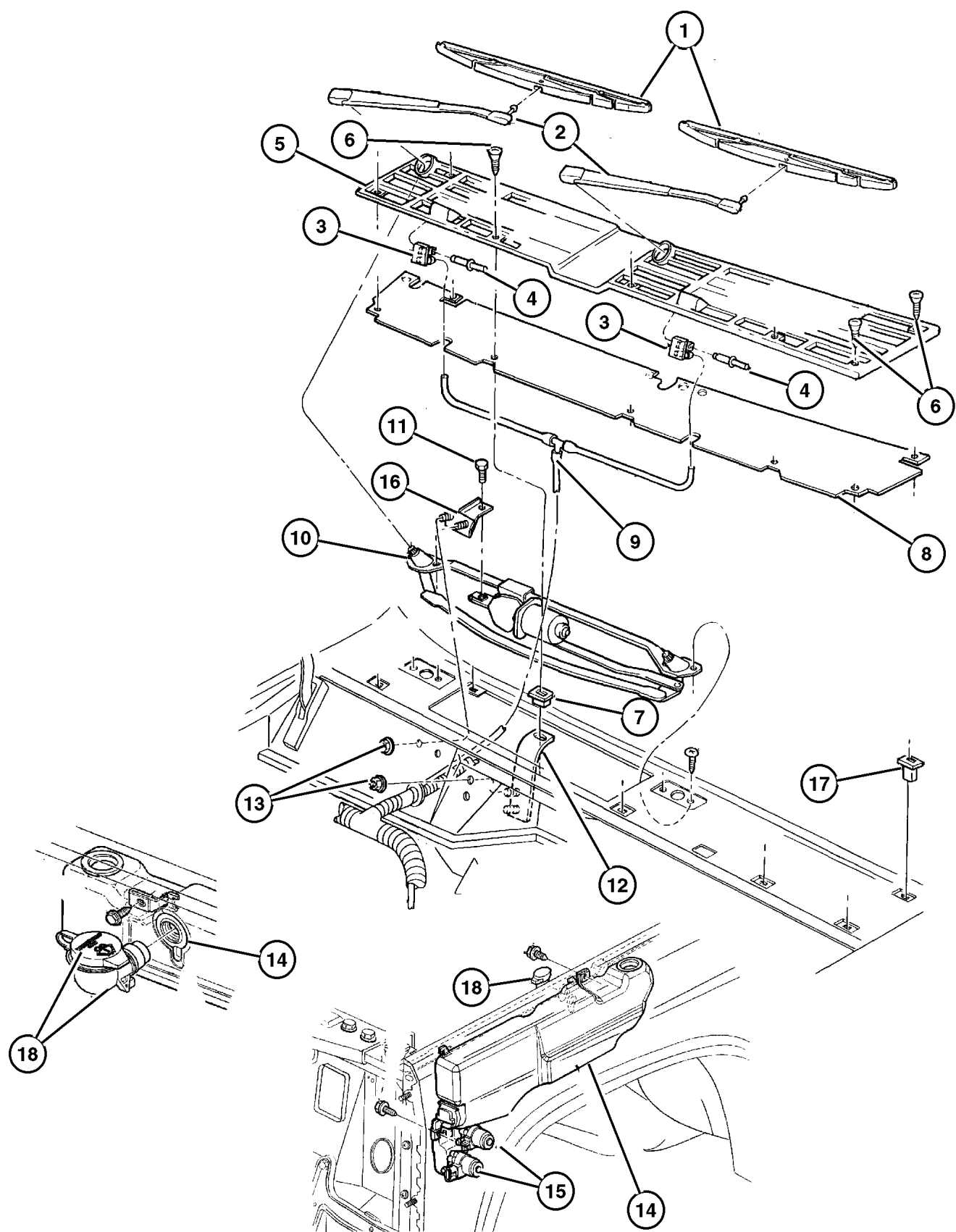
**JEEP CHEROKEE (XJ)**

SERIES	LINE	BODY	ENGINE	TRANSMISSION
P=Classic	J=LHD (4WD)	74=4 Dr.(101.4WB)	ENC,EN0=2.5L 4 cyl. Turbo Die	DDD, DDQ=5 spd. Man.
S=Limited	U=RHD (4WD)	72=2 Dr.(101.4WB)	ERH,ER0=4.0L Power Tech I-6	DGS=4 spd. Auto. AISIN
H=Sport	T=LHD (2WD)		EPE,EP0=Magnum 2.5L SMPI	DG0=All Auto/Trans.
L=SE	B=RHD (2WD)			DBB=All Manual Trans.

AR = Use as required - = Non illustrated part # = New this model year

April 5, 2002

**Windshield Wiper & Washer R.H.D.  
Figure 23D-222**



ITEM	PART NUMBER	QTY	LINE	BODY	DESCRIPTION
1	5515 5652	2	B, U		BLADE, Wiper
2	5515 5651	2	B, U		ARM, Wiper
3	5600 1601	2			NOZZLE, Washer, Windshield
4	J400 4262	2			PIN, Push, .15x.41
5	5502 7696	1	B, U		GRILLE, Cowl Panel
6	3420 1230	7			SCREW, Round Washer Head AB
7	3420 1872	AR			NUT, Snap In, M4.2 x 1.41
8	5502 7697	1	B, U		SCREEN, Cowl
9					HOSE, Windshield Washer, 0156 ID=4MM, (NOT SERVICED)
10	#55155 300AB	1	B, U		MOTOR, Wiper
11	3420 1686	2			BOLT, Hex Flange Head, M12x1.18x35
12	55235 371AB	1	B, U		BRACKET, Extension to Cowl Top
13	3420 1358	2			NUT AND WASHER, Hex Nut-Sealing Washer, M6 x 1.00
14	4778 344	1			RESERVOIR, Washer, w/Sensor
15	4778 347	1			PUMP, Washer, Windshield, w/o Sensor
16	5515 4763	1	B, U		BRACKET, Wiper Motor
17	J400 5242	5			NUT, Push
18	55154 812AB	1			FILLER NECK AND CAP, Washer Reservoir
-19	4778 346	1			GROMMET, Washer Reservoir, Sensor/Pump
-20	4778 350	1			GROMMET, Washer Reservoir, Filler Neck
-21	5515 4979	1			SENSOR, Washer Fluid Level

**JEEP CHEROKEE (XJ)**

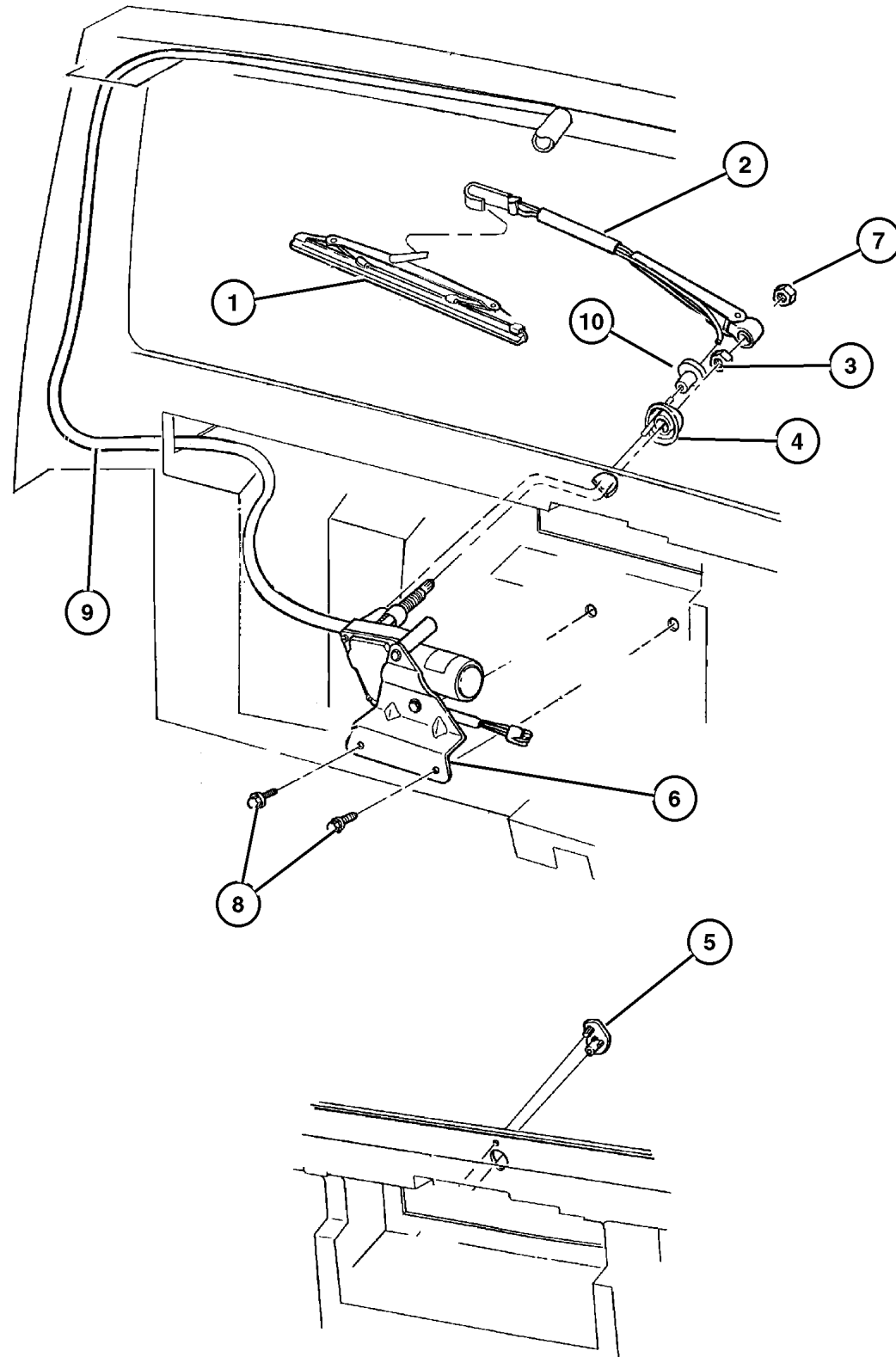
SERIES	LINE	BODY	ENGINE	TRANSMISSION
P=Classic	J=LHD (4WD)	74=4 Dr.(101.4WB)	ENC,EN0=2.5L 4 cyl. Turbo Die	DDD, DDQ=5 spd. Man.
S=Limited	U=RHD (4WD)	72=2 Dr.(101.4WB)	ERH,ER0=4.0L Power Tech I-6	DGS=4 spd. Auto. AISIN
H=Sport	T=LHD (2WD)		EPE,EP0=Magnum 2.5L SMPI	DG0=All Auto/Trans.
L=SE	B=RHD (2WD)			DBB=All Manual Trans.

AR = Use as required - = Non illustrated part # = New this model year

April 5, 2002



Rear Wiper & Washer  
Figure 23D-320



ITEM	PART NUMBER	QTY	LINE	BODY	DESCRIPTION
1	55154 920AB	1			BLADE, Wiper
2	55154 919AB	1			ARM, Wiper
3	6502 299	1			CAPS, M16x1.00
4	55154 942AB	1			BEZEL, Liftgate Wiper Motor
5	55154 939AB	1			PLUG, Liftgate
6	55154 944AB	1			MOTOR, Wiper
7	6500 165	1			NUT, Wiper Arm
8	6101 780	3			SCREW, M6x1x25
9	55155 041AC	1			HOSE, Windshield Washer
10					CLIP, Tube
	3200 0404	1	B, U		
	3420 1633	1	J, T		
-11	4778 344	1			RESERVOIR, Washer
-12	4778 348	1			PUMP, Washer, Windshield

JEEP CHEROKEE (XJ)				
SERIES	LINE	BODY	ENGINE	TRANSMISSION
P=Classic	J=LHD (4WD)	74=4 Dr.(101.4WB)	ENC,EN0=2.5L 4 cyl. Turbo Die	DDD, DDQ=5 spd. Man.
S=Limited	U=RHD (4WD)	72=2 Dr.(101.4WB)	ERH,ER0=4.0L Power Tech I-6	DGS=4 spd. Auto. AISIN
H=Sport	T=LHD (2WD)		EPE,EP0=Magnum 2.5L SMPI	DG0=All Auto/Trans.
L=SE	B=RHD (2WD)			DBB=All Manual Trans.

AR = Use as required - = Non illustrated part # = New this model year

April 5, 2002

# Group – 024

## Air Conditioning & Heater

### GROUP 24 - Air Conditioning & Heater

Illustration Title

Group-Fig. No.

#### Air Conditioner and Heater Units

Hevac Unit ..... Fig. 024-110

#### Air Conditioner and Heater Plumbing

Plumbing, Heater 2.5,4.0L Engine,LHD ..... Fig. 024-210

Plumbing, Heater 2.5,4.0L Engine, RHD ..... Fig. 024-220

Plumbing, Heater 2.5L Diesel Engine, LHD ..... Fig. 024-230

Plumbing, Heater 2.5L Diesel Engine, RHD ..... Fig. 024-240

Plumbing, Air Conditioning 2.5,4.0L Engine, LHD ..... Fig. 024-250

Plumbing, Air Conditioning 2.5L Gas Engine, RHD ..... Fig. 024-260

Plumbing, Air Conditioning, 4.0L Engine, RHD ..... Fig. 024-270

Plumbing, Air Conditioning, 2.5L Diesel Engine, LHD ..... Fig. 024-280

Plumbing, Air Conditioning, 2.5L Diesel Engine, RHD ..... Fig. 024-290

#### Air Conditioner and Heater Controls

Control, Heater and Air Conditioning ..... Fig. 024-310

#### Air Conditioning Compressor

Compressor, Air Conditioning, 2.5,4.0L Gas Engines ..... Fig. 024-410

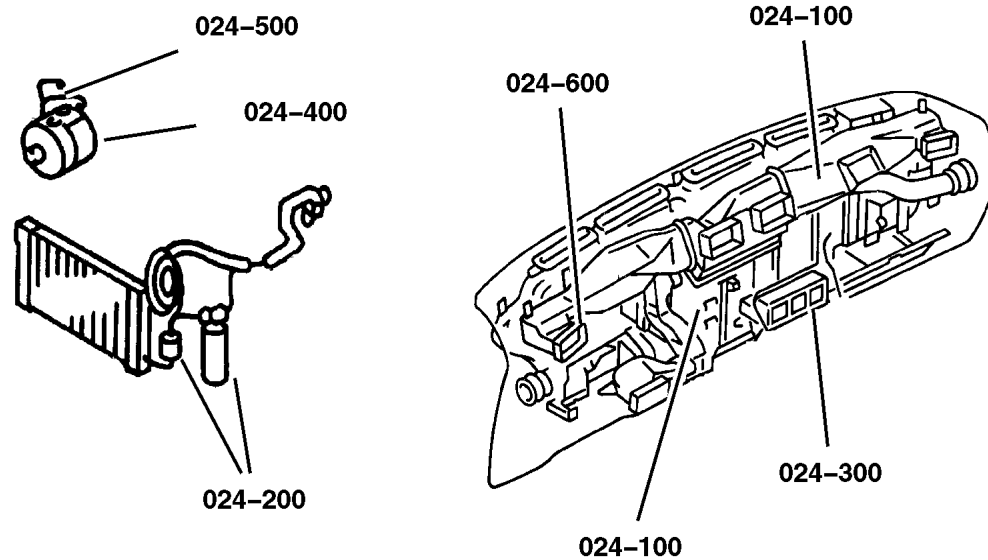
Compressor, Air Conditioning, 2.5L Diesel Engine ..... Fig. 024-415

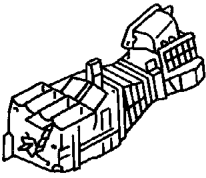
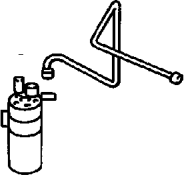
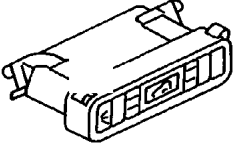
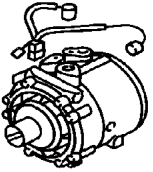
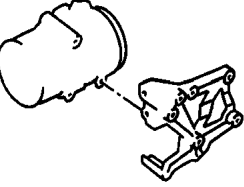
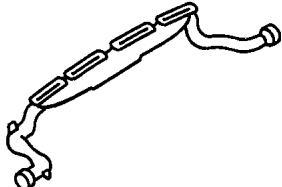
#### Air Conditioning Compressor Mounting

Compressor Mounting ..... Fig. 024-510

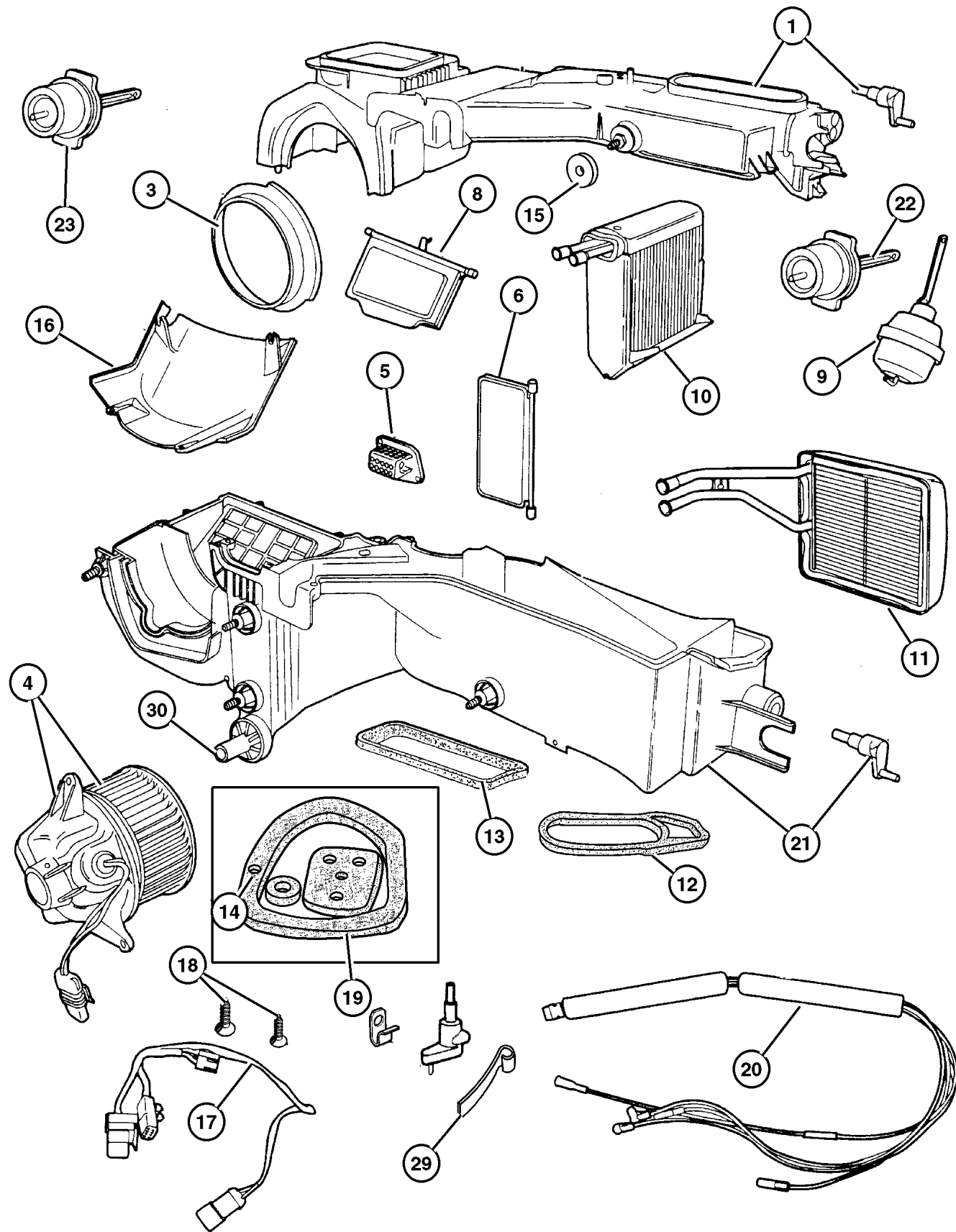
#### Air Ducts and Outlets

Air Distribution Ducts ..... Fig. 024-610



<p><b>024-100</b> Air Conditioner and Heater Units</p> 	<p><b>024-200</b> Air Conditioner and Heater Plumbing</p> 	<p><b>024-300</b> Air Conditioner and Heater Controls</p> 	<p><b>024-400</b> Air Conditioning Compressor</p> 
<p><b>024-500</b> Air Conditioning Compressor Mounting</p> 	<p><b>024-600</b> Air Ducts and Outlets</p> 		

Hevac Unit  
Figure 024-110



ITEM	PART NUMBER	QTY	LINE	BODY	ENGINE	DESCRIPTION
1						HOUSING, A/C Upper
	4864 943	1	J, T			Upper
	4864 945	1	B, U			Upper
-2						HOUSING, Heater
	4864 944	1	J, T			
	5013 739AA	1	B, U			
3						RING
	4864 951	1	J, T			
		1	B, U			
4						BLOWER
	4864 956	1	B, U			
	4886 150AA	1	J, T			
5						RESISTOR, Blower Motor
	4864 957	1	B, U			
		1	J, T			
6						DOOR, Blend Air
	4897 610AA	1	J, T			Up to 11-15-99
	4897 611AA	1	B, U			
	#5073 553AA	1	J, T			After 11-15-99
-7	5013 742AA	1	J, T			ADAPTER, Blend Door, A/C and Heater, Use on Up to 11-15-99 Blend door
8						DOOR, Fresh Air
	4864 992	1	J, T			
	4864 993	1	B, U			
9						ACTUATOR, Vacuum
	4864 994	1	J, T			Defrost Door
		1	B, U			Defrost Door
10						EVAPORATOR KIT, A/C
	4864 999AC	1	J, T			
	4874 044AC	1	B, U			
11						CORE, Heater
	4874 045	1	J, T			
	4874 046	1	B, U			
12						SEAL, Demister
	4874 063	1	J, T			
	4874 065	1	B, U			
13						SEAL, Vent
	4874 068	1	J, T			
		1	B, U			
14						SEAL KIT, A/C And Heater Unit
	4874 069AB	1	J, T			with Air Conditioning
	4874 070AB	1	B, U			with Air Conditioning

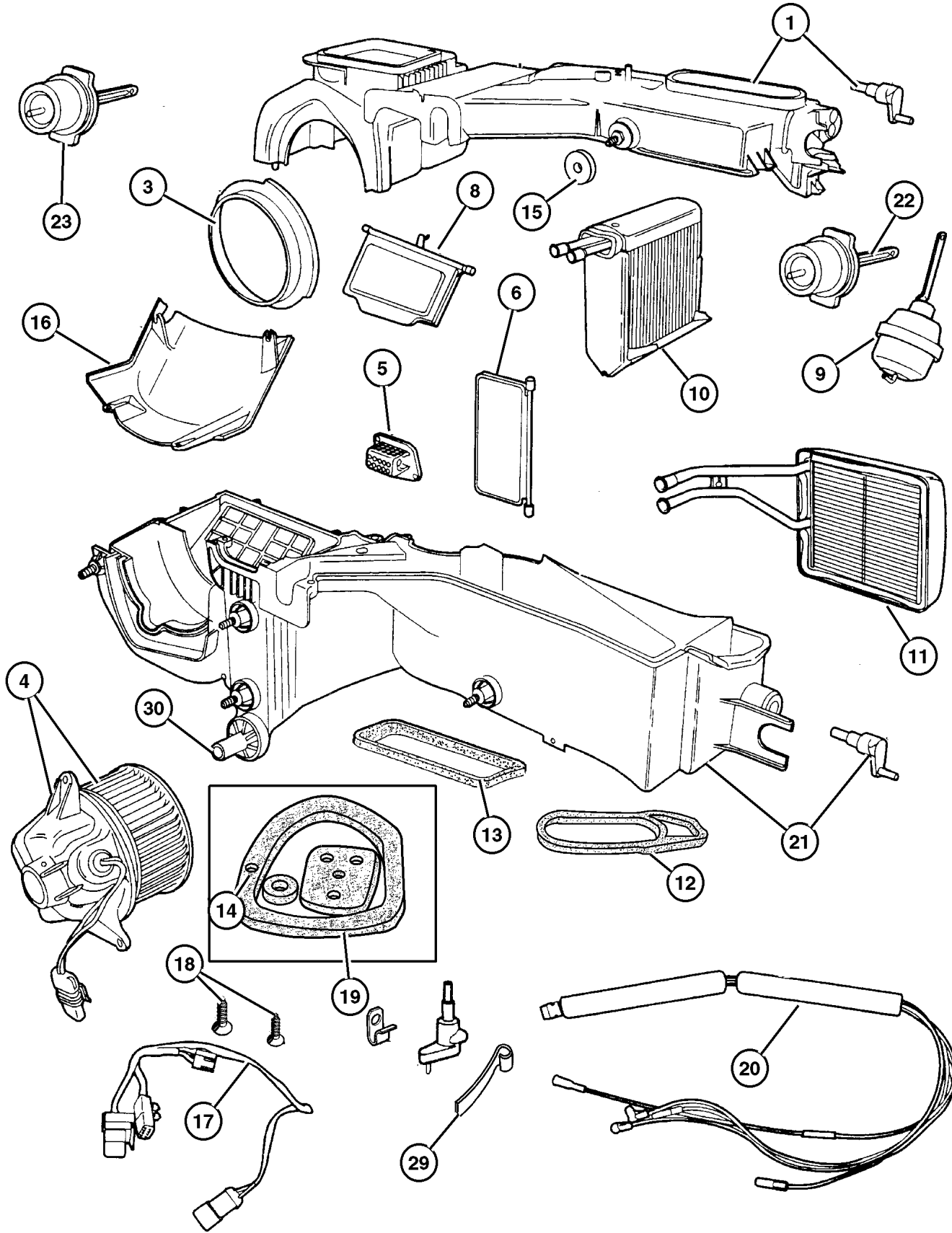
JEEP CHEROKEE (XJ)

SERIES	LINE	BODY	ENGINE	TRANSMISSION
P=Classic	J=LHD (4WD)	74=4 Dr.(101.4WB)	ENC,EN0=2.5L 4 cyl. Turbo Die	DDD, DDQ=5 spd. Man.
S=Limited	U=RHD (4WD)	72=2 Dr.(101.4WB)	ERH,ER0=4.0L Power Tech I-6	DGS=4 spd. Auto. AISIN
H=Sport	T=LHD (2WD)		EPE,EP0=Magnum 2.5L SMPI	DG0=All Auto/Trans.
L=SE	B=RHD (2WD)			DBB=All Manual Trans.

AR = Use as required - = Non illustrated part # = New this model year

April 5, 2002

Hevac Unit  
Figure 024-110



ITEM	PART NUMBER	QTY	LINE	BODY	ENGINE	DESCRIPTION
	4874 071AB	1	J, T			without Air Conditioning
	4874 072AB	1	B, U			without Air Conditioning
15	5500 5519	1				WASHER, Sealing
16						COVER, Recirculating Valve
	4874 078	1	J, T			
	4874 079	1	B, U			
17						WIRING, Air Conditioning Module
	5013 744AA	1	J, T			
		1	B, U			
18						SCREW, Hex Head, M4.8-1.59x19
	4734 227	15	J, T			
		15	B, U			
19						CLIP, A/C Heater Housing
	4644 388	4	J, T			
		4	B, U			
20						HARNES, Heater Vacuum, (NOT REQUIRED)
21						HOUSING, A/C Lower
	5013 735AA	1	J, T			
	5013 738AA	1	B, U			
22						ACTUATOR, Vacuum
	4864 995	1	J, T			
		1	B, U			
23						ACTUATOR, Vacuum
	4864 996	1	J, T			Recirculating Door
		1	B, U			Recirculating Door
-24						ACTUATOR, Blend Door
	5013 741AA	1	J, T			
		1	B, U			
-25						ADAPTER, Blend Door, A/C and Heater
	5013 742AA	1	J, T			
	5013 743AA	1	B, U			
-26						WIRING, Air Conditioning Module
	5013 744AA	1	J, T			
		1	B, U			
-27	5013 745AA	1	J, T			BRACKET, Blend Door Adapter, A/C and Heater
-28	5014 108AA	1	J, T			LEVER, Defroster Door
29						SPRING, A/C Heater Mode Door, (NOT REQUIRED)
30	56000 724AB	1				TUBE, Evaporator Housing

JEEP CHEROKEE (XJ)

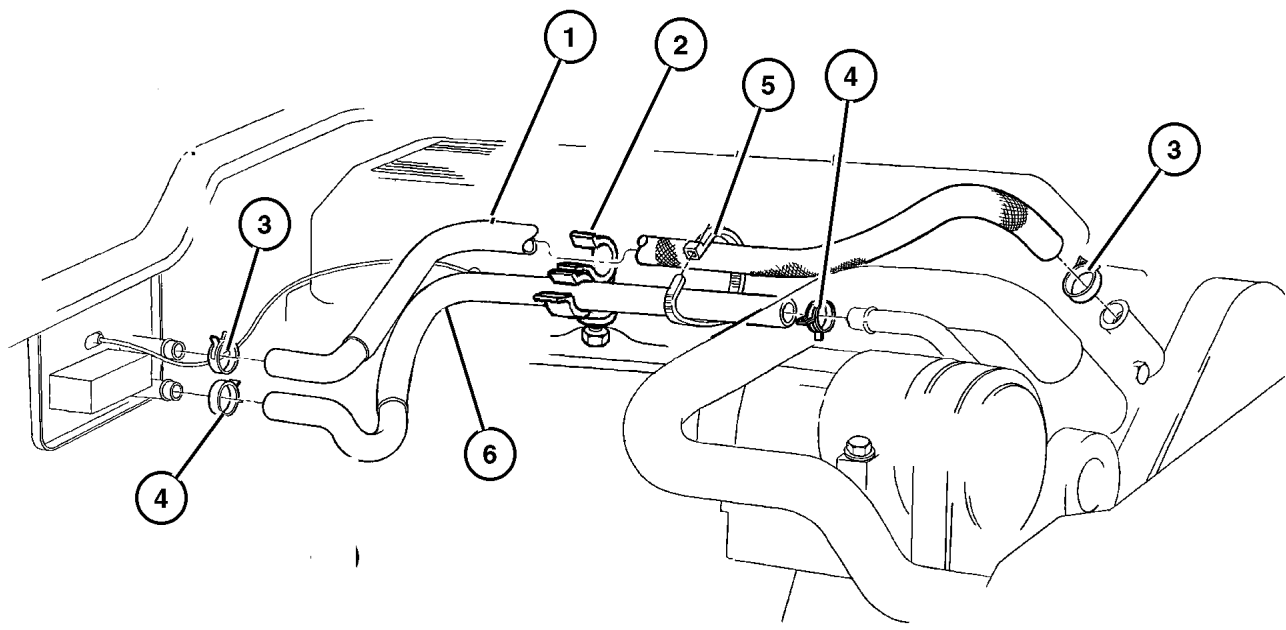
SERIES	LINE	BODY	ENGINE	TRANSMISSION
P=Classic	J=LHD (4WD)	74=4 Dr.(101.4WB)	ENC,EN0=2.5L 4 cyl. Turbo Die	DDD, DDQ=5 spd. Man.
S=Limited	U=RHD (4WD)	72=2 Dr.(101.4WB)	ERH,ER0=4.0L Power Tech I-6	DGS=4 spd. Auto. AISIN
H=Sport	T=LHD (2WD)		EPE,EP0=Magnum 2.5L SMPI	DG0=All Auto/Trans.
L=SE	B=RHD (2WD)			DBB=All Manual Trans.

AR = Use as required - = Non illustrated part # = New this model year

April 5, 2002

**Plumbing, Heater 2.5,4.0L Engine,LHD**  
**Figure 024-210**

ITEM	PART NUMBER	QTY	LINE	BODY	ENGINE	DESCRIPTION
Note: Sales Code EP0 = 2.5L Gas Engine nsmission						
Note: Sales Code ER0 = 4.0L Engine nsmission						
1						HOSE, Heater Supply
	55036 925AC	1	J, T		EP0	
	55037 326AC	1	J, T		ER0	
2	55035 933AB	1	J, T		EP0, ER0	BRACKET, Hose
3	6502 018	1			EN0	CLAMP, Hose, M28.9 x 1.60
4	6502 017	1	J, T		EP0	CLAMP, Heater Hose
5	4641 780	2				STRAP, Tie
6	55036 926AC	1	J, T		EP0	HOSE, Heater Return



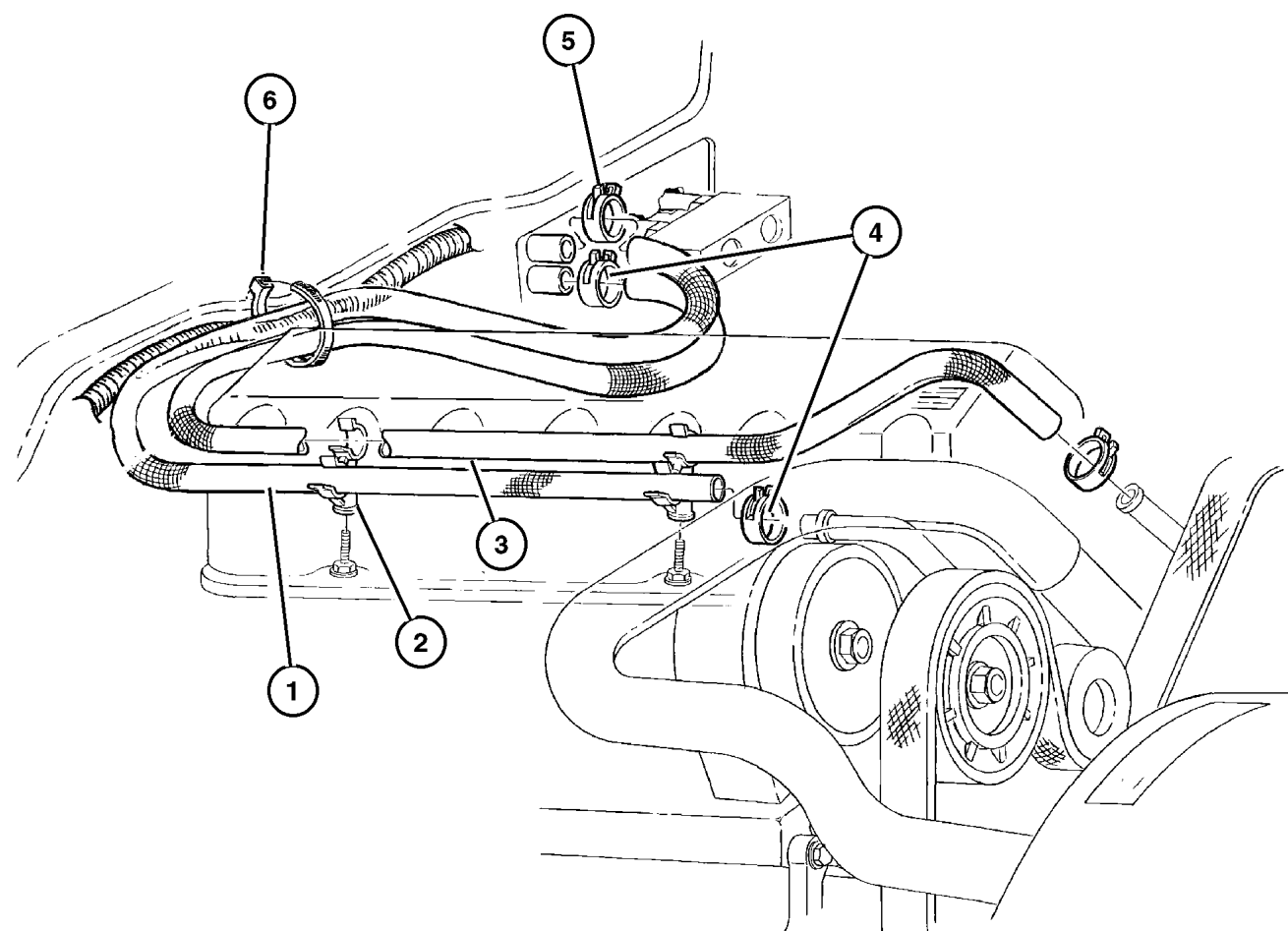
JEEP CHEROKEE (XJ)				
SERIES	LINE	BODY	ENGINE	TRANSMISSION
P=Classic	J=LHD (4WD)	74=4 Dr.(101.4WB)	ENC,EN0=2.5L 4 cyl. Turbo Die	DDD, DDQ=5 spd. Man.
S=Limited	U=RHD (4WD)	72=2 Dr.(101.4WB)	ERH,ER0=4.0L Power Tech I-6	DGS=4 spd. Auto. AISIN
H=Sport	T=LHD (2WD)		EPE,EP0=Magnum 2.5L SMPI	DG0=All Auto/Trans.
L=SE	B=RHD (2WD)			DBB=All Manual Trans.

AR = Use as required - = Non illustrated part # = New this model year

April 5, 2002

**Plumbing, Heater 2.5,4.0L Engine, RHD**  
**Figure 024-220**

ITEM	PART NUMBER	QTY	LINE	BODY	ENGINE	DESCRIPTION
Note: Sales Code EP0 = 2.5L Gas Engine nsmission						
Note: Sales Code ER0 = 4.0L Engine nsmission						
1						HOSE, Heater Return
	55037 333AC	1	B, U		ER0	
	55037 334AC	1	B, U		EP0	
2	55035 933AB	2	B, U		EP0, ER0	BRACKET, Hose
3						HOSE, Heater Supply
	55037 268AC	1	B, U		EP0	
	55037 269AC	1	B, U		ER0	
4						CLAMP, Heater Hose
	6502 017	2	B, U		EP0	
		2	B, U		ER0	
5	6502 018	1			EN0	CLAMP, Hose, M28.9 x 1.60
6	4641 780	1				STRAP, Tie



JEEP CHEROKEE (XJ)				
SERIES	LINE	BODY	ENGINE	TRANSMISSION
P=Classic	J=LHD (4WD)	74=4 Dr.(101.4WB)	ENC,EN0=2.5L 4 cyl. Turbo Die	DDD, DDQ=5 spd. Man.
S=Limited	U=RHD (4WD)	72=2 Dr.(101.4WB)	ERH,ER0=4.0L Power Tech I-6	DGS=4 spd. Auto. AISIN
H=Sport	T=LHD (2WD)		EPE,EP0=Magnum 2.5L SMPI	DG0=All Auto/Trans.
L=SE	B=RHD (2WD)			DBB=All Manual Trans.

AR = Use as required - = Non illustrated part # = New this model year

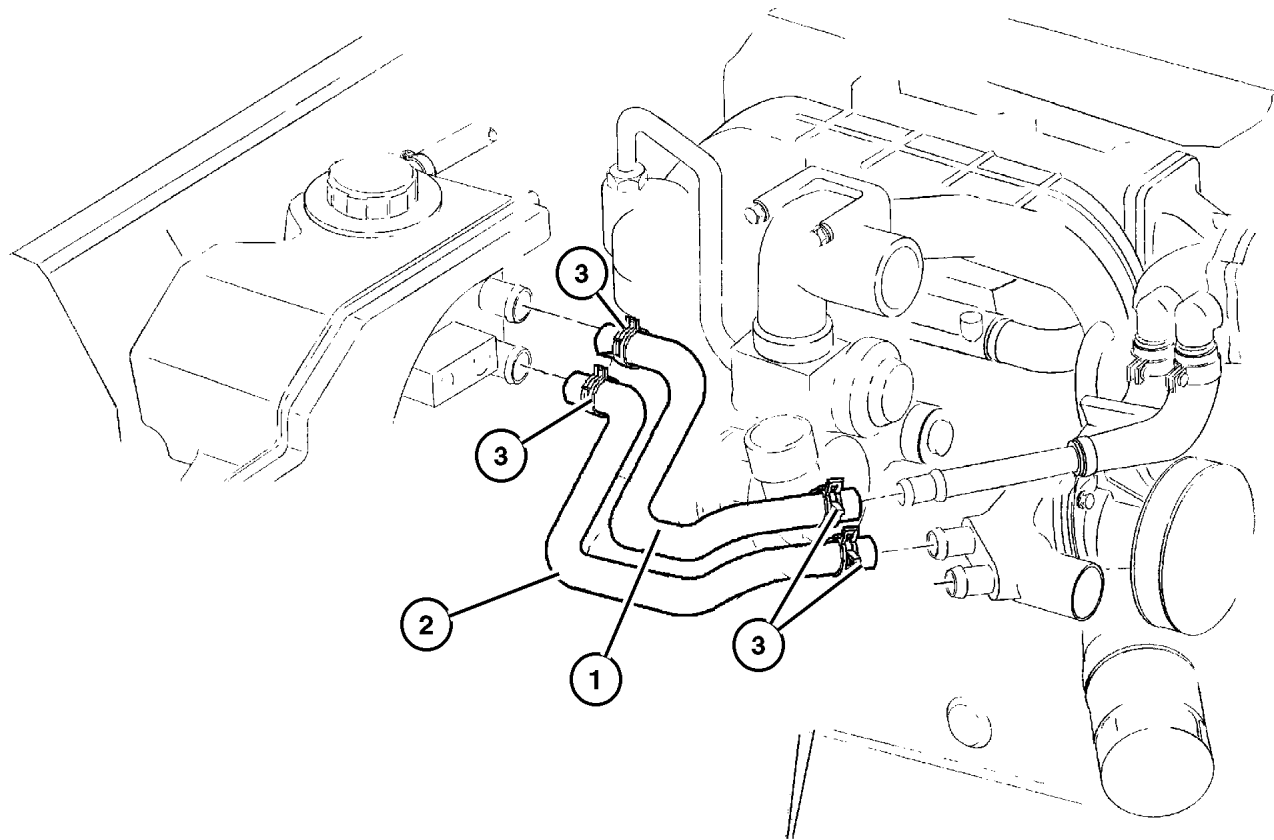
April 5, 2002

**Plumbing, Heater 2.5L Diesel Engine, LHD**  
**Figure 024-230**

ITEM	PART NUMBER	QTY	LINE	BODY	ENGINE	DESCRIPTION
------	-------------	-----	------	------	--------	-------------

Note: Sales Code EN0 = 2.5L Diesel Engine nsmission

1	5503 7301	1	J, T		EN0	HOSE, Heater Supply
2	5503 7319	1	J, T		EN0	HOSE, Heater Return
3	6502 017	2	B, U		EN0	CLAMP, Heater Hose



JEEP CHEROKEE (XJ)				
SERIES	LINE	BODY	ENGINE	TRANSMISSION
P=Classic	J=LHD (4WD)	74=4 Dr.(101.4WB)	ENC,EN0=2.5L 4 cyl. Turbo Die	DDD, DDQ=5 spd. Man.
S=Limited	U=RHD (4WD)	72=2 Dr.(101.4WB)	ERH,ER0=4.0L Power Tech I-6	DGS=4 spd. Auto. AISIN
H=Sport	T=LHD (2WD)		EPE,EP0=Magnum 2.5L SMPI	DG0=All Auto/Trans.
L=SE	B=RHD (2WD)			DBB=All Manual Trans.

AR = Use as required - = Non illustrated part # = New this model year

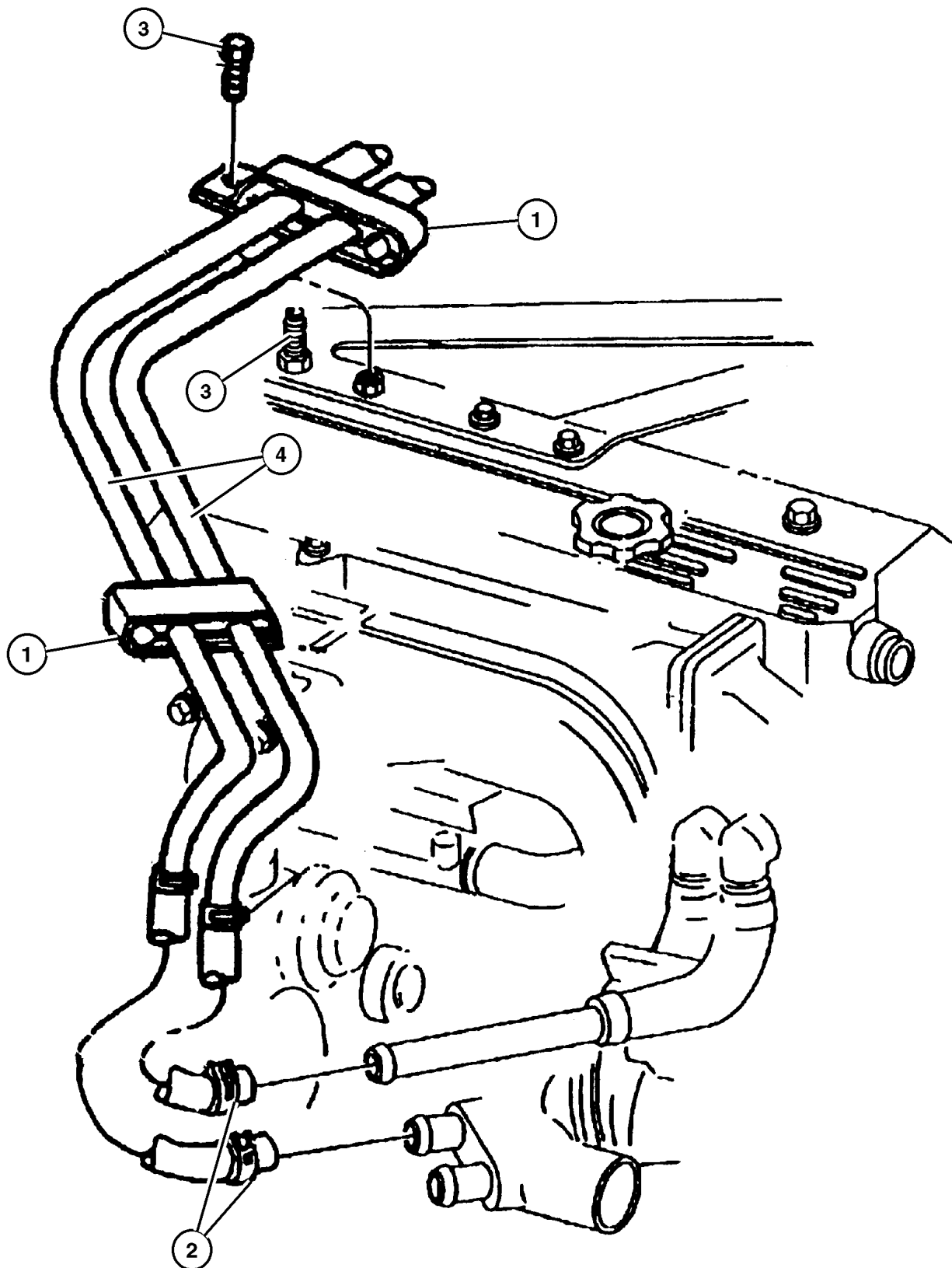
April 5, 2002

Plumbing, Heater 2.5L Diesel Engine, RHD  
Figure 024-240

ITEM	PART NUMBER	QTY	LINE	BODY	ENGINE	DESCRIPTION
------	-------------	-----	------	------	--------	-------------

Note: Sales Code EN0 = 2.5L Diesel Engine nsmission

1	5200 1603	1	J, T		ENC	CLIP, Heater Hose
2	4883 924AA	4			EN0	CLAMP, Heater Hose
3						SCREW, (NOT SERVICED)
4	52129 121AB	1	B, U		EN0	HOSE AND TUBE, Heater Supply And Return



JEEP CHEROKEE (XJ)

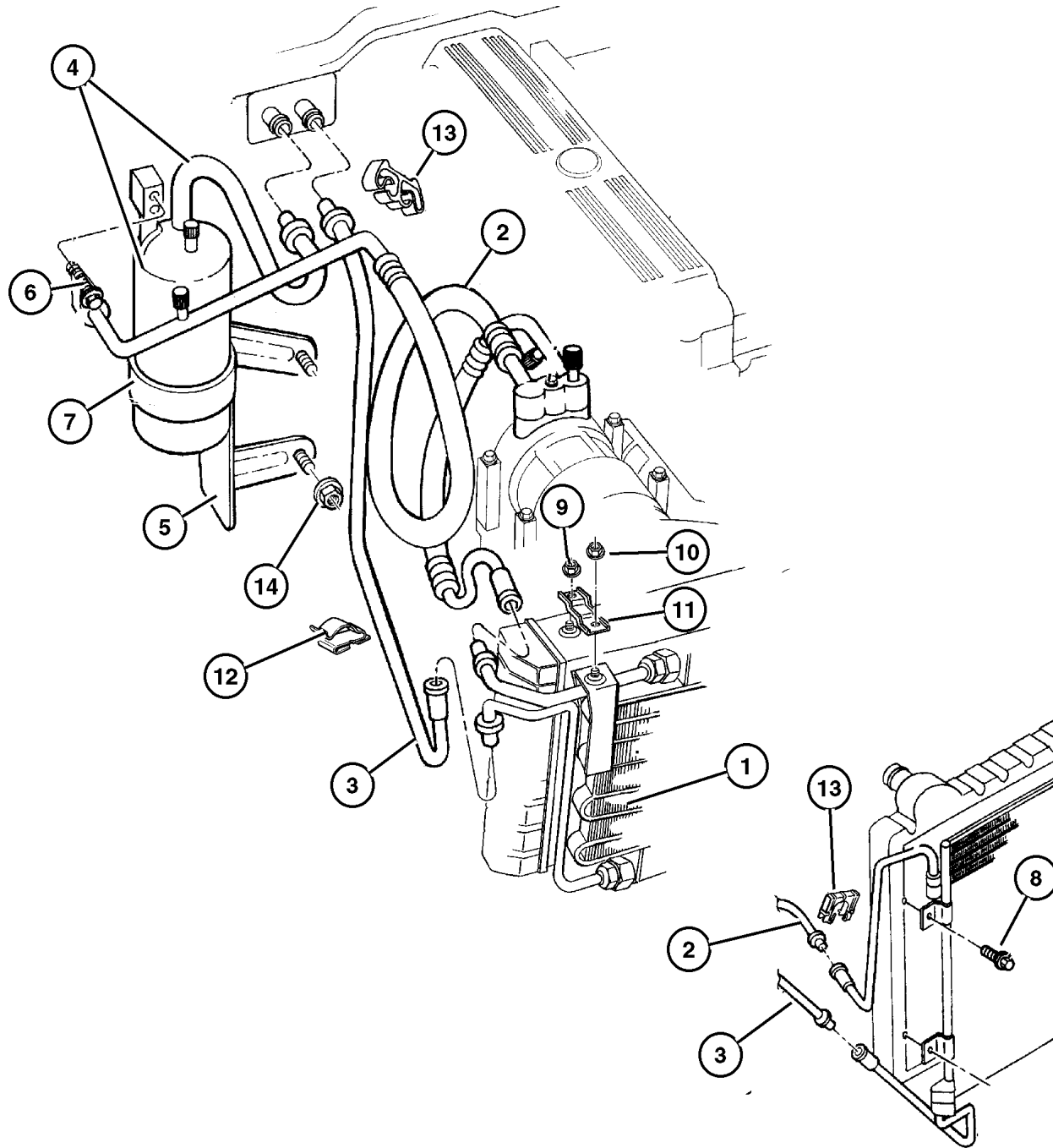
SERIES	LINE	BODY	ENGINE	TRANSMISSION
P=Classic	J=LHD (4WD)	74=4 Dr.(101.4WB)	ENC,EN0=2.5L 4 cyl. Turbo Die	DDD, DDQ=5 spd. Man.
S=Limited	U=RHD (4WD)	72=2 Dr.(101.4WB)	ERH,ER0=4.0L Power Tech I-6	DGS=4 spd. Auto. AISIN
H=Sport	T=LHD (2WD)		EPE,EP0=Magnum 2.5L SMPI	DG0=All Auto/Trans.
L=SE	B=RHD (2WD)			DBB=All Manual Trans.

AR = Use as required - = Non illustrated part # = New this model year

April 5, 2002



**Plumbing, Air Conditioning 2.5,4.0L Engine, LHD  
Figure 024-250**



ITEM	PART NUMBER	QTY	LINE	BODY	ENGINE	DESCRIPTION
Note: Sales Code EP0 = 2.5L Gas Engine nsmission						
Note: Sales Code ER0 = 4.0L Engine nsmission						
1	55036 595AD	1	J, T		EP0, ER0	CONDENSER, A/C
	55037 434AA	1	B, U		EP0, ER0	
2	55037 492AA	1	J, T		EP0	LINE, A/C Suction & Discharge
	#55037 570AA	1	J, T		ER0	
3	55036 632AC	1	J, T		ER0	LINE, A/C Liquid
	55037 218AC	1	B, U		ER0	
	55037 495AA	1	B, U		EP0	Evaporator Out
	55037 496AA	1	B, U		EP0	Evaporator In
	55037 554AA	1	J, T		EP0	
4						ACCUMULATOR, Suction Line
	55036 630AD	1	J, T		EP0	
	#55037 569AB	1	J, T		ER0	
	55036 649AC	1	B, U		EN0, ER0	
	55037 479AB	1	B, U		EP0	
5	5503 6619	1	J, T		EP0, ER0	BRACKET, Accumulator
6	1150 2628	8				BOLT, Hex Flange Head, M8x1.25x30
7	55037 431AB	1	J, T		EP0, ER0	BAND, Accumulator Retaining
8						BOLT AND CONED WASHER, Hex Head, M8x30x20, (NOT SERVICED)
9	6503 226	4				NUT, Hex Flange, M5x.8
10	6100 814	2				NUT, Hex, M6
11	5600 2231	2				BRACKET, Radiator to Condenser
12	5503 7289	1			ER0	CLIP, A/C Liquid Line
13						CLIP, A/C Quick Disconnect
	4596 152	2			EP0	Suction Liquid Line
	4596 153	1				Discharge Line
14	6504 997AA	3	J, T			SCREW
-15	4740 401	2	B, U		EP0	O RING, A/C Suction Line
-16						O RING, A/C Liquid Line
	4741 705	2	J, T		ER0	
		2	J, T		EP0	
		4	B, U		EP0	
-17						SWITCH, A/C High Pressure Cut Off

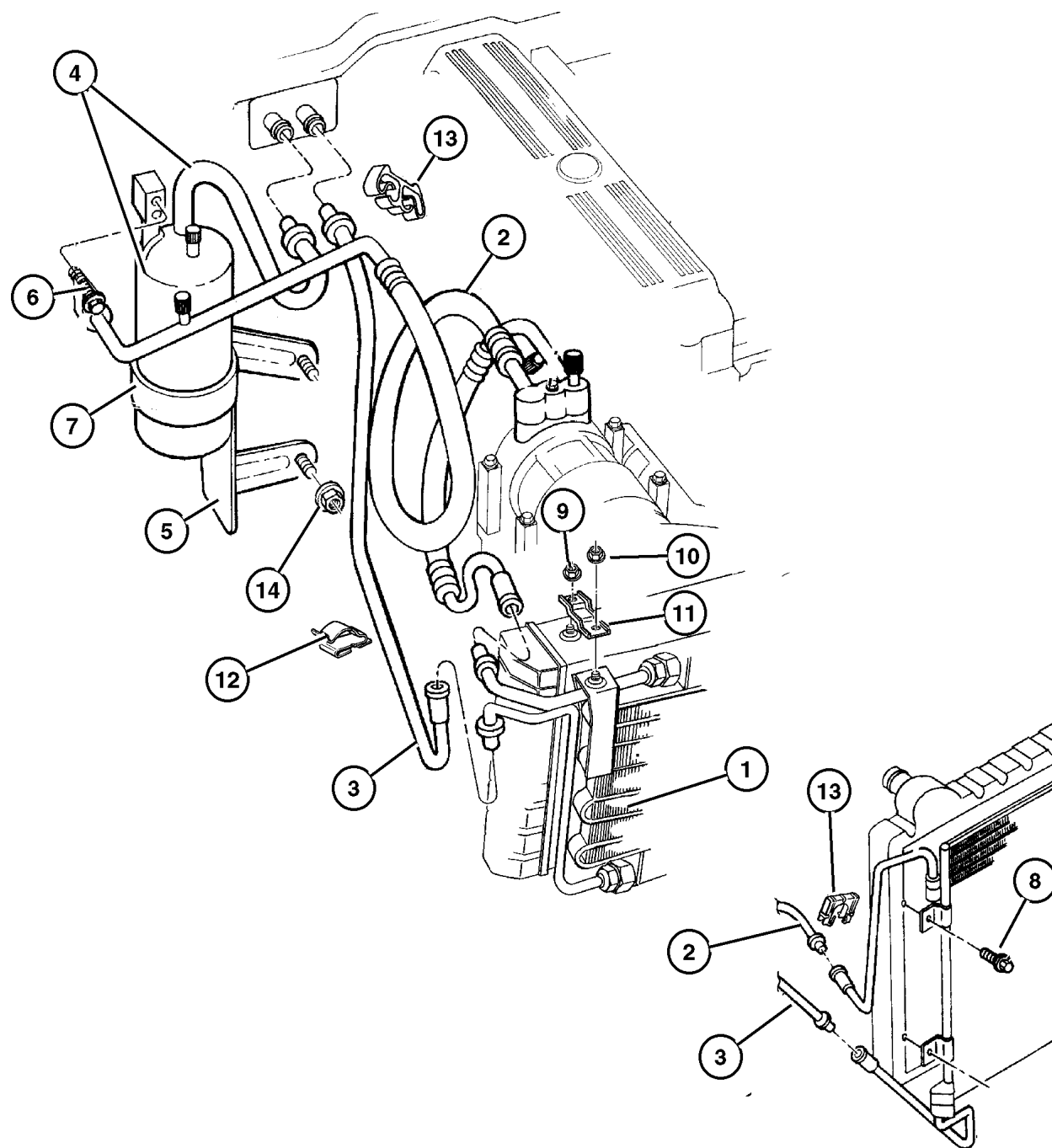
**JEEP CHEROKEE (XJ)**

SERIES	LINE	BODY	ENGINE	TRANSMISSION
P=Classic	J=LHD (4WD)	74=4 Dr.(101.4WB)	ENC,EN0=2.5L 4 cyl. Turbo Die	DDD, DDQ=5 spd. Man.
S=Limited	U=RHD (4WD)	72=2 Dr.(101.4WB)	ERH,ER0=4.0L Power Tech I-6	DGS=4 spd. Auto. AISIN
H=Sport	T=LHD (2WD)		EPE,EP0=Magnum 2.5L SMPI	DG0=All Auto/Trans.
L=SE	B=RHD (2WD)			DBB=All Manual Trans.

AR = Use as required - = Non illustrated part # = New this model year

April 5, 2002

**Plumbing, Air Conditioning 2.5,4.0L Engine, LHD**  
**Figure 024-250**



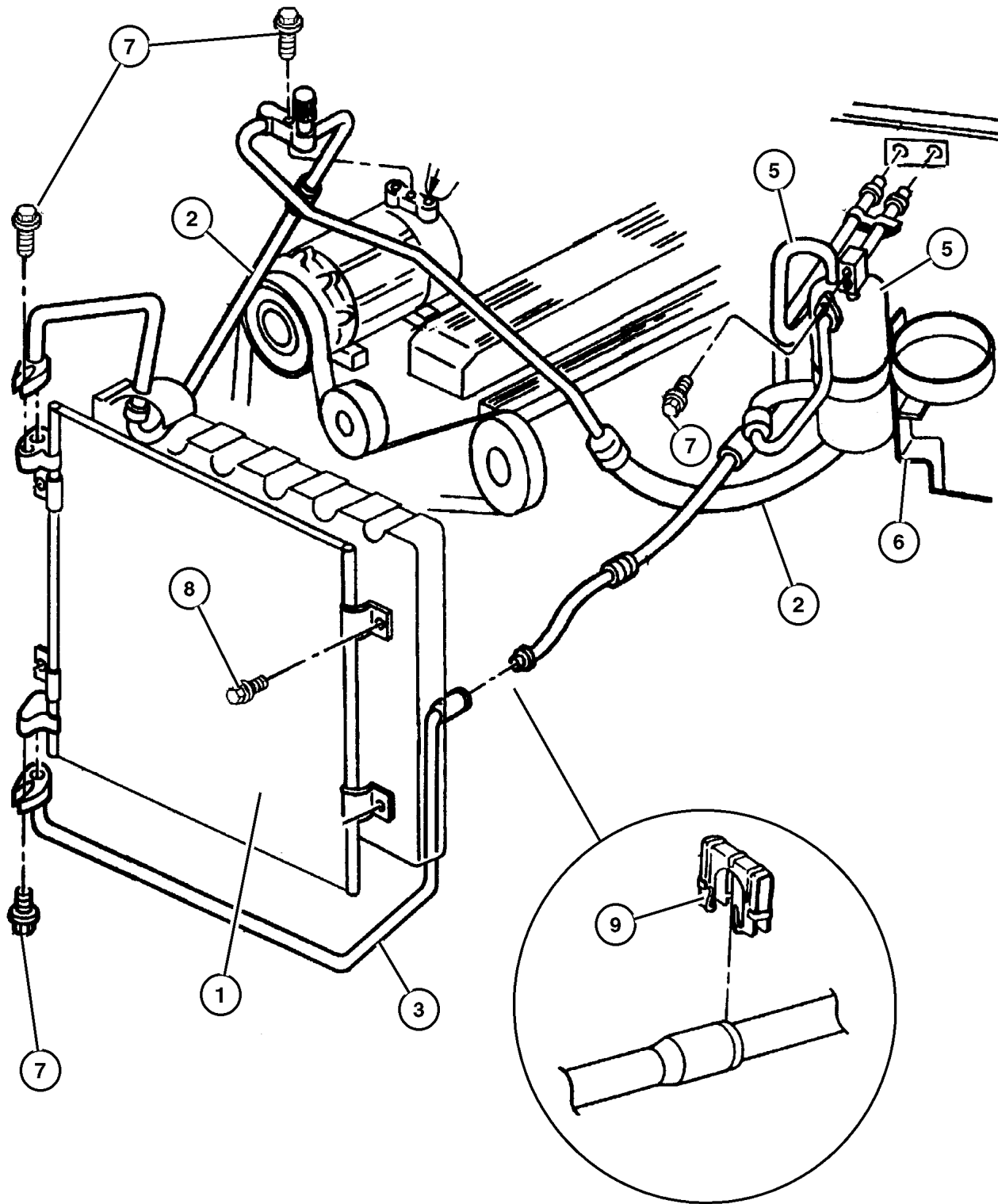
ITEM	PART NUMBER	QTY	LINE	BODY	ENGINE	DESCRIPTION
	4897 617AA	1	J, T		EPO	
	#5015 792AA	1	J, T		ERO	
-18	5015 872AA	1	J, T		EPO, ERO	SWITCH, A/C Low Pressure Cut Off
-19	4882 334	1	J, T		EPO	VALVE, A/C Discharge Line Check
-20	4882 335	1	J, T		EPO	CAP, A/C Check Valve
-21						VALVE CORE, Service Port, (NOT SERVICED)
-22	4728 856	1	J, T		EPO	SPRING, Quick Disconnect
-23						ORIFICE, Liquid Line
	5503 6182	1	B, U		ERO	
		1	J, T		EPO	

JEEP CHEROKEE (XJ)				
SERIES	LINE	BODY	ENGINE	TRANSMISSION
P=Classic	J=LHD (4WD)	74=4 Dr.(101.4WB)	ENC,EN0=2.5L 4 cyl. Turbo Die	DDD, DDQ=5 spd. Man.
S=Limited	U=RHD (4WD)	72=2 Dr.(101.4WB)	ERH,ER0=4.0L Power Tech I-6	DGS=4 spd. Auto. AISIN
H=Sport	T=LHD (2WD)		EPE,EP0=Magnum 2.5L SMPI	DG0=All Auto/Trans.
L=SE	B=RHD (2WD)			DBB=All Manual Trans.

AR = Use as required - = Non illustrated part # = New this model year

April 5, 2002

**Plumbing, Air Conditioning 2.5L Gas Engine, RHD**  
**Figure 024-260**



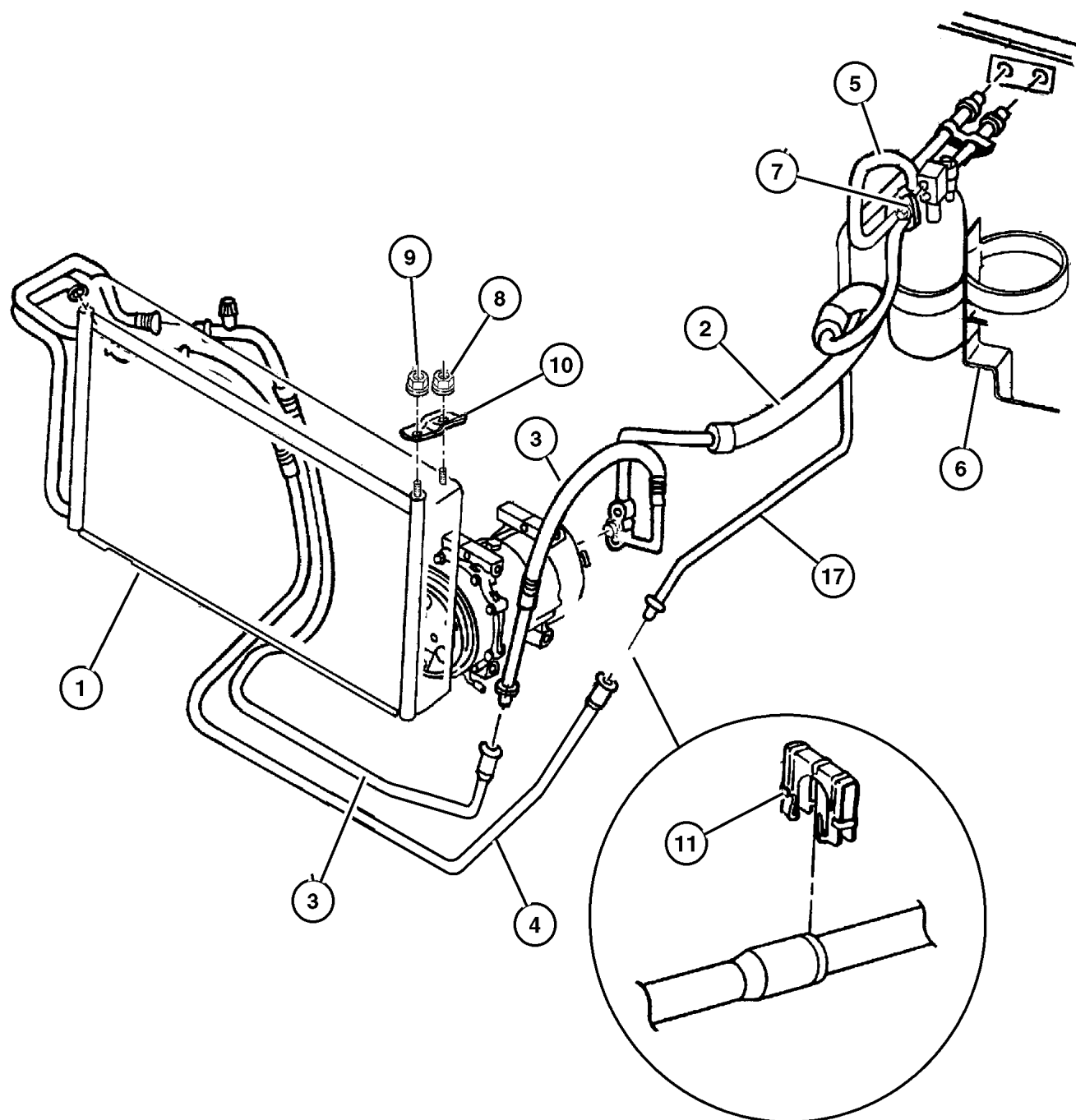
ITEM	PART NUMBER	QTY	LINE	BODY	ENGINE	DESCRIPTION
Note: Sales Code EP0 = 2.5L Gas Engine nsmission						
1	55036 595AD	1	J, T		EP0, ERO	CONDENSER, A/C
2	55037 493AA	1	B, U		EP0	LINE, A/C Suction & Discharge
3	55037 495AA	1	B, U		EP0	LINE, A/C Liquid
-4	5003 563AA	1	B, U		EP0	BRACKET, A/C Line
5	55037 479AB	1	B, U		EP0	ACCUMULATOR, Suction Line
6	55036 620AD	1	B, U		EP0	BRACKET, Accumulator
7	1150 2628	2				BOLT, Hex Flange Head, M8x1.25x30
8						BOLT AND CONED WASHER, Hex Head, M8x30x20, (NOT SERVICED)
9						CLIP, A/C Quick Disconnect
	4596 152	2			EP0	Discharge Line
	4596 153	1				Suction Liquid Line
-10	4897 617AA	1	B, U		EP0	SWITCH, A/C High Pressure Cut Off
-11	4740 401	2	B, U		EP0	O RING, A/C Suction Line
-12	4882 334	1	B, U		EP0	VALVE, A/C Discharge Line Check
-13	4882 335	1	B, U		EP0	CAP, A/C Check Valve
-14	4761 737	2	B, U		EP0	O RING, A/C Suction Line
-15						VALVE CORE, Service Port, (NOT SERVICED)
-16	4728 856	1	B, U		EP0	SPRING, Quick Disconnect
-17	4741 705	2	B, U		EP0	O RING, A/C Liquid Line

JEEP CHEROKEE (XJ)				
SERIES	LINE	BODY	ENGINE	TRANSMISSION
P=Classic	J=LHD (4WD)	74=4 Dr.(101.4WB)	ENC,EN0=2.5L 4 cyl. Turbo Die	DDD, DDQ=5 spd. Man.
S=Limited	U=RHD (4WD)	72=2 Dr.(101.4WB)	ERH,ER0=4.0L Power Tech I-6	DGS=4 spd. Auto. AISIN
H=Sport	T=LHD (2WD)		EPE,EP0=Magnum 2.5L SMPI	DG0=All Auto/Trans.
L=SE	B=RHD (2WD)			DBB=All Manual Trans.

AR = Use as required - = Non illustrated part # = New this model year

April 5, 2002

**Plumbing, Air Conditioning, 4.0L Engine, RHD**  
**Figure 024-270**



ITEM	PART NUMBER	QTY	LINE	BODY	ENGINE	DESCRIPTION
Note: Sales Code ER0 = 4.0L Engine nsmission						
1	55037 434AA	1	B, U		EP0, ER0	CONDENSER, A/C
2	#55037 748AA	1	B, U		ER0	LINE, A/C Suction & Discharge
3	#55037 559AA	1	B, U		ER0	LINE, A/C Discharge
4	55036 633AC	1	B, U		ER0	LINE, A/C Liquid
5	55036 649AC	1	B, U		EN0, ER0	ACCUMULATOR, Suction Line
6	55036 620AD	1	B, U		ER0	BRACKET, Accumulator
7	1150 2628	2				BOLT, Hex Flange Head, M8x1.25x30
8	1150 2722	2			EN0, ER0	NUT, Hex Flange, M5x.8
9	6100 814	2				NUT, Hex, M6
10	5600 2231	2				BRACKET, Radiator to Condenser
11						CLIP, A/C Quick Disconnect
	4596 152	4	B, U		ER0	Discharge Line
	4596 153	1				Suction Liquid Line
-12	#5015 792AA	1	B, U		ER0	SWITCH, A/C High Pressure Cut Off
-13	4796 667	2	B, U		ER0	O RING, A/C Suction Line
-14	4723 029	2	B, U		ER0	VALVE, A/C Discharge Line Check
-15	5264 642	2	B, U		ER0	CAP, A/C Check Valve
-16						VALVE CORE, Service Port, (NOT SERVICED)
17	55036 632AC	1	J, T		ER0	LINE, A/C Liquid
-18	5503 7347	1	B, U		ER0	JUNCTION BLOCK, Air Conditioning Lines

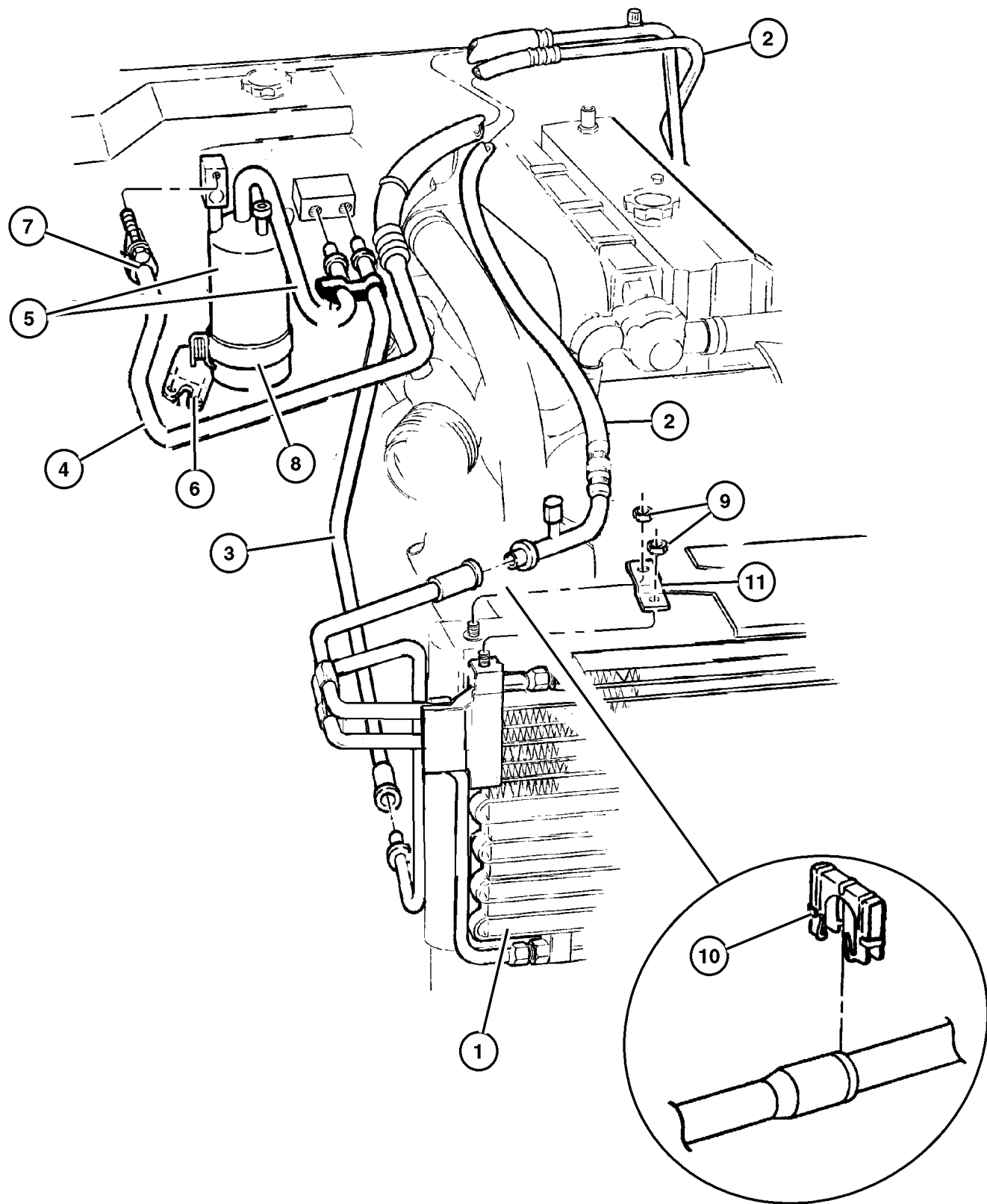
**JEEP CHEROKEE (XJ)**

SERIES	LINE	BODY	ENGINE	TRANSMISSION
P=Classic	J=LHD (4WD)	74=4 Dr.(101.4WB)	ENC,EN0=2.5L 4 cyl. Turbo Die	DDD, DDQ=5 spd. Man.
S=Limited	U=RHD (4WD)	72=2 Dr.(101.4WB)	ERH,ER0=4.0L Power Tech I-6	DGS=4 spd. Auto. AISIN
H=Sport	T=LHD (2WD)		EPE,EP0=Magnum 2.5L SMPI	DG0=All Auto/Trans.
L=SE	B=RHD (2WD)			DBB=All Manual Trans.

AR = Use as required - = Non illustrated part # = New this model year

April 5, 2002

Plumbing, Air Conditioning, 2.5L Diesel Engine, LHD  
Figure 024-280



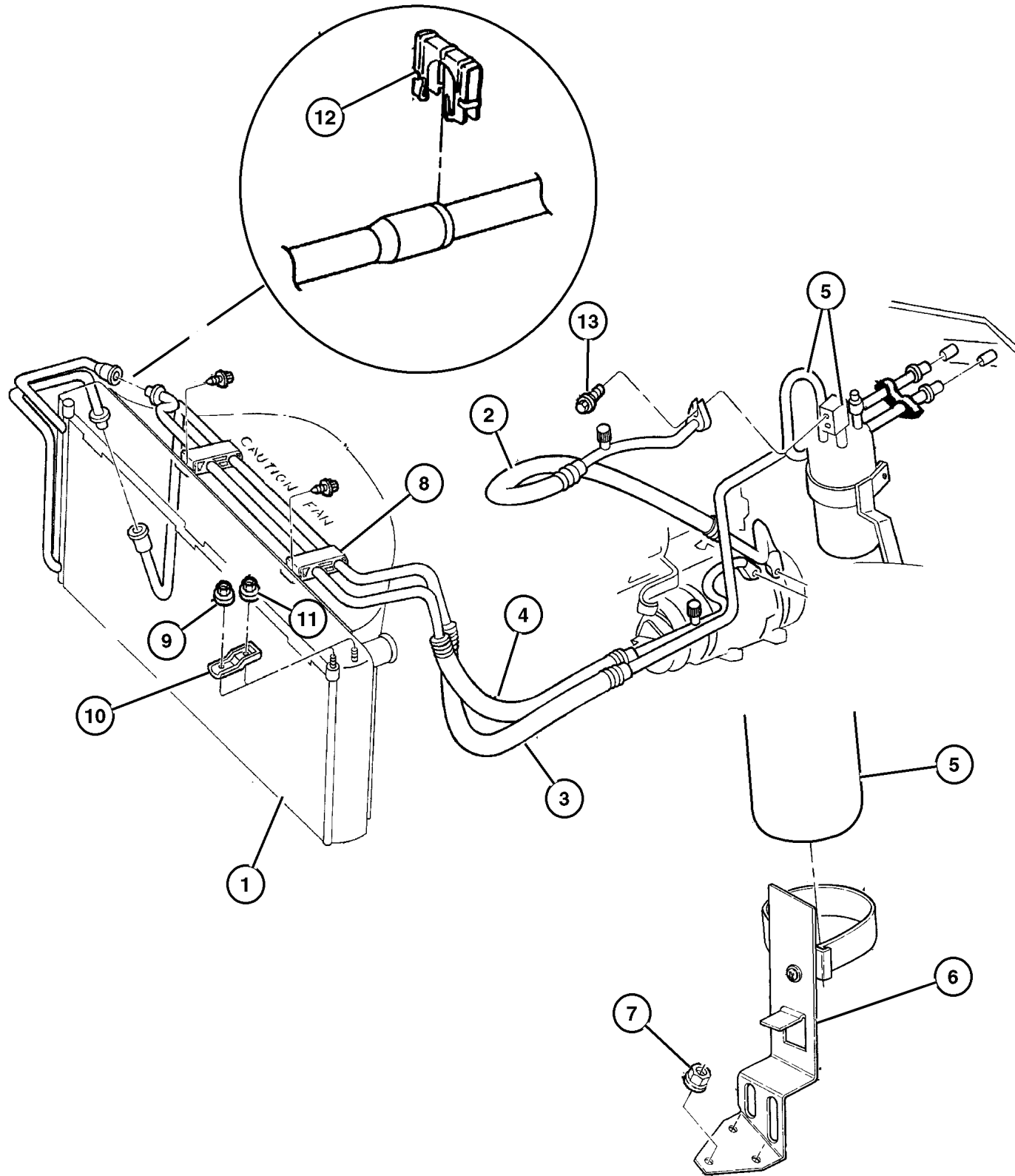
ITEM	PART NUMBER	QTY	LINE	BODY	ENGINE	DESCRIPTION
Note: Sales Code EN0 = 2.5L Diesel Engine nsmission						
1	55036 599AB	1			EN0	CONDENSER, A/C
2	55037 366AB	1	J, T		EN0	LINE, A/C Suction
3	5503 6650	1	J, T		EN0	LINE, A/C Liquid
4	#55037 557AA	1	J, T		EN0	LINE, A/C Discharge
5	55036 648AD	1	J, T		EN0	ACCUMULATOR, Suction Line
6	5503 6646	1	J, T		EN0	BRACKET, Accumulator
7	1150 2628	2				BOLT, Hex Flange Head, M8x1.25x30
8	55037 410AB	1	J, T		EN0	BAND, Accumulator Retaining
9	6100 814	2				NUT, Hex, M6
10	4596 152	3			EN0	CLIP, A/C Quick Disconnect
11	5600 2231	2				BRACKET, Radiator to Condenser
-12	4740 401	1	J, T		ER0	O RING, A/C Suction Line
-13	4723 029	2	J, T		EN0	VALVE, A/C Discharge Line Check
-14						VALVE CORE, Service Port, (NOT SERVICED)

JEEP CHEROKEE (XJ)				
SERIES	LINE	BODY	ENGINE	TRANSMISSION
P=Classic	J=LHD (4WD)	74=4 Dr.(101.4WB)	ENC,EN0=2.5L 4 cyl. Turbo Die	DDD, DDQ=5 spd. Man.
S=Limited	U=RHD (4WD)	72=2 Dr.(101.4WB)	ERH,ER0=4.0L Power Tech I-6	DGS=4 spd. Auto. AISIN
H=Sport	T=LHD (2WD)		EPE,EP0=Magnum 2.5L SMPI	DG0=All Auto/Trans.
L=SE	B=RHD (2WD)			DBB=All Manual Trans.

AR = Use as required - = Non illustrated part # = New this model year

April 5, 2002

**Plumbing, Air Conditioning, 2.5L Diesel Engine, RHD**  
**Figure 024-290**



ITEM	PART NUMBER	QTY	LINE	BODY	ENGINE	DESCRIPTION
Note: Sales Code EN0 = 2.5L Diesel Engine nsmission						
1	55036 599AB	1			EN0	CONDENSER, A/C
2	55036 653AB	1	B, U		EN0	LINE, A/C Suction
3	55037 494AB	1	B, U		EN0	LINE, A/C Liquid
4	#55037 560AA	1	B, U		EN0	LINE, A/C Discharge
5	55036 649AC	1	B, U		EN0, ER0	ACCUMULATOR, Suction Line
6	55036 647AB	1	B, U		EN0	BRACKET, Accumulator
7	6033 560	1				NUT AND WASHER, Hex Nut-Coned Washer, .25-20
8	5503 7344	2	B, U		EN0	CLIP, Discharge Line
9	6100 814	2				NUT, Hex, M6
10	5600 2231	2				BRACKET, Radiator to Condenser
11	1150 2722	2			EN0, ER0	NUT, Hex Flange, M5x.8
12	4596 152	3			EN0	CLIP, A/C Quick Disconnect
13	1150 2628	2				BOLT, Hex Flange Head, M8x1.25x30
-14	4740 401	2	B, U		EP0	O RING, A/C Suction Line
-15	4882 334	1	B, U		EN0	VALVE, A/C Discharge Line Check
-16	4882 335	1	B, U		EN0	CAP, A/C Check Valve
-17						VALVE CORE, Service Port, (NOT SERVICED)
-18	4728 856	1	B, U		EN0	SPRING, Quick Disconnect
-19	4741 705	2	B, U		EN0	O RING, A/C Liquid Line

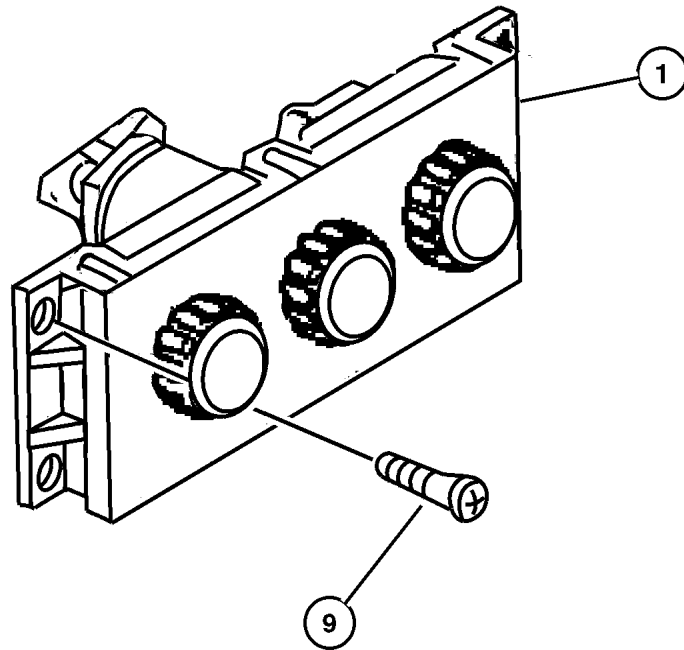
JEEP CHEROKEE (XJ)				
SERIES	LINE	BODY	ENGINE	TRANSMISSION
P=Classic	J=LHD (4WD)	74=4 Dr.(101.4WB)	ENC,EN0=2.5L 4 cyl. Turbo Die	DDD, DDQ=5 spd. Man.
S=Limited	U=RHD (4WD)	72=2 Dr.(101.4WB)	ERH,ER0=4.0L Power Tech I-6	DGS=4 spd. Auto. AISIN
H=Sport	T=LHD (2WD)		EPE,EP0=Magnum 2.5L SMPI	DG0=All Auto/Trans.
L=SE	B=RHD (2WD)			DBB=All Manual Trans.

AR = Use as required - = Non illustrated part # = New this model year

April 5, 2002

**Control, Heater and Air Conditioning  
Figure 024-310**

ITEM	PART NUMBER	QTY	LINE	BODY	ENGINE	DESCRIPTION
Note: Sales Code EP0 = 2.5L Gas Engine nsmission						
1	5011 343AB	1				CONTROL, A/C And Heater
-2	4882 861	3				KNOB, A/C And Heater Control - Slide
-3	55036 909AC	1	J, T		EP0	VACUUM HARNESS, Heater and A/C
-4	5003 281AA	1				BULB, Heater and A/C Control
-5	5011 342AB	1				CONTROL, Heater
-6	4882 861	3				KNOB, A/C And Heater Control - Slide
-7	5011 340AB	1				HARNESS, Heater Vacuum
-8	5003 281AA	1				BULB, Heater and A/C Control
9	6032 723	2				SCREW, Self Tapping, M4.2x1.69x19.05
-10	55036 909AC	1	J, T		EP0	VACUUM HARNESS, Heater and A/C



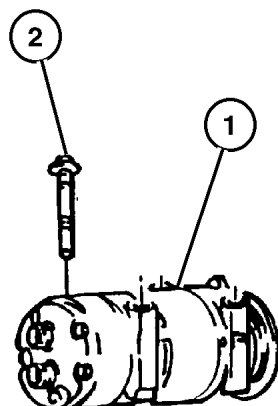
JEEP CHEROKEE (XJ)				
SERIES	LINE	BODY	ENGINE	TRANSMISSION
P=Classic	J=LHD (4WD)	74=4 Dr.(101.4WB)	ENC,EN0=2.5L 4 cyl. Turbo Die	DDD, DDQ=5 spd. Man.
S=Limited	U=RHD (4WD)	72=2 Dr.(101.4WB)	ERH,ER0=4.0L Power Tech I-6	DGS=4 spd. Auto. AISIN
H=Sport	T=LHD (2WD)		EPE,EP0=Magnum 2.5L SMPI	DG0=All Auto/Trans.
L=SE	B=RHD (2WD)			DBB=All Manual Trans.

AR = Use as required - = Non illustrated part # = New this model year

April 5, 2002

**Compressor, Air Conditioning, 2.5,4.0L Gas Engines  
Figure 024-410**

ITEM	PART NUMBER	QTY	LINE	BODY	ENGINE	DESCRIPTION
Note: Sales Code EP0 = 2.5L Gas Engine nsmission						
Note: Sales Code ER0 = 4.0L Engine nsmission						
1						COMPRESSOR, Air Conditioning
	55037 214AC	1	B, U		ER0	
	#55037 205AI	1			EP0	With Clutch
		1	J, T		ER0	
2						STUD, (NOT SERVICED)
-3						CLUTCH, A/C Compressor
	5015 314AA	1			EP0	
		1	J, T		ER0	
	5015 315AA	1	B, U		ER0	



JEEP CHEROKEE (XJ)				
SERIES	LINE	BODY	ENGINE	TRANSMISSION
P=Classic	J=LHD (4WD)	74=4 Dr.(101.4WB)	ENC,EN0=2.5L 4 cyl. Turbo Die	DDD, DDQ=5 spd. Man.
S=Limited	U=RHD (4WD)	72=2 Dr.(101.4WB)	ERH,ER0=4.0L Power Tech I-6	DGS=4 spd. Auto. AISIN
H=Sport	T=LHD (2WD)		EPE,EP0=Magnum 2.5L SMPI	DG0=All Auto/Trans.
L=SE	B=RHD (2WD)			DBB=All Manual Trans.

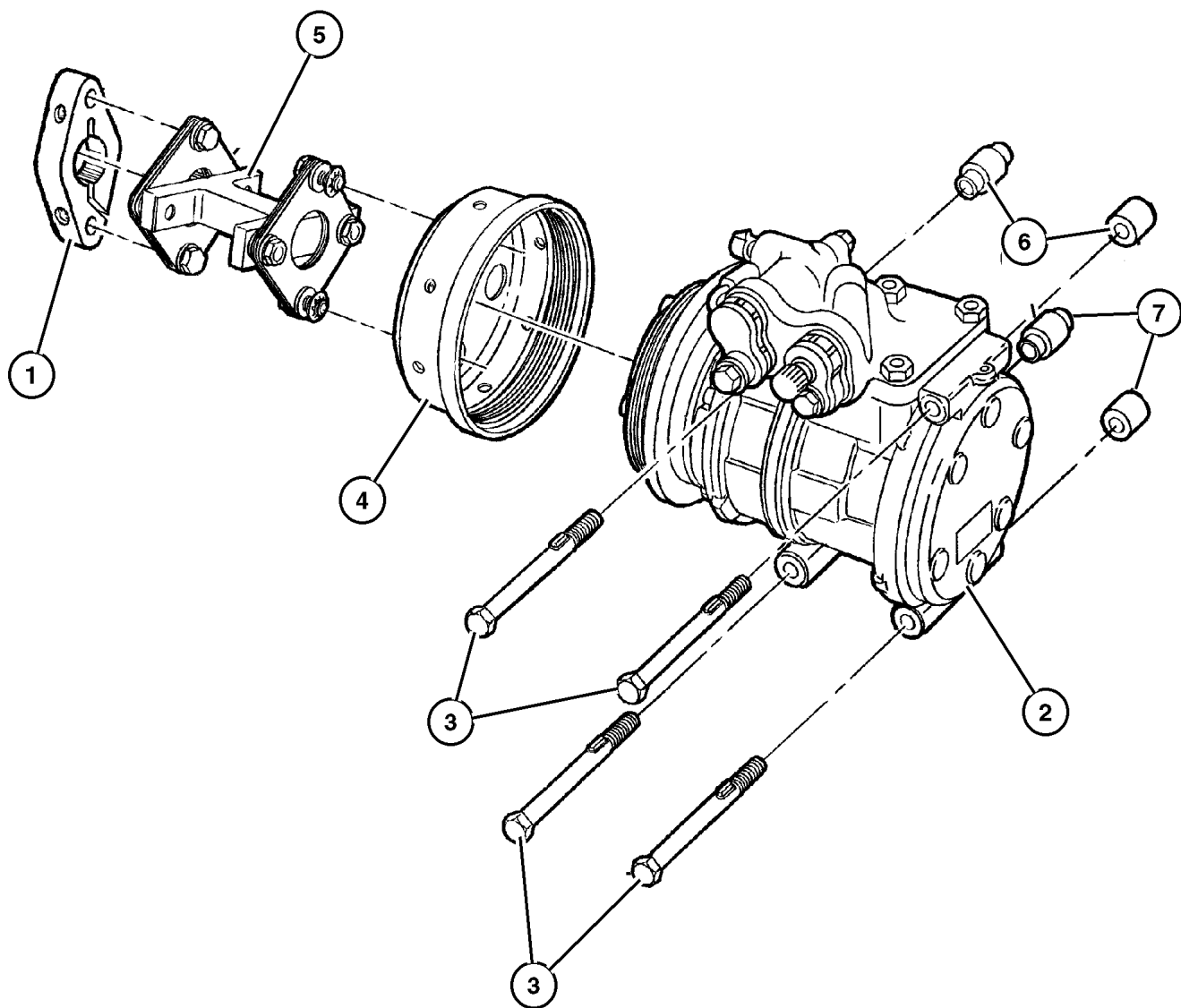
AR = Use as required - = Non illustrated part # = New this model year

April 5, 2002



**Compressor, Air Conditioning, 2.5L Diesel Engine  
Figure 024-415**

ITEM	PART NUMBER	QTY	LINE	BODY	ENGINE	DESCRIPTION
Note: Sales Code EN0 = 2.5L Diesel Engine nsmission						
1	4864 600	1			EN0	FLANGE, Accessory Drive
2	#55037 556AA	1			EN0	COMPRESSOR, Air Conditioning
3	6503 802	4			EN0	SCREW, M8-1.25
4	4797 754	1			EN0	CUP, A/C DRIVE
5	4797 720AB	1			EN0	SHAFT, Power Steering Pump
6	5503 6677	2			EN0	SPACER, A/C Compressor
7	5503 6678	2			EN0	SPACER, A/C Compressor



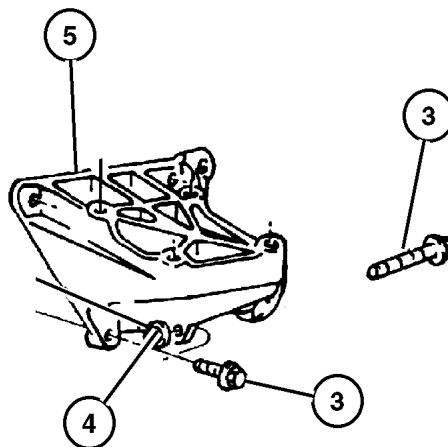
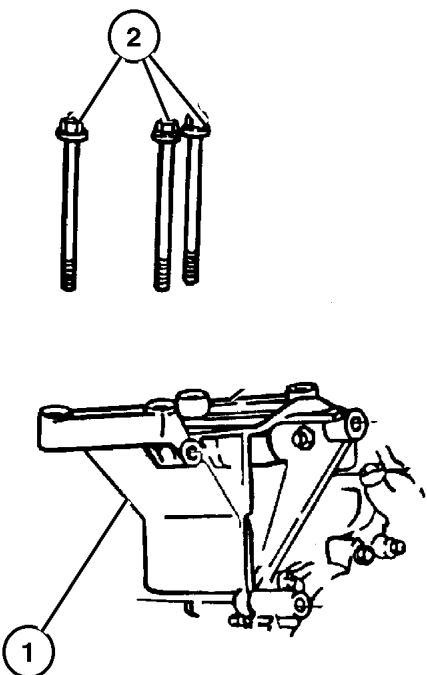
JEEP CHEROKEE (XJ)				
SERIES	LINE	BODY	ENGINE	TRANSMISSION
P=Classic	J=LHD (4WD)	74=4 Dr.(101.4WB)	ENC,EN0=2.5L 4 cyl. Turbo Die	DDD, DDQ=5 spd. Man.
S=Limited	U=RHD (4WD)	72=2 Dr.(101.4WB)	ERH,ER0=4.0L Power Tech I-6	DGS=4 spd. Auto. AISIN
H=Sport	T=LHD (2WD)		EPE,EP0=Magnum 2.5L SMPI	DG0=All Auto/Trans.
L=SE	B=RHD (2WD)			DBB=All Manual Trans.

AR = Use as required - = Non illustrated part # = New this model year

April 5, 2002

## Compressor Mounting Figure 024-510

ITEM	PART NUMBER	QTY	LINE	BODY	ENGINE	DESCRIPTION
Note: Sales Code EP0 = 2.5L Gas Engine nsmission						
Note: Sales Code ER0 = 4.0L Engine nsmission						
1	5301 0207	1	J, T		EP0	BRACKET, Alternator And Compressor
2	6502 957	1	J, T		ER0	BOLT, Hex Flange Head, M10-1.5x90.0
3	J400 7073	2				SCREW AND WASHER, .375-16x1.125
4						NUT, Hex Flange, M10x1.5
	6502 135	1	J, T		EP0	
		1	J, T		ER0	
5	5301 1002	1	J, T		ER0	BRACKET, A/C Compressor



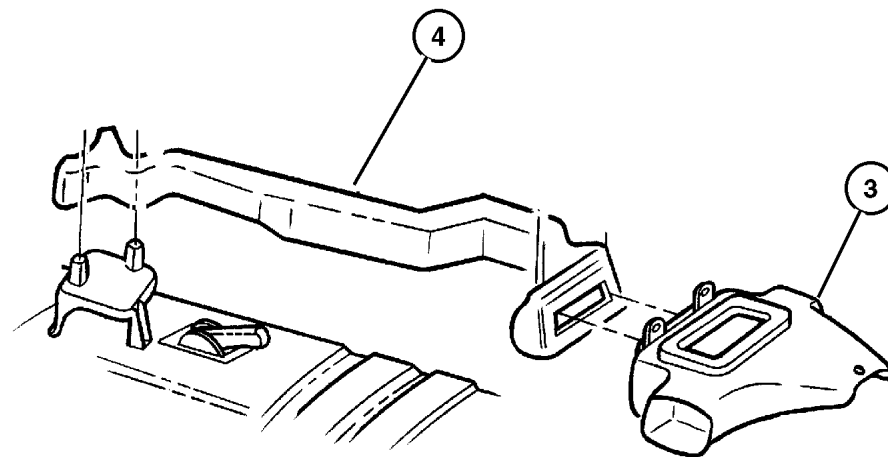
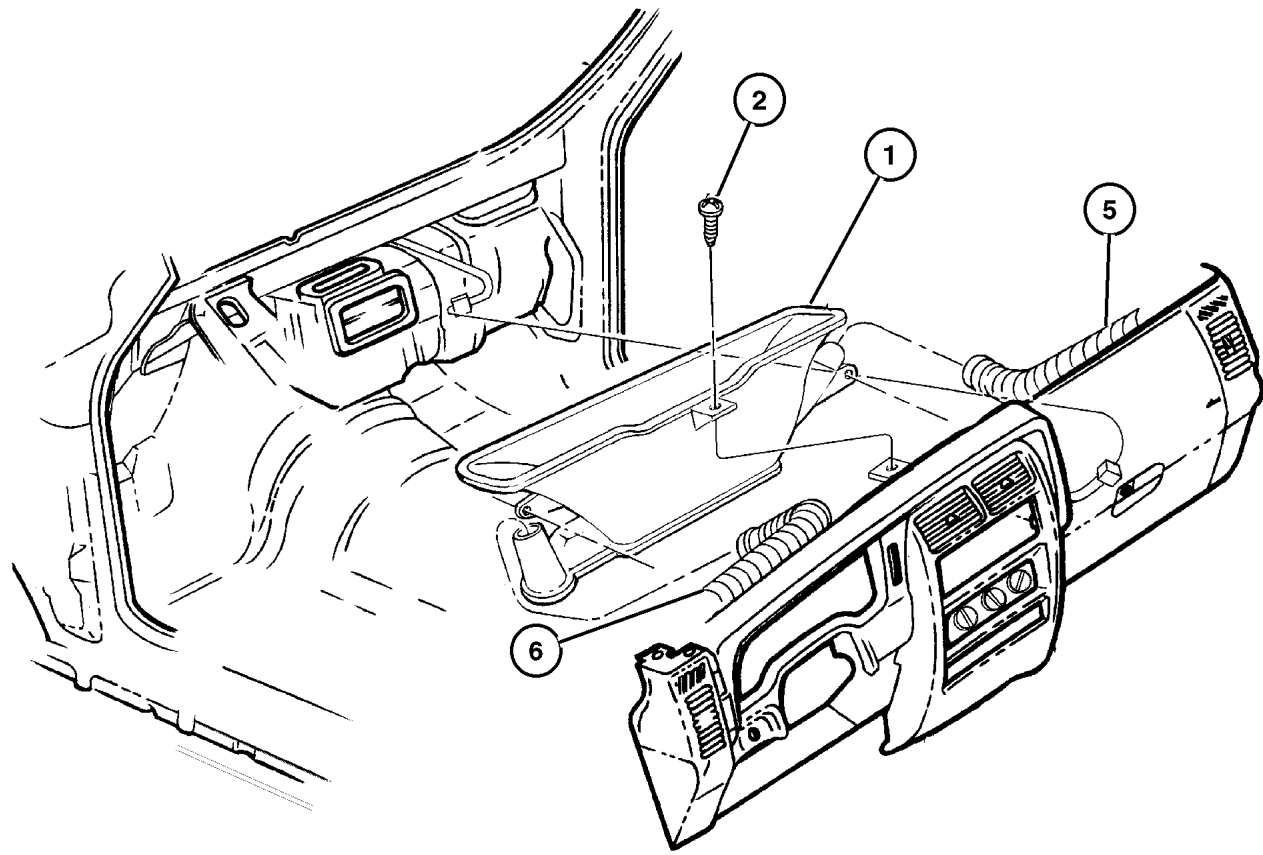
JEEP CHEROKEE (XJ)				
SERIES	LINE	BODY	ENGINE	TRANSMISSION
P=Classic	J=LHD (4WD)	74=4 Dr.(101.4WB)	ENC,EN0=2.5L 4 cyl. Turbo Die	DDD, DDQ=5 spd. Man.
S=Limited	U=RHD (4WD)	72=2 Dr.(101.4WB)	ERH,ER0=4.0L Power Tech I-6	DGS=4 spd. Auto. AISIN
H=Sport	T=LHD (2WD)		EPE,EP0=Magnum 2.5L SMPI	DG0=All Auto/Trans.
L=SE	B=RHD (2WD)			DBB=All Manual Trans.

AR = Use as required - = Non illustrated part # = New this model year

April 5, 2002

**Air Distribution Ducts**  
**Figure 024-610**

ITEM	PART NUMBER	QTY	LINE	BODY	ENGINE	DESCRIPTION
1						DUCT, Defroster
	5503 6682	1	J, T			
	5503 6683	1	B, U			
2	6032 723	3				SCREW, Self Tapping, M4.2x1.69x19.05
3						DUCT, Floor Console
	5503 6869	1	J, T			
	5503 6870	1	B, U			
4	55036 789AB	1				DUCT, Rear Floor Heat
5	5511 5494	1	B, U			HOSE, Demister, Right
6	5511 5495	1	B, U			HOSE, Demister, Left
-7	5503 7040	1	B, U			DUCT, Demister, Right



<b>JEEP CHEROKEE (XJ)</b>				
SERIES	LINE	BODY	ENGINE	TRANSMISSION
P=Classic	J=LHD (4WD)	74=4 Dr.(101.4WB)	ENC,EN0=2.5L 4 cyl. Turbo Die	DDD, DDQ=5 spd. Man.
S=Limited	U=RHD (4WD)	72=2 Dr.(101.4WB)	ERH,ER0=4.0L Power Tech I-6	DGS=4 spd. Auto. AISIN
H=Sport	T=LHD (2WD)		EPE,EP0=Magnum 2.5L SMPI	DG0=All Auto/Trans.
L=SE	B=RHD (2WD)			DBB=All Manual Trans.

AR = Use as required - = Non illustrated part # = New this model year

April 5, 2002

# Group – 025

## Emission Systems

### GROUP 25 - Emission Systems

Illustration Title

Group-Fig. No.

#### Emission Labels

Emission Labels 2.5L (EPE), 2.5L (ENC) Diesel, 4.0L (ERH) Engine ..... Fig. 025-120

#### EGR System

EGR System 2.5L (ENC) Diesel Engine ..... Fig. 025-220

#### Vacuum Canister

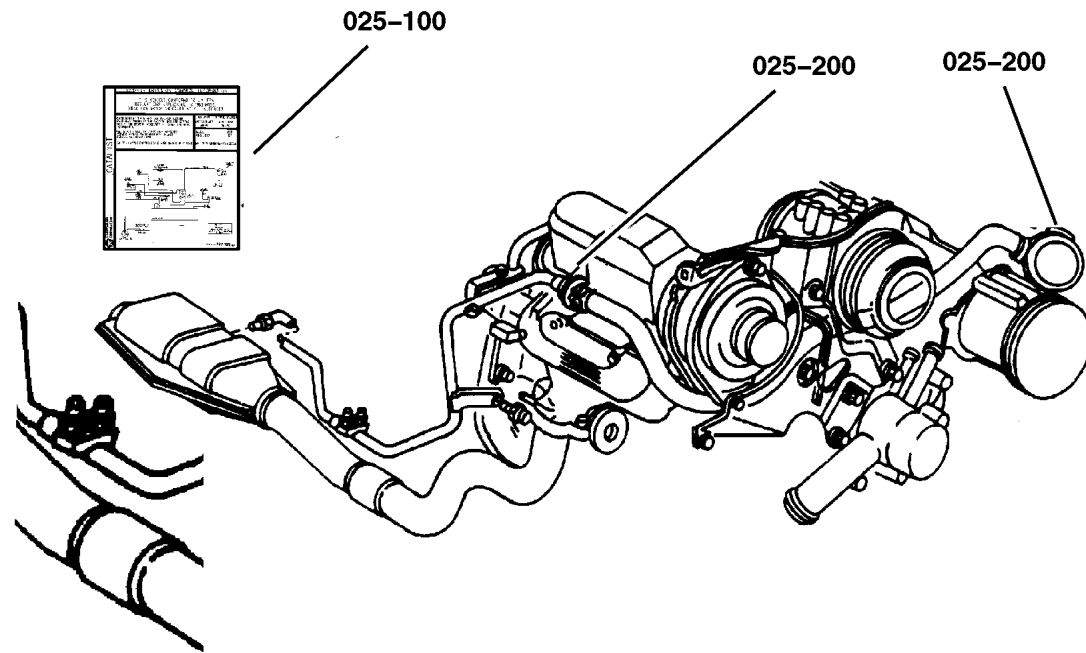
Vacuum Canister 2.5L, 4.0L Engine ..... Fig. 025-335

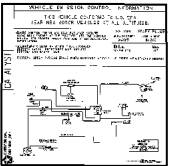
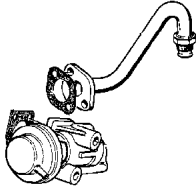
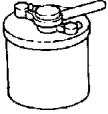
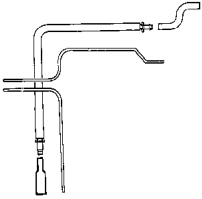
#### Emission Harness

Emission Control Vacuum Harness 2.5L (EPE), 4.0L (ERH) Engine ..... Fig. 025-430

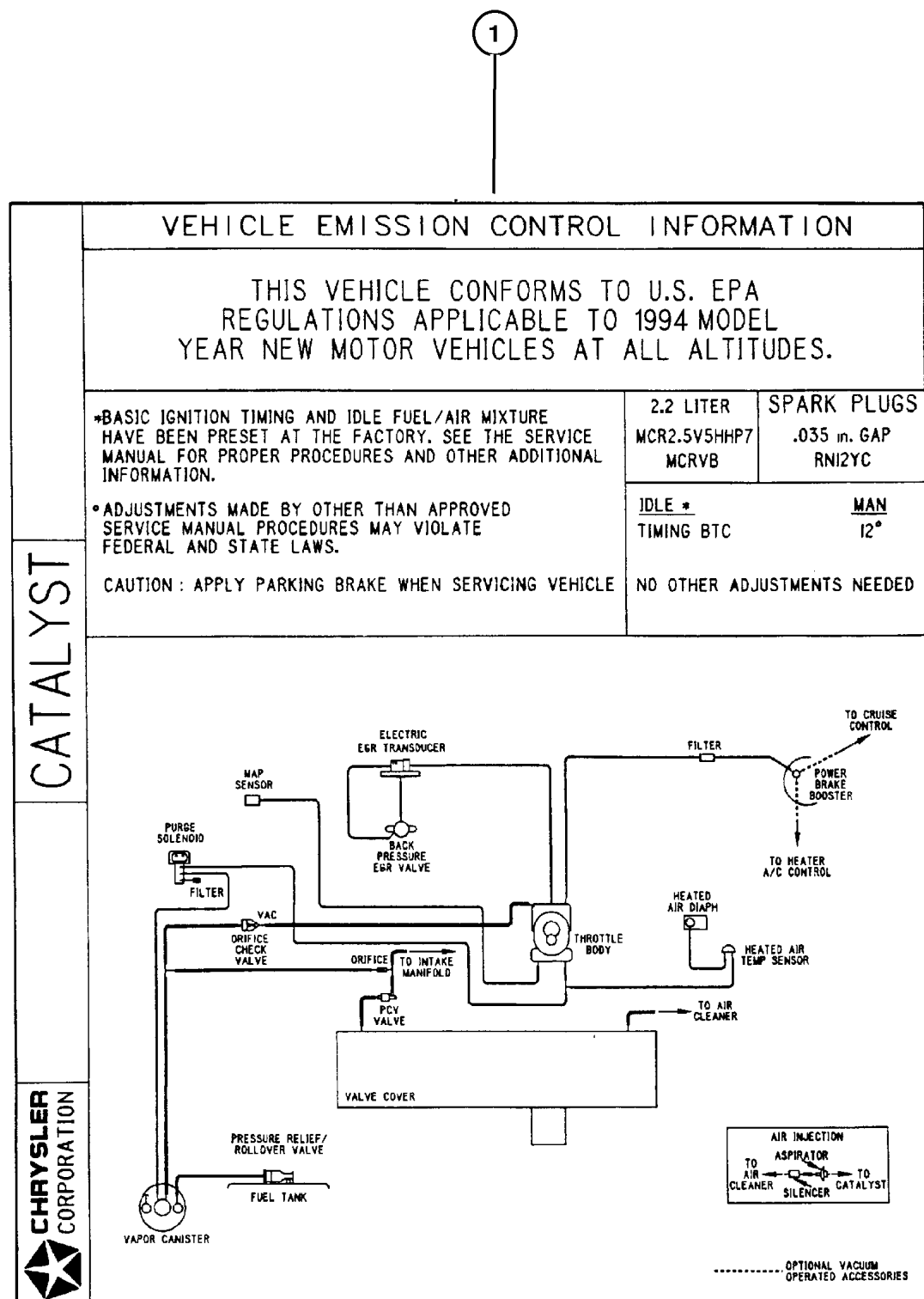
Emission Control Vacuum Harness 2.5L (ENC) Diesel Engine ..... Fig. 025-450

Leak Detection Pump ..... Fig. 025-460



<p><b>025-100</b> Emission Labels</p> 	<p><b>025-200</b> EGR System</p> 	<p><b>025-300</b> Vacuum Canister</p> 	<p><b>025-400</b> Emission Harness</p> 
---	--	---	--

**Emission Labels 2.5L (EPE), 2.5L (ENC) Diesel, 4.0L (ERH) Engine  
Figure 025-120**



ITEM	PART NUMBER	QTY	LINE	BODY	ENGINE	TRANS	DESCRIPTION
NOTE: EN0=All 2.5L Diesel Engines, EPE= 2.5L Power Tech I-4, ERH= 4.0L Power Tech I-6, nsmission							
DBB= Manual Transmissions, DGS= 4 Speed Automatic Transmissions nsmission							
1							LABEL, Emission
	#53013 446AA	1	J	72	ERH	DGS	Federal
		1	J	74	ERH		Federal
	#53013 447AA	1	U		ERH	DGS	Federal
		1	J	72	ERH	DGS	Canada
		1	J	74	ERH		Canada
	#53013 448AA	1			ERH		Europe II
	#53013 449AA	1	B, T		ERH		Federal
		1	J	72	ERH	DBB	Federal, (H) Series
		1	J	72	ERH		Federal, (L) Series
	#53013 450AA	1	B, T		ERH		Canada
		1	J	72	ERH	DBB	Canada, (H) Series
		1	J	72	ERH		Canada, (L) Series
	#53013 451AA	1	B, T		ERH		California
		1	J	72	ERH	DBB	California
		1	J	72	ERH	DGS	California, (L) Series
		1	B, T		ERH		Northeastern States
		1	J	72	ERH	DBB	Northeastern States
		1	J	72	ERH	DGS	Northeastern States, (L) Series
	#53013 452AA	1			ERH		Europe III
	#53013 453AA	1	J	72	ERH	DGS	California, (H) Series
		1	J	74	ERH		California
		1	U		ERH		California
		1	J	72	ERH	DGS	Northeastern States, (H) Series
		1	J	74	ERH		Northeastern States
		1	U		ERH		Northeastern States
	53014 004AA	1	J, U		EN0		Australia
	#53032 266AA	1			EPE		Federal
	#53032 267AA	1			EPE		Canada
	#53032 271AA	1			EPE		Europe II
	#53032 272AA	1			EPE		California
		1			EPE		Northeastern States

JEEP CHEROKEE (XJ)				
SERIES	LINE	BODY	ENGINE	TRANSMISSION
P=Classic	J=LHD (4WD)	74=4 Dr.(101.4WB)	ENC,EN0=2.5L 4 cyl. Turbo Die	DDD, DDQ=5 spd. Man.
S=Limited	U=RHD (4WD)	72=2 Dr.(101.4WB)	ERH,ER0=4.0L Power Tech I-6	DGS=4 spd. Auto. AISIN
H=Sport	T=LHD (2WD)		EPE,EP0=Magnum 2.5L SMPI	DG0=All Auto/Trans.
L=SE	B=RHD (2WD)			DBB=All Manual Trans.

AR = Use as required - = Non illustrated part # = New this model year

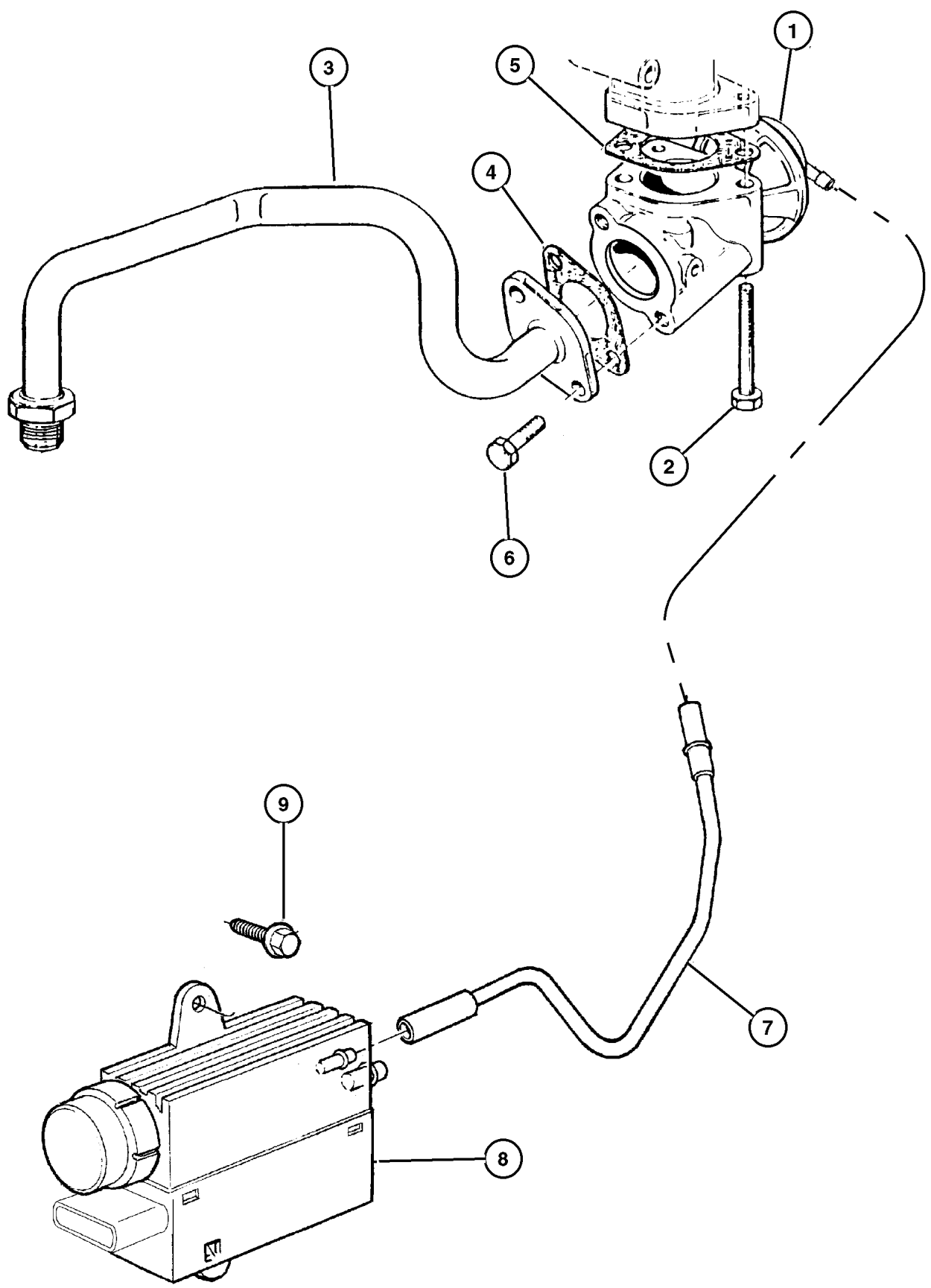
April 5, 2002

### EGR System 2.5L (ENC) Diesel Engine Figure 025-220

ITEM	PART NUMBER	QTY	LINE	BODY	ENGINE	TRANS	DESCRIPTION
------	-------------	-----	------	------	--------	-------	-------------

NOTE: EN0=All 2.5L Diesel Engines nsmission

1	4882 409	1			EN0		VALVE, EGR
2	5003 565AA	2			EN0		BOLT
3	4864 751	1			EN0		PIPE, EGR to Manifold
4	4720 208	1			EN0		GASKET, EGR Tube Flange
5	#5017 196AA	1			EN0		GASKET, EGR Tube
6	4864 537	1			EN0		BOLT, 8Mx20
7	5303 1542	1			EN0		TUBE, Exhaust Gas Recovery
8	5602 7094	1			EN0		MODULATOR, Vacuum Electric
9							SCREW/WASHER, Hex Head, .250-14x.500, (NOT SERVICED)

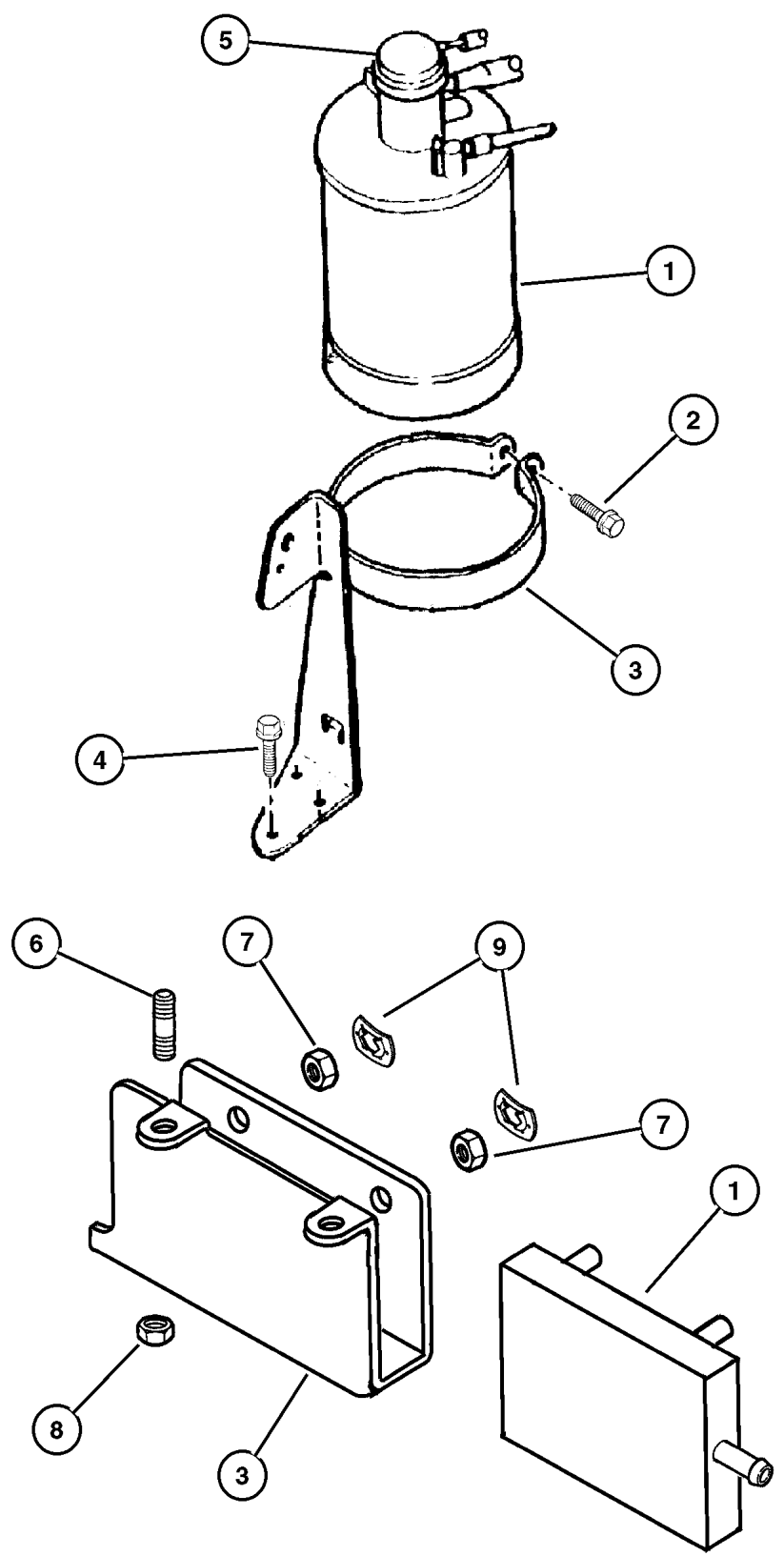


JEEP CHEROKEE (XJ)				
SERIES	LINE	BODY	ENGINE	TRANSMISSION
P=Classic	J=LHD (4WD)	74=4 Dr.(101.4WB)	ENC,EN0=2.5L 4 cyl. Turbo Die	DDD, DDQ=5 spd. Man.
S=Limited	U=RHD (4WD)	72=2 Dr.(101.4WB)	ERH,ER0=4.0L Power Tech I-6	DGS=4 spd. Auto. AISIN
H=Sport	T=LHD (2WD)		EPE,EP0=Magnum 2.5L SMPI	DG0=All Auto/Trans.
L=SE	B=RHD (2WD)			DBB=All Manual Trans.

AR = Use as required - = Non illustrated part # = New this model year

April 5, 2002

Vacuum Canister 2.5L, 4.0L Engine  
Figure 025-335



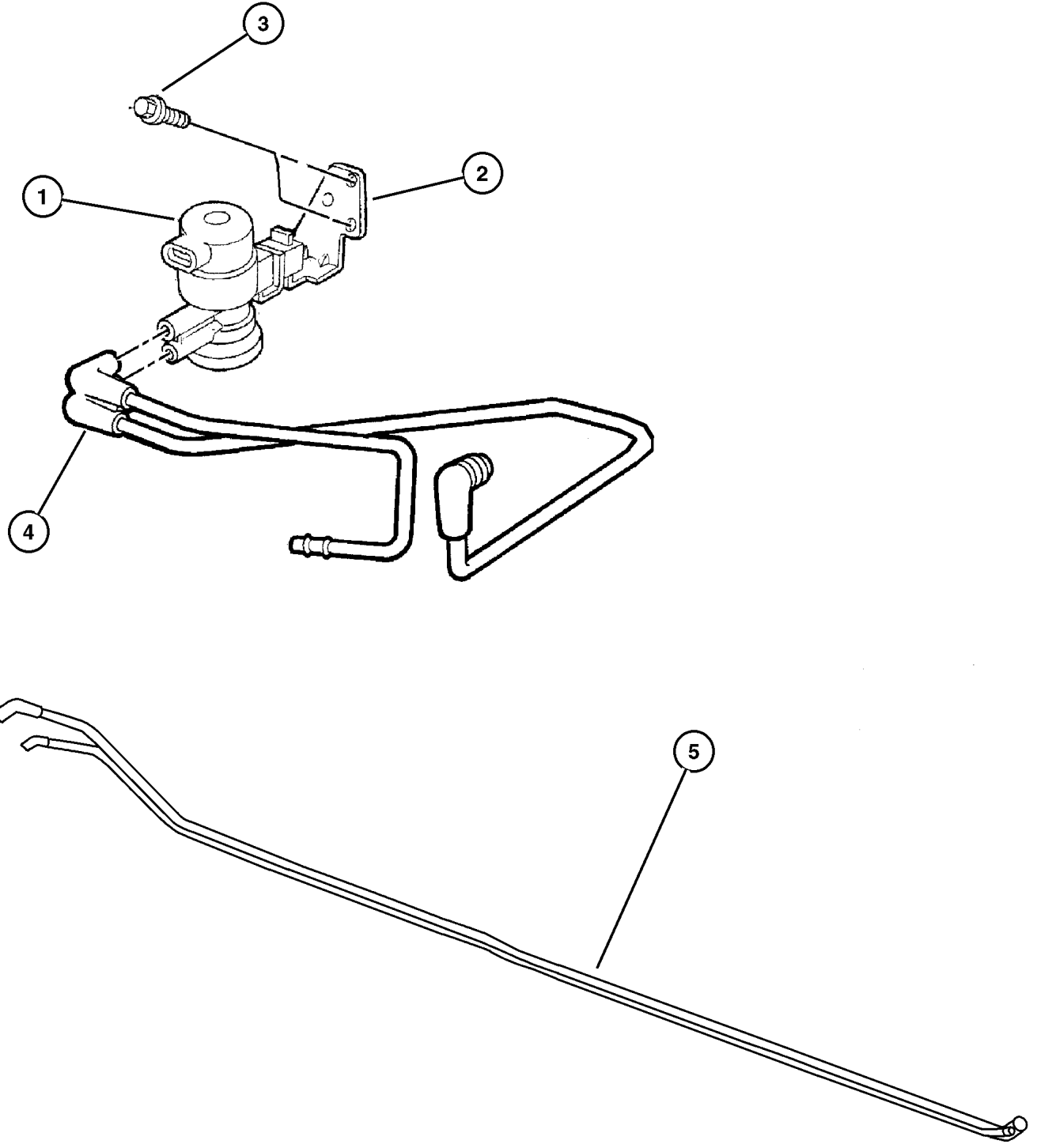
ITEM	PART NUMBER	QTY	LINE	BODY	ENGINE	TRANS	DESCRIPTION
Note: EPO= All 2.5L Gas Engines, ERO= All 4.0L Gas Engines nsmission							
1	4854 112	1			EPO, ERO		CANISTER, Vapor Federal, California
	53031 904AB	1			EPO, ERO		Europe II, Leaded Fuel
2	J942 0882	1			EPO, ERO		SCREW, Hex Flange Head, .25-14x1.50
3	53013 040AC	1			EPO, ERO		BRACKET, Vapor Canister Federal, California
	5300 7836	1	J, T		EPO, ERO		Europe II, Leaded Fuel
4	6035 058	3	J, T		EPO, ERO		SCREW, Hex Flange Head, .19-16x.50
5	4192 074	1			EPO, ERO		CAP, Vapor Canister
6	6503 951	2			EPO, ERO		STUD, M6X1.00X.250-14X30.00
7	4669 177	2			EPO, ERO		GROMMET, Air Cleaner Bracket
8	6500 284	2			EPO, ERO		NUT, Hex, M6x1.00
9	0441 263	2			EPO, ERO		NUT, Push

JEEP CHEROKEE (XJ)				
SERIES	LINE	BODY	ENGINE	TRANSMISSION
P=Classic	J=LHD (4WD)	74=4 Dr.(101.4WB)	ENC,EN0=2.5L 4 cyl. Turbo Die	DDD, DDQ=5 spd. Man.
S=Limited	U=RHD (4WD)	72=2 Dr.(101.4WB)	ERH,ER0=4.0L Power Tech I-6	DGS=4 spd. Auto. AISIN
H=Sport	T=LHD (2WD)		EPE,EP0=Magnum 2.5L SMPI	DG0=All Auto/Trans.
L=SE	B=RHD (2WD)			DBB=All Manual Trans.

AR = Use as required - = Non illustrated part # = New this model year

April 5, 2002

**Emission Control Vacuum Harness 2.5L (EPE), 4.0L (ERH) Engine  
Figure 025-430**



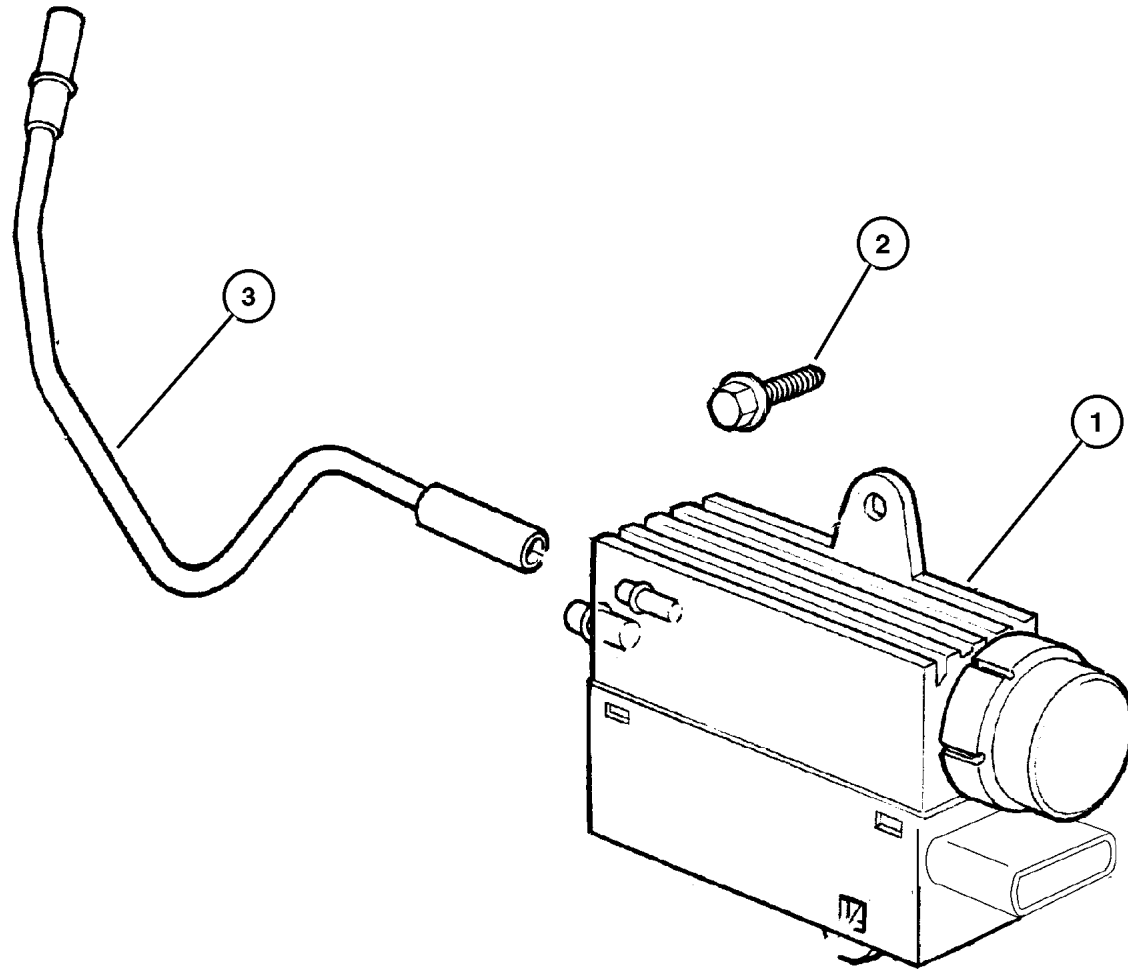
ITEM	PART NUMBER	QTY	LINE	BODY	ENGINE	TRANS	DESCRIPTION
NOTE: EP0=All 2.5L Gas Engines ER0=All 4.0L Engines nsmission							
1	4669 475AB	1			EP0, ER0		SOLENOID, Duty Cycle Purge
2	56027 773AB	1			EP0, ER0		BRACKET, Duty Cycle Purge Solenoid
3	6032 988	2					SCREW
4	4854 896AB	1	J, T		ER0		HARNESS, Duty Cycle Purge Solenoid
	4854 149	1	B, U		EP0		
	4854 151AC	1	B, U		ER0		
	4854 895	1	J, T		EP0		
5	4854 207AC	1			ER0		HARNESS, Vacuum Body Side
		1			EP0		
-6	4591 090	1	J, T		EP0		PORT, Emission Testing
		1	B, U		EP0		
		1	J, T		ER0		
		1	B, U		ER0		

JEEP CHEROKEE (XJ)				
SERIES	LINE	BODY	ENGINE	TRANSMISSION
P=Classic	J=LHD (4WD)	74=4 Dr.(101.4WB)	ENC,EN0=2.5L 4 cyl. Turbo Die	DDD, DDQ=5 spd. Man.
S=Limited	U=RHD (4WD)	72=2 Dr.(101.4WB)	ERH,ER0=4.0L Power Tech I-6	DGS=4 spd. Auto. AISIN
H=Sport	T=LHD (2WD)		EPE,EP0=Magnum 2.5L SMPI	DG0=All Auto/Trans.
L=SE	B=RHD (2WD)			DBB=All Manual Trans.



**Emission Control Vacuum Harness 2.5L (ENC) Diesel Engine  
Figure 025-450**

ITEM	PART NUMBER	QTY	LINE	BODY	ENGINE	TRANS	DESCRIPTION
NOTE: ENO= All 2.5L Diesel Engines nsmission							
1	5602 7094	1			ENO		MODULATOR, Vacuum Electric
2	6034 959	2			ENO		SCREW, Hex Flange Head, .25-14x.549
3	5303 1542	1			ENO		TUBE, Exhaust Gas Recovery

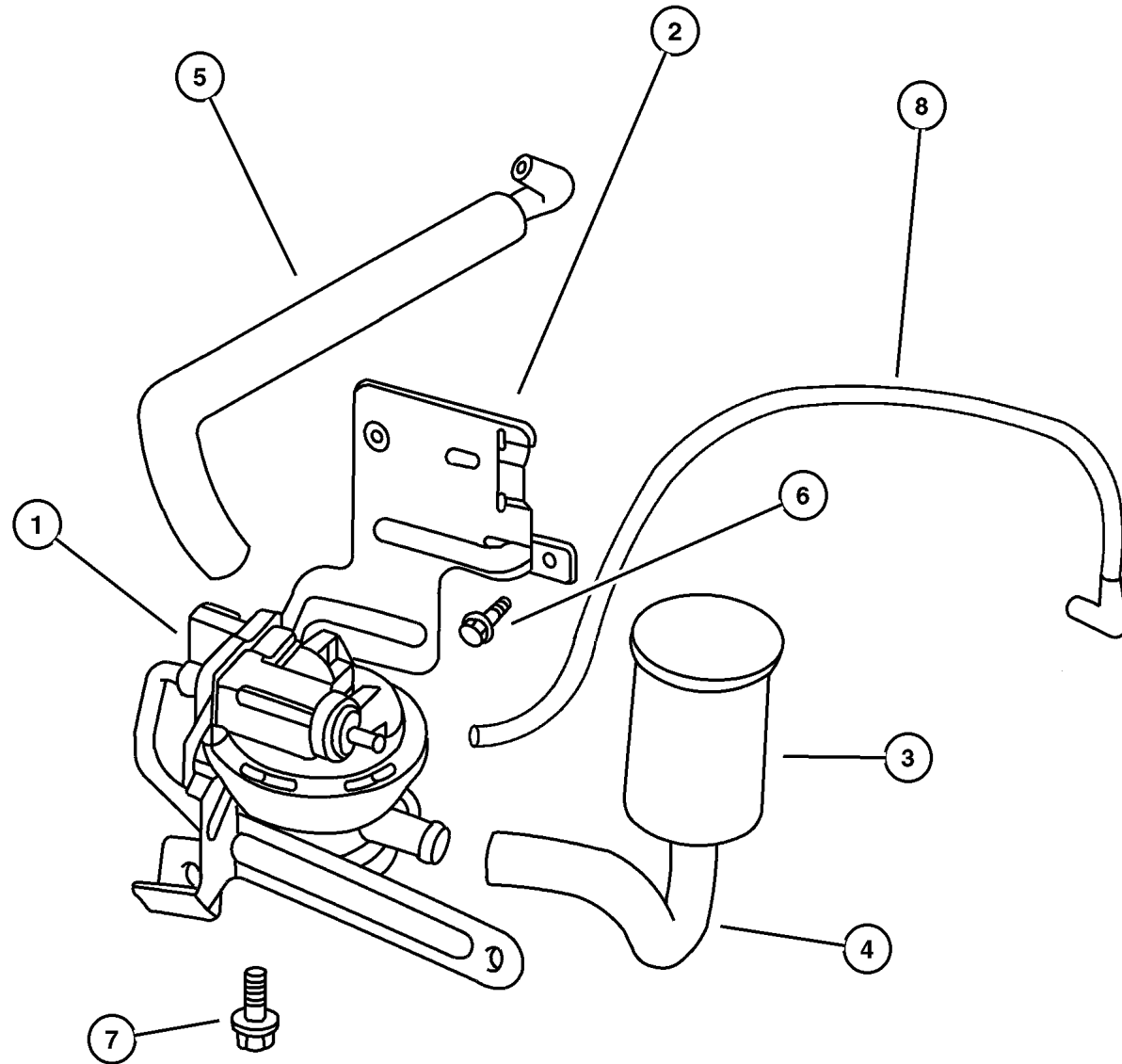


JEEP CHEROKEE (XJ)				
SERIES	LINE	BODY	ENGINE	TRANSMISSION
P=Classic	J=LHD (4WD)	74=4 Dr.(101.4WB)	ENC,EN0=2.5L 4 cyl. Turbo Die	DDD, DDQ=5 spd. Man.
S=Limited	U=RHD (4WD)	72=2 Dr.(101.4WB)	ERH,ER0=4.0L Power Tech I-6	DGS=4 spd. Auto. AISIN
H=Sport	T=LHD (2WD)		EPE,EP0=Magnum 2.5L SMPI	DG0=All Auto/Trans.
L=SE	B=RHD (2WD)			DBB=All Manual Trans.

AR = Use as required - = Non illustrated part # = New this model year

April 5, 2002

## Leak Detection Pump Figure 025-460



ITEM	PART NUMBER	QTY	LINE	BODY	ENGINE	TRANS	DESCRIPTION
Note: EPO= All 2.5L Gas Engines, ERO= All 4.0L Gas Engines nsmission							
1	53013 113AA	1	J, T		EPO, ERO		PUMP, Leak Detection
2	4854 184	1	J, T		EPO, ERO		BRACKET, Leak Detection Pump
3	4612 901	1	J, T		EPO, ERO		FILTER, Fuel Vapor Vent
4	53013 001AA	1	J, T		EPO, ERO		HOSE, Leak Detection Pump
5	53013 030AB	1	J, T		EPO, ERO		HOSE, Leak Detection Pump
6							SCREW, M6x1.00x11.00, (NOT SERVICED)
7	6035 482	3	J, T		EPO, ERO		SCREW, Tapping, .19-16x.375
8							TUBE, LDP to Intake Manifold
	53013 042AB	1	J, T		EPO		
	53013 043AB	1	J, T		ERO		

### JEEP CHEROKEE (XJ)

SERIES	LINE	BODY	ENGINE	TRANSMISSION
P=Classic	J=LHD (4WD)	74=4 Dr.(101.4WB)	ENC,EN0=2.5L 4 cyl. Turbo Die	DDD, DDQ=5 spd. Man.
S=Limited	U=RHD (4WD)	72=2 Dr.(101.4WB)	ERH,ER0=4.0L Power Tech I-6	DGS=4 spd. Auto. AISIN
H=Sport	T=LHD (2WD)		EPE,EP0=Magnum 2.5L SMPI	DG0=All Auto/Trans.
L=SE	B=RHD (2WD)			DBB=All Manual Trans.

AR = Use as required - = Non illustrated part # = New this model year

April 5, 2002

# Group – DXJ

## Doors and Related Parts

### GROUP DXJ - Doors and Related Parts

Illustration Title

Group-Fig. No.

#### Front Door

Door, Front, Shell and Hinges .....	Fig. DXJ-110
Door, Front, Glass and Controls .....	Fig. DXJ-120
Door, Front, Lock and Controls .....	Fig. DXJ-130

#### Rear Door

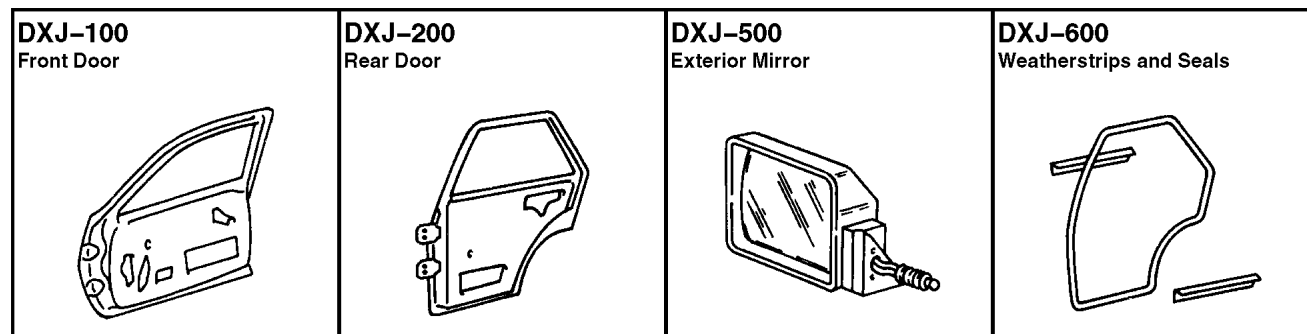
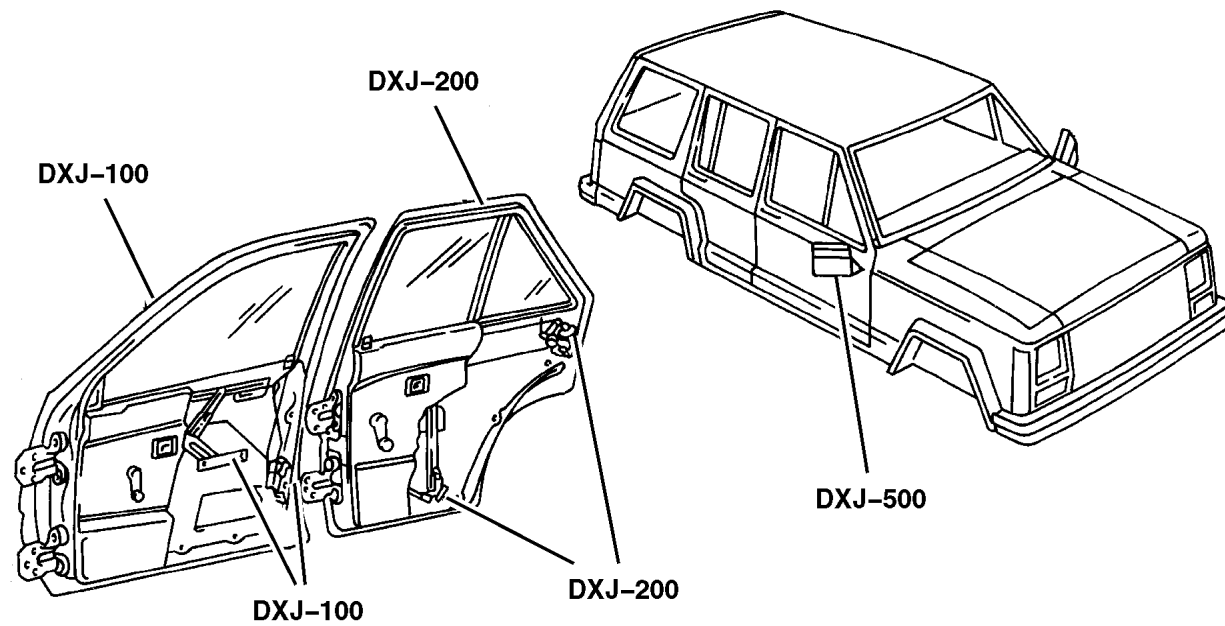
Door, Rear, Shell and Hinges .....	Fig. DXJ-210
Door, Rear, Glass and Regulator .....	Fig. DXJ-220
Door, Rear, Lock and Controls .....	Fig. DXJ-230

#### Exterior Mirror

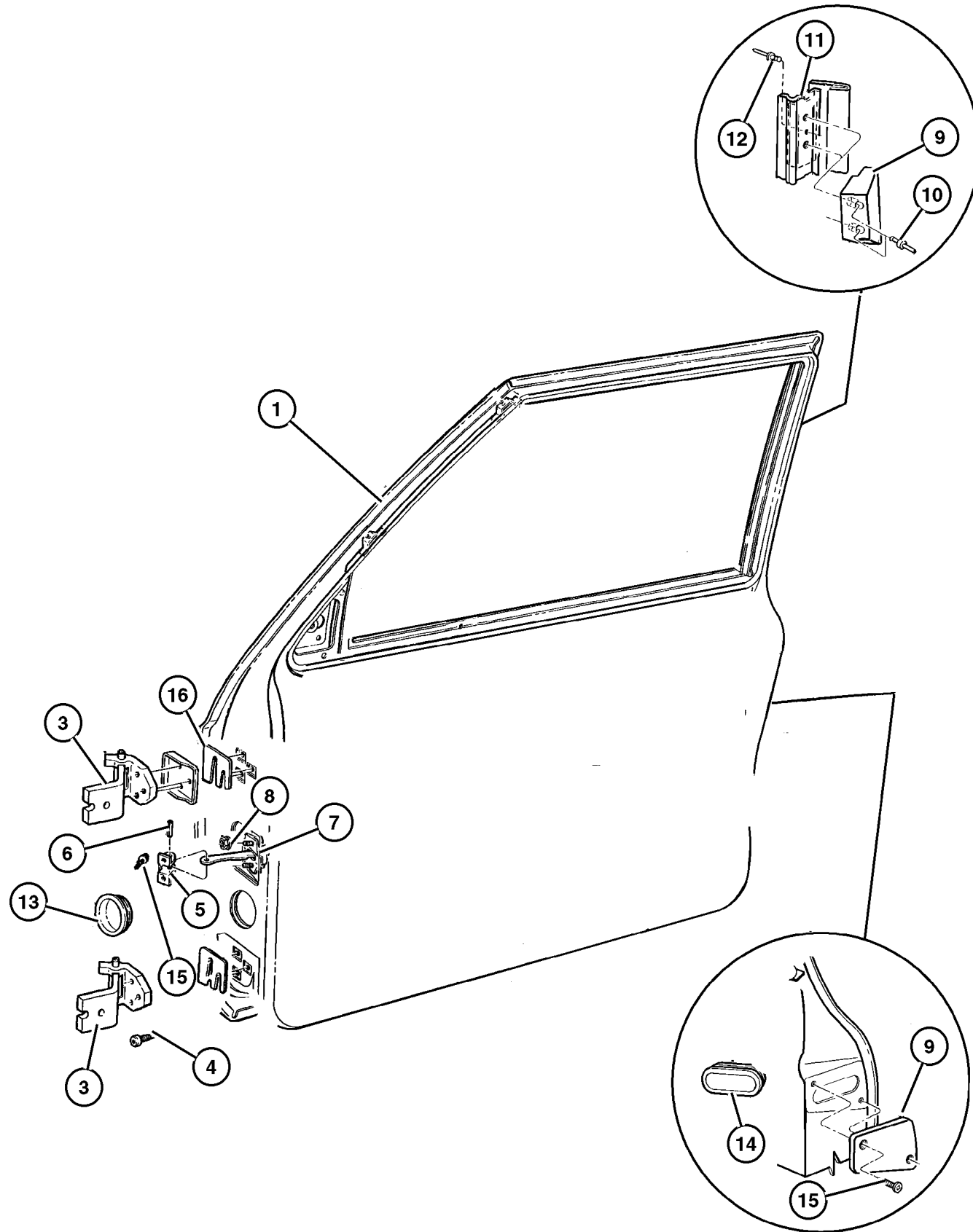
Mirrors, Exterior .....	Fig. DXJ-510
-------------------------	--------------

#### Weatherstrips and Seals

Door, Front .....	Fig. DXJ-610
Door, Rear .....	Fig. DXJ-620



**Door, Front, Shell and Hinges  
Figure DXJ-110**



ITEM	PART NUMBER	QTY	LINE	SERIES	BODY	DESCRIPTION
1						DOOR, Front
	55235 906AA	1			74	Right
	55235 907AA	1			74	Left
	55175 424AF	1	J, T, U		72	Right
	55175 425AF	1	J, T, U		72	Left
-2						PANEL, Door Outer Repair
	5003 402AB	1			74	Right
	5003 403AA	1			74	Left
	5003 400AA	1	J, T, U		72	Right
	5003 401AA	1	J, T, U		72	Left
3	55235 368AC	4				HINGE, Door
4	6505 434AA	12				SCREW, M8-1.25
5	5500 2361	2				BRACKET, Check Arm
6	5501 2900	2				PIN, Check Arm
7	55235 571AB	2				CHECK, Front Door
8						LOCK NUT, Hex Flange, M6-1.00, (NOT SERVICED)
9						SPACER, Door
	5507 4906	1	J, T, U		72	Lower Right
	5507 4907	1	J, T, U		72	Lower Left
	5507 4908	1	J, T, U		72	Upper Right
	5507 4909	1	J, T, U		72	Upper Left
10	J400 6990	2				RIVET, Blind Expansion (R-Lok)
11	5500 6216	2	J, T, U		72	REINFORCEMENT, Door Spacer
12	3420 1684	2				RIVET, M3.18x2.37
13	5500 2367	2				PLUG, Door Wiring Conduit
14	5500 2368	2				PLUG, Door Latch
15						SCREW, (NOT SERVICED)
16	5500 4920	AR				SHIM

**JEEP CHEROKEE (XJ)**

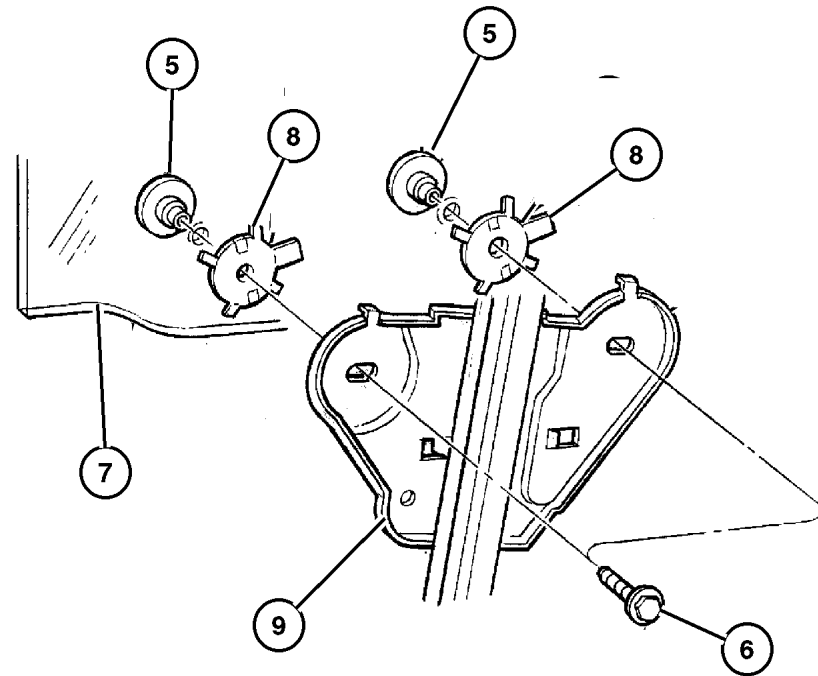
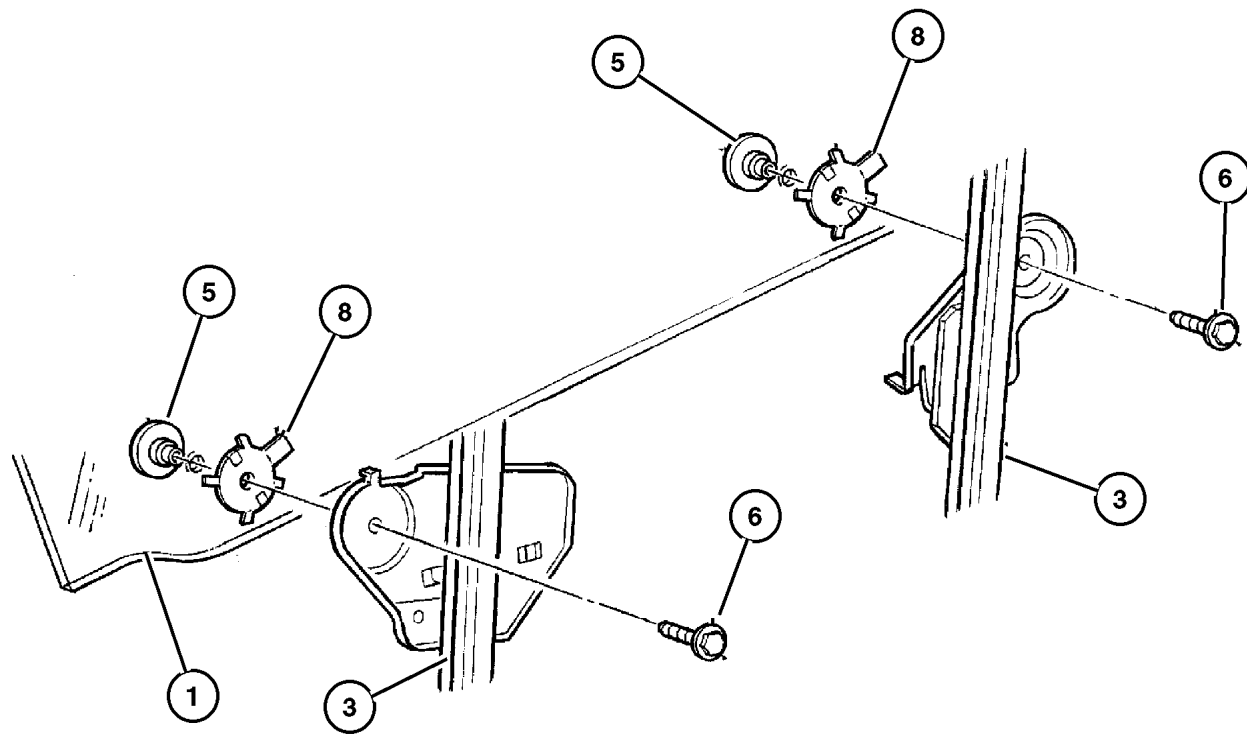
SERIES	LINE	BODY	ENGINE	TRANSMISSION
P=Classic	J=LHD (4WD)	74=4 Dr.(101.4WB)	ENC,EN0=2.5L 4 cyl. Turbo Die	DDD, DDQ=5 spd. Man.
S=Limited	U=RHD (4WD)	72=2 Dr.(101.4WB)	ERH,ER0=4.0L Power Tech I-6	DGS=4 spd. Auto. AISIN
H=Sport	T=LHD (2WD)		EPE,EP0=Magnum 2.5L SMPI	DG0=All Auto/Trans.
L=SE	B=RHD (2WD)			DBB=All Manual Trans.

AR = Use as required - = Non illustrated part # = New this model year

April 5, 2002

**Door, Front, Glass and Controls**  
**Figure DXJ-120**

ITEM	PART NUMBER	QTY	LINE	SERIES	BODY	DESCRIPTION
1						GLASS, Door
	5517 5436	1	J, T, U		72	Right
	5517 5437	1	J, T, U		72	Left
-2						CHANNEL, Glass Run Lower
	55076 172AB	1			74	Right
	55076 173AB	1			74	Left
3						REGULATOR, Front Door Window
	55076 276AH	1	J, T, U		72	Without Power, Right
	55076 277AH	1	J, T, U		72	Without Power, Left
	55155 012AJ	1	J, T, U		72	With Power, Right
	55155 013AJ	1	J, T, U		72	With Power, Left
	55076 052AF	1			74	Without Power, Right
	55076 053AF	1			74	Without Power, Left
	55154 958AH	1			74	With Power, Right
	55154 959AH	1			74	With Power, Left
-4	FW80 TAZ	2	J, T, U			HANDLE, Window Regulator, Grey
5	4415 943	4				RETAINER, Glass to Liftplate
6	3420 1807	2				BOLT, Hex Flange Head, M6x1.00x16
7						GLASS, Front Door
	5517 5430	1			74	Right
	5517 5431	1			74	Left
8	3502 6818	4				RETAINER, Glass to Liftplate
9						REGULATOR, Front Door Window
	55076 052AF	1			74	Without Power, Right
	55076 053AF	1			74	Without Power, Left
	55154 958AH	1			74	With Power, Right
	55154 959AH	1			74	With Power, Left



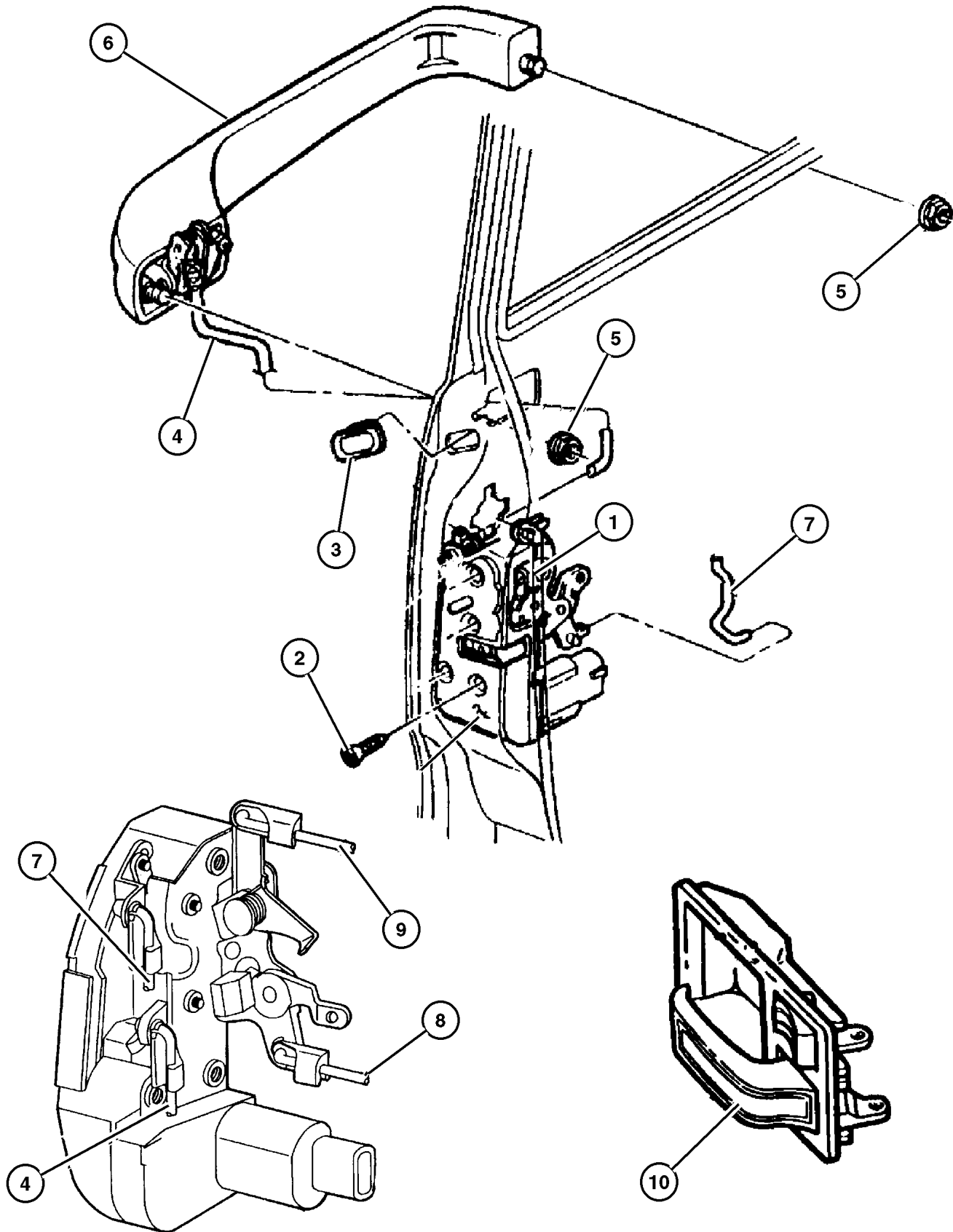
**JEEP CHEROKEE (XJ)**

SERIES	LINE	BODY	ENGINE	TRANSMISSION
P=Classic	J=LHD (4WD)	74=4 Dr.(101.4WB)	ENC,EN0=2.5L 4 cyl. Turbo Die	DDD, DDQ=5 spd. Man.
S=Limited	U=RHD (4WD)	72=2 Dr.(101.4WB)	ERH,ER0=4.0L Power Tech I-6	DGS=4 spd. Auto. AISIN
H=Sport	T=LHD (2WD)		EPE,EP0=Magnum 2.5L SMPI	DG0=All Auto/Trans.
L=SE	B=RHD (2WD)			DBB=All Manual Trans.

AR = Use as required - = Non illustrated part # = New this model year

April 5, 2002

Door, Front, Lock and Controls  
Figure DXJ-130



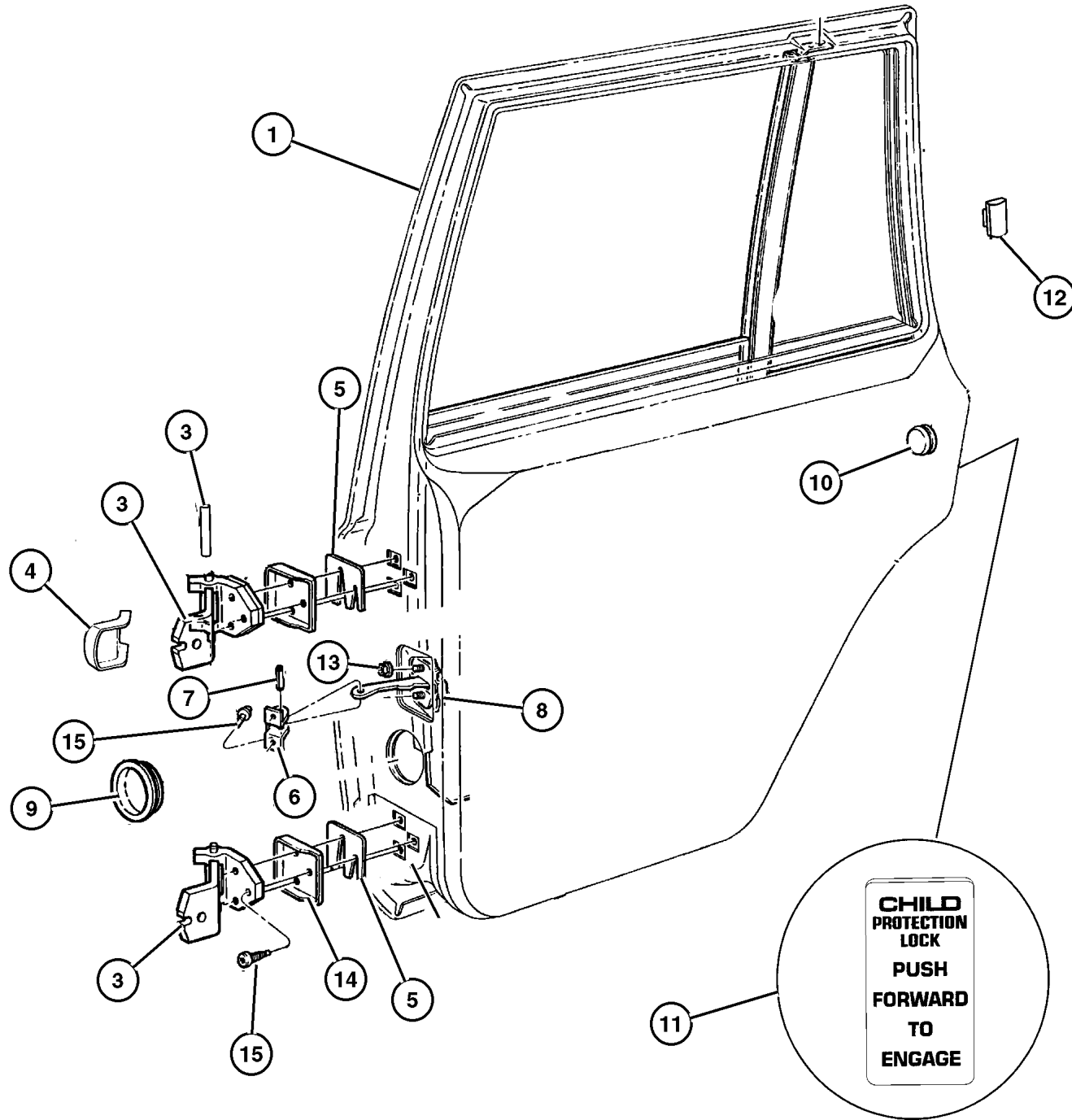
ITEM	PART NUMBER	QTY	LINE	SERIES	BODY	DESCRIPTION
1						LATCH PKG, FRONT DOOR
	4798 914AC	1				Right
	4798 915AC	1				Left
2	6033 876	6				SCREW, Tapping, M6.3x1.8x38.1
3	5500 2368	2				PLUG, Door Latch
4						ROD, Outside Handle to Latch
	5507 6226	1	J, T, U		72	Right
	5507 6227	1	J, T, U		72	Left
	5523 5318	1			74	Right
	5523 5319	1			74	Left
5	6503 226	4				NUT, Hex Flange, M5x.8
6						HANDLE, Exterior Door
	55076 056AB	1			74	Right
	55076 057AB	1			74	Left
7						LINK, Key Cylinder To Latch
	5507 6046	1	J, T, U		72	Right
	5507 6047	1	J, T, U		72	Left
	5523 5326	1			74	Right
	5523 5327	1			74	Left
8						LINK, Latch Release
	55076 040AB	1			74	Right
	55076 041AB	1			74	Left
	55076 316AC	1	J, T, U		72	Right
	55076 317AC	1	J, T, U		72	Left
9						ROD, Inside Lock to Latch
	55076 272AC	1			74	Right
	55076 273AC	1			74	Left
	55076 320AB	1	J, T, U		72	Right
	55076 321AB	1	J, T, U		72	Left
10						HANDLE, Door Interior, 6505449AA Rivet
	5507 6054	1			74	Right
		1	J, T		72	Right
	5507 6055	1			74	Left
		1	J, T		72	Left

JEEP CHEROKEE (XJ)				
SERIES	LINE	BODY	ENGINE	TRANSMISSION
P=Classic	J=LHD (4WD)	74=4 Dr.(101.4WB)	ENC,EN0=2.5L 4 cyl. Turbo Die	DDD, DDQ=5 spd. Man.
S=Limited	U=RHD (4WD)	72=2 Dr.(101.4WB)	ERH,ER0=4.0L Power Tech I-6	DGS=4 spd. Auto. AISIN
H=Sport	T=LHD (2WD)		EPE,EP0=Magnum 2.5L SMPI	DG0=All Auto/Trans.
L=SE	B=RHD (2WD)			DBB=All Manual Trans.

AR = Use as required - = Non illustrated part # = New this model year

April 5, 2002

**Door, Rear, Shell and Hinges  
Figure DXJ-210**



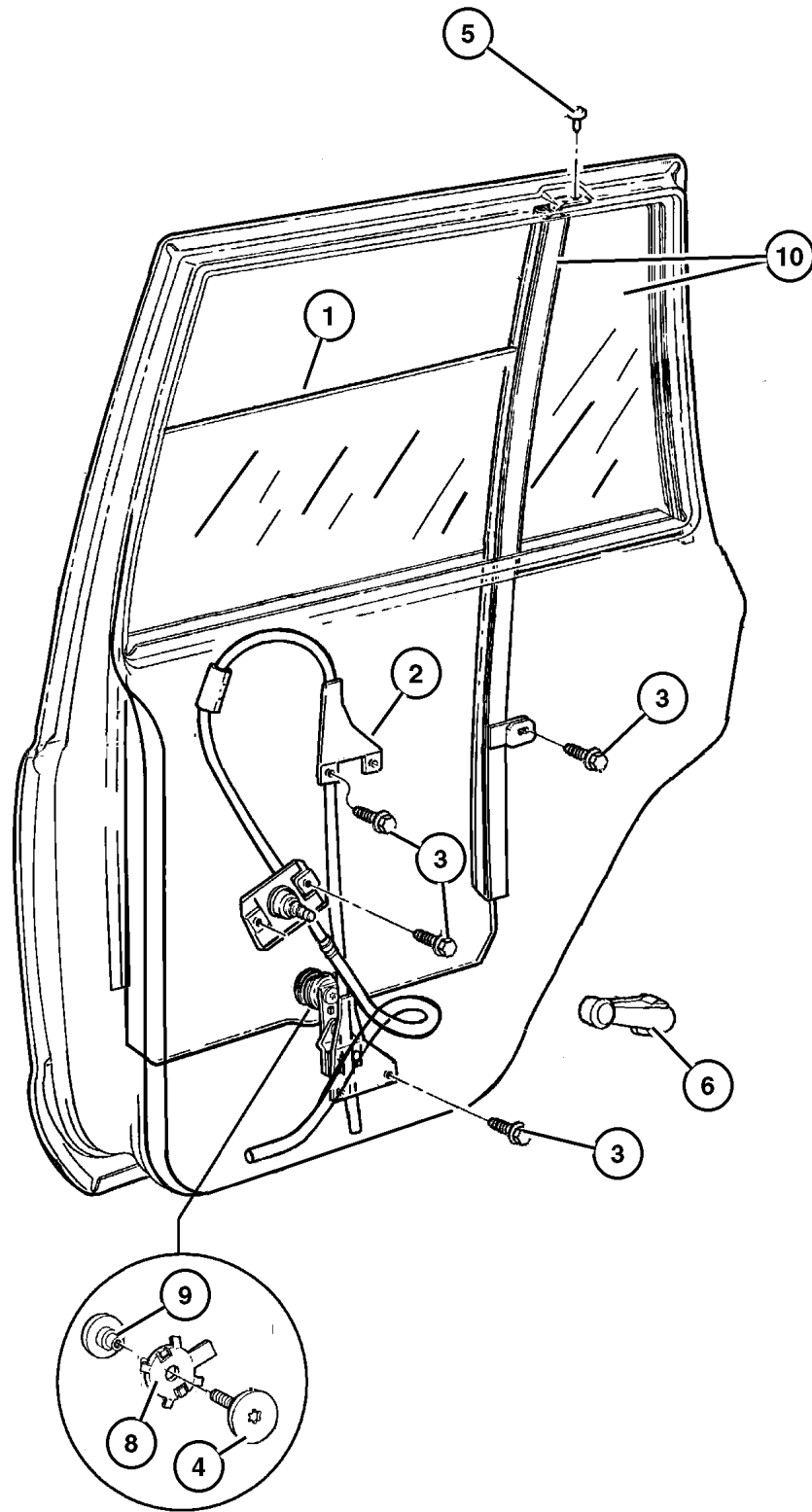
ITEM	PART NUMBER	QTY	LINE	SERIES	BODY	DESCRIPTION
1						DOOR, Rear
	55235 904AA	1			74	Right
	55235 905AA	1			74	Left
-2						PANEL, Door Outer Repair
	5013 888AA	1			74	Right
	5013 889AA	1			74	Left
3	55235 369AC	4			74	HINGE, Door
4	55235 822AA	4			74	COVER, Body Half Hinge
5						SHIM, Door Hinge Plate, (NOT REQUIRED)
6	5500 2361	2				BRACKET, Check Arm
7	5501 2900	2				PIN, Check Arm
8	55075 259AB	2			74	CHECK, Rear Door
9	5500 2367	2				PLUG, Door Wiring Conduit
10	4854 035	1				PLUG, Access Hole
11	4615 722AB	2			74	LABEL, Child Protection Lock, English
12	55235 957AA	4			74	SHIM, Door Hinge
13						NUT, (NOT SERVICED)
14						TAPPING PLATE, Door Hinge
	5500 0248	1			74	Right
	5500 0249	1			74	Left
15						SCREW, (NOT SERVICED)

JEEP CHEROKEE (XJ)				
SERIES	LINE	BODY	ENGINE	TRANSMISSION
P=Classic	J=LHD (4WD)	74=4 Dr.(101.4WB)	ENC,EN0=2.5L 4 cyl. Turbo Die	DDD, DDQ=5 spd. Man.
S=Limited	U=RHD (4WD)	72=2 Dr.(101.4WB)	ERH,ER0=4.0L Power Tech I-6	DGS=4 spd. Auto. AISIN
H=Sport	T=LHD (2WD)		EPE,EP0=Magnum 2.5L SMPI	DG0=All Auto/Trans.
L=SE	B=RHD (2WD)			DBB=All Manual Trans.

AR = Use as required - = Non illustrated part # = New this model year

April 5, 2002

**Door, Rear, Glass and Regulator  
Figure DXJ-220**



ITEM	PART NUMBER	QTY	LINE	SERIES	BODY	DESCRIPTION
1						GLASS, Rear Door
	5500 0590	1			74	Tinted, Right
	5500 0591	1			74	Tinted, Left
	55175 066AB	1			74	Privacy, Right
	55175 067AB	1			74	Privacy, Left
2						REGULATOR, Rear Door Window
	55076 292AD	1			74	Manual, Right
	55076 293AD	1			74	Manual, Left
	55154 960AE	1			74	Electric, Right
	55154 961AE	1			74	Electric, Left
3	6504 357	4			74	SCREW AND WASHER, Hex Head, M6x1x12
4	5515 4752	2			74	SCREW FASTNER, Glass To Regulator, M6
5						SCREW, (NOT SERVICED)
6	FW80 SK5	2	J, T, U			HANDLE, Window Regulator, Tan
-7						NUT, U Multi Thread, M4 x .70 x 17.00, (NOT SERVICED)
8	4415 943	4				RETAINER, Glass to Liftplate
9	4415 943	4				RETAINER, Glass to Liftplate
10						GLASS, Rear Door
	55235 562AB	1			74	Privacy, Right
	55235 563AB	1			74	Privacy, Left
	5523 5564	1			74	Tinted, Right
	5523 5565	1			74	Tinted, Left
-11	4615 722AB	2			74	LABEL, Child Protection Lock, English

**JEEP CHEROKEE (XJ)**

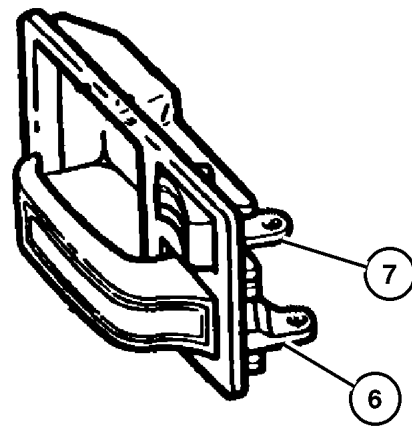
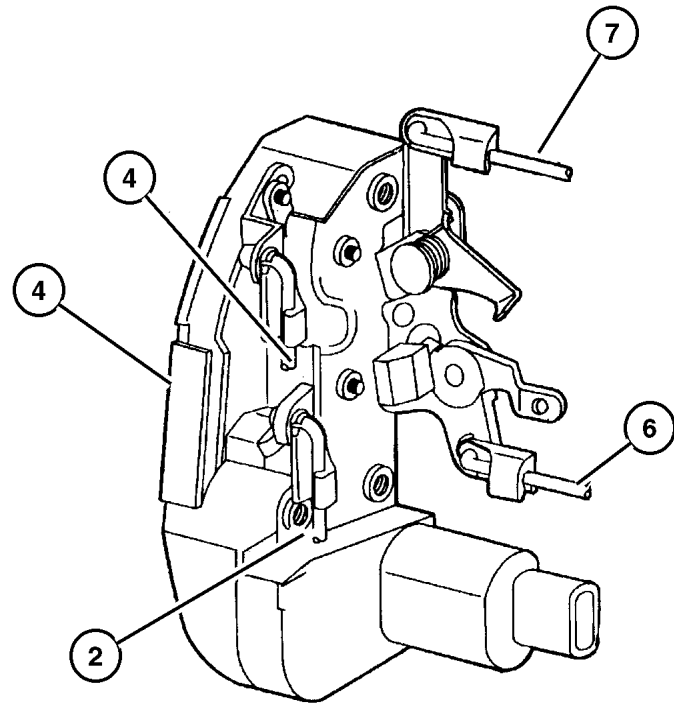
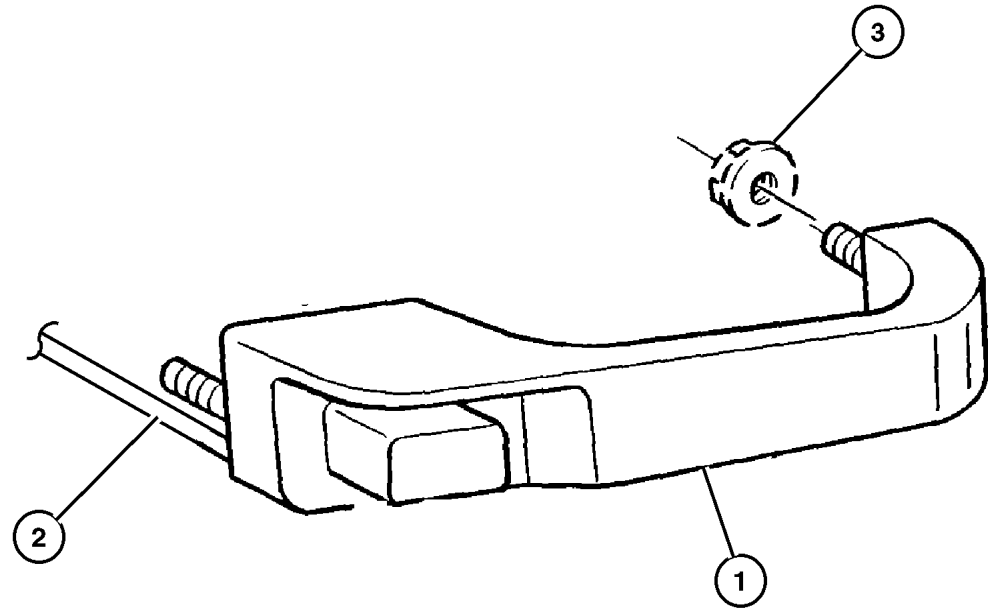
SERIES	LINE	BODY	ENGINE	TRANSMISSION
P=Classic	J=LHD (4WD)	74=4 Dr.(101.4WB)	ENC,EN0=2.5L 4 cyl. Turbo Die	DDD, DDQ=5 spd. Man.
S=Limited	U=RHD (4WD)	72=2 Dr.(101.4WB)	ERH,ER0=4.0L Power Tech I-6	DGS=4 spd. Auto. AISIN
H=Sport	T=LHD (2WD)		EPE,EP0=Magnum 2.5L SMPI	DG0=All Auto/Trans.
L=SE	B=RHD (2WD)			DBB=All Manual Trans.

AR = Use as required - = Non illustrated part # = New this model year

April 5, 2002



Door, Rear, Lock and Controls  
Figure DXJ-230



ITEM	PART NUMBER	QTY	LINE	SERIES	BODY	DESCRIPTION
1						HANDLE, Exterior Door
	55076 056AB	1			74	Right
	55076 057AB	1			74	Left
2						ROD, Outside Handle to Latch
	5507 6368	1			74	Right
	5507 6369	1			74	Left
3	6503 226	4				NUT, Hex Flange, M5x.8
4						LATCH, Door Manual with Child Guard
	55235 204AB	1			74	With Manual Locks, Right
	55235 205AB	1			74	With Manual Locks, Left
-5						LATCH, Rear Door
	55235 202AC	1			74	With Power Locks, Right
	55235 203AC	1			74	With Power Locks, Left
6						ROD, Inside Handle to Latch
	55076 070AC	1			74	Right
	55076 071AC	1			74	Left
7						ROD, Inside Lock to Latch
	55076 272AC	1			74	Right
	55076 273AC	1			74	Left

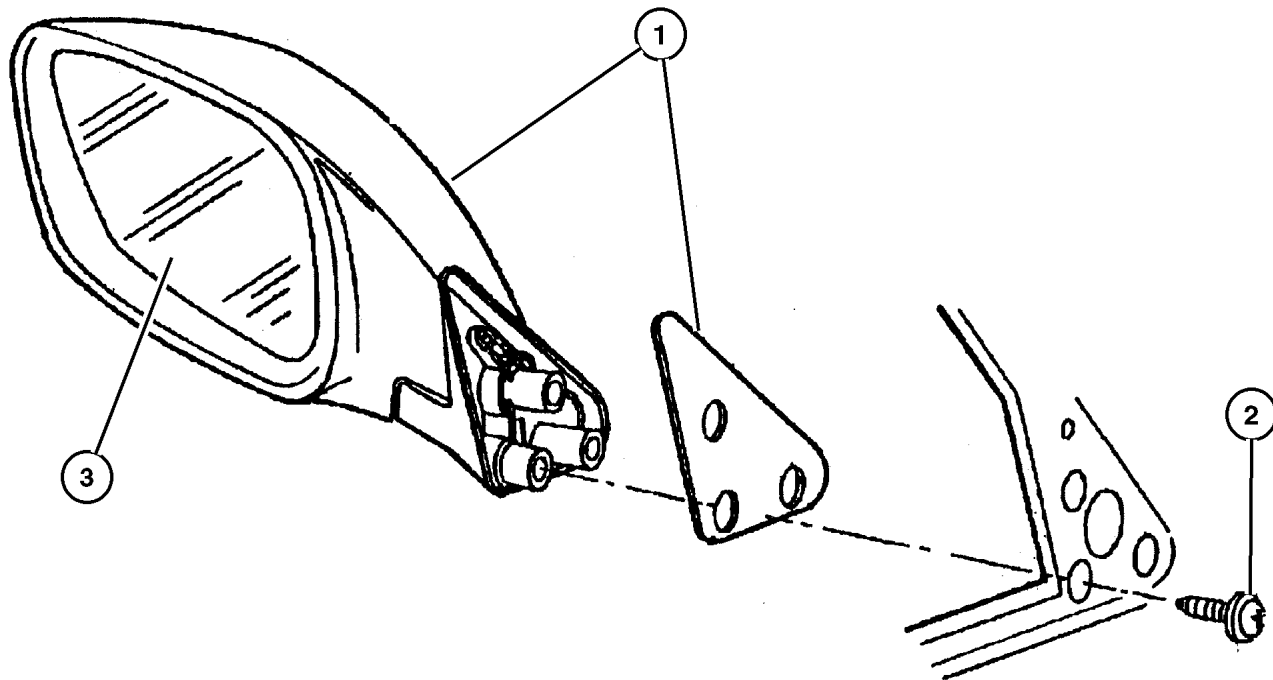
JEEP CHEROKEE (XJ)				
SERIES	LINE	BODY	ENGINE	TRANSMISSION
P=Classic	J=LHD (4WD)	74=4 Dr.(101.4WB)	ENC,EN0=2.5L 4 cyl. Turbo Die	DDD, DDQ=5 spd. Man.
S=Limited	U=RHD (4WD)	72=2 Dr.(101.4WB)	ERH,ER0=4.0L Power Tech I-6	DGS=4 spd. Auto. AISIN
H=Sport	T=LHD (2WD)		EPE,EP0=Magnum 2.5L SMPI	DG0=All Auto/Trans.
L=SE	B=RHD (2WD)			DBB=All Manual Trans.

AR = Use as required - = Non illustrated part # = New this model year

April 5, 2002

## Mirrors, Exterior Figure DXJ-510

ITEM	PART NUMBER	QTY	LINE	SERIES	BODY	DESCRIPTION
1						MIRROR, Outside Rearview
	55154 946AC	1	J, T			Black Manual Foldaway, Right
	55154 947AC	1	J, T			Black Manual Foldaway, Left
	55154 948AC	1				Black Electric Foldaway, Right
	55154 949AC	1				Black Electric Foldaway, Left
	55154 950AC	1				Electric Heated Foldaway, Right
	55154 951AC	1	J, T			Electric Heated Foldaway, Left
	55154 952AC	1	B, U			Electric Heated, Right
	55154 953AC	1	B, U			Electric Heated, Left
	55155 654AC	1	J, T			Manual Gulf Foldaway, Right
	55155 655AC	1	J, T			Manual Gulf Foldaway, Left
	55156 024AC	1	B, U			Black Manual Remote, Right
	55156 025AC	1	B, U			Black Manual Remote, Left
2						SCREW, Pan Head, .25-20x.620, (NOT SERVICED)
3						GLASS, Mirror Replacement
	5012 210AA	1				For 55154946AC, 55154948AC Mirror, Right
	5012 211AA	1				For 55154947AC, 55154949AC Mirror, Left
	5012 212AA	1				For 55154950AC Mirror, Right
	5012 213AA	1	J, T			For 55154951AC Mirror, Left
	5012 214AA	1	B, U			For 55156024AC Mirror, Right
	5012 215AA	1	B, U			For 55156025AC Mirror, Left
	5012 216AA	1	B, U			For 55154952AC Mirror, Right
	5012 217AA	1	B, U			For 55154953AC Mirror, Left
	5012 218AA	1	J, T			For 55155654AC Mirror, Right
	5012 220AA	1	J, T			For 55155655Ac Mirror, Right



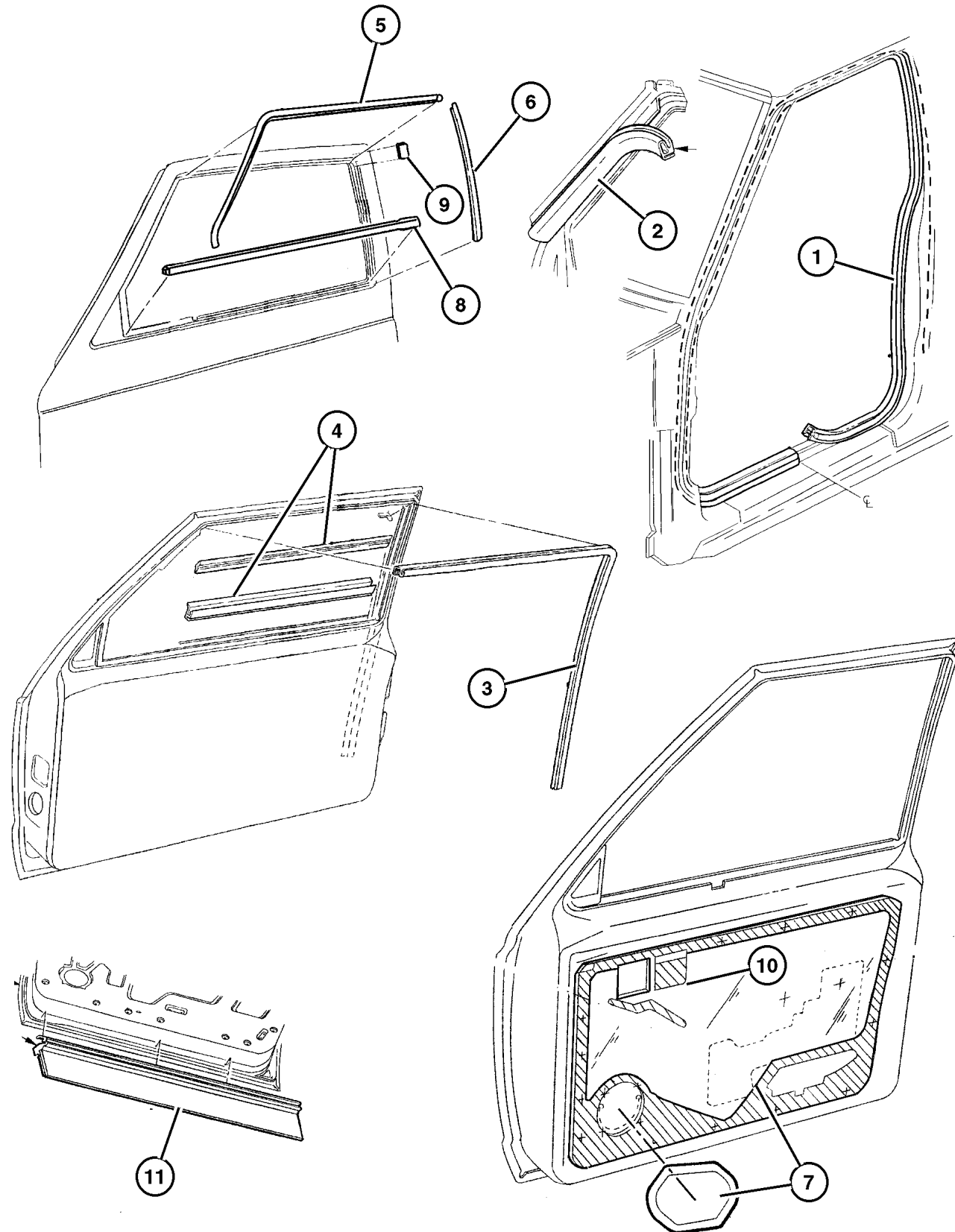
### JEEP CHEROKEE (XJ)

SERIES	LINE	BODY	ENGINE	TRANSMISSION
P=Classic	J=LHD (4WD)	74=4 Dr.(101.4WB)	ENC,EN0=2.5L 4 cyl. Turbo Die	DDD, DDQ=5 spd. Man.
S=Limited	U=RHD (4WD)	72=2 Dr.(101.4WB)	ERH,ER0=4.0L Power Tech I-6	DGS=4 spd. Auto. AISIN
H=Sport	T=LHD (2WD)		EPE,EP0=Magnum 2.5L SMPI	DG0=All Auto/Trans.
L=SE	B=RHD (2WD)			DBB=All Manual Trans.

AR = Use as required - = Non illustrated part # = New this model year

April 5, 2002

# Door, Front Figure DXJ-610



ITEM	PART NUMBER	QTY	LINE	SERIES	BODY	DESCRIPTION
1						WEATHERSEAL, Full Door To Body
	55176 148AC	2			74	Secondary
	55176 146AC	2	J, T, U		72	
2	55175 355AD	2				SEAL, Door
3						WEATHERSTRIP, Glass Channel Run
	55175 352AC	1			74	Right
	55175 353AC	1			74	Left
	55175 368AC	1	J, T, U		72	Right
	55175 369AC	1	J, T, U		72	Left
4						WEATHERSTRIP, Door Belt
	5517 5358	1			74	Inner, Right
	5517 5359	1			74	Inner, Left
	55175 372AB	1	J, T, U		72	Outer, Right
	55175 373AB	1	J, T, U		72	Outer, Left
5						MOLDING, Door
	55176 194AB	1			74	Right
	55176 195AB	1			74	Left
	55176 196AB	1	J, T, U		72	Right
	55176 197AB	1	J, T, U		72	Left
6						MOLDING, Front Door Frame
	5523 5778	1				Right
	5523 5779	1				Left
7						WATERDAM, Front Door
	#55235 982AC	1	J, T, U		72	Right
	#55235 983AC	1	J, T, U		72	Left
	#55235 984AC	1			74	Right
	#55235 985AC	1			74	Left
8						WEATHERSTRIP, Door Belt
	55175 360AB	1			74	Right
	55175 361AB	1			74	Left
9	5500 4920	AR				SHIM
10						WATERSHIELD, Front Door
	5502 7146	1			74	Right
	5502 7147	1			74	Left
11						SEAL, Door, (NOT REQUIRED)

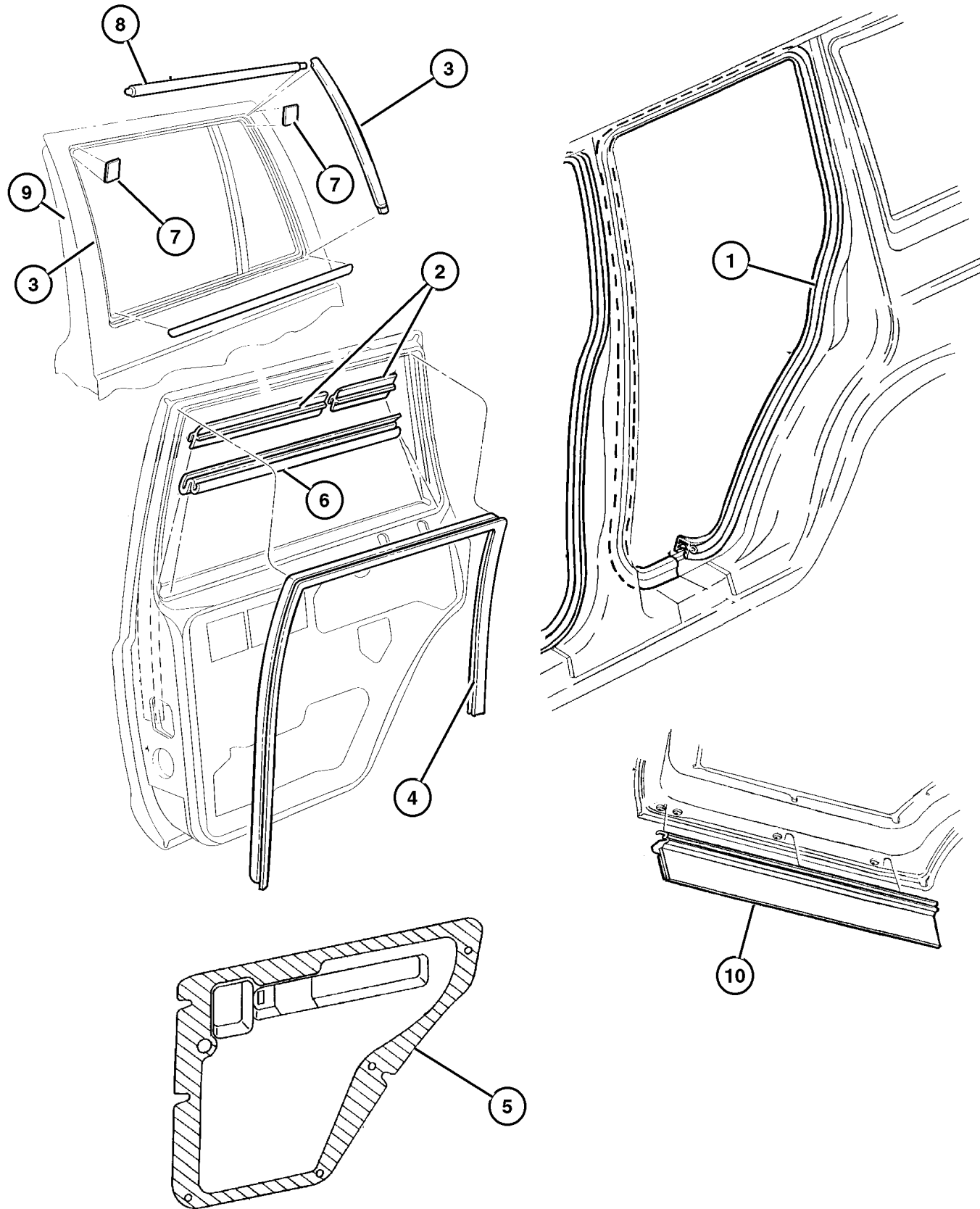
**JEEP CHEROKEE (XJ)**

SERIES	LINE	BODY	ENGINE	TRANSMISSION
P=Classic	J=LHD (4WD)	74=4 Dr.(101.4WB)	ENC,EN0=2.5L 4 cyl. Turbo Die	DDD, DDQ=5 spd. Man.
S=Limited	U=RHD (4WD)	72=2 Dr.(101.4WB)	ERH,ER0=4.0L Power Tech I-6	DGS=4 spd. Auto. AISIN
H=Sport	T=LHD (2WD)		EPE,EP0=Magnum 2.5L SMPI	DG0=All Auto/Trans.
L=SE	B=RHD (2WD)			DBB=All Manual Trans.

AR = Use as required - = Non illustrated part # = New this model year

April 5, 2002

**Door, Rear  
Figure DXJ-620**



ITEM	PART NUMBER	QTY	LINE	SERIES	BODY	DESCRIPTION
1	55175 351AC	2			74	WEATHERSEAL, Full Door To Body
2	55175 952AB	2			74	WEATHERSTRIP, Belt, Outer
3						MOLDING, Rear Door Frame
	5523 5780	2			74	Right
	5523 5781	2			74	Left
4						WEATHERSTRIP, Door Glass Run
	55175 356AC	1			74	Right
	55175 357AC	1			74	Left
5						WATERDAM, Rear Door
	55235 986AB	1			74	Right
	55235 987AB	1			74	Left
6	5517 5948	2			74	WEATHERSTRIP, Belt, Inner
7	5500 4920	AR				SHIM
8	55175 838AB	2			74	MOLDING, Rear Door Frame Upr, Upper
9	55235 791AB	2			74	WEATHERSTRIP, B Pillar Secondary
10						SEAL, Door, (NOT REQUIRED)

<b>JEEP CHEROKEE (XJ)</b>				
SERIES	LINE	BODY	ENGINE	TRANSMISSION
P=Classic	J=LHD (4WD)	74=4 Dr.(101.4WB)	ENC,EN0=2.5L 4 cyl. Turbo Die	DDD, DDQ=5 spd. Man.
S=Limited	U=RHD (4WD)	72=2 Dr.(101.4WB)	ERH,ER0=4.0L Power Tech I-6	DGS=4 spd. Auto. AISIN
H=Sport	T=LHD (2WD)		EPE,EP0=Magnum 2.5L SMPI	DG0=All Auto/Trans.
L=SE	B=RHD (2WD)			DBB=All Manual Trans.

AR = Use as required - = Non illustrated part # = New this model year

April 5, 2002

# Group – EXJ

## Exterior Ornamentation

### GROUP EXJ - Exterior Ornamentation

Illustration Title

Group-Fig. No.

#### Nameplates

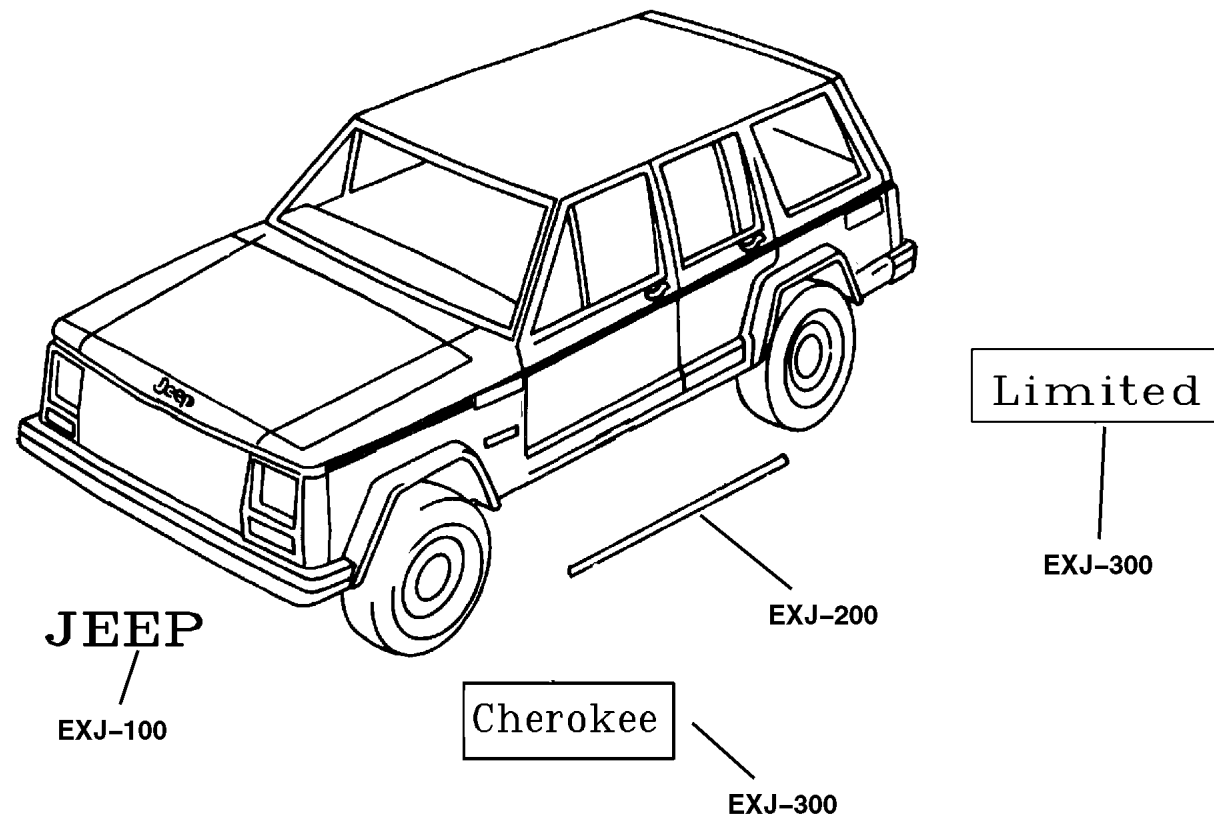
Nameplates ..... Fig. EXJ-110




#### Moldings and Ornamentation

Moldings Body Side ..... Fig. EXJ-215

#### Decals and Tapestripes

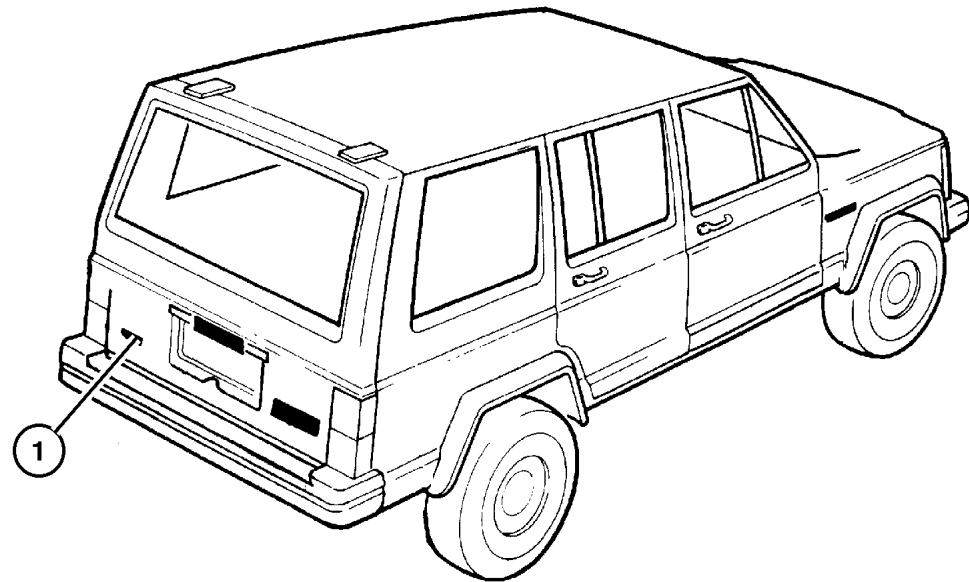
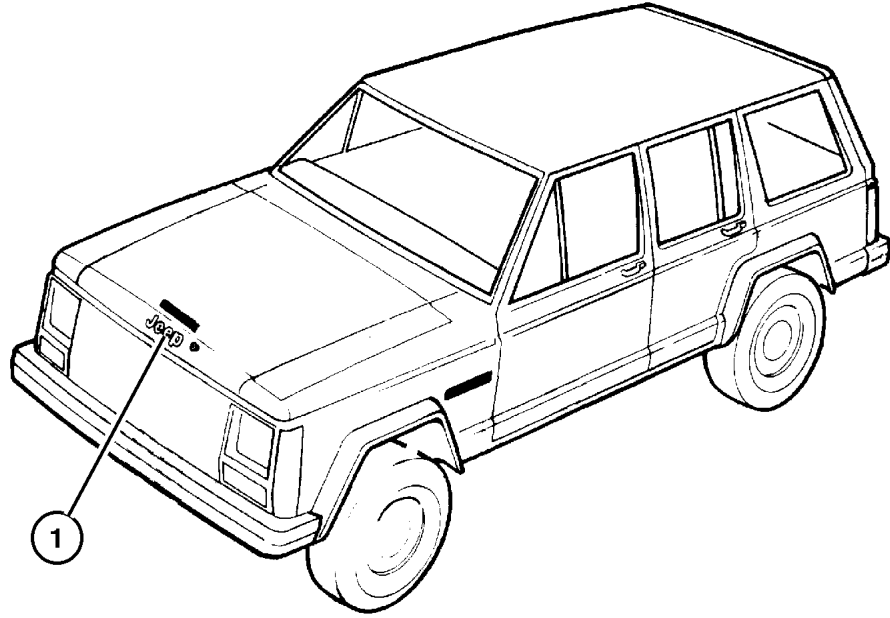
Decals ..... Fig. EXJ-310



EXJ-100 Nameplates	EXJ-200 Moldings and Ornamentation	EXJ-300 Decals and Tapestripes	
			

Nameplates  
Figure EXJ-110

ITEM	PART NUMBER	QTY	LINE	SERIES	BODY	DESCRIPTION
1						NAMEPLATE, Jeep
	5EM8 7SA1	1				Silver
	5515 5622	2	J, U			Chrome



JEEP CHEROKEE (XJ)				
SERIES	LINE	BODY	ENGINE	TRANSMISSION
P=Classic	J=LHD (4WD)	74=4 Dr.(101.4WB)	ENC,EN0=2.5L 4 cyl. Turbo Die	DDD, DDQ=5 spd. Man.
S=Limited	U=RHD (4WD)	72=2 Dr.(101.4WB)	ERH,ER0=4.0L Power Tech I-6	DGS=4 spd. Auto. AISIN
H=Sport	T=LHD (2WD)		EPE,EP0=Magnum 2.5L SMPI	DG0=All Auto/Trans.
L=SE	B=RHD (2WD)			DBB=All Manual Trans.

AR = Use as required - = Non illustrated part # = New this model year

April 5, 2002

**Moldings Body Side  
Figure EXJ-215**

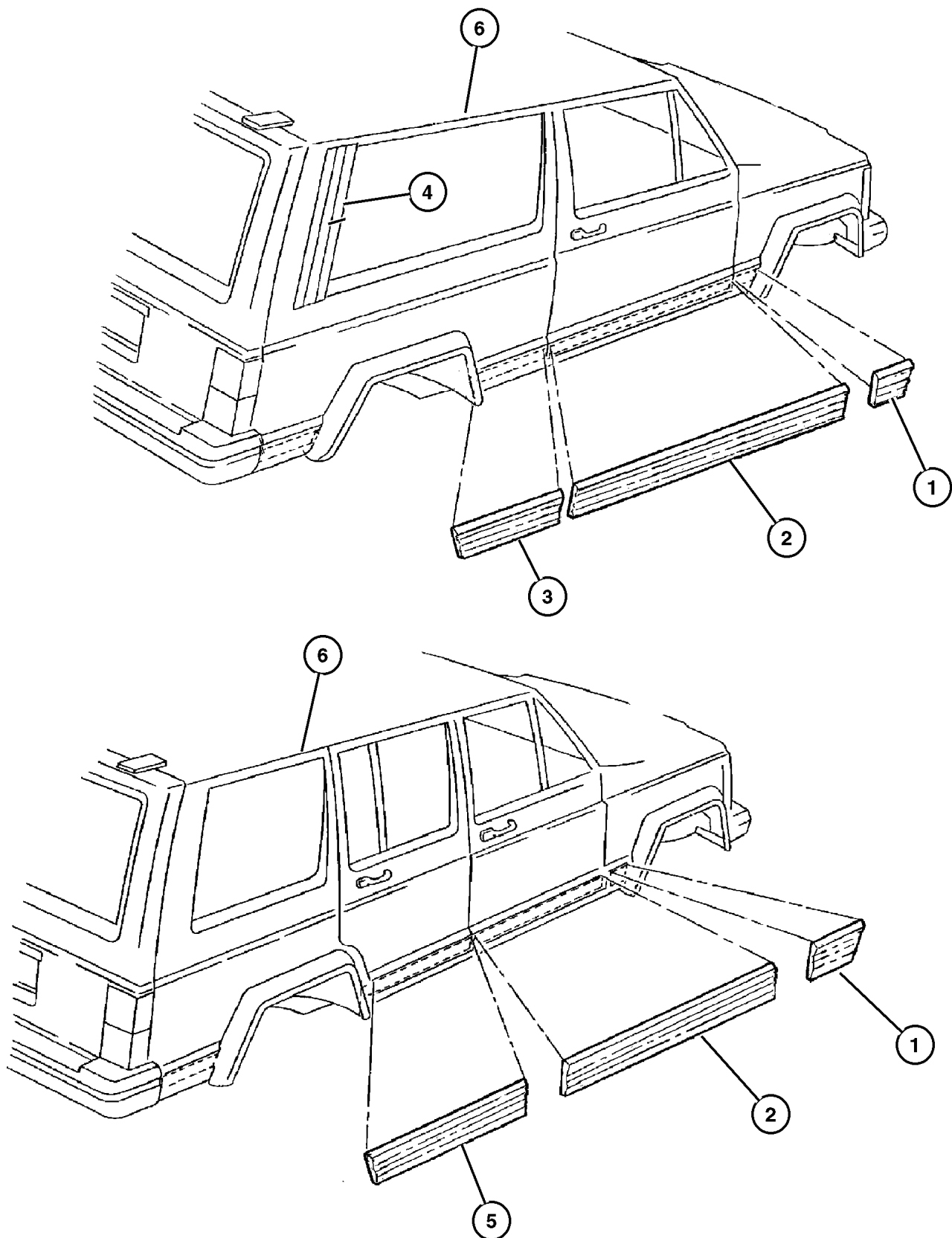
ITEM	PART NUMBER	QTY	LINE	SERIES	BODY	DESCRIPTION
1	MOLDING, Fender					
	5DY12 DX9AB	1		H		Black w/o Country Package, Right
	5DY13 DX9AB	1		H		Black w/o Country Package, Left
	5EM46 DX8AB	1		P		Black w/Country Package, Right
	5EM46 PR4AB	1		P		Red w/Country Package, Right
	5EM46 RJPAB	1		P		Moss Green w/Country Package, Right
	5EM46 SG8AB	1		P		Green w/Country Package, Right
	5EM46 SW1AB	1		P		White w/Country Package, Right
	5EM46 WBTAB	1		P		Patriot Blue w/Country Package, Right
	5EM46 WTDAB	1		P		Desert Sand w/Country Package, Right
	5EM46 WU7AB	1		P		Black Pearl Coat w/Country Package, Right
	5EM46 XS5AB	1		P		Dark Gray w/Country Package, Right
	5EM47 DX8AB	1		P		Black w/Country Package, Left
	5EM47 PR4AB	1		P		Red w/Country Package, Left
	5EM47 RJPAB	1		P		Moss Green w/Country Package, Left
	5EM47 SG8AB	1		P		Green w/Country Package, Left
	5EM47 SW1AB	1		P		White w/Country Package, Left
	5EM47 WBTAB	1		P		Patriot Blue w/Country Package, Left
	5EM47 WTDAB	1		P		Desert Sand w/Country Package, Left
	5EM47 WU7AB	1		P		Black Pearl Coat w/Country Package, Left
	5EM47 XS5AB	1		P		Dark Gray w/Country Package, Left
2	MOLDING, Front Door					
	5DY14 DX9AC	1	J, T, U	H	72	Black w/o Country Package, Right
	5DY15 DX9AC	1	J, T, U	H	72	Black w/o Country Package, Left
	5DY16 DX9AC	1		H	74	Black w/o Country Package, Right
	5DY17 DX9AC	1		H	74	Black w/o Country Package, Left
	5EM56 DX8AC	1		P, S	74	Black w/Country Package, Right
	5EM56 PR4AC	1		P, S	74	Red w/Country Package, Right
	5EM56 RJPAC	1		P, S	74	Moss Green w/Country Package, Right
	5EM56 SG8AC	1		P, S	74	Green w/Country Package, Right
	5EM56 SW1AC	1		P, S	74	White w/Country Package, Right
	5EM56 WBTAC	1		P, S	74	Patriot Blue w/Country Package, Right
	5EM56 WTDAC	1		P, S	74	Desert Sand w/Country Package, Right
	5EM56 WU7AC	1		P, S	74	Black Pearl Coat w/Country Package, Right
	5EM56 XS5AC	1		P, S	74	Dark Gray w/Country Package, Right
	5EM57 DX8AC	1		P, S	74	Black w/Country Package, Left
	5EM57 PR4AC	1		P, S	74	Red w/Country Package, Left
	5EM57 RJPAC	1		P, S	74	Moss Green w/Country Package, Left
	5EM57 SG8AC	1		P, S	74	Green w/Country Package, Left
	5EM57 SW1AC	1		P, S	74	White w/Country Package, Left
	5EM57 WBTAC	1		P, S	74	Patriot Blue w/Country Package, Left
	5EM57 WTDAC	1		P, S	74	Desert Sand w/Country Package, Left

**JEEP CHEROKEE (XJ)**

SERIES	LINE	BODY	ENGINE	TRANSMISSION
P=Classic	J=LHD (4WD)	74=4 Dr.(101.4WB)	ENC,EN0=2.5L 4 cyl. Turbo Die	DDD, DDQ=5 spd. Man.
S=Limited	U=RHD (4WD)	72=2 Dr.(101.4WB)	ERH,ER0=4.0L Power Tech I-6	DGS=4 spd. Auto. AISIN
H=Sport	T=LHD (2WD)		EPE,EP0=Magnum 2.5L SMPI	DG0=All Auto/Trans.
L=SE	B=RHD (2WD)			DBB=All Manual Trans.

AR = Use as required - = Non illustrated part # = New this model year

April 5, 2002



**Moldings Body Side  
Figure EXJ-215**

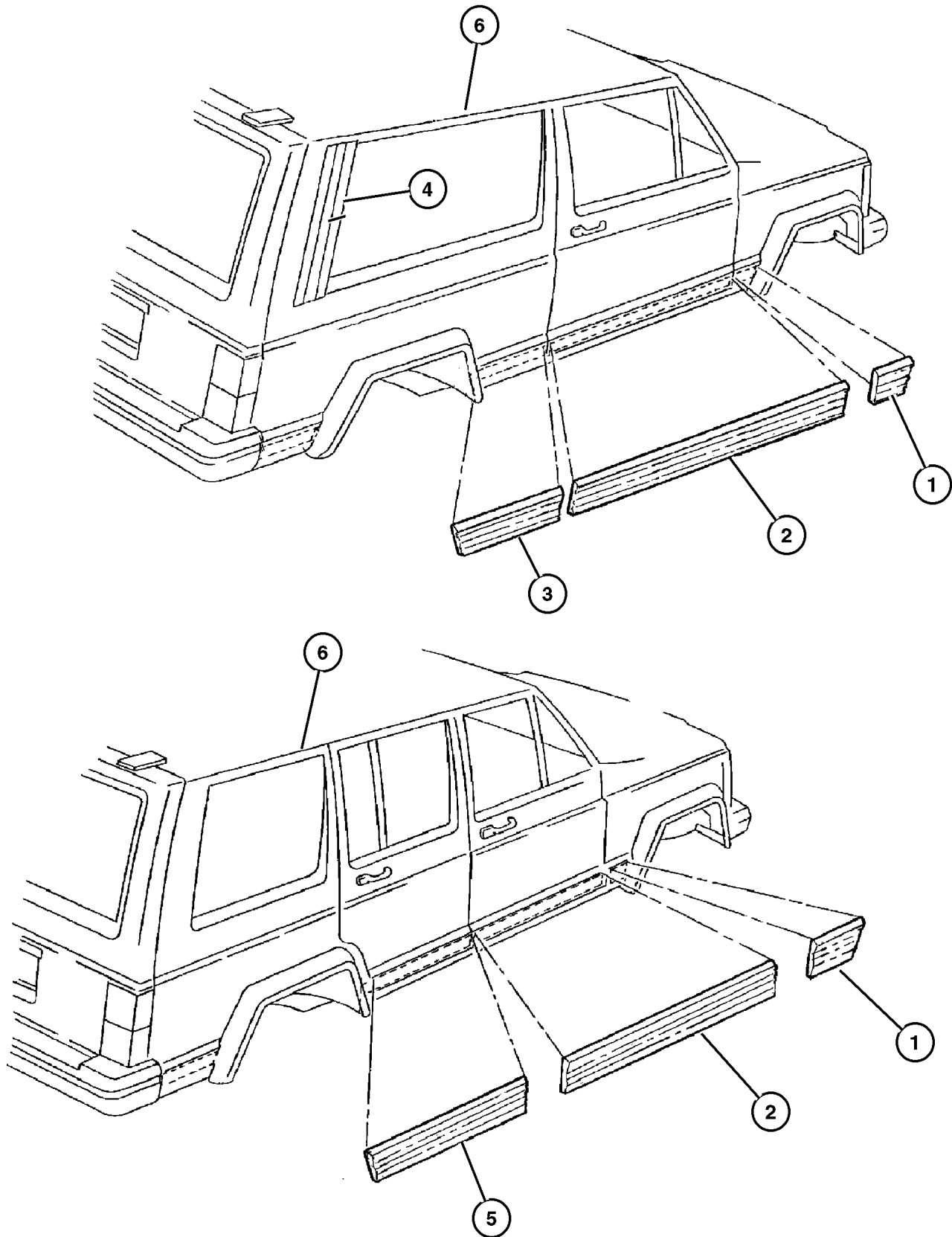
ITEM	PART NUMBER	QTY	LINE	SERIES	BODY	DESCRIPTION
	5EM57 WU7AC	1		P, S	74	Black Pearl Coat w/Country Package, Left
	5EM57 XS5AC	1		P, S	74	Dark Gray w/Country Package, Left
3	5DY26 DX9AC	1	J, T, U	H	72	MOLDING, Quarter Panel Right
	5DY27 DX9AC	1	J, T, U	H	72	Left
4						APPLIQUE, Quarter Window
	5502 5788	1	J, T, U		72	Right
	5502 5789	1	J, T, U		72	Left
5						MOLDING, Rear Door
	5DY18 DX9AC	1		H	74	Black w/o Country Package, Right
	5DY19 DX9AC	1		H	74	Black w/o Country Package, Left
	5EM58 DX8AC	1		P, S	74	Black w/Country Package, Right
	5EM58 PR4AC	1		P, S	74	Red w/Country Package, Right
	5EM58 RJPAC	1		P, S	74	Moss Green w/Country Package, Right
	5EM58 SG8AC	1		P, S	74	Green w/Country Package, Right
	5EM58 SW1AC	1		P, S	74	White w/Country Package, Right
	5EM58 WBTAC	1		P, S	74	Patriot Blue w/Country Package, Right
	5EM58 WTDAC	1		P, S	74	Desert Sand w/Country Package, Right
	5EM58 WU7AC	1		P, S	74	Black Pearl Coat w/Country Package, Right
	5EM58 XS5AC	1		P, S	74	Dark Gray w/Country Package, Right
	5EM59 DX8AC	1		P, S	74	Black w/Country Package, Left
	5EM59 PR4AC	1		P, S	74	Red w/Country Package, Left
	5EM59 RJPAC	1		P, S	74	Moss Green w/Country Package, Left
	5EM59 SG8AC	1		P, S	74	Green w/Country Package, Left
	5EM59 SW1AC	1		P, S	74	White w/Country Package, Left
	5EM59 WBTAC	1		P, S	74	Patriot Blue w/Country Package, Left
	5EM59 WTDAC	1		P, S	74	Desert Sand w/Country Package, Left
	5EM59 WU7AC	1		P, S	74	Black Pearl Coat w/Country Package, Left
	5EM59 XS5AC	1		P, S	74	Dark Gray w/Country Package, Left
6						MOLDING, Drip Rail
	4856 714	1				Right
	4856 715	1				Left
-7	5523 5518	10				CLIP, Roof Drip Molding

**JEEP CHEROKEE (XJ)**

SERIES	LINE	BODY	ENGINE	TRANSMISSION
P=Classic	J=LHD (4WD)	74=4 Dr.(101.4WB)	ENC,EN0=2.5L 4 cyl. Turbo Die	DDD, DDQ=5 spd. Man.
S=Limited	U=RHD (4WD)	72=2 Dr.(101.4WB)	ERH,ER0=4.0L Power Tech I-6	DGS=4 spd. Auto. AISIN
H=Sport	T=LHD (2WD)		EPE,EP0=Magnum 2.5L SMPI	DG0=All Auto/Trans.
L=SE	B=RHD (2WD)			DBB=All Manual Trans.

AR = Use as required - = Non illustrated part # = New this model year

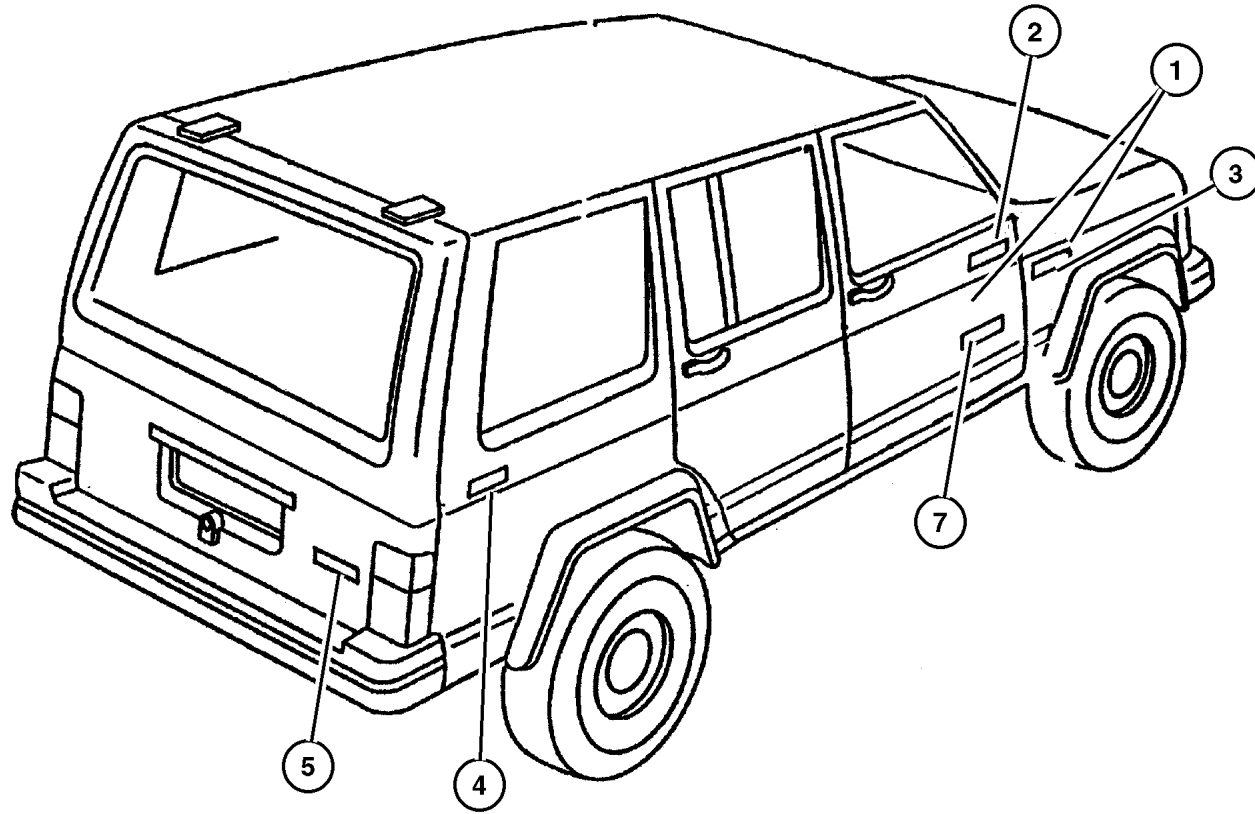
April 5, 2002





**Decals  
Figure EXJ-310**

ITEM	PART NUMBER	QTY	LINE	SERIES	BODY	DESCRIPTION
1	5GN26 CA1AA	2				DECAL, Sport, Silver
2	5FY12 CA1AA	2		P	74	DECAL, Country, Silver
3						DIMENSIONAL GRAPHIC
	5GC82 CA1AA	2				Cherokee, Silver
	#55156 022AA	2				Cherokee, Chrome
	#55156 023AA	2				Limited, Chrome
	#55156 026AA	1				4.0 Litre
4						NAMEPLATE, Jeep
	5EM8 7SA1	1				Silver
	5515 5622	2	J, U			Chrome
5	#5HD22 CA1AA	1				DECAL, 4.0 Litre High Output
-6	5FJ6 5CA1	1				DECAL, Liftgate, Turbo Diesel
7	5GM60 CA1AA	2				DECAL, Front Door, Classic
-8	5515 5623	2	J, U			NAMEPLATE, Chrome, 4x4
-9	#5HK95 YB5AA	2				DECAL, Freedom
-10	5EM8 9SA1	2	J, U			NAMEPLATE, Jeep, '4x4'



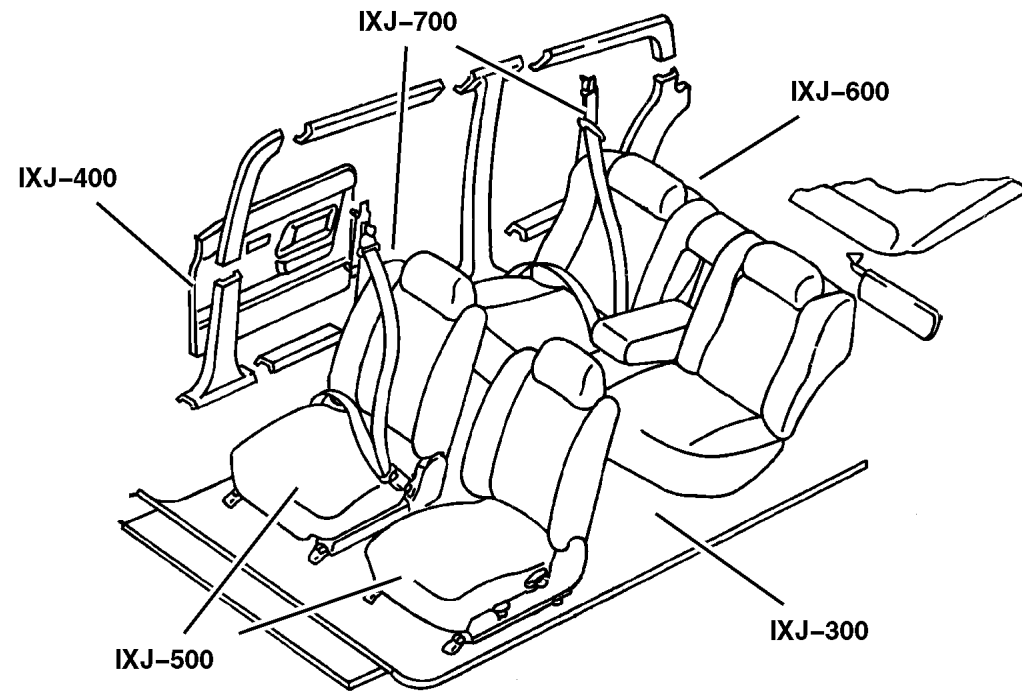
JEEP CHEROKEE (XJ)				
SERIES	LINE	BODY	ENGINE	TRANSMISSION
P=Classic	J=LHD (4WD)	74=4 Dr.(101.4WB)	ENC,EN0=2.5L 4 cyl. Turbo Die	DDD, DDQ=5 spd. Man.
S=Limited	U=RHD (4WD)	72=2 Dr.(101.4WB)	ERH,ER0=4.0L Power Tech I-6	DGS=4 spd. Auto. AISIN
H=Sport	T=LHD (2WD)		EPE,EP0=Magnum 2.5L SMPI	DG0=All Auto/Trans.
L=SE	B=RHD (2WD)			DBB=All Manual Trans.

AR = Use as required - = Non illustrated part # = New this model year

April 5, 2002

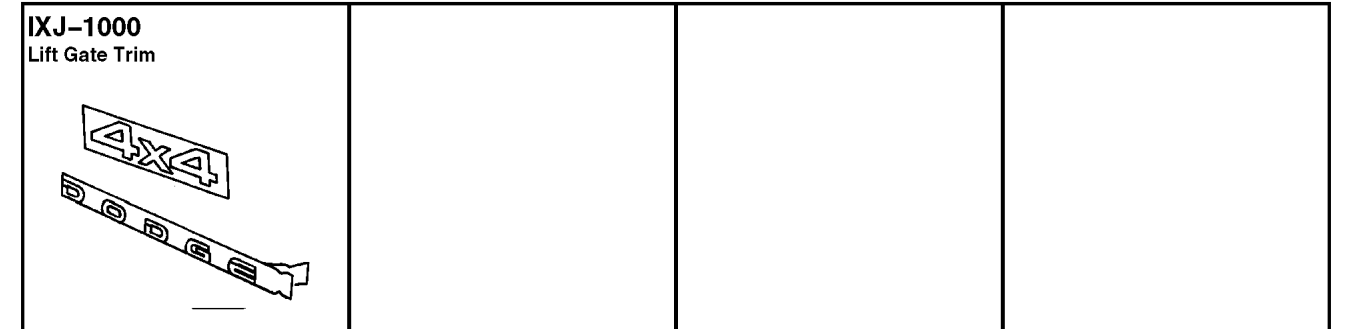
# Group – IXJ

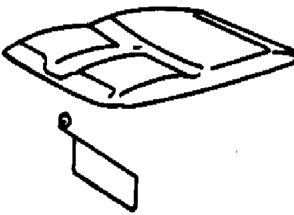
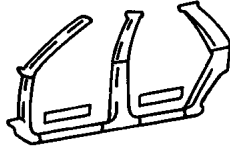
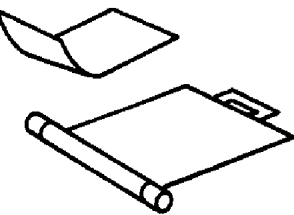
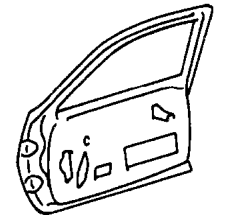
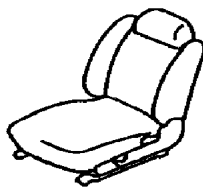
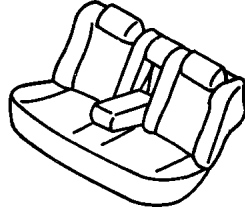
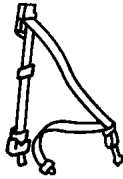
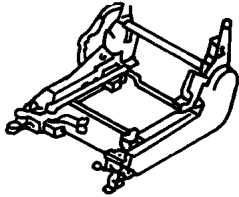
## Interior Trim



# Group – IXJ

## Interior Trim



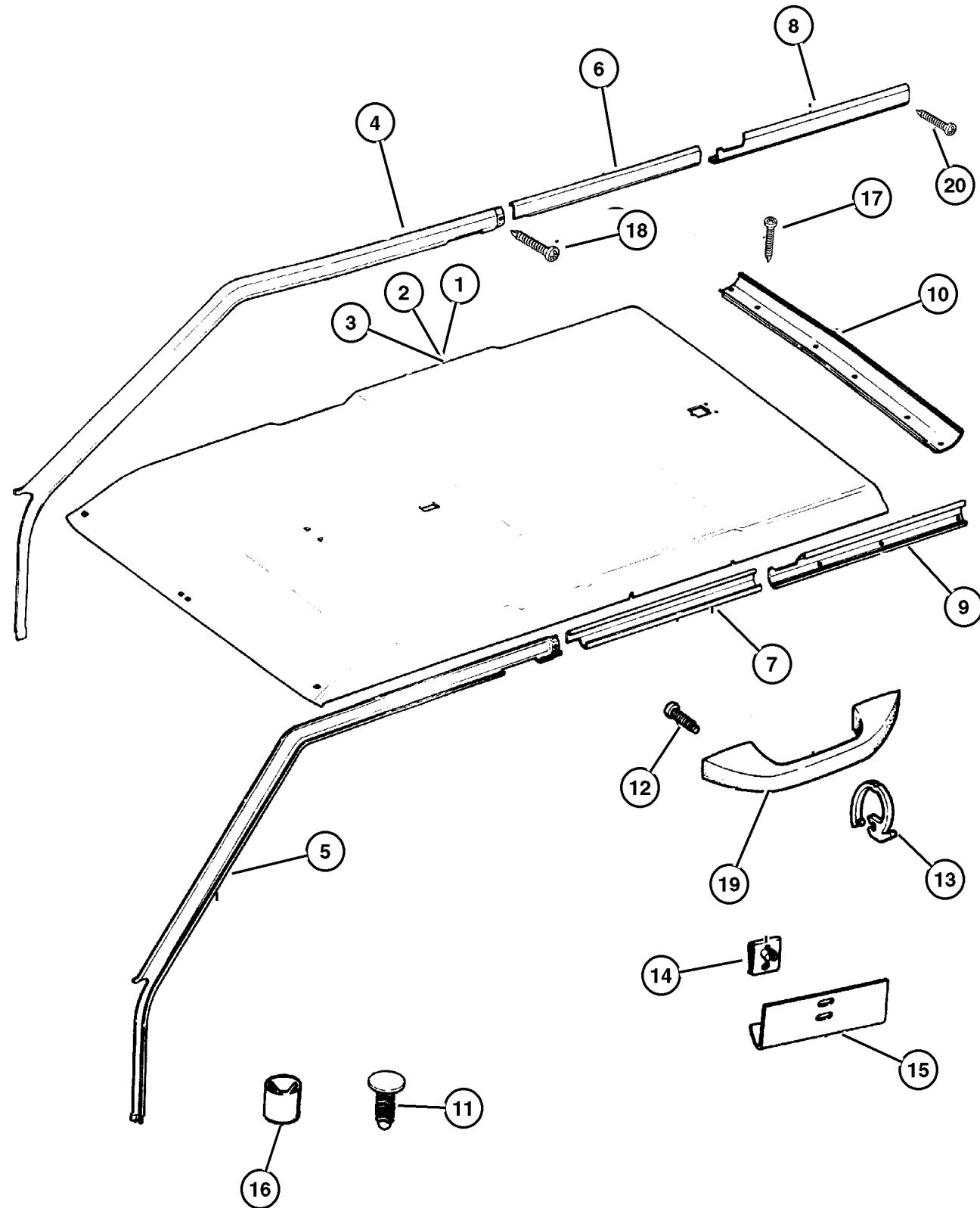
<p><b>IXJ-100</b> Headliner and Visor</p> 	<p><b>IXJ-200</b> Moldings, Scuff Plates</p> 	<p><b>IXJ-300</b> Carpet and Tonneau Cover</p> 	<p><b>IXJ-400</b> Door Trim Panels—Front and Sliding</p> 
<p><b>IXJ-500</b> Front Seats and Attaching Parts</p> 	<p><b>IXJ-600</b> Rear Seats and Attaching Parts</p> 	<p><b>IXJ-700</b> Seat Belts—Front and Rear</p> 	<p><b>IXJ-800</b> Adjusters, Covers, Shields, and Risers</p> 

---

## GROUP IXJ - Interior Trim

Illustration Title	Group-Fig. No.
<b>Headliner and Visor</b>	
Headliner and Upper Trim Moldings .....	Fig. IXJ-110
Visors and Vanity Mirrors .....	Fig. IXJ-120
<b>Moldings, Scuff Plates</b>	
Panels, Interior Trim, Front, 2 Door 2 Door .....	Fig. IXJ-210
Panels, Interior Trim, Rear, 2 Door 2 Door .....	Fig. IXJ-215
Panels, Interior Trim, Front, 4 Door 4 Door .....	Fig. IXJ-220
Panels, Interior Trim, Rear, 4 Door 4 Door .....	Fig. IXJ-225
<b>Carpet and Tonneau Cover</b>	
Carpets and Mats .....	Fig. IXJ-310
Insulation .....	Fig. IXJ-320
Cover, Cargo .....	Fig. IXJ-330
<b>Door Trim Panels-Front and Sliding</b>	
Interior Trim Parts, 2 Door 2 Door .....	Fig. IXJ-410
Interior Trim Parts, 4 Door 4 Door .....	Fig. IXJ-420
<b>Front Seats and Attaching Parts</b>	
Seat Covers and Seat Assemblies .....	Fig. IXJ-510
<b>Rear Seats and Attaching Parts</b>	
Frame and Pad Rear Seat .....	Fig. IXJ-610
Covers, Seat Upholstery Rear Seat .....	Fig. IXJ-620
<b>Seat Belts-Front and Rear</b>	
Seat Belts, Front Seat 2 Door 2 Door .....	Fig. IXJ-710
Seat Belts, Front Seat 4 Door 4 Door .....	Fig. IXJ-720
Seat Belts, Rear Seats .....	Fig. IXJ-730
<b>Adjusters, Covers, Shields, and Risers</b>	
Recliner and Adjuster .....	Fig. IXJ-810
<b>Lift Gate Trim</b>	
Liftgate Trim Panel .....	Fig. IXJ-1010

## Headliner and Upper Trim Moldings Figure IXJ-110



ITEM	PART NUMBER	QTY	LINE	SERIES	BODY	TRIM	DESCRIPTION
Note: [P.A.R.] = Paint As Required. nsmission Sales Codes: nsmission [CF7] = Tether Ready nsmission [CUN] = Console Overhead nsmission [LCD] = Lamps Map/Dome Reading nsmission [LCK] = Lamp Front Dome nsmission [RCG] = 4 Spraeakers nsmission [RCR] = 6 Speakers, Premium Infinity nsmission							
1							HEADLINER, With Lamps Map/Dome Reading, [LCD]
	SX84 HW8AA	1					[AZ], With, 6 Speakers Infinity [RCG], 4 Speakers [RCR] With Child Tether Access Hole of 18mm
	SX84 RK5AA	1					[K5], 6 Speakers Infinity [RCG], 4 Speakers [RCR], With Child Tether Access Hole of 18mm
	#UA73 HW8AA	1					[AZ], [LCD], 6 Speakers Infinity [RCG], 4 Speakers [RCR], With Child Tether Access Hole of 10mm
	#UA73 RK5AA	1					[K5], [LCD], 6 Speakers Infinity [RCG], 4 Speakers [RCR], With Child Tether Access Hole of 10mm
	#5GG42 HW8AF	1					[AZ], Tether Ready [CF7], Without 6 Speakers Infinity [RCG], Without 4 Speakers [RCR]
	5GG42 HW8AH	1					[AZ], Without Tether Ready [CF7], Without 6 Speakers Infinity [RCG], Without 4 Speakers [RCR]
	#5GG42 RK5AF	1					[K5], Tether Ready [CF7], Without 6 Speakers Infinity [RCG], Without 4 Speakers [RCR]
	5GG42 RK5AH	1					[K5], Without Tether Ready [CF7], Without 6 Speakers Infinity [RCG], Without 4 Speakers [RCR]
2							HEADLINER, With Overhead Console, [CUN]
	SX86 HW8AA	1					[AZ], With Child Tether Access Hole of 18mm, [CF7]
	SX86 RK5AA	1					[K5], With Child Tether Access Hole of 18mm, [CF7]
	#UA74 HW8AA	1					[AZ], With Child Tether Access Hole of 10mm, [CF7]
	#UA74 RK5AA	1					[K5], With Child Tether Access Hole of 10mm, [CF7]
3							HEADLINER, With Lamp Front Dome, [LCK]
	SF83 HW8AA	1					[AZ], With 6 Speakers Infinity [RCG], 4 Speakers [RCR], With Child Tether Access Hole of 18mm, [CF7]

JEEP CHEROKEE (XJ)				
SERIES	LINE	BODY	ENGINE	TRANSMISSION
P=Classic	J=LHD (4WD)	74=4 Dr.(101.4WB)	ENC,EN0=2.5L 4 cyl. Turbo Die	DDD, DDQ=5 spd. Man.
S=Limited	U=RHD (4WD)	72=2 Dr.(101.4WB)	ERH,ER0=4.0L Power Tech I-6	DGS=4 spd. Auto. AISIN
H=Sport	T=LHD (2WD)		EPE,EP0=Magnum 2.5L SMPI	DG0=All Auto/Trans.
L=SE	B=RHD (2WD)			DBB=All Manual Trans.

AR = Use as required - = Non illustrated part # = New this model year

April 5, 2002

## Headliner and Upper Trim Moldings Figure IXJ-110

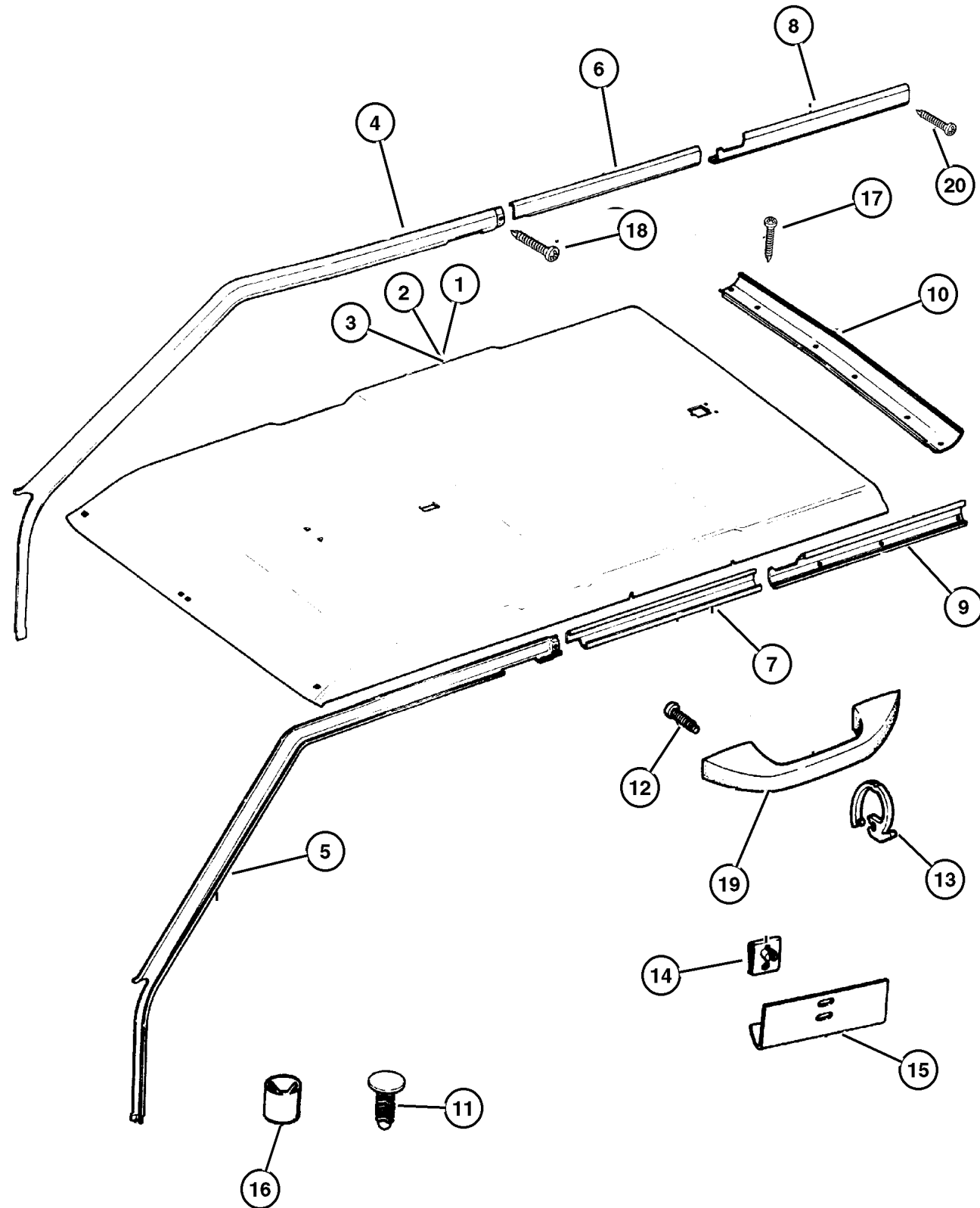
ITEM	PART NUMBER	QTY	LINE	SERIES	BODY	TRIM	DESCRIPTION
	SF83 RK5AA	1					[K5], With 6 Speakers Infinity [RCG], 4 Speakers [RCR], With Child Tether Access Hole of 18mm, [CF7]
	#UA72 HW8AA	1					[AZ], With 6 Speakers Infinity [RCG], 4 Speakers [RCR], With Child Tether Access Hole of 10mm, [CF7]
	#UA72 RK5AA	1					[K5], With 6 Speakers Infinity [RCG], 4 Speakers [RCR], With Child Tether Access Hole of 10mm, [CF7]
	#5FM41 HW8AE	1					[AZ], Without 6 Speakers Infinity [RCG], 4 Speakers [RCR], With Child Tether Access Hole, [CF7]
	#5FM41 RK5AE	1					[K5], Without 6 Speakers Infinity [RCG], 4 Speakers [RCR], With Child Tether Access Hole, [CF7]
4	5GG38 LAZAE	1			74		MOLDING, Windshield Garnish [AZ], Right
	5GG38 RK5AE	1			74		[K5], Right
	5GG48 LAZAE	1	J, T, U		72		[AZ], Right
	5GG48 RK5AE	1	J, T, U		72		[K5], Right
5	5GG49 LAZAD	1	J, T		72		MOLDING, Windshield Garnish [AZ], Without Holes, After 9-18-98, Left
	5GG49 RK5AD	1	J, T		72		[K5], Without Holes, After 9-18-98, Left
	5GG43 LAZAE	1	J, T		74		[AZ], Left
		1	B, U		74		[AZ], Left
	5GG43 RK5AE	1	B, U		74		[K5], Left
		1	J, T		74		[K5], Left
	5GG49 LAZAE	1	J, T		72		[AZ], Left
	5GG49 RK5AE	1	J, T		72		[K5], Left
6	5AC6 2LAZ	1			74		MOLDING, Headliner, [P.A.R.], Right
7	5AC6 3LAZ	1			74		MOLDING, Headliner, [P.A.R.], Left
8	5AC2 6LAZ	1			74		MOLDING, Headliner [P.A.R.], Right
	5AD7 4LAZ	1	J, T, U		72		[P.A.R.], Right
9	5AC2 7LAZ	1			74		MOLDING, Headliner [P.A.R.], Left
	5AD7 5LAZ	1	J, T, U		72		[P.A.R.], Left
10	5ER43 LAZAD	1					MOLDING, Liftgate Upper [AZ]
	5ER43 RK5AD	1					[K5]
11	6504 995AA	4	J, T, U		72		PIN, Push, M6.3x19.84

### JEEP CHEROKEE (XJ)

SERIES	LINE	BODY	ENGINE	TRANSMISSION
P=Classic	J=LHD (4WD)	74=4 Dr.(101.4WB)	ENC,EN0=2.5L 4 cyl. Turbo Die	DDD, DDQ=5 spd. Man.
S=Limited	U=RHD (4WD)	72=2 Dr.(101.4WB)	ERH,ER0=4.0L Power Tech I-6	DGS=4 spd. Auto. AISIN
H=Sport	T=LHD (2WD)		EPE,EP0=Magnum 2.5L SMPI	DG0=All Auto/Trans.
L=SE	B=RHD (2WD)			DBB=All Manual Trans.

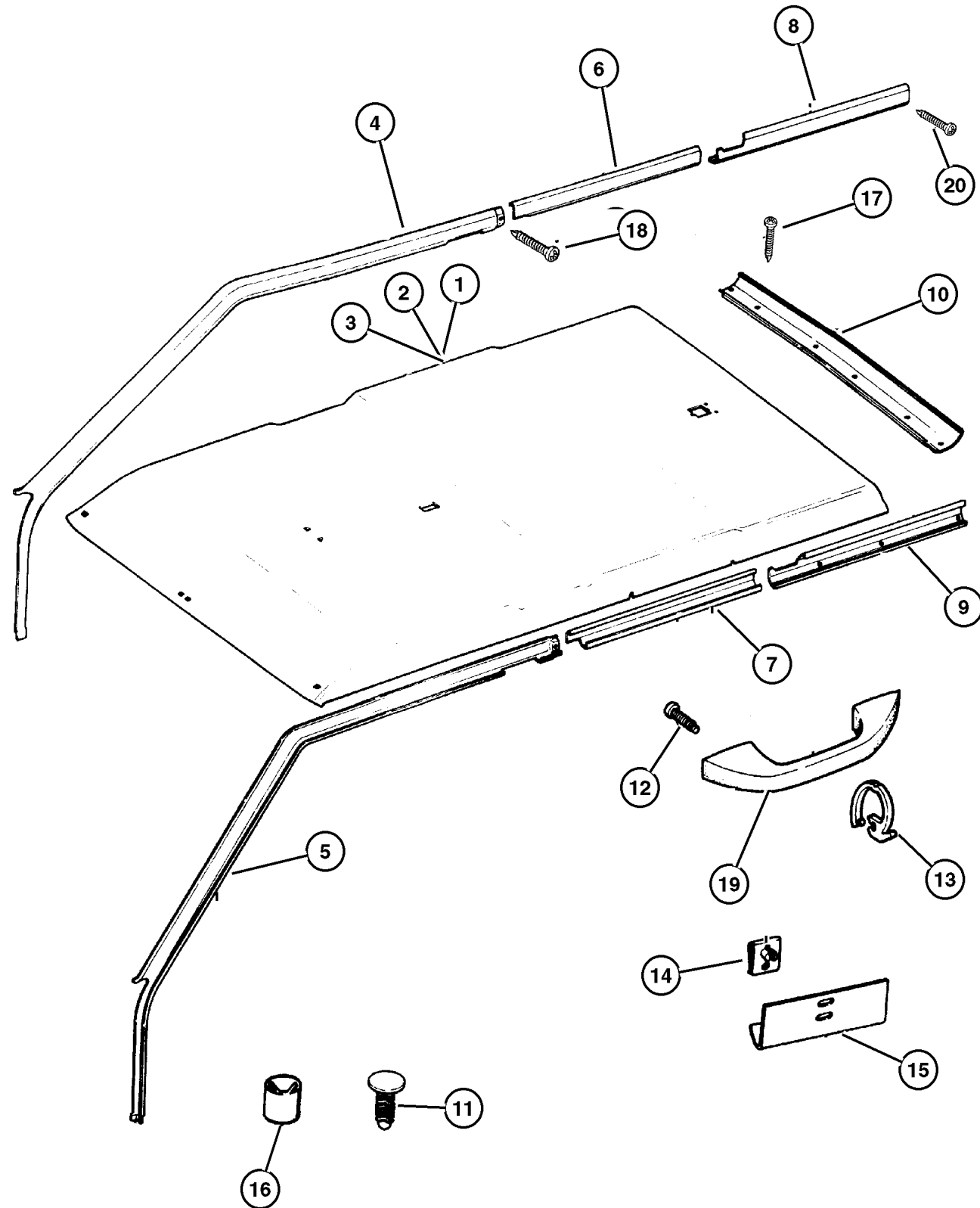
AR = Use as required - = Non illustrated part # = New this model year

April 5, 2002



### Headliner and Upper Trim Moldings Figure IXJ-110

ITEM	PART NUMBER	QTY	LINE	SERIES	BODY	TRIM	DESCRIPTION
		4			74		
12	3420 2189	6	J, T				SCREW, Pan Head Torx, M5x0.8x30.00
		8	B, U				
13	5AD9 1LAZ	2					HOOK, Coat, [P.A.R.]
14	J400 0322	2					CLIP, U Type, .625x.719x.020
15	J368 1225	1					CLIP, Headliner Mounting
16	5500 2520	2	J, T, U		72		SPACER, Headliner Molding Rear
17							SCREW, .164-18x.75, (NOT SERVICED)
18							SCREW, Pan Head, .164-18x.75, (NOT SERVICED)
19	5CX1 0LAZ	3	J, T				HANDLE, Roof Grab
		4	B, U				[AZ]
	5CX1 0RK5	3	J, T				[K5]
		4	B, U				[K5]
20	1150 1614	4			74		SCREW DRILL, Oval Truss Head, .164x18x1.378



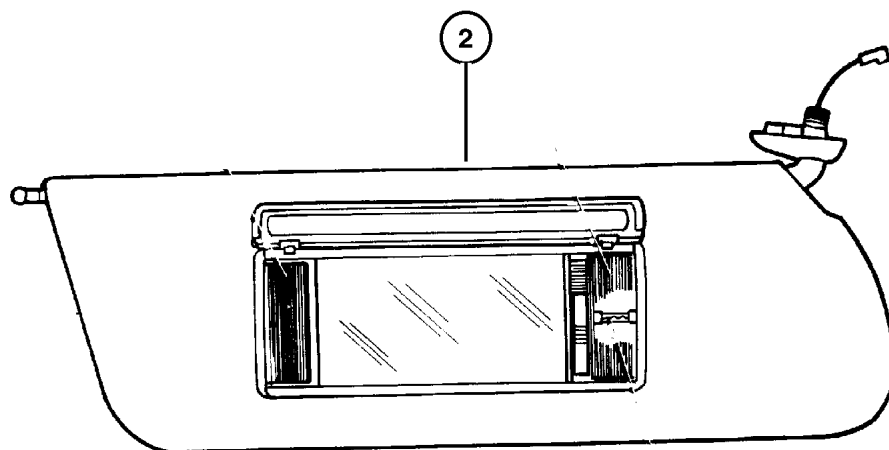
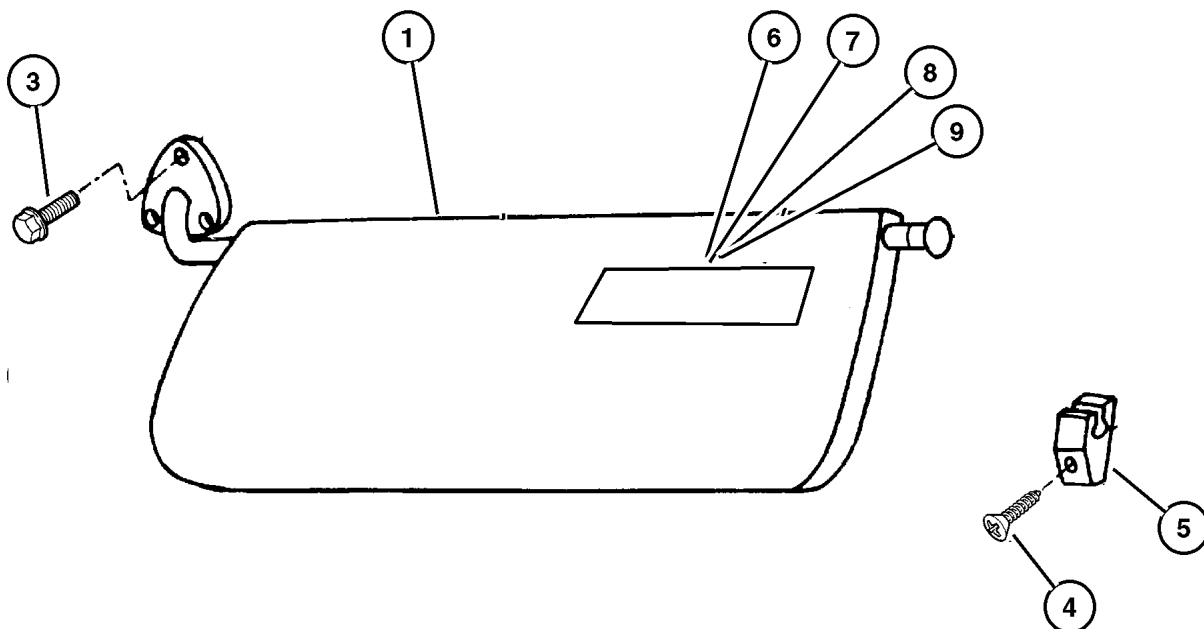
JEEP CHEROKEE (XJ)				
SERIES	LINE	BODY	ENGINE	TRANSMISSION
P=Classic	J=LHD (4WD)	74=4 Dr.(101.4WB)	ENC,EN0=2.5L 4 cyl. Turbo Die	DDD, DDQ=5 spd. Man.
S=Limited	U=RHD (4WD)	72=2 Dr.(101.4WB)	ERH,ER0=4.0L Power Tech I-6	DGS=4 spd. Auto. AISIN
H=Sport	T=LHD (2WD)		EPE,EP0=Magnum 2.5L SMPI	DG0=All Auto/Trans.
L=SE	B=RHD (2WD)			DBB=All Manual Trans.

AR = Use as required - = Non illustrated part # = New this model year

April 5, 2002

Visors and Vanity Mirrors  
Figure IXJ-120

ITEM	PART NUMBER	QTY	LINE	SERIES	BODY	TRIM	DESCRIPTION
1							VISOR
	#5FX36 1K5AC	1					[K5], Right
	#5FX36 1W8AC	1					[AZ], Right
	#5FX37 1K5AC	1					[K5], Left
	#5FX37 1W8AC	1					[AZ], Left
2							VISOR, Illuminated
	#5FX34 1K5AC	1					[K5], Right
	#5FX34 1W8AC	1					[AZ], Right
	#5FX35 1K5AC	1					[K5], Left
	#5FX35 1W8AC	1					[AZ], Left
3	6036 201AA	6					SCREW, Oval Head Tapping, .164x18x.984
4	3420 1398	2					SCREW AND WASHER, Oval Truss Head, .164-18x.984
5							CLIP, Visor
	DF49 HW8AB	2					[AZ]
	DF49 RK5AB	2					[K5]
6							LABEL, Transfer Case Shift
	5300 9357	1	J, U				English, With 242
	5300 9358	1	J, U				Bilingual, With 242
7	52006 337AB	1					LABEL, Diesel Starting
8	4787 437AA	2	J, T				LABEL, Air Bag Warning, English and French, 5 Points
9							LABEL, Airbag
	4897 875AA	1					
	55196 783AA	2	J, T				CANADA



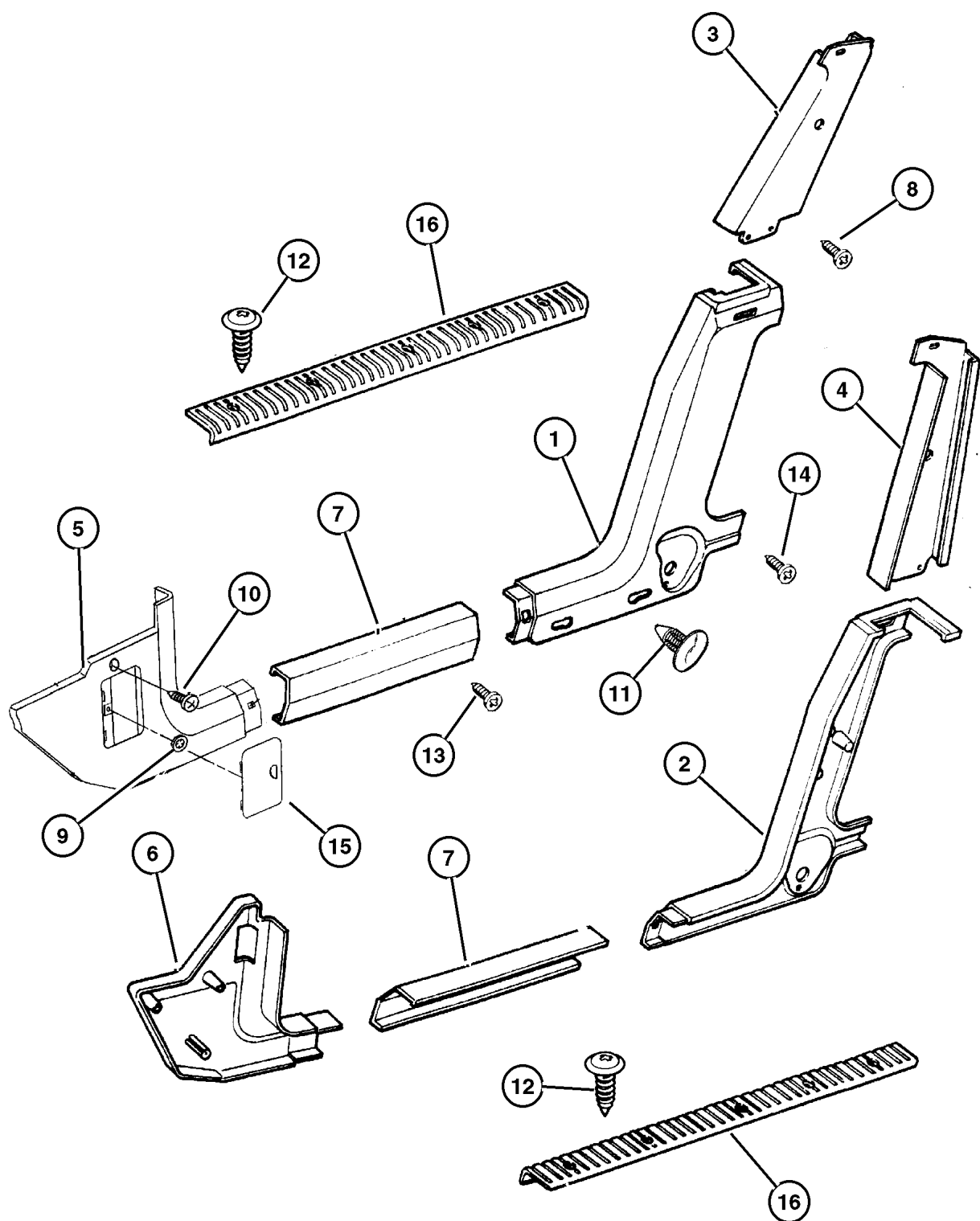
JEEP CHEROKEE (XJ)

SERIES	LINE	BODY	ENGINE	TRANSMISSION
P=Classic	J=LHD (4WD)	74=4 Dr.(101.4WB)	ENC,EN0=2.5L 4 cyl. Turbo Die	DDD, DDQ=5 spd. Man.
S=Limited	U=RHD (4WD)	72=2 Dr.(101.4WB)	ERH,ER0=4.0L Power Tech I-6	DGS=4 spd. Auto. AISIN
H=Sport	T=LHD (2WD)		EPE,EP0=Magnum 2.5L SMPI	DG0=All Auto/Trans.
L=SE	B=RHD (2WD)			DBB=All Manual Trans.

AR = Use as required - = Non illustrated part # = New this model year

April 5, 2002

**Panels, Interior Trim, Front, 2 Door 2 Door  
Figure IXJ-210**



ITEM	PART NUMBER	QTY	LINE	SERIES	BODY	TRIM	DESCRIPTION
[P.A.R.] = Paint As Required nsmission							
1	5EW90 LAZAD	1	J, T, U		72		EXTENSION, B Pillar, [P.A.R.], Right
2	5EW91 LAZAD	1	J, T, U		72		EXTENSION, B Pillar, [P.A.R.], Left
3	5ER16 LAZAF	1	J, T, U		72		COVER, Lock Pillar [AZ], Right
	5ER16 RK5AF	1	J, T, U		72		[K5], Right
4	5ER17 LAZAF	1	J, T, U		72		COVER, Lock Pillar [AZ], Left
	5ER17 RK5AF	1	J, T, U		72		[K5], Left
5	5EG14 LAZAE	1					PANEL, Cowl Side Trim [AZ], Right
	5EG14 RK5AE	1					[K5], Right
6	5EG17 LAZAD	1	J, T				PANEL, Cowl Side Trim [AZ], Left
	5EG17 RK5AD	1	J, T				[K5], Left
	5ES93 LAZAD	1	B, U				[AZ], Left
	5ES93 RK5AD	1	B, U				[K5], Left
7	5EW7 8LAZ	1	J, T, U		72		PLATE, Scuff [AZ], Right
	5EW7 8RK5	1	J, T, U		72		[K5], Right
	5EW7 9LAZ	1	J, T, U		72		[AZ], Left
	5EW7 9RK5	1	J, T, U		72		[K5], Left
8	3420 1314	4	J, T, U		72		SCREW, Tapping Round Head, .164x18x1.232
9	6033 560	1					NUT AND WASHER, Hex Nut-Coned Washer, .25-20
10							SCREW AND WASHER, Pan Head, .19-16x1, (NOT SERVICED)
11	6504 995AA	4	J, T, U		72		PIN, Push, M6.3x19.84
12							SCREW, .164-18x.500, (NOT SERVICED)
13	6034 863	8	J, T, U		72		SCREW, Pan Head, .164-18x1.25
14	3420 1400	2	J, T, U		72		SCREW AND FINISH WASHER, Oval Head TR, 40mm Long
15	5FU34 LAZAB	1					DOOR, Fuse Access [AZ]
	5FU34 RK5AB	1					[K5]
16	5500 3374	2	J, T, U		72		PLATE, Scuff

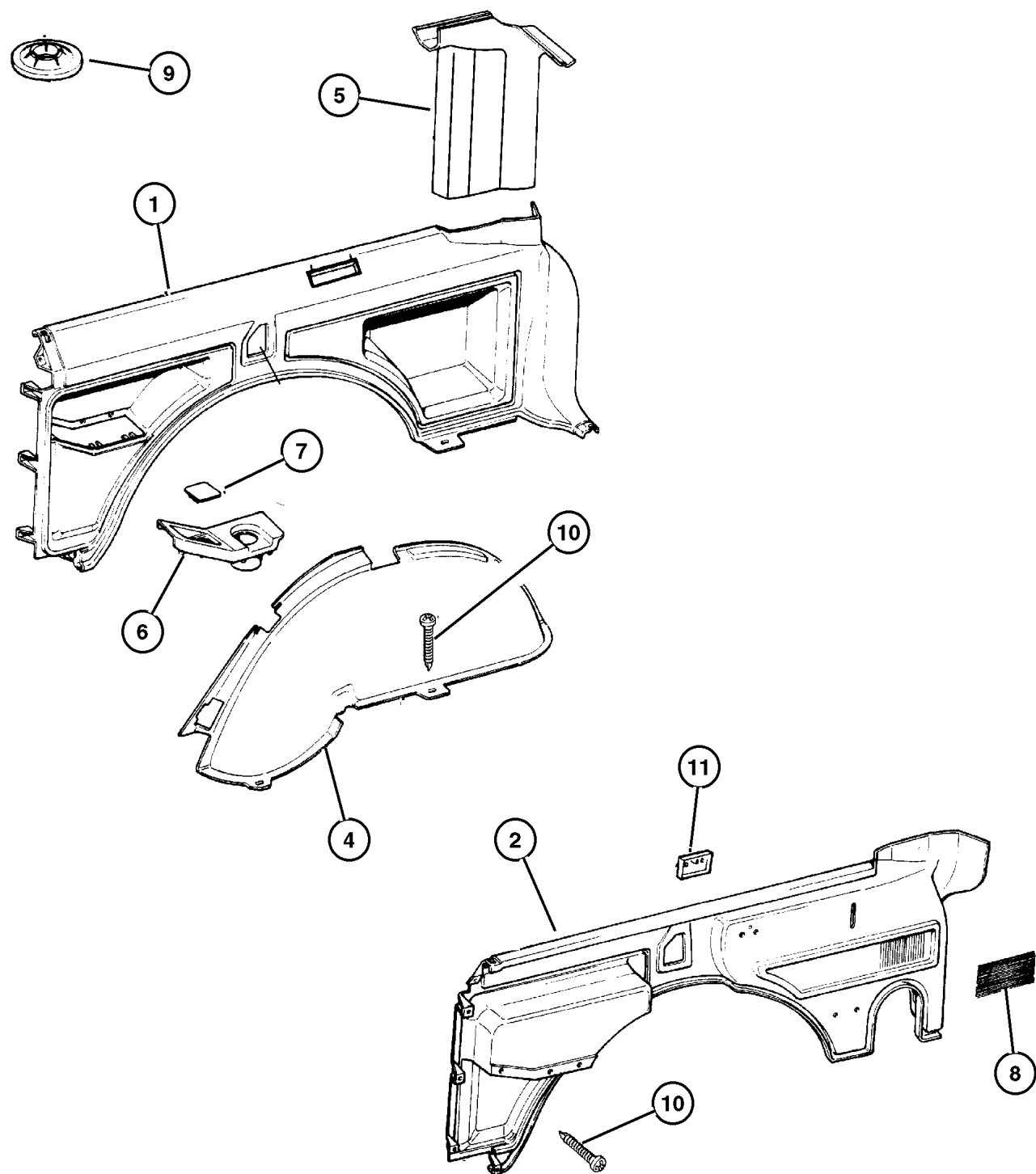
JEEP CHEROKEE (XJ)				
SERIES	LINE	BODY	ENGINE	TRANSMISSION
P=Classic	J=LHD (4WD)	74=4 Dr.(101.4WB)	ENC,EN0=2.5L 4 cyl. Turbo Die	DDD, DDQ=5 spd. Man.
S=Limited	U=RHD (4WD)	72=2 Dr.(101.4WB)	ERH,ER0=4.0L Power Tech I-6	DGS=4 spd. Auto. AISIN
H=Sport	T=LHD (2WD)		EPE,EP0=Magnum 2.5L SMPI	DG0=All Auto/Trans.
L=SE	B=RHD (2WD)			DBB=All Manual Trans.

AR = Use as required - = Non illustrated part # = New this model year

April 5, 2002



**Panels, Interior Trim, Rear, 2 Door 2 Door**  
**Figure IXJ-215**



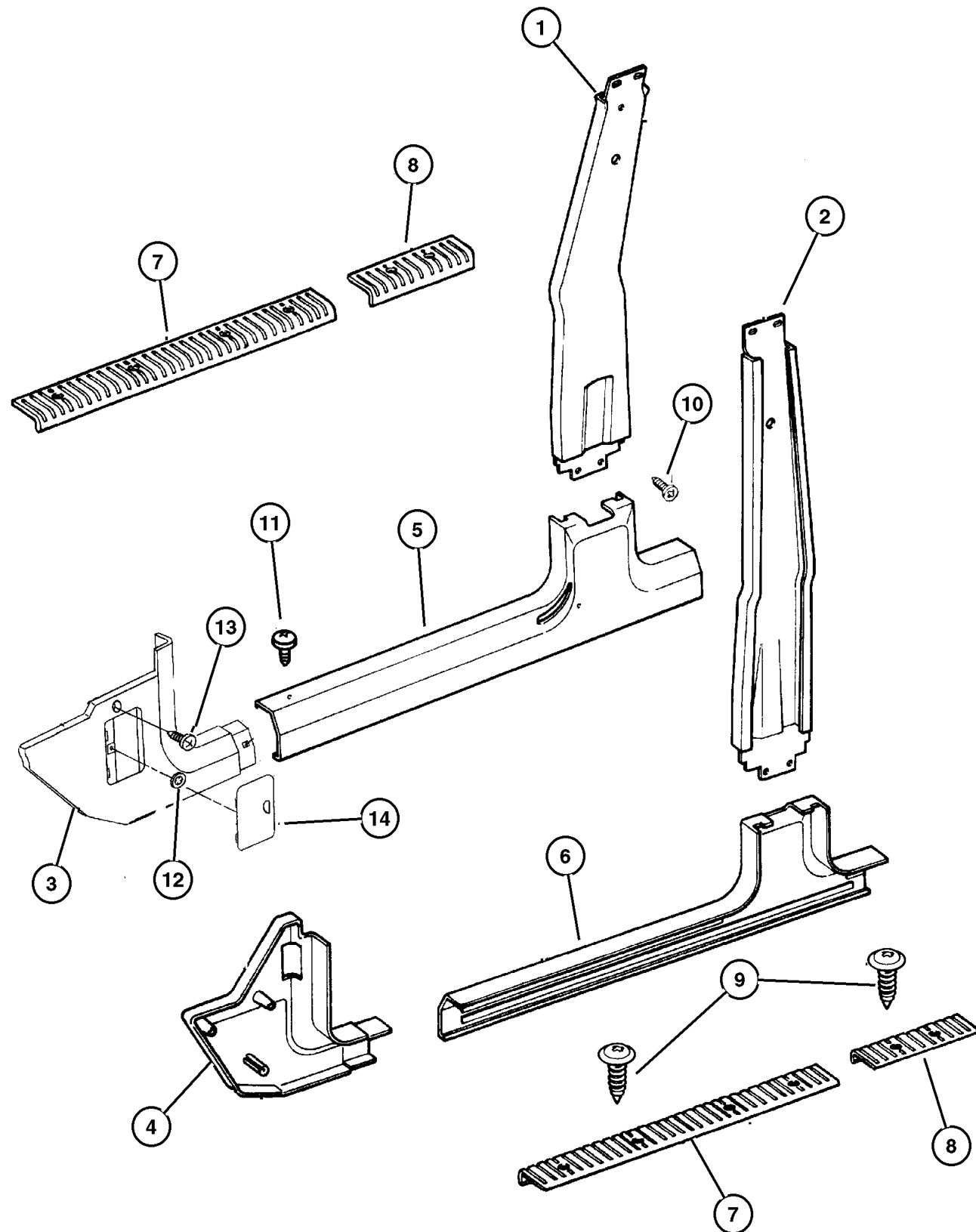
ITEM	PART NUMBER	QTY	LINE	SERIES	BODY	TRIM	DESCRIPTION
1							PANEL, Quarter Trim
	5EG04 LAZAE	1	J, T, U		72		[AZ], Right
	5EG04 RK5AE	1	J, T, U		72		[K5], Right
2							PANEL, Quarter Trim
	5EG05 LAZAF	1	J, T, U		72		[AZ], Left
	5EG05 RK5AF	1	J, T, U		72		[K5], Left
-3							PIN, Push .281, (NOT REQUIRED)
4							PANEL, Wheelhouse
	5AC58 LAZAB	1					[AZ], Right
	5AC58 RK5AB	1					[K5], Right
	5AC59 LAZAB	1					[AZ], Left
	5AC59 RK5AB	1					[K5], Left
5							COVER, Liftgate Pillar
	5ER40 LAZAD	1	J, T, U		72		[AZ], Right
	5ER40 RK5AD	1	J, T, U		72		[K5], Right
	5ER41 LAZAD	1	J, T, U		72		[AZ], Left
	5ER41 RK5AD	1	J, T, U		72		[K5], Left
6							COVER, Armrest, Serviced in Quarter Trim Panel, (NOT SERVICED)
7							COVER, Ash Receiver Opening
	5AC6 4LAZ	2	J, T, U		72		[AZ]
	5AC6 4RK5	2	J, T, U		72		[K5]
8	5500 4406	1	J, T, U		72		SCREEN, Louvre
9	3420 1481	6	J, T, U		72		NUT, Push On
10	3420 1468	4					SCREW, Round Washer Head, M4.2x1.41x25.00
11							REST, Spare Tire, (NOT SERVICED)

JEEP CHEROKEE (XJ)				
SERIES	LINE	BODY	ENGINE	TRANSMISSION
P=Classic	J=LHD (4WD)	74=4 Dr.(101.4WB)	ENC,EN0=2.5L 4 cyl. Turbo Die	DDD, DDQ=5 spd. Man.
S=Limited	U=RHD (4WD)	72=2 Dr.(101.4WB)	ERH,ER0=4.0L Power Tech I-6	DGS=4 spd. Auto. AISIN
H=Sport	T=LHD (2WD)		EPE,EP0=Magnum 2.5L SMPI	DG0=All Auto/Trans.
L=SE	B=RHD (2WD)			DBB=All Manual Trans.

AR = Use as required - = Non illustrated part # = New this model year

April 5, 2002

**Panels, Interior Trim, Front, 4 Door 4 Door**  
**Figure IXJ-220**



ITEM	PART NUMBER	QTY	LINE	SERIES	BODY	TRIM	DESCRIPTION
[P.A.R.] = Paint As Required nsmission							
1	5ER20 RK5AE	1			74		COVER, B Pillar Trim Panel, [P.A.R.], Right
2	5ER21 RK5AE	1			74		COVER, B Pillar Trim Panel, [P.A.R.], Left
3	5EG14 LAZAE	1					PANEL, Cowl Side Trim [AZ], Right
	5EG14 RK5AE	1					[K5], Right
4	5EG17 LAZAD	1	J, T				PANEL, Cowl Side Trim [AZ], Left
	5EG17 RK5AD	1	J, T				[K5], Left
	5ES93 LAZAD	1	B, U				[AZ], Left
	5ES93 RK5AD	1	B, U				[K5], Left
5	5EW80 LAZAE	1			74		COVER, B Pillar Trim Panel [AZ], Right
	5EW80 RK5AE	1			74		[K5], Right
6	5EW81 LAZAE	1			74		COVER, B Pillar Trim Panel [AZ], Left
	5EW81 RK5AE	1			74		[K5], Left
7	5500 3370	2			74		PLATE, Scuff, Front
8	5500 3372	2			74		PLATE, Scuff, Rear
9							SCREW, .164-18x.500, (NOT SERVICED)
10	6504 995AA	2			74		PIN, Push, M6.3x19.84
11	3420 1400	10			74		SCREW AND FINISH WASHER, Oval Head TR, 40mm Long
12	6033 560	1					NUT AND WASHER, Hex Nut-Coned Washer, .25-20
13	3420 1468	2					SCREW, Round Washer Head, M4.2x1.41x25.00
14	5FU34 LAZAB	1					DOOR, Fuse Access [AZ]
	5FU34 RK5AB	1					[K5]

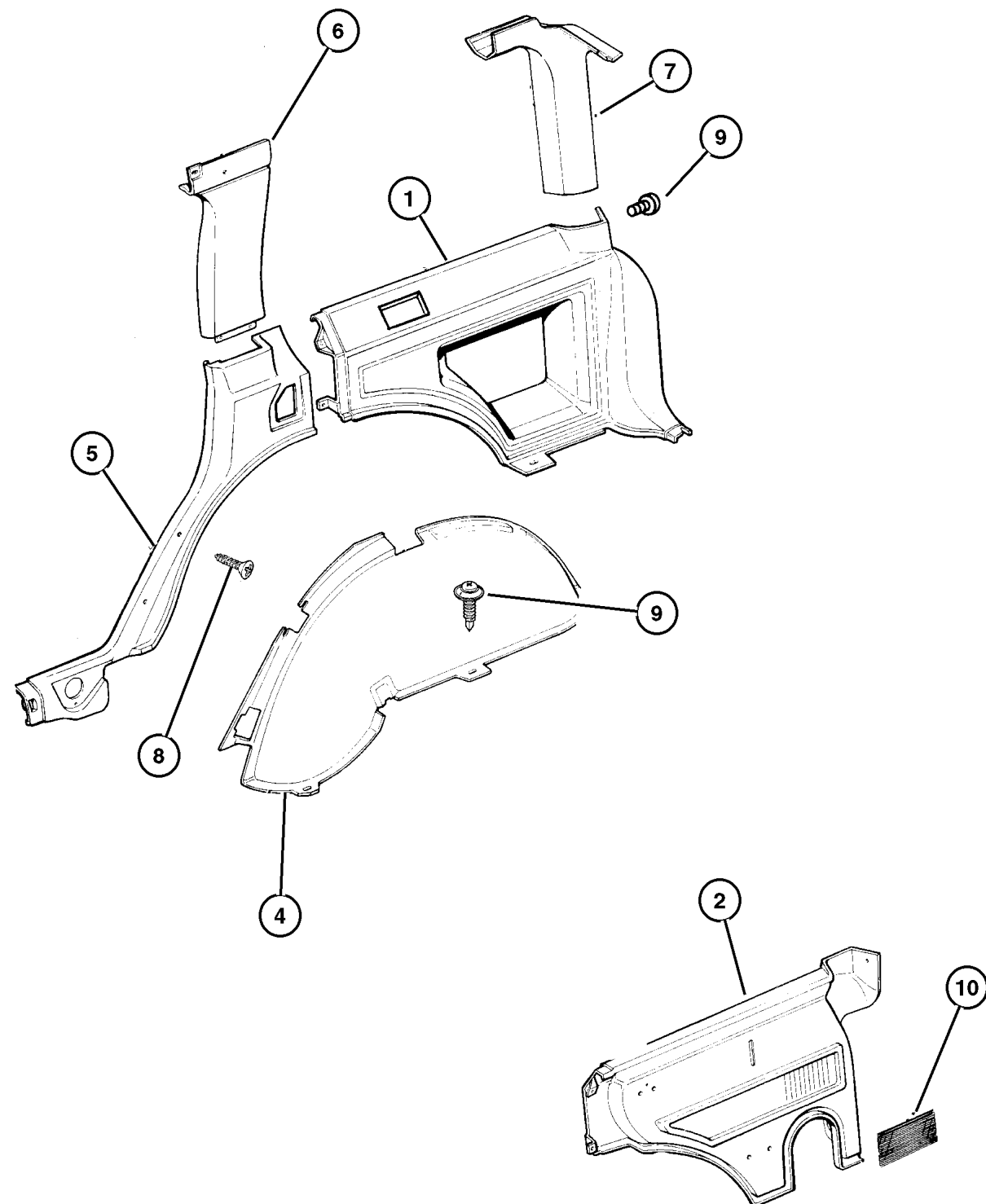
**JEEP CHEROKEE (XJ)**

SERIES	LINE	BODY	ENGINE	TRANSMISSION
P=Classic	J=LHD (4WD)	74=4 Dr.(101.4WB)	ENC,EN0=2.5L 4 cyl. Turbo Die	DDD, DDQ=5 spd. Man.
S=Limited	U=RHD (4WD)	72=2 Dr.(101.4WB)	ERH,ER0=4.0L Power Tech I-6	DGS=4 spd. Auto. AISIN
H=Sport	T=LHD (2WD)		EPE,EP0=Magnum 2.5L SMPI	DG0=All Auto/Trans.
L=SE	B=RHD (2WD)			DBB=All Manual Trans.

AR = Use as required - = Non illustrated part # = New this model year

April 5, 2002

**Panels, Interior Trim, Rear, 4 Door 4 Door**  
**Figure IXJ-225**



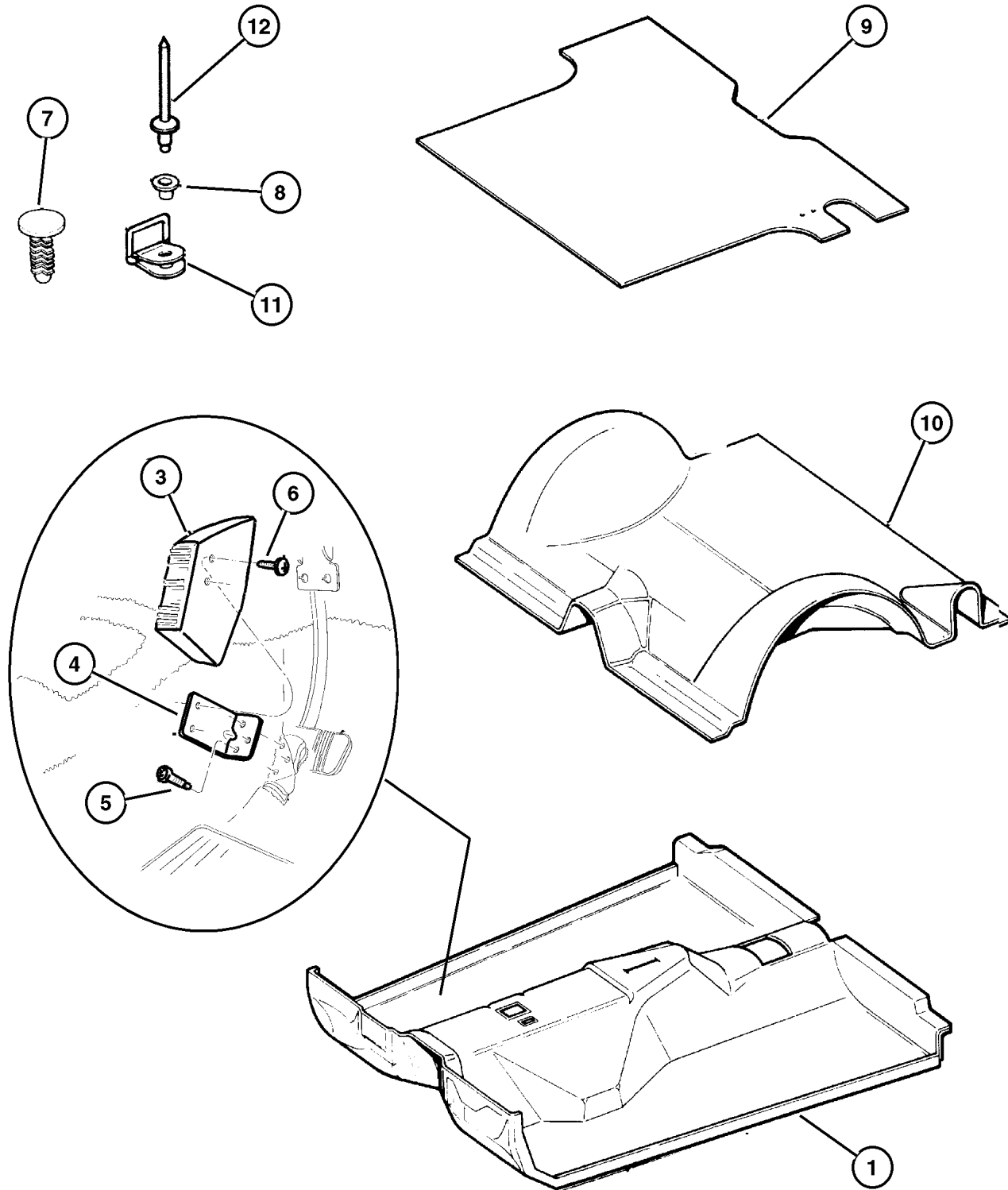
ITEM	PART NUMBER	QTY	LINE	SERIES	BODY	TRIM	DESCRIPTION
[P.A.R.] = Paint As Required nsmission							
1	5EG02 LAZAE	1			74		PANEL, Quarter Trim [AZ], Right
	5EG02 RK5AE	1			74		[K5], Right
2	5EG03 LAZAG	1			74		PANEL, Quarter Trim [AZ], Left
	5EG03 RK5AG	1			74		[K5], Left
-3							PIN, Push .281, (NOT REQUIRED)
4							PANEL, Wheelhouse
	5AC58 LAZAB	1					[AZ], Right
	5AC58 RK5AB	1					[K5], Right
	5AC59 LAZAB	1					[AZ], Left
	5AC59 RK5AB	1					[K5], Left
5	5GM58 LAZAC	1			74		EXTENSION, C Pillar [AZ], Right
	5GM58 RK5AC	1			74		[K5], Right
	5GM59 LAZAC	1			74		[AZ], Left
	5GM59 RK5AC	1			74		[K5], Left
6	5EW86 LAZAC	1			74		COVER, C Pillar [P.A.R.], Right
	5EW87 LAZAC	1			74		[P.A.R.], Left
7	5FX18 LAZAC	1			74		COVER, Liftgate [AZ], Right
	5FX18 RK5AC	1			74		[K5], Right
	5FX19 LAZAD	1			74		[AZ], Left
	5FX19 RK5AD	1			74		[K5], Left
8	6504 995AA	4			74		PIN, Push, M6.3x19.84
9	3420 1468	4					SCREW, Round Washer Head, M4.2x1.41x25.00
10	5500 4406	1			74		SCREEN, Louvre

JEEP CHEROKEE (XJ)				
SERIES	LINE	BODY	ENGINE	TRANSMISSION
P=Classic	J=LHD (4WD)	74=4 Dr.(101.4WB)	ENC,EN0=2.5L 4 cyl. Turbo Die	DDD, DDQ=5 spd. Man.
S=Limited	U=RHD (4WD)	72=2 Dr.(101.4WB)	ERH,ER0=4.0L Power Tech I-6	DGS=4 spd. Auto. AISIN
H=Sport	T=LHD (2WD)		EPE,EP0=Magnum 2.5L SMPI	DG0=All Auto/Trans.
L=SE	B=RHD (2WD)			DBB=All Manual Trans.

AR = Use as required - = Non illustrated part # = New this model year

April 5, 2002

**Carpets and Mats**  
**Figure IXJ-310**



ITEM	PART NUMBER	QTY	LINE	SERIES	BODY	TRIM	DESCRIPTION
1							CARPET, Floor
	5EY16 LAZAR	1	J, T				[AZ], Gas Only
	5EY16 VK9AR	1	J, T				[K5], Gas Only
	5FM05 LAZAO	1	B, U				[AZ]
	5FM05 VK9AO	1	B, U				[K5]
	5FY03 LAZAQ	1	J, T				[AZ], Diesel
	5FY03 VK9AQ	1	J, T				[K5], Diesel
-2							MAT, Full Floor, Rubber
	5FM11 DX9AJ	1	B, U				
	5FN10 DX9AM	1	J, T				
3	5511 5066	1	B, U				PAD, Foot Rest
4	5511 5067	1	B, U				BRACKET, Foot Rest
5							SCREW, [.190-16x.625], (NOT SERVICED)
6							SCREW, [.190-16x1.00], (NOT SERVICED)
7							PIN, Push .281, (NOT REQUIRED)
8	3420 2365	4					WASHER
9	5500 8727	1					MAT, Floor
10							CARPET, Cargo Floor
	5FX14 LAZAH	1					[AZ]
	5FX14 VK9AH	1					[K5]
11	#55215 609AB	4					LOOP, Cargo Tie Down
12	6035 122	4					RIVET, .187x.70 Black
-13	3420 2672	2					RIVET, .197 Grip-.187-.375, Carpet Attach
-14							MAT KIT, Floor
	5FJ35 LAZAB	1	B, U				[AZ]
	5FJ35 VK9AB	1	B, U				[K5]
-15							CLIP, Carpet
	55196 834AA	1	J, T				
		1	B, U				

**JEEP CHEROKEE (XJ)**

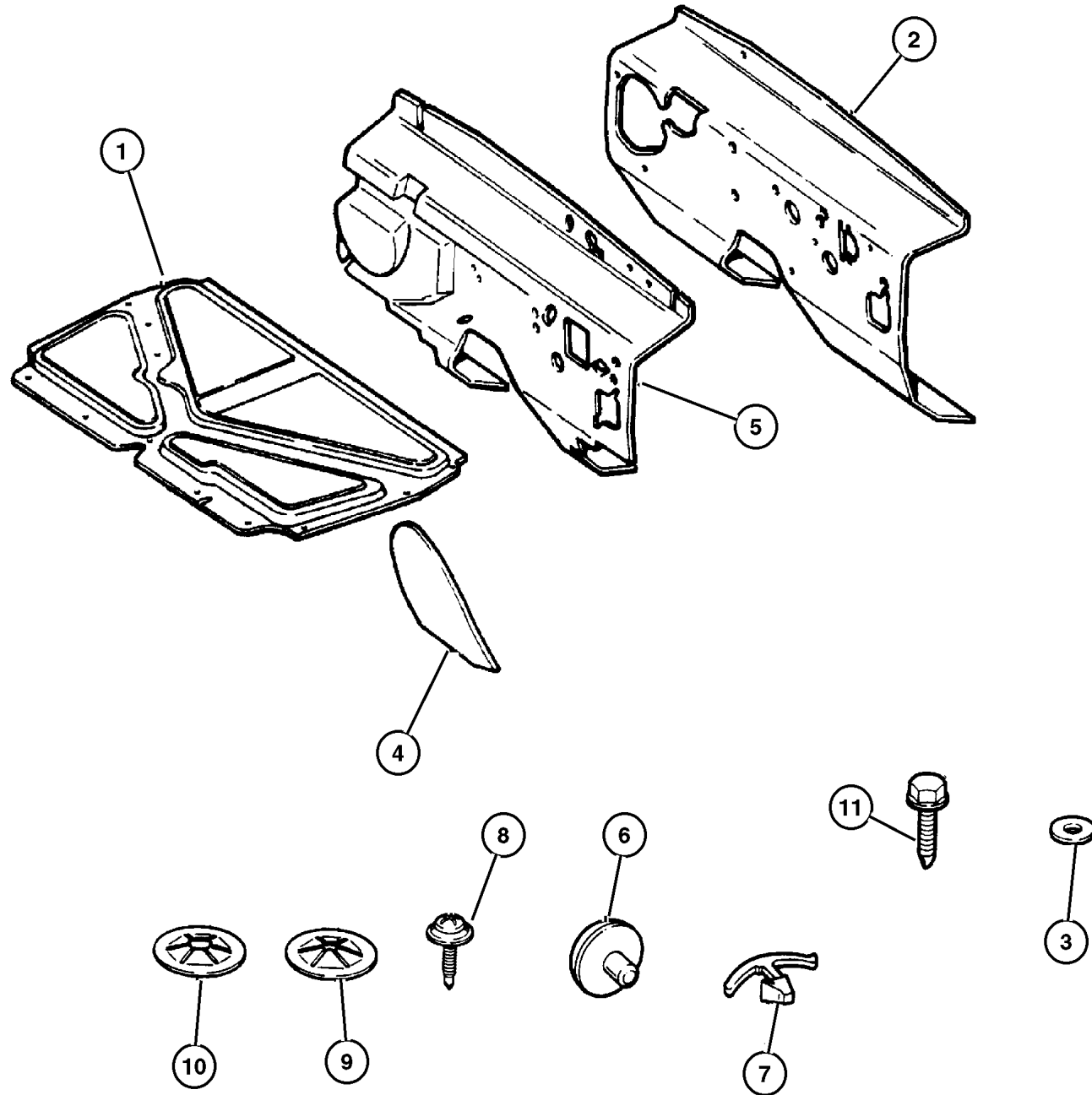
SERIES	LINE	BODY	ENGINE	TRANSMISSION
P=Classic	J=LHD (4WD)	74=4 Dr.(101.4WB)	ENC,EN0=2.5L 4 cyl. Turbo Die	DDD, DDQ=5 spd. Man.
S=Limited	U=RHD (4WD)	72=2 Dr.(101.4WB)	ERH,ER0=4.0L Power Tech I-6	DGS=4 spd. Auto. AISIN
H=Sport	T=LHD (2WD)		EPE,EP0=Magnum 2.5L SMPI	DG0=All Auto/Trans.
L=SE	B=RHD (2WD)			DBB=All Manual Trans.

AR = Use as required - = Non illustrated part # = New this model year

April 5, 2002

Insulation  
Figure IXJ-320

ITEM	PART NUMBER	QTY	LINE	SERIES	BODY	TRIM	DESCRIPTION
1	55217 068AE	1					INSULATION, Hood
2	55217 409AL	1	J, T				INSULATION, Dash Panel, Inner
3							WASHER, Flat, (NOT REQUIRED)
4	5500 4230	1					INSULATION, Toe Board
5							INSULATION, Dash Panel, Outer, (NOT SERVICED)
6	6503 274	5	B, U				NUT, Push On Insulation to Dash
		6	J, T				Insulation to Dash
7	6003 351	13					RETAINER, Hood Insulation, .415x.690
8							SCREW, Flat Head, .312-18x1.00, (NOT REQUIRED)
9	J400 5955	4	J, T				NUT, Hood Insulation , Diesel Engine
10	J400 0235	2					NUT, Push, .375, Insulation to Accelerator Stud
11	6035 156	2					SCREW, Flat Head, .312-18x1.00, Attach Insulation to Dash Panel

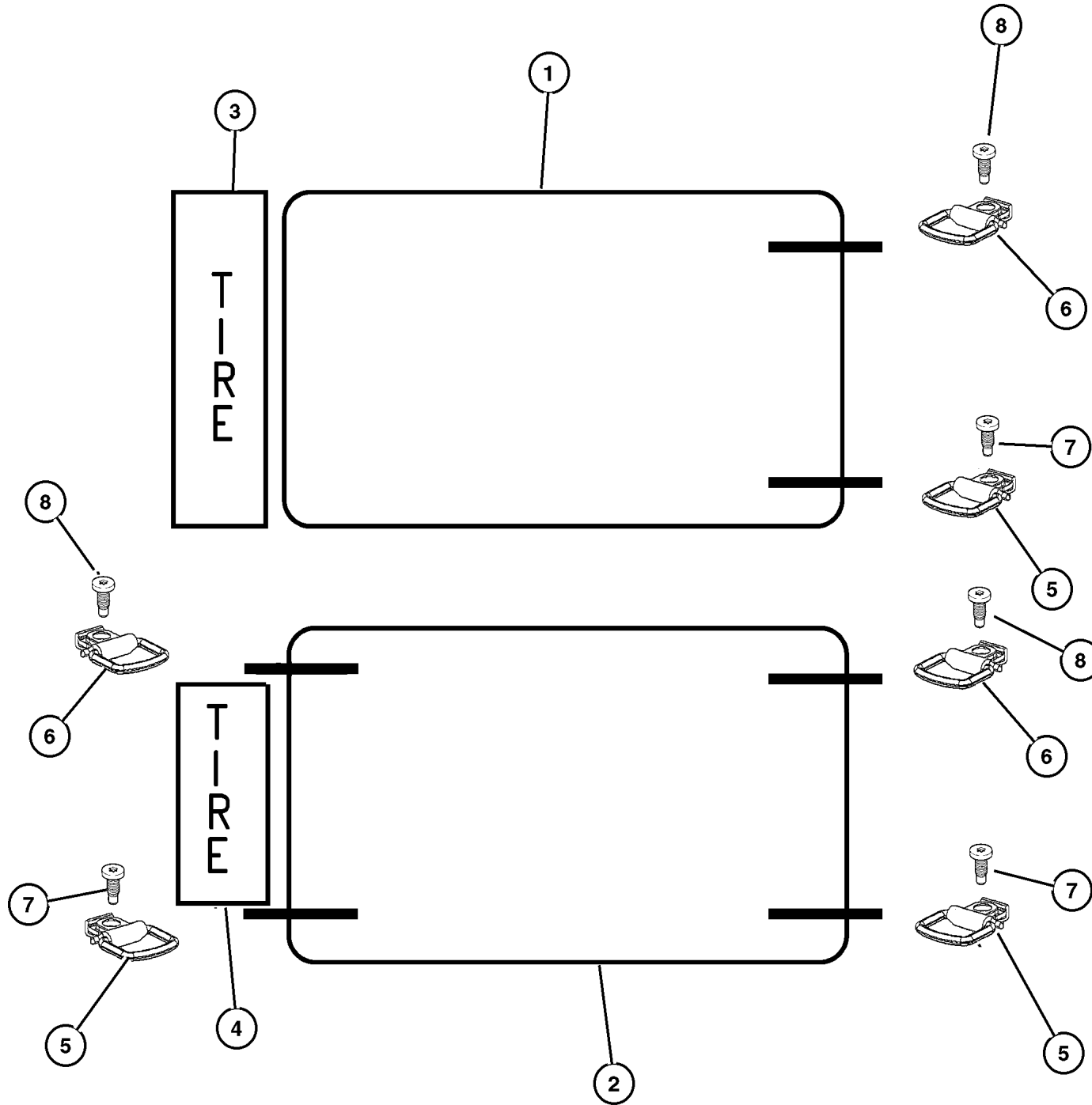


JEEP CHEROKEE (XJ)				
SERIES	LINE	BODY	ENGINE	TRANSMISSION
P=Classic	J=LHD (4WD)	74=4 Dr.(101.4WB)	ENC,EN0=2.5L 4 cyl. Turbo Die	DDD, DDQ=5 spd. Man.
S=Limited	U=RHD (4WD)	72=2 Dr.(101.4WB)	ERH,ER0=4.0L Power Tech I-6	DGS=4 spd. Auto. AISIN
H=Sport	T=LHD (2WD)		EPE,EP0=Magnum 2.5L SMPI	DG0=All Auto/Trans.
L=SE	B=RHD (2WD)			DBB=All Manual Trans.

AR = Use as required - = Non illustrated part # = New this model year

April 5, 2002

**Cover, Cargo  
Figure IXJ-330**



ITEM	PART NUMBER	QTY	LINE	SERIES	BODY	TRIM	DESCRIPTION
1							COVER, Cargo Compartment
	5FX86 LAZAB	1					[AZ], With Full Spare
	5FX86 RK5AB	1					[K5], With Full Spare
	5FX87 LAZAB	1	J, U				[AZ], With Compact Spare T155/90D16-Full
	5FX87 RK5AB	1	J, U				[K5], With Compact Spare T155/90D16-Full
2							COVER, Cargo Compartment
	5FX84 LAZAA	1	J, T				[AZ], With Mini Spare
	5FX84 RK5AA	1	J, T				[K5], With Mini Spare
3							COVER, Spare Tire
	5FX76 1AZAD	1	J, U				[AZ], With Compact Spare T155/90D16-Full
	5FX76 1K9AD	1	J, U				[K5], With Compact Spare T155/90D16-Full
	5FX79 1AZAE	1					[AZ], With Full Spare, With Cargo Cover
	5FX79 1K9AE	1					[K5], With Full Spare, With Cargo Cover
	5FM76 LAZAD	1					[AZ], With Full Spare, Without Cargo Cover
	5FM76 VK9AD	1					[K5], With Full Spare, Without Cargo Cover
4							COVER, Inside Spare Tire
	5FM74 LAZAC	1	J, T				[AZ], With Mini Spare
	5FM74 VK9AC	1	J, T				[K5], With Mini Spare
5	55352 692AA	2					LOOP, Cargo Tie Down
6	55352 697AA	2					LOOP, Cargo Tie Down
7	3420 1400	2					SCREW AND FINISH WASHER, Oval Head TR, 40mm Long
8							SCREW DRILL, Oval Truss Head, .164x18x1.378, (NOT SERVICED)

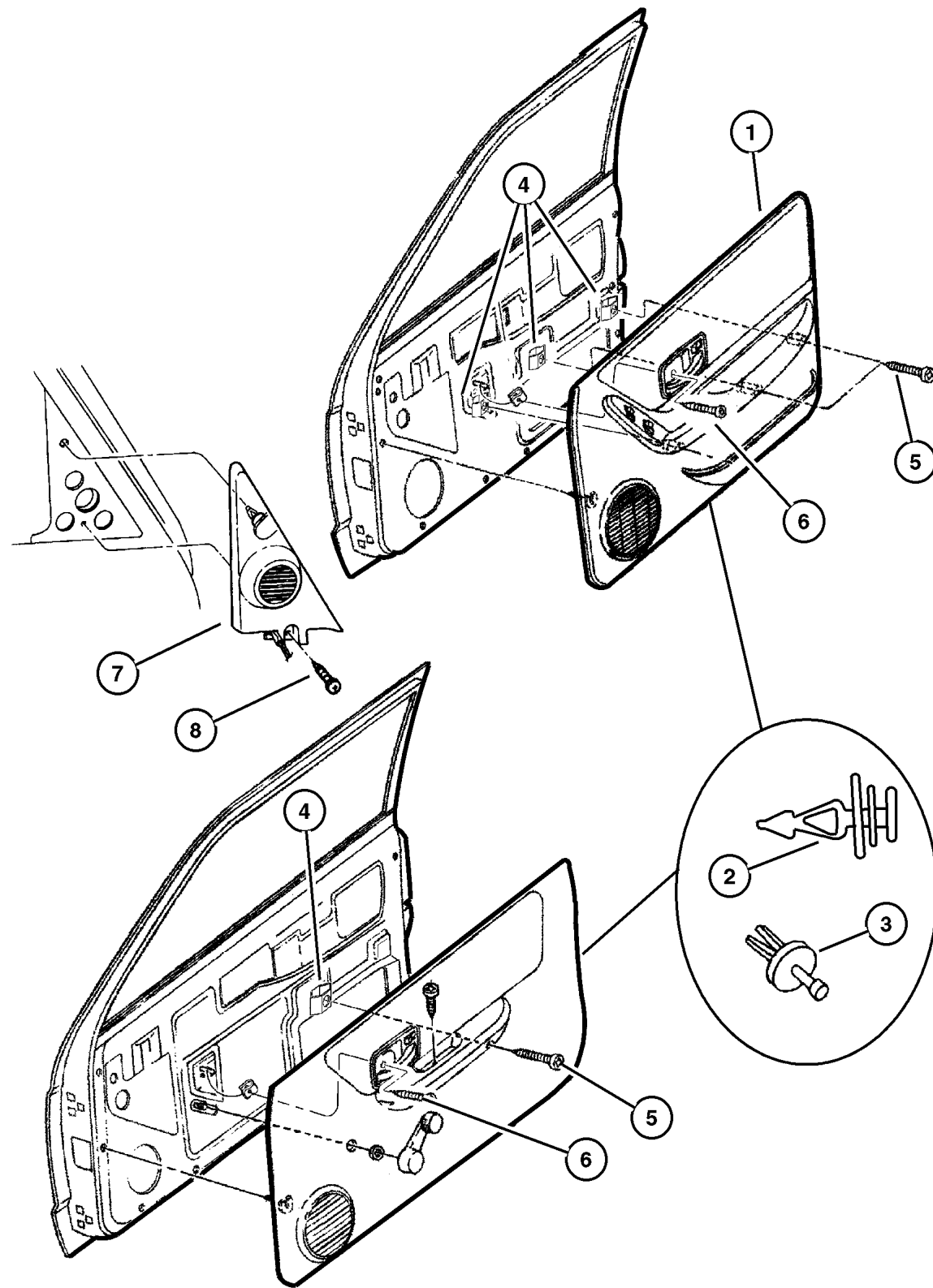
**JEEP CHEROKEE (XJ)**

SERIES	LINE	BODY	ENGINE	TRANSMISSION
P=Classic	J=LHD (4WD)	74=4 Dr.(101.4WB)	ENC,EN0=2.5L 4 cyl. Turbo Die	DDD, DDQ=5 spd. Man.
S=Limited	U=RHD (4WD)	72=2 Dr.(101.4WB)	ERH,ER0=4.0L Power Tech I-6	DGS=4 spd. Auto. AISIN
H=Sport	T=LHD (2WD)		EPE,EP0=Magnum 2.5L SMPI	DG0=All Auto/Trans.
L=SE	B=RHD (2WD)			DBB=All Manual Trans.

AR = Use as required - = Non illustrated part # = New this model year

April 5, 2002

### Interior Trim Parts, 2 Door 2 Door Figure IXJ-410



ITEM	PART NUMBER	QTY	LINE	SERIES	BODY	TRIM	DESCRIPTION
1							PANEL, Front Door Trim
	SR12 1AZAA	1	J, T		72		[AZ], With Power Windows, Locks, Right
	SR12 1K5AA	1	J, T		72		[K5], With Power Windows, Locks, Right
	SR13 1AZAA	1	J, T		72		[AZ], With Power Windows, Locks Mirrors, Left
	SR13 1K5AA	1	J, T		72		[K5], With Power Windows, Locks Mirrors, Left
	5EH32 1AZAE	1	J, T		72		[AZ], Right
	5EH32 1K5AE	1	J, T		72		[K5], Right
	5EH33 1AZAE	1	J, T		72		[AZ], Left
	5EH33 1K5AE	1	J, T		72		[K5], Left
	5EH35 1AZAF	1	J, T		72		[AZ], With Power Mirrors, Left
	5EH35 1K5AF	1	J, T		72		[K5], With Power Mirrors, Left
2	6504 014	AR					FASTENER, Door Trim Panel, White
3	6505 009AC	AR					FASTENER, Door Trim Panel, Black
4	6029 509	2					U-NUT, .250-14
5	1150 0068	6			74		SCREW, Pan Head Tapping, .250x14x1.772
6							SCREW, M4x0.7-16, (NOT SERVICED)
7							COVER, Mirror Opening
	5FM02 LAZAB	1					Without Tweeter, Right
	5FM03 LAZAB	1					Without Tweeter, Left
	5FV14 LAZAB	1					With Tweeter, Right
	5FV15 LAZAB	1					With Tweeter, Left
8							SCREW, .164-18x.625, (NOT SERVICED)
-9	6032 723	2					SCREW, Self Tapping, M4.2x1.69x19.05, Used on Front Door Trim Panel Tab
-10	6505 387AA	6					U-NUT, M6.3X1.81~~

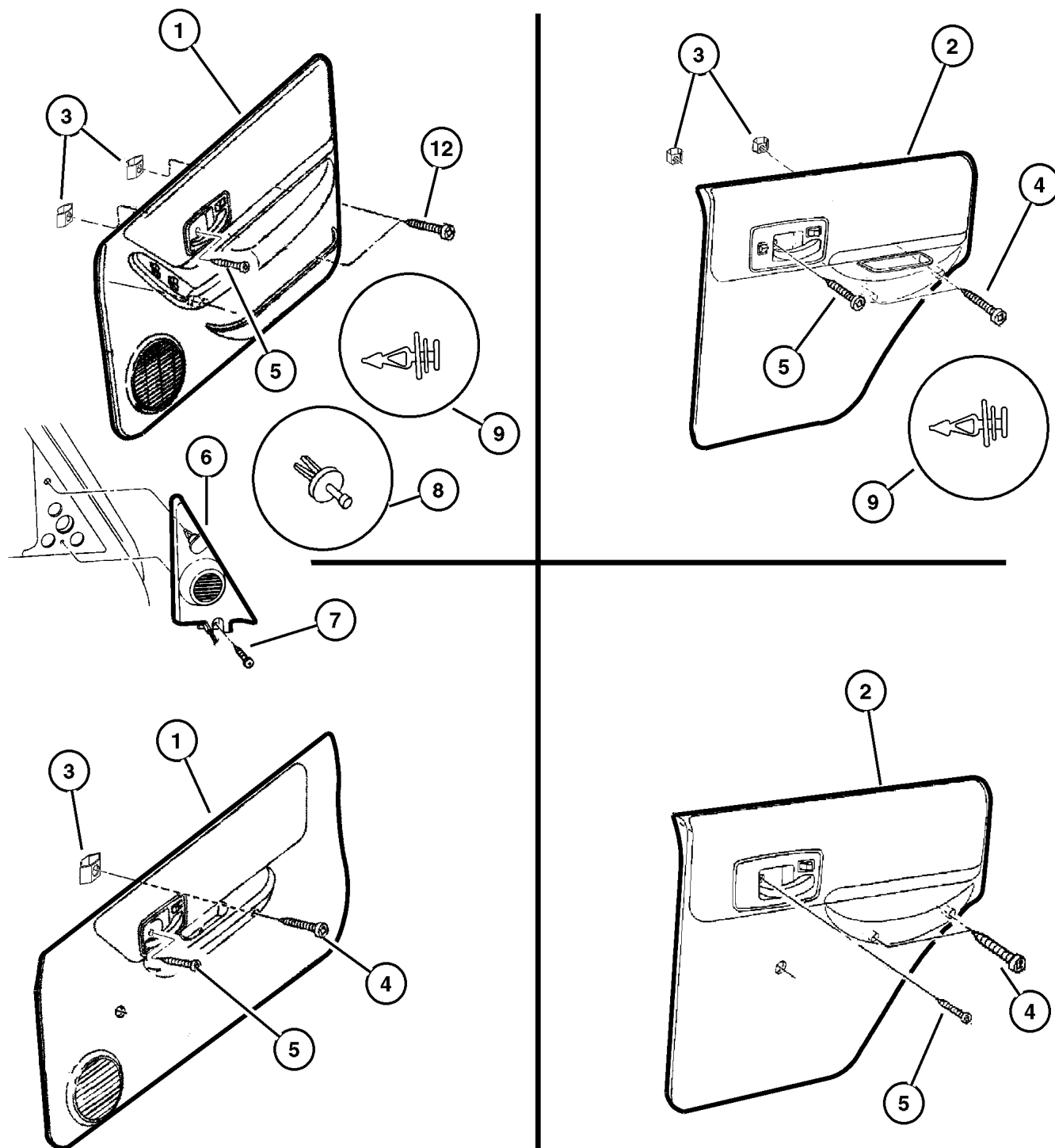
**JEEP CHEROKEE (XJ)**

SERIES	LINE	BODY	ENGINE	TRANSMISSION
P=Classic	J=LHD (4WD)	74=4 Dr.(101.4WB)	ENC,EN0=2.5L 4 cyl. Turbo Die	DDD, DDQ=5 spd. Man.
S=Limited	U=RHD (4WD)	72=2 Dr.(101.4WB)	ERH,ER0=4.0L Power Tech I-6	DGS=4 spd. Auto. AISIN
H=Sport	T=LHD (2WD)		EPE,EP0=Magnum 2.5L SMPI	DG0=All Auto/Trans.
L=SE	B=RHD (2WD)			DBB=All Manual Trans.

AR = Use as required - = Non illustrated part # = New this model year

April 5, 2002

**Interior Trim Parts, 4 Door 4 Door**  
**Figure IXJ-420**



ITEM	PART NUMBER	QTY	LINE	SERIES	BODY	TRIM	DESCRIPTION
Sales Codes: [CBW]= Highland Vinyl nsmision							
[CBV]= Cloth With Map Pocket nsmision							
[CBZ]= Premium Vinyl With Map Pocket nsmision							
[GVB]= Power Mirrors nsmision							
[JPA]= Power Windows nsmision							
[JPB]= Power Doors nsmision							
1	QL56 1AZ	1	J, T		74		PANEL, Front Door Trim [AZ], Highland Vinyl With Sales Codes, [CBW, JPA, JPB], Right
	QL56 1K5	1	J, T		74		[K5], Highland Vinyl With Sales Codes, [CBW, JPA, JPB], Right
	QL57 1AZ	1	J, T		74		[AZ], Highland Vinyl With Sales Codes, [CBW, JPA, JPB, GVB], Left
	QL57 1K5	1	J, T		74		[K5], Highland Vinyl With Sales Codes, [CBW, JPA, JPB, GVB], Left
	SR02 1AZAA	1	B, U		74		[AZ], Highland Vinyl With Sales Codes, [CBW, JPA, JPB], Right
	SR02 1K5AA	1	B, U		74		[K5], Highland Vinyl With Sales Codes, [CBW, JPA, JPB], Right
	SR03 1AZAA	1	B, U		74		[AZ], Highland Vinyl With Sales Codes, [CBW, JPA, JPB, GVB], Left
	SR03 1K5AA	1	B, U		74		[K5], Highland Vinyl With Sales Codes, [CBW, JPA, JPB, GVB], Left
	SR04 1AZAA	1	J, T		74		[AZ], Cloth With Map Pocket, Sales Code [CBV], Right
	SR04 1K5AA	1	J, T		74		[K5], Cloth With Map Pocket, Sales Code [CBV], Right
	SR05 1AZAA	1	J, T		74		[AZ], Cloth With Map Pocket, Sales Code [CBV], Left
	SR05 1K5AA	1	J, T		74		[K5], Cloth With Map Pocket, Sales Code [CBV], Left
	SR06 1AZAA	1	B, U		74		[AZ], Cloth With Map Pocket, Sales Code [CBV], Right
	SR06 1K5AA	1	B, U		74		[K5], Cloth With Map Pocket, Sales Code [CBV], Right
	SR07 1AZAA	1	B, U		74		[AZ], Cloth With Map Pocket, Sales Code [CBV], Left
	SR07 1K5AA	1	B, U		74		[K5], Cloth With Map Pocket, Sales Code [CBV], Left
	SR08 1AZAA	1	J, T		74		[AZ], Premium Vinyl With Map Pocket, Sales Code [CBZ], Right
	SR08 1K5AA	1	J, T		74		[K5], Premium Vinyl With Map Pocket, Sales Code [CBZ], Right

**JEEP CHEROKEE (XJ)**

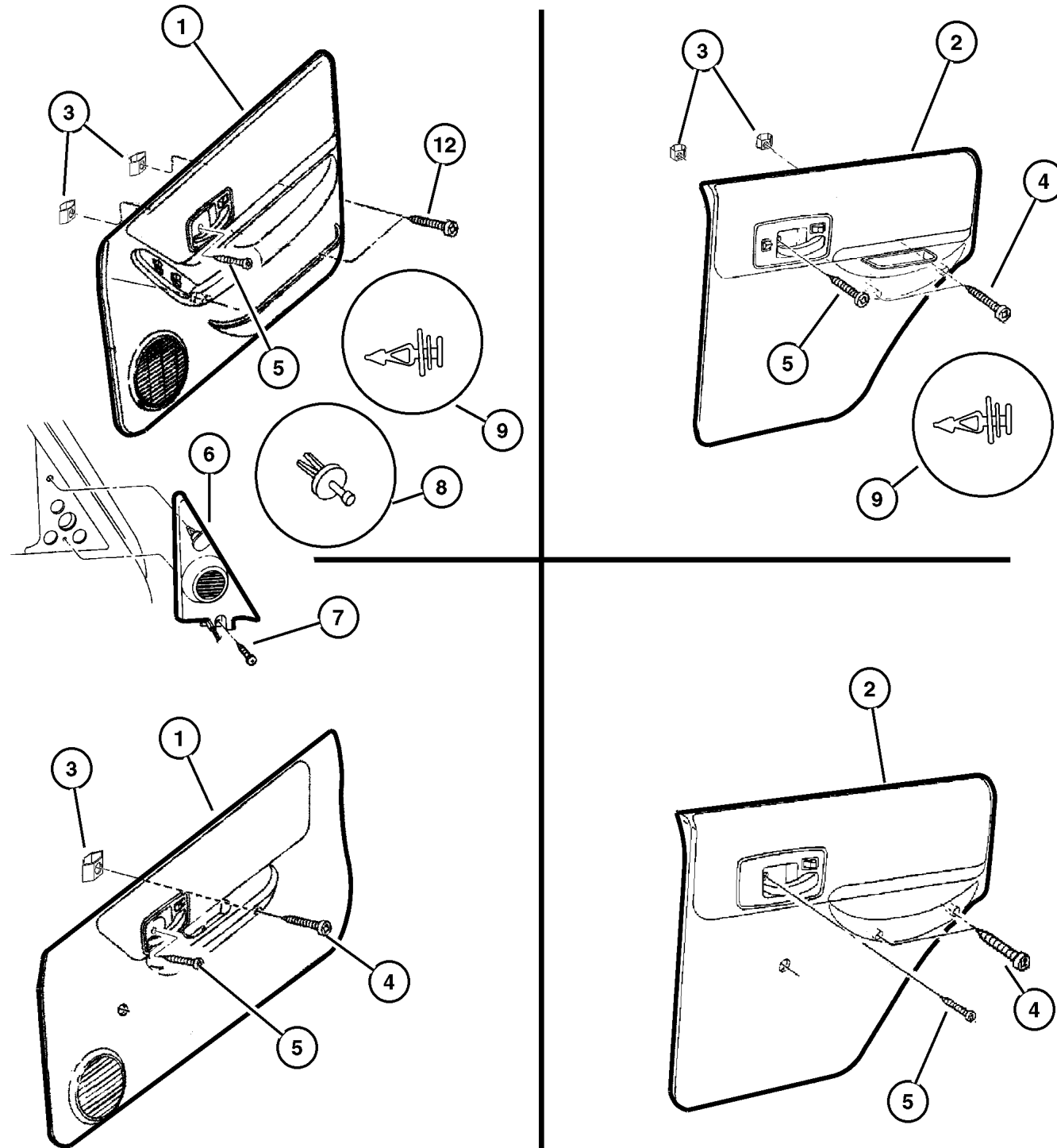
SERIES	LINE	BODY	ENGINE	TRANSMISSION
P=Classic	J=LHD (4WD)	74=4 Dr.(101.4WB)	ENC,EN0=2.5L 4 cyl. Turbo Die	DDD, DDQ=5 spd. Man.
S=Limited	U=RHD (4WD)	72=2 Dr.(101.4WB)	ERH,ER0=4.0L Power Tech I-6	DGS=4 spd. Auto. AISIN
H=Sport	T=LHD (2WD)		EPE,EP0=Magnum 2.5L SMPI	DG0=All Auto/Trans.
L=SE	B=RHD (2WD)			DBB=All Manual Trans.

AR = Use as required - = Non illustrated part # = New this model year

April 5, 2002



**Interior Trim Parts, 4 Door 4 Door  
Figure IXJ-420**



ITEM	PART NUMBER	QTY	LINE	SERIES	BODY	TRIM	DESCRIPTION
	SR09 1AZAA	1	J, T		74		[AZ], Premium Vinyl With Map Pocket, Sales Code [CBZ], Left
	SR09 1K5AA	1	J, T		74		[K5], Premium Vinyl With Map Pocket, Sales Code [CBZ], Left
	SR10 1AZAA	1	B, U		74		[AZ], Premium Vinyl With Map Pocket, Sales Code [CBZ], Right
	SR10 1K5AA	1	B, U		74		[K5], Premium Vinyl With Map Pocket, Sales Code [CBZ], Right
	SR11 1AZAA	1	B, U		74		[AZ], Premium Vinyl With Map Pocket, Sales Code [CBZ], Left
	SR11 1K5AA	1	B, U		74		[K5], Premium Vinyl With Map Pocket, Sales Code [CBZ], Left
	5EH24 1AZAE	1	J, T		74		[AZ], Highland Vinyl, Without Power, Sales Code [CBW], Right
		1	B, U		74		[AZ], Highland Vinyl, Without Power, Sales Code [CBW], Right
	5EH24 1K5AE	1	J, T		74		[K5], Highland Vinyl, Without Power, Sales Code [CBW], Right
		1	B, U		74		[K5], Highland Vinyl, Without Power, Sales Code [CBW], Right
	5EH25 1AZAE	1	B, U		74		[AZ], Highland Vinyl, Without Power, Sales Code [CBW], Left
		1	J, T		74		[AZ], Highland Vinyl, Without Power, Sales Code [CBW], Left
	5EH25 1K5AE	1	B, U		74		[K5], Highland Vinyl, Without Power, Sales Code [CBW], Left
		1	J, T		74		[K5], Highland Vinyl, Without Power, Sales Code [CBW], Left
	5EH26 1AZAF	1	B, U		74		[AZ], Highland Vinyl, With Power Mirrors Only, Sales Codes [CBW, GVB], Right
	5EH26 1K5AF	1	B, U		74		[K5], Highland Vinyl, With Power Mirrors Only, Sales Codes [CBW, GVB], Right
	5EH27 1AZAF	1	J, T		74		[AZ], Highland Vinyl, With Power Mirrors Only, Sales Codes [CBW, GVB], Left
	5EH27 1K5AF	1	J, T		74		[K5], Highland Vinyl, With Power Mirrors Only, Sales Codes [CBW, GVB], Left
2							PANEL, Rear Door Trim
	QL78 1AZ	1			74		[AZ], Highland Vinyl, With Sales Codes [CBW, JPA, JPB], Right
	QL78 1K5	1			74		[K5], Highland Vinyl, With Sales Codes [CBW, JPA, JPB], Right
	QL79 1AZ	1			74		[AZ], Highland Vinyl, With Sales Codes [CBW, JPA, JPB], Left

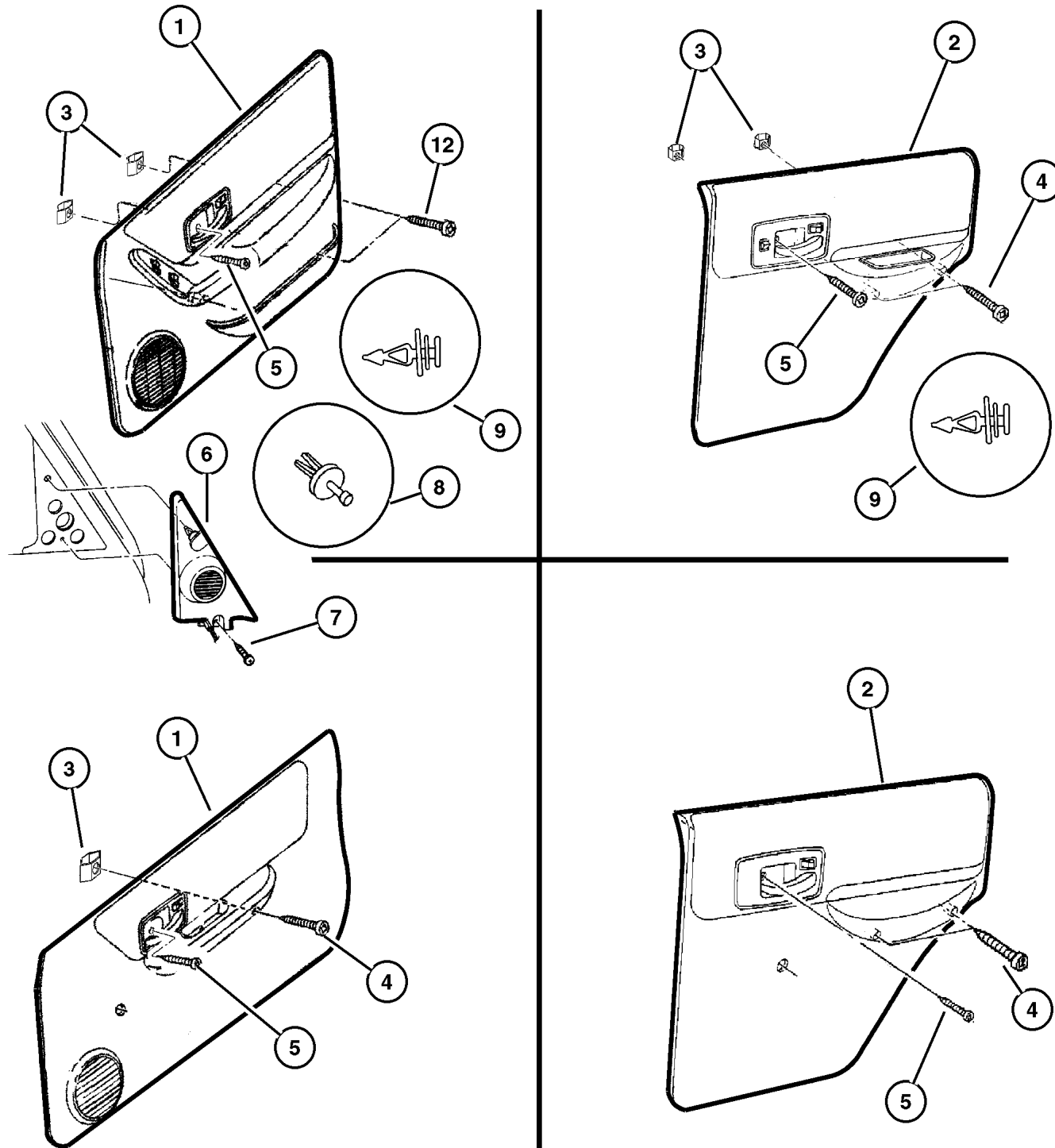
**JEEP CHEROKEE (XJ)**

SERIES	LINE	BODY	ENGINE	TRANSMISSION
P=Classic	J=LHD (4WD)	74=4 Dr.(101.4WB)	ENC,EN0=2.5L 4 cyl. Turbo Die	DDD, DDQ=5 spd. Man.
S=Limited	U=RHD (4WD)	72=2 Dr.(101.4WB)	ERH,ER0=4.0L Power Tech I-6	DGS=4 spd. Auto. AISIN
H=Sport	T=LHD (2WD)		EPE,EP0=Magnum 2.5L SMPI	DG0=All Auto/Trans.
L=SE	B=RHD (2WD)			DBB=All Manual Trans.

AR = Use as required - = Non illustrated part # = New this model year

April 5, 2002

### Interior Trim Parts, 4 Door 4 Door Figure IXJ-420



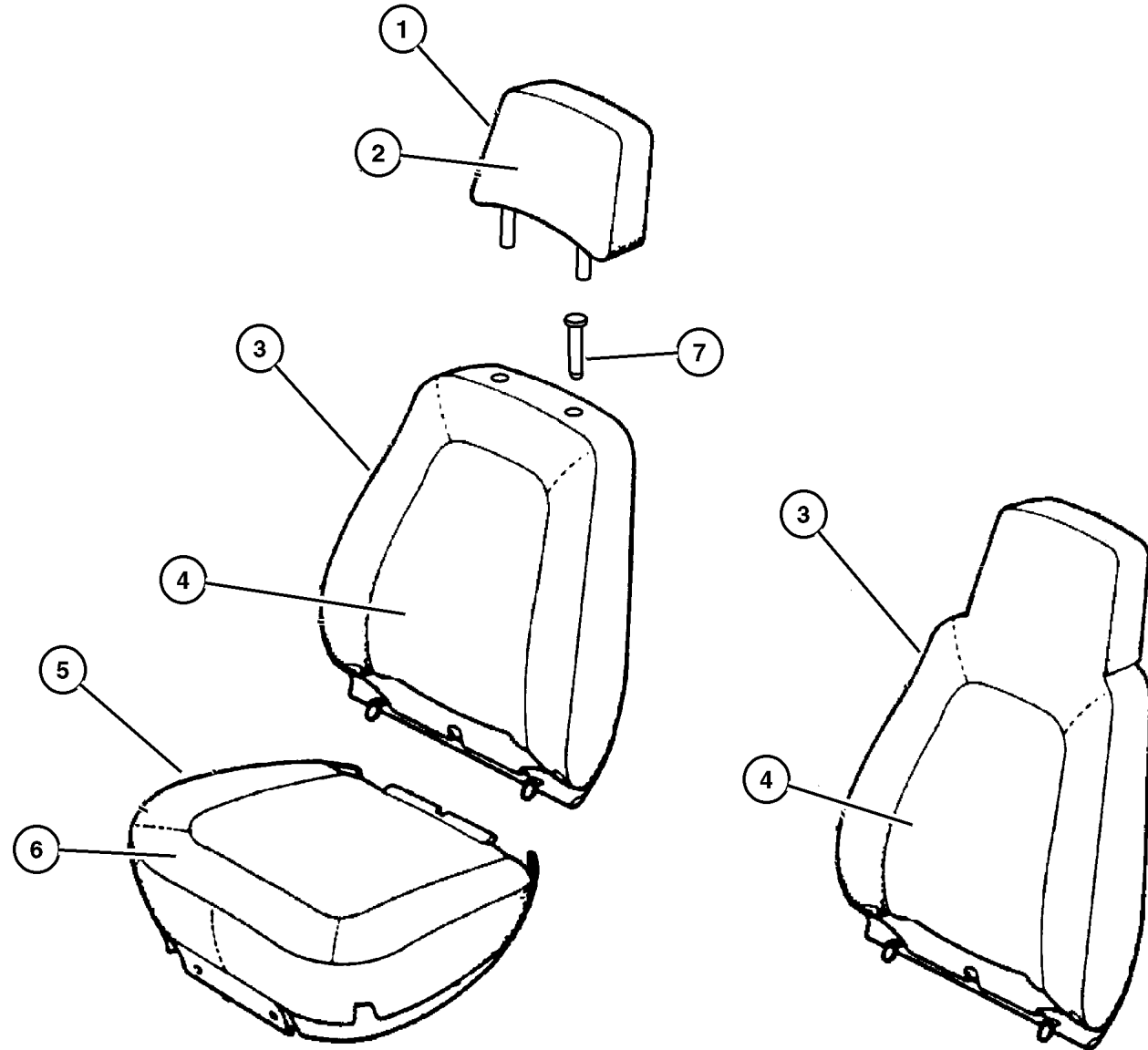
ITEM	PART NUMBER	QTY	LINE	SERIES	BODY	TRIM	DESCRIPTION
	QL79 1K5	1			74		[K5], Highland Vinyl, With Sales Codes [CBW, JPA, JPB], Left
	QL80 1AZ	1			74		[AZ], Cloth With Map Pocket, Sales Code [CBV], Right
	QL80 1K5	1			74		[K5], Cloth With Map Pocket, Sales Code [CBV], Right
	QL81 1AZ	1			74		[AZ], Cloth With Map Pocket, Sales Code [CBV], Left
	QL81 1K5	1			74		[K5], Cloth With Map Pocket, Sales Code [CBV], Left
	QL82 1AZ	1			74		[AZ], Premium Vinyl With Map Pockets, Sales Code [CBZ], Right
	QL82 1K5	1			74		[K5], Premium Vinyl With Map Pockets, Sales Code [CBZ], Right
	QL83 1AZ	1			74		[AZ], Premium Vinyl With Map Pockets, Sales Code [CBZ], Left
	QL83 1K5	1			74		[K5], Premium Vinyl With Map Pockets, Sales Code [CBZ], Left
	5EG82 1AZAC	1			74		[AZ], Highland Vinyl, Without Power, Sales Code [CBW], Right
	5EG82 1K5AC	1			74		[K5], Highland Vinyl, Without Power, Sales Code [CBW], Right
	5EG83 1AZAC	1			74		[AZ], Highland Vinyl, Without Power, Sales Code [CBW], Left
	5EG83 1K5AC	1			74		[K5], Highland Vinyl, Without Power, Sales Code [CBW], Left
3	6029 509	2					U-NUT, .250-14
4							SCREW, Pan Head Tapping, .250x14x1.772, (NOT SERVICED)
5							SCREW, Remote Control Handle, M4x.7x16, (NOT SERVICED)
6							COVER, Mirror Opening
	5FM02 LAZAB	1					[AZ], Without Tweeter, Right
	5FM03 LAZAB	1					[AZ], Without Tweeter, Left
	5FV14 LAZAB	1					[AZ], With Tweeter, Right
	5FV15 LAZAB	1					[AZ], With Tweeter, Left
7							SCREW, .164-18x.625, (NOT SERVICED)
8	6505 009AC	AR					FASTENER, Door Trim Panel, Black
9	6504 014	5					FASTENER, Door Trim Panel, White
-10	6032 723	2					SCREW, Self Tapping, M4.2x1.69x19.05, Used on Front Door Trim Panel Tab
-11	6505 387AA	6					U-NUT, M6.3X1.81~~
12	1150 0068	6					SCREW, Pan Head Tapping, .250x14x1.772

JEEP CHEROKEE (XJ)				
SERIES	LINE	BODY	ENGINE	TRANSMISSION
P=Classic	J=LHD (4WD)	74=4 Dr.(101.4WB)	ENC,EN0=2.5L 4 cyl. Turbo Die	DDD, DDQ=5 spd. Man.
S=Limited	U=RHD (4WD)	72=2 Dr.(101.4WB)	ERH,ER0=4.0L Power Tech I-6	DGS=4 spd. Auto. AISIN
H=Sport	T=LHD (2WD)		EPE,EP0=Magnum 2.5L SMP1	DG0=All Auto/Trans.
L=SE	B=RHD (2WD)			DBB=All Manual Trans.

AR = Use as required - = Non illustrated part # = New this model year

April 5, 2002

## Seat Covers and Seat Assemblies Figure IXJ-510



ITEM	PART NUMBER	QTY	LINE	SERIES	BODY	TRIM	DESCRIPTION
1	HEADREST, Front						
	TH67 1AZAA	2	J, T		74	DL	[AZ]
		2	B, U		74	DL	[AZ]
	TH67 1K5AA	2	J, T		74	DL	[K5]
		2	B, U		74	DL	[K5]
	TH65 1AZAA	2	B, U		74	XJ	[AZ]
		2	J, T		74	XJ	[AZ]
	TH65 1K5AA	2	J, T		72	XJ	[AZ]
		2	B, U		74	XJ	[K5]
		2	J, T		74	XJ	[K5]
	2	J, T		72	XJ	[K5]	
2	COVER, Seat Headrest						
	QW20 1AZAA	1	J, T		74	DL	[AZ]
		1	B, U		74	DL	[AZ]
	QW20 1K5AA	1	J, T		74	DL	[K5]
		1	B, U		74	DL	[K5]
	QW65 1AZAA	1	J, T		72	XJ	[AZ]
		1	B, U		74	XJ	[AZ]
	QW65 1K5AA	1	J, T		74	XJ	[AZ]
		1	B, U		74	XJ	[K5]
		1	J, T		74	XJ	[K5]
	1	J, T		72	XJ	[K5]	
3	BACK, Front Seat						
	QV90 1AZAA	1	J, T		74	B6	[AZ], Right
		1	J, T, U		72	B6	[AZ], Right
	QV90 1K5AA	1	B, U		74	B6	[AZ], Right
		1	J, T		74	B6	[K5], Right
		1	J, T, U		72	B6	[K5], Right
		1	B, U		74	B6	[K5], Right
	QV91 1AZAA	1	J, T		74	B6	[AZ], Left
		1	J, T, U		72	B6	[AZ], Left
		1	B, U		74	B6	[AZ], Left
		1	J, T		74	B6	[K5], Left
		1	J, T, U		72	B6	[K5], Left
		1	B, U		74	B6	[K5], Left
	SN49 1K5AA	1	J, T		74	DL	[K5], Heated, Left
		1	B, U		74	DL	[K5], Heated, Left
	SN49 1AZAA	1	J, T		74	DL	[AZ], Heated, Left
1		B, U		74	DL	[AZ], Heated, Left	
SN48 1K5AA	1	J, T		74	DL	[K5], Heated, Right	
	1	B, U		74	DL	[K5], Heated, Right	
SN48 1AZAA	1	J, T		74	DL	[AZ], Heated, Right	

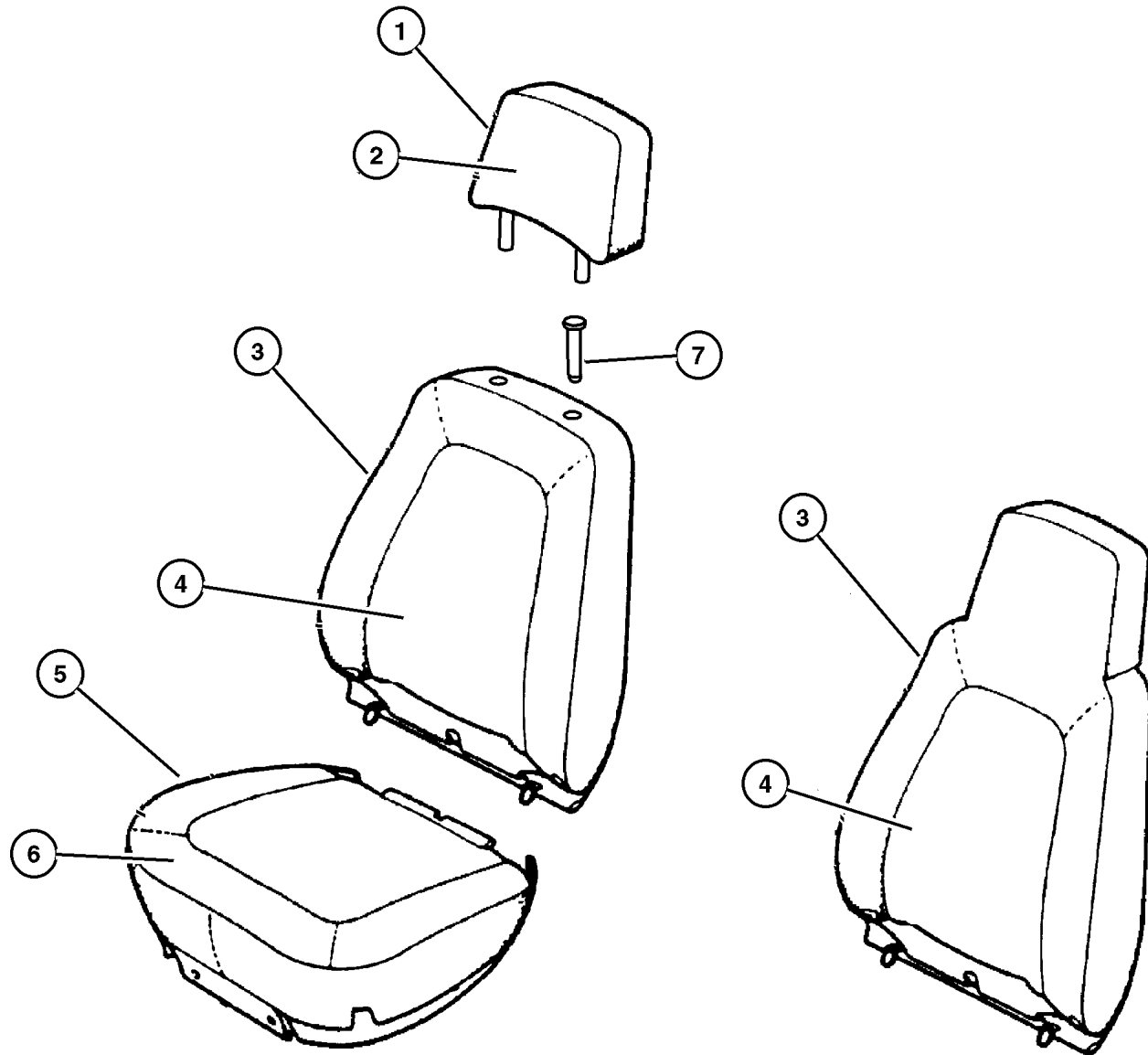
### JEEP CHEROKEE (XJ)

SERIES	LINE	BODY	ENGINE	TRANSMISSION
P=Classic	J=LHD (4WD)	74=4 Dr.(101.4WB)	ENC,EN0=2.5L 4 cyl. Turbo Die	DDD, DDQ=5 spd. Man.
S=Limited	U=RHD (4WD)	72=2 Dr.(101.4WB)	ERH,ER0=4.0L Power Tech I-6	DGS=4 spd. Auto. AISIN
H=Sport	T=LHD (2WD)		EPE,EP0=Magnum 2.5L SMPI	DG0=All Auto/Trans.
L=SE	B=RHD (2WD)			DBB=All Manual Trans.

AR = Use as required - = Non illustrated part # = New this model year

April 5, 2002

**Seat Covers and Seat Assemblies**  
**Figure IXJ-510**



ITEM	PART NUMBER	QTY	LINE	SERIES	BODY	TRIM	DESCRIPTION
		1	B, U		74	DL	[AZ], Heated, Right
	QW07 1K5AA	1	B, U		74	DL	[K5], Left
		1	J, T		74	DL	[K5], Left
	QW07 1AZAA	1	B, U		74	DL	[AZ], Left
		1	J, T		74	DL	[AZ], Left
	QW06 1K5AA	1	B, U		74	DL	[K5], Right
		1	J, T		74	DL	[K5], Right
	QW06 1AZAA	1	B, U		74	DL	[AZ], Right
		1	J, T		74	DL	[AZ], Right
	QW23 1AZAA	1	B, U		74	M5	[AZ], Left
	QW23 1K5AA	1	J, T		72	M5	[K5], Left
		1	J, T		74	M5	[K5], Left
		1	B, U		74	M5	[K5], Left
	QW23 1AZAA	1	J, T		74	M5	[AZ], Left
		1	J, T		72	M5	[AZ], Left
	QW22 1K5AA	1	B, U		74	M5	[K5], Right
		1	J, T		74	M5	[K5], Right
	QW22 1AZAA	1	B, U		74	M5	[AZ], Right
		1	J, T		74	M5	[AZ], Right
		1	J, T		72	M5	[AZ], Right
		1	J, T		74	X5	[AZ], Right
	QW22 1K5AA	1	J, T		74	X5	[K5], Right
	QW23 1AZAA	1	J, T		74	X5	[AZ], Left
	QW45 1K5AA	1	J, T		72	XJ	[K5], Left
		1	J, T		74	XJ	[K5], Left
		1	B, U		74	XJ	[K5], Left
	QW45 1AZAA	1	J, T		72	XJ	[AZ], Left
		1	J, T		74	XJ	[AZ], Left
		1	B, U		74	XJ	[AZ], Left
	QW44 1K5AA	1	J, T		72	XJ	[K5], Right
		1	J, T		74	XJ	[K5], Right
		1	B, U		74	XJ	[K5], Right
	QW44 1AZAA	1	J, T		72	XJ	[AZ], Right
		1	J, T		74	XJ	[AZ], Right
		1	B, U		74	XJ	[AZ], Right
4							COVER, Seat Back
	QV95 1AZAA	1	J, T		74	B6	[AZ]
		1	J, T, U		72	B6	[AZ]
		1	B, U		74	B6	[AZ]
	QV95 1K5AA	1	J, T		74	B6	[K5]
		1	J, T, U		72	B6	[K5]

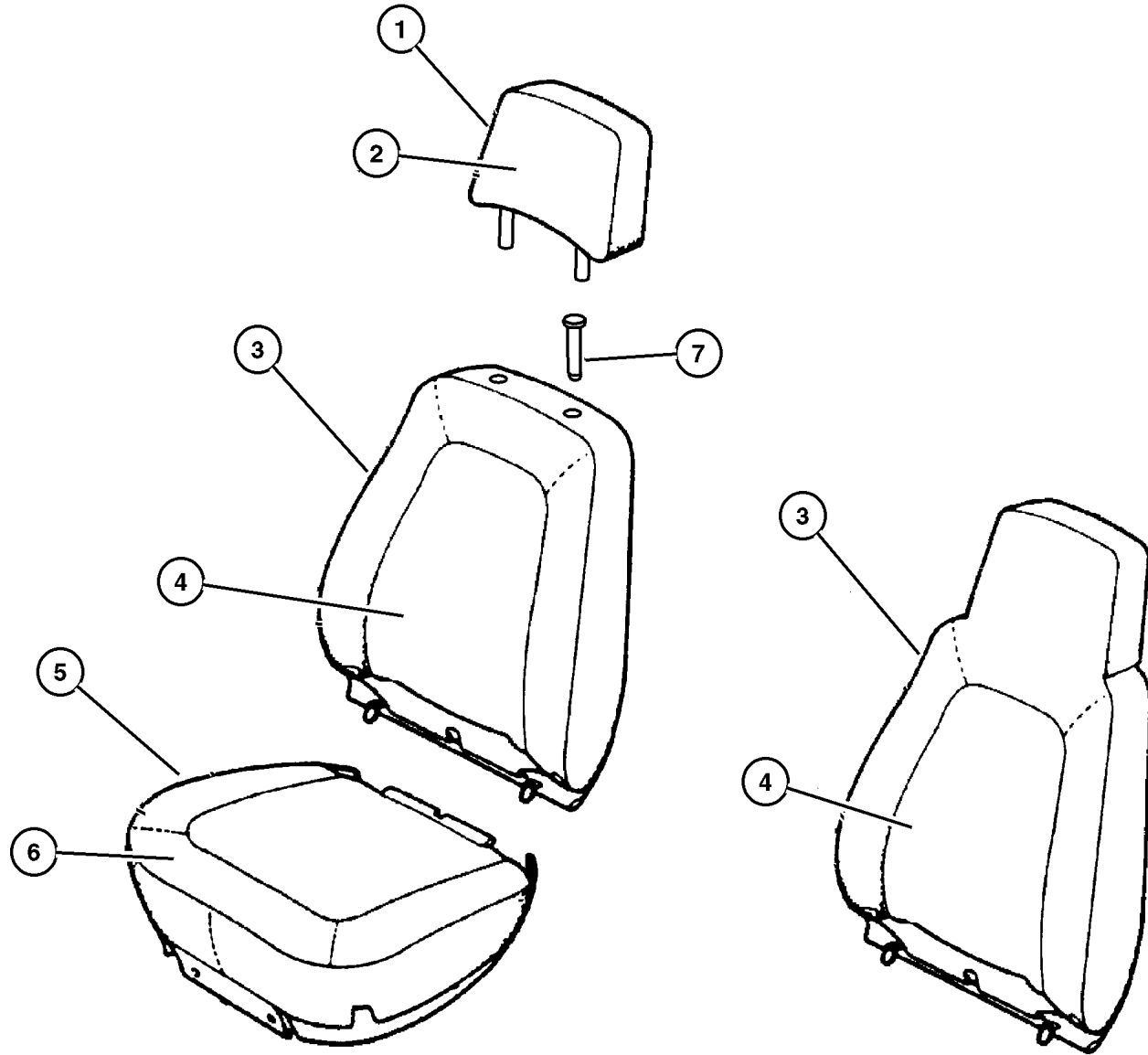
**JEEP CHEROKEE (XJ)**

SERIES	LINE	BODY	ENGINE	TRANSMISSION
P=Classic	J=LHD (4WD)	74=4 Dr.(101.4WB)	ENC,EN0=2.5L 4 cyl. Turbo Die	DDD, DDQ=5 spd. Man.
S=Limited	U=RHD (4WD)	72=2 Dr.(101.4WB)	ERH,ER0=4.0L Power Tech I-6	DGS=4 spd. Auto. AISIN
H=Sport	T=LHD (2WD)		EPE,EP0=Magnum 2.5L SMPI	DG0=All Auto/Trans.
L=SE	B=RHD (2WD)			DBB=All Manual Trans.

AR = Use as required - = Non illustrated part # = New this model year

April 5, 2002

### Seat Covers and Seat Assemblies Figure IXJ-510



ITEM	PART NUMBER	QTY	LINE	SERIES	BODY	TRIM	DESCRIPTION
		1	B, U		74	B6	[K5]
	SN55 1K5AA	2	J, T		74	DL	[K5], Heated
		2	B, U		74	DL	[K5], Heated
	SN55 1AZAA	2	B, U		74	DL	[AZ], Heated
		2	J, T		74	DL	[AZ], Heated
	QW04 1K5AA	2	B, U		74	DL	[K5]
		2	J, T		74	DL	[K5]
	QW04 1AZAA	2	B, U		74	DL	[AZ]
		2	J, T		74	DL	[AZ]
	QW24 1K5AA	1	J, T		74	M5	[K5]
		1	B, U		74	M5	[K5]
		1	J, T		72	M5	[K5]
	QW24 1AZAA	1	B, U		74	M5	[AZ]
		1	J, T		74	M5	[AZ]
		1	J, T		72	M5	[AZ]
	QW24 1K5AA	1	J, T		74	X5	[K5]
	QW24 1AZAA	1	J, T		74	X5	[AZ]
	QW46 1AZAA	2	B, U		74	XJ	[AZ]
		2	J, T		74	XJ	[AZ]
	QW46 1K5AA	2	J, T		72	XJ	[K5]
		2	J, T		74	XJ	[K5]
		2	B, U		74	XJ	[K5]
	QW46 1AZAA	2	J, T		72	XJ	[AZ]
5							FRAME, Front Seat
	4856 470	1	J, T		74	B6	Right
		1	J, T, U		72	B6	Right
		1	B, U		74	B6	Right
	4856 471	1	B, U		74	B6	Left
		1	J, T, U		72	B6	Left
		1	J, T		74	B6	Left
		1	J, T		74	DL	Left
		1	B, U		74	DL	Left
	4856 470	1	J, T		74	DL	Right
		1	B, U		74	DL	Right
	4856 471	1	B, U		74	M5	Left
		1	J, T		74	M5	Left
	4856 470	1	J, T		72	M5	Right
	4856 471	1	J, T		72	M5	Left
	4856 470	1	J, T		74	M5	Right
		1	B, U		74	M5	Right
	4856 471	1	J, T		74	X5	Left
	4856 470	1	J, T		74	X5	Right

#### JEEP CHEROKEE (XJ)

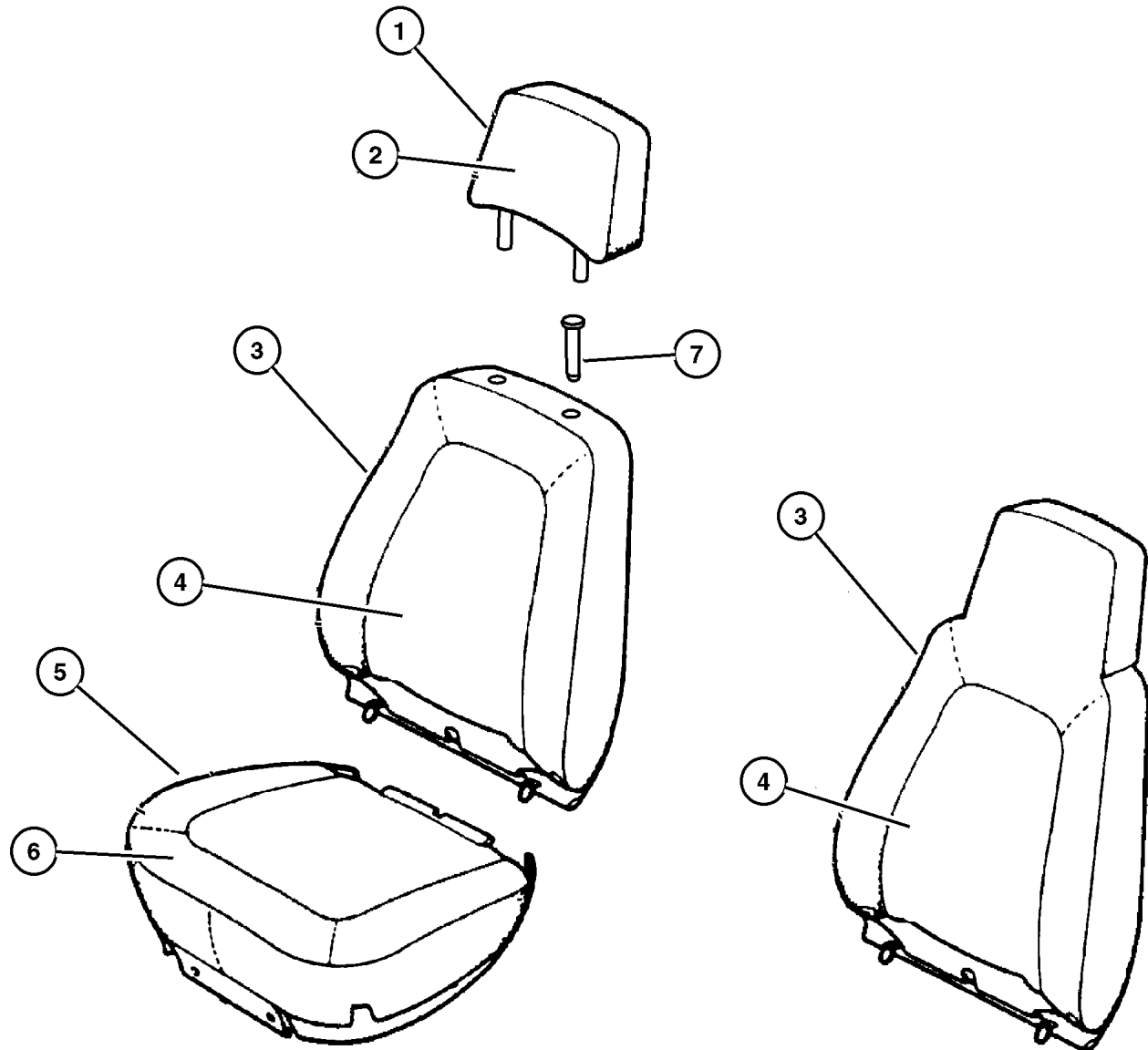
SERIES	LINE	BODY	ENGINE	TRANSMISSION
P=Classic	J=LHD (4WD)	74=4 Dr.(101.4WB)	ENC,EN0=2.5L 4 cyl. Turbo Die	DDD, DDQ=5 spd. Man.
S=Limited	U=RHD (4WD)	72=2 Dr.(101.4WB)	ERH,ER0=4.0L Power Tech I-6	DGS=4 spd. Auto. AISIN
H=Sport	T=LHD (2WD)		EPE,EP0=Magnum 2.5L SMPI	DG0=All Auto/Trans.
L=SE	B=RHD (2WD)			DBB=All Manual Trans.

AR = Use as required - = Non illustrated part # = New this model year

April 5, 2002

**Seat Covers and Seat Assemblies**  
**Figure IXJ-510**

ITEM	PART NUMBER	QTY	LINE	SERIES	BODY	TRIM	DESCRIPTION
		1	J, T		74	XJ	Right
		1	J, T		72	XJ	Right
	4856 471	1	B, U		74	XJ	Left
		1	J, T		74	XJ	Left
		1	J, T		72	XJ	Left
	4856 470	1	B, U		74	XJ	Right
6							COVER AND PAD, Cushion
	RG62 1AZAA	1	J, T		74	B6	[AZ], Right
		1	J, T, U		72	B6	[AZ], Right
		1	B, U		74	B6	[AZ], Right
	RG62 1K5AA	1	J, T		74	B6	[K5], Right
		1	J, T, U		72	B6	[K5], Right
		1	B, U		74	B6	[K5], Right
	RG63 1AZAA	1	J, T		74	B6	[AZ], Left
		1	J, T, U		72	B6	[AZ], Left
		1	B, U		74	B6	[AZ], Left
	RG63 1K5AA	1	J, T		74	B6	[K5], Left
		1	J, T, U		72	B6	[K5], Left
		1	B, U		74	B6	[K5], Left
	RG68 1AZAA	1	J, T		74	DL	[AZ], Right
		1	B, U		74	DL	[AZ], Right
	RG68 1K5AA	1	J, T		74	DL	[K5], Right
		1	B, U		74	DL	[K5], Right
	RG69 1AZAA	1	J, T		74	DL	[AZ], Left
		1	B, U		74	DL	[AZ], Left
	RG69 1K5AA	1	J, T		74	DL	[K5], Left
		1	B, U		74	DL	[K5], Left
	SN90 1AZAA	1	B, U		74	DL	[AZ], Heated, Right
		1	J, T		74	DL	[AZ], Heated, Right
	SN90 1K5AA	1	J, T		74	DL	[K5], Heated, Right
		1	B, U		74	DL	[K5], Heated, Right
	SN91 1AZAA	1	B, U		74	DL	[AZ], Heated, Left
		1	J, T		74	DL	[AZ], Heated, Left
	SN91 1K5AA	1	B, U		74	DL	[K5], Heated, Left
		1	J, T		74	DL	[K5], Heated, Left
	RG70 1AZAA	1	J, T		72	M5	[AZ], Right
		1	J, T		74	M5	[AZ], Right
		1	B, U		74	M5	[AZ], Right
	RG70 1K5AA	1	J, T		72	M5	[K5], Right
		1	J, T		74	M5	[K5], Right
		1	B, U		74	M5	[K5], Right
	RG71 1AZAA	1	J, T		72	M5	[AZ], Left



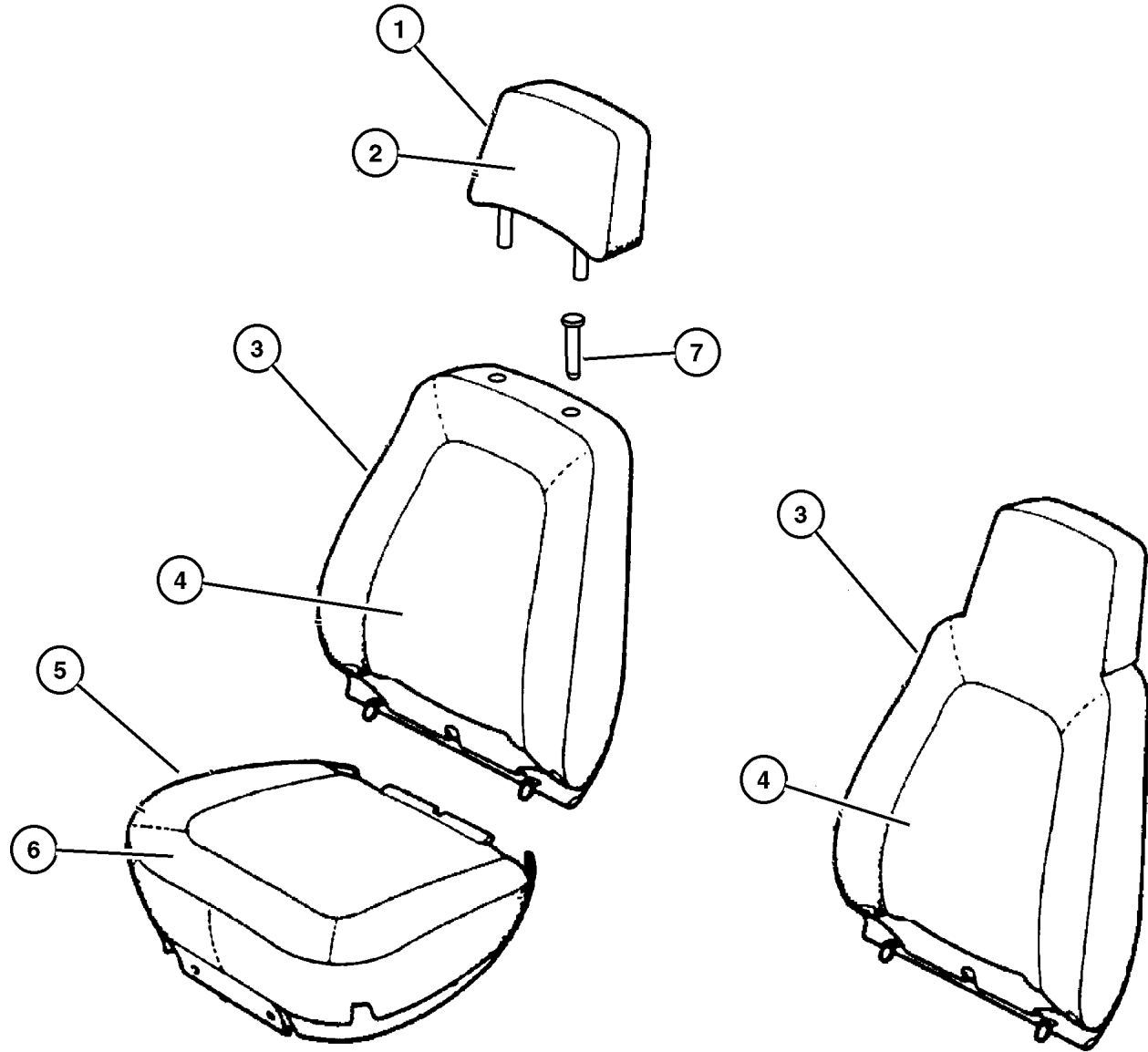
**JEEP CHEROKEE (XJ)**

SERIES	LINE	BODY	ENGINE	TRANSMISSION
P=Classic	J=LHD (4WD)	74=4 Dr.(101.4WB)	ENC,EN0=2.5L 4 cyl. Turbo Die	DDD, DDQ=5 spd. Man.
S=Limited	U=RHD (4WD)	72=2 Dr.(101.4WB)	ERH,ER0=4.0L Power Tech I-6	DGS=4 spd. Auto. AISIN
H=Sport	T=LHD (2WD)		EPE,EP0=Magnum 2.5L SMPI	DG0=All Auto/Trans.
L=SE	B=RHD (2WD)			DBB=All Manual Trans.

AR = Use as required - = Non illustrated part # = New this model year

April 5, 2002

**Seat Covers and Seat Assemblies**  
**Figure IXJ-510**



ITEM	PART NUMBER	QTY	LINE	SERIES	BODY	TRIM	DESCRIPTION
		1	J, T		74	M5	[AZ], Left
		1	B, U		74	M5	[AZ], Left
	RG71 1K5AA	1	J, T		72	M5	[K5], Left
		1	J, T		74	M5	[K5], Left
		1	B, U		74	M5	[K5], Left
	RG71 1AZAA	1	J, T		74	X5	[AZ], Left
	RG71 1K5AA	1	J, T		74	X5	[K5], Left
	RG70 1K5AA	1	J, T		74	X5	[K5], Right
	RG70 1AZAA	1	J, T		74	X5	[AZ], Right
	RG72 1K5AA	1	B, U		74	XJ	[K5], Right
		1	J, T		72	XJ	[K5], Right
	RG73 1AZAA	1	B, U		74	XJ	[AZ], Left
		1	J, T		74	XJ	[AZ], Left
		1	J, T		72	XJ	[AZ], Left
	RG73 1K5AA	1	B, U		74	XJ	[K5], Left
		1	J, T		74	XJ	[K5], Left
		1	J, T		72	XJ	[K5], Left
	RG72 1K5AA	1	J, T		74	XJ	[K5], Right
	RG72 1AZAA	1	J, T		72	XJ	[AZ], Right
		1	J, T		74	XJ	[AZ], Right
		1	B, U		74	XJ	[AZ], Right
7							CYLINDER, Headrest
	5013 152AA	1	B, U		74	DL	
		4	J, T		74	DL	
		4	J, T		72	XJ	
		4	J, T		74	XJ	
		4	B, U		74	XJ	

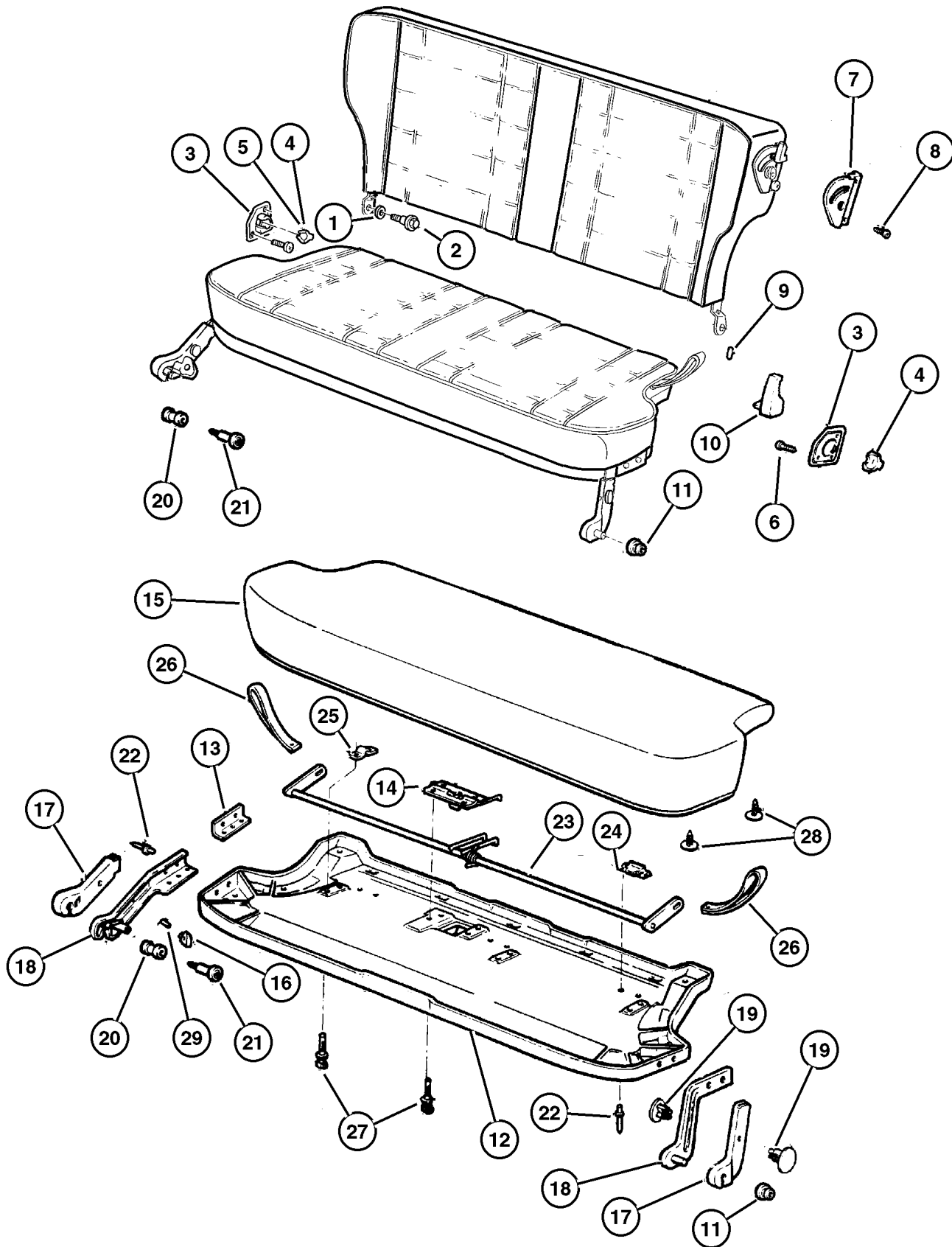
**JEEP CHEROKEE (XJ)**

SERIES	LINE	BODY	ENGINE	TRANSMISSION
P=Classic	J=LHD (4WD)	74=4 Dr.(101.4WB)	ENC,EN0=2.5L 4 cyl. Turbo Die	DDD, DDQ=5 spd. Man.
S=Limited	U=RHD (4WD)	72=2 Dr.(101.4WB)	ERH,ER0=4.0L Power Tech I-6	DGS=4 spd. Auto. AISIN
H=Sport	T=LHD (2WD)		EPE,EP0=Magnum 2.5L SMPI	DG0=All Auto/Trans.
L=SE	B=RHD (2WD)			DBB=All Manual Trans.

AR = Use as required - = Non illustrated part # = New this model year

April 5, 2002

Frame and Pad Rear Seat  
Figure IXJ-610



ITEM	PART NUMBER	QTY	LINE	SERIES	BODY	TRIM	DESCRIPTION
1	5500 5617	1					SPACER, Seat Back Pivot
2	6505 739AA	2					SCREW
3	55195 980AB	1					BRACKET, Seat Lock Striker Right
	55195 981AB	1					Left
4	5500 1212	1					BUMPER, Latch Striker
5	5500 1213	1					BUMPER, Seat Back
6	3420 2189	6	J, T				SCREW, Pan Head Torx, M5x0.8x30.00
		8	B, U				
7	5AC6 61AZ	1	J, T		74	B6	BEZEL, Seat Latch [AZ], Right
		1	B, U		74	B6	[AZ], Right
		1	J, T, U		72	B6	[AZ], Right
		1	J, T		74	DL	[AZ], Right
		1	B, U		74	DL	[AZ], Right
		1	J, T		74	M5	[AZ], Right
		1	B, U		74	M5	[AZ], Right
		1	J, T		72	M5	[AZ], Right
		1	J, T		72	XJ	[AZ], Right
		1	J, T		74	XJ	[AZ], Right
		1	B, U		74	XJ	[AZ], Right
		1	J, T		74	X5	[AZ], Right
		1	B, U		74	B6	[K5], Right
		1	J, T		74	B6	[K5], Right
		1	J, T, U		72	B6	[K5], Right
		1	J, T		74	DL	[K5], Right
		1	B, U		74	DL	[K5], Right
		1	J, T		74	M5	[K5], Right
		1	B, U		74	M5	[K5], Right
		1	J, T		72	M5	[K5], Right
		1	J, T		72	XJ	[K5], Right
		1	J, T		74	XJ	[K5], Right
		1	B, U		74	XJ	[K5], Right
		1	J, T		74	X5	[K5], Right
		1	J, T		74	B6	[AZ], Left
		1	J, T, U		72	B6	[AZ], Left
		1	B, U		74	B6	[AZ], Left
		1	J, T		74	DL	[AZ], Left
		1	B, U		74	DL	[AZ], Left
		1	J, T		72	M5	[AZ], Left
		1	J, T		74	M5	[AZ], Left

JEEP CHEROKEE (XJ)

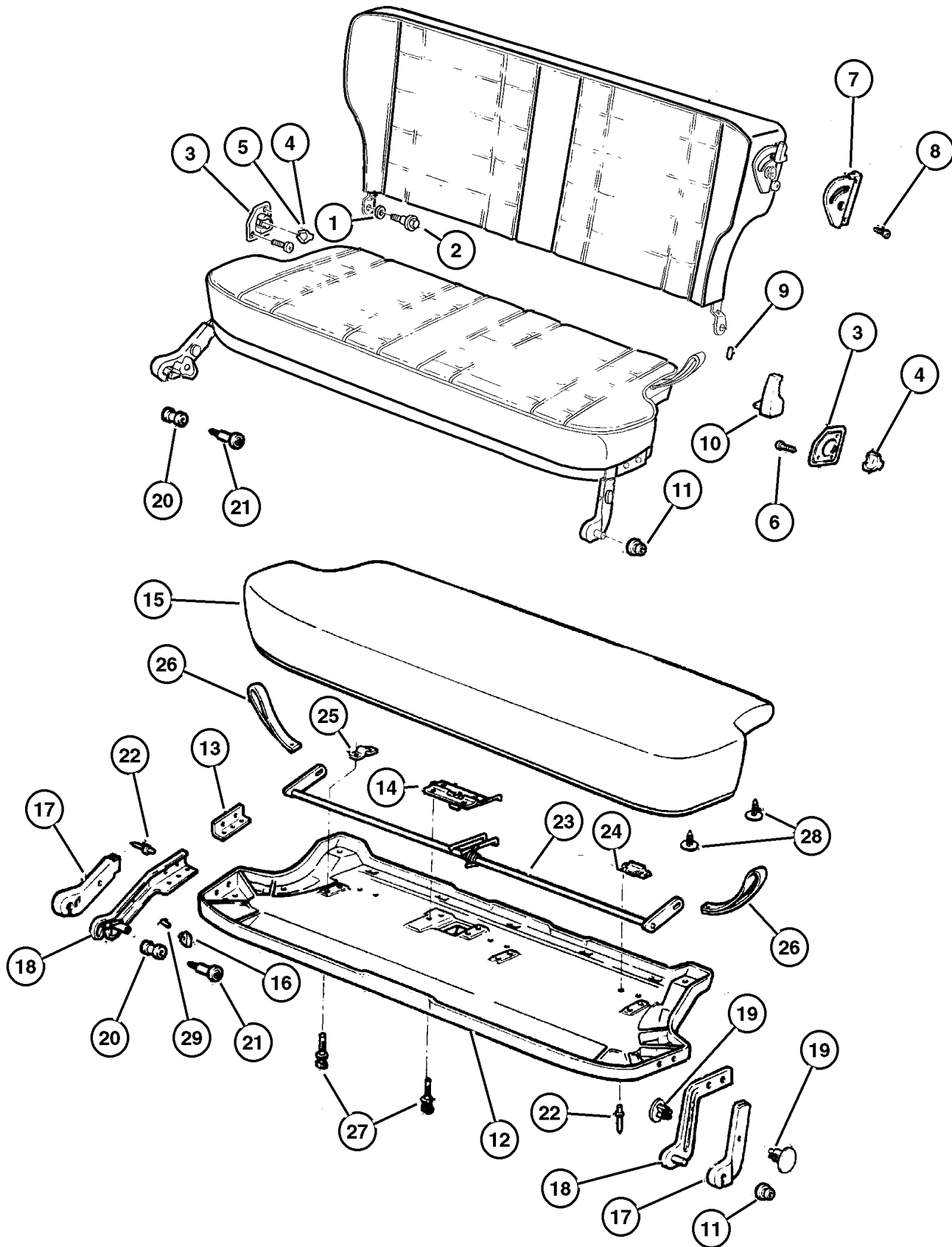
SERIES	LINE	BODY	ENGINE	TRANSMISSION
P=Classic	J=LHD (4WD)	74=4 Dr.(101.4WB)	ENC,EN0=2.5L 4 cyl. Turbo Die	DDD, DDQ=5 spd. Man.
S=Limited	U=RHD (4WD)	72=2 Dr.(101.4WB)	ERH,ER0=4.0L Power Tech I-6	DGS=4 spd. Auto. AISIN
H=Sport	T=LHD (2WD)		EPE,EP0=Magnum 2.5L SMPI	DG0=All Auto/Trans.
L=SE	B=RHD (2WD)			DBB=All Manual Trans.

AR = Use as required - = Non illustrated part # = New this model year

April 5, 2002



Frame and Pad Rear Seat  
Figure IXJ-610



ITEM	PART NUMBER	QTY	LINE	SERIES	BODY	TRIM	DESCRIPTION
		1	B, U		74	M5	[AZ], Left
		1	J, T		72	XJ	[AZ], Left
		1	J, T		74	XJ	[AZ], Left
		1	B, U		74	XJ	[AZ], Left
		1	J, T		74	X5	[AZ], Left
	5AC6 71K5	1	J, T		74	B6	[K5], Left
		1	B, U		74	B6	[K5], Left
		1	J, T, U		72	B6	[K5], Left
		1	J, T		74	DL	[K5], Left
		1	B, U		74	DL	[K5], Left
		1	J, T		72	M5	[K5], Left
		1	J, T		74	M5	[K5], Left
		1	B, U		74	M5	[K5], Left
		1	J, T		72	XJ	[K5], Left
		1	B, U		74	XJ	[K5], Left
		1	J, T		74	XJ	[K5], Left
		1	J, T		74	X5	[K5], Left
8							SCREW, Tapping Round Head, .164x18x1.232
	3420 1314	4	J, T, U		72		
		4			74		
9							SPRING, Pin
	J045 5735	1	J, T		74	B6	
		1	B, U		74	B6	
		1	J, T		74	DL	
		1	B, U		74	DL	
		1	J, T		72	M5	
		1	J, T		74	M5	
		1	B, U		74	M5	
		1	J, T		72	XJ	
		1	B, U		74	XJ	
		1	J, T		74	XJ	
		1	J, T		74	X5	
10							KNOB, Seat Back Latch
	QC04 1AZ	1	J, T		74	B6	[AZ], Right
		1	J, T, U		72	B6	[AZ], Right
		1	B, U		74	B6	[AZ], Right
		1	J, T		74	DL	[AZ], Right
		1	B, U		74	DL	[AZ], Right
		1	J, T		72	M5	[AZ], Right
		1	B, U		74	M5	[AZ], Right
		1	J, T		74	M5	[AZ], Right
		1	B, U		74	XJ	[AZ], Right

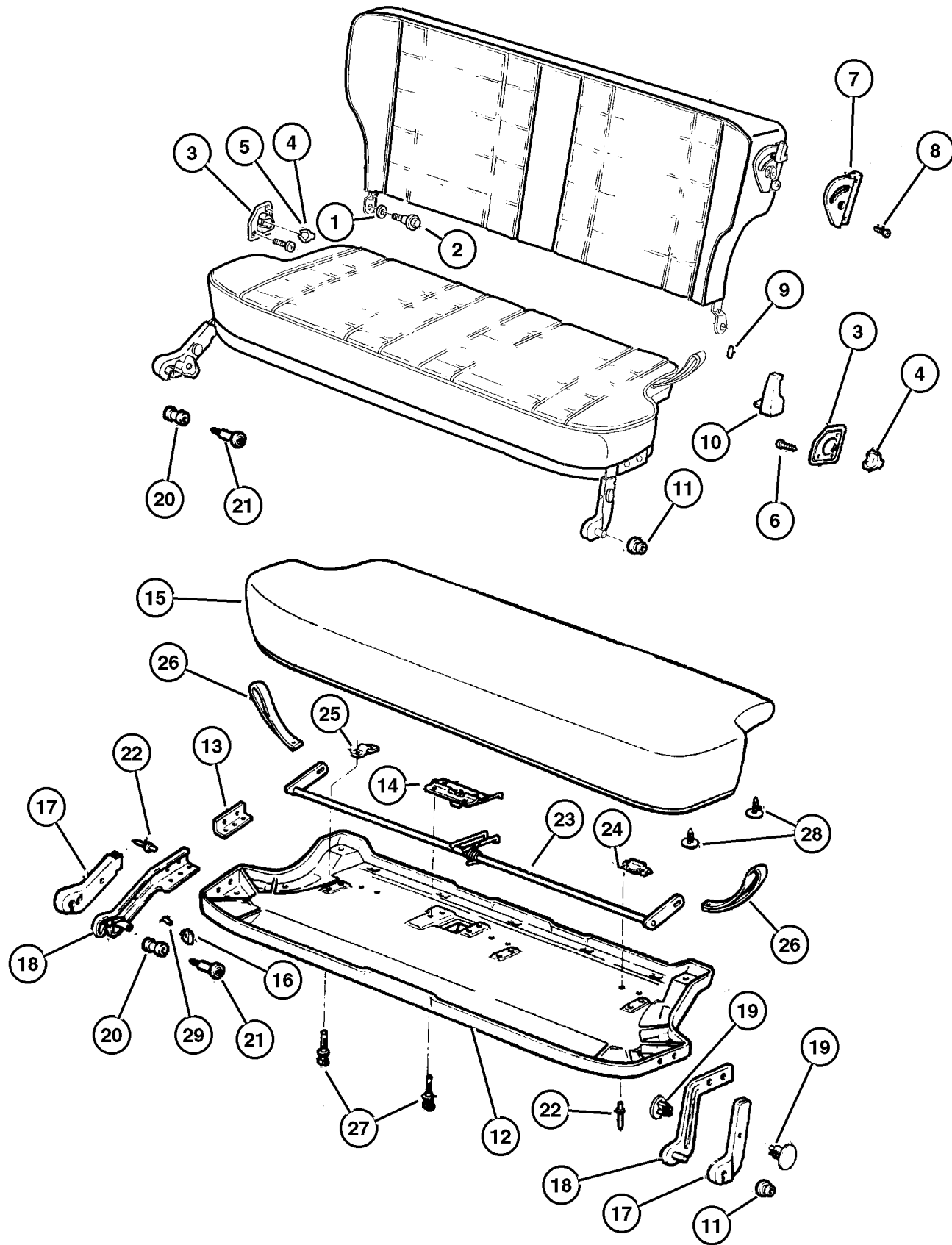
JEEP CHEROKEE (XJ)

SERIES	LINE	BODY	ENGINE	TRANSMISSION
P=Classic	J=LHD (4WD)	74=4 Dr.(101.4WB)	ENC,EN0=2.5L 4 cyl. Turbo Die	DDD, DDQ=5 spd. Man.
S=Limited	U=RHD (4WD)	72=2 Dr.(101.4WB)	ERH,ER0=4.0L Power Tech I-6	DGS=4 spd. Auto. AISIN
H=Sport	T=LHD (2WD)		EPE,EP0=Magnum 2.5L SMPI	DG0=All Auto/Trans.
L=SE	B=RHD (2WD)			DBB=All Manual Trans.

AR = Use as required - = Non illustrated part # = New this model year

April 5, 2002

Frame and Pad Rear Seat  
Figure IXJ-610



ITEM	PART NUMBER	QTY	LINE	SERIES	BODY	TRIM	DESCRIPTION
		1	J, T		74	XJ	[AZ], Right
		1	J, T		72	XJ	[AZ], Right
		1	J, T		74	X5	[AZ], Right
	QC04 1K5	1	J, T		74	B6	[K5], Right
		1	J, T, U		72	B6	[K5], Right
	QC04 1AZ	1	B, U		74	B6	[K5], Right
		1	B, U		74	DL	[K5], Right
	QC04 1K5	1	J, T		74	DL	[K5], Right
		1	J, T		72	M5	[K5], Right
		1	J, T		74	M5	[K5], Right
		1	B, U		74	M5	[K5], Right
		1	B, U		74	XJ	[K5], Right
		1	J, T		74	XJ	[K5], Right
		1	J, T		72	XJ	[K5], Right
		1	J, T		74	X5	[K5], Right
		1	J, T		74	X5	[K5], Right
	QC05 1AZ	1	J, T		74	B6	[AZ], Left
		1	J, T, U		72	B6	[AZ], Left
		1	B, U		74	B6	[AZ], Left
		1	B, U		74	DL	[AZ], Left
		1	J, T		74	DL	[AZ], Left
		1	J, T		72	M5	[AZ], Left
		1	J, T		74	M5	[AZ], Left
		1	B, U		74	M5	[AZ], Left
		1	B, U		74	XJ	[AZ], Left
		1	J, T		74	XJ	[AZ], Left
		1	J, T		72	XJ	[AZ], Left
		1	J, T		74	X5	[AZ], Left
		1	J, T		74	X5	[AZ], Left
	QC05 1K5	1	J, T		74	B6	[K5], Left
		1	J, T, U		72	B6	[K5], Left
		1	B, U		74	B6	[K5], Left
		1	J, T		74	DL	[K5], Left
		1	B, U		74	DL	[K5], Left
		1	J, T		72	M5	[K5], Left
		1	J, T		74	M5	[K5], Left
		1	B, U		74	M5	[K5], Left
		1	J, T		74	XJ	[K5], Left
		1	J, T		72	XJ	[K5], Left
		1	B, U		74	XJ	[K5], Left
		1	J, T		74	X5	[K5], Left
11	5500 1230	1					GROMMET, Rear Seat
12							PANEL, Seat Cushion
	#5015 244AA	1	J, T		74	B6	

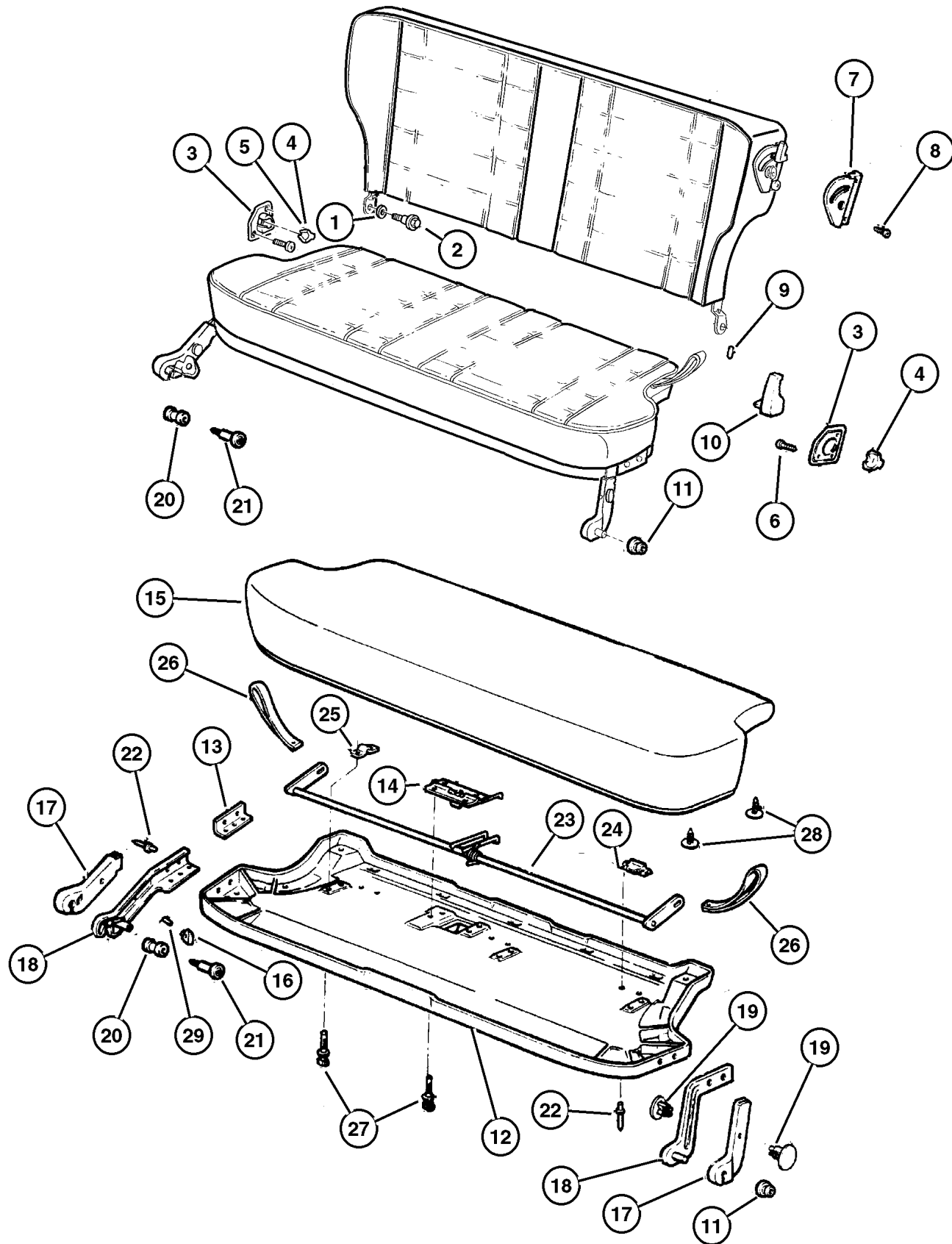
JEEP CHEROKEE (XJ)

SERIES	LINE	BODY	ENGINE	TRANSMISSION
P=Classic	J=LHD (4WD)	74=4 Dr.(101.4WB)	ENC,EN0=2.5L 4 cyl. Turbo Die	DDD, DDQ=5 spd. Man.
S=Limited	U=RHD (4WD)	72=2 Dr.(101.4WB)	ERH,ER0=4.0L Power Tech I-6	DGS=4 spd. Auto. AISIN
H=Sport	T=LHD (2WD)		EPE,EP0=Magnum 2.5L SMPI	DG0=All Auto/Trans.
L=SE	B=RHD (2WD)			DBB=All Manual Trans.

AR = Use as required - = Non illustrated part # = New this model year

April 5, 2002

Frame and Pad Rear Seat  
Figure IXJ-610



ITEM	PART NUMBER	QTY	LINE	SERIES	BODY	TRIM	DESCRIPTION
		1	J, T, U		72	B6	
		1	B, U		74	B6	
		1	J, T		74	DL	
		1	B, U		74	DL	
		1	J, T		72	M5	
		1	J, T		74	M5	
		1	B, U		74	M5	
		1	J, T		74	XJ	
		1	J, T		72	XJ	
		1	B, U		74	XJ	
		1	J, T		74	X5	
13							REINFORCEMENT, Seat Cushion Hinge
	5500 2833	1	J, T		74	B6	
		1	J, T, U		72	B6	
		1	B, U		74	B6	
		2	B, U		74	DL	
		1	J, T		74	DL	
		1	J, T		72	M5	
		1	J, T		74	M5	
		1	B, U		74	M5	
		1	J, T		74	XJ	
		2	J, T		72	XJ	
		1	B, U		74	XJ	
		1	J, T		74	X5	
14							LATCH, Seat
	5519 5372	1	J, T		74	B6	
		1	J, T, U		72	B6	
		1	B, U		74	B6	
		1	B, U		74	DL	
		1	J, T		74	DL	
		1	J, T		72	M5	
		1	J, T		74	M5	
		1	B, U		74	M5	
		1	J, T		72	XJ	
		1	J, T		74	XJ	
		1	B, U		74	XJ	
		1	J, T		74	X5	
15							PAD, Rear Seat Cushion
	#5015 225AA	1	J, T		74	B6	
		1	J, T, U		72	B6	
		1	B, U		74	B6	
		1	B, U		74	DL	

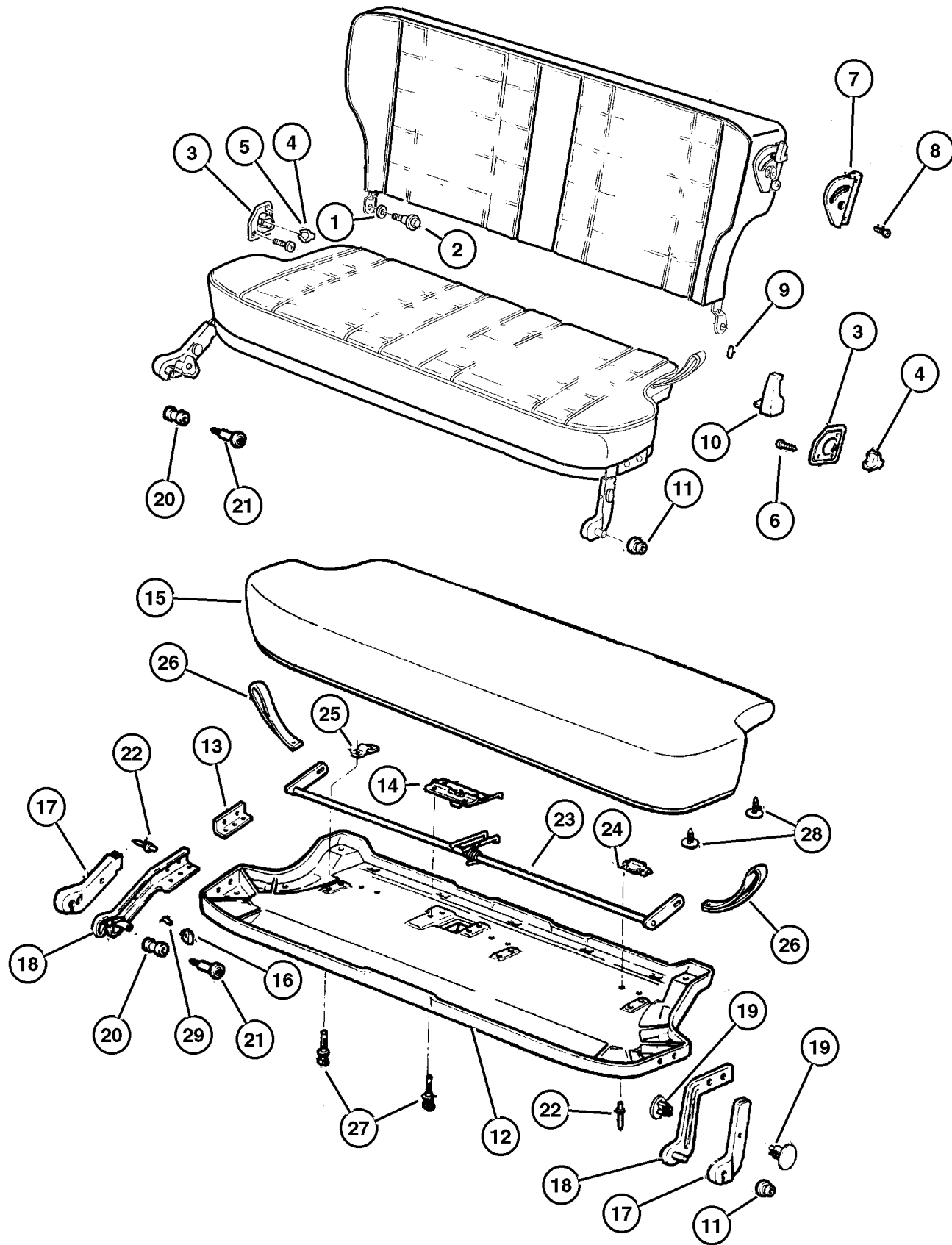
JEEP CHEROKEE (XJ)

SERIES	LINE	BODY	ENGINE	TRANSMISSION
P=Classic	J=LHD (4WD)	74=4 Dr.(101.4WB)	ENC,EN0=2.5L 4 cyl. Turbo Die	DDD, DDQ=5 spd. Man.
S=Limited	U=RHD (4WD)	72=2 Dr.(101.4WB)	ERH,ER0=4.0L Power Tech I-6	DGS=4 spd. Auto. AISIN
H=Sport	T=LHD (2WD)		EPE,EP0=Magnum 2.5L SMPI	DG0=All Auto/Trans.
L=SE	B=RHD (2WD)			DBB=All Manual Trans.

AR = Use as required - = Non illustrated part # = New this model year

April 5, 2002

Frame and Pad Rear Seat  
Figure IXJ-610



ITEM	PART NUMBER	QTY	LINE	SERIES	BODY	TRIM	DESCRIPTION
		1	J, T		74	DL	
		1	J, T		72	M5	
		1	B, U		74	M5	
		1	J, T		74	M5	
		1	J, T		74	XJ	
		1	J, T		72	XJ	
		1	B, U		74	XJ	
		1	J, T		74	X5	
16							KNOB, Seat Back Latch
	5AC6 81AZ	1	J, T		74	B6	[AZ]
		1	J, T, U		72	B6	[AZ]
		1	B, U		74	B6	[AZ]
		1	B, U		74	DL	[AZ]
		1	J, T		74	DL	[AZ]
		1	J, T		72	M5	[AZ]
		1	J, T		74	M5	[AZ]
		1	B, U		74	M5	[AZ]
		1	J, T		74	XJ	[AZ]
		1	J, T		72	XJ	[AZ]
		1	B, U		74	XJ	[AZ]
		1	J, T		74	X5	[AZ]
	5AC6 81K5	1	J, T		74	B6	[K5]
		1	J, T, U		72	B6	[K5]
		1	B, U		74	B6	[K5]
		2	J, T		74	DL	[K5]
		1	B, U		74	DL	[K5]
		1	J, T		72	M5	[K5]
		1	J, T		74	M5	[K5]
		1	B, U		74	M5	[K5]
		1	J, T		74	XJ	[K5]
		1	J, T		72	XJ	[K5]
		1	B, U		74	XJ	[K5]
		1	J, T		74	X5	[K5]
17							COVER, Rear Seat Hinge
	5AC4 61AZ	1	J, T		74	B6	[AZ], Right
		1	B, U		74	B6	[AZ], Right
		1	B, U		74	DL	[AZ], Right
		1	J, T		74	DL	[AZ], Right
		1	J, T		72	M5	[AZ], Right
		1	B, U		74	M5	[AZ], Right
		1	J, T		74	M5	[AZ], Right
		1	B, U		74	XJ	[AZ], Right

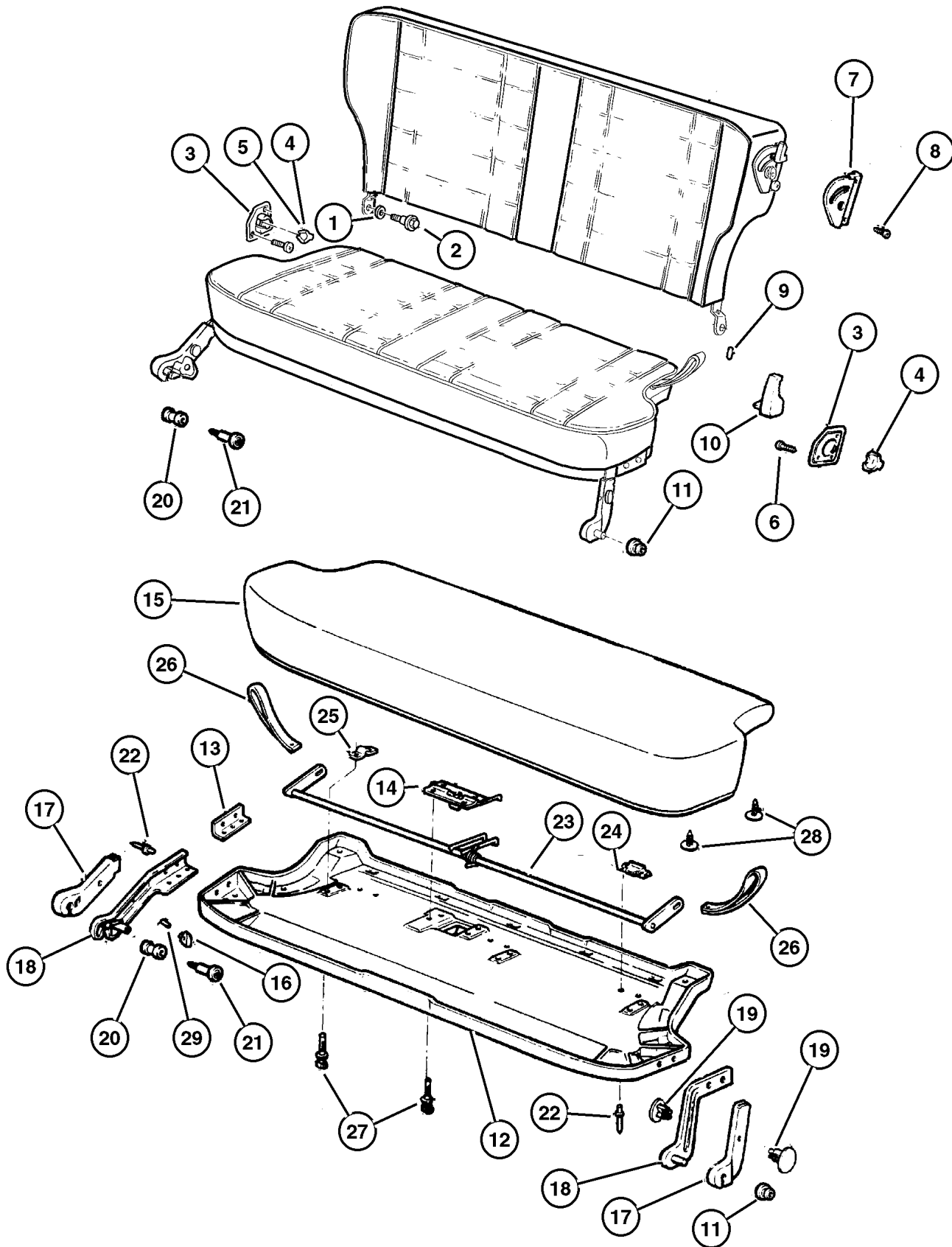
JEEP CHEROKEE (XJ)

SERIES	LINE	BODY	ENGINE	TRANSMISSION
P=Classic	J=LHD (4WD)	74=4 Dr.(101.4WB)	ENC,EN0=2.5L 4 cyl. Turbo Die	DDD, DDQ=5 spd. Man.
S=Limited	U=RHD (4WD)	72=2 Dr.(101.4WB)	ERH,ER0=4.0L Power Tech I-6	DGS=4 spd. Auto. AISIN
H=Sport	T=LHD (2WD)		EPE,EP0=Magnum 2.5L SMPI	DG0=All Auto/Trans.
L=SE	B=RHD (2WD)			DBB=All Manual Trans.

AR = Use as required - = Non illustrated part # = New this model year

April 5, 2002

Frame and Pad Rear Seat  
Figure IXJ-610



ITEM	PART NUMBER	QTY	LINE	SERIES	BODY	TRIM	DESCRIPTION
		1	J, T		74	XJ	[AZ], Right
		1	J, T		72	XJ	[AZ], Right
		1	J, T		74	X5	[AZ], Right
	5AC4 61K5	1	J, T		74	B6	[K5], Right
		1	B, U		74	B6	[K5], Right
		1	B, U		74	DL	[K5], Right
		1	J, T		74	DL	[K5], Right
		1	J, T		72	M5	[K5], Right
		1	J, T		74	M5	[K5], Right
		1	B, U		74	M5	[K5], Right
		1	J, T		74	XJ	[K5], Right
		1	B, U		74	XJ	[K5], Right
		1	J, T		72	XJ	[K5], Right
	5AC4 71AZ	1	J, T		74	X5	[K5], Right
		1	J, T		74	B6	[AZ], Left
		1	J, T, U		72	B6	[AZ], Left
		1	B, U		74	B6	[AZ], Left
		1	B, U		74	DL	[AZ], Left
		1	J, T		74	DL	[AZ], Left
		1	J, T		72	M5	[AZ], Left
		1	J, T		74	M5	[AZ], Left
		1	B, U		74	M5	[AZ], Left
		1	J, T		74	XJ	[AZ], Left
		1	J, T		72	XJ	[AZ], Left
		1	B, U		74	XJ	[AZ], Left
	5AC4 71K5	1	J, T		74	X5	[AZ], Left
		1	J, T		74	B6	[K5], Left
		1	J, T, U		72	B6	[K5], Left
		1	B, U		74	B6	[K5], Left
		1	B, U		74	DL	[K5], Left
		1	J, T		74	DL	[K5], Left
		1	J, T		72	M5	[K5], Left
		1	J, T		74	M5	[K5], Left
		1	B, U		74	M5	[K5], Left
		1	J, T		74	XJ	[K5], Left
		1	J, T		72	XJ	[K5], Left
		1	J, T		74	X5	[K5], Left
18		1	B, U		74	XJ	[K5], Left
	5500 1136	1	J, T		74	B6	Right
		1	J, T, U		72	B6	Right
		1	B, U		74	B6	Right

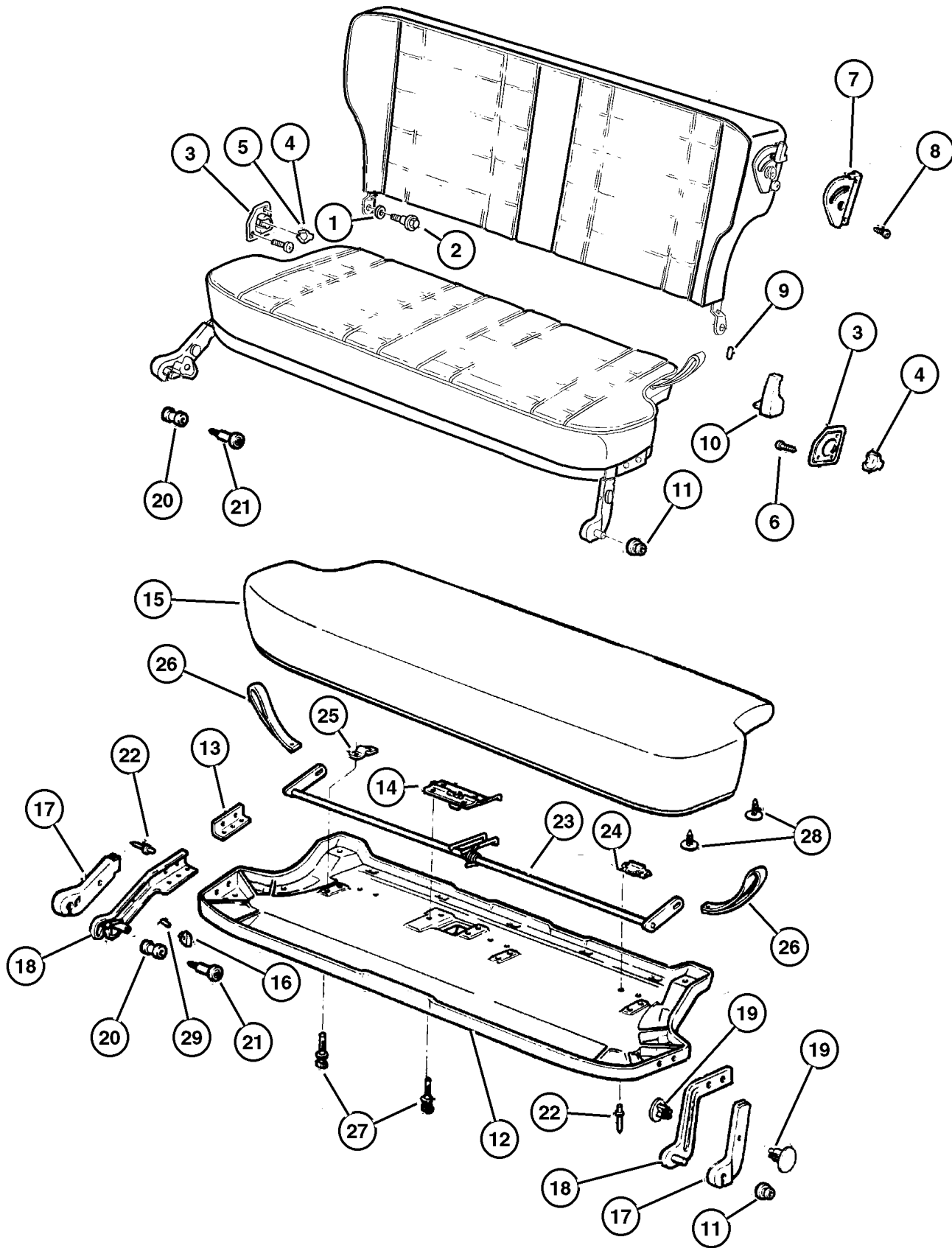
JEEP CHEROKEE (XJ)

SERIES	LINE	BODY	ENGINE	TRANSMISSION
P=Classic	J=LHD (4WD)	74=4 Dr.(101.4WB)	ENC,EN0=2.5L 4 cyl. Turbo Die	DDD, DDQ=5 spd. Man.
S=Limited	U=RHD (4WD)	72=2 Dr.(101.4WB)	ERH,ER0=4.0L Power Tech I-6	DGS=4 spd. Auto. AISIN
H=Sport	T=LHD (2WD)		EPE,EP0=Magnum 2.5L SMPI	DG0=All Auto/Trans.
L=SE	B=RHD (2WD)			DBB=All Manual Trans.

AR = Use as required - = Non illustrated part # = New this model year

April 5, 2002

Frame and Pad Rear Seat  
Figure IXJ-610



ITEM	PART NUMBER	QTY	LINE	SERIES	BODY	TRIM	DESCRIPTION
		1	J, T		74	DL	Right
		1	B, U		74	DL	Right
		1	J, T		72	M5	Right
		1	J, T		74	M5	Right
		1	B, U		74	M5	Right
		1	J, T		74	XJ	Right
		1	J, T		72	XJ	Right
		1	B, U		74	XJ	Right
		1	J, T		74	X5	Right
	5500 1137	1	J, T		74	B6	Left
		1	J, T, U		72	B6	Left
		1	B, U		74	B6	Left
		1	J, T		74	DL	Left
		1	B, U		74	DL	Left
		1	J, T		72	M5	Left
		1	J, T		74	M5	Left
		1	B, U		74	M5	Left
		1	B, U		74	XJ	Left
		1	J, T		74	XJ	Left
		1	J, T		72	XJ	Left
		1	J, T		74	X5	Left
19							RIVET, M8x12.40 Ratchet Type
	3420 1845	1	J, T		74	B6	
		1	J, T, U		72	B6	
		1	B, U		74	B6	
		4	J, T		74	DL	
		1	B, U		74	DL	
		1	J, T		72	M5	
		1	J, T		74	M5	
		1	B, U		74	M5	
		1	B, U		74	XJ	
		1	J, T		74	XJ	
		1	J, T		72	XJ	
		1	J, T		74	X5	
20	5500 2437	1					BUSHING, Seat Cushion
21	3420 1530	1					BOLT, Shoulder, M10x1.50x50.6
22							RIVET, M6.3x23.47
	3420 1557	1	J, T		74	B6	
		1	B, U		74	B6	
		1	J, T		74	DL	
		1	B, U		74	DL	
		1	J, T		72	M5	

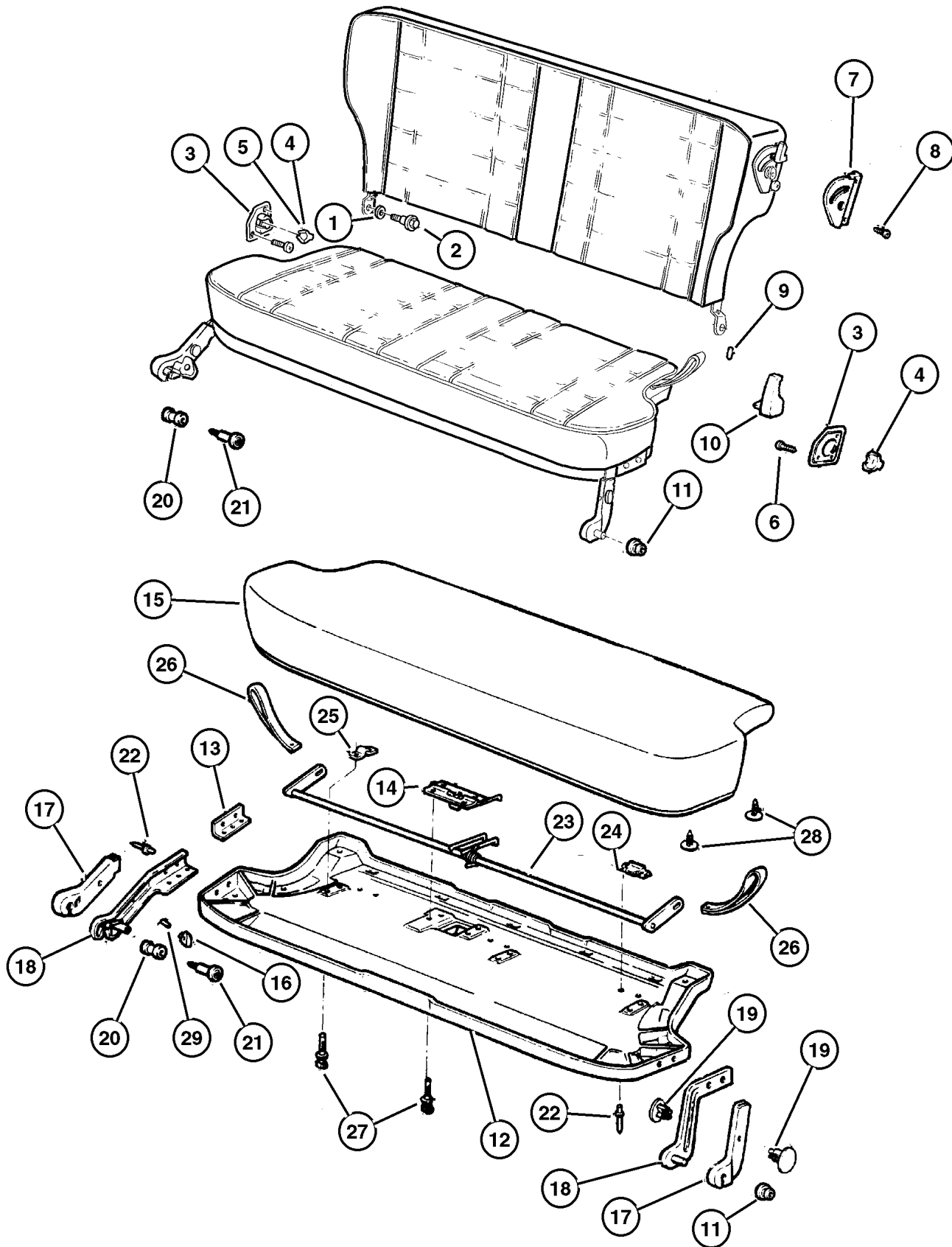
JEEP CHEROKEE (XJ)

SERIES	LINE	BODY	ENGINE	TRANSMISSION
P=Classic	J=LHD (4WD)	74=4 Dr.(101.4WB)	ENC,EN0=2.5L 4 cyl. Turbo Die	DDD, DDQ=5 spd. Man.
S=Limited	U=RHD (4WD)	72=2 Dr.(101.4WB)	ERH,ER0=4.0L Power Tech I-6	DGS=4 spd. Auto. AISIN
H=Sport	T=LHD (2WD)		EPE,EP0=Magnum 2.5L SMPI	DG0=All Auto/Trans.
L=SE	B=RHD (2WD)			DBB=All Manual Trans.

AR = Use as required - = Non illustrated part # = New this model year

April 5, 2002

Frame and Pad Rear Seat  
Figure IXJ-610



ITEM	PART NUMBER	QTY	LINE	SERIES	BODY	TRIM	DESCRIPTION
		1	J, T		74	M5	
		1	B, U		74	M5	
		1	J, T		74	XJ	
		1	B, U		74	XJ	
		1	J, T		72	XJ	
23		1	J, T		74	X5	
	5500 4302	1	J, T		74	B6	RELEASE, Seat Latch
		1	J, T, U		72	B6	
		1	B, U		74	B6	
		1	B, U		74	DL	
		1	J, T		74	DL	
		1	J, T		72	M5	
		1	B, U		74	M5	
		1	J, T		74	M5	
		1	B, U		74	XJ	
		1	J, T		74	XJ	
		1	J, T		72	XJ	
		1	J, T		74	X5	
24							BRACKET, Seat Cushion
	5519 5937	1	J, T		74	B6	
		1	J, T, U		72	B6	
		1	B, U		74	B6	
		1	J, T		74	DL	
		1	B, U		74	DL	
		1	J, T		72	M5	
		1	J, T		74	M5	
		1	B, U		74	M5	
		1	B, U		74	XJ	
		1	J, T		74	XJ	
		1	J, T		72	XJ	
		1	J, T		74	X5	
25							BRACKET, Seat Latch
	5500 4301	1	J, T		74	B6	
		1	B, U		74	B6	
		2	J, T		74	DL	
		1	B, U		74	DL	
		1	J, T		72	M5	
		1	J, T		74	M5	
		1	B, U		74	M5	
		1	J, T		72	XJ	
		1	J, T		74	XJ	

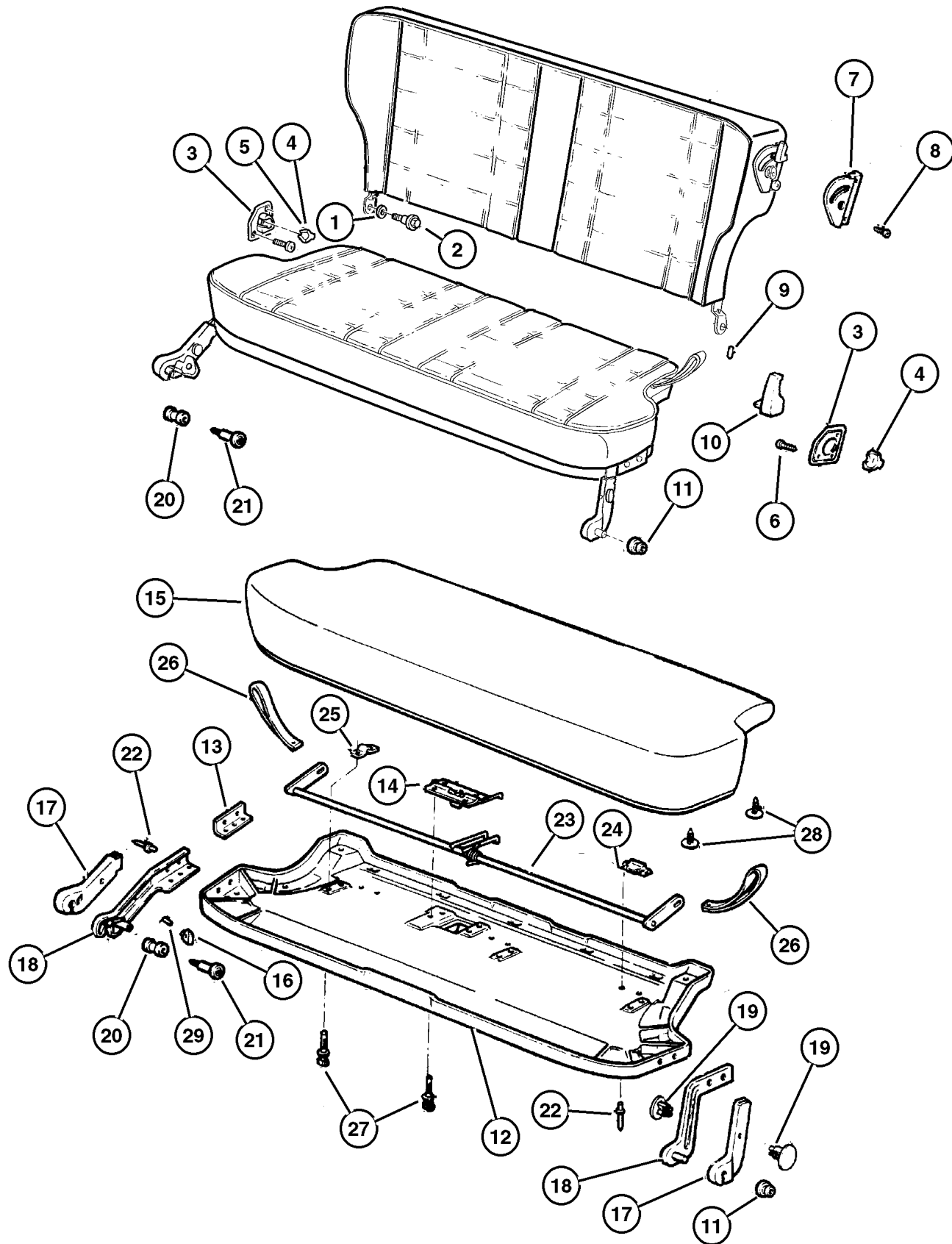
JEEP CHEROKEE (XJ)

SERIES	LINE	BODY	ENGINE	TRANSMISSION
P=Classic	J=LHD (4WD)	74=4 Dr.(101.4WB)	ENC,EN0=2.5L 4 cyl. Turbo Die	DDD, DDQ=5 spd. Man.
S=Limited	U=RHD (4WD)	72=2 Dr.(101.4WB)	ERH,ER0=4.0L Power Tech I-6	DGS=4 spd. Auto. AISIN
H=Sport	T=LHD (2WD)		EPE,EP0=Magnum 2.5L SMPI	DG0=All Auto/Trans.
L=SE	B=RHD (2WD)			DBB=All Manual Trans.

AR = Use as required - = Non illustrated part # = New this model year

April 5, 2002

Frame and Pad Rear Seat  
Figure IXJ-610



ITEM	PART NUMBER	QTY	LINE	SERIES	BODY	TRIM	DESCRIPTION
		1	B, U		74	XJ	
		1	J, T		74	X5	
26	5AJ4 71AZ	1	J, T		74	B6	[AZ] STRAP, Rear Seat Latch
		1	B, U		74	B6	[AZ]
		1	J, T, U		72	B6	[AZ]
		1	B, U		74	DL	[AZ]
		2	J, T		74	DL	[AZ]
		1	J, T		72	M5	[AZ]
		1	J, T		74	M5	[AZ]
		1	B, U		74	M5	[AZ]
		1	J, T		72	XJ	[AZ]
		1	J, T		74	XJ	[AZ]
	5AJ4 71K5	1	B, U		74	XJ	[AZ]
		1	J, T		74	X5	[AZ]
		1	J, T		74	B6	[K5]
		1	J, T, U		72	B6	[K5]
		1	B, U		74	B6	[K5]
		1	B, U		74	DL	[K5]
		2	J, T		74	DL	[K5]
		1	J, T		72	M5	[K5]
		1	J, T		74	M5	[K5]
		1	B, U		74	M5	[K5]
		1	J, T		74	XJ	[K5]
		1	J, T		72	XJ	[K5]
		1	B, U		74	XJ	[K5]
		1	J, T		74	X5	[K5]
27	3420 2078	1	J, T		74	B6	[K5] RIVET, Blind, M6.25x28
		1	J, T, U		72	B6	
		1	B, U		74	B6	
		1	B, U		74	DL	
		6	J, T		74	DL	
		1	J, T		72	M5	
		1	J, T		74	M5	
		1	B, U		74	M5	
		1	J, T		74	XJ	
		1	J, T		72	XJ	
		1	B, U		74	XJ	
		1	J, T		74	X5	
28	5AA3 41AZ	1	J, T		74	B6	[AZ] FASTENER, .193 Hole

JEEP CHEROKEE (XJ)  
 SERIES LINE BODY ENGINE TRANSMISSION  
 P=Classic J=LHD (4WD) 74=4 Dr.(101.4WB) ENC,EN0=2.5L 4 cyl. Turbo Die DDD, DDQ=5 spd. Man.  
 S=Limited U=RHD (4WD) 72=2 Dr.(101.4WB) ERH,ER0=4.0L Power Tech I-6 DGS=4 spd. Auto. AISIN  
 H=Sport T=LHD (2WD) EPE,EP0=Magnum 2.5L SMPI DG0=All Auto/Trans.  
 L=SE B=RHD (2WD) DBB=All Manual Trans.

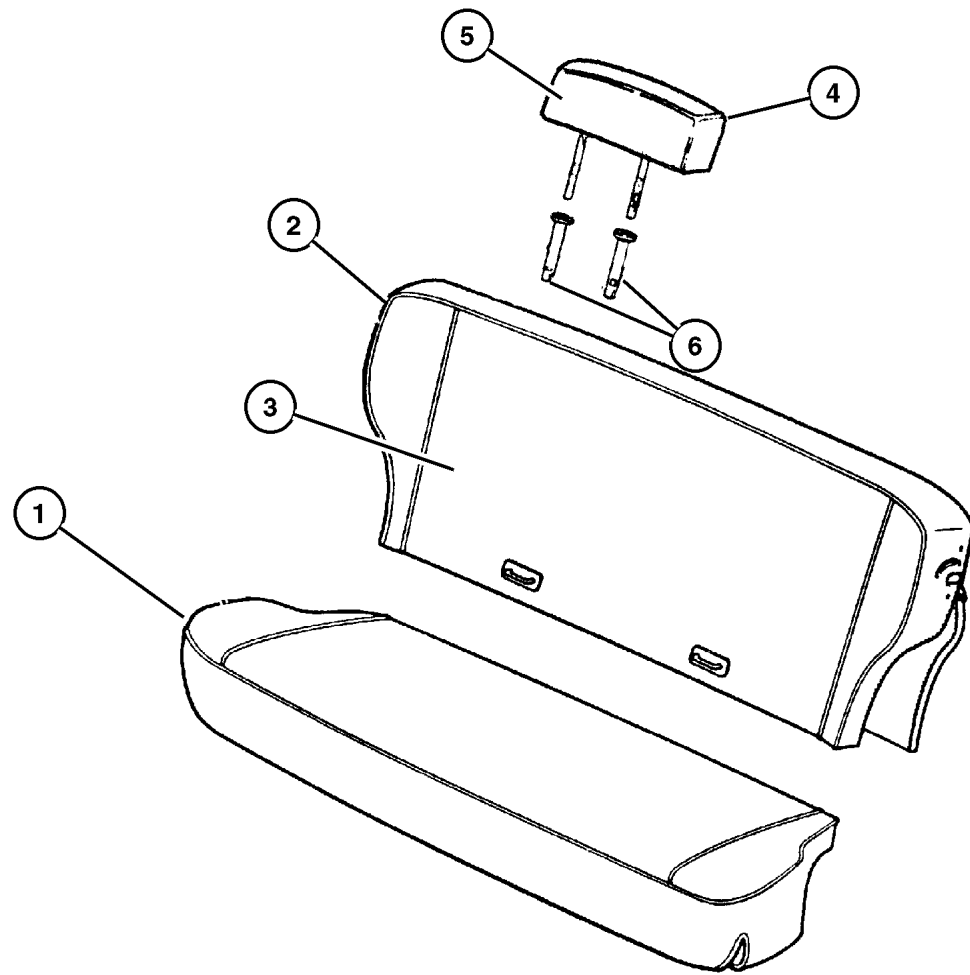
AR = Use as required - = Non illustrated part # = New this model year

April 5, 2002





**Covers, Seat Upholstery Rear Seat  
Figure IXJ-620**



ITEM	PART NUMBER	QTY	LINE	SERIES	BODY	TRIM	DESCRIPTION
1							COVER, Rear Seat Cushion
	#TD74 1AZAA	1	J, T, U		72	B6	[AZ]
		1	J, T		74	B6	[AZ]
		1	B, U		74	B6	[AZ]
	#TD74 1K5AA	1	J, T, U		72	B6	[K5]
		1	J, T		74	B6	[K5]
		1	B, U		74	B6	[K5]
	#TD75 1AZAA	1	J, T		74	DL	[AZ]
		1	B, U		74	DL	[AZ]
	#TD75 1K5AA	1	J, T		74	DL	[K5]
		1	B, U		74	DL	[K5]
	#TD76 1AZAA	1	J, T		72	M5	[AZ]
		1	J, T		74	M5	[AZ]
		1	B, U		74	M5	[AZ]
	#TD76 1K5AA	1	J, T		72	M5	[K5]
		1	J, T		74	M5	[K5]
		1	B, U		74	M5	[K5]
	#TD77 1AZAA	1	J, T		72	XJ	[AZ]
		1	J, T		74	XJ	[AZ]
		1	B, U		74	XJ	[AZ]
	#TD77 1K5AA	1	J, T		72	XJ	[K5]
		1	J, T		74	XJ	[K5]
		1	B, U		74	XJ	[K5]
	#TD74 1AZAA	1	J, T		74	X5	[AZ]
2							SEAT BACK, Rear
	#TD62 1AZAA	1	J, T, U		72	B6	[AZ]
		1	J, T		74	B6	[AZ]
		1	B, U		74	B6	[AZ]
	#TD62 1K5AA	1	J, T, U		72	B6	[K5]
		1	J, T		74	B6	[K5]
		1	B, U		74	B6	[K5]
	#TD64 1AZAA	1	J, T		74	DL	[AZ]
	#TD64 1K5AA	1	J, T		74	DL	[K5]
	TN34 1AZAA	1	J, T		74	DL	[AZ], Export
		1	B, U		74	DL	[AZ], Export
	TN34 1K5AA	1	J, T		74	DL	[K5], Export
		1	B, U		74	DL	[K5], Export
	#TD68 1AZAA	1	J, T		72	M5	[AZ]
		1	J, T		74	M5	[AZ]
		1	B, U		74	M5	[AZ]
	#TD68 1K5AA	1	J, T		72	M5	[K5]
		1	J, T		74	M5	[K5]

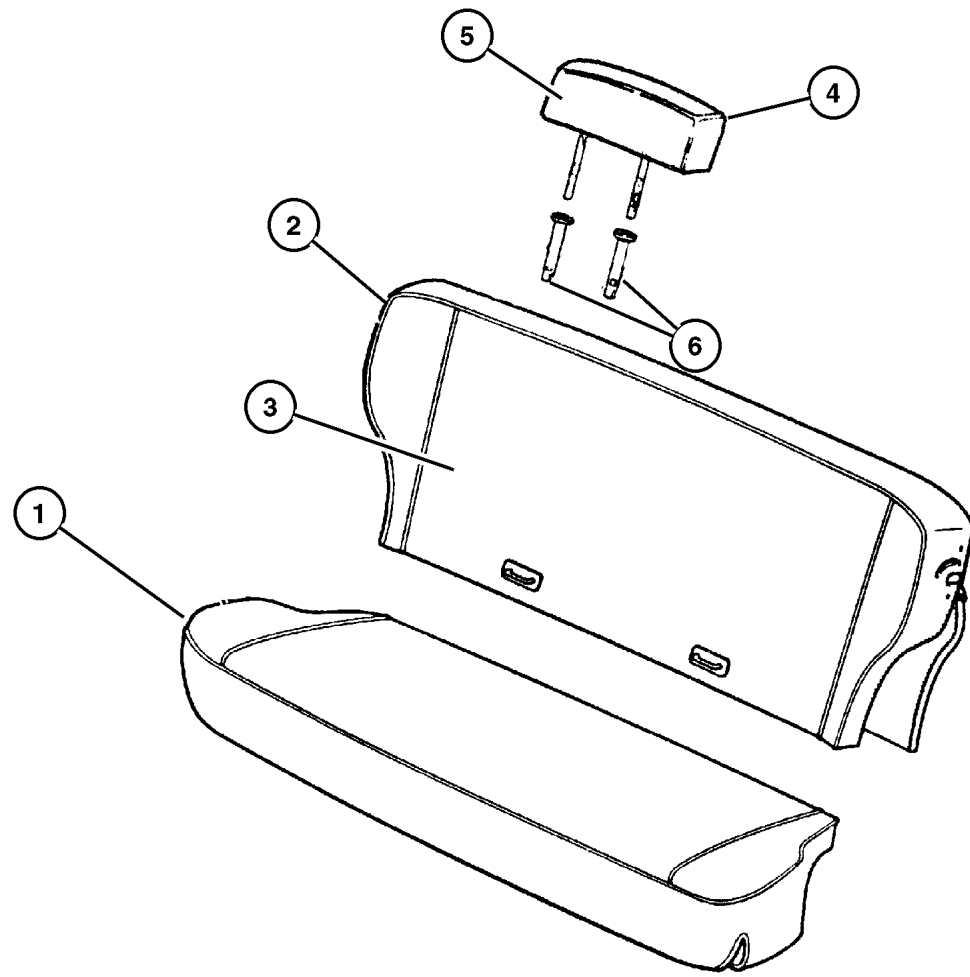
**JEEP CHEROKEE (XJ)**

SERIES	LINE	BODY	ENGINE	TRANSMISSION
P=Classic	J=LHD (4WD)	74=4 Dr.(101.4WB)	ENC,EN0=2.5L 4 cyl. Turbo Die	DDD, DDQ=5 spd. Man.
S=Limited	U=RHD (4WD)	72=2 Dr.(101.4WB)	ERH,ER0=4.0L Power Tech I-6	DGS=4 spd. Auto. AISIN
H=Sport	T=LHD (2WD)		EPE,EP0=Magnum 2.5L SMPI	DG0=All Auto/Trans.
L=SE	B=RHD (2WD)			DBB=All Manual Trans.

AR = Use as required - = Non illustrated part # = New this model year

April 5, 2002

**Covers, Seat Upholstery Rear Seat  
Figure IXJ-620**



ITEM	PART NUMBER	QTY	LINE	SERIES	BODY	TRIM	DESCRIPTION
		1	B, U		74	M5	[K5]
	#TD70 1AZAA	1	J, T		74	XJ	[AZ]
	#TD70 1K5AA	1	J, T		74	XJ	[K5]
	TN35 1AZAA	1	J, T		72	XJ	[AZ], Export
		1	J, T		74	XJ	[AZ], Export
		1	B, U		74	XJ	[AZ], Export
	TN35 1K5AA	1	J, T		72	XJ	[K5], Export
		1	J, T		74	XJ	[K5], Export
		1	B, U		74	XJ	[K5], Export
	#TD62 1AZAA	1	J, T		74	X5	[AZ]
	#TD62 1K5AA	1	J, T		74	X5	[K5]
3							COVER, Rear Seat Back
	#TD63 1AZAA	1	J, T, U		72	B6	[AZ]
		1	J, T		74	B6	[AZ]
		1	B, U		74	B6	[AZ]
	#TD63 1K5AA	1	J, T, U		72	B6	[K5]
		1	J, T		74	B6	[K5]
		1	B, U		74	B6	[K5]
	#TD65 1AZAA	1	J, T		74	DL	[AZ]
	#TD65 1K5AA	1	J, T		74	DL	[K5]
	#TD67 1AZAA	1	J, T		74	DL	[AZ], Export
		1	B, U		74	DL	[AZ], Export
	#TD67 1K5AA	1	J, T		74	DL	[K5], Export
		1	B, U		74	DL	[K5], Export
	#TD69 1AZAA	1	J, T		72	M5	[AZ]
		1	J, T		74	M5	[AZ]
		1	B, U		74	M5	[AZ]
	#TD69 1K5AA	1	J, T		72	M5	[K5]
		1	J, T		74	M5	[K5]
		1	B, U		74	M5	[K5]
	#TD71 1AZAA	1	J, T		74	XJ	[AZ]
	#TD71 1K5AA	1	J, T		74	XJ	[K5]
	#TD73 1AZAA	1	J, T		72	XJ	[AZ], Export
		1	J, T		74	XJ	[AZ], Export
		1	B, U		74	XJ	[AZ], Export
	#TD73 1K5AA	1	J, T		72	XJ	[K5], Export
		1	J, T		74	XJ	[K5], Export
		1	B, U		74	XJ	[K5], Export
	#TD63 1AZAA	1	J, T		74	X5	[AZ]
	#TD63 1K5AA	1	J, T		74	X5	[K5]
4							HEADREST, Rear
	QW19 1AZAA	1	J, T		74	DL	[AZ], Export

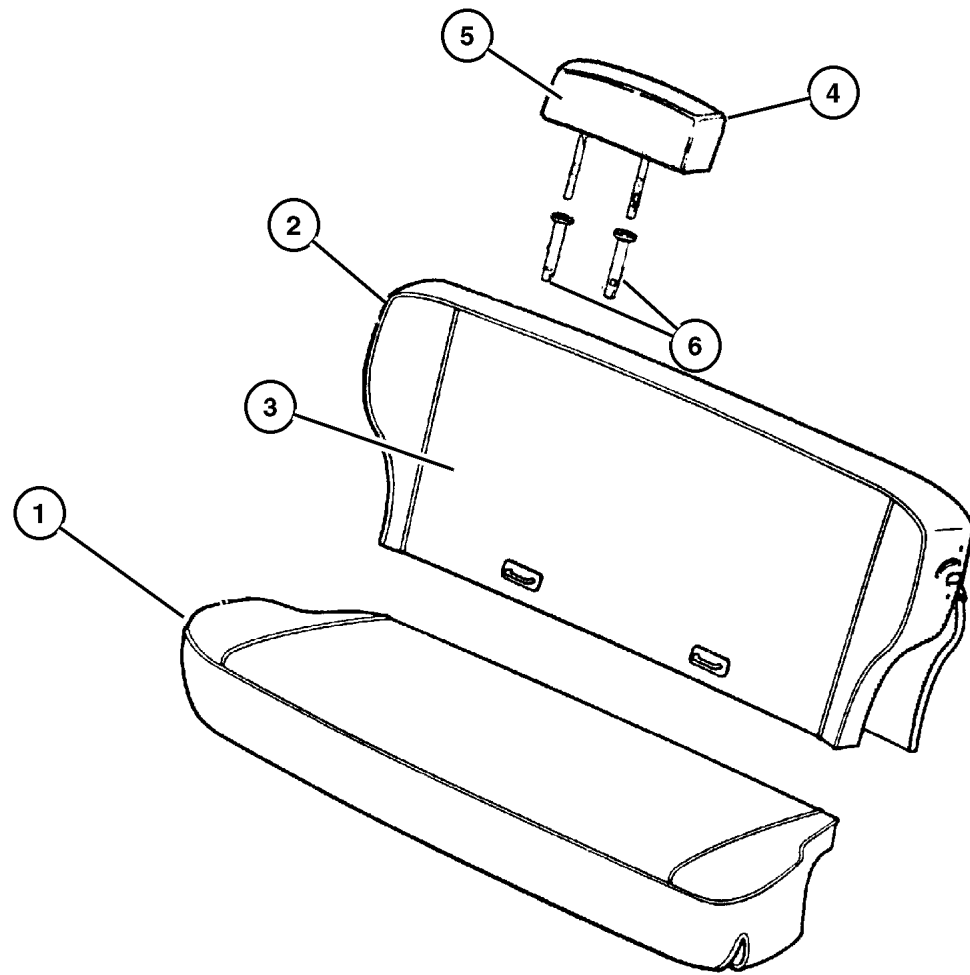
**JEEP CHEROKEE (XJ)**

SERIES	LINE	BODY	ENGINE	TRANSMISSION
P=Classic	J=LHD (4WD)	74=4 Dr.(101.4WB)	ENC,EN0=2.5L 4 cyl. Turbo Die	DDD, DDQ=5 spd. Man.
S=Limited	U=RHD (4WD)	72=2 Dr.(101.4WB)	ERH,ER0=4.0L Power Tech I-6	DGS=4 spd. Auto. AISIN
H=Sport	T=LHD (2WD)		EPE,EP0=Magnum 2.5L SMPI	DG0=All Auto/Trans.
L=SE	B=RHD (2WD)			DBB=All Manual Trans.

AR = Use as required - = Non illustrated part # = New this model year

April 5, 2002

**Covers, Seat Upholstery Rear Seat  
Figure IXJ-620**



ITEM	PART NUMBER	QTY	LINE	SERIES	BODY	TRIM	DESCRIPTION
		1	B, U		74	DL	[AZ], Export
	QW19 1K5AA	1	J, T		74	DL	[K5], Export
	#TV69 1AZAA	1	B, U		74	DL	[K5], Export
		2	B, U		74	DL	[AZ]
		2	J, T		74	DL	[AZ]
	#TV69 1K5AA	2	B, U		74	DL	[K5]
		2	J, T		74	DL	[K5]
	#TV71 1AZAA	2	J, T		72	XJ	[AZ]
		2	B, U		74	XJ	[AZ]
	#TV71 1K5AA	2	J, T		74	XJ	[AZ]
		2	J, T		72	XJ	[K5]
		2	J, T		74	XJ	[K5]
		2	B, U		74	XJ	[K5]
5							COVER, Seat Headrest
	QW20 1AZAA	2	J, T		74	DL	[AZ]
		2	B, U		74	DL	[AZ]
	QW20 1K5AA	2	B, U		74	DL	[K5]
		2	J, T		74	DL	[K5]
	QW65 1AZAA	2	J, T		72	XJ	[AZ]
		2	J, T		74	XJ	[AZ]
		2	B, U		74	XJ	[AZ]
	QW65 1K5AA	1	B, U		74	XJ	[K5]
		1	J, T		74	XJ	[K5]
		2	J, T		72	XJ	[K5]
	#TV70 1AZAA	2	B, U		74	DL	[AZ], Export
		2	J, T		74	DL	[AZ], Export
	#TV70 1K5AA	2	B, U		74	DL	[K5], Export
		2	J, T		74	DL	[K5], Export
	#TV72 1AZAA	2	B, U		74	XJ	[AZ], Export
		2	J, T		72	XJ	[AZ], Export
		2	J, T		74	XJ	[AZ], Export
	#TV72 1K5AA	2	B, U		74	XJ	[K5], Export
		2	J, T		72	XJ	[K5], Export
		2	J, T		74	XJ	[K5], Export
		2	J, T		74	XJ	[K5], Export
6							CYLINDER, Headrest
	5016 551AA	4	B, U		74	DL	
		4	J, T		74	DL	
		4	J, T		72	XJ	
		4	J, T		74	XJ	
		4	B, U		74	XJ	
-7	#55315 034AA	1					TETHER, Child Seat

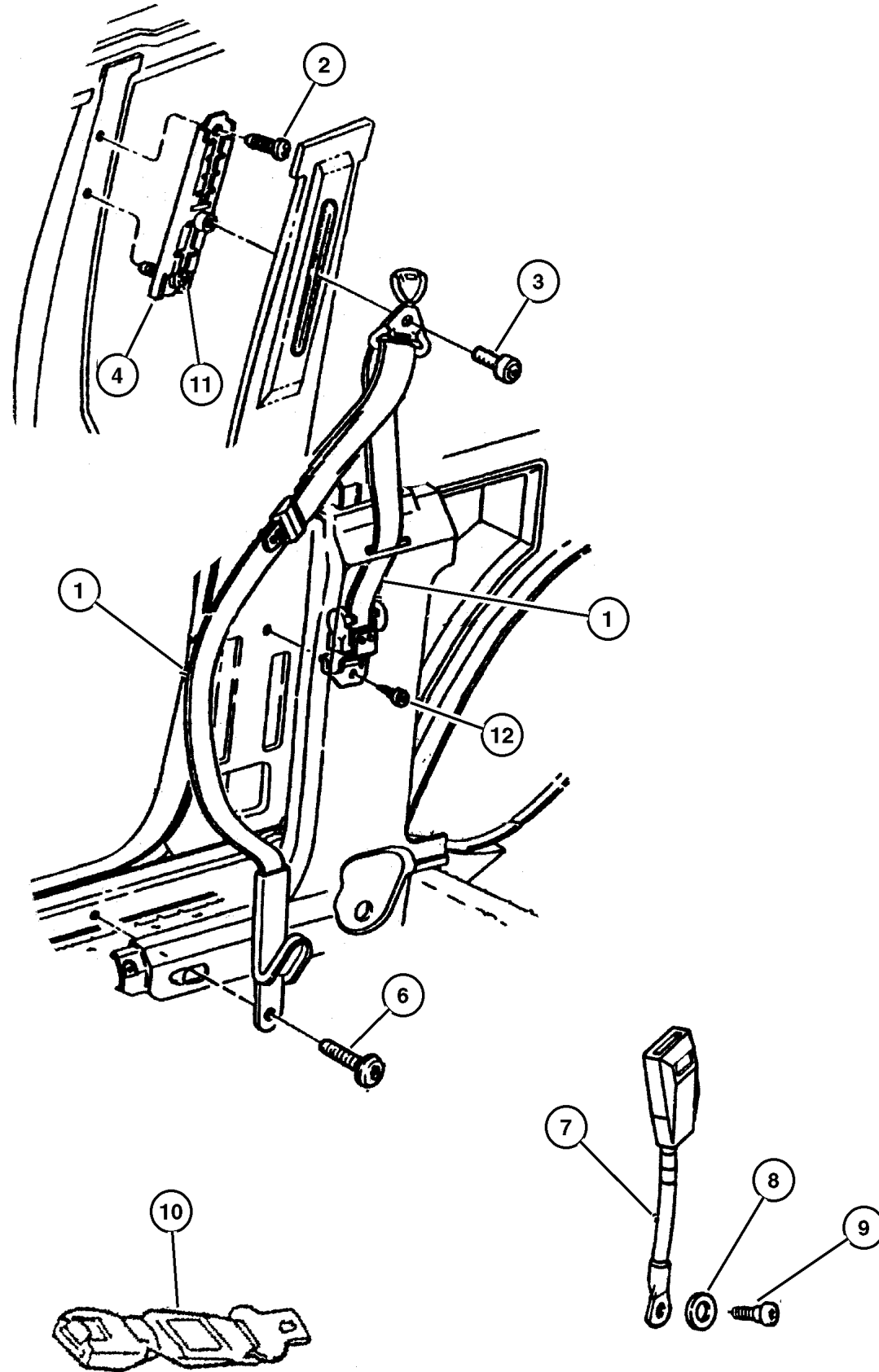
**JEEP CHEROKEE (XJ)**

SERIES	LINE	BODY	ENGINE	TRANSMISSION
P=Classic	J=LHD (4WD)	74=4 Dr.(101.4WB)	ENC,EN0=2.5L 4 cyl. Turbo Die	DDD, DDQ=5 spd. Man.
S=Limited	U=RHD (4WD)	72=2 Dr.(101.4WB)	ERH,ER0=4.0L Power Tech I-6	DGS=4 spd. Auto. AISIN
H=Sport	T=LHD (2WD)		EPE,EP0=Magnum 2.5L SMP1	DG0=All Auto/Trans.
L=SE	B=RHD (2WD)			DBB=All Manual Trans.

AR = Use as required - = Non illustrated part # = New this model year

April 5, 2002

Seat Belts, Front Seat 2 Door 2 Door  
Figure IXJ-710



ITEM	PART NUMBER	QTY	LINE	SERIES	BODY	TRIM	DESCRIPTION
1							SEAT BELT, Front Outer
	5EZ14 LAZAE	1	J, T, U		72		Right
	5EZ15 LAZAE	1	J, T, U		72		Left
	5GG66 LAZAB	2	J, U		72		Export
2	#6036 295AA	2					SCREW, Pan Head
3	6036 095AA	2	J, T, U		72		SCREW, Pan Head
4	55314 697AC	2					ADJUSTER, Seat Belt Turning Loop
-5	55352 693AA	2	J, T, U		72		SPACER
6	6036 294AA	1					BOLT, Shoulder
7							SEAT BELT, Front Inner
	5EE5 2LAZ	1	J, T		72	XJ	Right
		1	J, T		72	M5	Right
		1	J, T, U		72	B6	Right
	5EE5 3LAZ	1	J, T		72	M5	Left
		1	J, T, U		72	B6	Left
	5GA13 1AZAA	1	J, T		72	XJ	Left
8							WASHER, Seat Belt Attaching
	4798 898	1	J, T		72	XJ	
		1	J, T		72	M5	
9							SCREW, Button Head, .375-24x.62
	6035 115	2	J, T		72	M5	
		2	J, T, U		72	B6	
		1	J, T		72	XJ	
10	4740 415	1					EXTENDER, Seat Belt
11	6502 985	2					SCREW, Hex Head, M10x1.5x30
12	6034 384	2					SCREW, Pan Head, .437-20x1.15

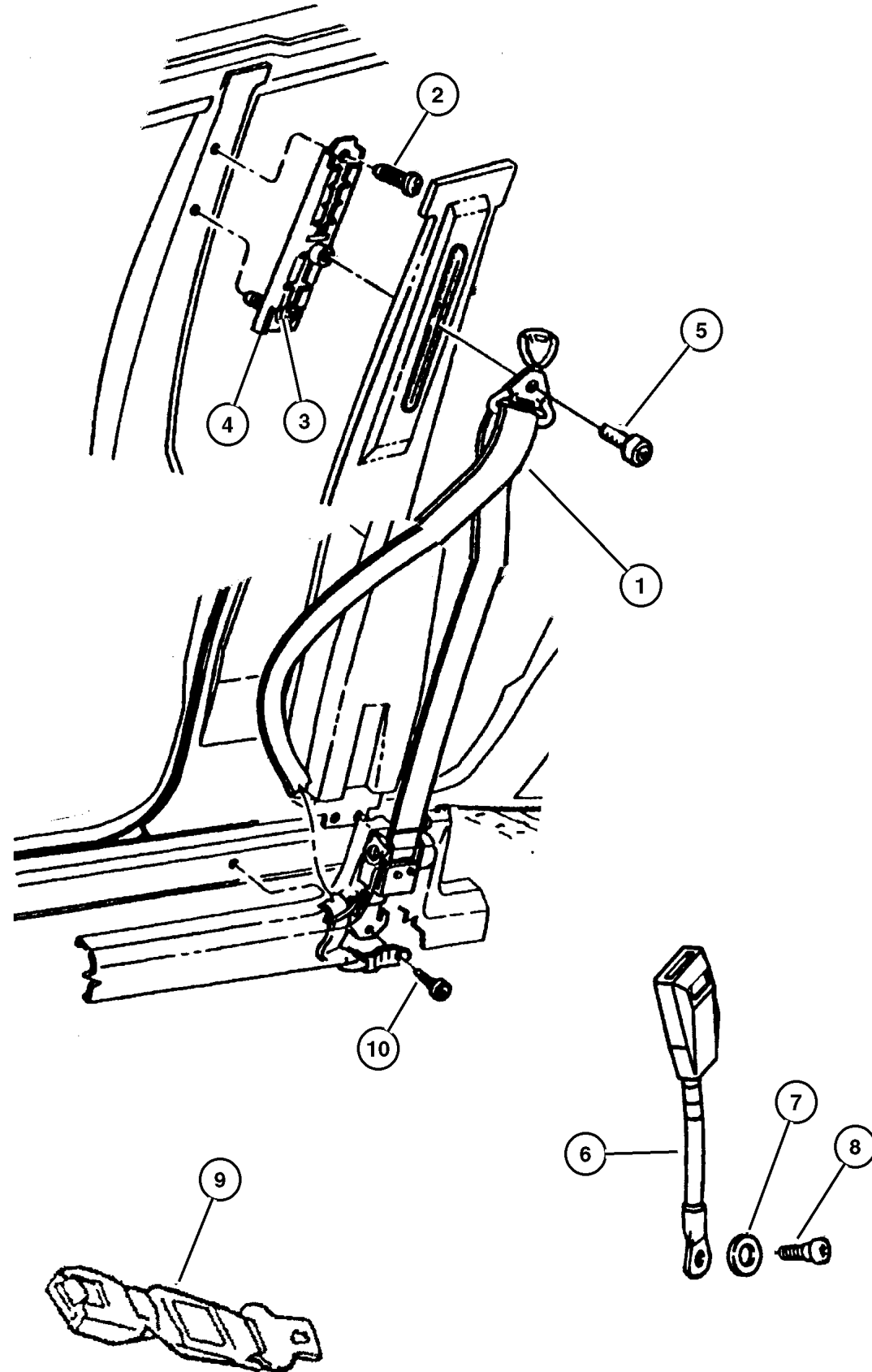
JEEP CHEROKEE (XJ)

SERIES	LINE	BODY	ENGINE	TRANSMISSION
P=Classic	J=LHD (4WD)	74=4 Dr.(101.4WB)	ENC,EN0=2.5L 4 cyl. Turbo Die	DDD, DDQ=5 spd. Man.
S=Limited	U=RHD (4WD)	72=2 Dr.(101.4WB)	ERH,ER0=4.0L Power Tech I-6	DGS=4 spd. Auto. AISIN
H=Sport	T=LHD (2WD)		EPE,EP0=Magnum 2.5L SMPI	DG0=All Auto/Trans.
L=SE	B=RHD (2WD)			DBB=All Manual Trans.

AR = Use as required - = Non illustrated part # = New this model year

April 5, 2002

Seat Belts, Front Seat 4 Door 4 Door  
Figure IXJ-720



ITEM	PART NUMBER	QTY	LINE	SERIES	BODY	TRIM	DESCRIPTION
1							SEAT BELT, Front Outer
	5FM30 LAZAF	1			74		Right
	5FM31 LAZAF	1			74		Left
	5GG68 LAZAC	1	J, U		74		Right,Export
	5GG69 LAZAC	1	J, U		74		Left,Export
2	#6036 295AA	2					SCREW, Pan Head
3	#6506 393AA	2					SCREW, Hex Head, M10x1.5x30
4	55314 697AC	2					ADJUSTER, Seat Belt Turning Loop
5							SCREW, Pan Head, .437-20x1.375, (NOT REQUIRED)
6							SEAT BELT, Front Inner
	5EE5 2LAZ	1	J, T		74	B6	Manual Seats, Right
	5EE5 3LAZ	1	J, T		74	B6	Manual Seats, Left
	5EE5 2LAZ	1	J, T		74	DL	Manual Seats, Right
	5FS2 4LAZ	1	J, T		74	DL	Power Seats, Right
	5FS2 5LAZ	1	J, T		74	DL	Power Seats, Left
	5GH59 1AZAA	1	B, U		74	DL	Power Seats, Left,Export
		1	J, T		74	DL	Power Seats, Left,Export
	5GH60 1AZAA	1	B, U		74	DL	Power Seats, Right,Export
	5EE5 2LAZ	1	J, T		74	M5	Manual Seats, Right
	5EE5 3LAZ	1	J, T		74	M5	Manual Seats, Left
	5FS2 5LAZ	1	J, T		74	M5	Power Seats, Left
	5GA12 1AZAA	1	B, U		74	M5	Manual Seats, Right
	5EE5 2LAZ	1	J, T		74	XJ	Manual Seats, Right
	5FS2 4LAZ	1	J, T		74	XJ	Power Seats, Right
	5GA12 1AZAA	1	B, U		74	XJ	Manual Seats, Right
	5GH60 1AZAA	1	B, U		74	XJ	Power Seats, Right
	5EE5 3LAZ	1	J, T		74	XJ	Manual Seats, Left
	5GA13 1AZAA	1	B, U		74	XJ	Manual Seats, Left
	5FS2 5LAZ	1	J, T		74	XJ	Power Seats, Left
	5GA13 1AZAA	1	J, T		74	XJ	Manual Seats, Left,Export
	5GH59 1AZAA	1	B, U		74	XJ	Power Seats, Left,Export
		1	J, T		74	XJ	Power Seats, Left,Export
	5EE5 3LAZ	1	J, T		74	X5	Manual Seats, Right
	5EE5 2LAZ	1	J, T		74	X5	Manual Seats, Left
7							WASHER, Seat Belt Attaching
	4798 898	1	J, T		74	B6	
		1	B, U		74	B6	
		1	J, T		74	DL	
		1	B, U		74	DL	
		1	B, U		74	M5	
		1	J, T		74	M5	

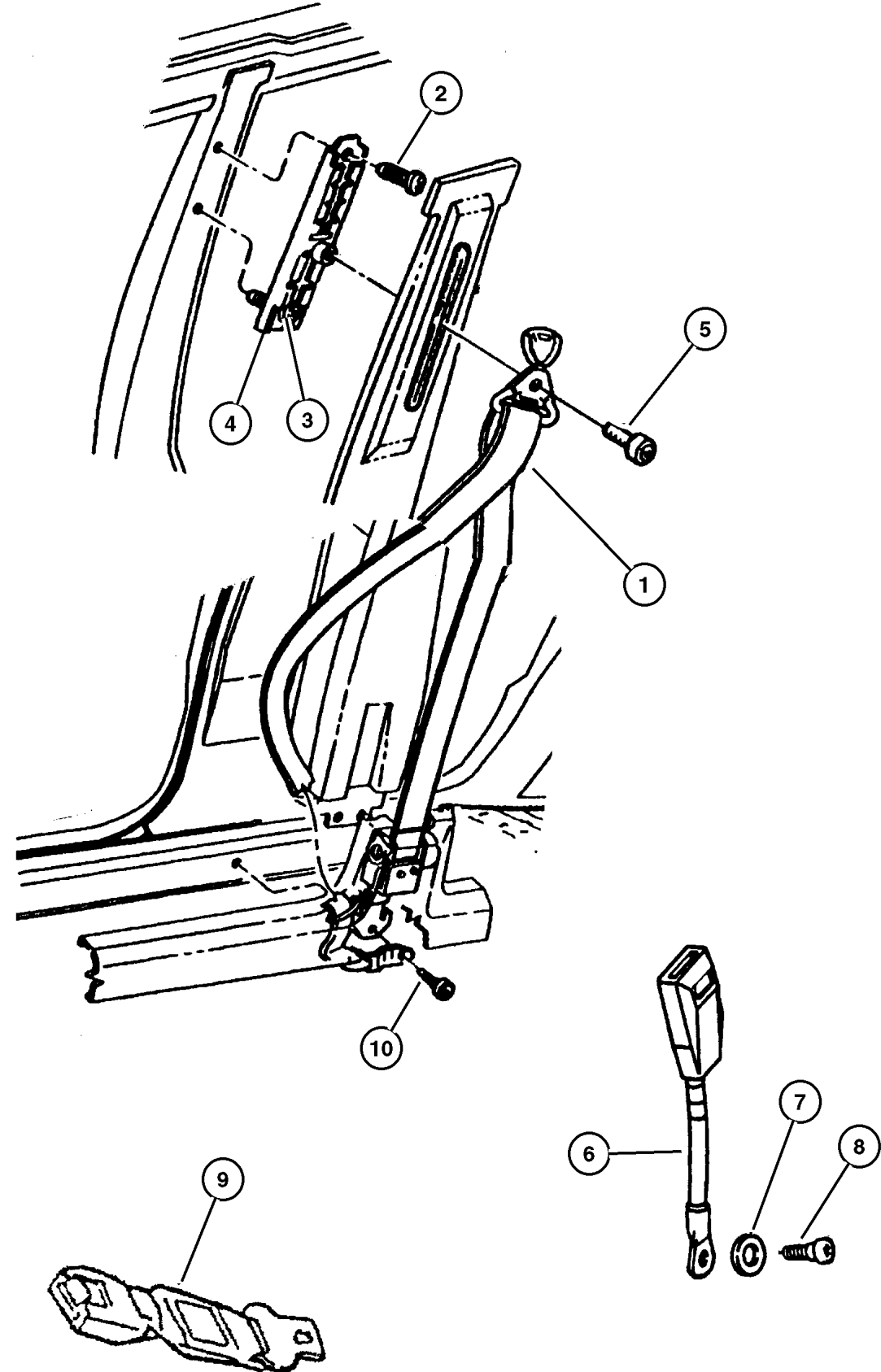
JEEP CHEROKEE (XJ)

SERIES	LINE	BODY	ENGINE	TRANSMISSION
P=Classic	J=LHD (4WD)	74=4 Dr.(101.4WB)	ENC,EN0=2.5L 4 cyl. Turbo Die	DDD, DDQ=5 spd. Man.
S=Limited	U=RHD (4WD)	72=2 Dr.(101.4WB)	ERH,ER0=4.0L Power Tech I-6	DGS=4 spd. Auto. AISIN
H=Sport	T=LHD (2WD)		EPE,EP0=Magnum 2.5L SMP1	DG0=All Auto/Trans.
L=SE	B=RHD (2WD)			DBB=All Manual Trans.

AR = Use as required - = Non illustrated part # = New this model year

April 5, 2002

Seat Belts, Front Seat 4 Door 4 Door  
Figure IXJ-720



ITEM	PART NUMBER	QTY	LINE	SERIES	BODY	TRIM	DESCRIPTION
		1	J, T		74	XJ	
		1	B, U		74	XJ	
		1	J, T		74	X5	
8	6035 115	2	J, T		74	B6	SCREW, Button Head, .375-24x.62
		2	B, U		74	B6	
		2	J, T		74	DL	
		2	B, U		74	DL	
		2	J, T		74	M5	
		2	B, U		74	M5	
		2	B, U		74	XJ	
		2	J, T		74	XJ	
		2	J, T		74	X5	
9	4740 415	1					EXTENDER, Seat Belt
10	6036 294AA	1					BOLT, Shoulder

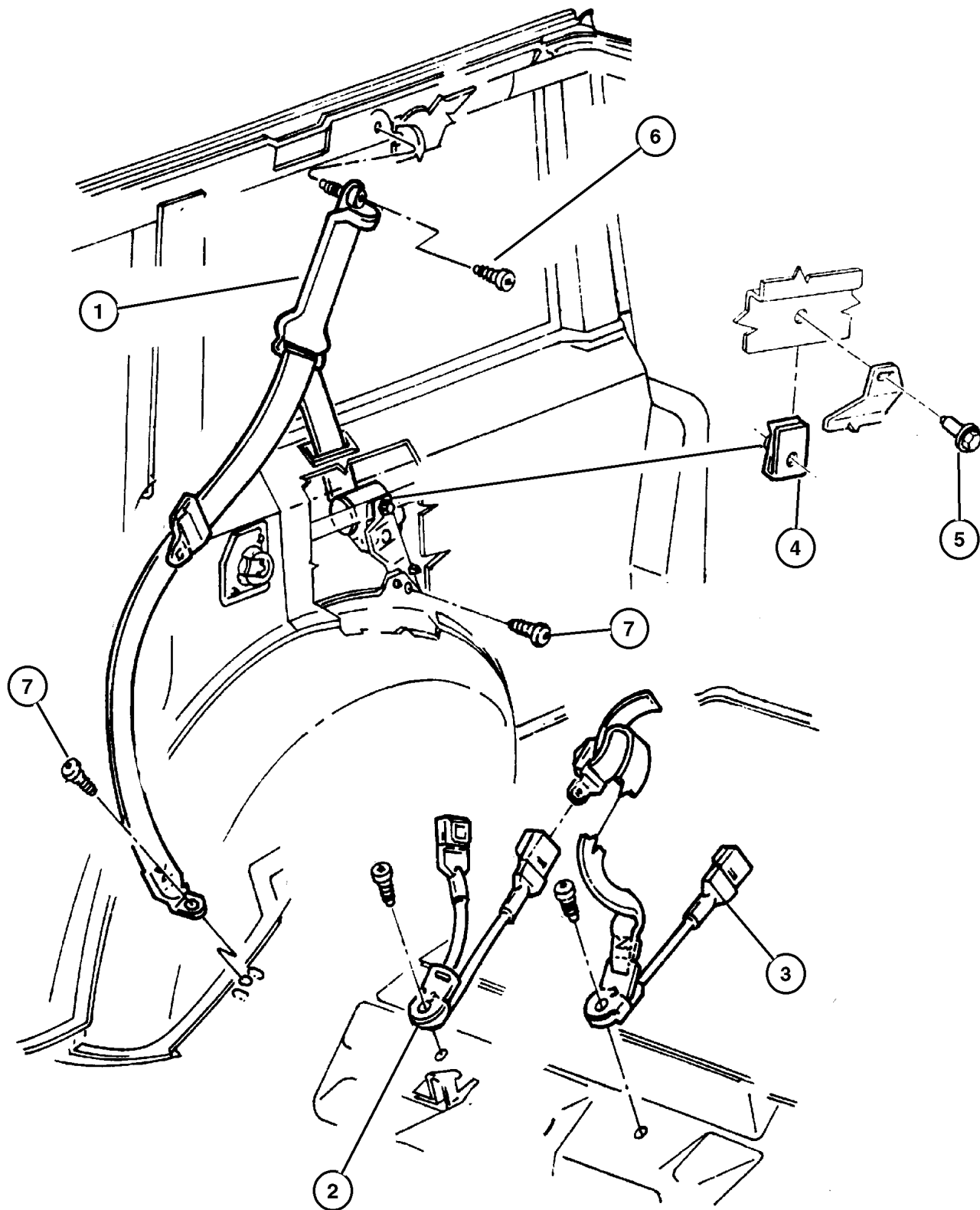
JEEP CHEROKEE (XJ)				
SERIES	LINE	BODY	ENGINE	TRANSMISSION
P=Classic	J=LHD (4WD)	74=4 Dr.(101.4WB)	ENC,EN0=2.5L 4 cyl. Turbo Die	DDD, DDQ=5 spd. Man.
S=Limited	U=RHD (4WD)	72=2 Dr.(101.4WB)	ERH,ER0=4.0L Power Tech I-6	DGS=4 spd. Auto. AISIN
H=Sport	T=LHD (2WD)		EPE,EP0=Magnum 2.5L SMPI	DG0=All Auto/Trans.
L=SE	B=RHD (2WD)			DBB=All Manual Trans.

AR = Use as required - = Non illustrated part # = New this model year

April 5, 2002

Seat Belts, Rear Seats  
Figure IXJ-730

ITEM	PART NUMBER	QTY	LINE	SERIES	BODY	TRIM	DESCRIPTION
1							SEAT BELT, Outer
	5FG52 1K5AF	1					[K5], Right
	5FG52 LAZAF	1					[AZ], Right
	5FG53 1K5AG	1					[K5], Left
	5FG53 LAZAG	1					[AZ], Left
	5GG70 1K5AC	1					[K5], Right,Export
	5GG70 LAZAC	1					[AZ], Right,Export
	5GG71 1K5AC	1					[K5], Left,Export
	5GG71 LAZAC	1					[AZ], Left,Export
2	5FG50 LAZAB	1					SEAT BELT, Two Buckles, Right
3							SEAT BELT, Buckle And Tip
	5FG51 LAZAB	1					Left
	5FT53 LAZAC	1					Left,Export
4	6504 118	2					U-NUT, M6 x 1.00, M6x1.00
5	3420 1807	2					BOLT, Hex Flange Head, M6x1.00x16
6							SCREW, Pan Head Shoulder, .437-20x1.87, (NOT REQUIRED)
7	#6036 295AA	2					SCREW, Pan Head
-8	#55315 034AA	1					TETHER, Child Seat, CANADA



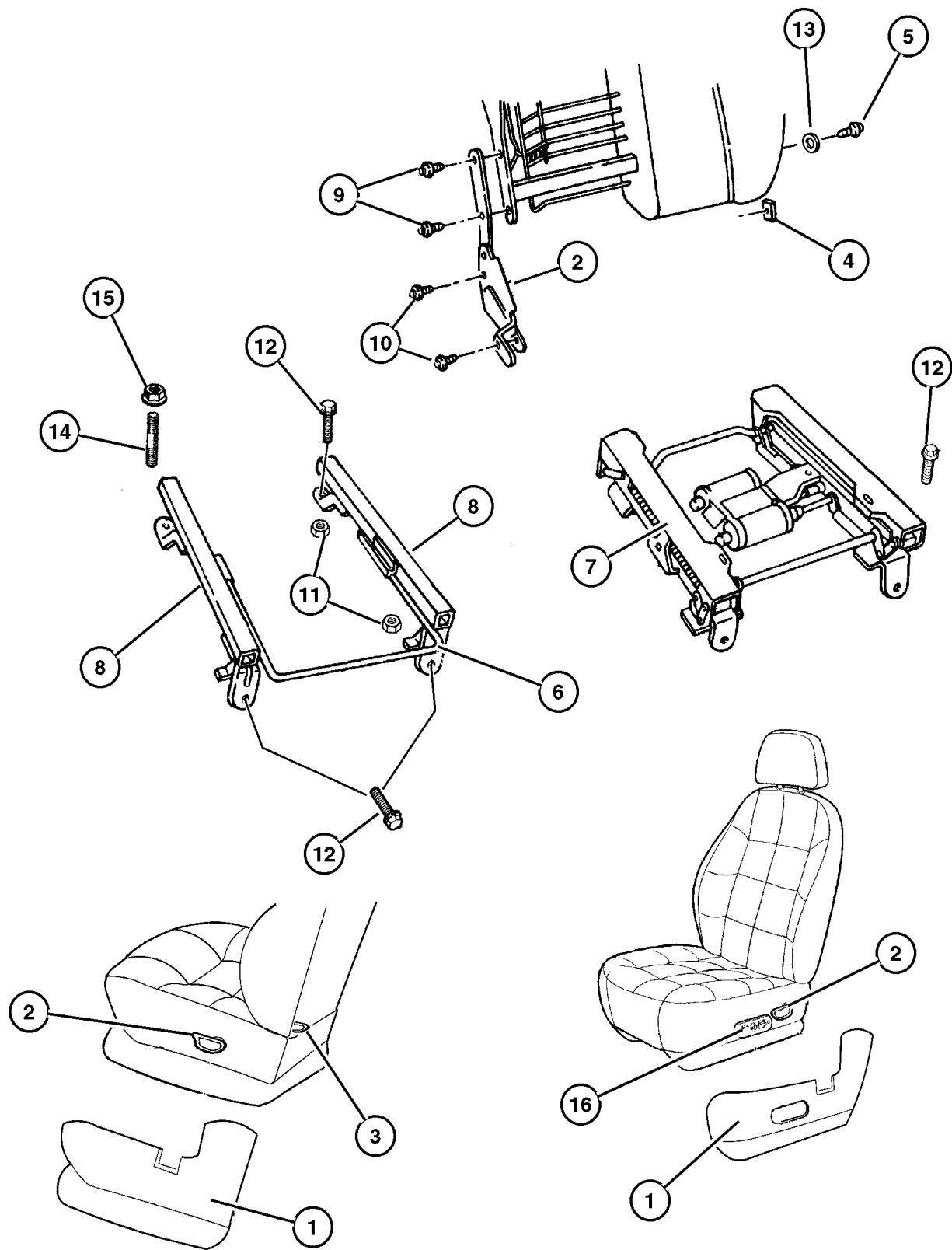
JEEP CHEROKEE (XJ)				
SERIES	LINE	BODY	ENGINE	TRANSMISSION
P=Classic	J=LHD (4WD)	74=4 Dr.(101.4WB)	ENC,EN0=2.5L 4 cyl. Turbo Die	DDD, DDQ=5 spd. Man.
S=Limited	U=RHD (4WD)	72=2 Dr.(101.4WB)	ERH,ER0=4.0L Power Tech I-6	DGS=4 spd. Auto. AISIN
H=Sport	T=LHD (2WD)		EPE,EP0=Magnum 2.5L SMPI	DG0=All Auto/Trans.
L=SE	B=RHD (2WD)			DBB=All Manual Trans.

AR = Use as required - = Non illustrated part # = New this model year

April 5, 2002



**Recliner and Adjuster  
Figure IXJ-810**



ITEM	PART NUMBER	QTY	LINE	SERIES	BODY	TRIM	DESCRIPTION
1							SHIELD, Seat Cushion
	RA72 1AZAA	1	J, T		74	B6	[AZ], Manual, Right
		1	J, T, U		72	B6	[AZ], Manual, Right
		1	B, U		74	B6	[AZ], Manual, Right
	RA72 1K5AA	1	J, T		74	B6	[K5], Manual, Right
		1	J, T, U		72	B6	[K5], Manual, Right
		1	B, U		74	B6	[K5], Manual, Right
	RA73 1AZAA	1	J, T		74	B6	[AZ], Manual, Left
		1	J, T, U		72	B6	[AZ], Manual, Left
		1	B, U		74	B6	[AZ], Manual, Left
	RA73 1K5AA	1	J, T		74	B6	[K5], Manual, Left
		1	J, T, U		72	B6	[K5], Manual, Left
		1	B, U		74	B6	[K5], Manual, Left
	RA70 1AZAA	1	B, U		74	DL	[AZ], With Power, Right
		1	J, T		74	DL	[AZ], With Power, Right
	RA70 1K5AA	1	B, U		74	DL	[K5], With Power, Right
		1	J, T		74	DL	[K5], With Power, Right
	RA71 1AZAA	1	J, T		74	DL	[AZ], With Power, Left
		1	B, U		74	DL	[AZ], With Power, Left
	RA71 1K5AA	1	J, T		74	DL	[K5], With Power, Left
		1	B, U		74	DL	[K5], With Power, Left
	RA72 1AZAA	1	J, T		74	DL	[AZ], Manual, Right
	RA72 1K5AA	1	J, T		74	DL	[K5], Manual, Right
	RA71 1AZAA	1	J, T		72	M5	[AZ], With Power, Left
		1	J, T		74	M5	[AZ], With Power, Left
	RA71 1K5AA	1	J, T		72	M5	[K5], With Power, Left
		1	J, T		74	M5	[K5], With Power, Left
	RA72 1AZAA	1	J, T		72	M5	[AZ], Manual, Right
		1	J, T		74	M5	[AZ], Manual, Right
		1	B, U		74	M5	[AZ], Manual, Right
	RA72 1K5AA	1	J, T		72	M5	[K5], Manual, Right
		1	J, T		74	M5	[K5], Manual, Right
		1	B, U		74	M5	[K5], Manual, Right
	RA73 1AZAA	1	J, T		72	M5	[AZ], Manual, Left
		1	J, T		74	M5	[AZ], Manual, Left
		1	B, U		74	M5	[AZ], Manual, Left
	RA73 1K5AA	1	J, T		72	M5	[K5], Manual, Left
		1	J, T		74	M5	[K5], Manual, Left
		1	B, U		74	M5	[K5], Manual, Left
	RA70 1AZAA	1	B, U		74	XJ	[AZ], With Power, Right
		1	J, T		72	XJ	[AZ], With Power, Right
		1	J, T		74	XJ	[AZ], With Power, Right

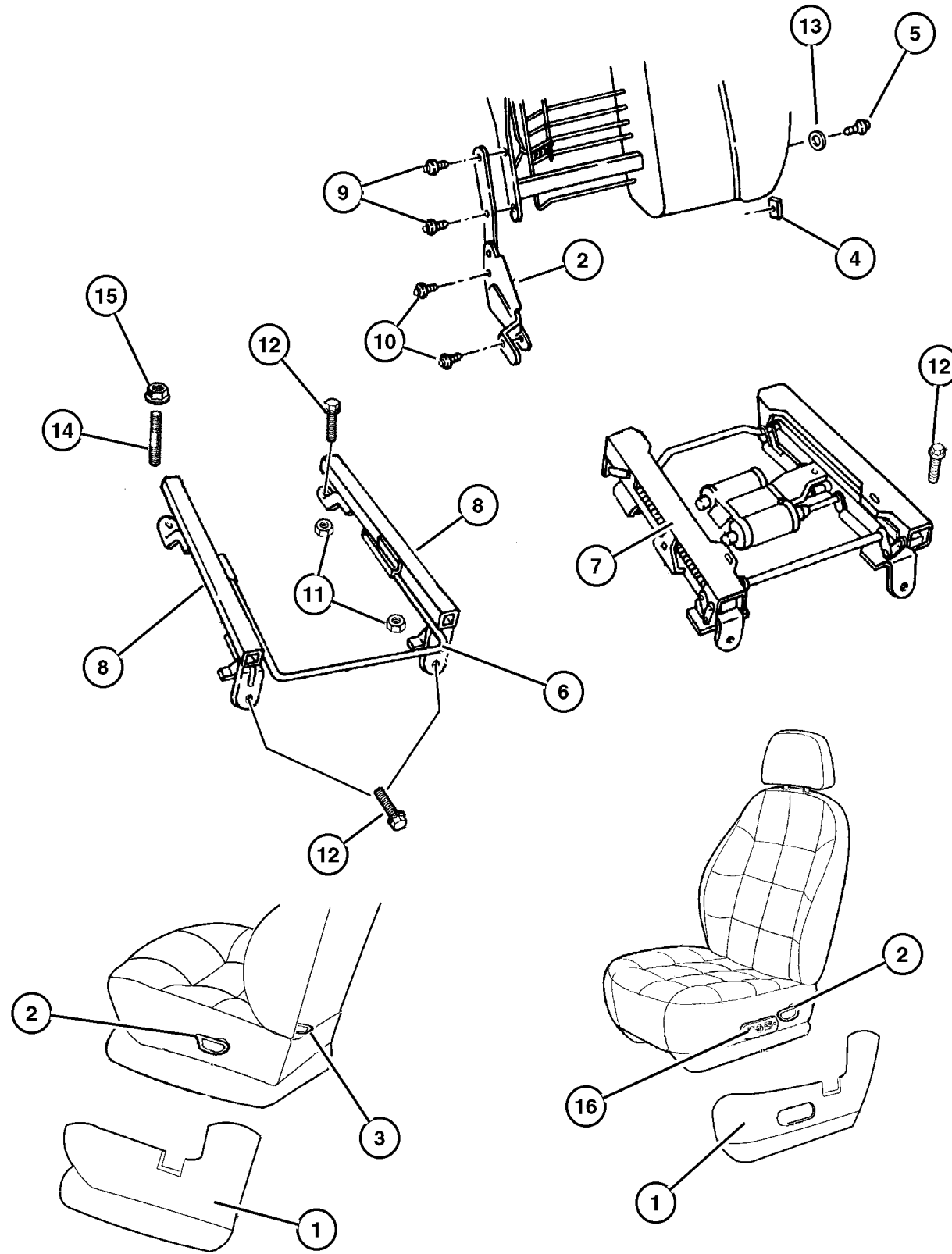
**JEEP CHEROKEE (XJ)**

SERIES	LINE	BODY	ENGINE	TRANSMISSION
P=Classic	J=LHD (4WD)	74=4 Dr.(101.4WB)	ENC,EN0=2.5L 4 cyl. Turbo Die	DDD, DDQ=5 spd. Man.
S=Limited	U=RHD (4WD)	72=2 Dr.(101.4WB)	ERH,ER0=4.0L Power Tech I-6	DGS=4 spd. Auto. AISIN
H=Sport	T=LHD (2WD)		EPE,EP0=Magnum 2.5L SMPI	DG0=All Auto/Trans.
L=SE	B=RHD (2WD)			DBB=All Manual Trans.

AR = Use as required - = Non illustrated part # = New this model year

April 5, 2002

## Recliner and Adjuster Figure IXJ-810



ITEM	PART NUMBER	QTY	LINE	SERIES	BODY	TRIM	DESCRIPTION
	RA70 1K5AA	1	B, U		74	XJ	[K5], With Power, Right
		1	J, T		72	XJ	[K5], With Power, Right
		1	J, T		74	XJ	[K5], With Power, Right
	RA71 1AZAA	1	B, U		74	XJ	[AZ], With Power, Left
		1	J, T		74	XJ	[AZ], With Power, Left
		1	J, T		72	XJ	[AZ], With Power, Left
	RA71 1K5AA	1	B, U		74	XJ	[K5], With Power, Left
		1	J, T		74	XJ	[K5], With Power, Left
		1	J, T		72	XJ	[K5], With Power, Left
	RA72 1AZAA	1	B, U		74	XJ	[AZ], Manual, Right
		1	J, T		74	XJ	[AZ], Manual, Right
		1	J, T		72	XJ	[AZ], Manual, Right
	RA72 1K5AA	1	B, U		74	XJ	[K5], Manual, Right
		1	J, T		74	XJ	[K5], Manual, Right
		1	J, T		72	XJ	[K5], Manual, Right
	RA73 1AZAA	1	B, U		74	XJ	[AZ], Manual, Left
		1	J, T		72	XJ	[AZ], Manual, Left
		1	J, T		74	XJ	[AZ], Manual, Left
	RA73 1K5AA	1	B, U		74	XJ	[K5], Manual, Left
		1	J, T		72	XJ	[K5], Manual, Left
		1	J, T		74	XJ	[K5], Manual, Left
	RA72 1AZAA	1	J, T		74	X5	[AZ], Manual, Right
	RA72 1K5AA	1	J, T		74	X5	[K5], Manual, Right
	RA73 1AZAA	1	J, T		74	X5	[AZ], Manual, Left
	RA73 1K5AA	1	J, T		74	X5	[K5], Manual, Left
2							RECLINER, Seat Back
	4796 712	1	J, T, U		72	B6	Right
		1	J, T		72	M5	Right
		1	J, T		72	XJ	Right
	4796 713	1	J, T, U		72	B6	Left
		1	J, T		72	M5	Left
		1	J, T		72	XJ	Left
	4796 714	1	J, T		74	B6	Includes Handle, Right
		1	B, U		74	B6	Includes Handle, Right
		1	J, T		74	DL	Includes Handle, Right
		1	B, U		74	DL	Includes Handle, Right
		1	J, T		74	M5	Includes Handle, Right
		1	B, U		74	M5	Includes Handle, Right
		1	J, T		74	XJ	Includes Handle, Right
		1	B, U		74	XJ	Includes Handle, Right
		1	J, T		74	X5	Includes Handle, Right
	4796 715	1	J, T		74	B6	Includes Handle, Left

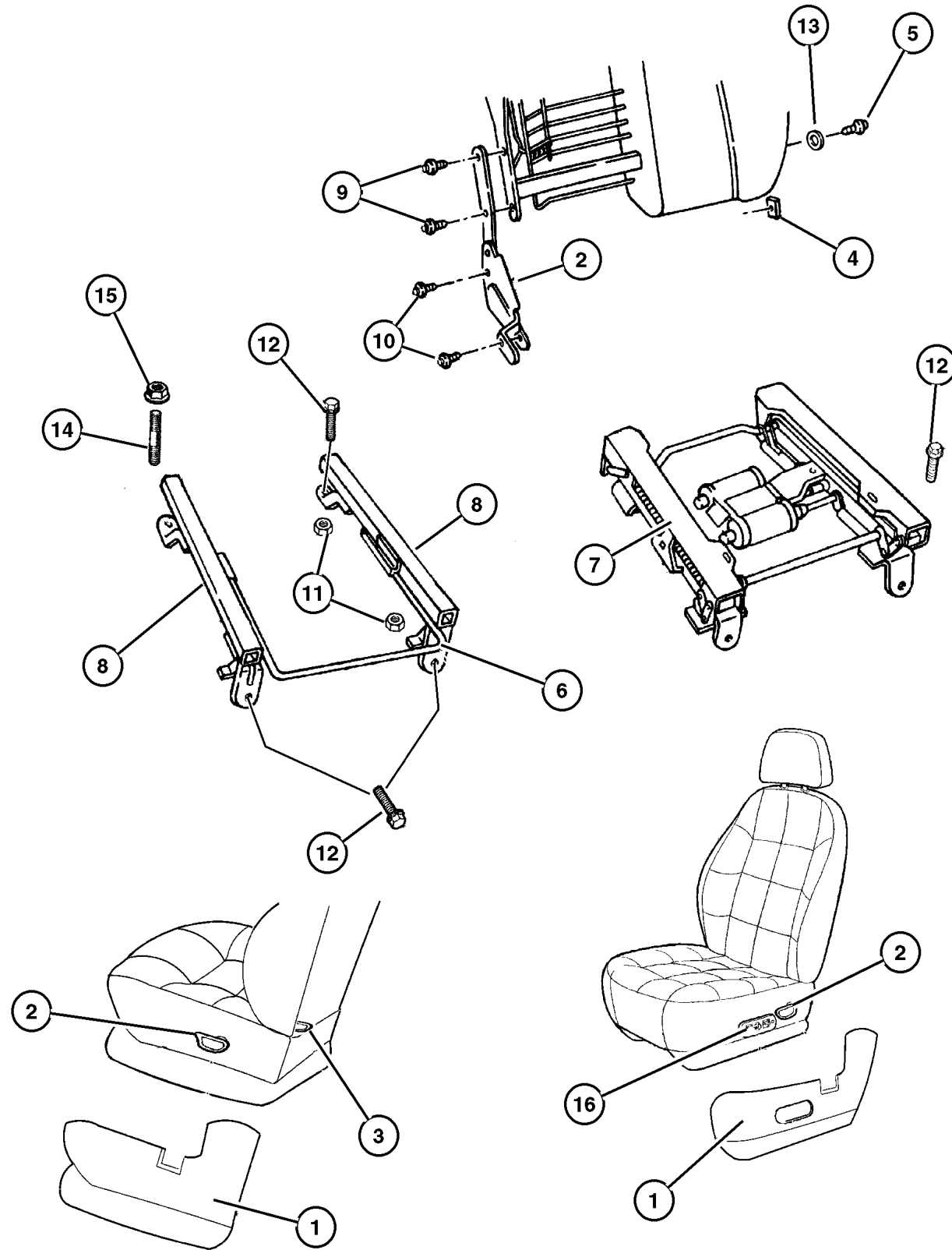
### JEEP CHEROKEE (XJ)

SERIES	LINE	BODY	ENGINE	TRANSMISSION
P=Classic	J=LHD (4WD)	74=4 Dr.(101.4WB)	ENC,EN0=2.5L 4 cyl. Turbo Die	DDD, DDQ=5 spd. Man.
S=Limited	U=RHD (4WD)	72=2 Dr.(101.4WB)	ERH,ER0=4.0L Power Tech I-6	DGS=4 spd. Auto. AISIN
H=Sport	T=LHD (2WD)		EPE,EP0=Magnum 2.5L SMPI	DG0=All Auto/Trans.
L=SE	B=RHD (2WD)			DBB=All Manual Trans.

AR = Use as required - = Non illustrated part # = New this model year

April 5, 2002

## Recliner and Adjuster Figure IXJ-810



ITEM	PART NUMBER	QTY	LINE	SERIES	BODY	TRIM	DESCRIPTION
		1	B, U		74	B6	Includes Handle, Left
		1	J, T		74	DL	Includes Handle, Left
		1	B, U		74	DL	Includes Handle, Left
		1	J, T		74	M5	Includes Handle, Left
		1	B, U		74	M5	Includes Handle, Left
		1	B, U		74	XJ	Includes Handle, Left
		1	J, T		74	XJ	Includes Handle, Left
		1	J, T		74	X5	Includes Handle, Left
3							KNOB, Seat Recliner
	4796 720	1	J, T, U		72	B6	
		1	J, T		72	M5	
		1	J, T		72	XJ	
4							U-NUT, Seat Back
	4713 982	1	J, T		74	B6	
		1	J, T, U		72	B6	
		1	B, U		74	B6	
		1	J, T		74	DL	
		1	B, U		74	DL	
		1	J, T		72	M5	
		1	J, T		74	M5	
		1	B, U		74	M5	
		1	B, U		74	XJ	
		1	J, T		74	XJ	
		1	J, T		72	XJ	
		1	J, T		74	X5	
5							BOLT, Shoulder, I.B.-Back To Cushion-Pivot
	4797 554	1	J, T		74	B6	
		1	J, T, U		72	B6	
		1	B, U		74	B6	
		1	J, T		74	DL	
		1	B, U		74	DL	
		1	J, T		72	M5	
		1	J, T		74	M5	
		1	B, U		74	M5	
		1	B, U		74	XJ	
		1	J, T		74	XJ	
		1	J, T		72	XJ	
		1	J, T		74	X5	
6							HANDLE, Seat Release
	4796 780	1	J, T		74	B6	
		1	J, T, U		72	B6	
		1	B, U		74	B6	

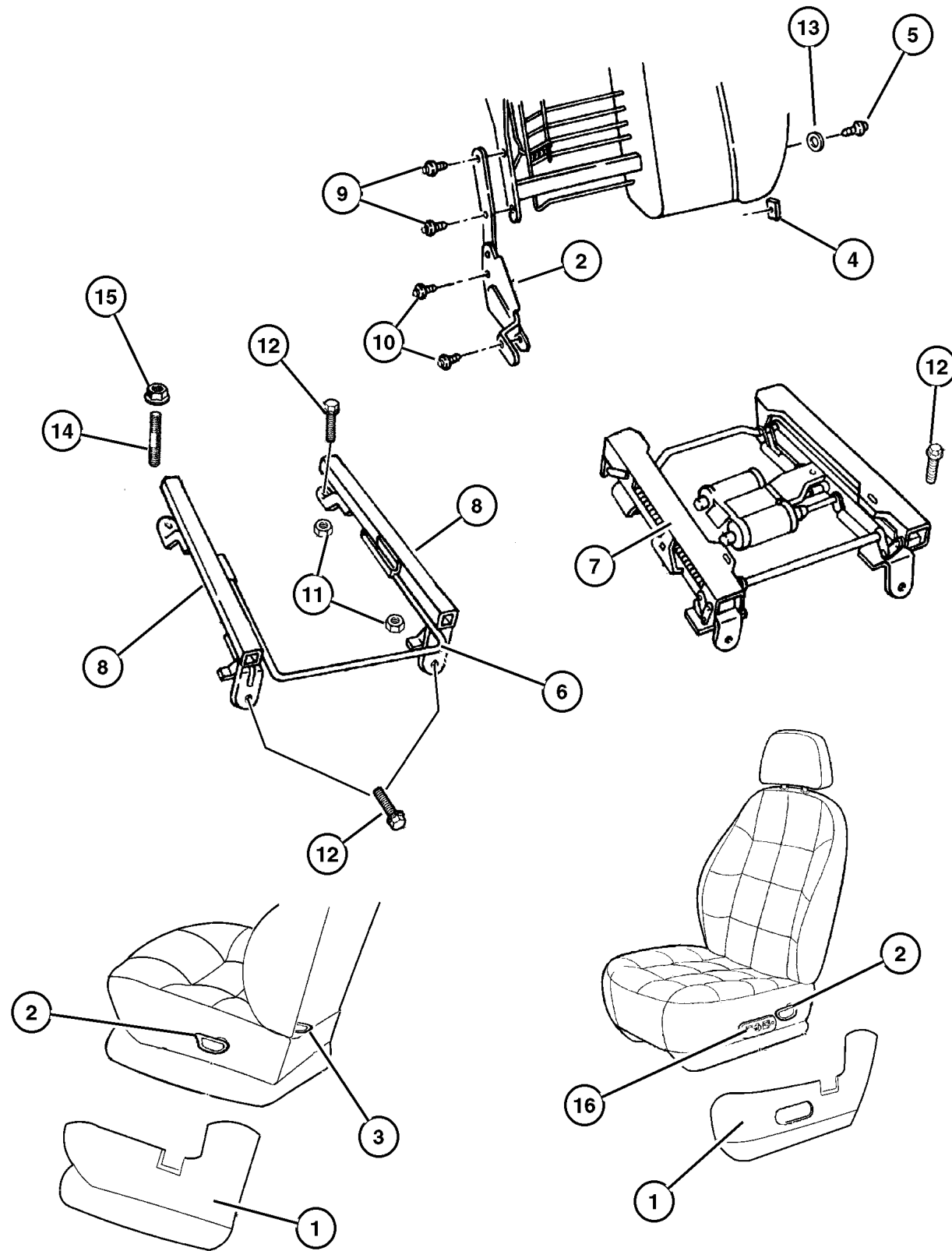
### JEEP CHEROKEE (XJ)

SERIES	LINE	BODY	ENGINE	TRANSMISSION
P=Classic	J=LHD (4WD)	74=4 Dr.(101.4WB)	ENC,EN0=2.5L 4 cyl. Turbo Die	DDD, DDQ=5 spd. Man.
S=Limited	U=RHD (4WD)	72=2 Dr.(101.4WB)	ERH,ER0=4.0L Power Tech I-6	DGS=4 spd. Auto. AISIN
H=Sport	T=LHD (2WD)		EPE,EP0=Magnum 2.5L SMPI	DG0=All Auto/Trans.
L=SE	B=RHD (2WD)			DBB=All Manual Trans.

AR = Use as required - = Non illustrated part # = New this model year

April 5, 2002

## Recliner and Adjuster Figure IXJ-810



ITEM	PART NUMBER	QTY	LINE	SERIES	BODY	TRIM	DESCRIPTION
		1	J, T		74	DL	
		1	J, T		72	M5	
		1	J, T		74	M5	
		1	B, U		74	M5	
		1	B, U		74	XJ	
		1	J, T		74	XJ	
		1	J, T		74	X5	
7							ADJUSTER, Power Seat, Includes Motor
	4886 375AA	1	J, T		74	DL	Right,Export
		1	B, U		74	DL	Right,Export
		1	J, T		74	XJ	Right,Export
		1	B, U		74	XJ	Right,Export
		1	J, T		72	XJ	Right,Export
	4886 376AA	1	J, T		74	DL	Left
		1	B, U		74	DL	Left
		1	J, T		72	M5	Left
		1	J, T		74	M5	Left
		1	B, U		74	XJ	Left
		1	J, T		74	XJ	Left
		1	J, T		72	XJ	Left
	5013 658AA	1	B, U		74	DL	With Heated Seats, Right
		1	J, T		74	DL	With Heated Seats, Right
	5013 659AA	1	B, U		74	DL	With Heated Seats, Left
		1	J, T		74	DL	With Heated Seats, Left
8							ADJUSTER, Manual Seat
	5014 595AA	1	J, T		74	B6	Driver,Outboard
		1	J, T, U		72	B6	Driver,Outboard
		1	B, U		74	B6	Driver,Outboard
		1	J, T		72	M5	Driver,Outboard
		1	J, T		74	M5	Driver,Outboard
		1	B, U		74	M5	Driver,Outboard
		1	J, T		72	XJ	Driver,Outboard
		1	J, T		74	XJ	Driver,Outboard
		1	B, U		74	XJ	Driver,Outboard
		1	J, T		74	X5	Driver,Outboard
	5014 596AA	1	J, T		74	B6	Passenger,Outboard
		1	J, T, U		72	B6	Passenger,Outboard
		1	B, U		74	B6	Passenger,Outboard
		1	J, T		74	DL	Passenger,Outboard
		1	J, T		72	M5	Passenger,Outboard
		1	J, T		74	M5	Passenger,Outboard
		1	B, U		74	M5	Passenger,Outboard

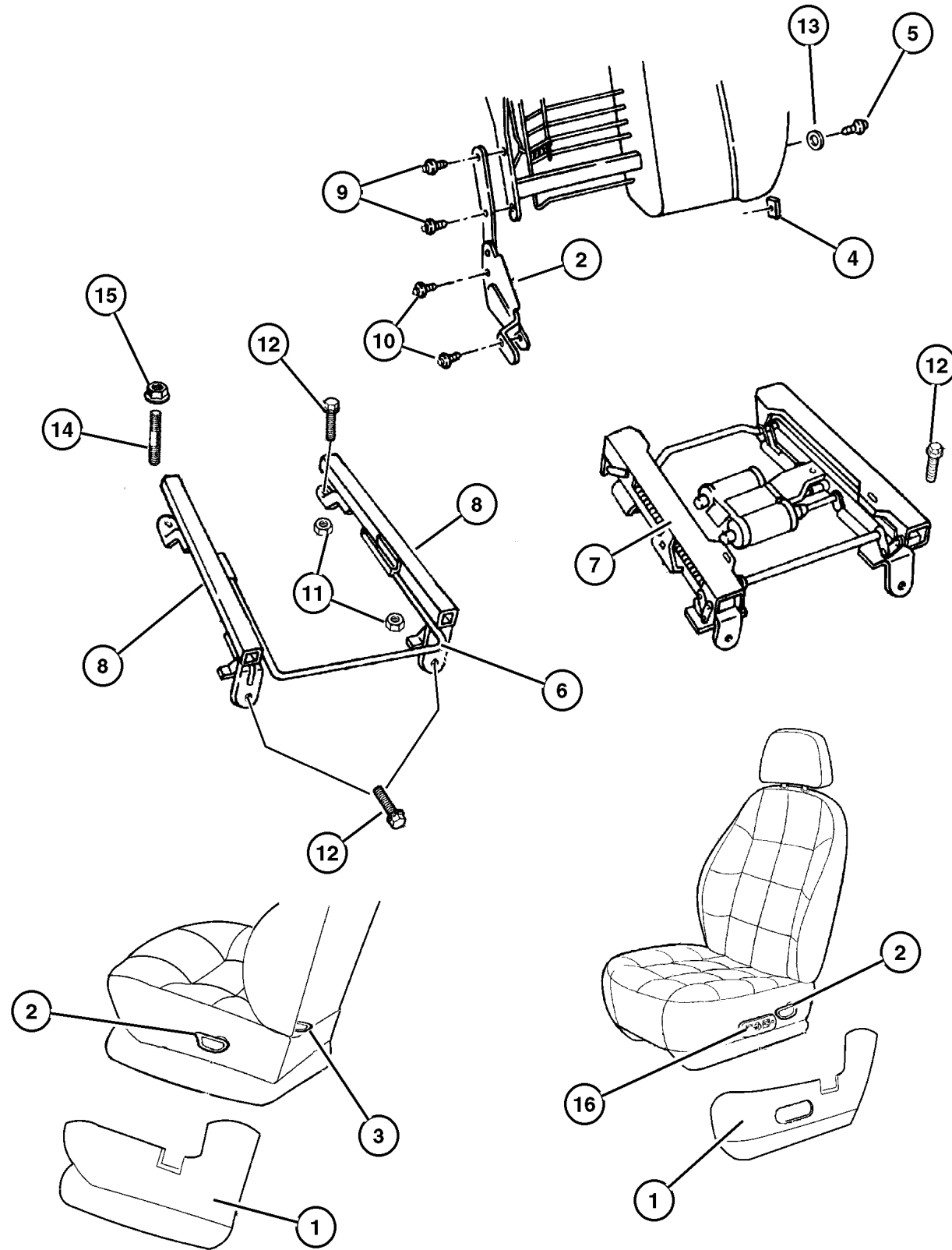
### JEEP CHEROKEE (XJ)

SERIES	LINE	BODY	ENGINE	TRANSMISSION
P=Classic	J=LHD (4WD)	74=4 Dr.(101.4WB)	ENC,EN0=2.5L 4 cyl. Turbo Die	DDD, DDQ=5 spd. Man.
S=Limited	U=RHD (4WD)	72=2 Dr.(101.4WB)	ERH,ER0=4.0L Power Tech I-6	DGS=4 spd. Auto. AISIN
H=Sport	T=LHD (2WD)		EPE,EP0=Magnum 2.5L SMPI	DG0=All Auto/Trans.
L=SE	B=RHD (2WD)			DBB=All Manual Trans.

AR = Use as required - = Non illustrated part # = New this model year

April 5, 2002

## Recliner and Adjuster Figure IXJ-810



ITEM	PART NUMBER	QTY	LINE	SERIES	BODY	TRIM	DESCRIPTION
		1	J, T		72	XJ	Passenger,Outboard
		1	J, T		74	XJ	Passenger,Outboard
		1	B, U		74	XJ	Passenger,Outboard
		1	J, T		74	X5	Passenger,Outboard
	5014 655AA	1	J, T		74	B6	Passenger,Inboard
		1	J, T, U		72	B6	Passenger,Inboard
		1	B, U		74	B6	Passenger,Inboard
		1	J, T		74	DL	Passenger,Inboard
		1	J, T		72	M5	Passenger,Inboard
		1	J, T		74	M5	Passenger,Inboard
		1	B, U		74	M5	Passenger,Inboard
		1	J, T		72	XJ	Passenger,Inboard
		1	J, T		74	XJ	Passenger,Inboard
		1	B, U		74	XJ	Passenger,Inboard
		1	J, T		74	X5	Passenger,Inboard
	5014 656AA	1	J, T		74	B6	Driver,Inboard
		1	J, T, U		72	B6	Driver,Inboard
		1	B, U		74	B6	Driver,Inboard
		1	J, T		72	M5	Driver,Inboard
		1	J, T		74	M5	Driver,Inboard
		1	B, U		74	M5	Driver,Inboard
		1	J, T		72	XJ	Driver,Inboard
		1	J, T		74	XJ	Driver,Inboard
		1	B, U		74	XJ	Driver,Inboard
		1	J, T		74	X5	Driver,Inboard
9							BOLT, Recliner to Seat Back
	4720 768	1	J, T		74	B6	
		1	J, T, U		72	B6	
		1	B, U		74	B6	
		1	J, T		74	DL	
		1	B, U		74	DL	
		1	J, T		72	M5	
		1	J, T		74	M5	
		1	B, U		74	M5	
		1	J, T		72	XJ	
		1	J, T		74	XJ	
		1	B, U		74	XJ	
10		1	J, T		74	X5	BOLT, Recliner To Cushion, Front Seat
	4796 793	1	J, T, U		72	B6	
		1	J, T		74	B6	
		1	B, U		74	B6	

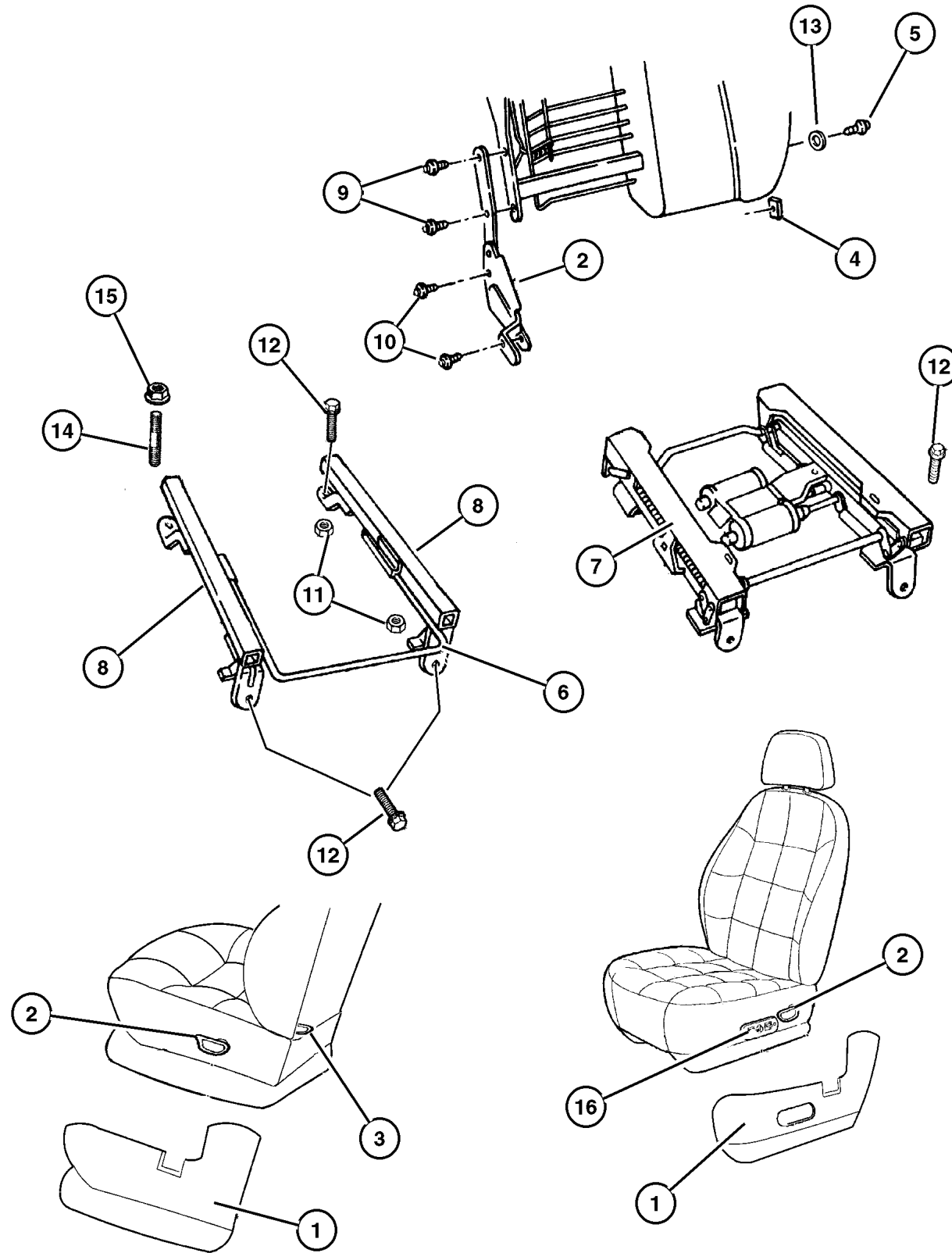
### JEEP CHEROKEE (XJ)

SERIES	LINE	BODY	ENGINE	TRANSMISSION
P=Classic	J=LHD (4WD)	74=4 Dr.(101.4WB)	ENC,EN0=2.5L 4 cyl. Turbo Die	DDD, DDQ=5 spd. Man.
S=Limited	U=RHD (4WD)	72=2 Dr.(101.4WB)	ERH,ER0=4.0L Power Tech I-6	DGS=4 spd. Auto. AISIN
H=Sport	T=LHD (2WD)		EPE,EP0=Magnum 2.5L SMP1	DG0=All Auto/Trans.
L=SE	B=RHD (2WD)			DBB=All Manual Trans.

AR = Use as required - = Non illustrated part # = New this model year

April 5, 2002

## Recliner and Adjuster Figure IXJ-810



ITEM	PART NUMBER	QTY	LINE	SERIES	BODY	TRIM	DESCRIPTION
		4	J, T		74	DL	
		4	B, U		74	DL	
		1	J, T		72	M5	
		1	J, T		74	M5	
		1	B, U		74	M5	
		4	J, T		72	XJ	
		4	J, T		74	XJ	
		4	B, U		74	XJ	
		1	J, T		74	X5	
11							NUT, Hex Flange, M8x1.25
	6101 467	1	J, T		74	B6	
		1	J, T, U		72	B6	
		1	B, U		74	B6	
		8	J, T		74	DL	
		8	B, U		74	DL	
		1	J, T		72	M5	
		1	J, T		74	M5	
		1	B, U		74	M5	
		8	J, T		72	XJ	
		8	J, T		74	XJ	
		8	B, U		74	XJ	
		1	J, T		74	X5	
12	6505 227AA	6					SCREW AND WASHER, Hex Head Tap, M8x1.25x33.00
13							WASHER, (NOT SERVICED)
14							STUD, (NOT SERVICED)
15	0152 477	2					NUT, Hex Flange Lock, .437-20
16							SWITCH, Seat
	4373 666	2	J, T		74	DL	
		2	B, U		74	DL	
		1	J, T		72	M5	
		2	J, T		72	XJ	
		2	J, T		74	XJ	
		2	B, U		74	XJ	

### JEEP CHEROKEE (XJ)

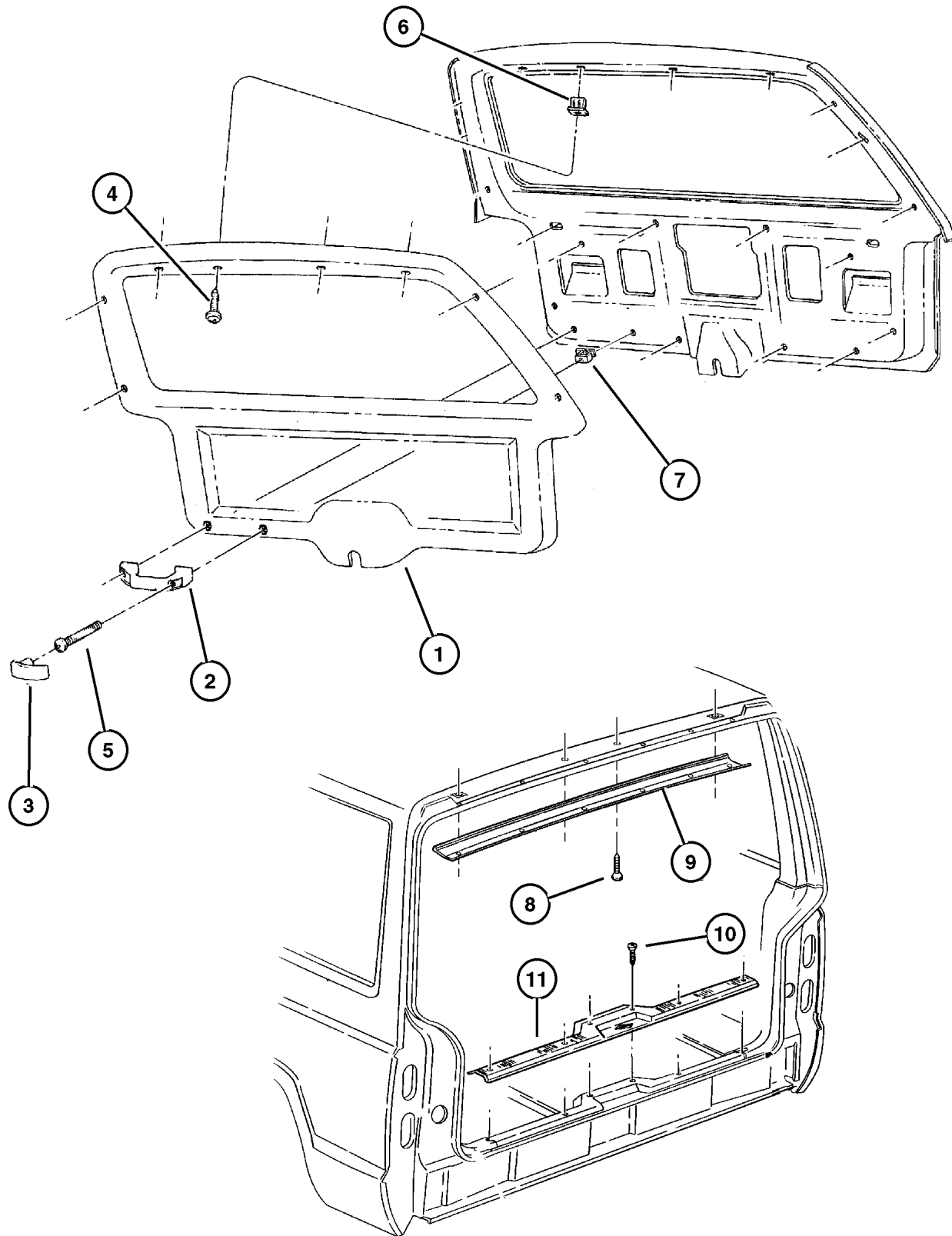
SERIES	LINE	BODY	ENGINE	TRANSMISSION
P=Classic	J=LHD (4WD)	74=4 Dr.(101.4WB)	ENC,EN0=2.5L 4 cyl. Turbo Die	DDD, DDQ=5 spd. Man.
S=Limited	U=RHD (4WD)	72=2 Dr.(101.4WB)	ERH,ER0=4.0L Power Tech I-6	DGS=4 spd. Auto. AISIN
H=Sport	T=LHD (2WD)		EPE,EP0=Magnum 2.5L SMPI	DG0=All Auto/Trans.
L=SE	B=RHD (2WD)			DBB=All Manual Trans.

AR = Use as required - = Non illustrated part # = New this model year

April 5, 2002

## Liftgate Trim Panel Figure IXJ-1010

ITEM	PART NUMBER	QTY	LINE	SERIES	BODY	TRIM	DESCRIPTION
1							PANEL, Liftgate
	5EG06 LAZAB	1					[AZ]
	5EG06 RK5AB	1					[K5]
2							HANDLE, Roof Grab
	5DX76 LAZAC	1					[AZ]
	5DX76 RK5AC	1					[K5]
3							PLUG, Assist and Grab Handle
	H526 TAZ	2					[AZ]
	H526 TK5	2					[K5]
4							SCREW, .164-18x1.00, (NOT SERVICED)
5							SCREW, .250-14x2.375, (NOT SERVICED)
6	6505 141AA	4					NUT, Snap In, M4.2 x 1.41
7	6029 509	2					U-NUT, .250-14
8							SCREW, .164-18x.625, (NOT SERVICED)
9							MOLDING, Liftgate Upper
	5ER43 LAZAD	1					[AZ]
	5ER43 RK5AD	1					[K5]
10	3420 1468	6					SCREW, Round Washer Head, M4.2x1.41x25.00
11							SILL COVER, Interior
	5EG09 LAZAB	1					[AZ]
	5EG09 RK5AB	1					[K5]
-12	6506 063AA	2					NUT, Snap In, Upper Liftgate Molding Mounting



### JEEP CHEROKEE (XJ)

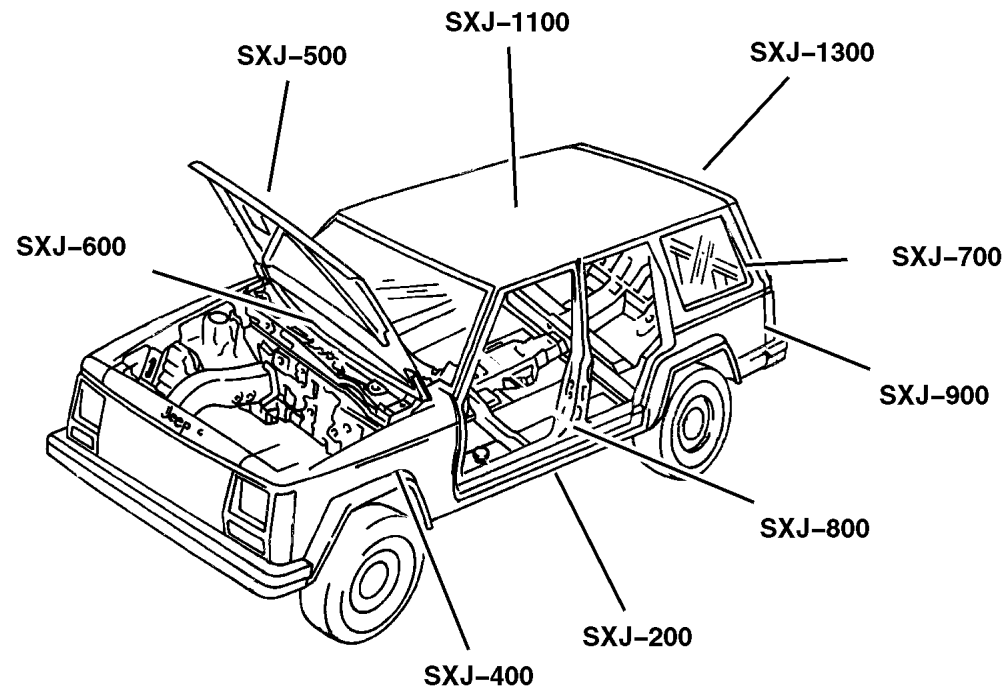
SERIES	LINE	BODY	ENGINE	TRANSMISSION
P=Classic	J=LHD (4WD)	74=4 Dr.(101.4WB)	ENC,EN0=2.5L 4 cyl. Turbo Die	DDD, DDQ=5 spd. Man.
S=Limited	U=RHD (4WD)	72=2 Dr.(101.4WB)	ERH,ER0=4.0L Power Tech I-6	DGS=4 spd. Auto. AISIN
H=Sport	T=LHD (2WD)		EPE,EP0=Magnum 2.5L SMPI	DG0=All Auto/Trans.
L=SE	B=RHD (2WD)			DBB=All Manual Trans.

AR = Use as required - = Non illustrated part # = New this model year

April 5, 2002

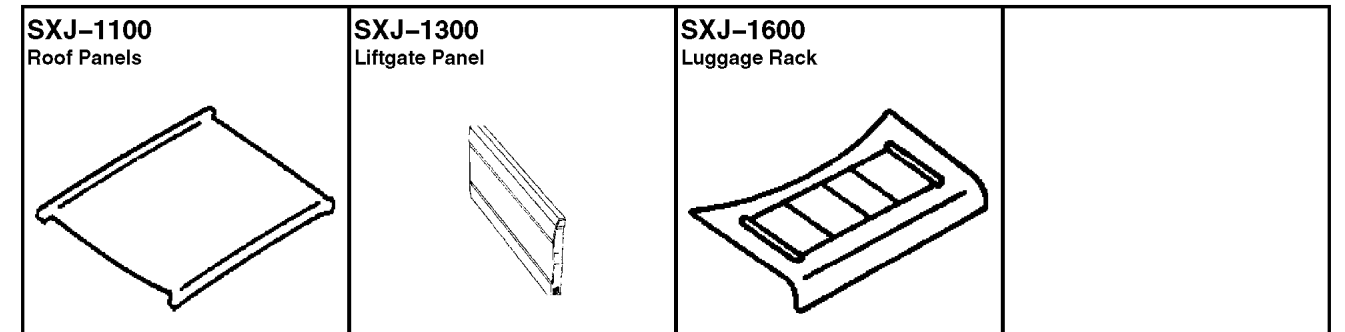
# Group – SXJ

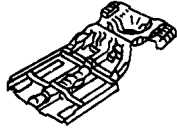

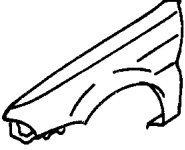
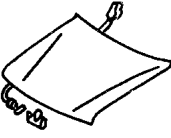
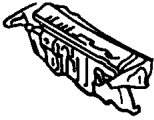

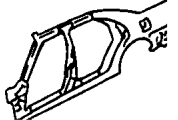
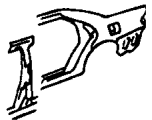
## Body Sheet Metal Except Doors



# Group – SXJ

## Body Sheet Metal Except Doors



<p><b>SXJ-200</b> Floor Pans</p> 	<p><b>SXJ-300</b> Plugs</p> 	<p><b>SXJ-400</b> Front Fenders</p> 	<p><b>SXJ-500</b> Hood &amp; Hood Release</p> 
<p><b>SXJ-600</b> Cowl and Dash Panel</p> 	<p><b>SXJ-700</b> Glass and Rear View Mirror</p> 	<p><b>SXJ-800</b> Aperture Panel</p> 	<p><b>SXJ-900</b> Quarter Panel and Pillar</p> 

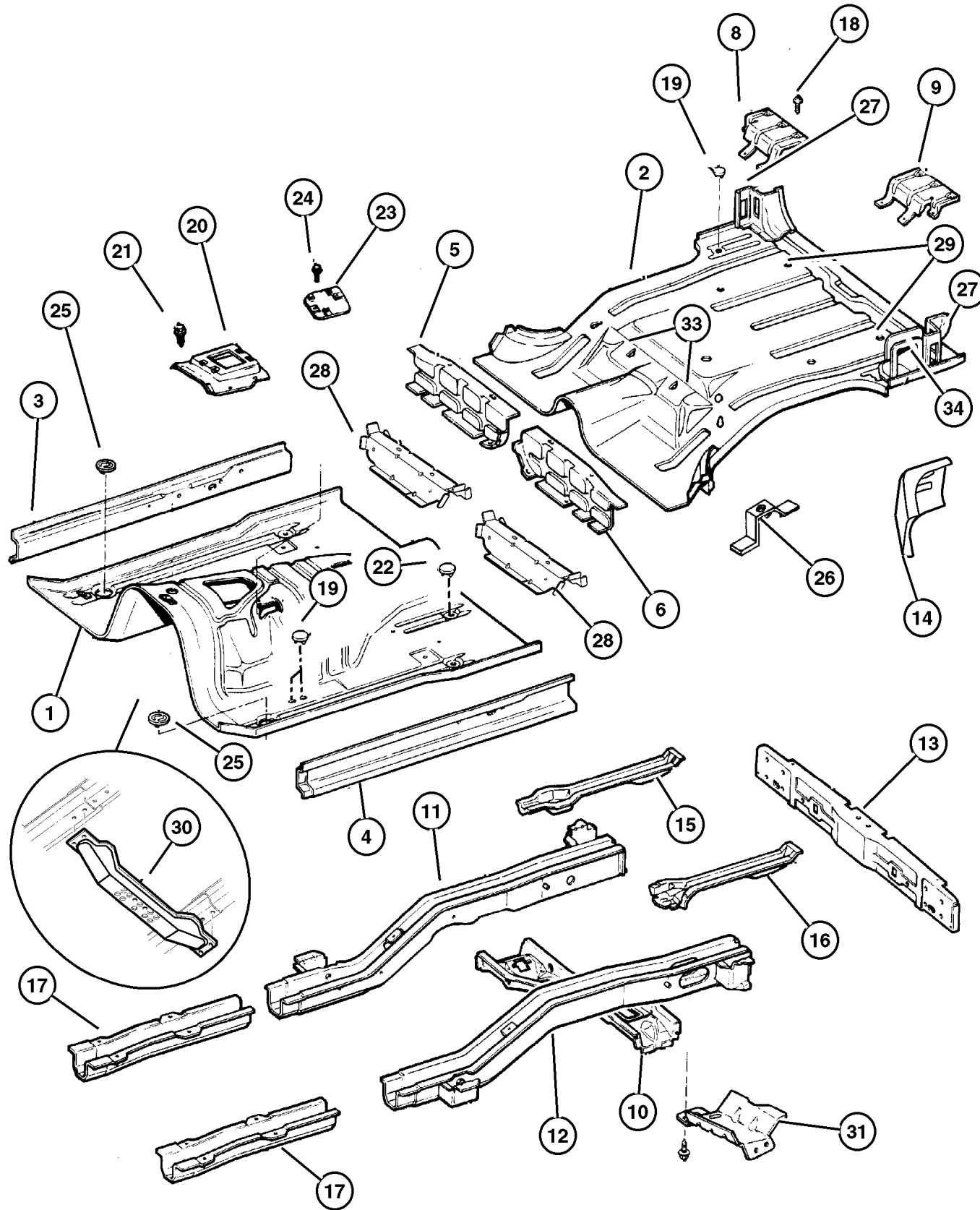


---

## GROUP SXJ - Body Sheet Metal Except Doors

Illustration Title	Group-Fig. No.
<b>Floor Pans</b>	
Pans, Floor .....	Fig. SXJ-210
Plates, Underbody Skid .....	Fig. SXJ-220
<b>Plugs</b>	
Plugs .....	Fig. SXJ-310
<b>Front Fenders</b>	
Panels, Front End Inner and Wheelhouse .....	Fig. SXJ-410
Fenders, Front .....	Fig. SXJ-420
<b>Hood &amp; Hood Release</b>	
Hood, Latch and Hinges .....	Fig. SXJ-510
<b>Cowl and Dash Panel</b>	
Panels, Cowl And Dash, L.H.D. ....	Fig. SXJ-610
Cowl And Dash Panel, R.H.D. ....	Fig. SXJ-620
<b>Glass and Rear View Mirror</b>	
Glass, Windshield, Backlite and Mirror .....	Fig. SXJ-710
Windows, Quarter, 2 and 4 Doors .....	Fig. SXJ-720
<b>Aperture Panel</b>	
Panels, Body side, 2 Door .....	Fig. SXJ-810
Panels, Body Side, 4 Door .....	Fig. SXJ-820
<b>Quarter Panel and Pillar</b>	
Panels, Rear Quarter, 2 Door .....	Fig. SXJ-910
Fuel Filler Housing & Door .....	Fig. SXJ-920
Panels, Rear Quarter, 4 Door .....	Fig. SXJ-930
Appliques, Rear Quarter Panel .....	Fig. SXJ-940
<b>Roof Panels</b>	
Roof Panel .....	Fig. SXJ-1110
<b>Liftgate Panel</b>	
Lift Door, Latch and Hinges .....	Fig. SXJ-1310
<b>Luggage Rack</b>	
Rack, Roof Luggage .....	Fig. SXJ-1610

Pans, Floor  
Figure SXJ-210



ITEM	PART NUMBER	QTY	LINE	BODY	DESCRIPTION
1	5015 108AB	1			PAN, Front Floor
2	55175 177AD	1			PAN, Floor
3	5517 5088	1			SILL, Body Side, Right
4	5523 5527	1			SILL, Body Side, Left
5	55235 812AB	1			CROSSMEMBER, Floor Pan, Right
6	55235 813AA	1			CROSSMEMBER, Floor Pan, Left
-7	J400 7073	2			SCREW AND WASHER, .375-16x1.125
8	5500 2230	1			SUPPORT, Rear Floor, Right
9	5500 2231	1			SUPPORT, Rear Floor, Left
10	5517 5942	1			CROSSMEMBER, Rear Suspension
11	55235 696AD	1			SILL, Rear, Right
12	55235 697AD	1			SILL, Rear, Left
13	5517 5178	1			SILL, Rear Cross
14	5517 5228	1			REINFORCEMENT, Liftgate Opening
15	5700 0022	1			SUPPORT, Fuel Tank, Right
16	5500 2935	1			SUPPORT, Fuel Tank, Left
17	55235 554AC	2			SILL, Body Side, Center
18	J400 1701	7			SCREW, Hex Self Tapping, .19-16x.50
19	5523 5716	2			PLUG, Floor
20	5300 0704	1			COVER, Gearshift, Automatic Transmission
21	J400 1701	7			SCREW, Hex Self Tapping, .19-16x.50
22	5500 6579	3			PLUG, Body, 38.1mm Diameter
23	5501 0460	1	B, T		COVER, Floor Pan
24					SCREW, M5x0.8x25.00, (NOT SERVICED)
25	4586 052	2			PLUG
26	5500 1903	1			BRACKET, Jack
27					BRACE, Liftgate Opening
	55345 172AB	1			Right
	55345 173AB	1			Left
28					REINFORCEMENT, Front Seat
	55174 756AB	1			Right
	55174 759AB	1			Left
29	55257 380AA	6			PLUG
30					CROSSMEMBER, Transmission
	52002 328AC	1	B, U		2.5L, All Manual
	52003 929AC	1			4.0L, Manual 5 Speed
	52058 643AD	1	J, T		2.5L, All Manual
	52058 682AB	1			Turbo, Diesel
	52059 345AA	1			4.0L, Automatic
31	55003 285AB	1			SHIELD, Heat
-32	55235 831AB	1			REINFORCEMENT, Rear Floor Pan
33					REINFORCEMENT, Seat Belt Anchor
	5523 5028	1			Right

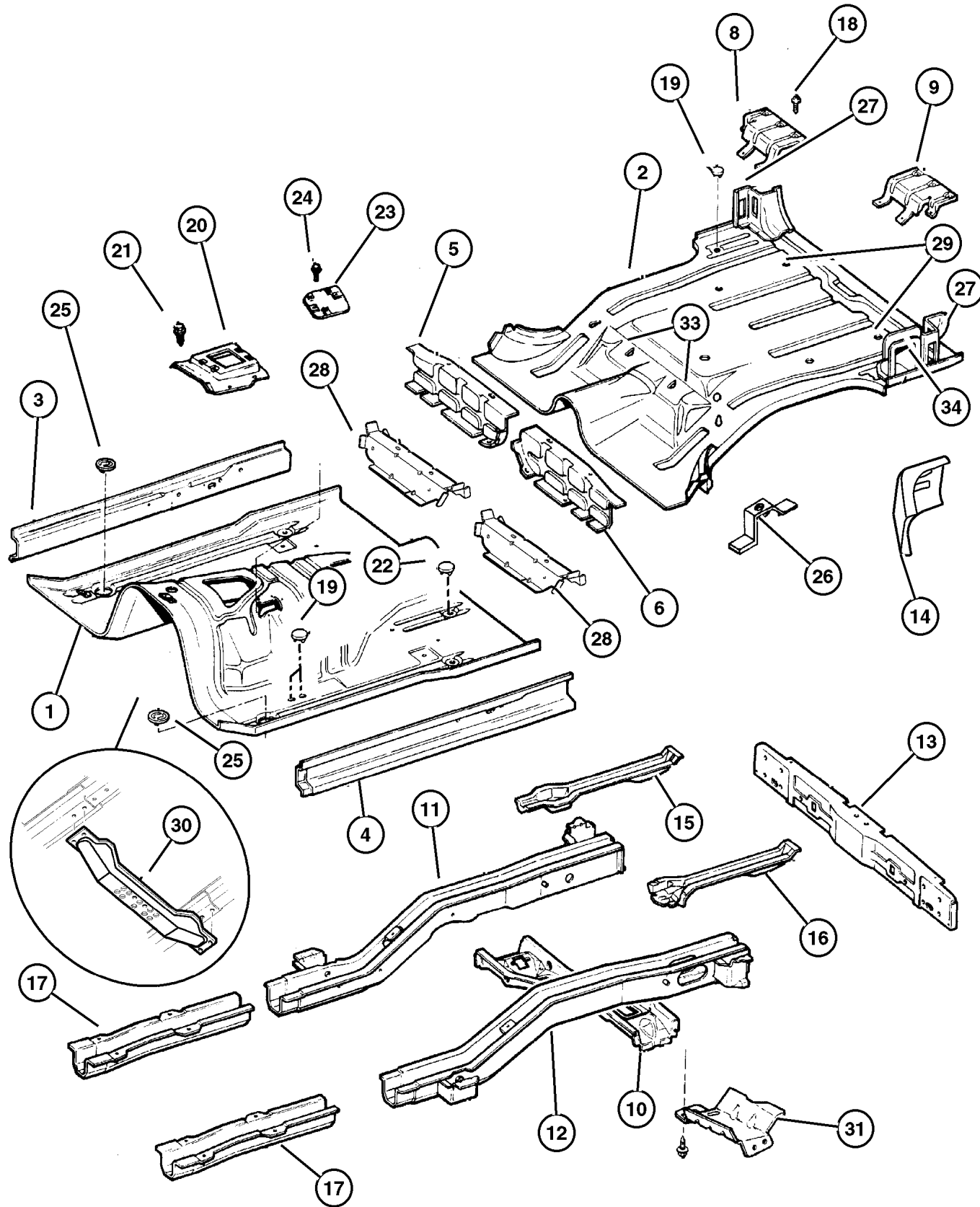
JEEP CHEROKEE (XJ)

SERIES	LINE	BODY	ENGINE	TRANSMISSION
P=Classic	J=LHD (4WD)	74=4 Dr.(101.4WB)	ENC,EN0=2.5L 4 cyl. Turbo Die	DDD, DDQ=5 spd. Man.
S=Limited	U=RHD (4WD)	72=2 Dr.(101.4WB)	ERH,ER0=4.0L Power Tech I-6	DGS=4 spd. Auto. AISIN
H=Sport	T=LHD (2WD)		EPE,EP0=Magnum 2.5L SMPI	DG0=All Auto/Trans.
L=SE	B=RHD (2WD)			DBB=All Manual Trans.

AR = Use as required - = Non illustrated part # = New this model year

April 5, 2002

Pans, Floor  
Figure SXJ-210



ITEM	PART NUMBER	QTY	LINE	BODY	DESCRIPTION
	55235 029AB	1			Left
34					EXTENSION, Rear Floor Pan
	5517 5960	1		74	Right
		1	J, T, U	72	Right
	5517 5961	1		74	Left
		1	J, T, U	72	Left

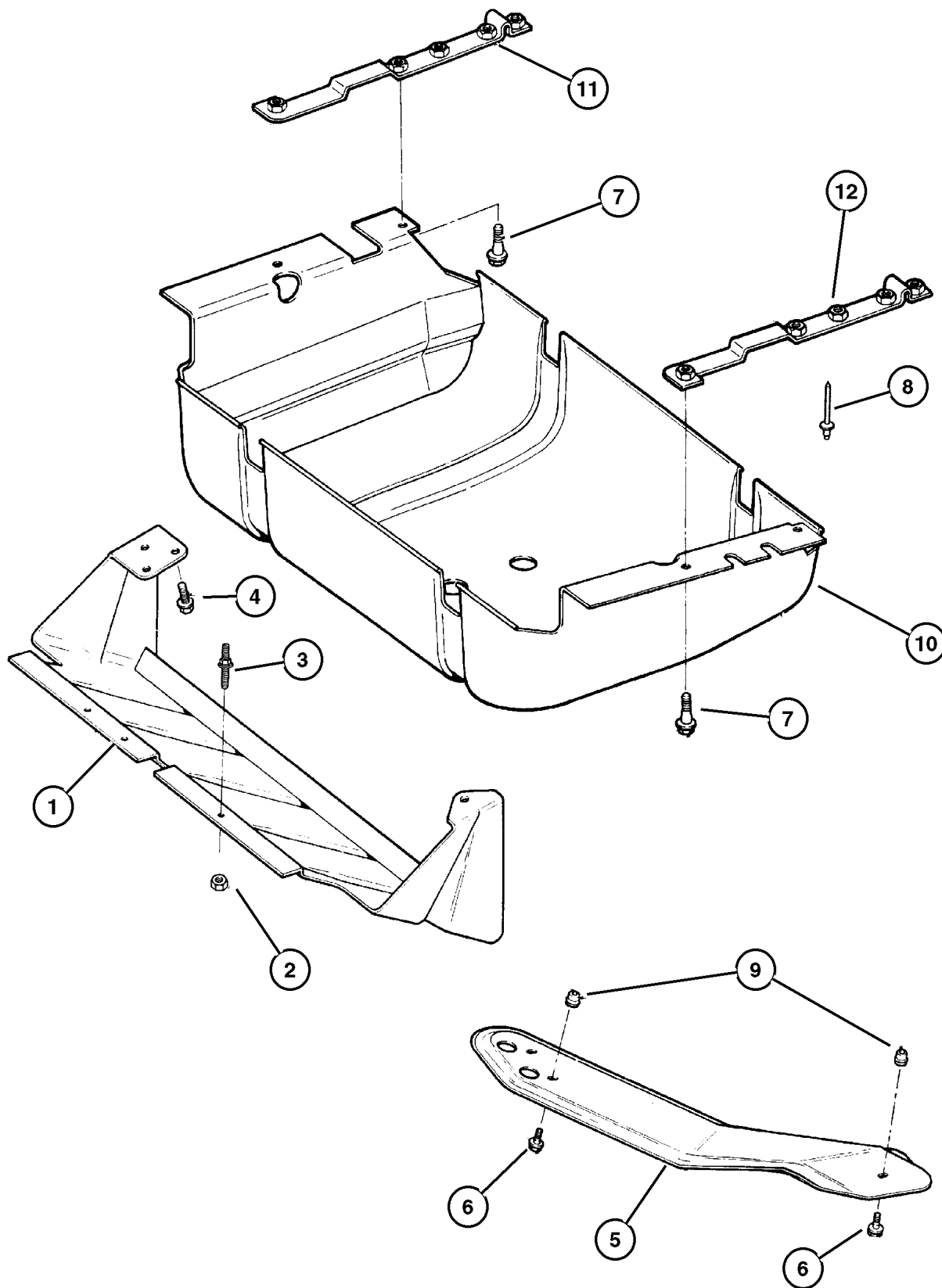
JEEP CHEROKEE (XJ)		BODY	ENGINE	TRANSMISSION
SERIES	LINE	74=4 Dr.(101.4WB)	ENC,EN0=2.5L 4 cyl. Turbo Die	DDD, DDQ=5 spd. Man.
P=Classic	J=LHD (4WD)	72=2 Dr.(101.4WB)	ERH,ER0=4.0L Power Tech I-6	DGS=4 spd. Auto. AISIN
S=Limited	U=RHD (4WD)		EPE,EP0=Magnum 2.5L SMPI	DG0=All Auto/Trans.
H=Sport	T=LHD (2WD)			DBB=All Manual Trans.
L=SE	B=RHD (2WD)			

AR = Use as required - = Non illustrated part # = New this model year

April 5, 2002

Plates, Underbody Skid  
Figure SXJ-220

ITEM	PART NUMBER	QTY	LINE	BODY	DESCRIPTION
1	8220 2851	1			PLATE PACKAGE, Skid - Front
2	J420 0046	3			NUT AND WASHER, Hex Flange, M8x1.25
3	6505 888AA	3			STUD
4	3420 1540	4			BOLT AND WASHER, Implement Attaching
5	8220 5147	1	J	72, 74	PLATE PACKAGE, Skid - Transfer Case
6	1150 2850	4			BOLT, Hex Flange Head, M8x1.25x20
7	3420 1964	4			BOLT, Hex Flange Head, M12x1.75x40
8					RIVET, .250x.475, (NOT SERVICED)
9	3420 1575	2	J, U		NUT, Insert, M8 x 1.25 x 18.29
10	52100 328AA	1			PLATE, Skid
11	5200 1174	1			REINFORCEMENT, Sill, Right
12	5200 1175	1			REINFORCEMENT, Sill, Left

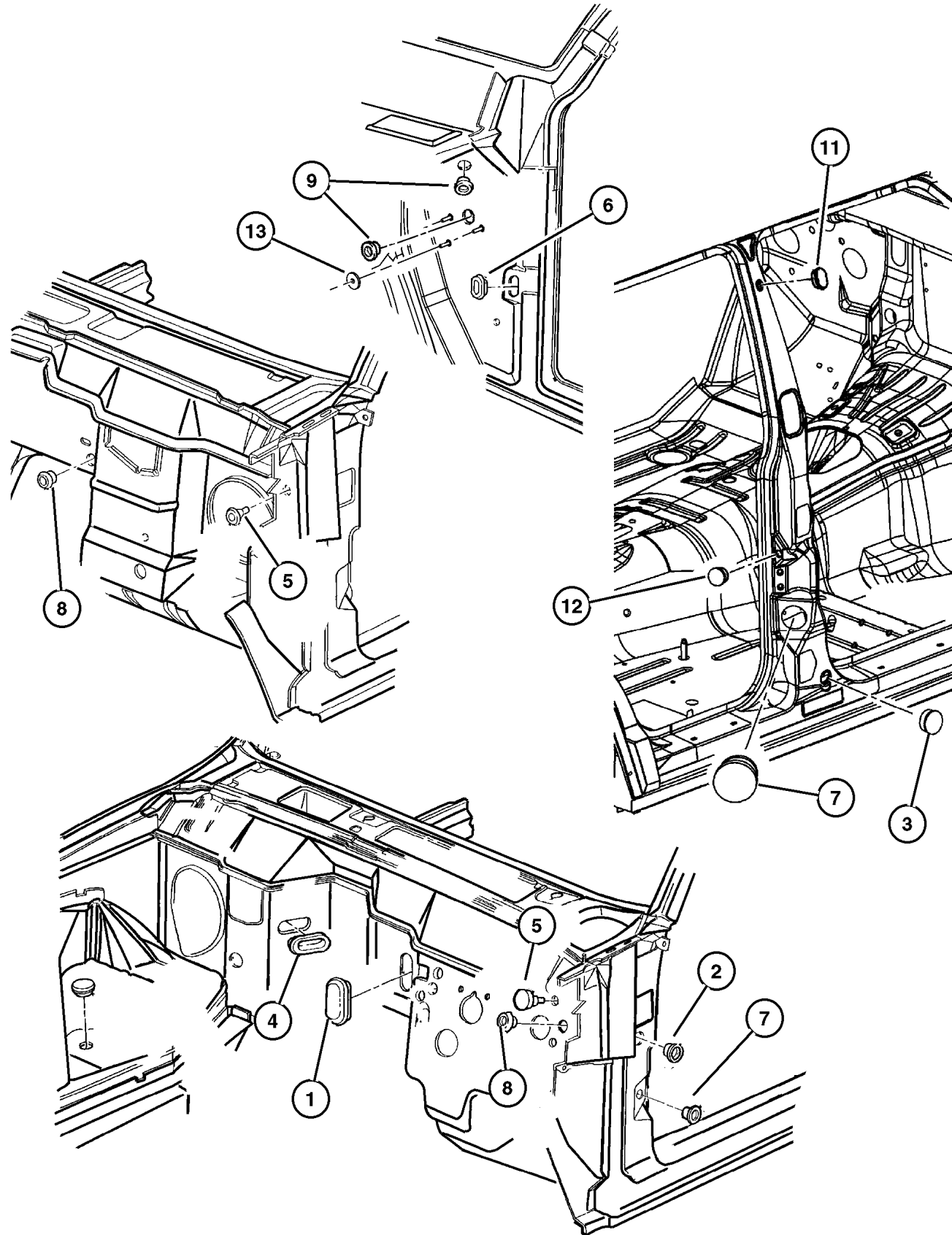


JEEP CHEROKEE (XJ)				
SERIES	LINE	BODY	ENGINE	TRANSMISSION
P=Classic	J=LHD (4WD)	74=4 Dr.(101.4WB)	ENC,EN0=2.5L 4 cyl. Turbo Die	DDD, DDQ=5 spd. Man.
S=Limited	U=RHD (4WD)	72=2 Dr.(101.4WB)	ERH,ER0=4.0L Power Tech I-6	DGS=4 spd. Auto. AISIN
H=Sport	T=LHD (2WD)		EPE,EP0=Magnum 2.5L SMPI	DG0=All Auto/Trans.
L=SE	B=RHD (2WD)			DBB=All Manual Trans.

AR = Use as required - = Non illustrated part # = New this model year

April 5, 2002

## Plugs Figure SXJ-310



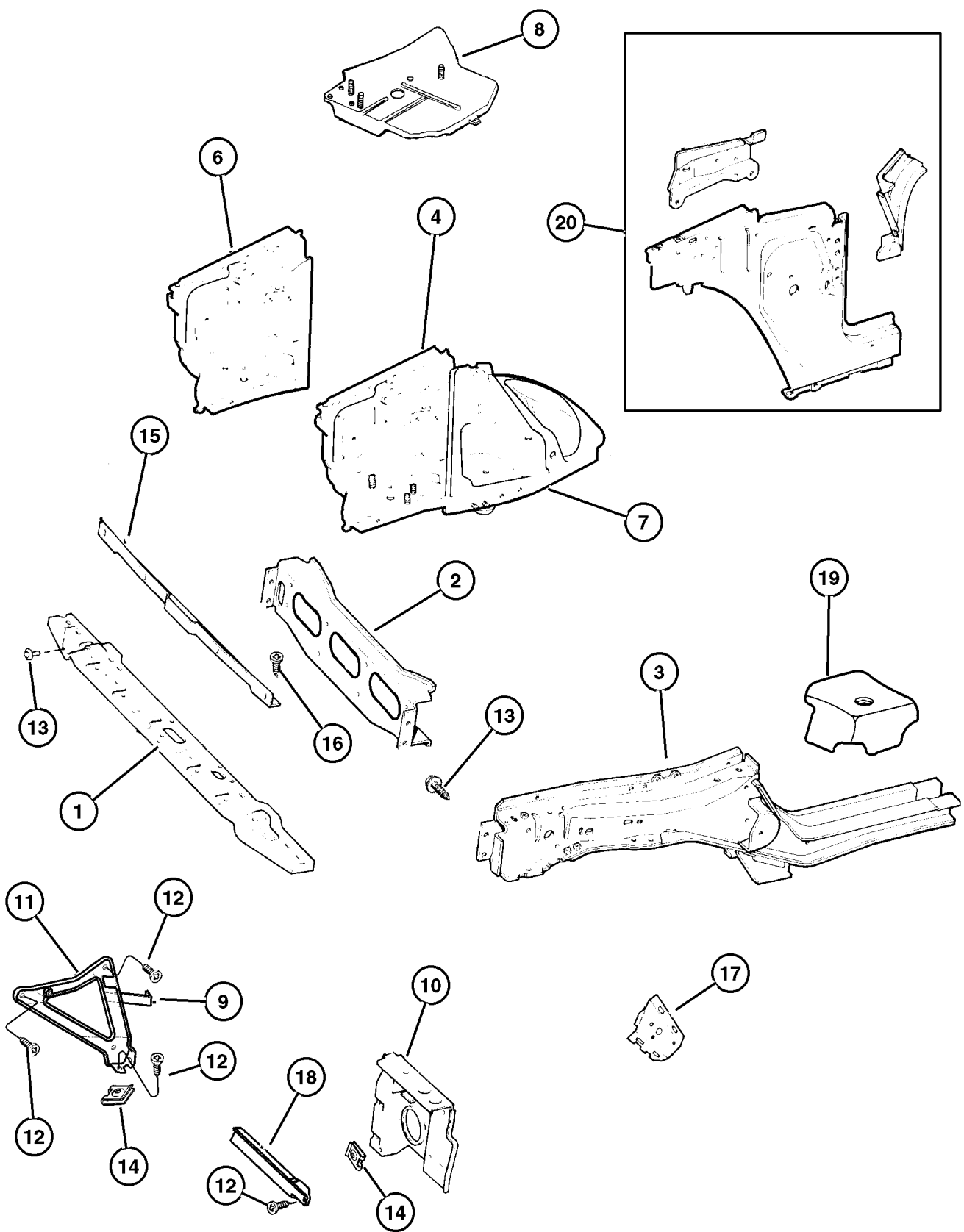
ITEM	PART NUMBER	QTY	LINE	BODY	DESCRIPTION
1	3420 2215	1	B, J, U		PLUG, Dash Panel
2	J400 0377	2			PLUG, Floor Pan, 1.00 Diameter
3	J400 0377	2			PLUG, Floor Pan, 1.00 Diameter
4	6502 246	1			PLUG, Body, 4.0mm X 76.4mm
5					PLUG, (NOT SERVICED)
6					PLUG, Body, 25.4mm x 39mm, (NOT REQUIRED)
7	5500 2367	2			PLUG, Door Wiring Conduit
8	6034 362	1			PLUG, Body, 31.9mm Diameter
9	55275 493AA	2			PLUG, Body
-10	4586 055	2			PLUG, Floor Pan
11	1774 076	2		74	PLUG
12	4373 728	2			PLUG
13	55235 952AA	3			WASHER, Sealing

JEEP CHEROKEE (XJ)				
SERIES	LINE	BODY	ENGINE	TRANSMISSION
P=Classic	J=LHD (4WD)	74=4 Dr.(101.4WB)	ENC,EN0=2.5L 4 cyl. Turbo Die	DDD, DDQ=5 spd. Man.
S=Limited	U=RHD (4WD)	72=2 Dr.(101.4WB)	ERH,ER0=4.0L Power Tech I-6	DGS=4 spd. Auto. AISIN
H=Sport	T=LHD (2WD)		EPE,EP0=Magnum 2.5L SMPI	DG0=All Auto/Trans.
L=SE	B=RHD (2WD)			DBB=All Manual Trans.

AR = Use as required - = Non illustrated part # = New this model year

April 5, 2002

**Panels, Front End Inner and Wheelhouse**  
**Figure SXJ-410**



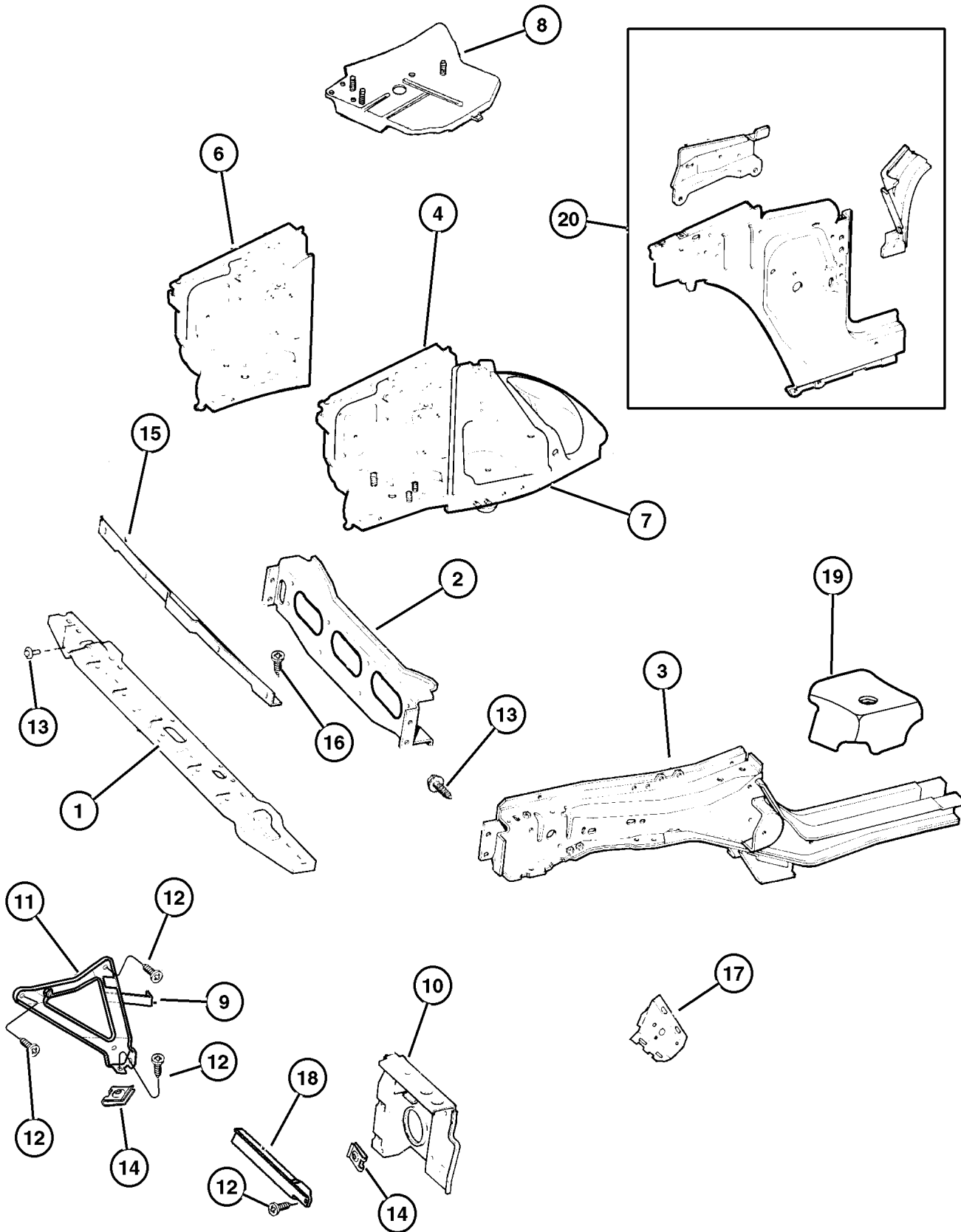
ITEM	PART NUMBER	QTY	LINE	BODY	DESCRIPTION
1	55235 830AA	1			CROSSMEMBER, Radiator
2	5517 4978	1			CROSSMEMBER, Front Suspension
3					PANEL, Sill
	4798 084AB	1	J, T		Right
	4897 136AB	1	B, U		Right
	4897 137AB	1	B, U		Left
	4798 085AB	1	J, T		Left
4					WHEELHOUSE, Front Inner
	5517 5636	1	B, U		Right
	5517 5637	1	B, U		Left
	55175 640AB	1	J, T		Right
	55235 517AB	1	J, T		Left
-5	9428 962	3	B, U		SCREW, Internal Weld Stud, .250x20x.625
6					PANEL, Front Wheelhouse
	55235 624AB	1			Right
	55235 625AB	1			Left
7					SUPPORT, Shock Absorber
	5517 4992	1			Right
	5517 4993	1			Left
	5517 5003	1			Includes 55174993 & 6503267 Screw, Left
8					REINFORCEMENT, Battery Tray
	5501 5210	1			Diesel,Left Side
	5523 5293	1			REINFORCEMENT, Sill
9	5501 9221	2			BAFFLE, Radiator
10					
	55235 220AD	1			Right
	55235 221AD	1			Left
11					REINFORCEMENT, Sill
	55013 176AB	1			Right
	55013 177AB	1			Left
12	3420 2575	2			SCREW AND WASHER, Hex Head
13					SCREW AND CONED WASHER, Hex Head, M6x1.00x16.00
	3420 1808	AR	J, U		
		AR	B, T		
14	6504 118	3			U-NUT, M6 x 1.00, M6x1.00
15	55010 074AC	1			BRACKET, Grille
16	6503 259	4			SCREW, Tapping, M6x1x20
17					REINFORCEMENT, Sill
	5500 6948	1			Right
	5500 6949	1			Left
18					REINFORCEMENT, Radiator Baffle, Serviced With BAFFLE, Radiator, (NOT SERVICED)
19					REINFORCEMENT, Spring and Shock

<b>JEEP CHEROKEE (XJ)</b>				
SERIES	LINE	BODY	ENGINE	TRANSMISSION
P=Classic	J=LHD (4WD)	74=4 Dr.(101.4WB)	ENC,EN0=2.5L 4 cyl. Turbo Die	DDD, DDQ=5 spd. Man.
S=Limited	U=RHD (4WD)	72=2 Dr.(101.4WB)	ERH,ER0=4.0L Power Tech I-6	DGS=4 spd. Auto. AISIN
H=Sport	T=LHD (2WD)		EPE,EP0=Magnum 2.5L SMPI	DG0=All Auto/Trans.
L=SE	B=RHD (2WD)			DBB=All Manual Trans.

AR = Use as required - = Non illustrated part # = New this model year

April 5, 2002

**Panels, Front End Inner and Wheelhouse  
Figure SXJ-410**



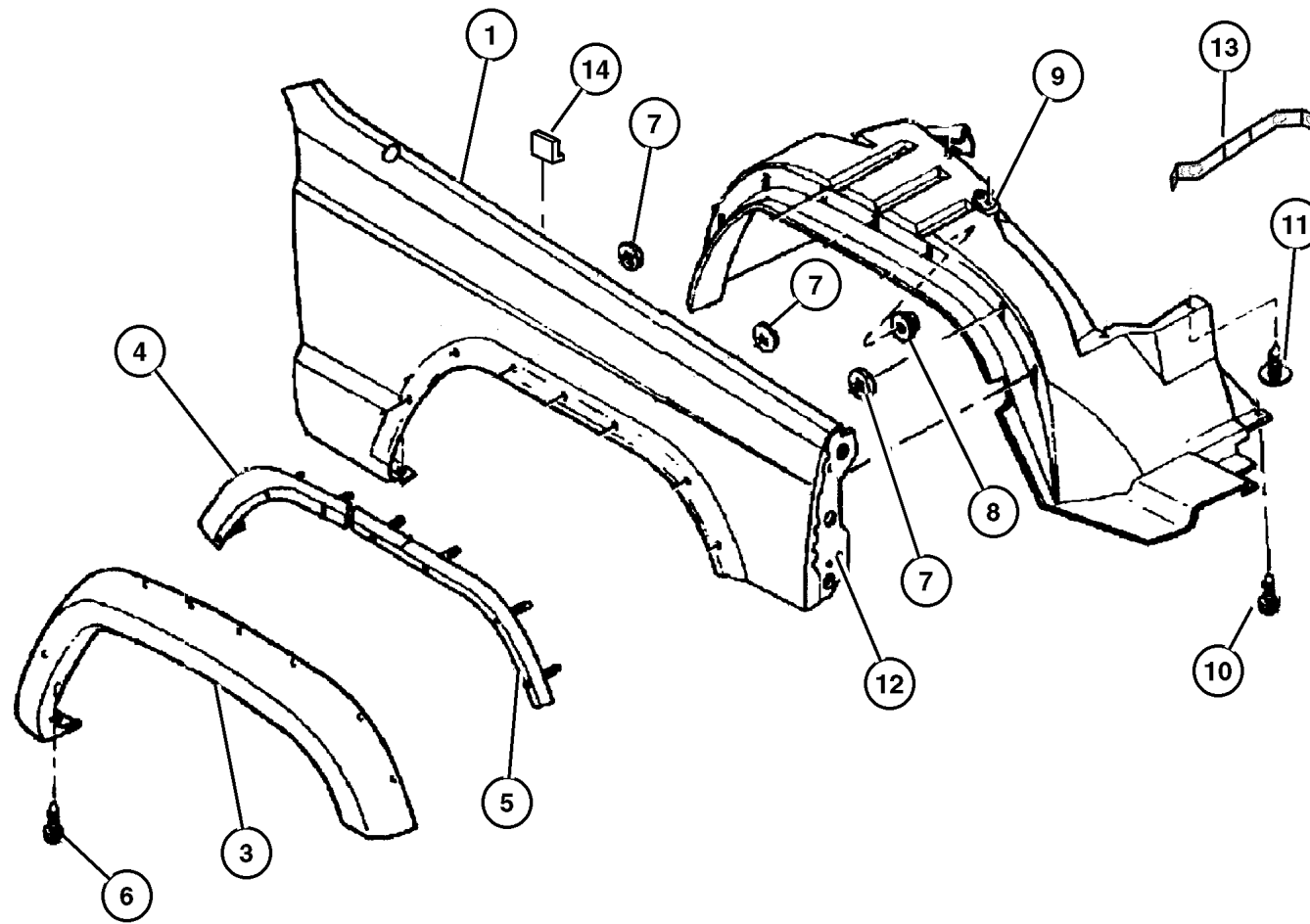
ITEM	PART NUMBER	QTY	LINE	BODY	DESCRIPTION
	5534 6022	1			Right
	5534 6023	1			Left
20					REINFORCEMENT, Pillar And Cowl
	5517 5194	1			Right
	5517 5195	1			Left

JEEP CHEROKEE (XJ)				
SERIES	LINE	BODY	ENGINE	TRANSMISSION
P=Classic	J=LHD (4WD)	74=4 Dr.(101.4WB)	ENC,EN0=2.5L 4 cyl. Turbo Die	DDD, DDQ=5 spd. Man.
S=Limited	U=RHD (4WD)	72=2 Dr.(101.4WB)	ERH,ER0=4.0L Power Tech I-6	DGS=4 spd. Auto. AISIN
H=Sport	T=LHD (2WD)		EPE,EP0=Magnum 2.5L SMPI	DG0=All Auto/Trans.
L=SE	B=RHD (2WD)			DBB=All Manual Trans.

AR = Use as required - = Non illustrated part # = New this model year

April 5, 2002

## Fenders, Front Figure SXJ-420



ITEM	PART NUMBER	QTY	LINE	BODY	DESCRIPTION
Sles Code : [ARU]= [SE] Decor nmission					
1					FENDER, Front
	56022 320AA	1			Right
	56022 321AA	1			Left
	56022 322AA	1	J, U		Right,Export
	56022 323AA	1	J, U		Left,Export
-2	1150 3745	2			NUT, Hex, M6x1
3					APPLIQUE, Fender Wheel Opening
	5FW72 DX9AD	1			Flat Black, SE Decor, [ARU], [K3Z], Right
	5FW73 DX9AD	1			Flat Black, SE Decor, [ARU], [K3Z], Left
	5FW70 DX8AD	1			Glossy Black, [K3X], Right
	5FW70 PR4AD	1			Flame Red, [K3R], Right
	5FW70 RJPAD	1			Medium Fern Green, [K3M], Right
	5FW70 SG8AD	1			Forest Green, [K3G], Right
	5FW70 SW1AD	1			Stone White, [K3N], Right
	5FW70 WBTAD	1			Patroit Blue, [K3B], Right
	5FW70 WTDAD	1			Dessert Sand, [K3S], Right
	5FW70 WU7AD	1			Sienna, [K3U], Right
	5FW70 XS5AD	1			Silvertone, [K3L], Right
	5FW71 DX8AD	1			Glossy Black, [K3X], Left
	5FW71 PR4AD	1			Flame Red, [K3R], Left
	5FW71 RJPAD	1			Medium Fern Green, [K3M], Left
	5FW71 SG8AD	1			Forest Green, [K3G], Left
	5FW71 SW1AD	1			Stone White, [K3N], Left
	5FW71 WBTAD	1			Patroit Blue, [K3B], Left
	5FW71 WTDAD	1			Dessert Sand, [K3S], Left
	5FW71 WU7AD	1			Sienna, [K3U], Left
	5FW71 XS5AD	1			Silvertone, [K3L], Left
4					RETAINER, Applique
	55155 674AB	1			Right
	55155 675AB	1			Left
5					RETAINER, Applique
	55155 676AE	1			Right
	55155 677AE	1			Left
6	6035 322	2			SCREW
7	6505 049AA	6			NUT, M5
8	J420 0408	14			NUT AND WASHER, Hex Nut-Coned Washer, M5 x 0.80
9					WHEELHOUSE, Front Inner
	55175 896AD	1			Right
	55175 897AD	1			Left
10	3420 2575	2			SCREW AND WASHER, Hex Head
11	6030 441	14			PIN, Retainer
12					BRACKET, Fender

### JEEP CHEROKEE (XJ)

SERIES	LINE	BODY	ENGINE	TRANSMISSION
P=Classic	J=LHD (4WD)	74=4 Dr.(101.4WB)	ENC,EN0=2.5L 4 cyl. Turbo Die	DDD, DDQ=5 spd. Man.
S=Limited	U=RHD (4WD)	72=2 Dr.(101.4WB)	ERH,ER0=4.0L Power Tech I-6	DGS=4 spd. Auto. AISIN
H=Sport	T=LHD (2WD)		EPE,EP0=Magnum 2.5L SMPI	DG0=All Auto/Trans.
L=SE	B=RHD (2WD)			DBB=All Manual Trans.

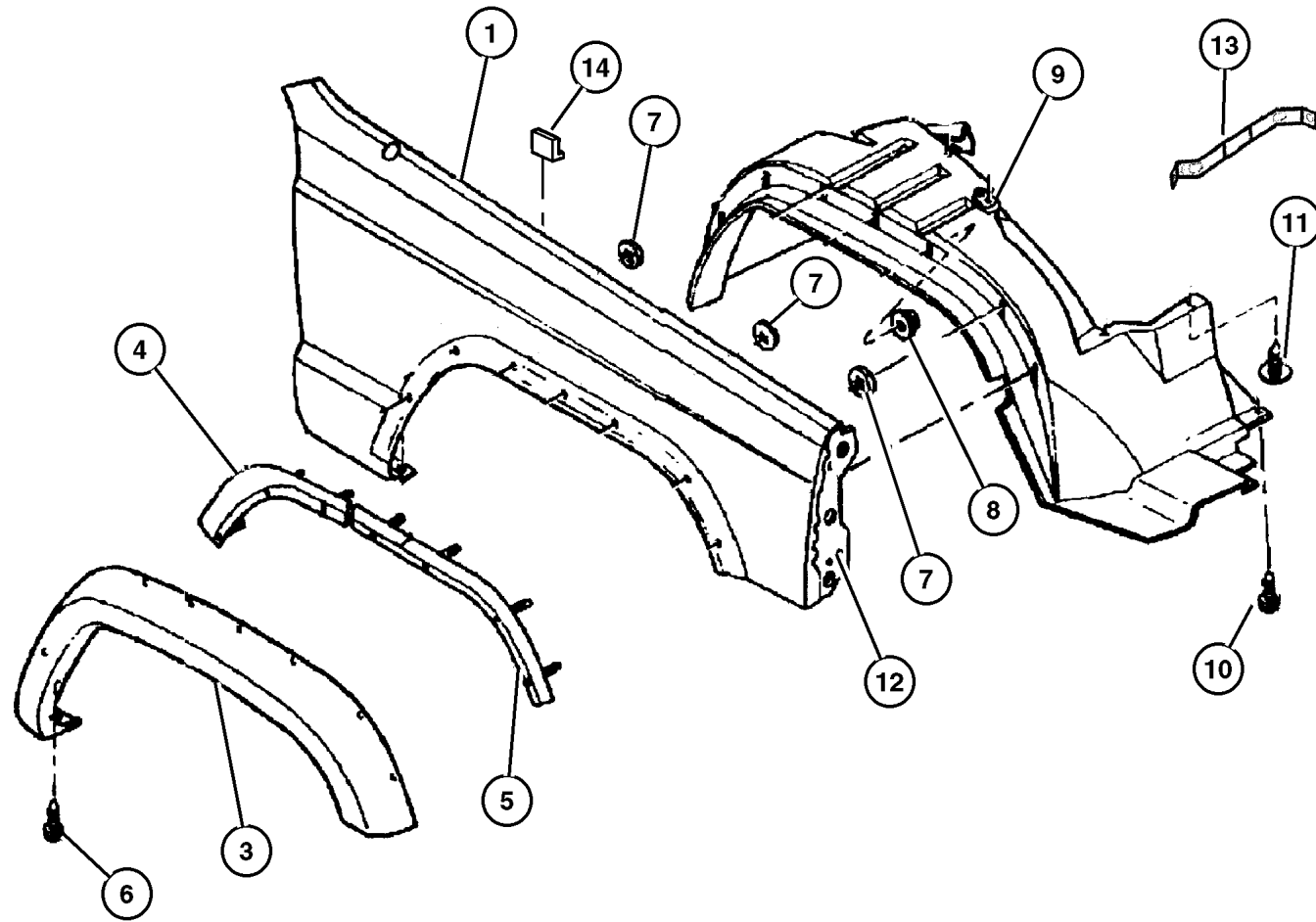
AR = Use as required - = Non illustrated part # = New this model year

April 5, 2002



Fenders, Front  
Figure SXJ-420

ITEM	PART NUMBER	QTY	LINE	BODY	DESCRIPTION
	55175 586AB	1			Extension to Baffle, Right
	55175 587AB	1			Extension to Baffle, Left
13	5500 3652	2			BRACKET, Fender, Wheelhouse To Support Spring Shock
14	J368 9548	2			BUMPER, Hood, Fender to Hood

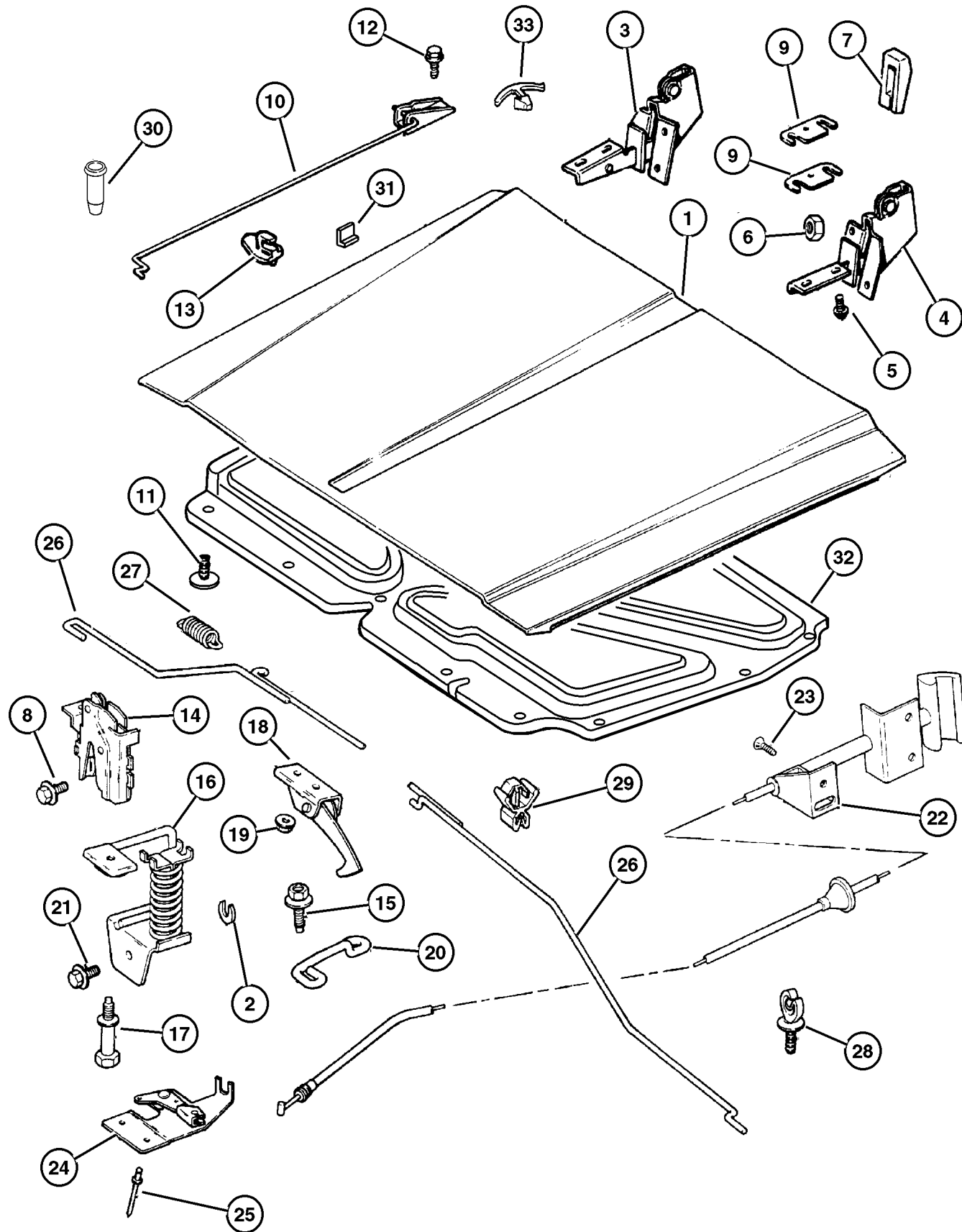


JEEP CHEROKEE (XJ)				
SERIES	LINE	BODY	ENGINE	TRANSMISSION
P=Classic	J=LHD (4WD)	74=4 Dr.(101.4WB)	ENC,EN0=2.5L 4 cyl. Turbo Die	DDD, DDQ=5 spd. Man.
S=Limited	U=RHD (4WD)	72=2 Dr.(101.4WB)	ERH,ER0=4.0L Power Tech I-6	DGS=4 spd. Auto. AISIN
H=Sport	T=LHD (2WD)		EPE,EP0=Magnum 2.5L SMPI	DG0=All Auto/Trans.
L=SE	B=RHD (2WD)			DBB=All Manual Trans.

AR = Use as required - = Non illustrated part # = New this model year

April 5, 2002

## Hood, Latch and Hinges Figure SXJ-510



ITEM	PART NUMBER	QTY	LINE	BODY	DESCRIPTION
1	55235 439AB	1			HOOD
2	3420 2581	AR			SPACER, Hood Latch
3	55235 724AB	1			HINGE, Hood, Right
4	55235 725AB	1			HINGE, Hood, Left
5	6100 576	4			SCREW AND WASHER, Hex Head, M8-1.25x30
6	6100 048	6			NUT, Hex, M6x1.00
7	5500 1982	2			SEAL, Hood Hinge
8	3420 2005	2			SCREW, Pan Head Torx, M6x1x14
9	J068 0435	AR			SHIM, Hood Hinge
10	5501 7480	1			ROD, Hood Prop
11	4103 165	1			BUMPER, Hood Crossmember to Hood Adjust
	J368 9548	2			Hood Front Fender Side
12	3420 1807	2			BOLT, Hex Flange Head, M6x1.00x16
13	5507 5480	1			CLIP, Prop Rod
14	55235 523AC	2			LATCH, Hood
15	6504 641	2			SCREW AND WASHER, Button Head Torx
16	5507 5884	2			STRIKER, Hood Latch
17	6503 963	2			BOLT AND CONED WASHER, Hex Head, M8x1.25x58.28
18	55009 998AE	1			HOOK, Hood Safety Catch
19	3420 1680	2			NUT, Hex Flange, M6x1
20	55009 999AB	1			STRIKER, Hood Safety Catch
21	6504 641	2			SCREW AND WASHER, Button Head Torx
22	55235 270AD	1	B, U		CABLE, Hood Release
	55235 483AB	1	J, T		
23	6504 997AA	3	J, T		SCREW
24	55074 526AC	1			BELLCRANK, Hood Release
25	3420 1208	2			RIVET, M4.8x13.23
26	5507 5442	1			ROD, Hood Latch
27	5502 9718	1			SPRING, Hood Latch
28	3200 0404	3	B, U		CLIP, Tube
		2	J, T		
29	3420 2688	2			CLIP, Latch&Line
30	6505 175AA	2			NUT, Rivet
31	J368 9548	2			BUMPER, Hood, Hood Front Fender Side
32	55217 068AE	1			INSULATION, Hood
33	6003 351	13			RETAINER, Hood Insulation, .415x.690

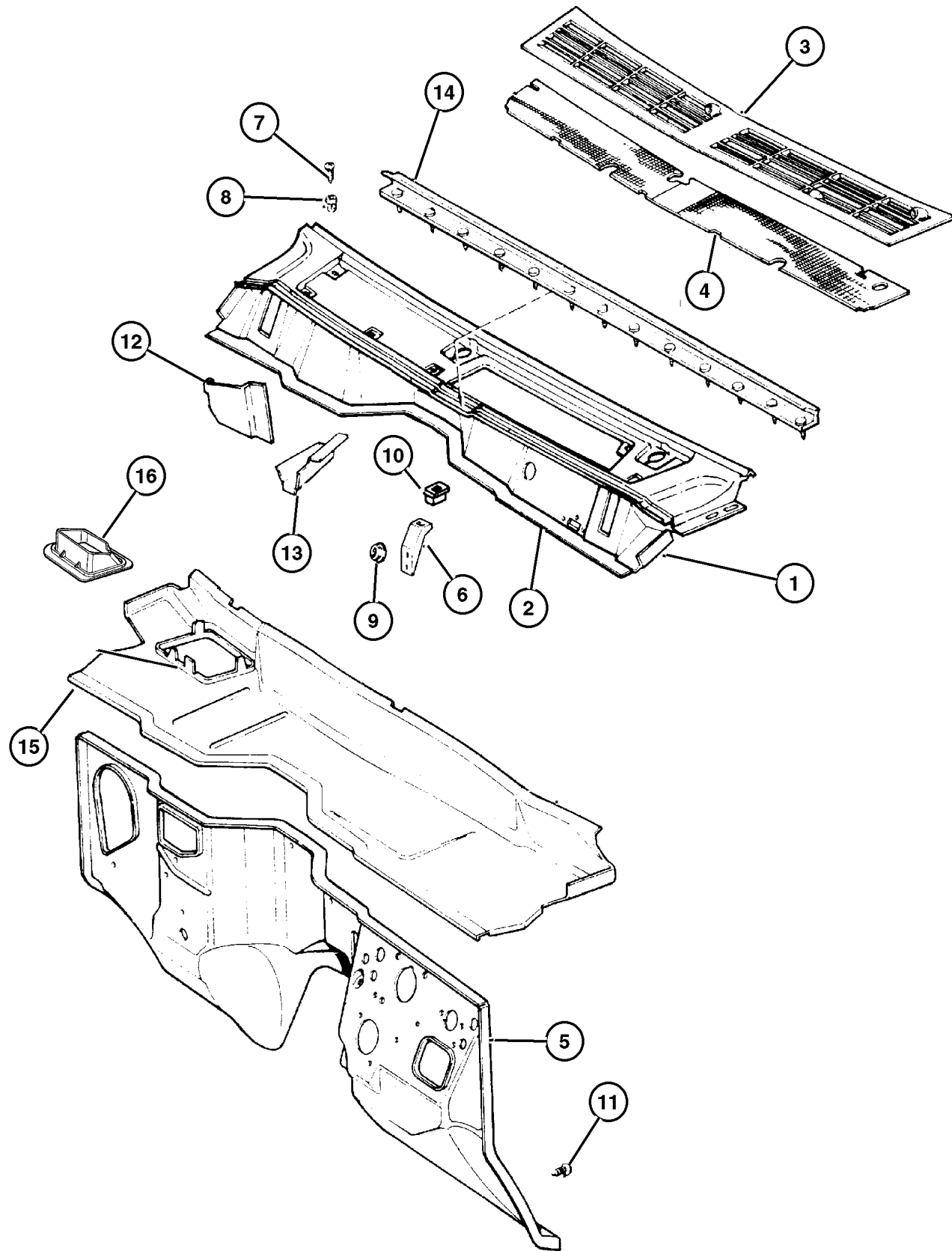
### JEEP CHEROKEE (XJ)

SERIES	LINE	BODY	ENGINE	TRANSMISSION
P=Classic	J=LHD (4WD)	74=4 Dr.(101.4WB)	ENC,EN0=2.5L 4 cyl. Turbo Die	DDD, DDQ=5 spd. Man.
S=Limited	U=RHD (4WD)	72=2 Dr.(101.4WB)	ERH,ER0=4.0L Power Tech I-6	DGS=4 spd. Auto. AISIN
H=Sport	T=LHD (2WD)		EPE,EP0=Magnum 2.5L SMPI	DG0=All Auto/Trans.
L=SE	B=RHD (2WD)			DBB=All Manual Trans.

AR = Use as required - = Non illustrated part # = New this model year

April 5, 2002

**Panels, Cowl And Dash, L.H.D.  
Figure SXJ-610**



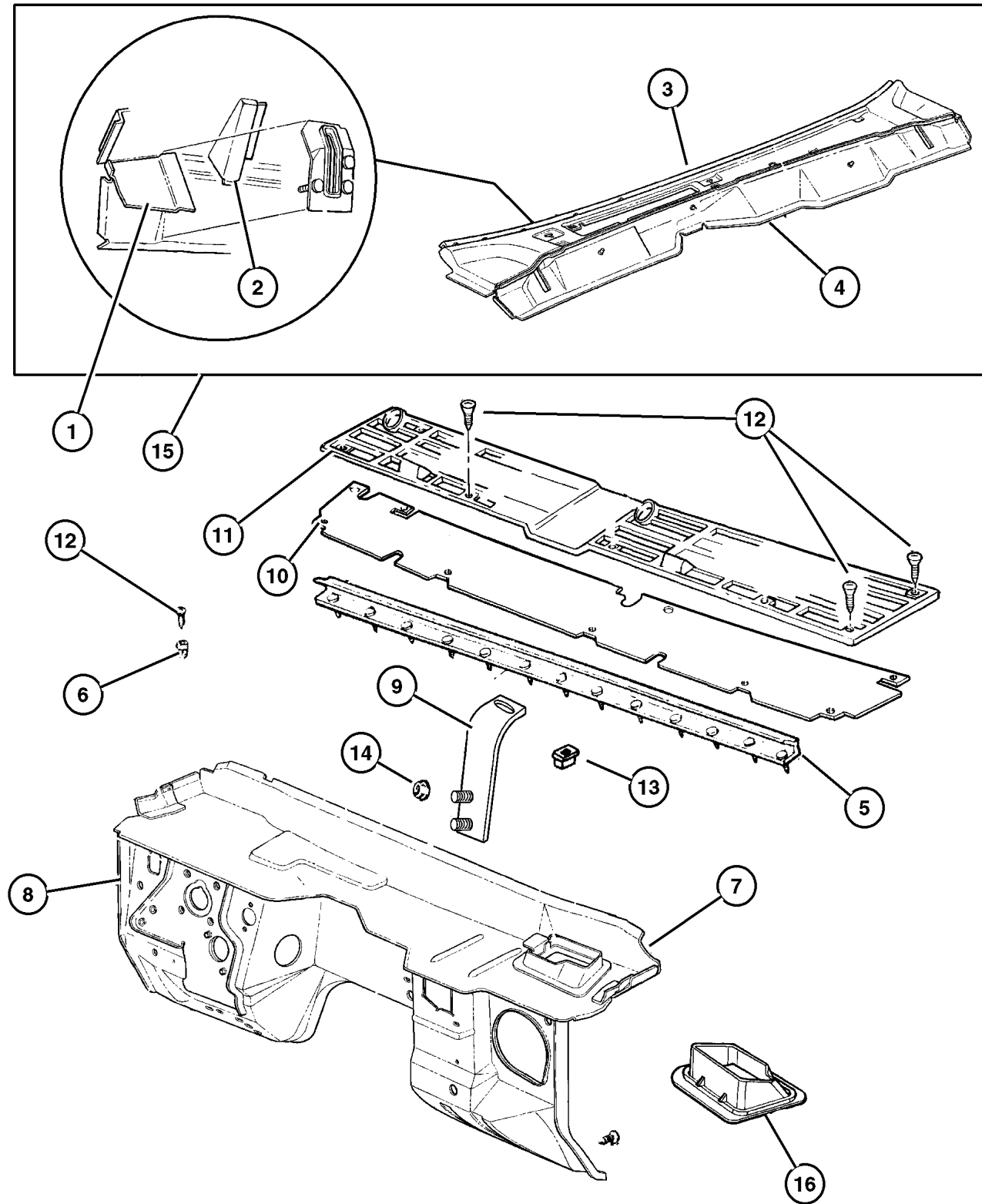
ITEM	PART NUMBER	QTY	LINE	BODY	DESCRIPTION
1	#55175 386AC	1	J, T		PANEL, Cowl
2	#55175 638AB	1	J, T		EXTENSION, Cowl Top
3	55008 832AC	1	J, T		GRILLE, Cowl Panel
4	5500 8833	1	J, T		SCREEN, Cowl
5	55175 378AC	1	J, T		PANEL, Dash
6	55235 370AB	1	J, T		BRACKET, Grille To Cowl Extension
7	3420 1230	7			SCREW, Round Washer Head AB
8	J400 5242	5			NUT, Push
9	3420 1358	2			NUT AND WASHER, Hex Nut-Sealing Washer, M6 x 1.00
10	6505 366AA	1			NUT, Snap In
11					RIVET, Blind Expansion (R-Lok), (NOT SERVICED)
12	5500 6544	1	J, T		SHIELD, Plenum
13	55004 918AB	1	J, T		SHIELD, Cowl
14	55235 178AB	1			SEAL, Hood To Cowl
15	55175 964AB	1	J, T		PANEL, Cowl And Plenum
16	55037 128AB	1	J, T		BAFFLE, Air Inlet

JEEP CHEROKEE (XJ)				
SERIES	LINE	BODY	ENGINE	TRANSMISSION
P=Classic	J=LHD (4WD)	74=4 Dr.(101.4WB)	ENC,EN0=2.5L 4 cyl. Turbo Die	DDD, DDQ=5 spd. Man.
S=Limited	U=RHD (4WD)	72=2 Dr.(101.4WB)	ERH,ER0=4.0L Power Tech I-6	DGS=4 spd. Auto. AISIN
H=Sport	T=LHD (2WD)		EPE,EP0=Magnum 2.5L SMPI	DG0=All Auto/Trans.
L=SE	B=RHD (2WD)			DBB=All Manual Trans.

AR = Use as required - = Non illustrated part # = New this model year

April 5, 2002

**Cowl And Dash Panel, R.H.D.  
Figure SXJ-620**



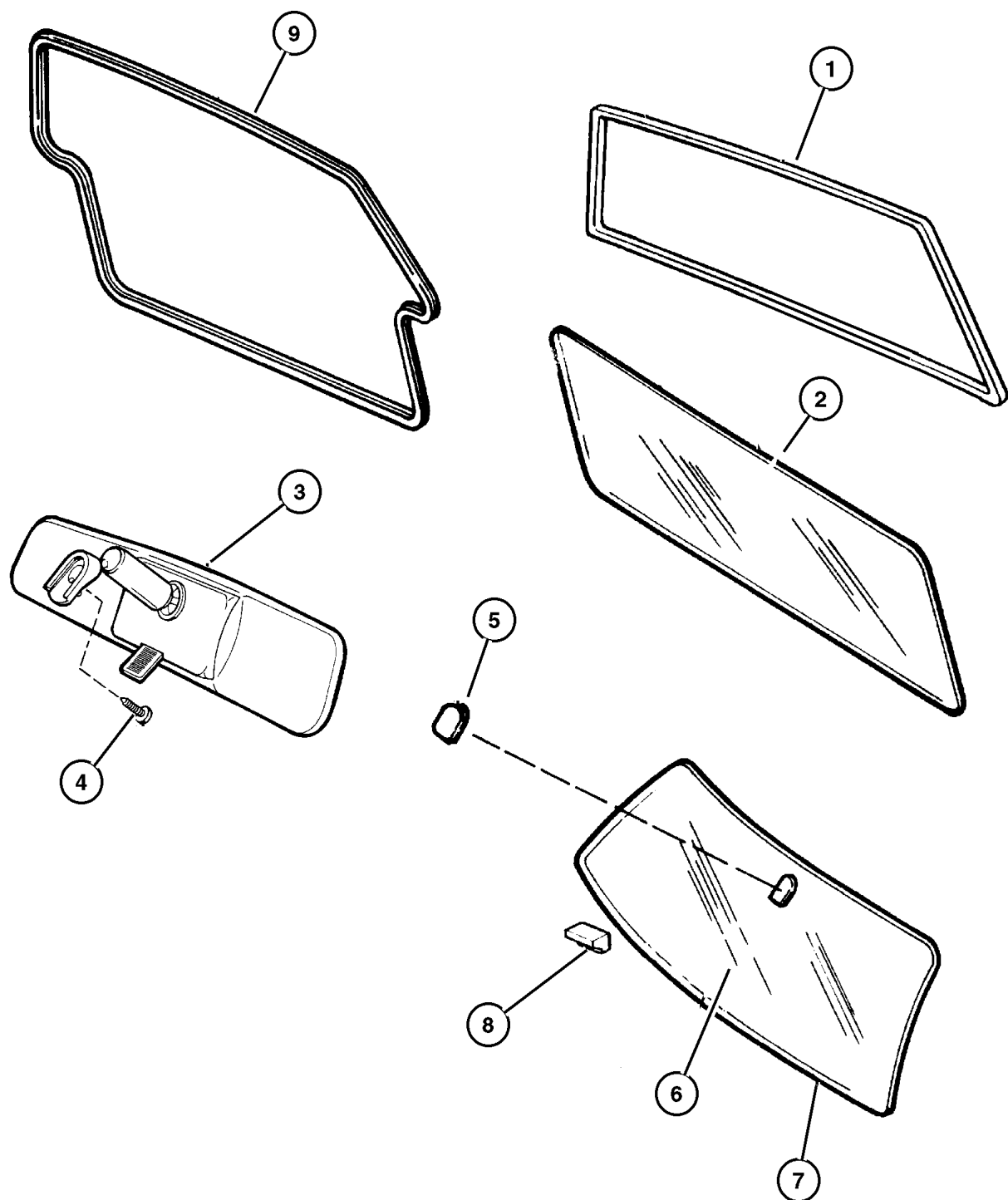
ITEM	PART NUMBER	QTY	LINE	BODY	DESCRIPTION
1	5502 7542	1	B, U		SHIELD, Plenum
2	5502 7543	1	B, U		SHIELD, Cowl
3	#55175 387AC	1	B, U		PANEL, Cowl, Includes Item #4
4	#55175 639AB	1	B, U		EXTENSION, Cowl Top
5	55235 178AB	1			SEAL, Hood To Cowl
6	J400 5242	5			NUT, Push
7	55175 965AB	1	B, U		PANEL, Cowl And Plenum
8	55175 379AC	1	B, U		PANEL, Dash
9	55235 371AB	1	B, U		BRACKET, Extension to Cowl Top
10	5502 7697	1	B, U		SCREEN, Cowl
11	5502 7696	1	B, U		GRILLE, Cowl Panel
12	3420 1230	7			SCREW, Round Washer Head AB
13	6505 366AA	1			NUT, Snap In
14	3420 1358	2			NUT AND WASHER, Hex Nut-Sealing Washer, M6 x 1.00
15	#55175 387AC	1	B, U		PANEL, Cowl
16	55037 127AB	1	B, U		BAFFLE, Air Inlet

JEEP CHEROKEE (XJ)				
SERIES	LINE	BODY	ENGINE	TRANSMISSION
P=Classic	J=LHD (4WD)	74=4 Dr.(101.4WB)	ENC,EN0=2.5L 4 cyl. Turbo Die	DDD, DDQ=5 spd. Man.
S=Limited	U=RHD (4WD)	72=2 Dr.(101.4WB)	ERH,ER0=4.0L Power Tech I-6	DGS=4 spd. Auto. AISIN
H=Sport	T=LHD (2WD)		EPE,EP0=Magnum 2.5L SMPI	DG0=All Auto/Trans.
L=SE	B=RHD (2WD)			DBB=All Manual Trans.

AR = Use as required - = Non illustrated part # = New this model year

April 5, 2002

**Glass, Windshield, Backlite and Mirror  
Figure SXJ-710**



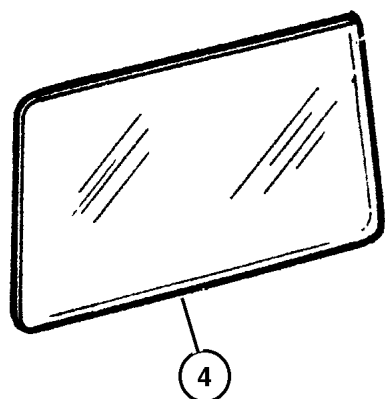
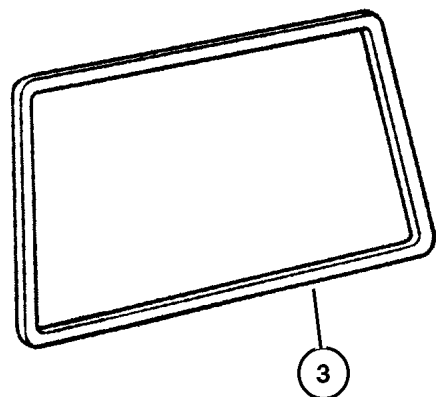
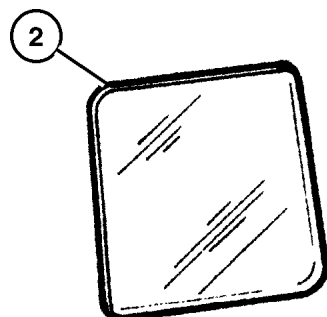
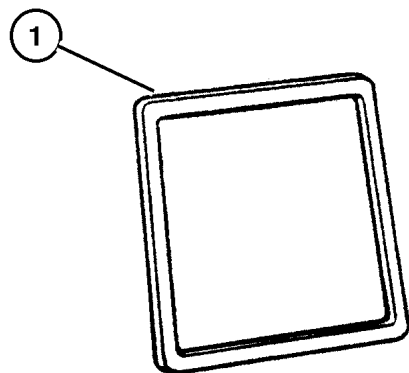
ITEM	PART NUMBER	QTY	LINE	BODY	DESCRIPTION
1	55175 366AD	1			MOLDING, Liftgate
2					BACKLITE
	5517 4950	1			Tinted
	55174 951AB	1			Tint Heated
	55174 952AC	1			Privacy Heated
3	4299 325	1			MIRROR, Inside Rear View
4	6031 094	1			SCREW, Pan Head Tapping, .19-16x.375
5	5507 6401	1			BUTTON, Rear View Mirror
6	55154 994AB	1			WINDSHIELD
7	#55235 391AC	1			MOLDING, Windshield
8	55235 796AA	2			SPACER, Windshield
9	55175 354AE	1			WEATHERSEAL, Full Door To Body

JEEP CHEROKEE (XJ)				
SERIES	LINE	BODY	ENGINE	TRANSMISSION
P=Classic	J=LHD (4WD)	74=4 Dr.(101.4WB)	ENC,EN0=2.5L 4 cyl. Turbo Die	DDD, DDQ=5 spd. Man.
S=Limited	U=RHD (4WD)	72=2 Dr.(101.4WB)	ERH,ER0=4.0L Power Tech I-6	DGS=4 spd. Auto. AISIN
H=Sport	T=LHD (2WD)		EPE,EP0=Magnum 2.5L SMPI	DG0=All Auto/Trans.
L=SE	B=RHD (2WD)			DBB=All Manual Trans.

AR = Use as required - = Non illustrated part # = New this model year

April 5, 2002

**Windows, Quarter, 2 and 4 Doors  
Figure SXJ-720**



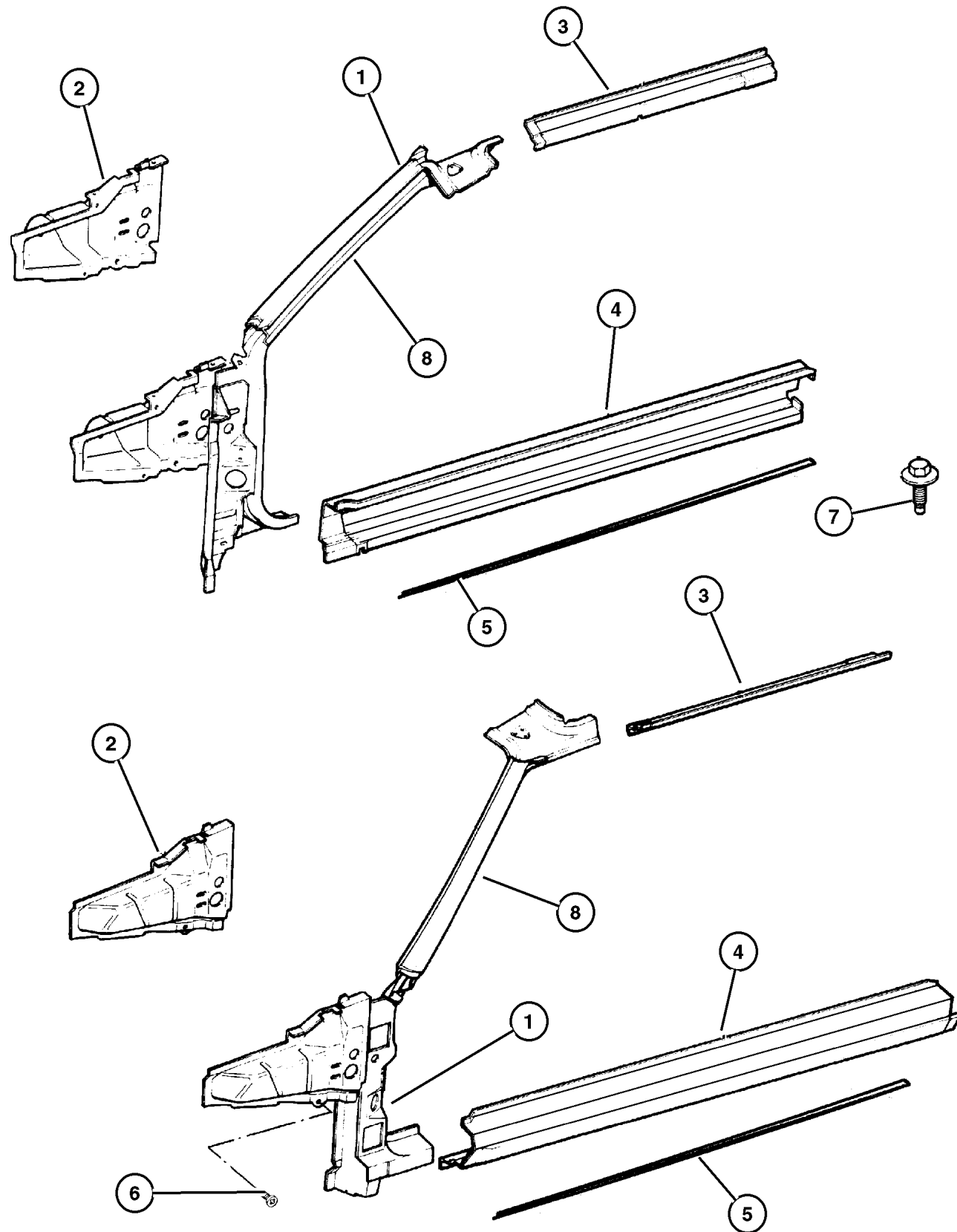
ITEM	PART NUMBER	QTY	LINE	BODY	DESCRIPTION
1					SEAL, Quarter Window
	5500 7128	1		74	Right
	5500 7129	1		74	Left
2					GLASS, Quarter Window
	5500 0700	1		74	Tinted, Right
	5500 0701	1		74	Tinted, Left
	55174 998AB	1		74	Privacy, Right
	55174 999AB	1		74	Privacy, Left
3					SEAL, Quarter Window
	55235 296AB	1	J, T, U	72	Right
	55235 297AB	1	J, T, U	72	Left
4					GLASS, Quarter Window
	5500 0186	1	J, T, U	72	Without Vents, Right
	5500 0187	1	J, T, U	72	Without Vents, Left
	55235 990AA	1	J, T, U	72	Privacy, Right
	55235 991AA	1	J, T, U	72	Privacy, Left

JEEP CHEROKEE (XJ)				
SERIES	LINE	BODY	ENGINE	TRANSMISSION
P=Classic	J=LHD (4WD)	74=4 Dr.(101.4WB)	ENC,EN0=2.5L 4 cyl. Turbo Die	DDD, DDQ=5 spd. Man.
S=Limited	U=RHD (4WD)	72=2 Dr.(101.4WB)	ERH,ER0=4.0L Power Tech I-6	DGS=4 spd. Auto. AISIN
H=Sport	T=LHD (2WD)		EPE,EP0=Magnum 2.5L SMPI	DG0=All Auto/Trans.
L=SE	B=RHD (2WD)			DBB=All Manual Trans.

AR = Use as required - = Non illustrated part # = New this model year

April 5, 2002

**Panels, Body side, 2 Door  
Figure SXJ-810**



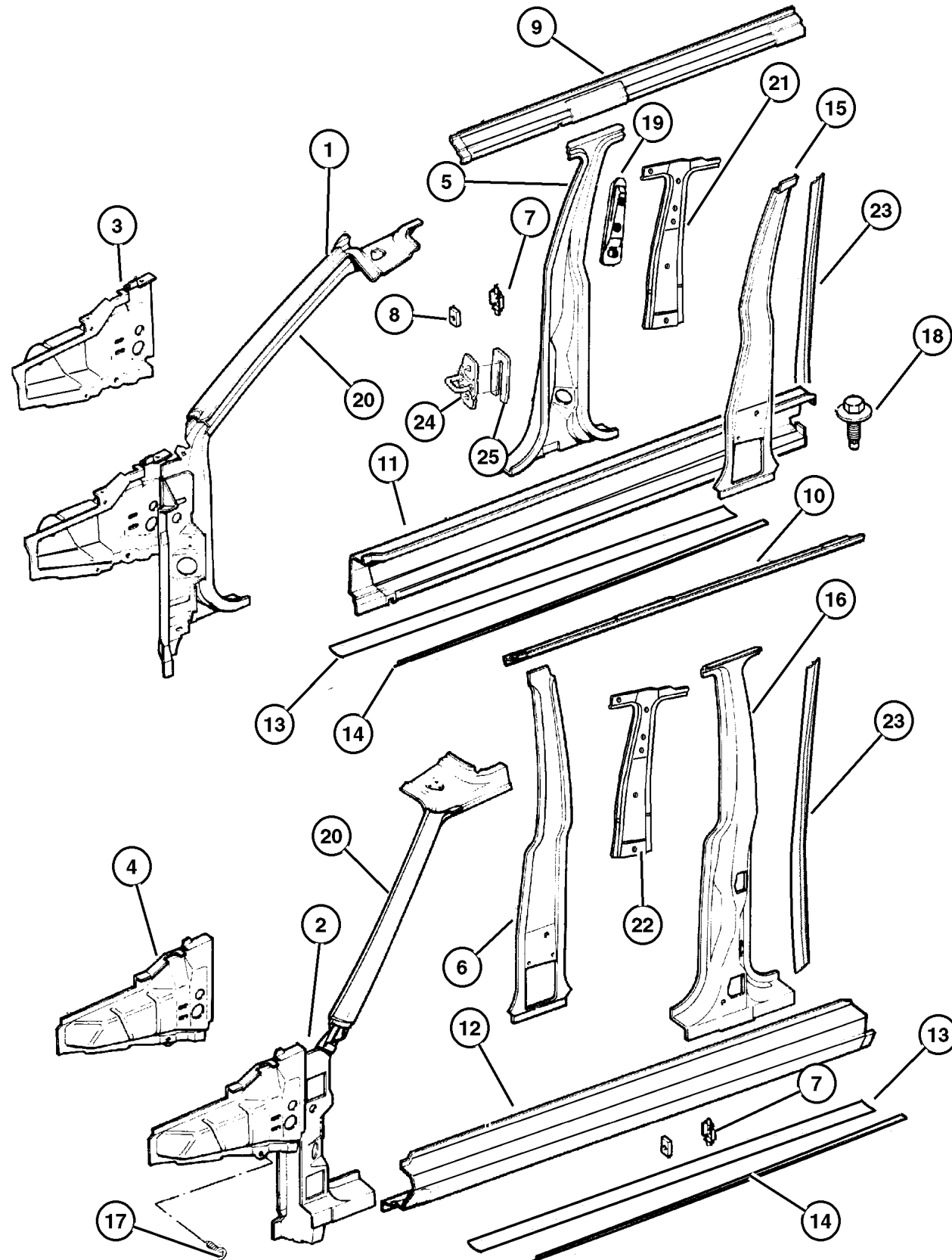
ITEM	PART NUMBER	QTY	LINE	BODY	DESCRIPTION
1					PILLAR, Front
	#55235 620AC	1	J, T, U	72	Right
	#55235 621AC	1	J, T, U	72	Left
2					PANEL, Cowl Side
	55175 506AB	1	J, T, U	72	Right
	55175 507AB	1	J, T, U	72	Left
3					RAIL, Roof Side
	5534 5844	1	J, T, U	72	Right
	5534 5845	1	J, T, U	72	Left
4					PANEL, Rocker Extension
	5523 5088	1	J, T, U	72	Right
	5523 5089	1	J, T, U	72	Left
5					SEAL, Rocker Panel, (NOT REQUIRED)
6					RIVET, Blind Expansion (R-Lok), (NOT SERVICED)
7	6101 455	2			SCREW AND WASHER, Hex Head, M6x1x20
8					REINFORCEMENT, Front Pillar
	55235 640AB	1	J, T, U	72	Right
	55235 641AB	1	J, T, U	72	Left
-9	#55363 274AA	1			LABEL, Mercury Warning, B Pillar Below The Striker

JEEP CHEROKEE (XJ)				
SERIES	LINE	BODY	ENGINE	TRANSMISSION
P=Classic	J=LHD (4WD)	74=4 Dr.(101.4WB)	ENC,EN0=2.5L 4 cyl. Turbo Die	DDD, DDQ=5 spd. Man.
S=Limited	U=RHD (4WD)	72=2 Dr.(101.4WB)	ERH,ER0=4.0L Power Tech I-6	DGS=4 spd. Auto. AISIN
H=Sport	T=LHD (2WD)		EPE,EP0=Magnum 2.5L SMPI	DG0=All Auto/Trans.
L=SE	B=RHD (2WD)			DBB=All Manual Trans.

AR = Use as required - = Non illustrated part # = New this model year

April 5, 2002

**Panels, Body Side, 4 Door  
Figure SXJ-820**



ITEM	PART NUMBER	QTY	LINE	BODY	DESCRIPTION
1	#55235 620AC	1		74	PILLAR, Front, Right
2	#55235 621AC	1		74	PILLAR, Front, Left
3	55175 506AB	1		74	PANEL, Cowl Side, Right
4	55175 507AB	1		74	PANEL, Cowl Side, Left
5	5523 5466	1		74	PILLAR, Center
6	55235 695AB	1		74	REINFORCEMENT, Center Pillar
7	5525 6174	1		74	RETAINER, Door Lock Striker
8	4674 669	2		74	PLATE, Liftgate Striker
9	55235 328AB	1		74	RAIL, Roof Side, Right
10	55235 329AB	1		74	RAIL, Roof Side, Left
11	5523 5090	1		74	PANEL, Rocker Extension, Right
12	5523 5091	1		74	PANEL, Rocker Extension, Left
13					TAPE, Anti Chip, (NOT REQUIRED)
14					SEAL, Rocker Panel, (NOT REQUIRED)
15	55235 694AB	1		74	REINFORCEMENT, Center Pillar, Right
16	5523 5467	1		74	PILLAR, Center
17					RIVET, Blind Expansion (R-Lok), (NOT SERVICED)
18	6101 455	4			SCREW AND WASHER, Hex Head, M6x1x20
19	5523 5692	1		74	TAPPING PLATE, Shoulder Belt
20					REINFORCEMENT, Front Pillar
	55235 640AB	1		74	Right
	55235 641AB	1		74	Left
21	55235 288AB	1		74	REINFORCEMENT, Seat Belt, Right
22	55235 289AB	1		74	REINFORCEMENT, Seat Belt, Left
23	55235 791AB	2		74	WEATHERSTRIP, B Pillar Secondary
24	4520 288	2		74	STRIKER, Door Latch
25					SPACER, Door Latch Striker
	4520 289	AR			
	5507 5483	AR		74	2.0/2.5 Thick
-26	#55363 274AA	1			LABEL, Mercury Warning, B Pillar Below The Striker

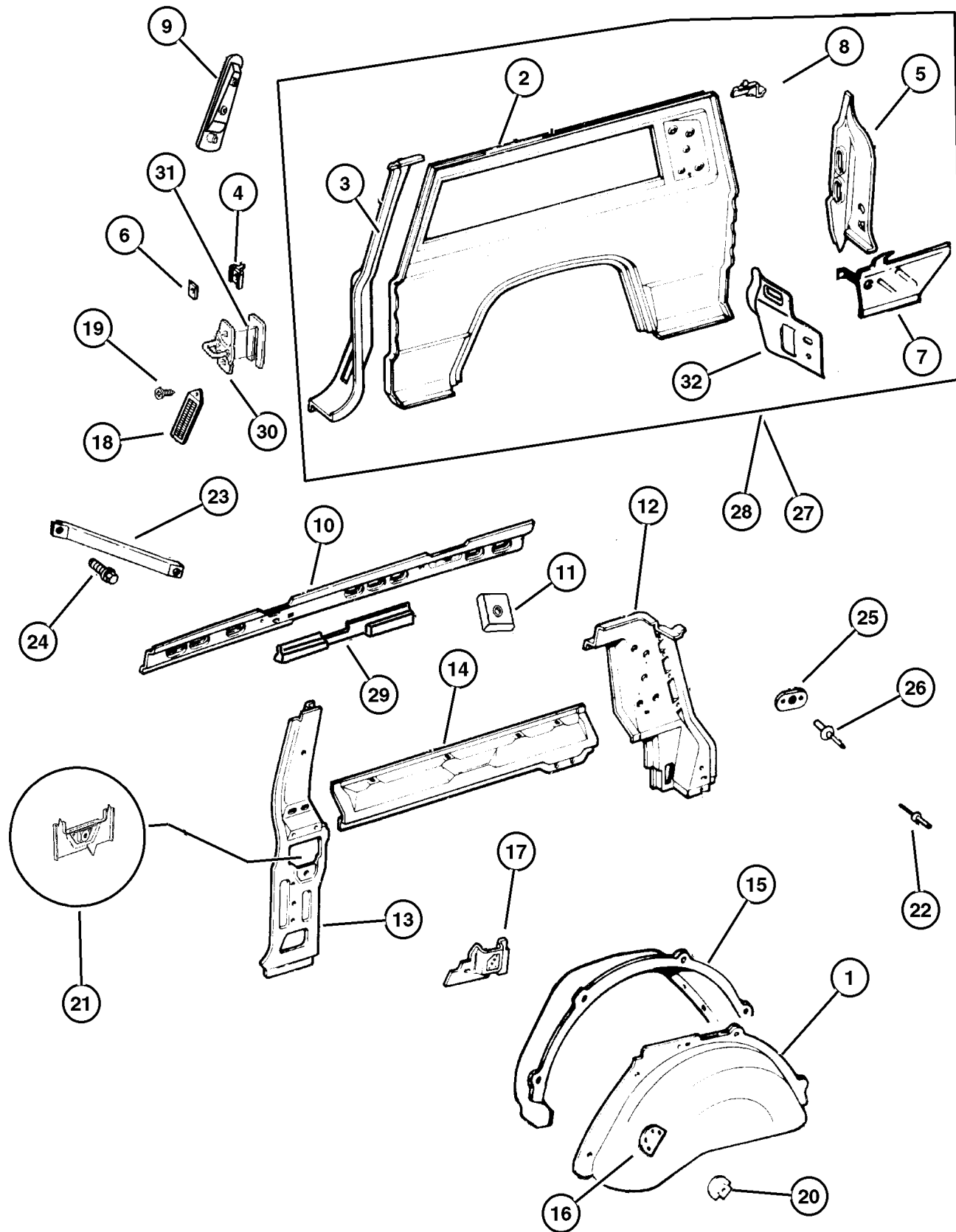
<b>JEEP CHEROKEE (XJ)</b>				
SERIES	LINE	BODY	ENGINE	TRANSMISSION
P=Classic	J=LHD (4WD)	74=4 Dr.(101.4WB)	ENC,EN0=2.5L 4 cyl. Turbo Die	DDD, DDQ=5 spd. Man.
S=Limited	U=RHD (4WD)	72=2 Dr.(101.4WB)	ERH,ER0=4.0L Power Tech I-6	DGS=4 spd. Auto. AISIN
H=Sport	T=LHD (2WD)		EPE,EP0=Magnum 2.5L SMPI	DG0=All Auto/Trans.
L=SE	B=RHD (2WD)			DBB=All Manual Trans.

AR = Use as required - = Non illustrated part # = New this model year

April 5, 2002



**Panels, Rear Quarter, 2 Door  
Figure SXJ-910**



ITEM	PART NUMBER	QTY	LINE	BODY	DESCRIPTION
1					WHEELHOUSE, Rear Inner
	5500 0147	1	J, T, U	72	Left
	5502 7694	1	J, T, U	72	Right
2					PANEL, Quarter
	5523 5426	1	J, T, U	72	Right
	5523 5427	1	J, T, U	72	Left
3					PILLAR, Rear Cargo Door Lock
	5517 5674	1	J, T, U	72	Right
	5517 5675	1	J, T, U	72	Left
4	4674 669	1	J, T, U	72	PLATE, Liftgate Striker
5					PANEL, Taillamp Mounting
	5523 5510	1	J, T, U	72	Right
	5523 5511	1	J, T, U	72	Left
6	4520 288	2			STRIKER, Door Latch
7					EXTENSION, Rear Floor Pan
	5517 5960	1	J, T, U	72	Right
	5517 5961	1	J, T, U	72	Left
8					EXTENSION, Quarter Panel
	5517 6082	1	J, T, U	72	Right
	5517 6083	1	J, T, U	72	Left
9	5523 5692	1	J, T, U	72	TAPPING PLATE, Shoulder Belt
10					RAIL, Roof Side
	55235 846AA	1	J, T, U	72	Right
	55235 847AA	1	J, T, U	72	Left
11	#4490 111	1	J, T, U	72	TAPPING PLATE
12					PILLAR, Liftgate Opening
	5517 6094	1	J, T, U	72	Right
	5517 6095	1	J, T, U	72	Left
13					REINFORCEMENT, Body Lock Pillar
	55345 808AB	1	J, T, U	72	Right
	55345 809AB	1	J, T, U	72	Left
14					RAIL, Rear Quarter Belt
	55235 382AB	1	J, T, U	72	Right
	55344 583AB	1	J, T, U	72	Left
15					WHEELHOUSE, Rear Outer
	5523 5346	1	J, T, U	72	Right
	5523 5347	1	J, T, U	72	Left
16	5502 6758	1	J, T, U	72	DOUBLER, Wheelhouse
17					BRACKET, Seat
	5500 1270	1	J, T, U	72	Right
	5500 1271	1	J, T, U	72	Left
18	5500 1980	2			EXHAUSTER, Quarter Panel
19					SCREW, .164-18x.437, (NOT SERVICED)

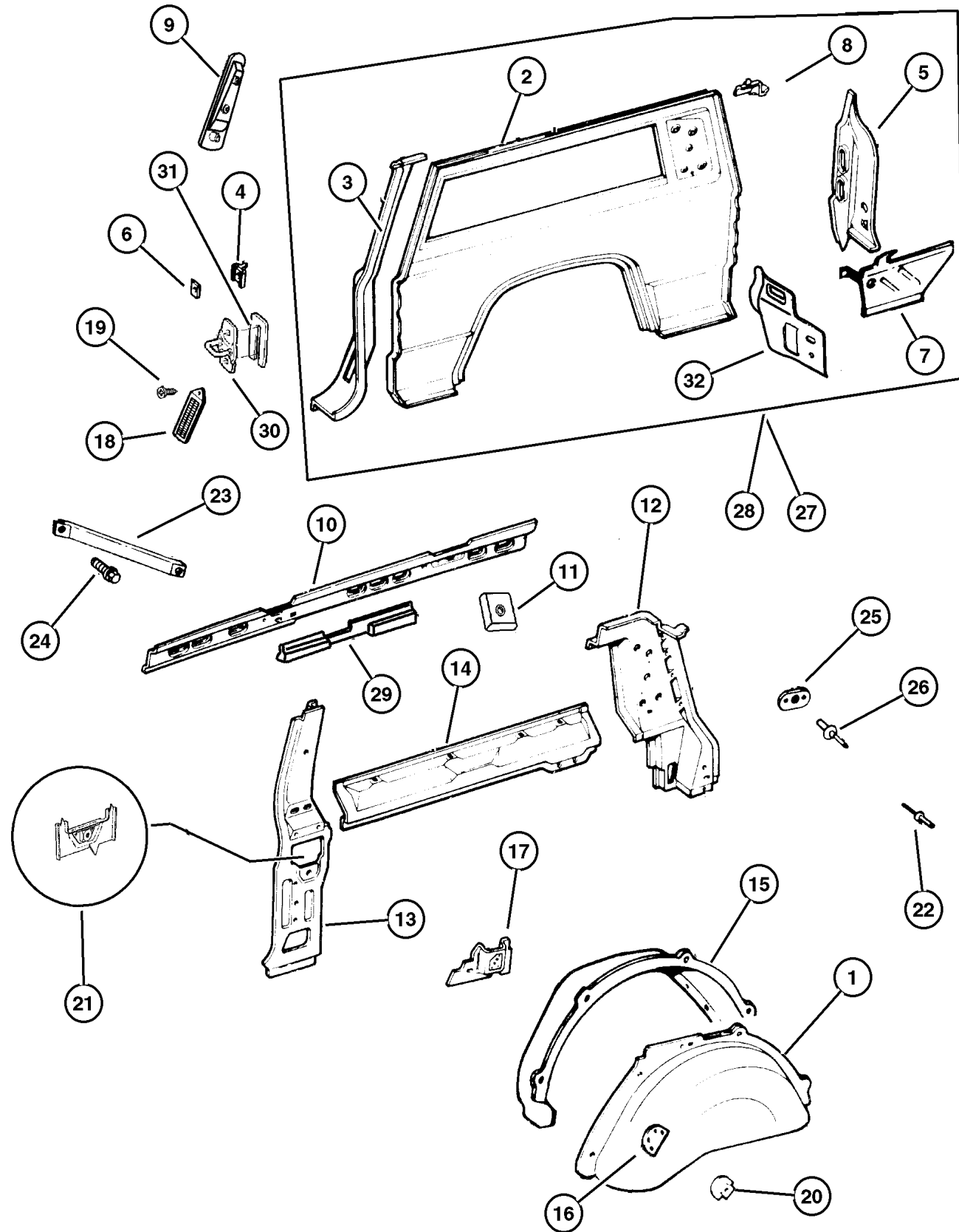
**JEEP CHEROKEE (XJ)**

SERIES	LINE	BODY	ENGINE	TRANSMISSION
P=Classic	J=LHD (4WD)	74=4 Dr.(101.4WB)	ENC,EN0=2.5L 4 cyl. Turbo Die	DDD, DDQ=5 spd. Man.
S=Limited	U=RHD (4WD)	72=2 Dr.(101.4WB)	ERH,ER0=4.0L Power Tech I-6	DGS=4 spd. Auto. AISIN
H=Sport	T=LHD (2WD)		EPE,EP0=Magnum 2.5L SMPI	DG0=All Auto/Trans.
L=SE	B=RHD (2WD)			DBB=All Manual Trans.

AR = Use as required - = Non illustrated part # = New this model year

April 5, 2002

**Panels, Rear Quarter, 2 Door  
Figure SXJ-910**



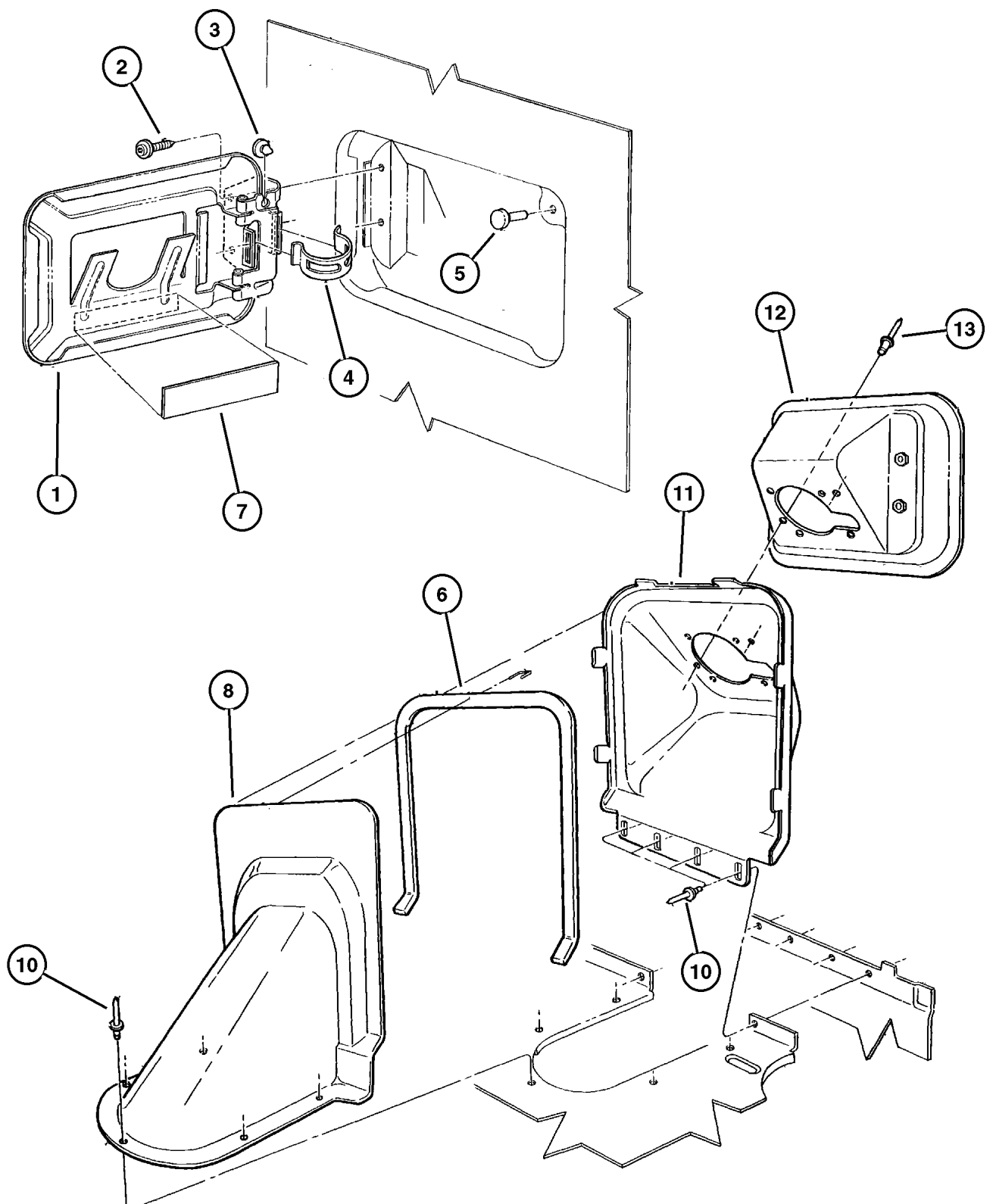
ITEM	PART NUMBER	QTY	LINE	BODY	DESCRIPTION
20	5500 1231	1	J, T, U	72	BRACKET, Seat
21	5534 5291	1	J, T, U	72	BRACKET, Seat Belt Retractor
22					RIVET, M4x12 Aluminum, (NOT REQUIRED)
23	5500 6218	2	J, T, U	72	BRACE, Door Lock
24	3420 2036	4	J, T, U	72	SCREW, Hex Head, M8x1.25x25
25	#4490 111	1	J, T, U	72	TAPPING PLATE
26	3420 1197	2			RIVET, Blind, M3.17x10.00
27	5523 5606	1	J, T, U	72	PANEL, Rear Body, Right
28	5523 5607	1	J, T, U	72	PANEL, Body Side, Left
29	55006 988AC	2	J, T, U	72	REINFORCEMENT
30	4520 288	2			STRIKER, Door Latch
31					SPACER, Door Latch Striker
	4520 289	AR			
	5507 5483	AR			2.0/2.5 Thick
32					REINFORCEMENT, Rear Corner Panel
	5523 5600	1	J, T, U	72	Right
	5523 5601	1	J, T, U	72	Left

JEEP CHEROKEE (XJ)				
SERIES	LINE	BODY	ENGINE	TRANSMISSION
P=Classic	J=LHD (4WD)	74=4 Dr.(101.4WB)	ENC,EN0=2.5L 4 cyl. Turbo Die	DDD, DDQ=5 spd. Man.
S=Limited	U=RHD (4WD)	72=2 Dr.(101.4WB)	ERH,ER0=4.0L Power Tech I-6	DGS=4 spd. Auto. AISIN
H=Sport	T=LHD (2WD)		EPE,EP0=Magnum 2.5L SMPI	DG0=All Auto/Trans.
L=SE	B=RHD (2WD)			DBB=All Manual Trans.

AR = Use as required - = Non illustrated part # = New this model year

April 5, 2002

### Fuel Filler Housing & Door Figure SXJ-920



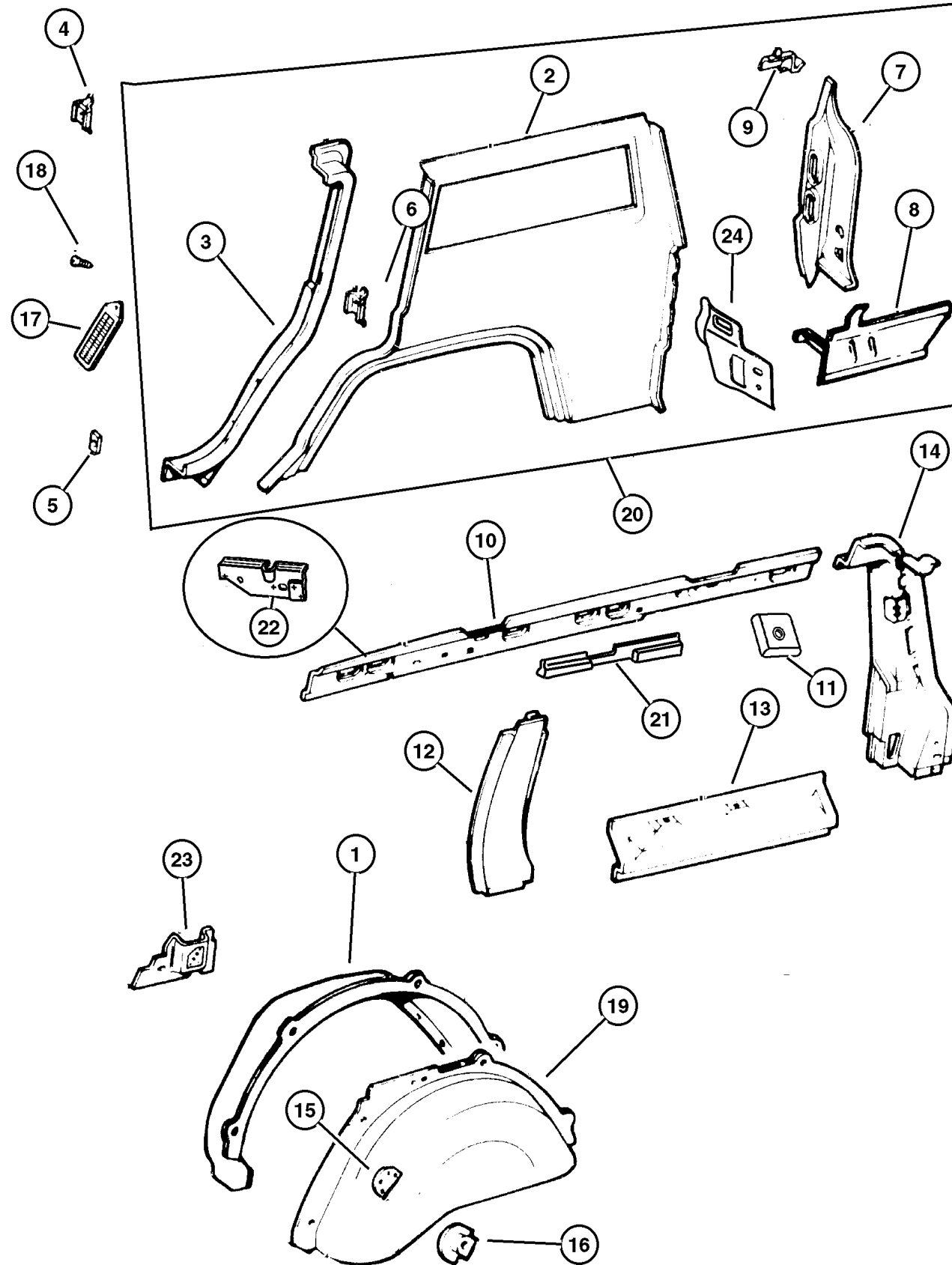
ITEM	PART NUMBER	QTY	LINE	BODY	DESCRIPTION
1	55000 819AD	1			DOOR, Fuel Fill
2	3420 1661	2			SCREW AND WASHER, Button Head
3	55235 953AA	1			BUMPER, Fuel Door
4	5500 4206	1			SPRING, Fuel Filler Door
5	55235 953AA	1			BUMPER, Fuel Door
6	5534 5178	1			SEAL, Fuel Filler Flange
7	J546 4900	1			LABEL, Fuel
8	5534 5623	1			HOUSING, Fuel Filler
-9	5534 5178	1			SEAL, Fuel Filler Flange
10	3420 1208	5			RIVET, M4.8x13.23
11	55235 533AC	1			EXTENSION, Fuel Filler Housing
12	52100 230AC	1	J, T, U	72	HOUSING, Fuel Filler
		1		74	
13	3420 1684	2			RIVET, M3.18x2.37

JEEP CHEROKEE (XJ)				
SERIES	LINE	BODY	ENGINE	TRANSMISSION
P=Classic	J=LHD (4WD)	74=4 Dr.(101.4WB)	ENC,EN0=2.5L 4 cyl. Turbo Die	DDD, DDQ=5 spd. Man.
S=Limited	U=RHD (4WD)	72=2 Dr.(101.4WB)	ERH,ER0=4.0L Power Tech I-6	DGS=4 spd. Auto. AISIN
H=Sport	T=LHD (2WD)		EPE,EP0=Magnum 2.5L SMPI	DG0=All Auto/Trans.
L=SE	B=RHD (2WD)			DBB=All Manual Trans.

AR = Use as required - = Non illustrated part # = New this model year

April 5, 2002

**Panels, Rear Quarter, 4 Door  
Figure SXJ-930**



ITEM	PART NUMBER	QTY	LINE	BODY	DESCRIPTION
1					WHEELHOUSE, Rear Outer
	5523 5346	1		74	Right
	5523 5347	1		74	Left
2					PANEL, Quarter
	5523 5424	1		74	Right
	5523 5425	1		74	Left
3					PILLAR, Front Door Lock
	5517 5672	1		74	Right
	5517 5673	1		74	Left
4	4674 669	2		74	PLATE, Liftgate Striker
5	4520 288	2			STRIKER, Door Latch
6	5525 6174	1		74	RETAINER, Door Lock Striker
7					PANEL, Taillamp Mounting
	5523 5510	1		74	Right
	5523 5511	1		74	Left
8					EXTENSION, Rear Floor Pan
	5517 5960	1		74	Right
	5517 5961	1		74	Left
9	5517 6084	1		74	EXTENSION, Quarter Panel, Right
10					RAIL, Roof Side
	55235 332AB	1		74	Right
	55235 333AB	1		74	Left
11	#4490 111	1		74	TAPPING PLATE
12					REINFORCEMENT, Body Lock Pillar
	55235 792AA	1		74	Right
	55235 793AA	1		74	Left
13					RAIL, Rear Quarter Belt
	55235 794AA	1		74	Right
	55235 795AA	1		74	Left
14					PILLAR, Liftgate Opening
	5517 6096	1		74	Right
	5517 6097	1		74	Left
15	5502 6758	1		74	DOUBLER, Wheelhouse
16	5500 1231	1		74	BRACKET, Seat
17	5500 1980	2			EXHAUSTER, Quarter Panel
18					SCREW, .164-18x.437, (NOT SERVICED)
19					WHEELHOUSE, Rear Inner
	5500 0147	1		74	Left
	5502 7694	1		74	Right
20					PANEL, Quarter
	5523 5604	1		74	Right
	5523 5605	1		74	Left

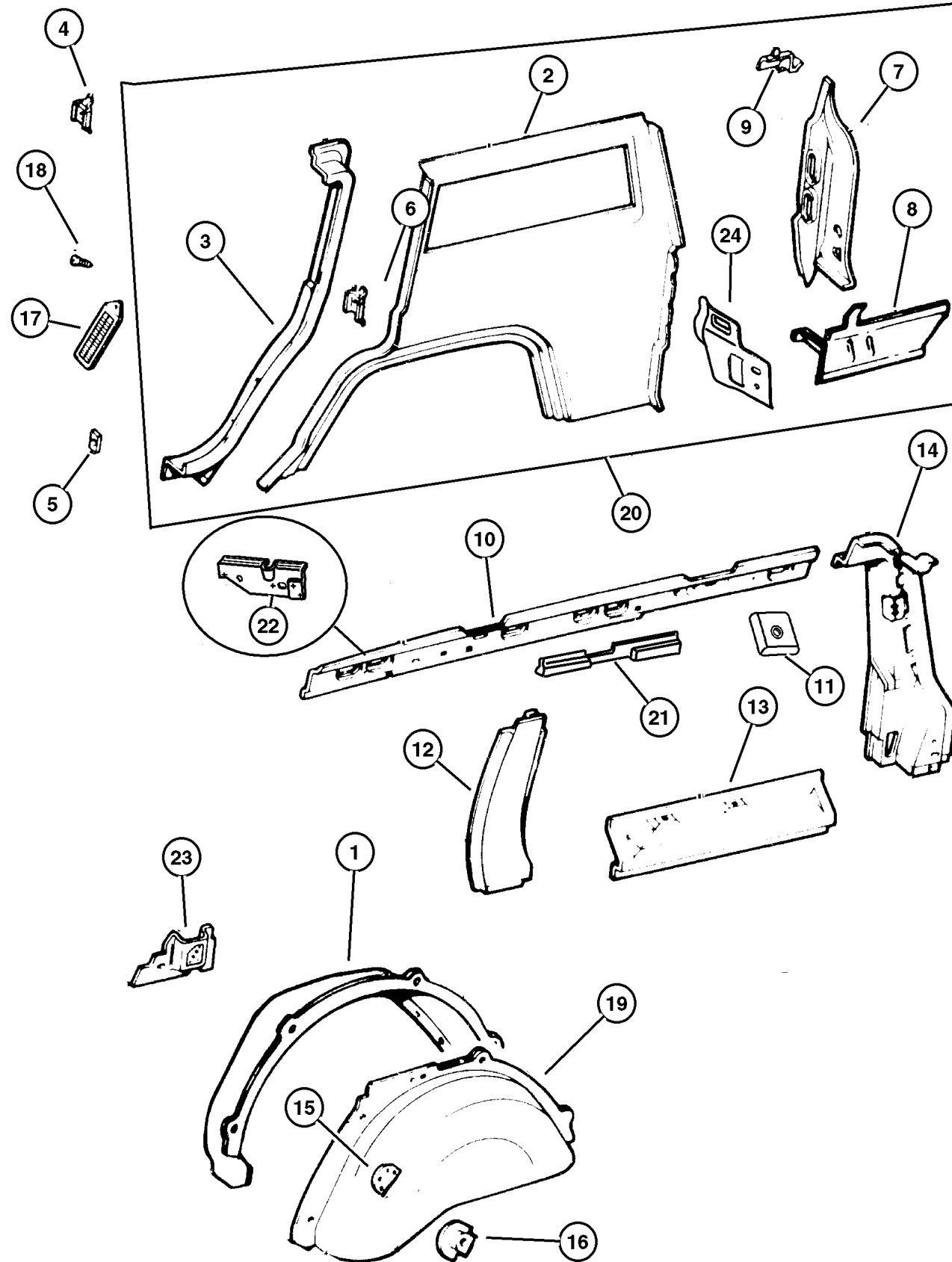
**JEEP CHEROKEE (XJ)**

SERIES	LINE	BODY	ENGINE	TRANSMISSION
P=Classic	J=LHD (4WD)	74=4 Dr.(101.4WB)	ENC,EN0=2.5L 4 cyl. Turbo Die	DDD, DDQ=5 spd. Man.
S=Limited	U=RHD (4WD)	72=2 Dr.(101.4WB)	ERH,ER0=4.0L Power Tech I-6	DGS=4 spd. Auto. AISIN
H=Sport	T=LHD (2WD)		EPE,EP0=Magnum 2.5L SMPI	DG0=All Auto/Trans.
L=SE	B=RHD (2WD)			DBB=All Manual Trans.

AR = Use as required - = Non illustrated part # = New this model year

April 5, 2002

Panels, Rear Quarter, 4 Door  
Figure SXJ-930



ITEM	PART NUMBER	QTY	LINE	BODY	DESCRIPTION
21	55006 988AC	2		74	REINFORCEMENT
22					REINFORCEMENT
	5523 5602	1		74	Right
	5523 5603	1		74	Left
23					BRACKET, Seat
	5500 1270	1		74	Right
	5500 1271	1		74	Left
24					REINFORCEMENT, Rear Corner Panel
	5523 5600	1		74	Right
	5523 5601	1		74	Left

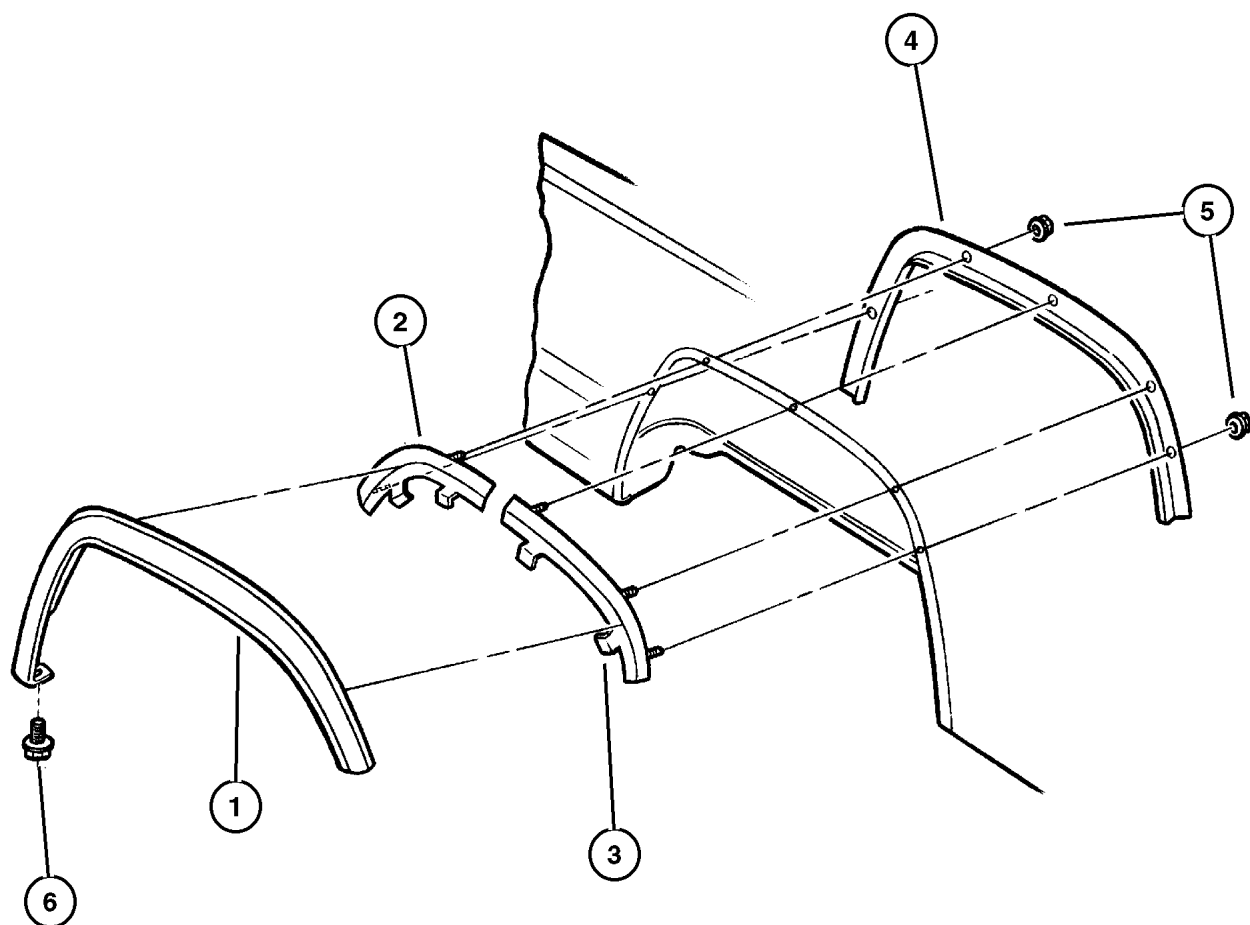
JEEP CHEROKEE (XJ)				
SERIES	LINE	BODY	ENGINE	TRANSMISSION
P=Classic	J=LHD (4WD)	74=4 Dr.(101.4WB)	ENC,EN0=2.5L 4 cyl. Turbo Die	DDD, DDQ=5 spd. Man.
S=Limited	U=RHD (4WD)	72=2 Dr.(101.4WB)	ERH,ER0=4.0L Power Tech I-6	DGS=4 spd. Auto. AISIN
H=Sport	T=LHD (2WD)		EPE,EP0=Magnum 2.5L SMPI	DG0=All Auto/Trans.
L=SE	B=RHD (2WD)			DBB=All Manual Trans.

AR = Use as required - = Non illustrated part # = New this model year

April 5, 2002

**Appliques, Rear Quarter Panel  
Figure SXJ-940**

ITEM	PART NUMBER	QTY	LINE	BODY	DESCRIPTION
1					APPLIQUE, Fender Wheel Opening
	5FW76 DX9AC	1			Flat Black, [K3Z], Right
	5FW77 DX9AC	1			Flat Black, K3Z], Left
	5FW74 DX8AC	1			Glossy Black, [K3X], Right
	5FW74 PR4AC	1			Flame Red, [K3R], Right
	5FW74 RJPAC	1			Medium Fern Green, [K3M], Right
	5FW74 SG8AC	1			Forest Green, [K3G], Right
	5FW74 SW1AC	1			Stone White, [K3N], Right
	5FW74 WBTAC	1			Patroit Blue, [K3B], Right
	5FW74 WTDAC	1			Dessert Sand, [K3S], Right
	5FW74 WU7AC	1			Sienna, [K3U], Right
	5FW74 XS5AC	1			Silvertone, [K3L], Right
	5FW75 DX8AC	1			Glossy Black, [K3X], Left
	5FW75 PR4AC	1			Flame Red, [K3R], Left
	5FW75 RJPAC	1			Medium Fern Green, [K3M], Left
	5FW75 SG8AC	1			Forest Green, [K3G], Left
	5FW75 SW1AC	1			Stone White, [K3N], Left
	5FW75 WBTAC	1			Patroit Blue, [K3B], Left
	5FW75 WTDAC	1			Dessert Sand, [K3S], Left
	5FW75 WU7AC	1			Sienna, [K3U], Left
	5FW75 XS5AC	1			Silvertone, [K3L], Left
2					RETAINER, Applique
	55155 678AC	1			Right
	55155 679AC	1			Left
3					RETAINER, Applique
	55155 680AC	1			Right
	55155 681AC	1			Left
4					LINER, Fender Side
	5517 5898	1			Right
	5517 5899	1			Left
5	J420 0408	10			NUT AND WASHER, Hex Nut-Coned Washer, M5 x 0.80
6	0153 185	2			SCREW, .164-18x.500



**JEEP CHEROKEE (XJ)**

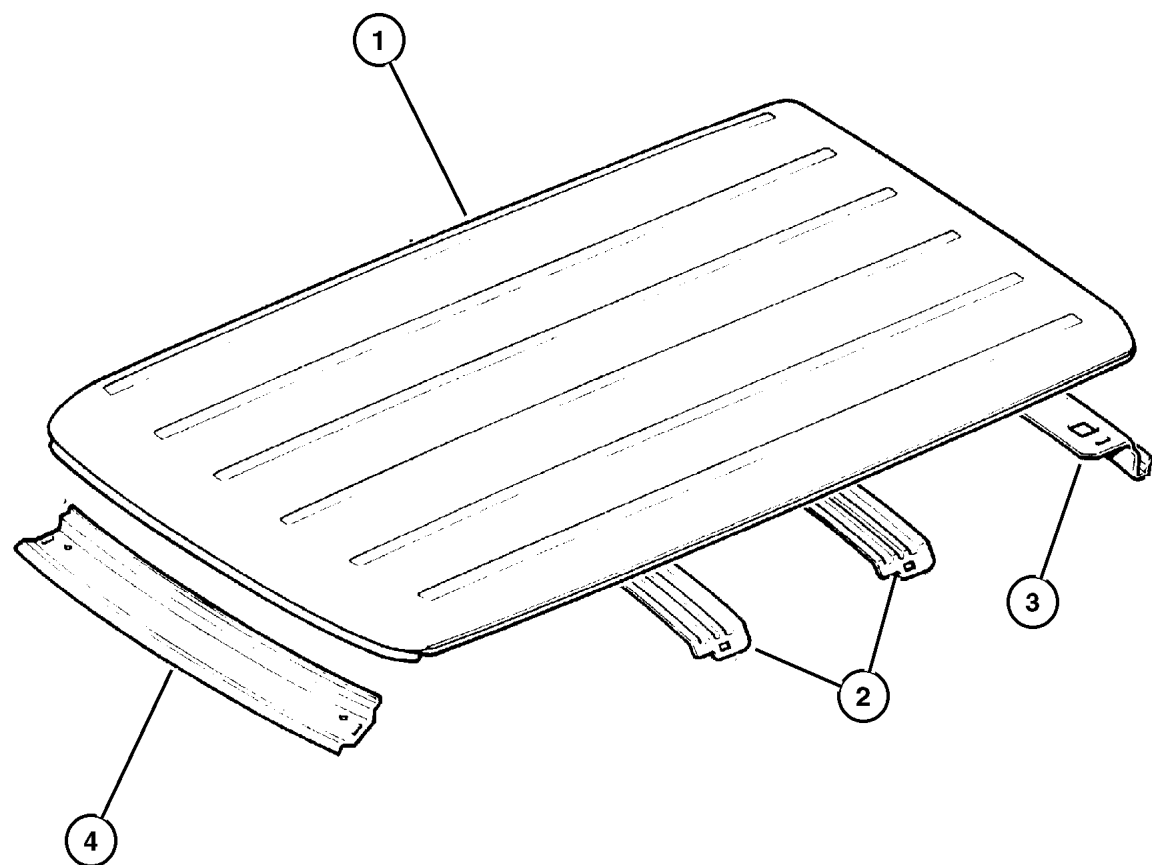
SERIES	LINE	BODY	ENGINE	TRANSMISSION
P=Classic	J=LHD (4WD)	74=4 Dr.(101.4WB)	ENC,EN0=2.5L 4 cyl. Turbo Die	DDD, DDQ=5 spd. Man.
S=Limited	U=RHD (4WD)	72=2 Dr.(101.4WB)	ERH,ER0=4.0L Power Tech I-6	DGS=4 spd. Auto. AISIN
H=Sport	T=LHD (2WD)		EPE,EP0=Magnum 2.5L SMPI	DG0=All Auto/Trans.
L=SE	B=RHD (2WD)			DBB=All Manual Trans.

AR = Use as required - = Non illustrated part # = New this model year

April 5, 2002

**Roof Panel  
Figure SXJ-1110**

ITEM	PART NUMBER	QTY	LINE	BODY	DESCRIPTION
1	5517 5156	1			PANEL, Roof, With or Without Luggage Rack. Only One Roof Used In Production.
2	55000 138AB	2			SUPPORT, Roof
3	#55176 169AE	1			PANEL, Liftgate
4	5523 5339	1			HEADER, Windshield

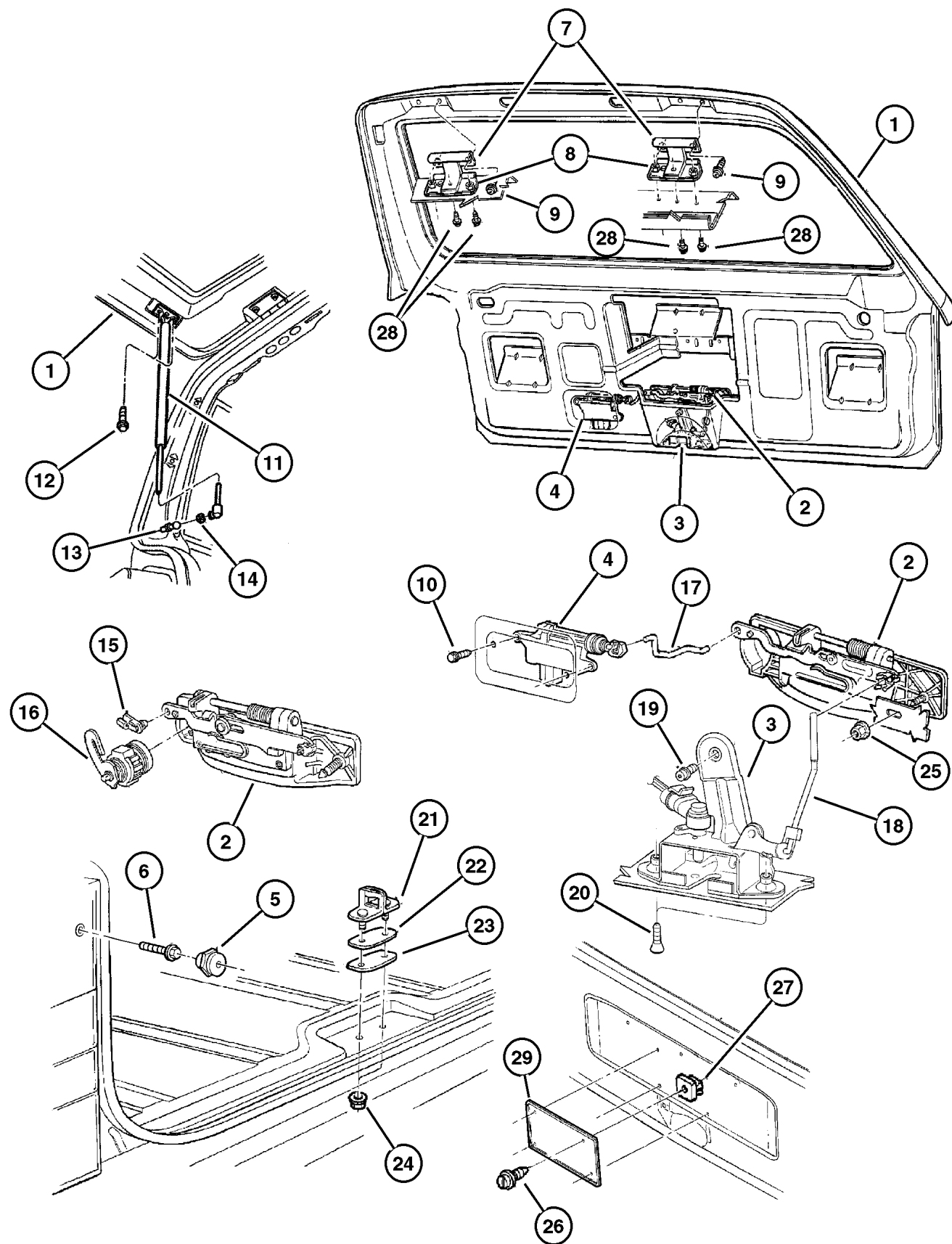


<b>JEEP CHEROKEE (XJ)</b>				
SERIES	LINE	BODY	ENGINE	TRANSMISSION
P=Classic	J=LHD (4WD)	74=4 Dr.(101.4WB)	ENC,EN0=2.5L 4 cyl. Turbo Die	DDD, DDQ=5 spd. Man.
S=Limited	U=RHD (4WD)	72=2 Dr.(101.4WB)	ERH,ER0=4.0L Power Tech I-6	DGS=4 spd. Auto. AISIN
H=Sport	T=LHD (2WD)		EPE,EP0=Magnum 2.5L SMPI	DG0=All Auto/Trans.
L=SE	B=RHD (2WD)			DBB=All Manual Trans.

AR = Use as required - = Non illustrated part # = New this model year

April 5, 2002

## Lift Door, Latch and Hinges Figure SXJ-1310



ITEM	PART NUMBER	QTY	LINE	BODY	DESCRIPTION
1	55174 895AF	1			LIFTGATE
2	55076 016AE	1			HANDLE, Liftgate
3	55235 643AB	1			LATCH, Liftgate
4	55295 716AB	1			ACTUATOR, Liftgate Lock
5	5525 4847	2			BUMPER, Liftgate
6	6035 646	2			BOLT, Hex Head, .312-18
7	55076 225AC	2			HINGE, Liftgate
8	5523 5699	2			SEAL, Hinge
9	6503 757	4			SCREW AND WASHER, Hex Head, M8-1.25x22.00
10					SCREW, [.250-14x.750], (NOT SERVICED)
11	5507 6208	2			PROP, Liftgate
12					SCREW, M6x1.00x20, (NOT SERVICED)
13	55075 205AB	2			BALL STUD, Liftgate Glass
14					WASHER, (NOT SERVICED)
15	4658 677	1			CLIP, Latch Link
16					LOCK CYLINDER, Decklid, See Group 23c, (NOT SERVICED)
17	5507 6377	1			LINK, Latch Locking
18	5507 5860	1			ROD, Liftgate Handle to Latch
19	6503 154	1			SCREW AND WASHER, Round Head, M8x1.25x20
20	6502 623	2			SCREW, Flat Head, M8x1.25x23
21	5529 6077	1			STRIKER, Door Latch
22	55235 844AA	AR			STRIKER, Seal Plate
23	55235 842AA	1			STRIKER, Seal Plate
24	6101 761	2			NUT, Coned Washer, M10 x 1.50
25	6501 730	1			NUT, Retainer, M6 x 1.00
26	6502 407	4			SCREW AND WASHER, Hex Head, M6x1x20
27					NUT, (NOT SERVICED)
28	6506 458AA	4			SCREW AND WASHER, Hex Head, M8x1.25x25
29					LICENSE PLATE KIT, (NOT SERVICED)

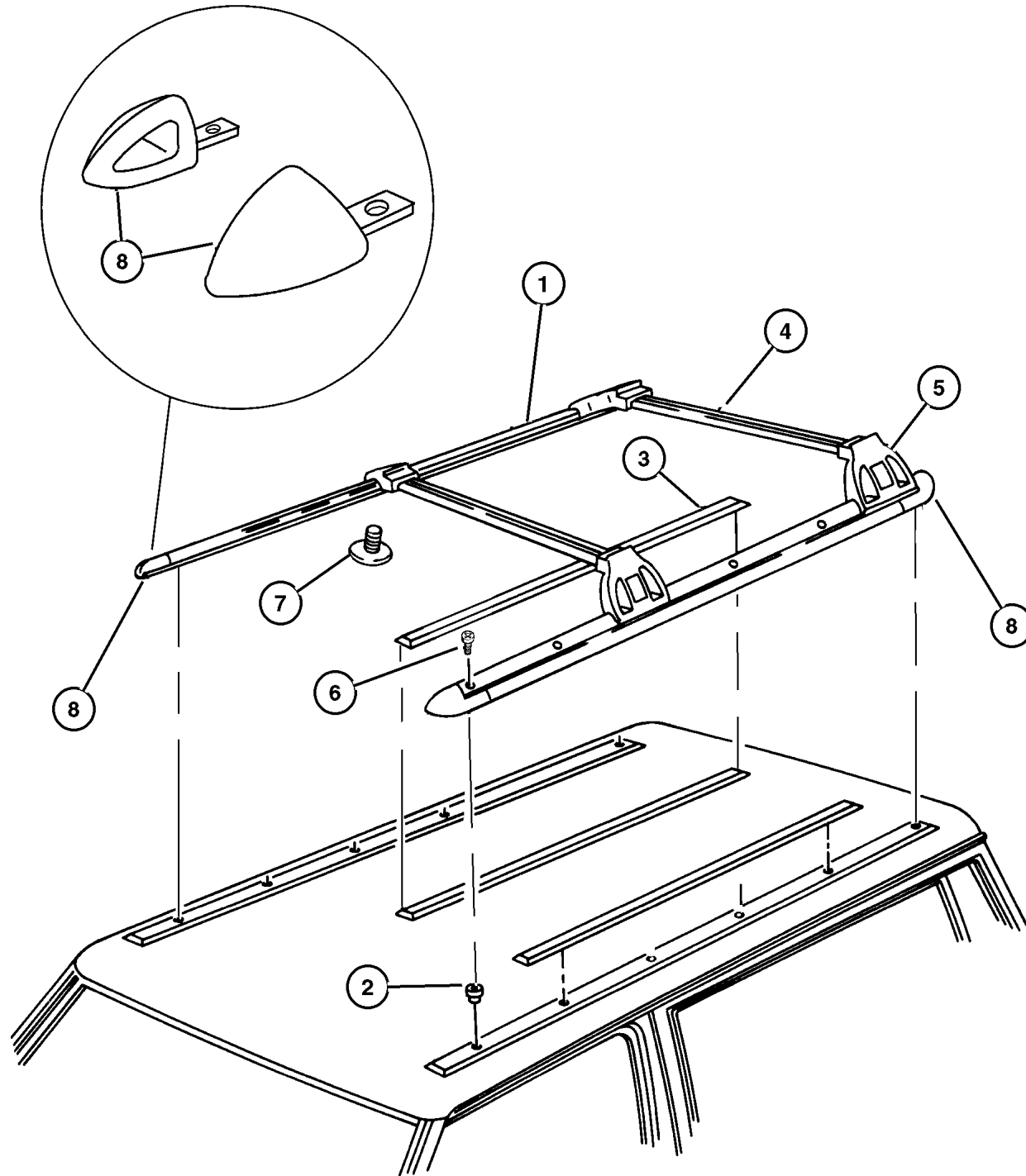
JEEP CHEROKEE (XJ)				
SERIES	LINE	BODY	ENGINE	TRANSMISSION
P=Classic	J=LHD (4WD)	74=4 Dr.(101.4WB)	ENC,EN0=2.5L 4 cyl. Turbo Die	DDD, DDQ=5 spd. Man.
S=Limited	U=RHD (4WD)	72=2 Dr.(101.4WB)	ERH,ER0=4.0L Power Tech I-6	DGS=4 spd. Auto. AISIN
H=Sport	T=LHD (2WD)		EPE,EP0=Magnum 2.5L SMPI	DG0=All Auto/Trans.
L=SE	B=RHD (2WD)			DBB=All Manual Trans.

AR = Use as required - = Non illustrated part # = New this model year

April 5, 2002



Rack, Roof Luggage  
Figure SXJ-1610



ITEM	PART NUMBER	QTY	LINE	BODY	DESCRIPTION
1	55235 979AA	2			RAIL, Luggage Rack Side
2	6503 910	12			NUT
3	55075 106AB	4			SKID STRIP, Roof Rack
4	55235 978AA	2			CROSS BAR, Roof Rack
5					STANCHION, LUGG RACK CROSS RAIL
	55076 028AB	2			Right
	55076 029AB	2			Left
6	6505 937AA	10			SCREW, Pan Head
7	6035 499	4			SCREW, Pan Head Tapping, .242-10x.625
8					CAP, Side Rail
	55236 002AA	2			Right
	55236 003AA	2			

JEEP CHEROKEE (XJ)				
SERIES	LINE	BODY	ENGINE	TRANSMISSION
P=Classic	J=LHD (4WD)	74=4 Dr.(101.4WB)	ENC,EN0=2.5L 4 cyl. Turbo Die	DDD, DDQ=5 spd. Man.
S=Limited	U=RHD (4WD)	72=2 Dr.(101.4WB)	ERH,ER0=4.0L Power Tech I-6	DGS=4 spd. Auto. AISIN
H=Sport	T=LHD (2WD)		EPE,EP0=Magnum 2.5L SMPI	DG0=All Auto/Trans.
L=SE	B=RHD (2WD)			DBB=All Manual Trans.

AR = Use as required - = Non illustrated part # = New this model year

April 5, 2002